



**THE DATASHEET OF
ABTH32501PZ**

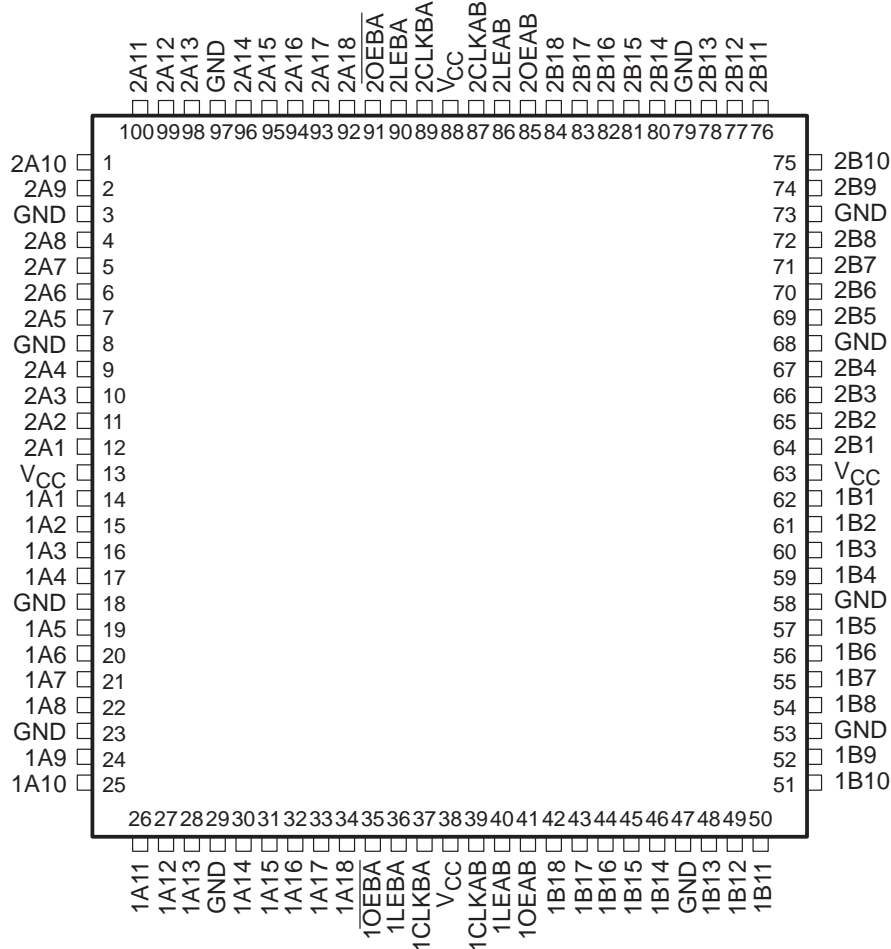


SN54ABTH32501, SN74ABTH32501 36-BIT UNIVERSAL BUS TRANSCEIVERS WITH 3-STATE OUTPUTS

SCBS229F – JUNE 1992 – REVISED MAY 1997

- Members of the Texas Instruments *Widebus+*™ Family
- State-of-the-Art *EPIC-II B*™ BiCMOS Design Significantly Reduces Power Dissipation
- *UBT*™ (Universal Bus Transceiver) Combines D-Type Latches and D-Type Flip-Flops for Operation in Transparent, Latched, or Clocked Mode
- ESD Protection Exceeds 2000 V Per MIL-STD-883, Method 3015; Exceeds 200 V Using Machine Model (C = 200 pF, R = 0)
- Latch-Up Performance Exceeds 500 mA Per JEDEC Standard JESD-17
- Released as DSCC SMD 5962-9557601NXD
- Typical V_{OLP} (Output Ground Bounce) < 0.8 V at $V_{CC} = 5$ V, $T_A = 25^\circ\text{C}$
- High-Impedance State During Power Up and Power Down
- Distributed V_{CC} and GND Pin Configuration Minimizes High-Speed Switching Noise
- High-Drive Outputs (–32-mA I_{OH} , 64-mA I_{OL})
- Bus Hold on Data Inputs Eliminates the Need for External Pullup/Pulldown Resistors
- Package Options Include 100-Pin Plastic Thin Quad Flat (PZ) Package With 14 × 14-mm Body Using 0.5-mm Lead Pitch and Space-Saving 100-Pin Ceramic Quad Flat (HS) Package†

†ABTH32501 . . . PZ PACKAGE
(TOP VIEW)



† The HS package is not production released.



Please be aware that an important notice concerning availability, standard warranty, and use in critical applications of Texas Instruments semiconductor products and disclaimers thereto appears at the end of this data sheet.

Widebus+, EPIC-II B, and UBT are trademarks of Texas Instruments Incorporated.

PRODUCTION DATA information is current as of publication date. Products conform to specifications per the terms of Texas Instruments standard warranty. Production processing does not necessarily include testing of all parameters.



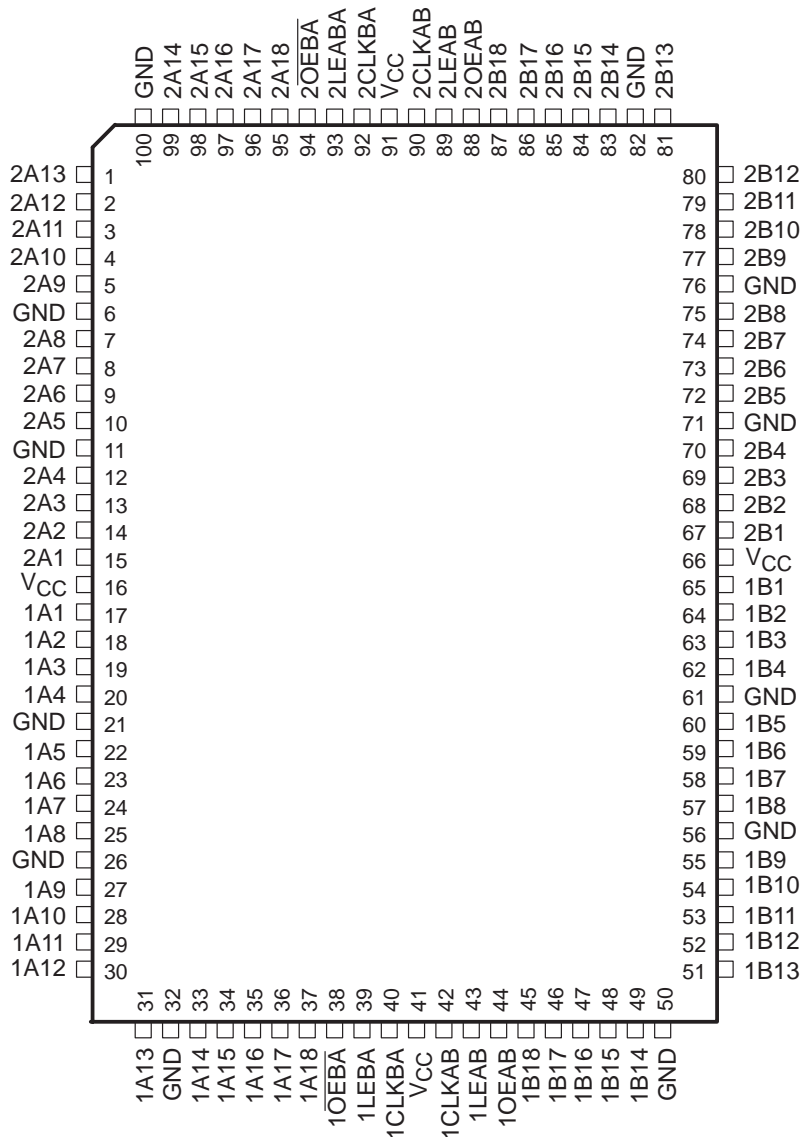
POST OFFICE BOX 655303 • DALLAS, TEXAS 75265

Copyright © 1997, Texas Instruments Incorporated

SN54ABTH32501, SN74ABTH32501 36-BIT UNIVERSAL BUS TRANSCEIVERS WITH 3-STATE OUTPUTS

SCBS229F – JUNE 1992 – REVISED MAY 1997

SN54ABTH32501 . . . HS PACKAGE† (TOP VIEW)



† For HS package availability, please contact the factory or your local TI Field Sales Office.



POST OFFICE BOX 655303 • DALLAS, TEXAS 75265

SN54ABTH32501, SN74ABTH32501 36-BIT UNIVERSAL BUS TRANSCEIVERS WITH 3-STATE OUTPUTS

SCBS229F – JUNE 1992 – REVISED MAY 1997

description

These 36-bit UBTs combine D-type latches and D-type flip-flops to allow data flow in transparent, latched, and clocked modes.

Data flow in each direction is controlled by output-enable (OEAB and \overline{OEBA}), latch-enable (LEAB and LEBA), and clock (CLKAB and CLKBA) inputs. For A-to-B data flow, the device operates in the transparent mode when LEAB is high. When LEAB is low, the A data is latched if CLKAB is held at a high or low logic level. If LEAB is low, the A data is stored in the latch/flip-flop on the low-to-high transition of CLKAB. Data flow for B to A is similar to that of A to B, but uses \overline{OEBA} , LEBA, and CLKBA.

Output-enable OEAB is active high. When OEAB is high, the outputs are active. When OEAB is low, the outputs are in the high-impedance state. The output enables are complementary (OEAB is active high, and \overline{OEBA} is active low).

When V_{CC} is between 0 and 2.1 V, the device is in the high-impedance state during power up or power down. However, to ensure the high-impedance state above 2.1 V, \overline{OE} should be tied to V_{CC} through a pullup resistor and OE should be tied to GND through a pull-down resistor; the minimum value of the resistor is determined by the current-sinking/current-sourcing capability of the driver.

Active bus-hold circuitry is provided to hold unused or floating data inputs at a valid logic level.

The SN54ABTH32501 is characterized for operation over the full military temperature range of -55°C to 125°C . The SN74ABTH32501 is characterized for operation from -40°C to 85°C .

FUNCTION TABLE†

INPUTS				OUTPUT
OEAB	LEAB	CLKAB	A	B
L	X	X	X	Z
H	H	X	L	L
H	H	X	H	H
H	L	↑	L	L
H	L	↑	H	H
H	L	H	X	B_0^{\ddagger}
H	L	L	X	B_0^{\S}

† A-to-B data flow is shown: B-to-A flow is similar, but uses \overline{OEBA} , LEBA, and CLKBA.

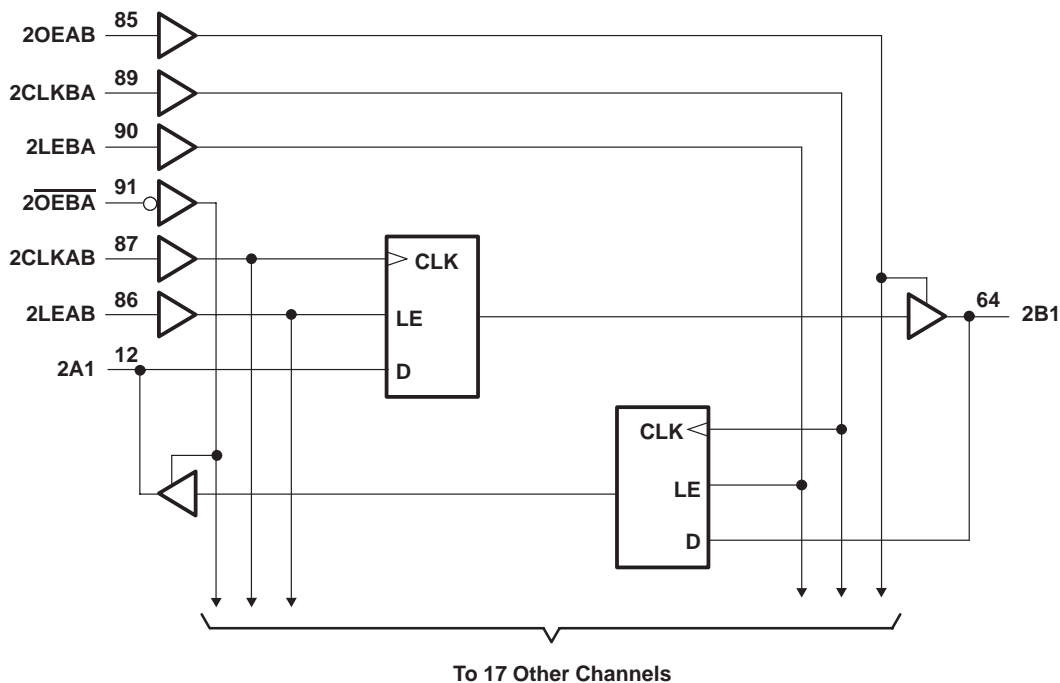
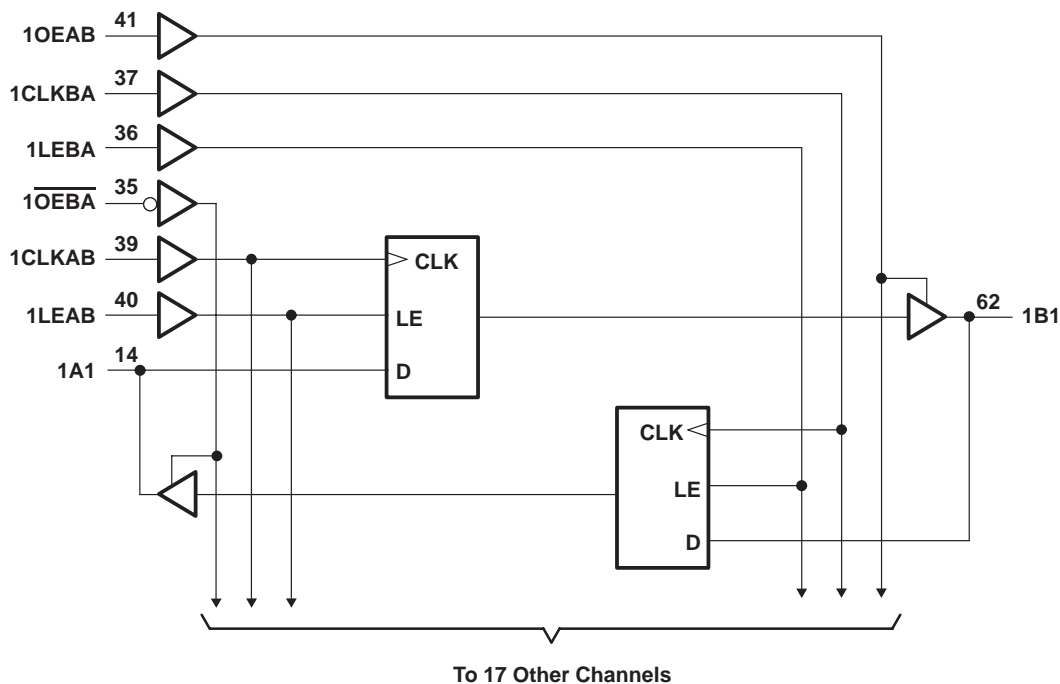
‡ Output level before the indicated steady-state input conditions were established

§ Output level before the indicated steady-state input conditions were established, provided that CLKAB was low before LEAB went low

SN54ABTH32501, SN74ABTH32501 36-BIT UNIVERSAL BUS TRANSCEIVERS WITH 3-STATE OUTPUTS

SCBS229F – JUNE 1992 – REVISED MAY 1997

logic diagram (positive logic)



Pin numbers shown are for the PZ package.



POST OFFICE BOX 655303 • DALLAS, TEXAS 75265

SN54ABTH32501, SN74ABTH32501 36-BIT UNIVERSAL BUS TRANSCEIVERS WITH 3-STATE OUTPUTS

SCBS229F – JUNE 1992 – REVISED MAY 1997

absolute maximum ratings over operating free-air temperature range (unless otherwise noted)†

Supply voltage range, V_{CC}	–0.5 V to 7 V
Input voltage range, V_I (except I/O ports) (see Note 1)	–0.5 V to 7 V
Voltage range applied to any output in the high or power-off state, V_O	–0.5 V to 5.5 V
Current into any output in the low state, I_O : SN54ABTH32501	96 mA
SN74ABTH32501	128 mA
Input clamp current, I_{IK} ($V_I < 0$)	–18 mA
Output clamp current, I_{OK} ($V_O < 0$)	–50 mA
Package thermal impedance, θ_{JA} (see Note 2): PZ package	50°C/W
Storage temperature range, T_{stg}	–65°C to 150°C

† Stresses beyond those listed under “absolute maximum ratings” may cause permanent damage to the device. These are stress ratings only, and functional operation of the device at these or any other conditions beyond those indicated under “recommended operating conditions” is not implied. Exposure to absolute-maximum-rated conditions for extended periods may affect device reliability.

- NOTES: 1. The input and output negative-voltage ratings may be exceeded if the input and output clamp-current ratings are observed.
2. The package thermal impedance is calculated in accordance with EIA/JEDEC Std JESD51.

recommended operating conditions (see Note 3)

		SN54ABTH32501		SN74ABTH32501		UNIT
		MIN	MAX	MIN	MAX	
V_{CC}	Supply voltage	4.5	5.5	4.5	5.5	V
V_{IH}	High-level input voltage	2		2		V
V_{IL}	Low-level input voltage		0.8		0.8	V
V_I	Input voltage	0	V_{CC}	0	V_{CC}	V
I_{OH}	High-level output current		–24		–32	mA
I_{OL}	Low-level output current		48		64	mA
$\Delta t/\Delta v$	Input transition rise or fall rate	Outputs enabled		10	10	ns/V
$\Delta t/\Delta V_{CC}$	Power-up ramp rate	200		200		μ s/V
T_A	Operating free-air temperature	–55	125	–40	85	°C

NOTE 3: Unused control pins must be held high or low to prevent them from floating.



SN54ABTH32501, SN74ABTH32501
36-BIT UNIVERSAL BUS TRANSCEIVERS
WITH 3-STATE OUTPUTS

SCBS229F – JUNE 1992 – REVISED MAY 1997

electrical characteristics over recommended operating free-air temperature range (unless otherwise noted)

PARAMETER		TEST CONDITIONS	SN54ABTH32501			SN74ABTH32501			UNIT	
			MIN	TYP†	MAX	MIN	TYP†	MAX		
V _{IK}		V _{CC} = 4.5 V, I _I = -18 mA			-1.2			-1.2	V	
V _{OH}		V _{CC} = 4.5 V, I _{OH} = -3 mA	2.5			2.5			V	
		V _{CC} = 5 V, I _{OH} = -3 mA	3			3				
		V _{CC} = 4.5 V, I _{OH} = -24 mA	2				2			
V _{OL}		V _{CC} = 4.5 V, I _{OL} = 48 mA			0.55			0.55	V	
		V _{CC} = 4.5 V, I _{OL} = 64 mA						0.55		
V _{hys}			100			100			mV	
I _I	Control inputs	V _{CC} = 0 to 5.5 V, V _I = V _{CC} or GND						±1	μA	
	A or B ports	V _{CC} = 2.1 V to 5.5 V, V _I = V _{CC} or GND						±20		
	Control inputs	V _{CC} = 5.5 V, V _I = V _{CC} or GND			±5					
	A or B ports	V _{CC} = 5.5 V, V _I = V _{CC} or GND			±50					
I _{I(hold)}	A or B ports	V _{CC} = 4.5 V, V _I = 0.8 V	100			100			μA	
		V _{CC} = 4.5 V, V _I = 2 V	-100			-100				
I _{OZPU} ‡		V _{CC} = 0 to 2.1 V, V _O = 0.5 V to 2.7 V, OE or \overline{OE} = X			±50			±50	μA	
I _{OZPD} ‡		V _{CC} = 2.1 V to 0, V _O = 0.5 V to 2.7 V, OE or \overline{OE} = X			±50			±50	μA	
I _{off}		V _{CC} = 0, V _I or V _O ≤ 4.5 V						±100	μA	
I _{CEX}		V _{CC} = 5.5 V, V _O = 5.5 V, Outputs high			50			50	μA	
I _O §		V _{CC} = 5.5 V, V _O = 2.5 V	-50	-100	-180	-50	-100	-180	mA	
I _{CC}		V _{CC} = 5.5 V, I _O = 0, V _I = V _{CC} or GND	Outputs high			6	6			mA
			Outputs low			90	90			
			Outputs disabled			6	6			
ΔI _{CC} ¶		V _{CC} = 5.5 V, One input at 3.4 V, Other inputs at V _{CC} or GND			1			1	mA	
C _i	Control inputs	V _I = 2.5 V or 0.5 V			3.5			3.5	pF	
C _{io}	A or B ports	V _O = 2.5 V or 0.5 V			11.5			11.5	pF	

† All typical values are at V_{CC} = 5 V, T_A = 25°C.

‡ This parameter is specified by characterization.

§ Not more than one output should be tested at a time, and the duration of the test should not exceed one second.

¶ This is the increase in supply current for each input that is at the specified TTL voltage level rather than V_{CC} or GND.

timing requirements over recommended ranges of supply voltage and operating free-air temperature (unless otherwise noted) (see Figure 1)

			SN54ABTH32501		SN74ABTH32501		UNIT
			MIN	MAX	MIN	MAX	
f _{clock}	Clock frequency		0	150	0	150	MHz
t _w	Pulse duration	LE high	3.5		3.3		ns
		CLK high or low	3.5		3.3		
t _{su}	Setup time	A or B before CLK↑	4.3		3.5		ns
		A or B before LE↓	2.5		1.6		
t _h	Hold time	A or B after CLK↑	0.2		0		ns
		A or B after LE↓	1.8		1.6		



SN54ABTH32501, SN74ABTH32501
36-BIT UNIVERSAL BUS TRANSCEIVERS
WITH 3-STATE OUTPUTS

SCBS229F – JUNE 1992 – REVISED MAY 1997

switching characteristics over recommended ranges of supply voltage and operating free-air temperature, $C_L = 50$ pF (unless otherwise noted) (see Figure 1)

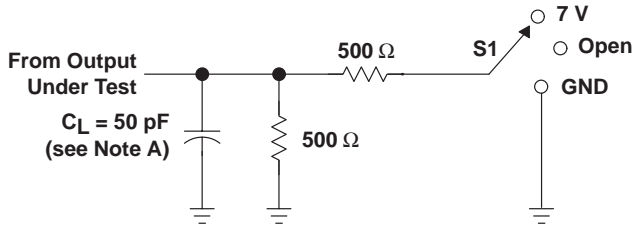
PARAMETER	FROM (INPUT)	TO (OUTPUT)	SN54ABTH32501			SN74ABTH32501			UNIT
			MIN	TYP†	MAX	MIN	TYP†	MAX	
f_{max}			150			150			MHz
t_{PLH}	A or B	B or A	0.5	2.9	5.2	1.3	2.9	4.8	ns
t_{PHL}			0.5	2.7	5.8	1.4	2.7	5.4	
t_{PLH}	LEAB or LEBA	A or B	0.7	3.4	5.7	1.6	3.4	5.3	ns
t_{PHL}			0.7	3.6	5.9	1.9	3.6	5.5	
t_{PLH}	CLKAB or CLKBA	A or B	0.5	3.2	5.7	1.5	3.2	5.3	ns
t_{PHL}			0.7	3.3	5.8	1.7	3.3	5.4	
t_{PZH}	OEAB or \overline{OEBA}	A or B	0.5	3.2	6.2	1.2	3.2	5.6	ns
t_{PZL}			0.5	3.6	6.6	1.5	3.6	6	
t_{PHZ}	OEAB or \overline{OEBA}	A or B	0.7	3.6	7	1.8	3.6	5.9	ns
t_{PLZ}			0.7	3.5	6.1	1.7	3.5	5.6	

† All typical values are at $V_{CC} = 5$ V, $T_A = 25^\circ\text{C}$.

SN54ABTH32501, SN74ABTH32501
36-BIT UNIVERSAL BUS TRANSCEIVERS
WITH 3-STATE OUTPUTS

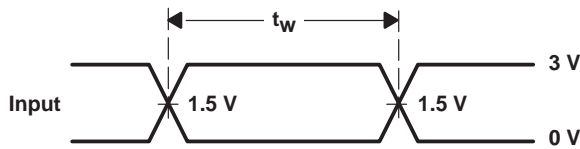
SCBS229F – JUNE 1992 – REVISED MAY 1997

PARAMETER MEASUREMENT INFORMATION

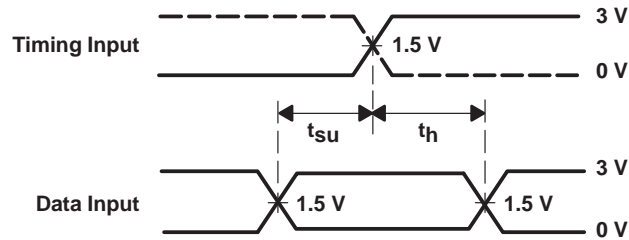


LOAD CIRCUIT

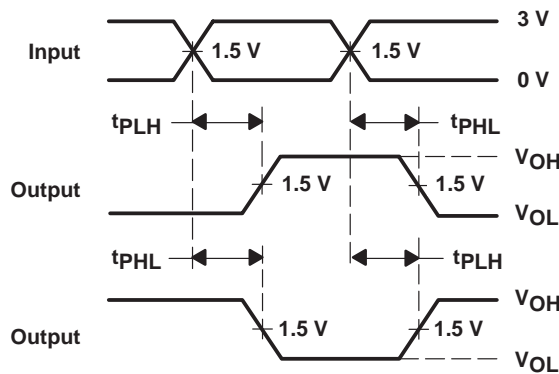
TEST	S1
t_{PLH}/t_{PHL}	Open
t_{PLZ}/t_{PZL}	7 V
t_{PHZ}/t_{PZH}	Open



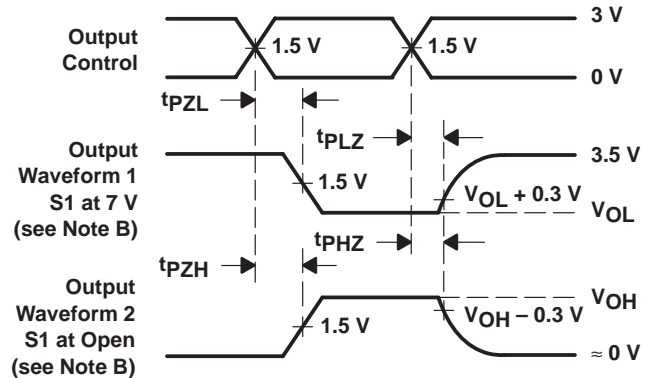
VOLTAGE WAVEFORMS
PULSE DURATION



VOLTAGE WAVEFORMS
SETUP AND HOLD TIMES



VOLTAGE WAVEFORMS
PROPAGATION DELAY TIMES
INVERTING AND NONINVERTING OUTPUTS



VOLTAGE WAVEFORMS
ENABLE AND DISABLE TIMES
LOW- AND HIGH-LEVEL ENABLING

- NOTES: A. C_L includes probe and jig capacitance.
 B. Waveform 1 is for an output with internal conditions such that the output is low except when disabled by the output control. Waveform 2 is for an output with internal conditions such that the output is high except when disabled by the output control.
 C. All input pulses are supplied by generators having the following characteristics: $PRR \leq 10 \text{ MHz}$, $Z_O = 50 \Omega$, $t_r \leq 2.5 \text{ ns}$, $t_f \leq 2.5 \text{ ns}$.
 D. The outputs are measured one at a time with one transition per measurement.

Figure 1. Load Circuit and Voltage Waveforms

IMPORTANT NOTICE

Texas Instruments and its subsidiaries (TI) reserve the right to make changes to their products or to discontinue any product or service without notice, and advise customers to obtain the latest version of relevant information to verify, before placing orders, that information being relied on is current and complete. All products are sold subject to the terms and conditions of sale supplied at the time of order acknowledgement, including those pertaining to warranty, patent infringement, and limitation of liability.

TI warrants performance of its semiconductor products to the specifications applicable at the time of sale in accordance with TI's standard warranty. Testing and other quality control techniques are utilized to the extent TI deems necessary to support this warranty. Specific testing of all parameters of each device is not necessarily performed, except those mandated by government requirements.

CERTAIN APPLICATIONS USING SEMICONDUCTOR PRODUCTS MAY INVOLVE POTENTIAL RISKS OF DEATH, PERSONAL INJURY, OR SEVERE PROPERTY OR ENVIRONMENTAL DAMAGE ("CRITICAL APPLICATIONS"). TI SEMICONDUCTOR PRODUCTS ARE NOT DESIGNED, AUTHORIZED, OR WARRANTED TO BE SUITABLE FOR USE IN LIFE-SUPPORT DEVICES OR SYSTEMS OR OTHER CRITICAL APPLICATIONS. INCLUSION OF TI PRODUCTS IN SUCH APPLICATIONS IS UNDERSTOOD TO BE FULLY AT THE CUSTOMER'S RISK.

In order to minimize risks associated with the customer's applications, adequate design and operating safeguards must be provided by the customer to minimize inherent or procedural hazards.

TI assumes no liability for applications assistance or customer product design. TI does not warrant or represent that any license, either express or implied, is granted under any patent right, copyright, mask work right, or other intellectual property right of TI covering or relating to any combination, machine, or process in which such semiconductor products or services might be or are used. TI's publication of information regarding any third party's products or services does not constitute TI's approval, warranty or endorsement thereof.

Looking for pricing, stock, or lifecycle information?

Click below to explore more details on WIN SOURCE:

 [View ABTH32501PZ on WIN SOURCE](#)

 [Texas Instruments](#) Information

Optimize Your Supply Chain with WIN SOURCE Solutions

-  Global Sourcing Solution
-  Obsolete Management
-  Cost Control Management
-  Shortage Management
-  Alternative Solution
-  Excess Inventory Management