



**THE DATASHEET OF  
AAT3190IKS-T1**



**Positive/Negative Charge Pump for Voltage Bias**

**General Description**

The AAT3190 charge pump controller provides the regulated positive and negative voltage biases required by active matrix thin-film transistor (TFT) liquid-crystal displays (LCDs), charge-coupled device (CCD) sensors, and organic light emitting diodes (OLEDs). Two low-power charge pumps convert input supply voltages ranging from 2.7V to 5.5V into two independent output voltages.

The dual low-power charge pumps independently regulate a positive ( $V_{POS}$ ) and negative ( $V_{NEG}$ ) output voltage. These outputs use external diode and capacitor multiplier stages (as many stages as required) to regulate output voltages up to  $\pm 25V$ . Built-in soft-start circuitry prevents excessive in-rush current during start-up. A high switching frequency enables the use of small external capacitors. The device's shutdown feature disconnects the load from  $V_{IN}$  and reduces quiescent current to less than  $1.0\mu A$ .

The AAT3190 is available in a Pb-free MSOP-8 or TSOPJW-12 package and is specified over the  $-40^{\circ}C$  to  $+85^{\circ}C$  operating temperature range.

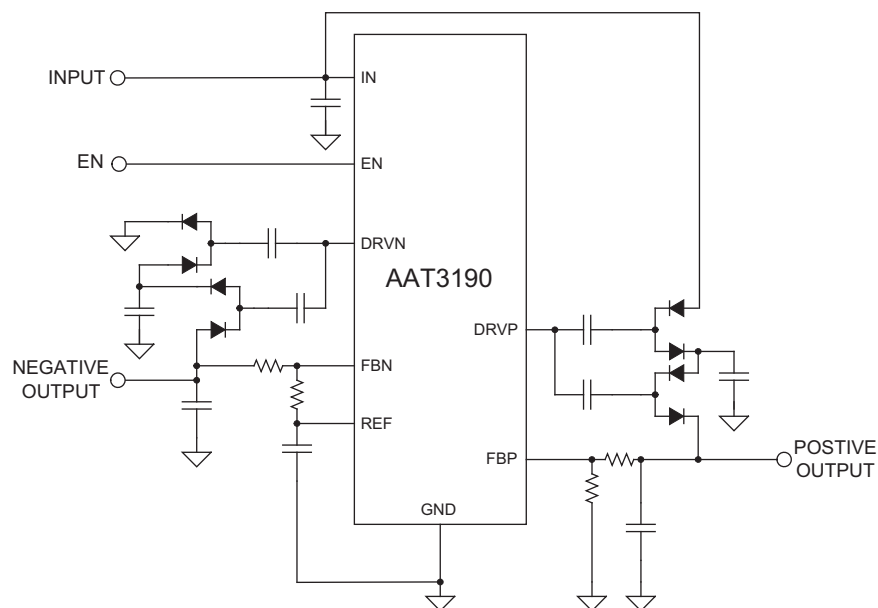
**Features**

- $V_{IN}$  Range: 2.7V to 5.5V
- Adjustable  $\pm$  Dual Charge Pump
- Positive Supply Output Up to +25V
- Negative Supply Output Down to -25V
- Up to 30mA Output Current
- 1.0MHz Switching Frequency
- $<1.0\mu A$  Shutdown Current
- Internal Power MOSFETs
- Internally Controlled Soft Start
- Fast Transient Response
- Ultra-Thin Solution (No Inductors)
- $-40^{\circ}C$  to  $+85^{\circ}C$  Temperature Range
- Available in 8-Pin MSOP or 12-Pin TSOPJW Package

**Applications**

- CCD Sensor Voltage Bias
- OLEDs
- Passive-Matrix Displays
- Personal Digital Assistants (PDAs)
- TFT Active-Matrix LCDs

**Typical Application**



**Positive/Negative Charge Pump for Voltage Bias**

**Pin Description**

Pin #		Symbol	Function
MSOP-8	TSOPJW-12		
1	5	FBP	Positive charge pump feedback input. Regulates to 1.2V nominal. Connect feedback resistive divider to analog ground (GND).
2	4	EN	Enable input. When EN is pulled low, the device shuts off and draws only 1.0μA. When high, it is in normal operation. Drive EN through an external resistor.
3	3	REF	Internal reference bypass terminal. Connect a 0.1μF capacitor from this terminal to analog ground (GND). External load capability to 50μA. REF is disabled in shutdown.
4	2	FBN	Negative charge pump regulator feedback input. Regulates to 0V nominal. Connect feedback resistive divider to the reference (REF).
5	12	DRV P	Positive charge pump driver output. Output high level is $V_{IN}$ and low level is PGND.
6	8, 9, 10, 11	GND	Ground.
7	7	DRV N	Negative charge pump driver output. Output high level is $V_{IN}$ and low level is PGND.
8	1	VIN	Input voltage: 2.7V to 5.5V.

**Pin Configuration**



**Positive/Negative Charge Pump for Voltage Bias****Absolute Maximum Ratings<sup>1</sup>**

Symbol	Description	Value	Units
$V_{IN}$	Input Voltage	-0.3 to 6	V
$V_{EN}$	EN to GND	-0.3 to 6	V
$V_{N\_CH}$	DRVN to GND	-0.3V to ( $V_{IN} + 0.3V$ )	V
$V_{P\_CH}$	DRVP to GND	-0.3V to ( $V_{IN} + 0.3V$ )	V
Other Inputs	REF, FBN, FBP to GND	-0.3V to ( $V_{IN} + 0.3V$ )	V
$I_{MAX}$	Continuous Current Into DRVN, DRVP	±200	mA
	All Other Pins	±10	
$T_J$	Operating Junction Temperature Range	-40 to 150	°C
$T_{LEAD}$	Maximum Soldering Temperature (at leads, 10 sec.)	300	°C

**Thermal Information<sup>2</sup>**

Symbol	Description	Value	Units
$\Theta_{JA}$	Thermal Resistance	MSOP-8	150
		TSOPJW-12	160
$P_D$	Maximum Power Dissipation ( $T_A = 25^\circ\text{C}$ )	MSOP-8 <sup>3</sup>	667
		TSOPJW-12 <sup>4</sup>	625

1. Stresses above those listed in Absolute Maximum Ratings may cause permanent damage to the device. Functional operation at conditions other than the operating conditions specified is not implied. Only one Absolute Maximum Rating should be applied at any one time.

2. Mounted on an FR4 board.

3. Derate 6.7mW/°C above 25°C.

4. Derate 6.25mW/°C above 25°C.

# DATA SHEET

# AAT3190

## Positive/Negative Charge Pump for Voltage Bias

### Electrical Characteristics

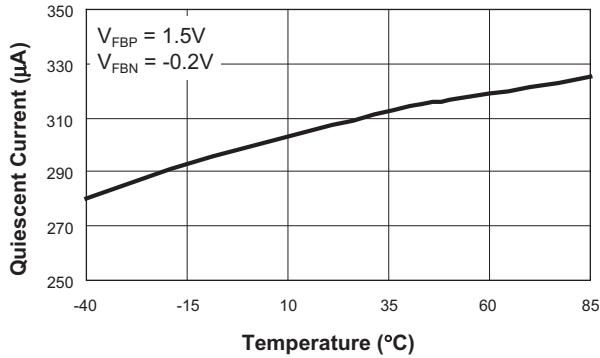
$V_{IN} = 5.0V$ ,  $C_{REF} = 0.1\mu F$ ,  $T_A = -40^\circ C$  to  $+85^\circ C$ . Unless otherwise noted, typical values are  $T_A = 25^\circ C$ .

Symbol	Description	Conditions	Min	Typ	Max	Units
$V_{IN}$	Input Supply Range		2.7		5.5	V
UVLO	Input Under-Voltage Threshold	$V_{IN}$ Rising		1.8		V
		$V_{IN}$ Falling, 40mV Hysteresis (typ)		1.6		
$I_{IN}$	Input Quiescent Supply Current	$V_{FBP} = 1.5V$ , $V_{FBN} = -0.2V$ , No Load on DRVN and DRVP		400	800	$\mu A$
$I_{SD}$	Shutdown Supply Current	$V_{EN} = 0V$		0.1	1.0	$\mu A$
$F_{OSC}$	Operating Frequency		0.8	1.0	1.2	MHz
<b>Negative Low-Power Charge Pump</b>						
$V_{FBN}$	FBN Regulation Voltage		-100	0	+100	mV
$I_{FBN}$	FBN Input Bias Current	$V_{FBN} = -50mV$	-100		+100	nA
$R_{DSNCHN}$	DRVN NCH On-Resistance			1.5	5.0	$\Omega$
$R_{DSPCHMIN}$	MIN DRVN PCH On-Resistance	$V_{FBP} = 100mV$ , $V_{IN} = 4V$		1.0	5.0	$\Omega$
$R_{DSPCHMAX}$	MAX DRVN PCH On-Resistance	$V_{FBN} = -100mV$ , $V_{IN} = 4V$		20		k $\Omega$
<b>Positive Low-Power Charge Pump</b>						
$V_{FBP}$	FBP Regulation Voltage		1.15	1.2	1.25	V
$I_{FBP}$	FBP Input Bias Current	$V_{FBP} = 1.5V$	-60		+100	nA
$R_{DSPCHP}$	DRVP PCH On-Resistance			1.0	5.0	$\Omega$
$R_{DSNCHMIN}$	MIN DRVP NCH On-Resistance	$V_{FBP} = 1.15V$ , $V_{IN} = 4V$		3	15	$\Omega$
$R_{DSNCHMAX}$	MAX DRVP NCH On-Resistance	$V_{FBP} = 1.25V$ , $V_{IN} = 4V$		20		k $\Omega$
<b>Reference</b>						
	Reference Voltage	$-2.0\mu A < I_{REF} < 50\mu A$	1.18	1.2	1.22	V
$V_{REF}$	Reference Under-Voltage Threshold	$V_{REF}$ Rising		0.8		V
<b>Logic Signals</b>						
$V_{IL}$	Input Low Voltage				0.5	V
$V_{IH}$	Input High Voltage		1.5			V
$I_{IL}$	Enable Input Low Current	$V_{IN} = 5.0V$ , $F_{BP} = 1.5V$ , $F_{BN} = -0.2V$			1	$\mu A$
$I_{IH}$	Enable Input High Current	$V_{IN} = 5.0V$ , $F_{BP} = 1.5V$ , $F_{BN} = -0.2V$			1	$\mu A$
<b>Thermal Limit</b>						
$T_{SD}$	Over-Temperature Shutdown Threshold			140		$^\circ C$
$T_{HYST}$	Over-Temperature Shutdown Hysteresis			15		$^\circ C$

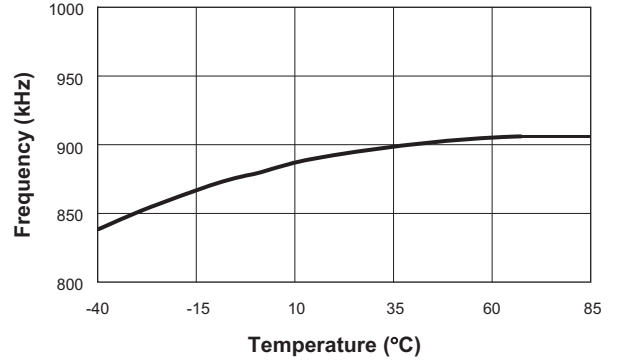
## Positive/Negative Charge Pump for Voltage Bias

### Typical Characteristics

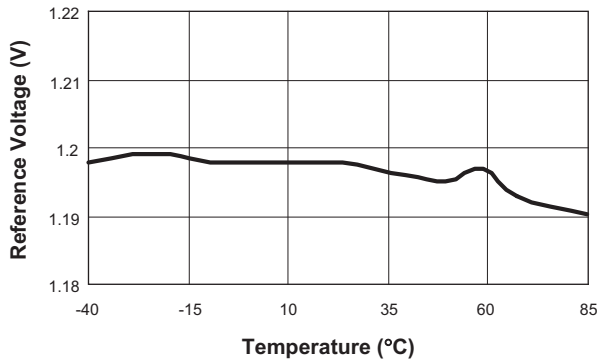
**Quiescent Current vs. Temperature**



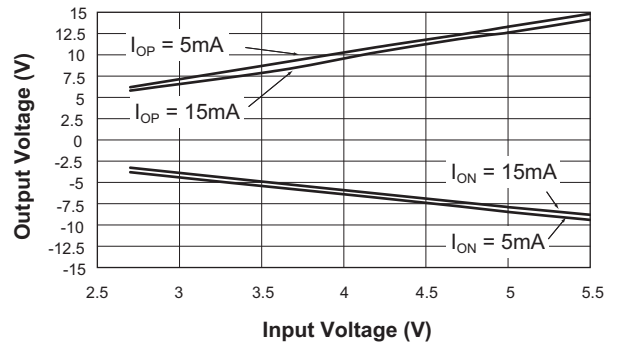
**Switching Frequency vs. Temperature**



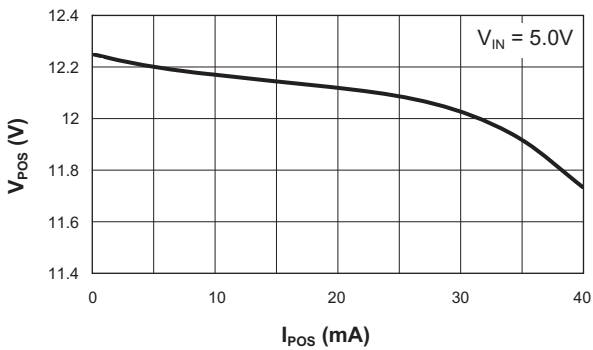
**Reference Voltage vs. Temperature**



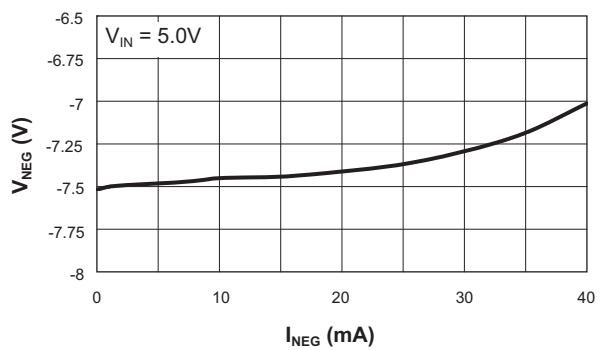
**Maximum  $V_{OUT}$  vs.  $V_{IN}$   
( $I_{OUT} = 5mA$  and  $15mA$ )**



**Positive Output Voltage vs. Load Current  
( $T = 85^\circ C$ )**



**Negative Output Voltage vs. Load Current  
( $T = 85^\circ C$ )**

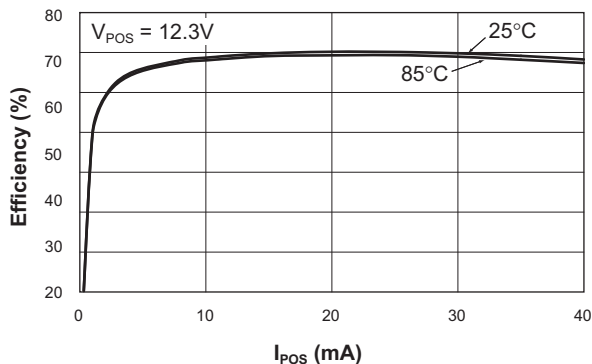


# AAT3190

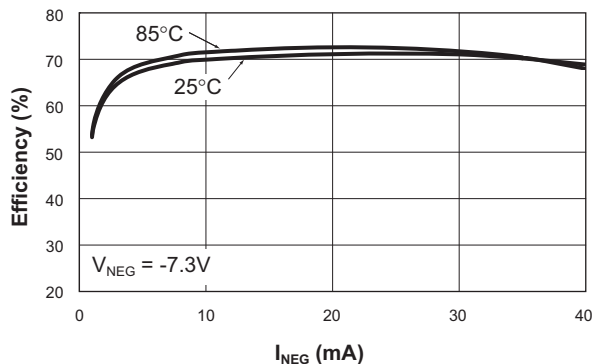
## Positive/Negative Charge Pump for Voltage Bias

### Typical Characteristics

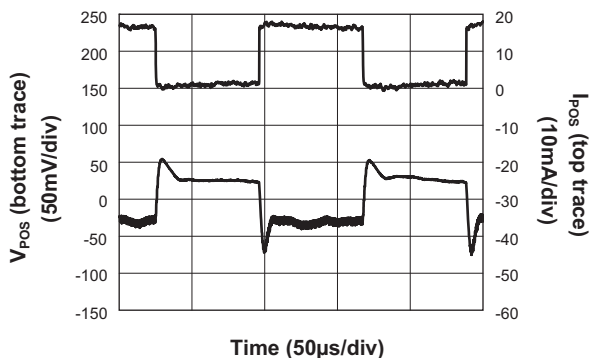
**Positive Output Efficiency vs. Load Current**  
( $V_{IN} = 5.0V$ )



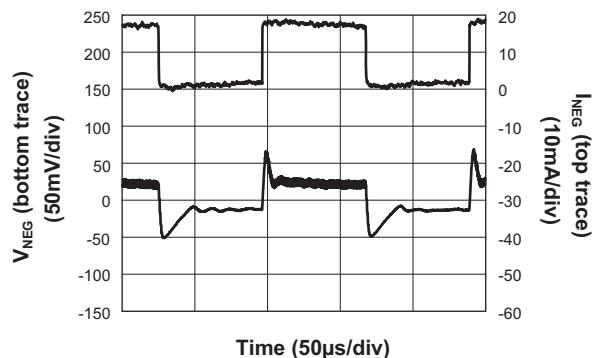
**Negative Output Efficiency vs. Load Current**  
( $V_{IN} = 5.0V$ )



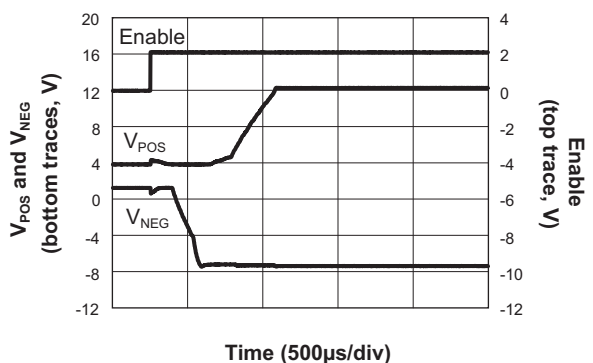
**V\_POS Load Transient**



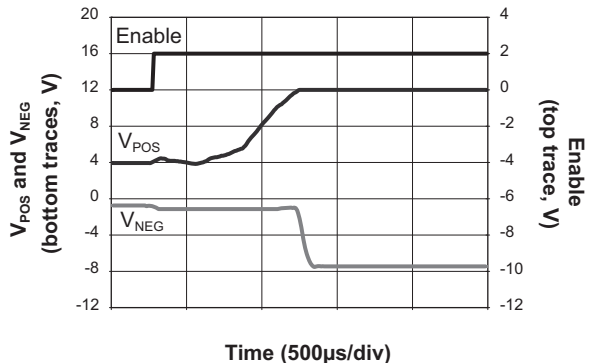
**V\_NEG Load Transient**



**AAT3190 Power-Up Sequence**



**AAT3190-1 Power-Up Sequence**

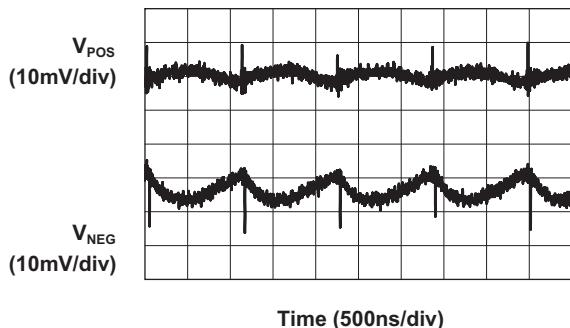


## Positive/Negative Charge Pump for Voltage Bias

### Typical Characteristics

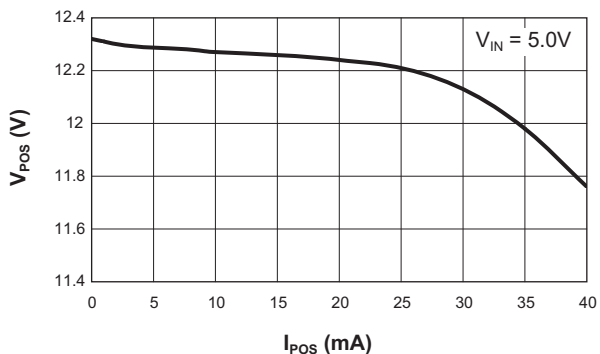
#### Output Ripple

( $V_{POS} = 12.3V$ ;  $I_{POS} = 5mA$ ;  $V_{NEG} = 7.2V$ ;  $I_{NEG} = 10mA$ )



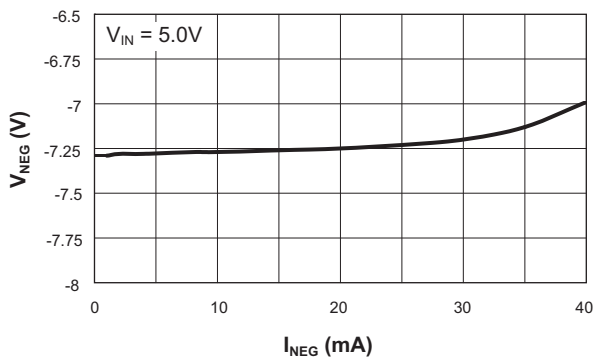
#### Positive Output Voltage vs. Load Current

( $T_A = 25^\circ C$ )



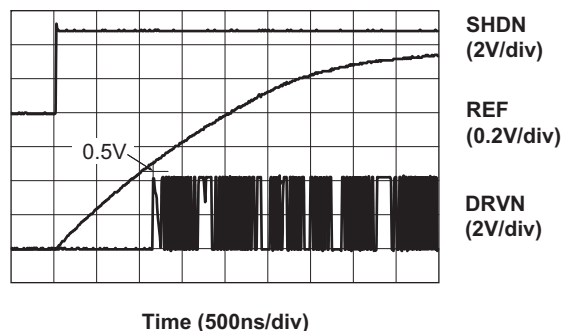
#### Negative Output Voltage vs. Load Current

( $T_A = 25^\circ C$ )

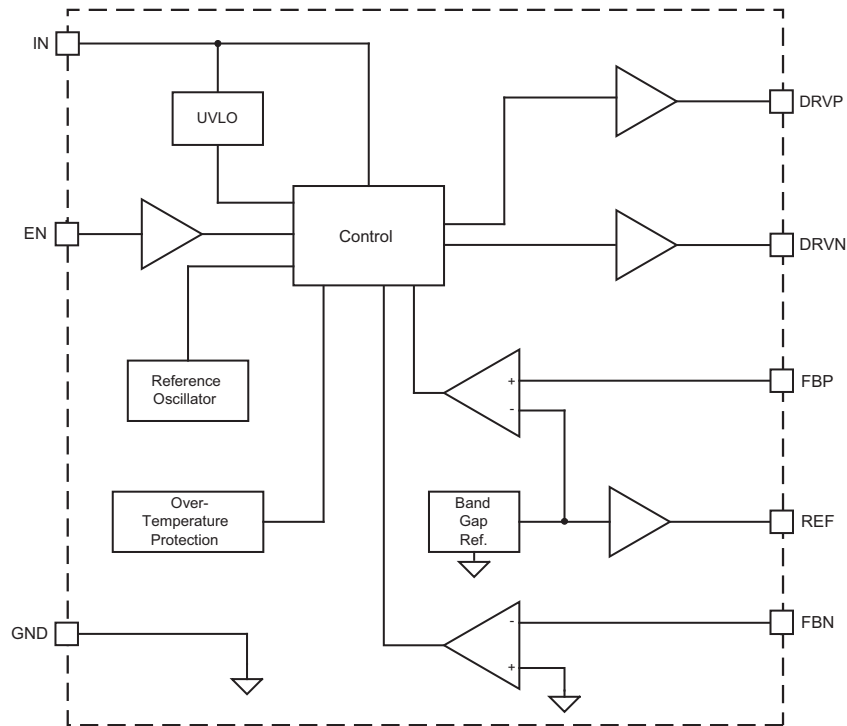


#### AAT3190 Reference Under-Voltage Threshold

(120 $\mu F$  capacitor placed across REF to limit rate of rise of REF for test purposes only)



## Functional Block Diagram



## Functional Description

### Dual Charge Pump Regulators

The AAT3190 provides low-power regulated output voltages from two individual charge pumps. Using a single stage, the first charge pump inverts the supply voltage ( $V_{IN}$ ) and provides a regulated negative output voltage. The second charge pump doubles  $V_{IN}$  and provides a regulated positive output voltage. These outputs use external Schottky diodes and capacitor multiplier stages (as many as required) to regulate up to  $\pm 25V$ . A constant switching frequency of 1MHz minimizes the output ripple and capacitor size.

### Negative Charge Pump

During the first half-cycle, the P-channel MOSFET turns on and the flying capacitor C7 charges to  $V_{IN}$  minus a diode drop (Figure 1). During the second half-cycle, the P-channel MOSFET turns off and the N-channel MOSFET turns on, level shifting C7. This connects C7 in parallel with the output reservoir capacitor C10. If the voltage across C10 minus a diode drop is less than the voltage across C7, current flows from C7 to C10 until the diode turns off.

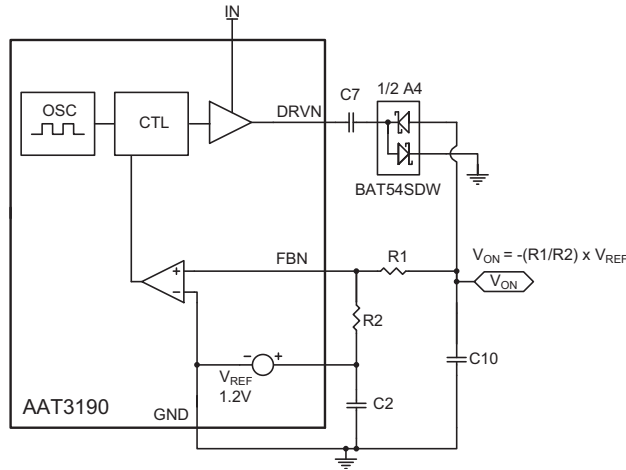
### Positive Charge Pump

During the first half-cycle, the N-channel MOSFET turns on and charges the flying capacitor C4 (Figure 2). During the second half-cycle, the N-channel MOSFET turns off and the P-channel MOSFET turns on, level shifting C4 by the input voltage. This connects C4 in parallel with the reservoir capacitor C5. If the voltage across C5 plus a diode drop is less than the level shifted flying capacitor ( $C4 + V_{IN}$ ), charge is transferred from C4 to C5 until the diode turns off.

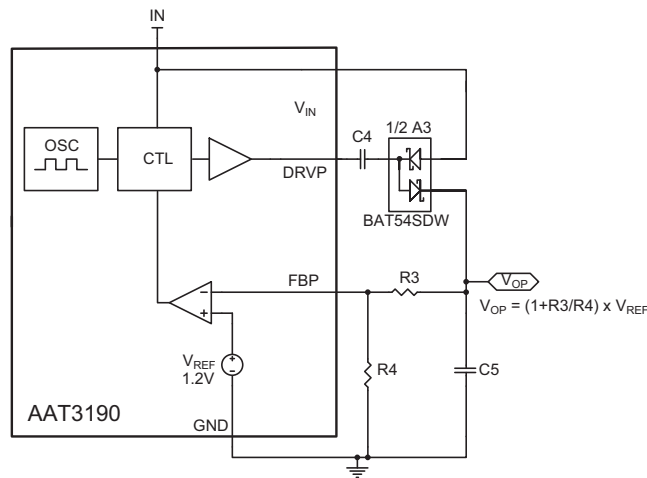
### Voltage Reference

The voltage reference is a simple band gap with an output voltage equal to  $V_{BE} + K \cdot V_T$ . The band gap reference amplifier has an additional compensation capacitor from the negative input to the output. This capacitor serves to slow down the circuit during startup and soft starts the voltage reference and the regulator output from overshoot. The reference circuit amplifier also increases the overall PSRR of the device. An 80k $\Omega$  resistor serves to isolate and buffer the amplifier from a small internal filter capacitor and an optional large external filter capacitor.

**Positive/Negative Charge Pump for Voltage Bias**



**Figure 1: Negative Charge Pump Block Diagram.**



**Figure 2: Positive Charge Pump Block Diagram.**

**Enable and Start-up**

The AAT3190 is disabled by pulling the EN pin low. The threshold levels lie between 0.5V and 1.5V. Even though the quiescent current of the IC during shutdown is less than 1µA, the positive output voltage (V<sub>OP</sub>) and any load current associated with it does not disappear without the complete removal of the input voltage. This is due to the fact that with no switching of the DRVVP pin, the input voltage simply forward biases the Schottky diodes associated with the V<sub>OP</sub> charge pump, providing a path for load current to be drawn from the input voltage.

Depending on the application, the supplies must be sequenced properly to avoid damage or latch-up. The

AAT3190 start-up sequence ramps up the V<sub>OP</sub> output 200µs after the V<sub>ON</sub> output is present. The AAT3190-1 ramps up the positive supply before the negative supply.

**Over-Temperature Protection**

A logic control circuit will shut down both charge pumps in the case of an over-temperature condition.

**Under-Voltage Lockout**

A UVLO circuit disables the AAT3190 when the input voltage supply is lower than 1.8V nominal.

**Positive/Negative Charge Pump for Voltage Bias****Design Procedure  
and Component Selection****Output Voltage**

The number of charge pump stages required for a given output varies with the input voltage applied. The number of stages required can be estimated by:

$$n_p = \frac{V_{OP} - V_{IN}}{V_{IN} - 2V_F}$$

for the positive output and

$$n_n = \frac{V_{ON}}{2V_F - V_{IN}}$$

for the negative output.

When solving for  $n_p$  and  $n_n$ , round up the solution to the next highest integer to determine the number of stages required.

 **$V_{ON}$** 

The negative output voltage is adjusted by a resistive divider from the output ( $V_{ON}$ ) to the FBN and REF pin.

The maximum reference voltage current is  $50\mu\text{A}$ ; therefore, the minimum allowable value for R2 of Figure 1 is  $24\text{k}\Omega$ . It is best to select the smallest value possible for R2, as this will keep R1 to a minimum. This limits errors due to the FBN input bias current. The FBN input has a maximum input bias current of  $100\text{nA}$ . Using the full  $50\mu\text{A}$  reference current for programming  $V_{ON}$ :

$$I_{PGM} = \frac{V_{REF}}{R2} = \frac{1.2}{24.1\text{k}} = 50\mu\text{A}$$

will limit the error due to the input bias current at FBN to less than 0.2%:

$$\frac{I_{FBN}}{I_{PGM}} = \frac{0.1\mu\text{A}}{50\mu\text{A}} = 0.2\%$$

With R2 selected, R1 can be determined:

$$R1 = \frac{V_{NEG} \cdot R2}{-V_{REF}}$$

 **$V_{OP}$** 

The positive output voltage is set by way of a resistive divider from the output ( $V_{OP}$ ) to the FBP and ground pin. Limiting the size of R4 reduces the effect of the FBP bias current. For less than 0.1% error, limit R4 to less than  $12\text{k}\Omega$ .

$$I_{PGM} = \frac{V_{REF}}{R4} = \frac{1.2\text{V}}{12\text{k}\Omega} = 100\mu\text{A}$$

$$\frac{I_{FBP}}{I_{PGM}} = \frac{0.1\mu\text{A}}{100\mu\text{A}} = 0.1\%$$

Once R4 has been determined, solve for R3:

$$R3 = R4 \cdot \left( \frac{V_O}{V_{REF}} - 1 \right)$$

**Flying and Output Capacitor**

The flying capacitor minimum value is limited by the output power requirement, while the maximum value is set by the bandwidth of the power supply. If  $C_{FLY}$  is too small, the output may not be able to deliver the power demanded, while too large of a capacitor may limit the bandwidth and time required to recover from load and line transients. A  $0.1\mu\text{F}$  X7R or X5R ceramic capacitor is typically used. The voltage rating of the flying and reservoir output capacitors varies with the number of charge pump stages. The reservoir output capacitor should be roughly 10 times the flying capacitor. Use larger capacitors for reduced output ripple.

**Positive Output Capacitor  
Voltage Ratings**

The absolute steady-state maximum output voltage (neglecting the internal  $R_{DS(ON)}$  drop of the internal MOSFETs) for the nth stage is:

$$V_{BULK(n)} = (n + 1) \cdot V_{IN} - 2 \cdot n \cdot V_{FWD}$$

where  $V_{FWD}$  is the estimated forward drop of the Schottky diode. This is also the voltage rating required for the nth bulk capacitor in the positive output charge pump.

The voltage rating for the nth flying capacitor in the positive stage is:

$$V_{FLY(n)} = V_{BULK(n+1)} - V_{FWD}$$

where  $V_{BULK(0)}$  is the input voltage (see Table 1).

**Positive/Negative Charge Pump for Voltage Bias**

Stages (n)	$V_{IN} = 5.0V, V_{FWD} = 0.3V$	
	$V_{BULK(n)}$	$V_{FLY(n)}$
1	9.4V	4.7V
2	13.8V	9.1V
3	18.2V	13.5V
4	22.6V	17.9V
5	27.0V	22.3V
6	31.4V	26.7V

**Table 1: Positive Output Capacitor Voltages.**

**Negative Output Capacitor Voltage Ratings**

The absolute steady-state maximum output voltage (neglecting the internal  $R_{DS(ON)}$  drop of the internal MOSFETs) for the nth stage is:

$$V_{BULK(n)} = -n \cdot V_{IN} + 2 \cdot n \cdot V_{FWD}$$

This is also the voltage rating required for the nth bulk capacitor in the negative output charge pump.

The voltage rating for the nth flying capacitor in the negative stage (see Table 2) is:

$$V_{FLY(n)} = V_{FWD} - V_{BULK(n)}$$

Stages (n)	$V_{IN} = 5.0V, V_{FWD} = 0.3V$	
	$V_{BULK(n)}$	$V_{FLY(n)}$
1	-4.4V	4.7V
2	-8.8V	9.1V
3	-13.2V	13.5V
4	-17.6V	17.9V
5	-22.0V	22.3V
6	-26.4V	26.7V

**Table 2: Negative Output Capacitor Voltages.**

**Single Output Operation**

If only one of the two channels is needed, it is possible to disable either output. Connect the respective FB pin to  $V_{IN}$  to disable the output (e.g., connect FBN to  $V_{IN}$  in order to disable the negative output).

**Input Capacitors**

**Input Capacitor**

The primary function of the input capacitor is to provide a low impedance loop for the edges of pulsed current drawn by the IC. A low ESL X7R or X5R type ceramic capacitor is ideal for this function. The size required will vary depending on the load, output voltage, and input voltage characteristics. Typically, the input capacitor should be 5 to 10 times the flying capacitor. If the source impedance of the input supply is high, a larger capacitor may be required. To minimize stray inductance, the capacitor should be placed as closely as possible to the IC. This keeps the high frequency content of the input current localized, minimizing radiated and conducted EMI.

**Rectifier Diodes**

For the rectifiers, use Schottky diodes with a voltage rating of 1.5 times the input voltage. The maximum steady-state voltage seen by the rectifier diodes for both the positive and negative charge pumps (regardless of the number of stages) is:

$$V_{REVERSE} = V_{IN} - V_F$$

The BAT54S dual Schottky is offered in a SOT23 package that provides a convenient pin-out for the voltage doubler configuration. The BAT54SDW quad Schottky in a SOT363 (2x2mm) package is a good choice for multiple-stage charge pump configuration (see Figure 3, Evaluation Board Schematic).

**PC Board Layout**

The input and reference capacitor should be placed as close to the IC as possible. Place the programming resistors (R1-R4) close to the IC, minimizing trace length to FBN and FBP. Figures 4 and 5 display the evaluation board layout with the TSOPJW-12 package.

# AAT3190

## Positive/Negative Charge Pump for Voltage Bias

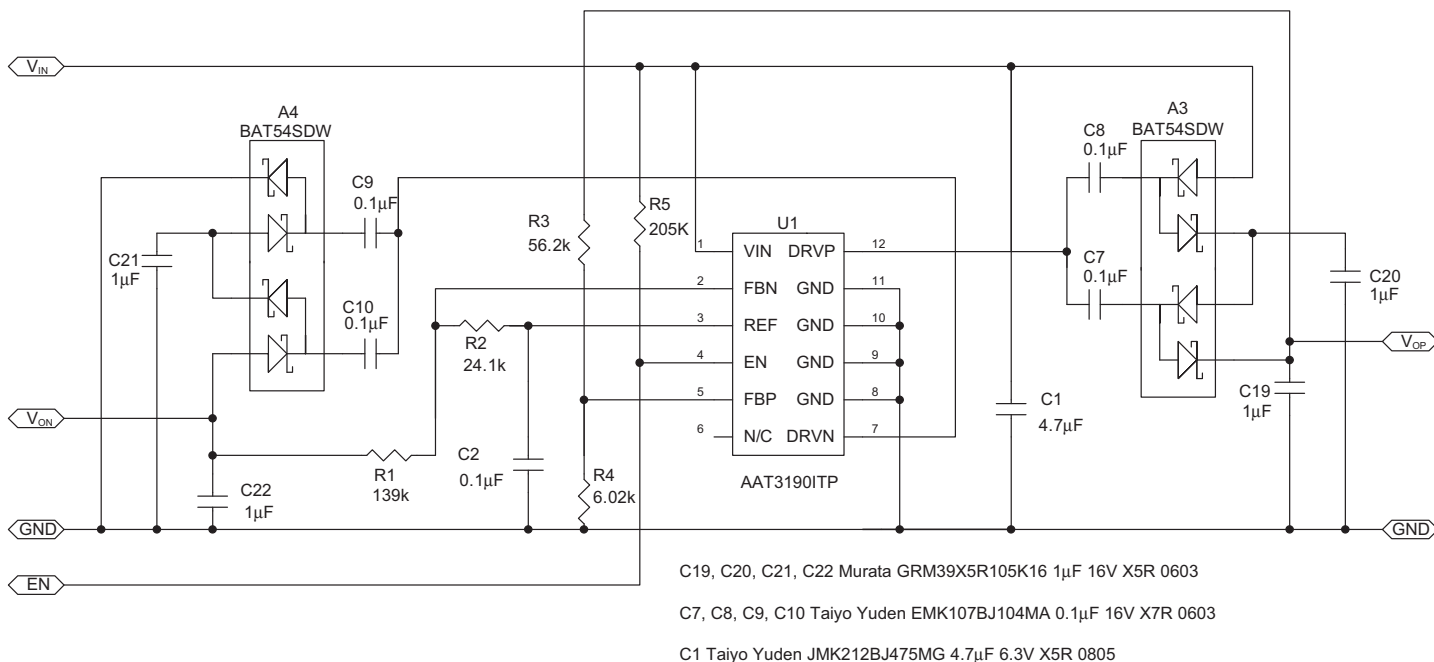


Figure 3: AAT3190 Evaluation Board Schematic (shown with two stages)

$V_{OP} = 12V$ ,  $V_{ON} = -7V$ .

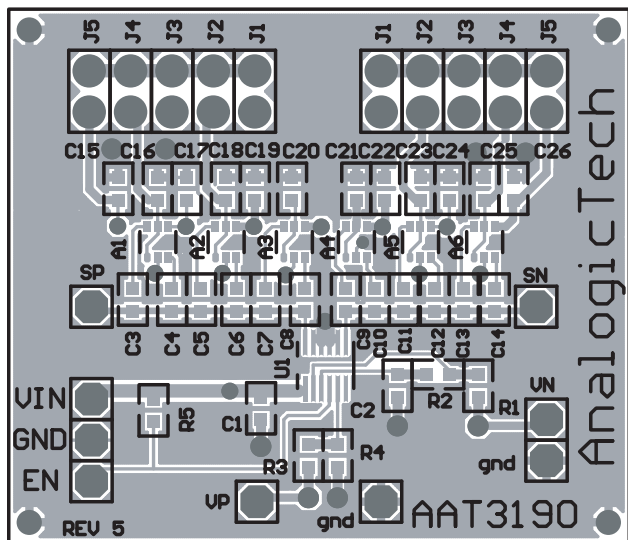


Figure 4: AAT3190 Evaluation Board Top Side.

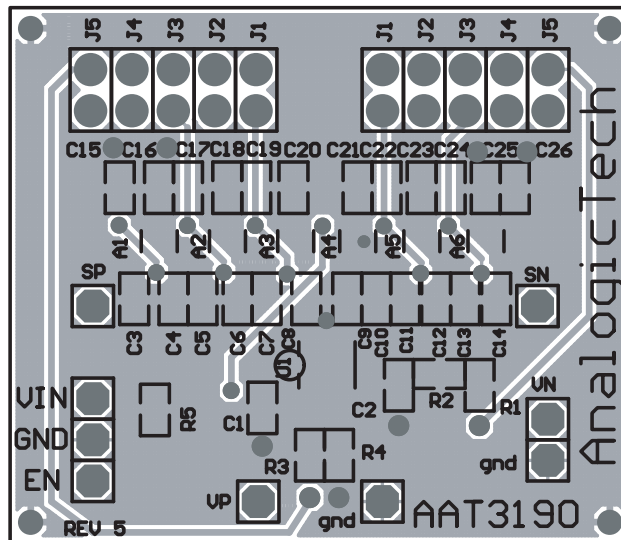


Figure 5: AAT3190 Evaluation Board Bottom Side.

# AAT3190

## Positive/Negative Charge Pump for Voltage Bias

### Ordering Information

Package	Power-Up Sequence	Marking <sup>1</sup>	Part Number (Tape and Reel) <sup>2</sup>
MSOP-8	-, +	JDXYY	<b>AAT3190IKS-T1</b>
TSOPJW-12	-, +	JDXYY	<b>AAT3190ITP-T1</b>
TSOPJW-12	+, -	LKXYY	<b>AAT3190ITP-1-T1</b>

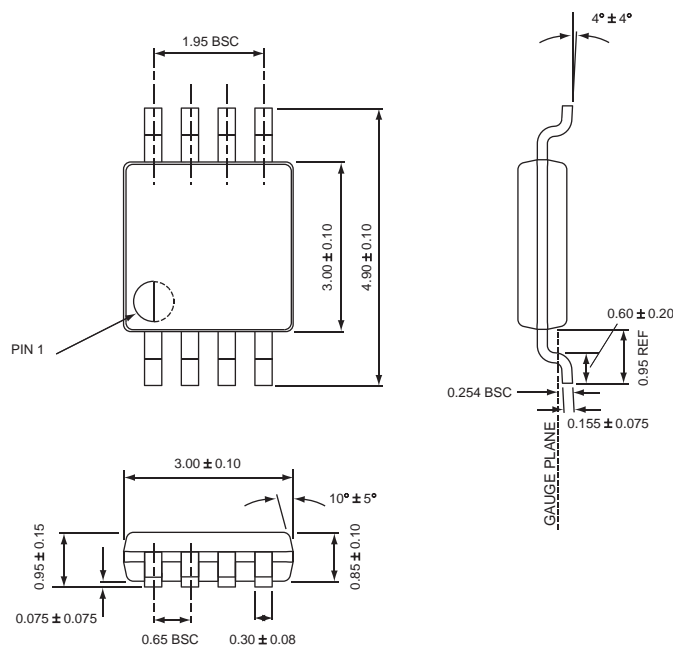


Skyworks Green™ products are compliant with all applicable legislation and are halogen-free.

For additional information, refer to *Skyworks Definition of Green™*, document number SQ04-0074.

### Package Information

#### MSOP-8

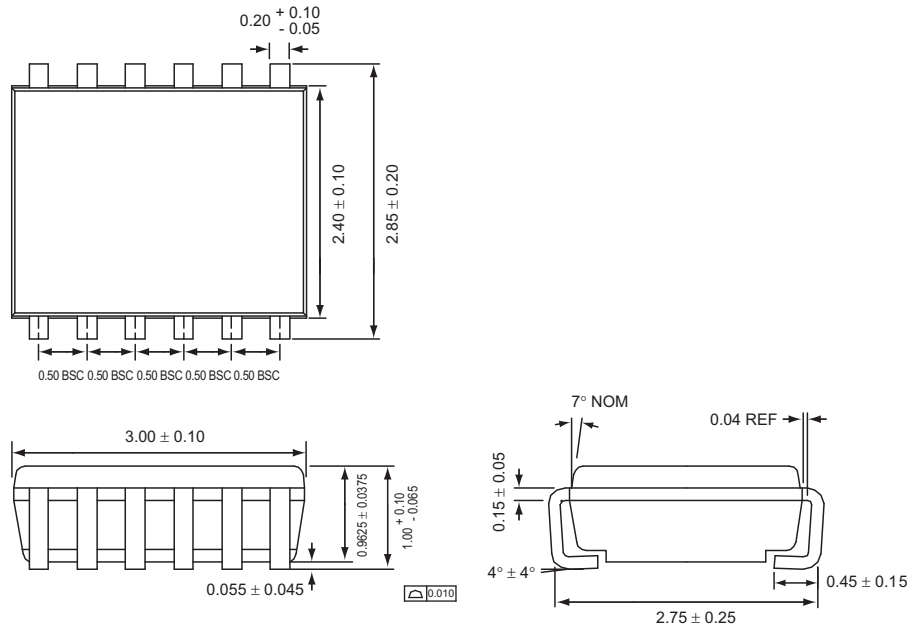


All dimensions in millimeters.

1. XYY = assembly and date code.  
 2. Sample stock is generally held on part numbers listed in **BOLD**.

*Positive/Negative Charge Pump for Voltage Bias*

TSOPJW-12



All dimensions in millimeters.

Copyright © 2012 Skyworks Solutions, Inc. All Rights Reserved.

Information in this document is provided in connection with Skyworks Solutions, Inc. ("Skyworks") products or services. These materials, including the information contained herein, are provided by Skyworks as a service to its customers and may be used for informational purposes only by the customer. Skyworks assumes no responsibility for errors or omissions in these materials or the information contained herein. Skyworks may change its documentation, products, services, specifications or product descriptions at any time, without notice. Skyworks makes no commitment to update the materials or information and shall have no responsibility whatsoever for conflicts, incompatibilities, or other difficulties arising from any future changes.

No license, whether express, implied, by estoppel or otherwise, is granted to any intellectual property rights by this document. Skyworks assumes no liability for any materials, products or information provided hereunder, including the sale, distribution, reproduction or use of Skyworks products, information or materials, except as may be provided in Skyworks Terms and Conditions of Sale.

THE MATERIALS, PRODUCTS AND INFORMATION ARE PROVIDED "AS IS" WITHOUT WARRANTY OF ANY KIND, WHETHER EXPRESS, IMPLIED, STATUTORY, OR OTHERWISE, INCLUDING FITNESS FOR A PARTICULAR PURPOSE OR USE, MERCHANTABILITY, PERFORMANCE, QUALITY OR NON-INFRINGEMENT OF ANY INTELLECTUAL PROPERTY RIGHT; ALL SUCH WARRANTIES ARE HEREBY EXPRESSLY DISCLAIMED. SKYWORKS DOES NOT WARRANT THE ACCURACY OR COMPLETENESS OF THE INFORMATION, TEXT, GRAPHICS OR OTHER ITEMS CONTAINED WITHIN THESE MATERIALS. SKYWORKS SHALL NOT BE LIABLE FOR ANY DAMAGES, INCLUDING BUT NOT LIMITED TO ANY SPECIAL, INDIRECT, INCIDENTAL, STATUTORY, OR CONSEQUENTIAL DAMAGES, INCLUDING WITHOUT LIMITATION, LOST REVENUES OR LOST PROFITS THAT MAY RESULT FROM THE USE OF THE MATERIALS OR INFORMATION, WHETHER OR NOT THE RECIPIENT OF MATERIALS HAS BEEN ADVISED OF THE POSSIBILITY OF SUCH DAMAGE.

Skyworks products are not intended for use in medical, lifesaving or life-sustaining applications, or other equipment in which the failure of the Skyworks products could lead to personal injury, death, physical or environmental damage. Skyworks customers using or selling Skyworks products for use in such applications do so at their own risk and agree to fully indemnify Skyworks for any damages resulting from such improper use or sale.

Customers are responsible for their products and applications using Skyworks products, which may deviate from published specifications as a result of design defects, errors, or operation of products outside of published parameters or design specifications. Customers should include design and operating safeguards to minimize these and other risks. Skyworks assumes no liability for applications assistance, customer product design, or damage to any equipment resulting from the use of Skyworks products outside of stated published specifications or parameters.

Skyworks, the Skyworks symbol, and "Breakthrough Simplicity" are trademarks or registered trademarks of Skyworks Solutions, Inc., in the United States and other countries. Third-party brands and names are for identification purposes only, and are the property of their respective owners. Additional information, including relevant terms and conditions, posted at [www.skyworksinc.com](http://www.skyworksinc.com), are incorporated by reference.

## Looking for pricing, stock, or lifecycle information?

Click below to explore more details on WIN SOURCE:

- ⊖ [View AAT3190IKS-T1 on WIN SOURCE](#)
- ⊖ [Skyworks Solutions Inc. Information](#)

## Optimize Your Supply Chain with WIN SOURCE Solutions

- ✓ Global Sourcing Solution
- ✓ Obsolete Management
- ✓ Cost Control Management
- ✓ Shortage Management
- ✓ Alternative Solution
- ✓ Excess Inventory Management