



**THE DATASHEET OF
XC61FN2112MR**



Voltage Detectors, Delay Circuit Built-In

■ GENERAL DESCRIPTION

The XC61F series are highly accurate, low power consumption voltage detectors, manufactured using CMOS and laser trimming technologies. A delay circuit is built-in to each detector.

Detect voltage is extremely accurate with minimal temperature drift.

Both CMOS and N-ch open drain output configurations are available.

Since the delay circuit is built-in, peripherals are unnecessary and high density mounting is possible.

■ APPLICATIONS

- Microprocessor reset circuitry
- Memory battery back-up circuits
- Power-on reset circuits
- Power failure detection
- System battery life and charge voltage monitors
- Delay circuitry

■ FEATURES

- Highly Accurate** : $\pm 2\%$
- Low Power Consumption** : $1.0 \mu\text{A(TYP.)}$ [$V_{\text{IN}}=2.0\text{V}$]
- Detect Voltage Range** : $1.6\text{V} \sim 6.0\text{V}$ in 0.1V increments
- Operating Voltage Range** : $0.7\text{V} \sim 10.0\text{V}$
- Detect Voltage Temperature Characteristics**
: $\pm 100\text{ppm}/^\circ\text{C(TYP.)}$
- Built-In Delay Circuit** : ① $1\text{ms} \sim 50\text{ms}$
② $50\text{ms} \sim 200\text{ms}$
③ $80\text{ms} \sim 400\text{ms}$
- Output Configuration** : N-ch open drain output or CMOS
- Operating Ambient Temperature : $-30^\circ\text{C} \sim 80^\circ\text{C}$
- Packages** : SOT-23
SOT-89
- Environmentally Friendly** : EU RoHS Compliant, Pb Free

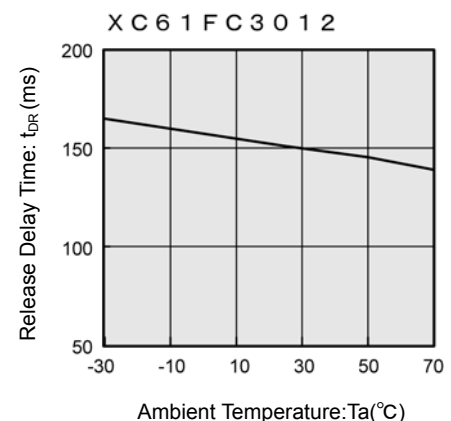
* No parts are available with an accuracy of $\pm 1\%$

■ TYPICAL APPLICATION CIRCUITS



■ TYPICAL PERFORMANCE CHARACTERISTICS

● Release Delay Time vs. Ambient Temperature



■ PIN CONFIGURATION



■ PIN ASSIGNMENT

| PIN NUMBER | | PIN NAME | FUNCTIONS |
|------------|--------|------------------|----------------------|
| SOT-23 | SOT-89 | | |
| 3 | 2 | V _{IN} | Supply Voltage Input |
| 2 | 3 | V _{SS} | Ground |
| 1 | 1 | V _{OUT} | Output |

■ PRODUCT CLASSIFICATION

● Ordering Information

XC61F ①②③④⑤⑥⑦-⑧^(*)

| DESIGNATOR | ITEM | SYMBOL | DESCRIPTION |
|---------------------|-----------------------|---------|--------------------------|
| ① | Output Configuration | C | CMOS output |
| | | N | N-ch open drain output |
| ②③ | Detect Voltage | 16 ~ 60 | e.g. 2.5V → ②2 , ③5 |
| | | | e.g. 3.8V → ②3, ③8 |
| ④ | Release Output Delay | 1 | 50ms ~ 200ms |
| | | 4 | 80ms ~ 400ms |
| | | 5 | 1ms ~ 50ms |
| ⑤ | Detect Accuracy | 2 | Within ± 2.0% |
| ⑥⑦-⑧ ^(*) | Packages (Order Unit) | MR | SOT-23 (3,000 pcs /Reel) |
| | | MR-G | SOT-23 (3,000 pcs /Reel) |
| | | PR | SOT-89 (1,000 pcs /Reel) |
| | | PR-G | SOT-89 (1,000 pcs /Reel) |

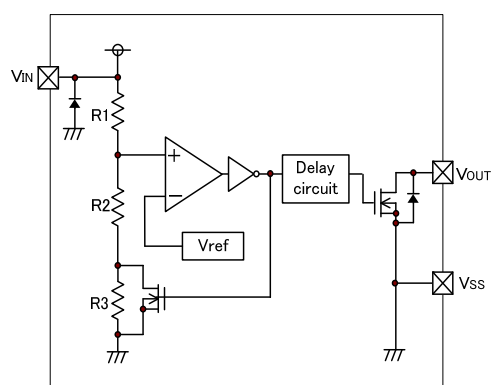
^(*) The "-G" suffix denotes Halogen and Antimony free as well as being fully EU RoHS compliant.

■ BLOCK DIAGRAMS

(1) CMOS output



(2) N-ch open drain output



■ ABSOLUTE MAXIMUM RATINGS

Ta = 25°C

| PARAMETER | SYMBOL | RATINGS | UNITS |
|-------------------------------|------------------------|--|-------|
| Input Voltage | V _{IN} | V _{SS} -0.3~12.0 | V |
| Output Current | I _{OUT} | 50 | mA |
| Output Voltage | CMOS | V _{SS} -0.3 ~ V _{IN} + 0.3 | V |
| | N-ch open drain output | V _{SS} -0.3 ~ 9 | |
| Power Dissipation | SOT-23 | 250 | mW |
| | SOT-89 | 500 | |
| Operating Ambient Temperature | T _{opr} | -30~+80 | °C |
| Storage Temperature | T _{stg} | -40~+125 | °C |

■ ELECTRICAL CHARACTERISTICS

Ta = 25°C

| PARAMETER | SYMBOL | CONDITIONS | MIN. | TYP. | MAX. | UNITS | CIRCUIT | |
|--|--|---|---|---------------------------|------------------------------|--------|---------|---|
| Detect Voltage | V _{DF} | | V _{DF(T)} x 0.98 | V _{DF(T)} | V _{DF(T)} x 1.02 | V | ① | |
| Hysteresis Width | V _{HYS} | | V _{DF} x 0.02 | V _{DF} x 0.05 | V _{DF} x 0.08 | V | ① | |
| Supply Current | I _{SS} | V _{IN} = 1.5V | - | 0.9 | 2.6 | μA | ② | |
| | | V _{IN} = 2.0V | - | 1.0 | 3.0 | | | |
| | | V _{IN} = 3.0V | - | 1.3 | 3.4 | | | |
| | | V _{IN} = 4.0V | - | 1.6 | 3.8 | | | |
| | | V _{IN} = 5.0V | - | 2.0 | 4.2 | | | |
| Operating Voltage | V _{IN} | V _{DF} = 1.6V to 6.0V | 0.7 | - | 10.0 | V | ① | |
| Output Current | I _{OUT} | N-ch V _{DS} = 0.5V | V _{IN} = 1.0V | 1.0 | 2.2 | - | mA | ③ |
| | | | V _{IN} = 2.0V | 3.0 | 7.7 | - | | |
| | | | V _{IN} = 3.0V | 5.0 | 10.1 | - | | |
| | | | V _{IN} = 4.0V | 6.0 | 11.5 | - | | |
| | | | V _{IN} = 5.0V | 7.0 | 13.0 | - | | |
| | | P-ch V _{DS} = 2.1V (CMOS Output) V _{IN} = 8.0V | - | -10.0 | -2.0 | ④ | | |
| Leak Current | CMOS Output (P-ch) | I _{LEAK} | V _{IN} = V _{DF} x 0.9V, V _{OUT} = 0V | - | -0.01 | - | μA | ③ |
| | N-ch Open Drain Output | | V _{IN} = 10.0V, V _{OUT} = 10.0V | - | 0.01 | 0.1 | | |
| Detect Voltage Temperature Characteristics | ΔV _{DF} / (ΔT _{opr} · V _{DF}) | -30°C ≤ T _{opr} ≤ 80°C | - | ±100 | - | ppm/°C | ① | |
| Release Delay Time (V _{DR} → V _{OUT} inversion) | t _{DR} | V _{IN} changes from 0.6V to 10V | 50 | - | 200 | ms | ⑤ | |
| | | | 80 | | 400 | | | |
| | | | 1 | | 50 | | | |

V_{DF} (T): Setting detect voltage value

Release Voltage: V_{DR} = V_{DF} + V_{HYS}

* Release Delay Time: 1ms to 50ms & 80ms to 400ms versions are also available.

Note: The power consumption during power-start to output being stable (release operation) is 2 μA greater than it is after that period (completion of release operation) because of delay circuit through current.

■ OPERATIONAL EXPLANATION

● CMOS output

- ① When a voltage higher than the release voltage (V_{DR}) is applied to the voltage input pin (V_{IN}), the voltage will gradually fall. When a voltage higher than the detect voltage (V_{DF}) is applied to V_{IN} , output (V_{OUT}) will be equal to the input at V_{IN} .
Note that high impedance exists at V_{OUT} with the N-ch open drain output configuration. If the pin is pulled up, V_{OUT} will be equal to the pull up voltage.
- ② When V_{IN} falls below V_{DF} , V_{OUT} will be equal to the ground voltage (V_{SS}) level (detect state). Note that this also applies to N-ch open drain output configurations.
- ③ When V_{IN} falls to a level below that of the minimum operating voltage (V_{MIN}) output will become unstable. Because the output pin is generally pulled up with configurations, output will be equal to pull up voltage.
- ④ When V_{IN} rises above the V_{SS} level (excepting levels lower than minimum operating voltage), V_{OUT} will be equal to V_{SS} until V_{IN} reaches the V_{DR} level.
- ⑤ Although V_{IN} will rise to a level higher than V_{DR} , V_{OUT} maintains ground voltage level via the delay circuit.
- ⑥ Following transient delay time, V_{IN} will be output at V_{OUT} . Note that high impedance exists with the N-ch open drain output configuration and that voltage will be dependent on pull up.

Notes:

1. The difference between V_{DR} and V_{DF} represents the hysteresis range.
2. Release delay time (t_{DR}) represents the time it takes for V_{IN} to appear at V_{OUT} once the said voltage has exceeded the V_{DR} level.

● Timing Chart



■ DIRECTIONS FOR USE

● Notes on Use

1. Please use this IC within the stated absolute maximum ratings. For temporary, transitional voltage drop or voltage rising phenomenon, the IC is liable to malfunction should the ratings be exceeded.
2. When a resistor is connected between the V_{IN} pin and the power supply with CMOS output configurations, oscillation may occur as a result of voltage drops at R_{IN} if load current (I_{OUT}) exists. It is therefore recommend that no resistor be added. (refer to Oscillation Description (1) below)
3. When a resistor is connected between the V_{IN} pin and the power supply with CMOS output configurations, irrespective of N-ch output configurations, oscillation may occur as a result of through current at the time of voltage release even if load current (I_{OUT}) does not exist. (refer to Oscillation Description (2) below)
4. If a resistor (R_{IN}) must be used, then please use with as small a level of input impedance as possible in order to control the occurrences of oscillation as described above. Further, please ensure that R_{IN} is less than $10k\Omega$ and that C_{IN} is more than $0.1\mu F$, please test with the actual device. However, N-ch open drain output only. (Figure 1).
5. With a resistor (R_{IN}) connected between the V_{IN} pin and the power supply, the V_{IN} pin voltage will be getting lower than the power supply voltage as a result of the IC's supply current flowing through the V_{IN} pin.
6. Depending on circuit's operation, release delay time of this IC can be widely changed due to upper limits or lower limits of operational ambient temperature.
7. Torex places an importance on improving our products and its reliability. However, by any possibility, we would request user fail-safe design and post-aging treatment on system or equipment.

● Oscillation Description

(1) Oscillation as a result of load current with the CMOS output configuration:

When the voltage applied at power supply, release operations commence and the detector's output voltage increases. Load current (I_{OUT}) will flow through R_L . Because a voltage drop ($R_{IN} \times I_{OUT}$) is produced at the R_{IN} resistor, located between the power supply and the V_{IN} pin, the load current will flow via the IC's V_{IN} pin. The voltage drop will also lead to a fall in the voltage level at the V_{IN} pin. When the V_{IN} pin voltage level falls below the detect voltage level, detect operations will commence. Following detect operations, load current flow will cease and since voltage drop at R_{IN} will disappear, the voltage level at the V_{IN} pin will rise and release operations will begin over again.

Oscillation may occur with this " release - detect - release " repetition.

Further, this condition will also appear via means of a similar mechanism during detect operations.

(2) Oscillation as a result of through current:

Since the XC61F series are CMOS ICs, through current will flow when the IC's internal circuit switching operates (during release and detect operations). Consequently, oscillation is liable to occur during release voltage operations as a result of output current which is influenced by this through current (Figure 3).

Since hysteresis exists during detect operations, oscillation is unlikely to occur.

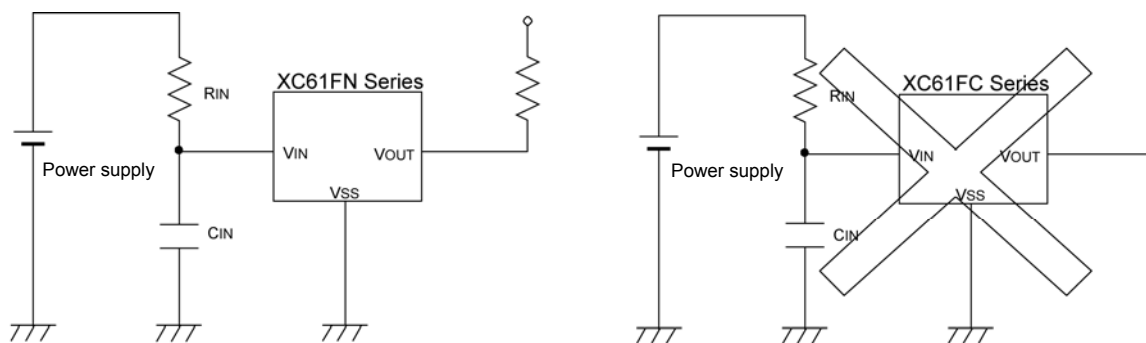


Figure 1. When using an input resistor

■ DIRECTIONS FOR USE (Continued)

● Oscillation Description (Continued)



Figure 2. Oscillation in relation to output current

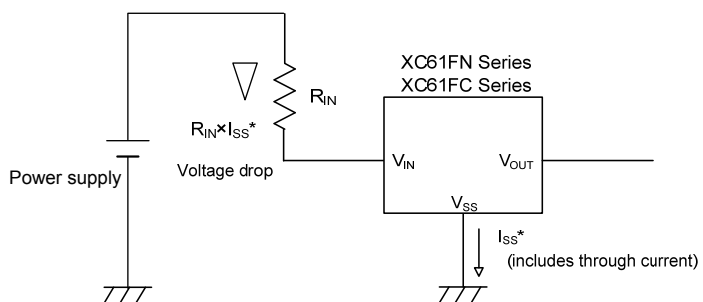


Figure 3. Oscillation in relation to through current

TEST CIRCUITS

● Circuit ①



● Circuit ②



● Circuit ③



● Circuit ④



● Circuit ⑤



*Not necessary with CMOS output products.

TYPICAL PERFORMANCE CHARACTERISTICS

(1) Supply Current vs. Input Voltage



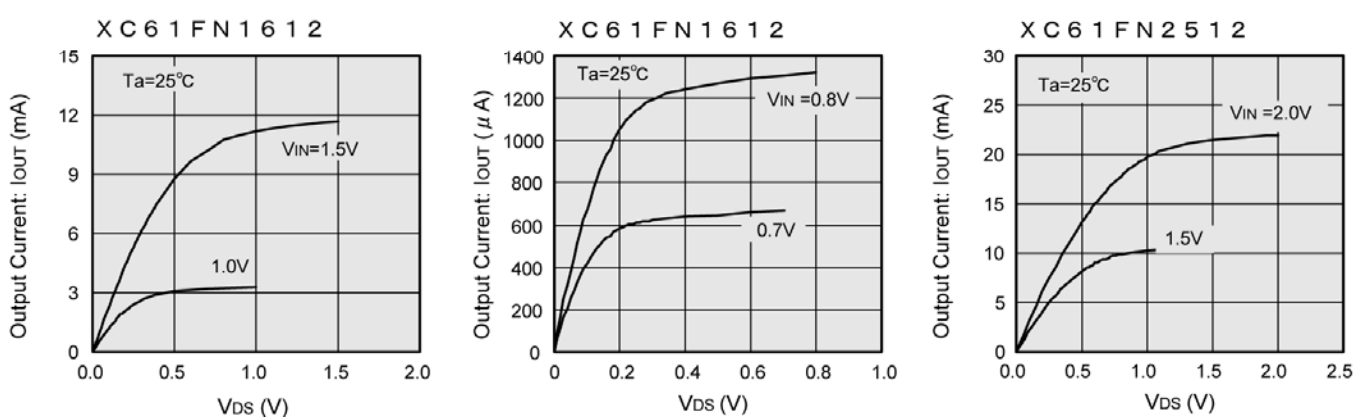
(2) Detect Voltage, Release Voltage vs. Ambient Temperature



(3) Output Voltage vs. Input Voltage

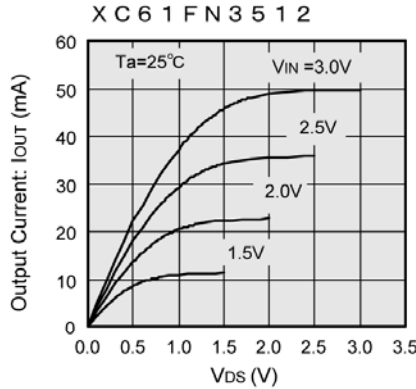
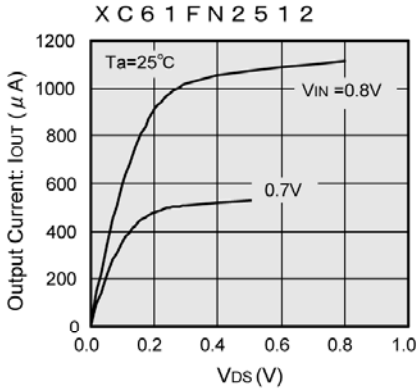


(4) N-ch Driver Output Current vs. V_{DS}

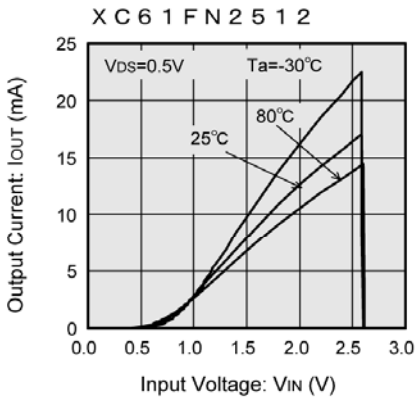
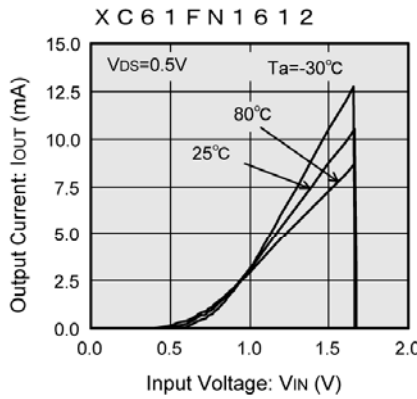


TYPICAL PERFORMANCE CHARACTERISTICS (Continued)

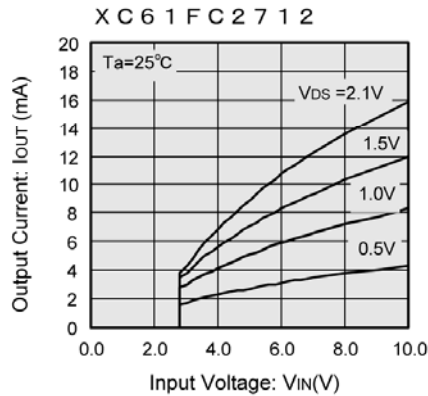
(4) N-ch Driver Output Current vs. V_{DS} (Continues)



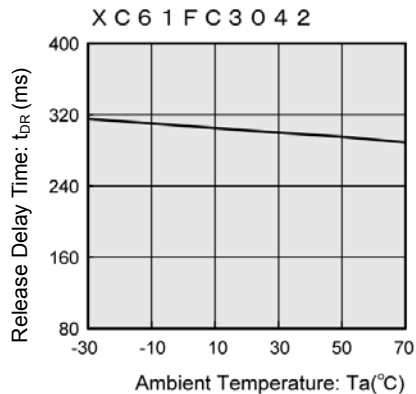
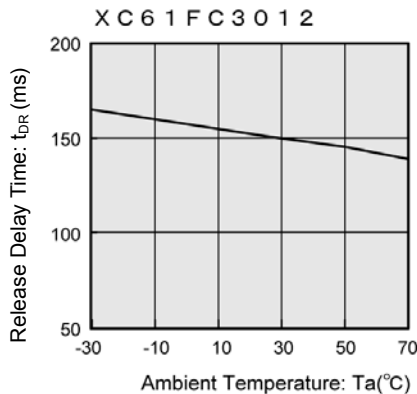
(5) N-ch Driver Output Current vs. Input Voltage



(6) P-ch Driver Output Current vs. Input Voltage



(7) Release Delay Time vs. Ambient Temperature



■ TYPICAL PERFORMANCE CHARACTERISTICS (Continued)

(8) Release Delay Time vs. Input Voltage

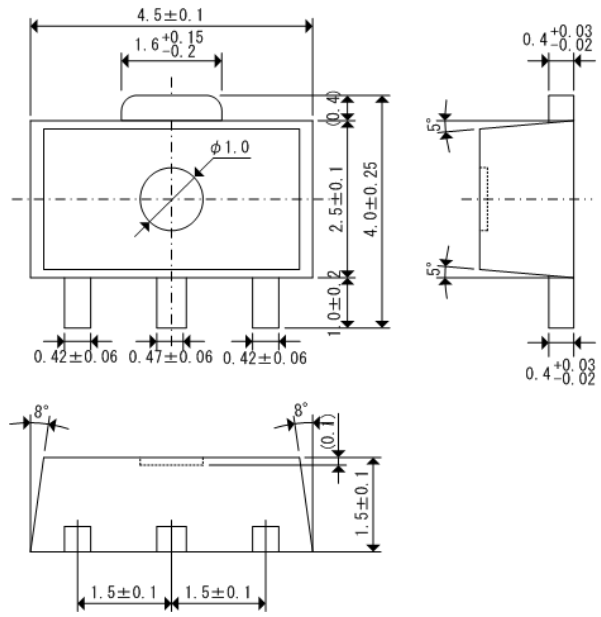


PACKAGING INFORMATION

● SOT-23



● SOT-89



MARKING RULE

● SOT-23, SOT-89



① represents integer of detect voltage and output configuration
CMOS output (XC61FC series)

| MARK | CONFIGURATION | VOLTAGE (V) |
|------|---------------|-------------|
| A | CMOS | 0.x |
| B | CMOS | 1.x |
| C | CMOS | 2.x |
| D | CMOS | 3.x |
| E | CMOS | 4.x |
| F | CMOS | 5.x |
| H | CMOS | 6.x |

N-ch open drain output (XC61FN series)

| MARK | CONFIGURATION | VOLTAGE (V) |
|------|---------------|-------------|
| K | N-ch | 0.x |
| L | N-ch | 1.x |
| M | N-ch | 2.x |
| N | N-ch | 3.x |
| P | N-ch | 4.x |
| R | N-ch | 5.x |
| S | N-ch | 6.x |

② represents decimal number of detect voltage

| MARK | VOLTAGE (V) | MARK | VOLTAGE (V) |
|------|-------------|------|-------------|
| 0 | x.0 | 5 | x.5 |
| 1 | x.1 | 6 | x.6 |
| 2 | x.2 | 7 | x.7 |
| 3 | x.3 | 8 | x.8 |
| 4 | x.4 | 9 | x.9 |

③ represents delay time

| VOLTAGE (V) | DELAY TIME |
|-------------|------------|
| 5 | 50 ~ 200ms |
| 6 | 80 ~ 400ms |
| 7 | 1 ~ 50ms |



④ represents assembly lot number (Based on internal standards)

1. The product and product specifications contained herein are subject to change without notice to improve performance characteristics. Consult us, or our representatives before use, to confirm that the information in this datasheet is up to date.
2. The information in this datasheet is intended to illustrate the operation and characteristics of our products. We neither make warranties or representations with respect to the accuracy or completeness of the information contained in this datasheet nor grant any license to any intellectual property rights of ours or any third party concerning with the information in this datasheet.
3. Applicable export control laws and regulations should be complied and the procedures required by such laws and regulations should also be followed, when the product or any information contained in this datasheet is exported.
4. The product is neither intended nor warranted for use in equipment of systems which require extremely high levels of quality and/or reliability and/or a malfunction or failure which may cause loss of human life, bodily injury, serious property damage including but not limited to devices or equipment used in 1) nuclear facilities, 2) aerospace industry, 3) medical facilities, 4) automobile industry and other transportation industry and 5) safety devices and safety equipment to control combustions and explosions. Do not use the product for the above use unless agreed by us in writing in advance.
5. Although we make continuous efforts to improve the quality and reliability of our products; nevertheless Semiconductors are likely to fail with a certain probability. So in order to prevent personal injury and/or property damage resulting from such failure, customers are required to incorporate adequate safety measures in their designs, such as system fail safes, redundancy and fire prevention features.
6. Our products are not designed to be Radiation-resistant.
7. Please use the product listed in this datasheet within the specified ranges.
8. We assume no responsibility for damage or loss due to abnormal use.
9. All rights reserved. No part of this datasheet may be copied or reproduced unless agreed by Torex Semiconductor Ltd in writing in advance.

TOREX SEMICONDUCTOR LTD.

Looking for pricing, stock, or lifecycle information?

Click below to explore more details on WIN SOURCE:

-  [View XC61FN2112MR on WIN SOURCE](#)
-  [Torex Semiconductor Ltd Information](#)

Optimize Your Supply Chain with WIN SOURCE Solutions

-  Global Sourcing Solution
-  Obsolete Management
-  Cost Control Management
-  Shortage Management
-  Alternative Solution
-  Excess Inventory Management