

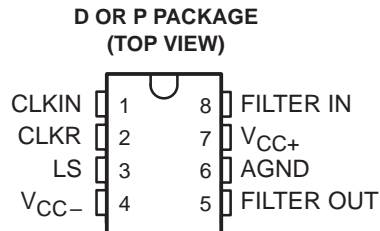


**THE DATASHEET OF  
XC3S250E-4FTG256C**



**TLC04/MF4A-50, TLC14/MF4A-100**  
**BUTTERWORTH FOURTH-ORDER LOW-PASS**  
**SWITCHED-CAPACITOR FILTERS**  
 SLAS021A – NOVEMBER 1986 – REVISED MARCH 1995

- **Low Clock-to-Cutoff-Frequency Ratio Error**  
 TLC04/MF4A-50 . . .  $\pm 0.8\%$   
 TLC14/MF4A-100 . . .  $\pm 1\%$
- **Filter Cutoff Frequency Dependent Only on External-Clock Frequency Stability**
- **Minimum Filter Response Deviation Due to External Component Variations Over Time and Temperature**
- **Cutoff Frequency Range From 0.1 Hz to 30 kHz,  $V_{CC\pm} = \pm 2.5$  V**
- **5-V to 12-V Operation**
- **Self Clocking or TTL-Compatible and CMOS-Compatible Clock Inputs**
- **Low Supply-Voltage Sensitivity**
- **Designed to be Interchangeable With National MF4-50 and MF4-100**



**description**

The TLC04/MF4A-50 and TLC14/MF4A-100 are monolithic Butterworth low-pass switched-capacitor filters. Each is designed as a low-cost, easy-to-use device providing accurate fourth-order low-pass filter functions in circuit design configurations.

Each filter features cutoff frequency stability that is dependent only on the external-clock frequency stability. The cutoff frequency is clock tunable and has a clock-to-cutoff frequency ratio of 50:1 with less than  $\pm 0.8\%$  error for the TLC04/MF4A-50 and a clock-to-cutoff frequency ratio of 100:1 with less than  $\pm 1\%$  error for the TLC14/MF4A-100. The input clock features self-clocking or TTL- or CMOS-compatible options in conjunction with the level shift (LS) terminal.

The TLC04C/MF4A-50C and TLC14C/MF4A-100C are characterized for operation from 0°C to 70°C. The TLC04I/MF4A-50I and TLC14I/MF4A-100I are characterized for operation from -40°C to 85°C. The TLC04M/MF4A-50M and TLC14M/MF4A-100M are characterized over the full military temperature range of -55°C to 125°C.

**AVAILABLE OPTIONS**

T <sub>A</sub>	CLOCK-TO-CUTOFF FREQUENCY RATIO	PACKAGE	
		SMALL OUTLINE (D)	PLASTIC DIP (P)
0°C to 70°C	50:1	TLC04CD/MF4A-50CD	TLC04CP/MF4A-50CP
	100:1	TLC14CD/MF4A-100CD	TLC14CP/MF4A-100CP
-40°C to 85°C	50:1	TLC04ID/MF4A-50ID	TLC04IP/MF4A-50IP
	100:1	TLC14ID/MF4A-100ID	TLC14IP/MF4A-100IP
-55°C to 125°C	50:1		TLC04MP/MF4A-50MP
	100:1		TLC14MP/MF4A-100MP

The D package is available taped and reeled. Add the suffix R to the device type (e.g., TLC04CDR/MF4A-50CDR).



Please be aware that an important notice concerning availability, standard warranty, and use in critical applications of Texas Instruments semiconductor products and disclaimers thereto appears at the end of this data sheet.

PRODUCTION DATA information is current as of publication date. Products conform to specifications per the terms of Texas Instruments standard warranty. Production processing does not necessarily include testing of all parameters.



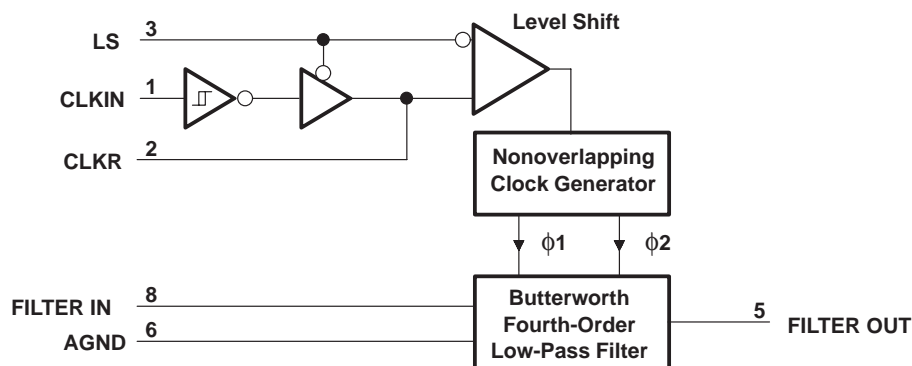
POST OFFICE BOX 655303 • DALLAS, TEXAS 75265

Copyright © 1995, Texas Instruments Incorporated

# TLC04/MF4A-50, TLC14/MF4A-100 BUTTERWORTH FOURTH-ORDER LOW-PASS SWITCHED-CAPACITOR FILTERS

SLAS021A – NOVEMBER 1986 – REVISED MARCH 1995

## functional block diagram



## Terminal Functions

TERMINAL NAME	NO.	I/O	DESCRIPTION
AGND	6	I	Analog ground. The noninverting input to the operational amplifiers of the Butterworth fourth-order low-pass filter.
CLKIN	1	I	Clock in. CLKIN is the clock input terminal for CMOS-compatible clock or self-clocking options. For either option, LS is at $V_{CC-}$ . For self-clocking, a resistor is connected between CLKIN and CLKR and a capacitor is connected from CLKIN to ground.
CLKR	2	I	Clock R. CLKR is the clock input for a TTL-compatible clock. For a TTL clock, LS is connected to midsupply and CLKIN can be left open, but it is recommended that it be connected to either $V_{CC+}$ or $V_{CC-}$ .
FILTER IN	8	I	Filter input
FILTER OUT	5	O	Butterworth fourth-order low-pass filter output
LS	3	I	Level shift. LS accommodates the various input clocking options. For CMOS-compatible clocks or self-clocking, LS is at $V_{CC-}$ and for TTL-compatible clocks, LS is at midsupply.
$V_{CC+}$	7	I	Positive supply voltage terminal
$V_{CC-}$	4	I	Negative supply voltage terminal

**TLC04/MF4A-50, TLC14/MF4A-100**  
**BUTTERWORTH FOURTH-ORDER LOW-PASS**  
**SWITCHED-CAPACITOR FILTERS**  
 SLAS021A – NOVEMBER 1986 – REVISED MARCH 1995

**absolute maximum ratings over operating free-air temperature range (unless otherwise noted)†**

Supply voltage range, $V_{CC\pm}$ (see Note 1)	..... $\pm 7$ V
Operating free-air temperature range, $T_A$ :	TLC04C/MF4A-50C, TLC14C/MF4A-100C ..... $0^\circ\text{C}$ to $70^\circ\text{C}$
	TLC04I/MF4A-50I, TLC14I/MF4A-100I ..... $-40^\circ\text{C}$ to $85^\circ\text{C}$
	TLC04M/MF4A-50M, TLC14M/MF4A-100M ... $-55^\circ\text{C}$ to $125^\circ\text{C}$
Storage temperature range, $T_{stg}$	..... $-65^\circ\text{C}$ to $150^\circ\text{C}$
Lead temperature 1,6 mm (1/16 inch) from case for 10 seconds	..... $260^\circ\text{C}$

† Stresses beyond those listed under “absolute maximum ratings” may cause permanent damage to the device. These are stress ratings only, and functional operation of the device at these or any other conditions beyond those indicated under “recommended operating conditions” is not implied. Exposure to absolute-maximum-rated conditions for extended periods may affect device reliability.

NOTE 1: All voltage values are with respect to the AGND terminal.

**recommended operating conditions**

	TLC04/MF4A-50		TLC14/MF4A-100		UNIT
	MIN	MAX	MIN	MAX	
Positive supply voltage, $V_{CC+}$	2.25	6	2.25	6	V
Negative supply voltage, $V_{CC-}$	-2.25	-6	-2.25	-6	V
High-level input voltage, $V_{IH}$	2		2		V
Low-level input voltage, $V_{IL}$		0.8		0.8	V
Clock frequency, $f_{clock}$ (see Note 2)	$V_{CC\pm} = \pm 2.5$ V		5	$1.5 \times 10^6$	Hz
	$V_{CC\pm} = \pm 5$ V		5	$2 \times 10^6$	
Cutoff frequency, $f_{co}$ (see Note 3)	0.1	$40 \times 10^3$	0.05	$20 \times 10^3$	Hz
Operating free-air temperature, $T_A$	TLC04C/MF4A-50C, TLC14C/MF4A-100C		0	70	$^\circ\text{C}$
	TLC04I/MF4A-50I, TLC14I/MF4A-100I		-40	85	
	TLC04M/MF4A-50M, TLC14M/MF4A-100M		-55	125	

- NOTES: 2. Above 250 kHz, the input clock duty cycle should be 50% to allow the operational amplifiers the maximum time to settle while processing analog samples.  
 3. The cutoff frequency is defined as the frequency where the response is 3.01 dB less than the dc gain of the filter.

**electrical characteristics over recommended operating free-air temperature range,  $V_{CC+} = 2.5$  V,  $V_{CC-} = -2.5$  V,  $f_{clock} \leq 250$  kHz (unless otherwise noted)**

**filter section**

PARAMETER	TEST CONDITIONS	TLC04/MF4A-50			TLC14/MF4A-100			UNIT
		MIN	TYP‡	MAX	MIN	TYP‡	MAX	
$V_{OO}$ Output offset voltage		25			50			mV
$V_{OM}$ Peak output voltage	$R_L = 10$ k $\Omega$	$V_{OM+}$	1.8	2	1.8	2	V	
		$V_{OM-}$	-1.25	-1.7	-1.25	-1.7		
$I_{OS}$ Short-circuit output current	$T_A = 25^\circ\text{C}$ , See Note 4	Source	-0.5			mA		
		Sink	4					
$I_{CC}$ Supply current	$f_{clock} = 250$ kHz	1.2	2.25	1.2	2.25	mA		

‡ All typical values are at  $T_A = 25^\circ\text{C}$ .

NOTE 4:  $I_{OS(source)}$  is measured by forcing the output to its maximum positive voltage and then shorting the output to the  $V_{CC-}$  terminal  
 $I_{OS(sink)}$  is measured by forcing the output to its maximum negative voltage and then shorting the output to the  $V_{CC+}$  terminal.



# TLC04/MF4A-50, TLC14/MF4A-100 BUTTERWORTH FOURTH-ORDER LOW-PASS SWITCHED-CAPACITOR FILTERS

SLAS021A – NOVEMBER 1986 – REVISED MARCH 1995

electrical characteristics over recommended operating free-air temperature range,  $V_{CC+} = 5\text{ V}$ ,  $V_{CC-} = -5\text{ V}$ ,  $f_{\text{clock}} \leq 250\text{ kHz}$  (unless otherwise noted)

## filter section

PARAMETER		TEST CONDITIONS	TLC04/MF4A-50			TLC14/MF4A-100			UNIT
			MIN	TYP†	MAX	MIN	TYP†	MAX	
$V_{OO}$	Output offset voltage		150			200			mV
$V_{OM}$	Peak output voltage	$V_{OM+}$	3.75	4.3		3.75	4.5		V
		$V_{OM-}$	-3.75	-4.1		-3.75	-4.1		
$I_{OS}$	Short-circuit output current	Source	-2			-2			mA
		Sink	5			5			
$I_{CC}$	Supply current	$f_{\text{clock}} = 250\text{ kHz}$	1.8	3		1.8	3		mA
$k_{SVS}$	Supply voltage sensitivity (see Figures 1 and 2)		-30			-30			dB

† All typical values are at  $T_A = 25^\circ\text{C}$ .

NOTE 4:  $I_{OS(\text{source})}$  is measured by forcing the output to its maximum positive voltage and then shorting the output to the  $V_{CC-}$  terminal.  $I_{OS(\text{sink})}$  is measured by forcing the output to its maximum negative voltage and then shorting the output to the  $V_{CC+}$  terminal.

## clocking section

PARAMETER		TEST CONDITIONS		MIN	TYP†	MAX	UNIT
$V_{IT+}$	Positive-going input threshold voltage	CLKIN	$V_{CC+} = 10\text{ V}$ , $V_{CC-} = 0$	6.1	7	8.9	V
			$V_{CC+} = 5\text{ V}$ , $V_{CC-} = 0$	3.1	3.5	4.4	
$V_{IT-}$	Negative-going input threshold voltage		$V_{CC+} = 10\text{ V}$ , $V_{CC-} = 0$	1.3	3	3.8	V
			$V_{CC+} = 5\text{ V}$ , $V_{CC-} = 0$	0.6	1.5	1.9	
$V_{hys}$	Hysteresis voltage ( $V_{IT+} - V_{IT-}$ )		$V_{CC+} = 10\text{ V}$ , $V_{CC-} = 0$	2.3	4	7.6	V
			$V_{CC+} = 5\text{ V}$ , $V_{CC-} = 0$	1.2	2	3.8	
$V_{OH}$	High-level output voltage	CLKR	$V_{CC} = 10\text{ V}$	$I_O = -10\text{ }\mu\text{A}$		9	V
			$V_{CC} = 5\text{ V}$			4.5	
$V_{OL}$	Low-level output voltage		$V_{CC} = 10\text{ V}$	$I_O = 10\text{ }\mu\text{A}$		1	V
			$V_{CC} = 5\text{ V}$			0.5	
Input leakage current			$V_{CC} = 10\text{ V}$	LS at midsupply, $T_A = 25^\circ\text{C}$		2	$\mu\text{A}$
			$V_{CC} = 5\text{ V}$			2	
$I_O$	Output current	$V_{CC} = 10\text{ V}$	CLKR and CLKIN shortened to $V_{CC-}$		-3	mA	
		$V_{CC} = 5\text{ V}$			-0.75		-2
		$V_{CC} = 10\text{ V}$	CLKR and CLKIN shortened to $V_{CC+}$		3	mA	
		$V_{CC} = 5\text{ V}$			0.75		2

† All typical values are at  $T_A = 25^\circ\text{C}$ .

**TLC04/MF4A-50, TLC14/MF4A-100**  
**BUTTERWORTH FOURTH-ORDER LOW-PASS**  
**SWITCHED-CAPACITOR FILTERS**  
 SLAS021A – NOVEMBER 1986 – REVISED MARCH 1995

**operating characteristics over recommended operating free-air temperature range,  $V_{CC+} = 2.5\text{ V}$ ,  $V_{CC-} = -2.5\text{ V}$  (unless otherwise noted)**

PARAMETER	TEST CONDITIONS	TLC04/MF4A-50			TLC14/MF4A-100			UNIT
		MIN	TYP†	MAX	MIN	TYP†	MAX	
Maximum clock frequency, $f_{max}$	See Note 2	1.5	3		1.5	3		MHz
Clock-to-cutoff-frequency ratio ( $f_{clock}/f_{CO}$ )	$f_{clock} \leq 250\text{ kHz}$ , $T_A = 25^\circ\text{C}$	49.27	50.07	50.87	99	100	101	Hz/Hz
Temperature coefficient of clock-to-cutoff frequency ratio	$f_{clock} \leq 250\text{ kHz}$	$\pm 25$			$\pm 25$			ppm/°C
Frequency response above and below cutoff frequency (see Note 5)	$f_{CO} = 5\text{ kHz}$ , $f_{clock} = 250\text{ kHz}$ , $T_A = 25^\circ\text{C}$	$f = 6\text{ kHz}$	-7.9	-7.57	-7.1			dB
		$f = 4.5\text{ kHz}$	-1.7	-1.46	-1.3			
	$f_{CO} = 5\text{ kHz}$ , $f_{clock} = 250\text{ kHz}$ , $T_A = 25^\circ\text{C}$	$f = 3\text{ kHz}$		-7.9	-7.42	-7.1		dB
		$f = 2.25\text{ kHz}$		-1.7	-1.51	-1.3		
Dynamic range (see Note 6)	$T_A = 25^\circ\text{C}$	80			78			dB
Stop-band frequency attenuation at $2 f_{CO}$	$f_{clock} \leq 250\text{ kHz}$	24	25		24	25		dB
Voltage amplification, dc	$f_{clock} \leq 250\text{ kHz}$ , $R_S \leq 2\text{ k}\Omega$	-0.15	0	0.15	-0.15	0	0.15	dB
Peak-to-peak clock feedthrough voltage	$T_A = 25^\circ\text{C}$	5			5			mV

† All typical values are at  $T_A = 25^\circ\text{C}$ .

- NOTES: 2. Above 250 kHz, the input clock duty cycle should be 50% to allow the operational amplifiers the maximum time to settle while processing analog samples.
5. The frequency responses at  $f$  are referenced to a dc gain of 0 dB.
6. The dynamic range is referenced to 1.06 V rms (1.5 V peak) where the wideband noise over a 30-kHz bandwidth is typically 106  $\mu\text{V}$  rms for the TLC04/MF4A-50 and 135  $\mu\text{V}$  rms for the TLC14/MF4A-100.

**operating characteristics over recommended operating free-air temperature range,  $V_{CC+} = 5\text{ V}$ ,  $V_{CC-} = -5\text{ V}$  (unless otherwise noted)**

PARAMETER	TEST CONDITIONS	TLC04/MF4A-50			TLC14/MF4A-100			UNIT
		MIN	TYP†	MAX	MIN	TYP†	MAX	
Maximum clock frequency, $f_{max}$	See Note 2	2	4		2	4		MHz
Clock-to-cutoff-frequency ratio ( $f_{clock}/f_{CO}$ )	$f_{clock} \leq 250\text{ kHz}$ , $T_A = 25^\circ\text{C}$	49.58	49.98	50.38	99	100	101	Hz/Hz
Temperature coefficient of clock-to-cutoff frequency ratio	$f_{clock} \leq 250\text{ kHz}$	$\pm 15$			$\pm 15$			ppm/°C
Frequency response above and below cutoff frequency (see Note 5)	$f_{CO} = 5\text{ kHz}$ , $f_{clock} = 250\text{ kHz}$ , $T_A = 25^\circ\text{C}$	$f = 6\text{ kHz}$	-7.9	-7.57	-7.1			dB
		$f = 4.5\text{ kHz}$	-1.7	-1.44	-1.3			
	$f_{CO} = 5\text{ kHz}$ , $f_{clock} = 250\text{ kHz}$ , $T_A = 25^\circ\text{C}$	$f = 3\text{ kHz}$		-7.9	-7.42	-7.1		dB
		$f = 2.25\text{ kHz}$		-1.7	-1.51	-1.3		
Dynamic range (see Note 6)	$T_A = 25^\circ\text{C}$	86			84			dB
Stop-band frequency attenuation at $2 f_{CO}$	$f_{clock} \leq 250\text{ kHz}$	24	25		24	25		dB
Voltage amplification, dc	$f_{clock} \leq 250\text{ kHz}$ , $R_S \leq 2\text{ k}\Omega$	-0.15	0	0.15	-0.15	0	0.15	dB
Peak-to-peak clock feedthrough voltage	$T_A = 25^\circ\text{C}$	7			7			mV

† All typical values are at  $T_A = 25^\circ\text{C}$ .

- NOTES: 2. Above 250 kHz, the input clock duty cycle should be 50% to allow the operational amplifiers the maximum time to settle while processing analog samples.
5. The frequency responses at  $f$  are referenced to a dc gain of 0 dB.
6. The dynamic range is referenced to 2.82 V rms (4 V peak) where the wideband noise over a 30-kHz bandwidth is typically 142  $\mu\text{V}$  rms for the TLC04/MF4A-50 and 178  $\mu\text{V}$  rms for the TLC14/MF4A-100.

TYPICAL CHARACTERISTICS

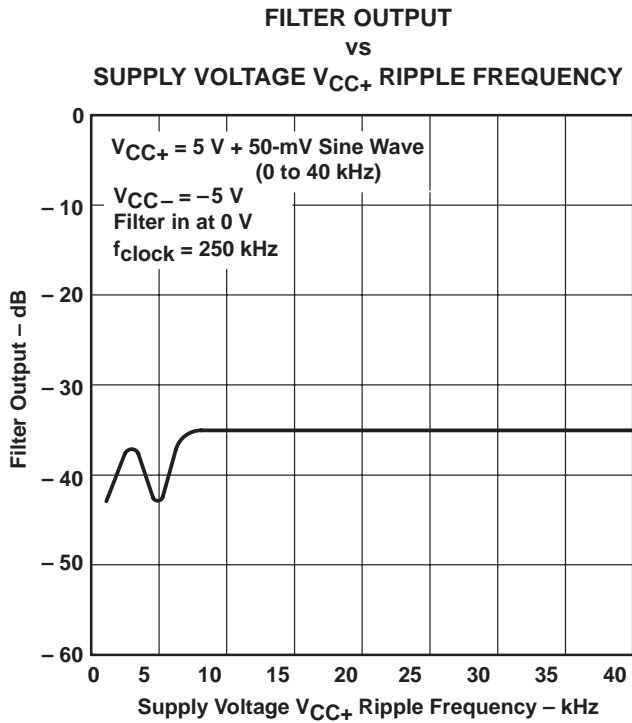


Figure 1

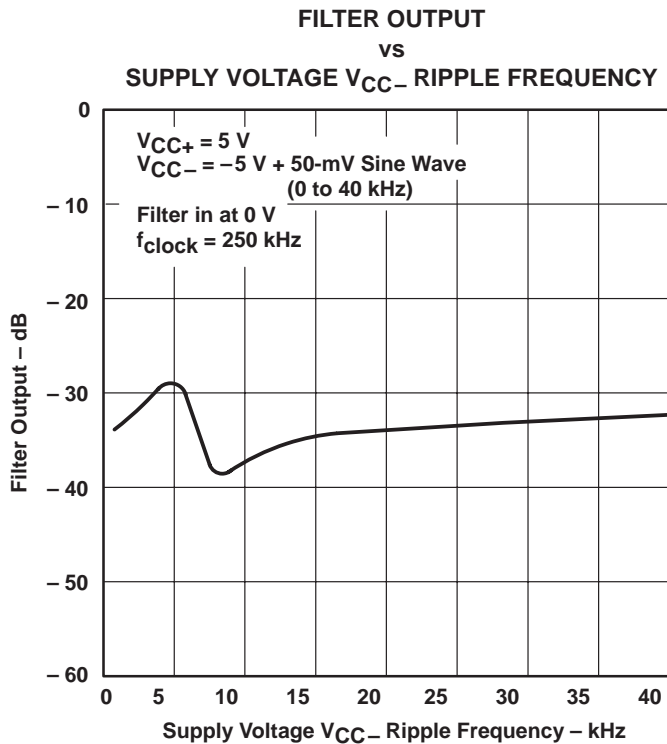


Figure 2

APPLICATION INFORMATION

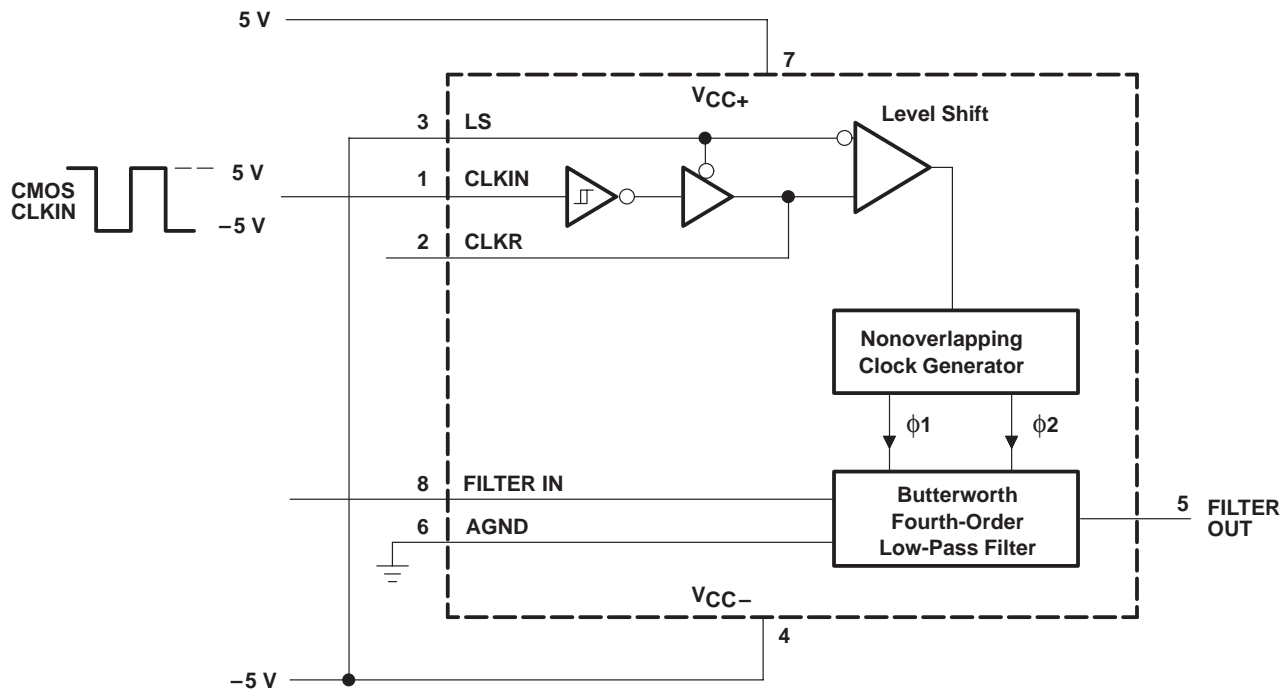


Figure 3. CMOS-Clock-Driven Dual-Supply Operation

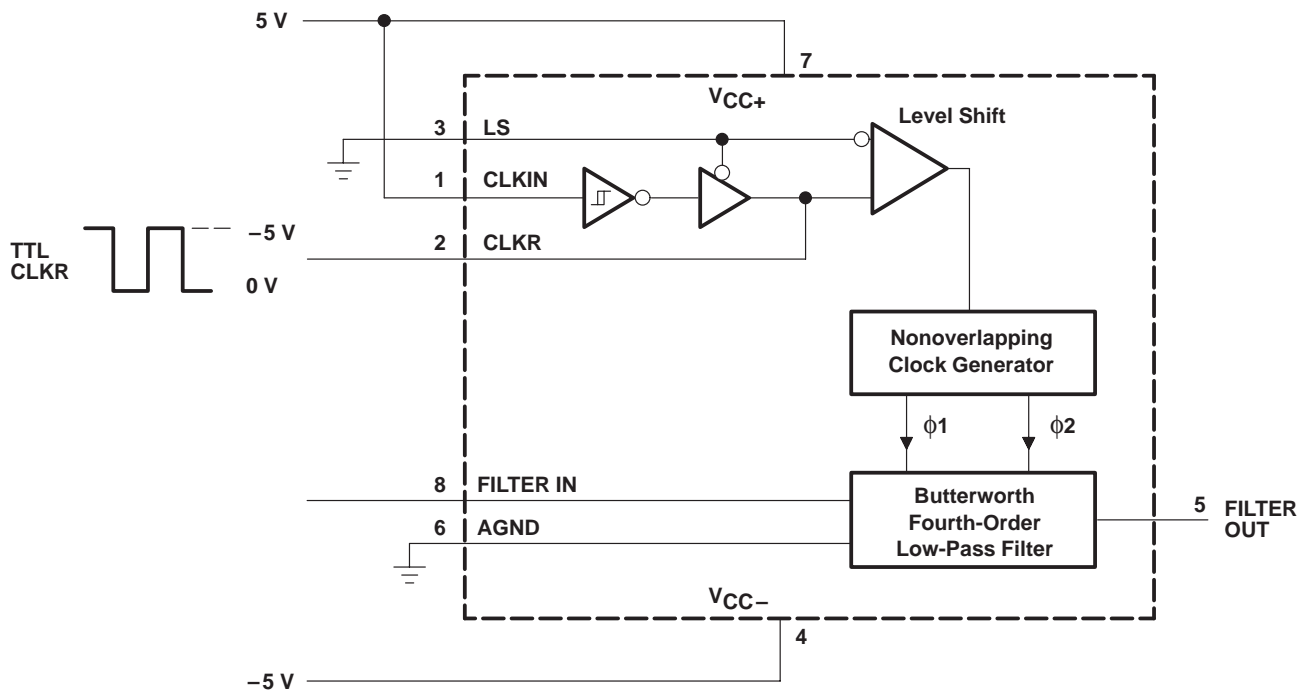
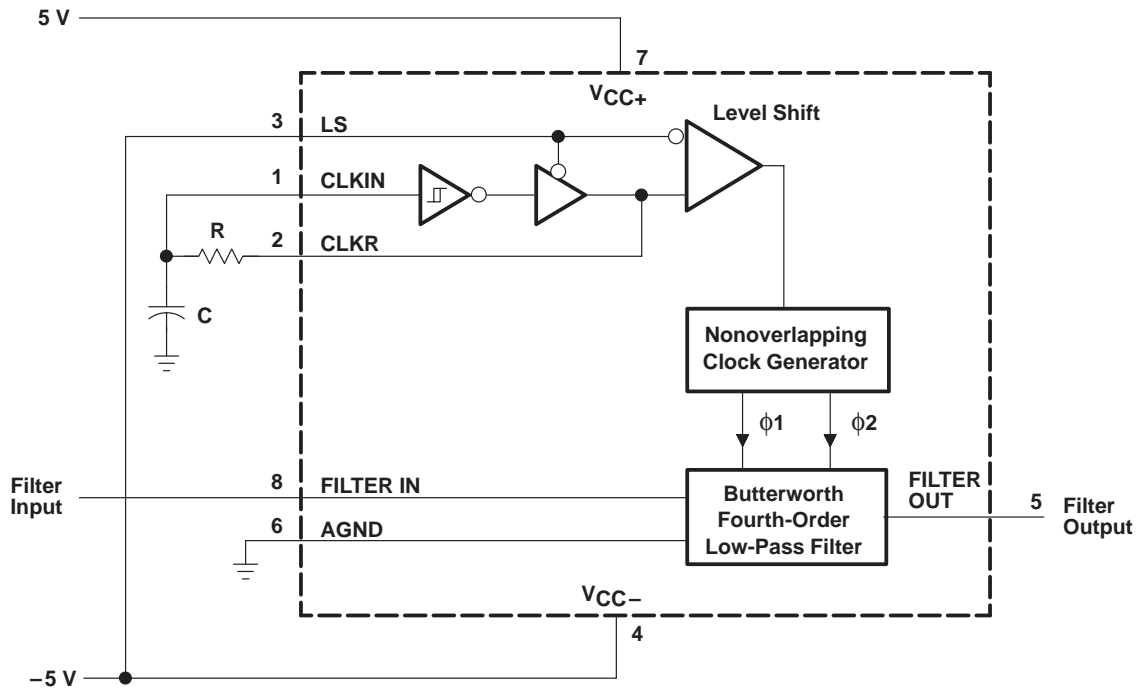


Figure 4. TTL-Clock-Driven Dual-Supply Operation

APPLICATION INFORMATION



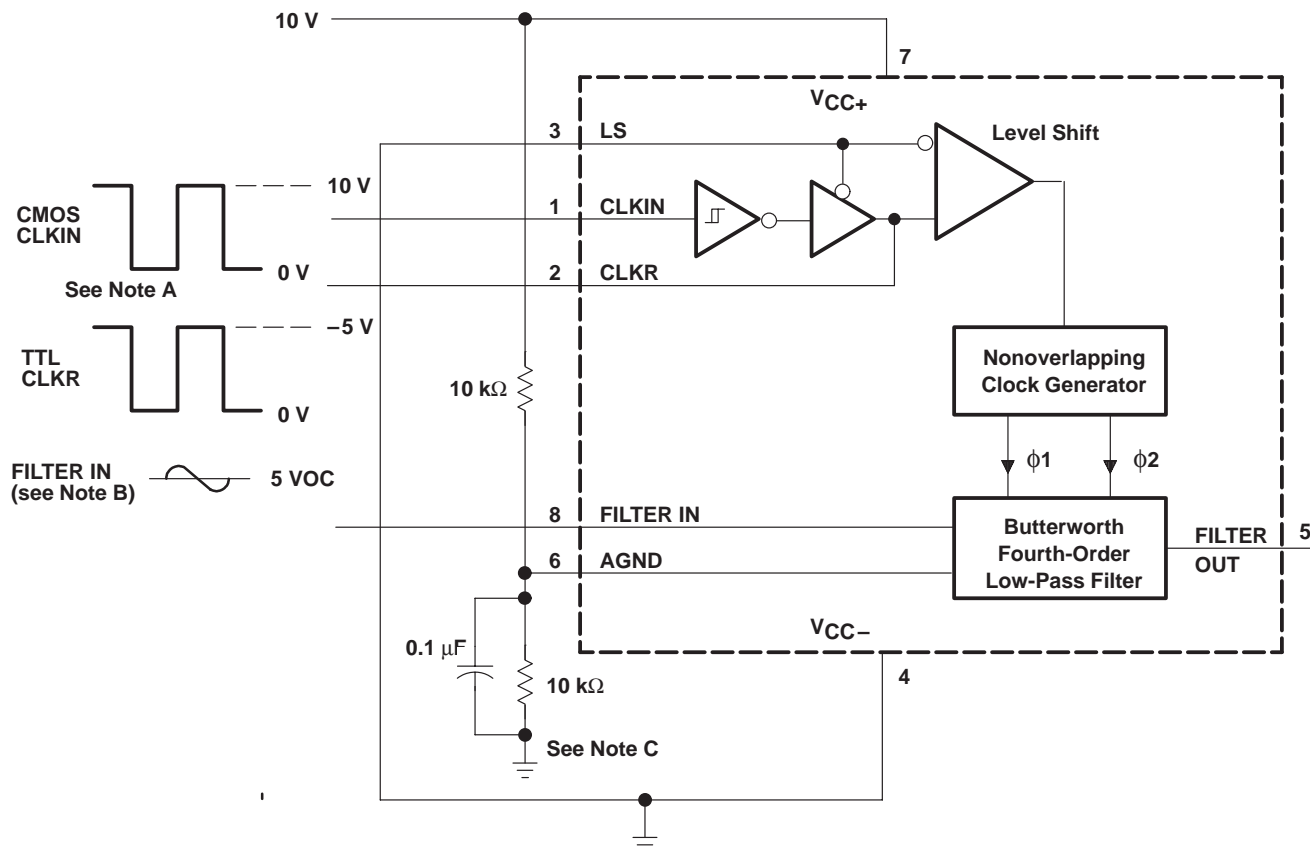
$$f_{\text{clock}} = \frac{1}{RC \times \ln \left[ \left( \frac{V_{CC} - V_{IT-}}{V_{CC} - V_{IT+}} \right) \left( \frac{V_{IT+}}{V_{IT-}} \right) \right]}$$

For  $V_{CC} = 10 \text{ V}$

$$f_{\text{clock}} = \frac{1}{1.69 RC}$$

Figure 5. Self-Clocking Through Schmitt-Trigger Oscillator Dual-Supply Operation

APPLICATION INFORMATION

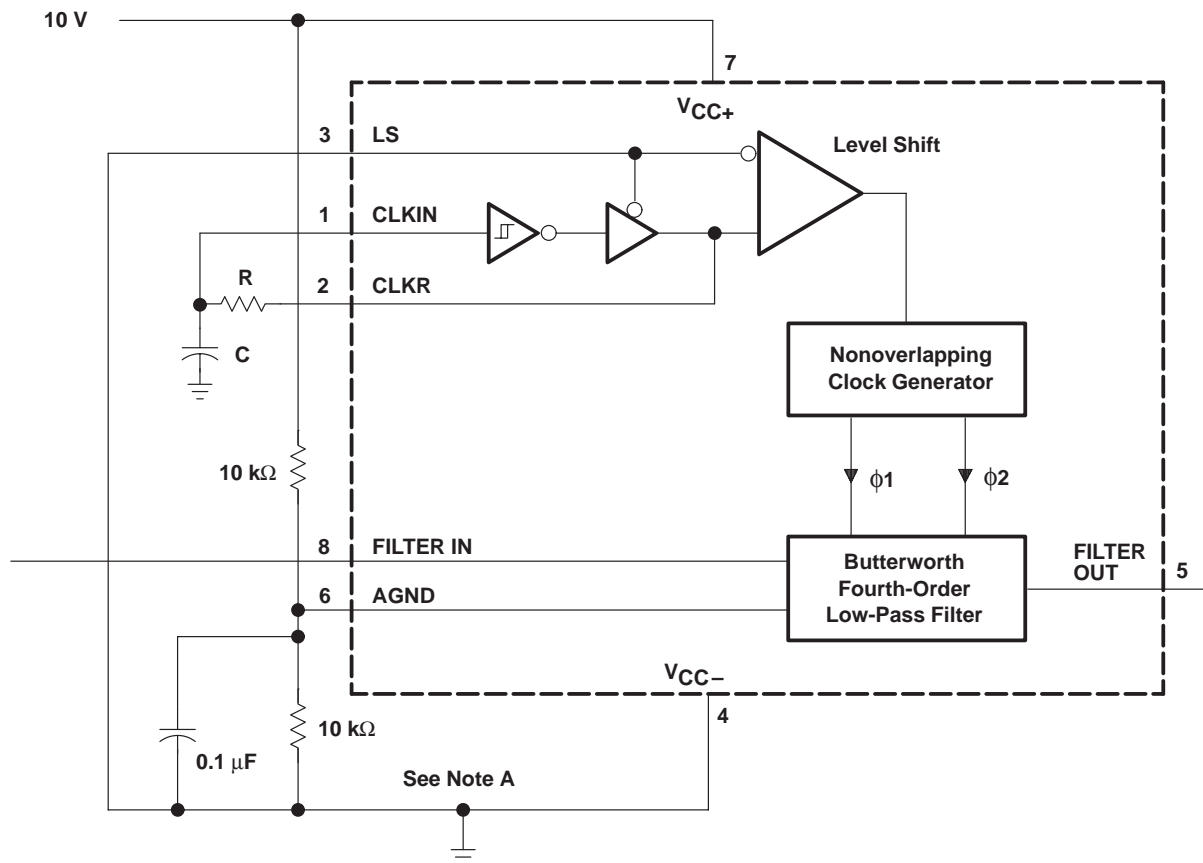


- NOTES: A. The external clock used must be of CMOS level because the clock is input to a CMOS Schmitt trigger.  
 B. The filter input signal should be dc-biased to midsupply or ac-coupled to the terminal.  
 C. AGND must be biased to midsupply.

Figure 6. External-Clock-Driven Single-Supply Operation

**TLC04/MF4A-50, TLC14/MF4A-100**  
**BUTTERWORTH FOURTH-ORDER LOW-PASS**  
**SWITCHED-CAPACITOR FILTERS**  
 SLAS021A – NOVEMBER 1986 – REVISED MARCH 1995

**APPLICATION INFORMATION**



$$f_{\text{clock}} = \frac{1}{RC \times \ln \left[ \left( \frac{V_{CC} - V_{IT-}}{V_{CC} - V_{IT+}} \right) \left( \frac{V_{IT+}}{V_{IT-}} \right) \right]}$$

For  $V_{CC} = 10 \text{ V}$

$$f_{\text{clock}} = \frac{1}{1.69 RC}$$

NOTE A: AGND must be biased to midsupply.

**Figure 7. Self Clocking Through Schmitt-Trigger Oscillator Single-Supply Operation**

APPLICATION INFORMATION

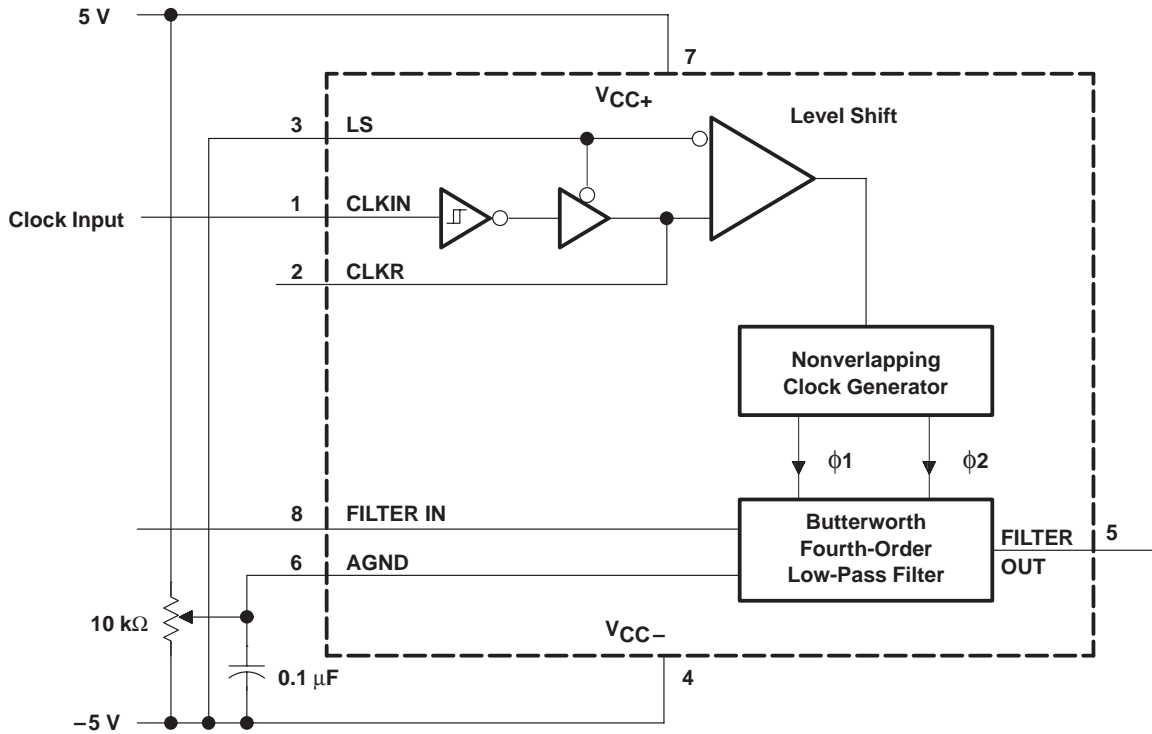


Figure 8. DC Offset Adjustment

**TAPE AND REEL INFORMATION**

**QUADRANT ASSIGNMENTS FOR PIN 1 ORIENTATION IN TAPE**


\*All dimensions are nominal

Device	Package Type	Package Drawing	Pins	SPQ	Reel Diameter (mm)	Reel Width W1 (mm)	A0 (mm)	B0 (mm)	K0 (mm)	P1 (mm)	W (mm)	Pin1 Quadrant
TLC04IDR	SOIC	D	8	2500	330.0	12.4	6.4	5.2	2.1	8.0	12.0	Q1

## TAPE AND REEL BOX DIMENSIONS



\*All dimensions are nominal

Device	Package Type	Package Drawing	Pins	SPQ	Length (mm)	Width (mm)	Height (mm)
TLC04IDR	SOIC	D	8	2500	350.0	350.0	43.0

**TUBE**


\*All dimensions are nominal

Device	Package Name	Package Type	Pins	SPQ	L (mm)	W (mm)	T (μm)	B (mm)
TLC04CD	D	SOIC	8	75	505.46	6.76	3810	4
TLC04ID	D	SOIC	8	75	505.46	6.76	3810	4
TLC14CD	D	SOIC	8	75	505.46	6.76	3810	4
TLC14ID	D	SOIC	8	75	505.46	6.76	3810	4
TLC14IDG4	D	SOIC	8	75	505.46	6.76	3810	4

## IMPORTANT NOTICE AND DISCLAIMER

TI PROVIDES TECHNICAL AND RELIABILITY DATA (INCLUDING DATA SHEETS), DESIGN RESOURCES (INCLUDING REFERENCE DESIGNS), APPLICATION OR OTHER DESIGN ADVICE, WEB TOOLS, SAFETY INFORMATION, AND OTHER RESOURCES "AS IS" AND WITH ALL FAULTS, AND DISCLAIMS ALL WARRANTIES, EXPRESS AND IMPLIED, INCLUDING WITHOUT LIMITATION ANY IMPLIED WARRANTIES OF MERCHANTABILITY, FITNESS FOR A PARTICULAR PURPOSE OR NON-INFRINGEMENT OF THIRD PARTY INTELLECTUAL PROPERTY RIGHTS.

These resources are intended for skilled developers designing with TI products. You are solely responsible for (1) selecting the appropriate TI products for your application, (2) designing, validating and testing your application, and (3) ensuring your application meets applicable standards, and any other safety, security, regulatory or other requirements.

These resources are subject to change without notice. TI grants you permission to use these resources only for development of an application that uses the TI products described in the resource. Other reproduction and display of these resources is prohibited. No license is granted to any other TI intellectual property right or to any third party intellectual property right. TI disclaims responsibility for, and you will fully indemnify TI and its representatives against, any claims, damages, costs, losses, and liabilities arising out of your use of these resources.

TI's products are provided subject to [TI's Terms of Sale](#) or other applicable terms available either on [ti.com](https://www.ti.com) or provided in conjunction with such TI products. TI's provision of these resources does not expand or otherwise alter TI's applicable warranties or warranty disclaimers for TI products.

TI objects to and rejects any additional or different terms you may have proposed.

Mailing Address: Texas Instruments, Post Office Box 655303, Dallas, Texas 75265  
Copyright © 2023, Texas Instruments Incorporated

## Looking for pricing, stock, or lifecycle information?

Click below to explore more details on WIN SOURCE:

 [View XC3S250E-4FTG256C on WIN SOURCE](#)

 [Xilinx Inc. Information](#)

## Optimize Your Supply Chain with WIN SOURCE Solutions

-  Global Sourcing Solution
-  Obsolete Management
-  Cost Control Management
-  Shortage Management
-  Alternative Solution
-  Excess Inventory Management