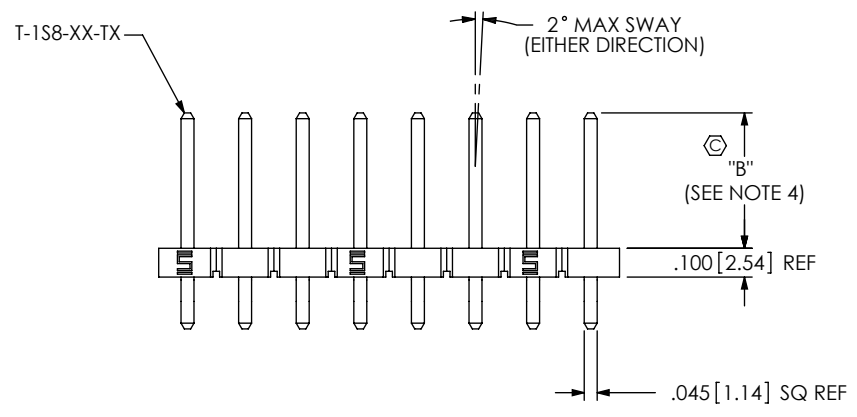
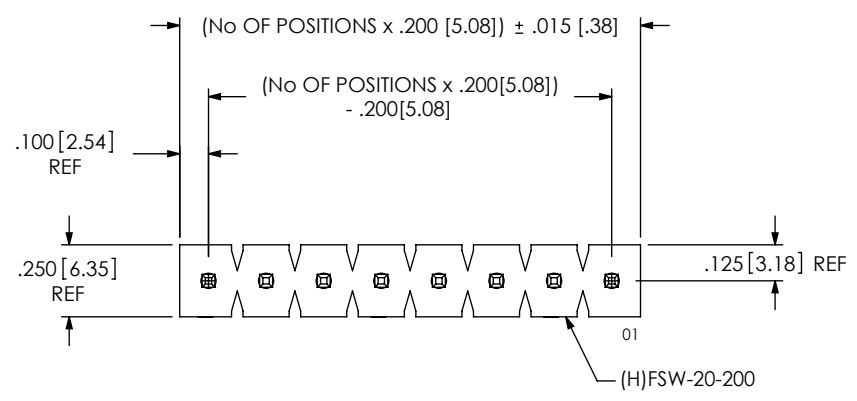


DO NOT SCALE FROM THIS PRINT

FIG 1
THRU HOLE OPTION
 (XFWS-08-XX-T-S SHOWN)
 SEE NOTE 9



XFWS-XX-XX-XX-S-XX-X

BODY SPECIFICATION
 -H: HIGH TEMP (USE HFSW-20-200)
 BLANK: STANDARD (USE FSW-20-200)

No OF POSITIONS
 -01 THRU -20

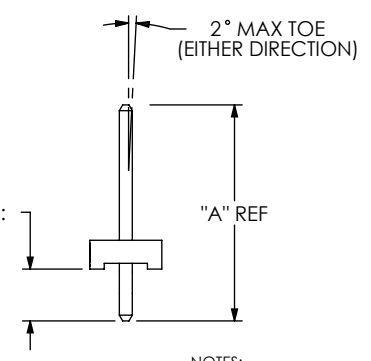
LEAD STYLE
 (SEE TABLE 1, 2, 3)

PLATING SPECIFICATION
 -T: TIN (USE T-1S8-XX-T)
 -TM: MATTE TIN (USE T-1S8-XX-TM)

OPTION
 -P: PICK AND PLACE PAD (USE PPP-47, SEE FIG 2)
 (-VS ONLY, 3 POS MIN. .275 MIN POST HEIGHT) (SEE FIG 4 SHEET 2)

OPTION
 -RA: RIGHT ANGLE (POST) (N/A) WITH -VS OPTION (SEE FIG 3 SHEET 2)
 -VS: VERTICAL SURFACE MOUNT (HFSW ONLY, 2 POS MIN.) (SEE FIG 2 SHEET 2)
 LEAVE BLANK FOR THRU HOLE (SEE FIG 1 SHEET 1)

ROW SPECIFICATION
 -S: SINGLE (HFSW: USE HFSW-20-200) (FSW: USE FSW-20-200)



NOTES:

1. Ⓢ REPRESENTS A CRITICAL DIMENSION.
2. MINIMUM PUSHOUT FORCE: 3 lbs.
3. MAXIMUM ALLOWABLE BOW: .003[.08] IN/IN AFTER ASSEMBLY.
4. HEIGHT VARIATION BETWEEN ANY 2 PINS: .005[.13] MAX.
5. -----
6. -----
7. MAXIMUM ALLOWABLE FLASH: .020[.51].
8. MAXIMUM PIN ROTATION IN BODY: 2 DEGREES.
9. THRU HOLE AND RIGHT ANGLE PARTS TO BE BULK PACKAGED.
10. -VS PARTS TO BE PACKAGED AS:
 POSITIONS -02 AND -03: LAYER PACKAGED.
 POSITIONS -04 THRU -20: TUBE PACKAGED.
11. TAILS ARE TO BE SHEARED TO PROPER LENGTH.
12. T-1S8-XX MUST BE FLIPPED IN THE OPPOSITE WAY AS THE SELECTIVE PINS TO REDUCE THE NUMBER OF BAND MARKS IN THE POST AREA.

TABLE 1 : THRU HOLE OPTION

STYLE	TERMINAL	"A" OVERALL HEIGHT	"B" POST HEIGHT	"C" TAIL DIM.
-01	T-1S8-01-TX	.750 [19.05]	.470 [11.94]	.180 [4.57]
-02	T-1S8-02-TX	.800 [20.32]	.520 [13.21]	.180 [4.57]
-04	T-1S8-04-TX	1.090 [27.69]	.829 [21.06]	.161 [4.10]
-05	T-1S8-01-TX	.430 [10.92]	.150 [3.81]	.180 [4.57]
-06	T-1S8-05-TX	1.350 [34.29]	1.070 [27.18]	.180 [4.57]

UNLESS OTHERWISE SPECIFIED, DIMENSIONS ARE IN INCHES. TOLERANCES ARE:
 DECIMALS ANGLES
 .XX: ±.01 [.3] ±2°
 .XXX: ±.005 [.13]
 .XXXX: ±.0020 [.051]

PROPRIETARY NOTE
 THIS DOCUMENT CONTAINS INFORMATION CONFIDENTIAL AND PROPRIETARY TO SAMTEC, INC. AND SHALL NOT BE REPRODUCED OR TRANSFERRED TO OTHER DOCUMENTS OR DISCLOSED TO OTHERS OR USED FOR ANY PURPOSE OTHER THAN THAT WHICH IT WAS OBTAINED WITHOUT THE EXPRESSED WRITTEN CONSENT OF SAMTEC, INC.



520 PARK EAST BLVD. NEW ALBANY, IN 47150
 PHONE: 812-944-6733 FAX: 812-948-5047
 e-Mail: info@SAMTEC.com code: 55322

MATERIAL: DO NOT SCALE DRAWING
 INSULATOR: HFSW: VECTRA E130i, COLOR: NATURAL
 FWS: VALOX 420 SEO, COLR: BLACK
 TERMINAL: PHOS BRONZE

SHEET SCALE: 1.5:1

DESCRIPTION:
 .045 [1.14] SQ POST POWER BLOCK ASSEMBLY, .200 [5.08]
DWG. NO. XFWS-XX-XX-XX-S-XX-X
BY: T. WERNE 9/27/2000 **SHEET 1 OF 2**

FIG 2

-VS: VERTICAL SURFACE MOUNT OPTION

-01 & -02 LEAD STYLES ONLY
(HFSW-08-01-TX-S-VS SHOWN)

[DIFFERENT AS SHOWN, OTHERWISE SAME AS THRU HOLE]

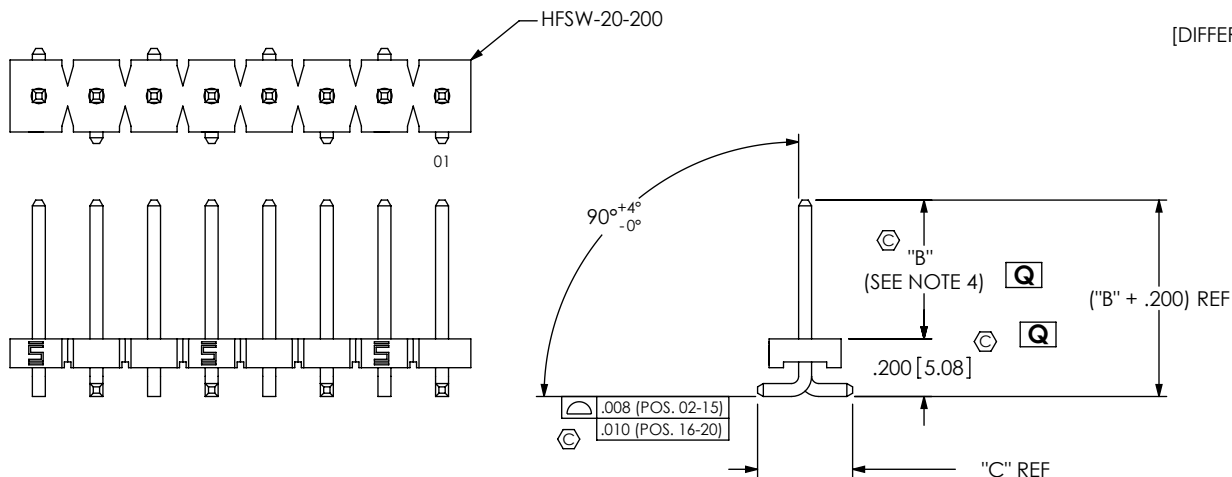


TABLE 2: -VS OPTION

TERMINAL	"B" POST HEIGHT	"C" TAIL DIM. (AFTER BEND)	"F" TAIL DIM (BEFORE BEND)
T-1S8-01-TX	0.422 [10.72]	.340 [8.64]	.228 [5.79]
T-1S8-02-TX	0.482 [12.24]	.330 [8.38]	.218 [5.54]

FIG 3

-RA: RIGHT ANGLE (POST) OPTION

-02 & -04 STYLES ONLY
(XFWS-XX-XX-TX-S-RA SHOWN)
SEE NOTE 9

[DIFFERENT AS SHOWN, OTHERWISE SAME AS THRU HOLE]

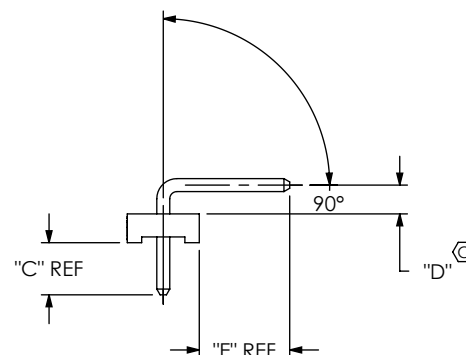
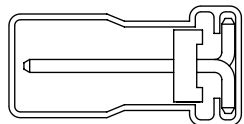


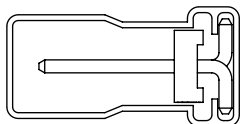
TABLE 3: -RA OPTION

STYLE	TERMINAL	"B" IN-PROCESS POST	"C" TAIL DIM.	"D" PROFILE	"E" FINAL POST
-02	T-1S8-02-TX	.520 [13.21]	.180 [4.57]	.100 [2.54]	.318 [8.08]
-04	T-1S8-04-TX	.829 [21.06]	.156 [3.96]	.195 [4.95]	.544 [13.82]



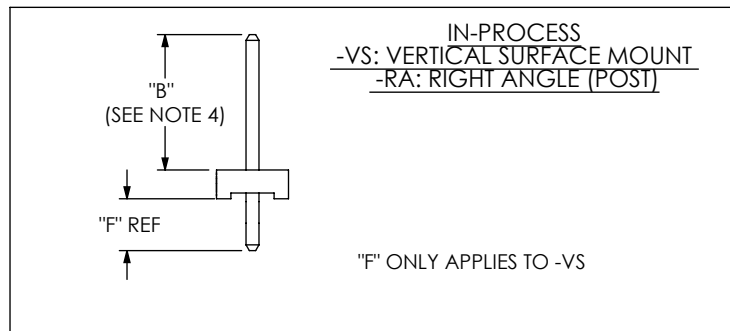
XFWS-XX-02-XX-XX-S-VS

PACKAGING VIEW
USE PT-XFWS001-VS TUBE
USE TP-13 TUBE PLUG



XFWS-XX-01-XX-XX-S-VS

PACKAGING VIEW
USE PT-XFWS001-VS TUBE
USE TP-13 TUBE PLUG



F:\DWG\MISC\MKTG\XFWS-XX-XX-XX-S-XX-X-MKT.SLDDRW

-P: PICK & PLACE PAD

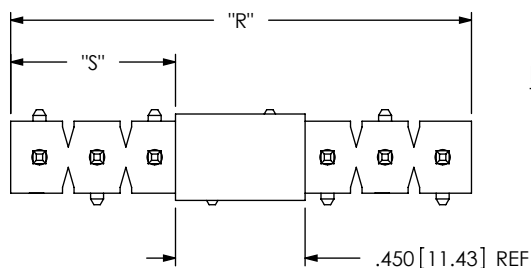
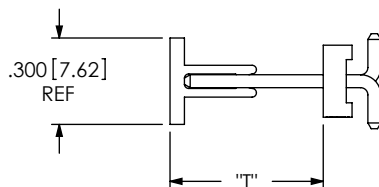


FIG 4

"R" = No OF POS x .200 [5.08] REF
"S" = (("R" - .450 [11.43]) / 2) ± .020 [.51]
"T" = POST HEIGHT + .050 [1.27] REF



PROPRIETARY NOTE

THIS DOCUMENT CONTAINS INFORMATION CONFIDENTIAL AND PROPRIETARY TO SAMTEC, INC. AND SHALL NOT BE REPRODUCED OR TRANSFERRED TO OTHER DOCUMENTS OR DISCLOSED TO OTHERS OR USED FOR ANY PURPOSE OTHER THAN THAT WHICH IT WAS OBTAINED WITHOUT THE EXPRESSED WRITTEN CONSENT OF SAMTEC, INC.

DO NOT SCALE DRAWING

SHEET SCALE: 1:0.666667



520 PARK EAST BLVD, NEW ALBANY, IN 47150
PHONE: 812-944-6733 FAX: 812-948-5047
e-Mail: info@SAMTEC.com code: 55322

DESCRIPTION:
.045 [1.14] SQ POST POWER BLOCK ASSEMBLY, .200 [5.08]

DWG. NO. **XFWS-XX-XX-XX-S-XX-X**

BY: T. WERNE 9/27/2000 SHEET 2 OF 2

Looking for pricing, stock, or lifecycle information?

Click below to explore more details on WIN SOURCE:

- ⊖ [View WS1401 on WIN SOURCE](#)
- ⊖ [Broadcom Limited Information](#)

Optimize Your Supply Chain with WIN SOURCE Solutions

- ✓ Global Sourcing Solution
- ✓ Obsolete Management
- ✓ Cost Control Management
- ✓ Shortage Management
- ✓ Alternative Solution
- ✓ Excess Inventory Management