



**THE DATASHEET OF
WR-30P-VF-N1-R1500**



8E001PS
(DRAWING NO.)

版数 REV.	年月日 DATE	DCN NO.	変更内容 DESCRIPTION	製図 DR.	担当 CHK.	査閲 APPD.	承認 APPD.

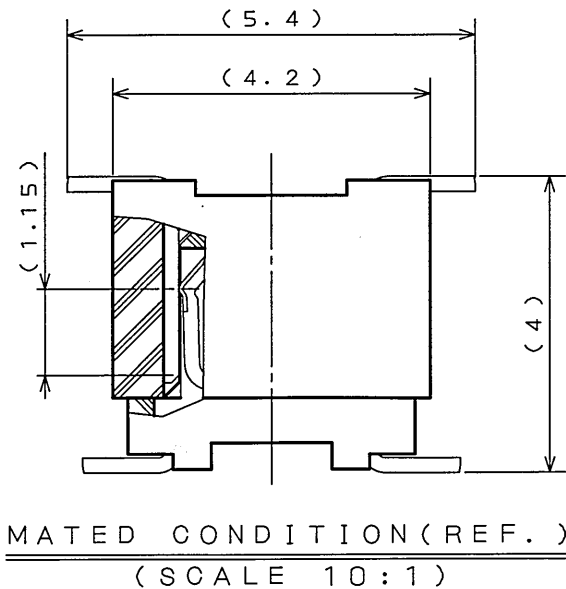
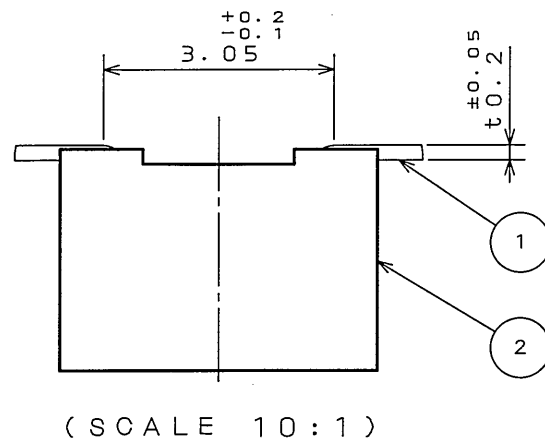
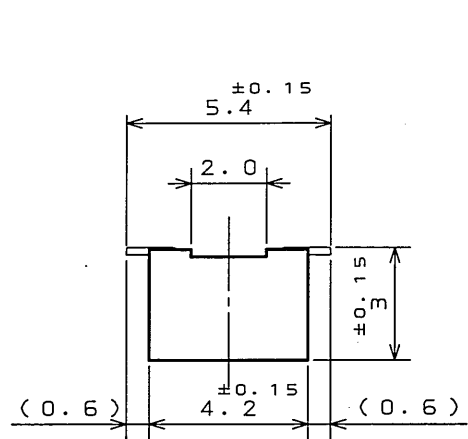
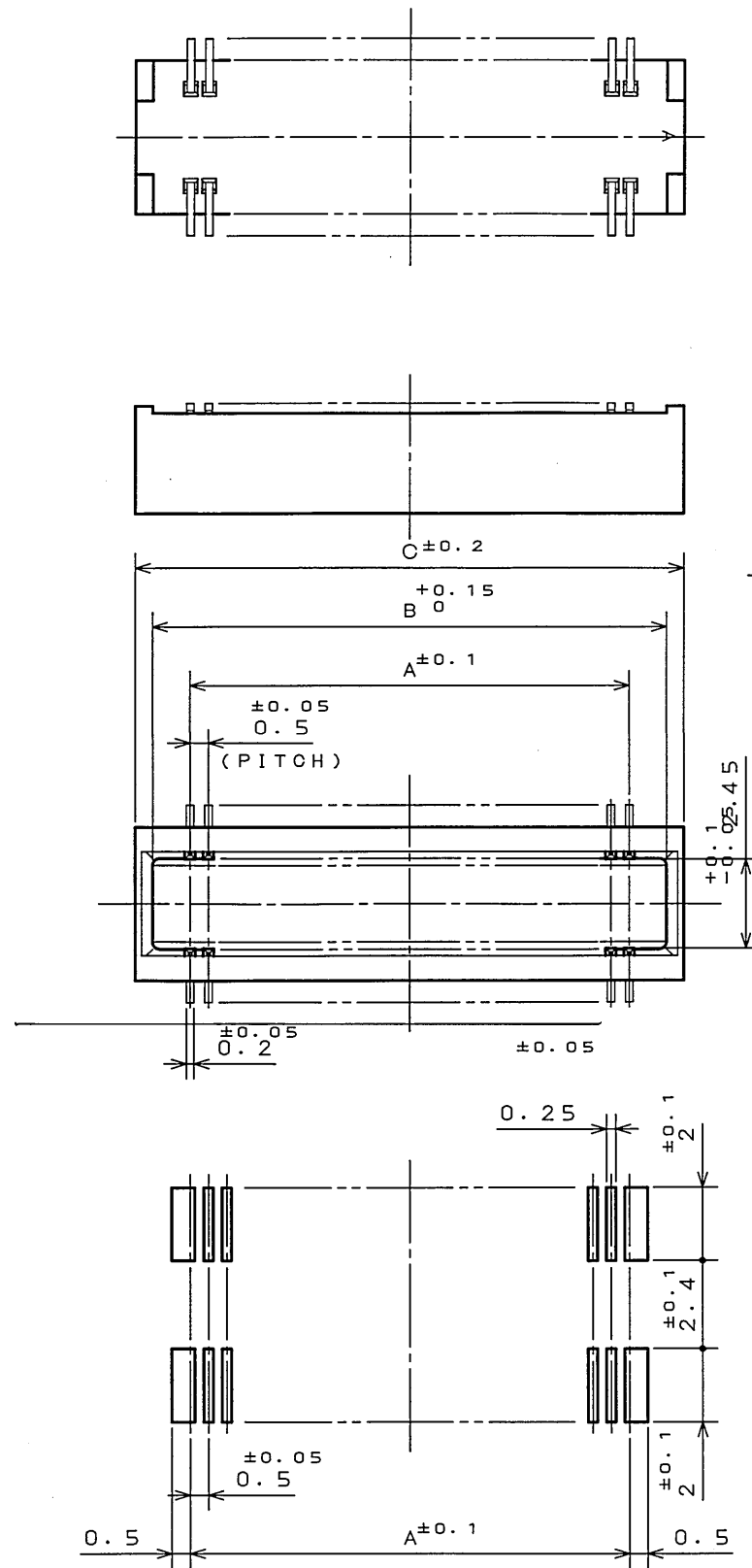


TABLE 1

No. OF CONTACT(N)	A	B	C
20	4.5	6.5	7.5
30	7.0	9.0	10.0
40	9.5	11.5	12.5
50	12.0	14.0	15.0
60	14.5	16.5	17.5
70	17.0	19.0	20.0
80	19.5	21.5	22.5
100	24.5	26.5	27.5
120	29.5	31.5	32.5
160	39.5	41.5	42.5

TABLE 2

FINISH	CONTACT AREA	TERMINAL AREA
N 1	GOLD(0.1μm MIN)OVER NICKEL	GOLD FLASH OVER NICKEL

NOTE1. COPLANARITY IS AS PER APPLICABLE SPECIFICATION.
注1. 端子の振れ規定は適用仕様書による。

APPLICABLE P.C.B. DIMENSION (REF.)
(CONNECTOR MOUNTING SIDE)

DOF-0-212E(03.08)



2	INSULATOR	1	GLASS FILLED PPS		COLOR:BLACK
1	CONTACT	N	PHOSPHOR BRONZE	TABLE 2	
符号 NO.	名称 DESCRIPTION	個数 QTY.	材料 MATERIAL	仕上 FINISH	備考 REMARKS
仕様書 (SPECIFICATION)	JACS-1385-*	第1版 (ORIGINAL DATE)	4.Dec.2003	尺 (SCALE)	シリーズ (SERIES)
公差 (GENERAL TOLERANCE)		製図 DR.	M.TANAKA	名称 (TITLE)	Reference
寸法 (DIMENSION)	角度 (ANGLES)	担当 CHK.	T.SHIODA	WR-*P-VF-N1	日本航空電子工業株式会社
. ±0.8	X° ±	査閲 APPD.	K. Kawada		AVIATION ELECTRONICS INDUSTRY, LTD.
.X ±0.4	X°X' ±	承認 APPD.	S. Kashinagi		
.XX ±0.1				重量 (WEIGHT)	図面番号 (DRAWING NO.)
.XXX ±					SJ100338

LEAD FREE この製品は鉛フリー品です

JAE CONNECTOR DIV. PROPRIETARY.
COPYRIGHT (C) 2003. JAPAN AVIATION ELECTRONICS INDUSTRY, LTD.

Looking for pricing, stock, or lifecycle information?

Click below to explore more details on WIN SOURCE:

 [View WR-30P-VF-N1-R1500 on WIN SOURCE](#)

 [JAE Electronics](#) Information

Optimize Your Supply Chain with WIN SOURCE Solutions

-  Global Sourcing Solution
-  Obsolete Management
-  Cost Control Management
-  Shortage Management
-  Alternative Solution
-  Excess Inventory Management