



**THE DATASHEET OF**  
**AA103-72**



**DATA SHEET**

# AA103-72/-72LF: 10 MHz - 2.5 GHz GaAs One-Bit Digital Attenuator (10 dB LSB)


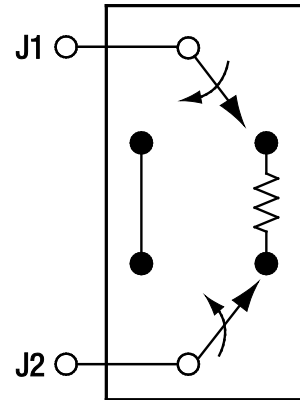
**Applications**

- Cellular radio
- Wireless data systems
- WLL gain level control circuits

**Features**

- Attenuation: 10 dB
- Single, positive control voltage: 3 V
- Low loss
- Small SOT-5 package (MSL1, 260 °C per JEDEC J-STD-020)

**NEW** Skyworks offers lead (Pb)-free, RoHS (Restriction of Hazardous Substances)-compliant packaging.

S2351

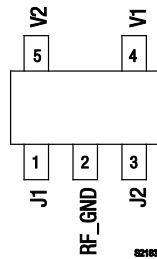
**Figure 1. AA103-72/-72LF Block Diagram**

**Description**

The AA103-72/-72LF are one-bit GaAs FET digital attenuators in a low-cost SOT-5 package. These devices provide an LSB of 10 dB.

The AA103-72/-72LF are particularly suited where high attenuation accuracy, low insertion loss, and low intermodulation products are required.

A functional block diagram is shown in Figure 1. The pin configuration and package are shown in Figure 2. Signal pin assignments and functional pin descriptions are provided in Table 1.



**Figure 2. AA103-72/-72LF Pinout – 5-Pin SOT-5 (Top View)**

**Table 1. AA103-72/-72LF Signal Descriptions**

Pin #	Name	Description	Pin #	Name	Description
1	J1	RF port. Must be DC blocked.	4	V1	DC control bias
2	RF_GND	RF ground. Must be AC-coupled to ground.	5	V2	DC control bias
3	J2	RF port. Must be DC blocked.			

**Table 2. AA103-72/-72LF Absolute Maximum Ratings**

Parameter	Symbol	Minimum	Maximum	Units
RF input power	P <sub>IN</sub>		1 W > 500 MHz 0/8 V 0.5 W @ 50 MHz 0/8 V	dBm dBm
Supply voltage	V <sub>S</sub>		8	V
Control voltage	V <sub>CTL</sub>	-0.2	+8.0	V
Operating temperature	T <sub>OP</sub>	-40	+85	°C
Storage temperature	T <sub>STG</sub>	-65	+150	°C

**Note:** Exposure to maximum rating conditions for extended periods may reduce device reliability. There is no damage to device with only one parameter set at the limit and all other parameters set at or below their nominal value. Exceeding any of the limits listed here may result in permanent damage to the device.

---

**CAUTION:** Although this device is designed to be as robust as possible, Electrostatic Discharge (ESD) can damage this device. This device must be protected at all times from ESD. Static charges may easily produce potentials of several kilovolts on the human body or equipment, which can discharge without detection. Industry-standard ESD precautions should be used at all times.

---

**Electrical and Mechanical Specifications**

The absolute maximum ratings of the AA103-72/-72LF are provided in Table 2. Electrical specifications are provided in Tables 3.

Typical performance characteristics of the AA103-72/-72LF are illustrated in Figures 3 through 5.

The state of the AA103-72/-72LF is determined by the logic provided in Table 4.

**Table 3. AA103-72/-72LF Electrical Specifications (Note 1)**  
**(V<sub>CTL</sub> = 0/3 V Characteristic Impedance [Z<sub>0</sub>] = 50 Ω, Unless Otherwise Noted)**

Parameter	Symbol	Test Condition (Note 2)	Min	Typical	Max	Units
Insertion loss (Note 2)	IL	10 MHz to 0.5 GHz		0.3	0.5	dB
		0.5 GHz to 1.0 GHz		0.3	0.6	dB
		1.0 GHz to 2.5 GHz		0.4	0.7	dB
Attenuation range				10		dB
Attenuation accuracy (Note 3)		10 MHz to 1.0 GHz	± (0.25 + 3% of attenuation setting)			dB
		1.0 GHz to 2.5 GHz	± (0.4 + 5% of attenuation setting)			dB
Voltage Standing Wave Ratio (I/O)	VSWR	10 MHz to 2.5 GHz		1.2:1	1.4:1	–
Voltage Standing Wave Ratio (attenuation state) (Note 4)	VSWR	0.01 GHz to 2.5 GHz		1.5:1	2.0:1	–
Switching characteristics (Note 4):		10/90% or 90/10% RF 50% V <sub>CTL</sub> to 90/10% RF T <sub>RISE</sub> = 1 ns, bandwidth = 500 MHz		150		ns
				300		ns
				70		mV
1 dB Input Compression Point	IP1dB	0.5 to 2.5 GHz: V <sub>S</sub> = 3 V, V <sub>S</sub> = 5 V		+20		dBm
				+26		dBm
3 <sup>rd</sup> Order Input Intercept Point	IIP3	For two-tone input, P <sub>IN</sub> = +10 dBm/tone, 0.5 to 2.5 GHz: V <sub>S</sub> = 3 V V <sub>S</sub> = 5 V		+41		dBm
				+45		dBm
Control voltages	V <sub>CTL</sub>	V <sub>CTL</sub> = V <sub>LOW</sub> V <sub>CTL</sub> = V <sub>HIGH</sub>	0 3 @ 25 μA typical to 5 V		0.2 5 @ 50 μA typical	V V

**Note 1:** Performance is guaranteed only under the conditions listed in this Table.

**Note 2:** Insertion loss changes by 0.003 dB/ °C.

**Note 3:** Maximum attenuation includes insertion loss.

**Note 4:** Switching characteristics vary with value chosen for bypass capacitor.

**Table 4. AA103-72/-72LF Truth Table**

J1 to J2	V1 (Pin 4)	V2 (Pin 6)
Insertion loss	V <sub>HIGH</sub>	0
Attenuation	0	V <sub>HIGH</sub>

**Note:** V<sub>HIGH</sub> = +3 V to +5 V (V<sub>S</sub> = V<sub>HIGH</sub> ± 0.2 V).  
 All other conditions not recommended.

### Typical Performance Characteristics

( $V_{CTL} = 0/3 V$  Characteristic Impedance [ $Z_0$ ] = 50  $\Omega$ , Unless Otherwise Noted)

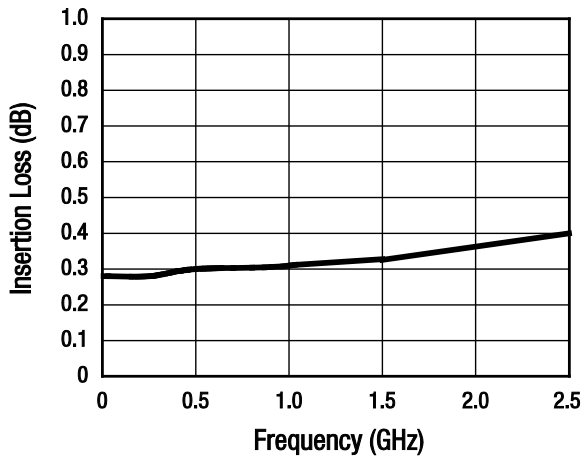


Figure 3. Insertion Loss vs Frequency

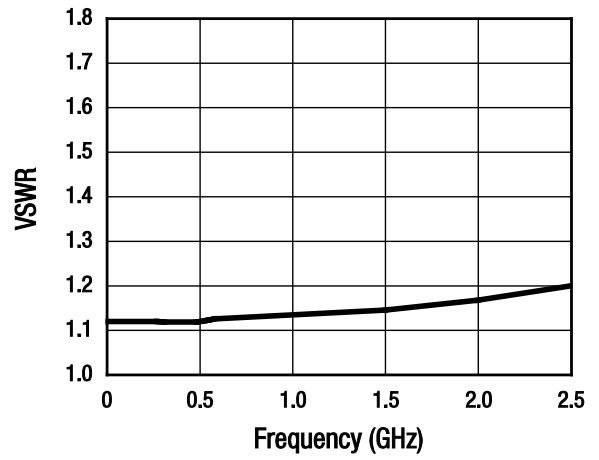


Figure 4. VSWR vs Frequency

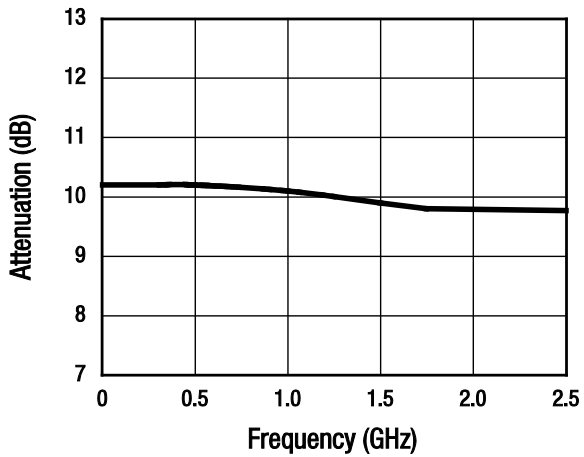


Figure 5. Attenuation vs Frequency

### Evaluation Board Description

The AA103-72/-72LF Evaluation Board is used to test the performance of the AA103-72/-72LF digital attenuator. An Evaluation Board schematic diagram is shown in Figure 6.

### Package Dimensions

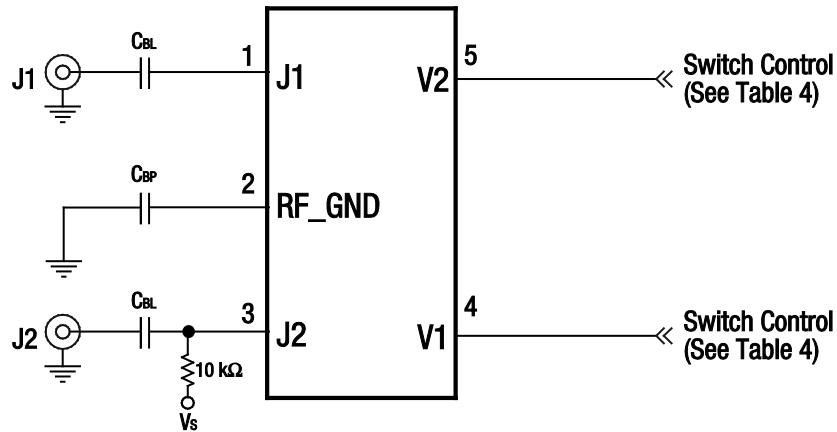
Package dimensions for the 5-pin SOT-5 are shown in Figure 7, and tape and reel dimensions are provided in Figure 8.

### Package and Handling Information

Instructions on the shipping container label regarding exposure to moisture after the container seal is broken must be followed. Otherwise, problems related to moisture absorption may occur when the part is subjected to high temperature during solder assembly.

THE AA103-72/-72LF is rated to Moisture Sensitivity Level 1 (MSL1) at 260 °C. It can be used for lead or lead-free soldering. For additional information, refer to the Skyworks Application Note, *Solder Reflow Information*, document number 200164.

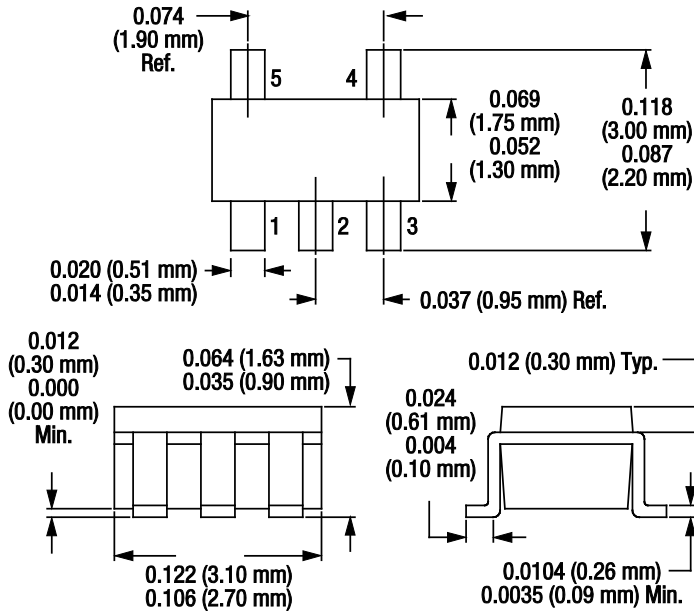
Care must be taken when attaching this product, whether it is done manually or in a production solder reflow environment. Production quantities of this product are shipped in a standard tape and reel format.



*Note: DC blocking capacitors (CBL), bypass capacitor (CBP), and biasing resistor must be supplied externally for positive voltage operation.  
CBL = 33 pF, CBP = 33 pF for 900 MHz operation.*

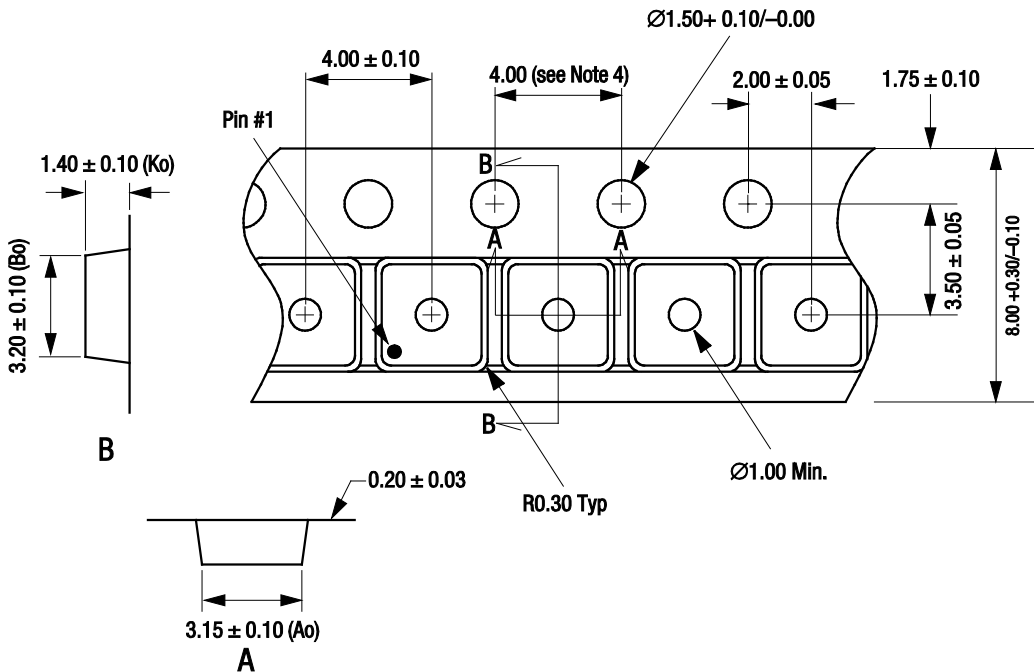
S2366

**Figure 6. AA103-72/-72LF Evaluation Board Schematic Diagram**



Dimensions are in inches (millimeters shown in parentheses) **S1657**

**Figure 7. AA103-72/-72LF 5-Pin SOT-5 Package Dimensions**



- Notes:
1. Carrier tape: black conductive polystyrene.
  2. Cover tape material: transparent conductive HSA.
  3. Cover tape size: 5.40 mm width.
  4. Ten sprocket hole pitch cumulative tolerance = ±0.20 mm.
  5. All measurements are in millimeters.
  6. Standard reel size is 7 inches. Standard reel quantity is 3000 pcs.

**S1681**

**Figure 8. AA103-72/-72LF Tape and Reel Dimensions**

**Ordering Information**

Model Name	Manufacturing Part Number	Evaluation Board Part Numbers
AA103-72/-72LF One-Bit Digital Attenuator	AA103-72/-72LF	AA103-72/-72LF-EVB

Copyright © 2002-2007, 2011 Skyworks Solutions, Inc. All Rights Reserved.

Information in this document is provided in connection with Skyworks Solutions, Inc. (“Skyworks”) products or services. These materials, including the information contained herein, are provided by Skyworks as a service to its customers and may be used for informational purposes only by the customer. Skyworks assumes no responsibility for errors or omissions in these materials or the information contained herein. Skyworks may change its documentation, products, services, specifications or product descriptions at any time, without notice. Skyworks makes no commitment to update the materials or information and shall have no responsibility whatsoever for conflicts, incompatibilities, or other difficulties arising from any future changes.

No license, whether express, implied, by estoppel or otherwise, is granted to any intellectual property rights by this document. Skyworks assumes no liability for any materials, products or information provided hereunder, including the sale, distribution, reproduction or use of Skyworks products, information or materials, except as may be provided in Skyworks Terms and Conditions of Sale.

THE MATERIALS, PRODUCTS AND INFORMATION ARE PROVIDED “AS IS” WITHOUT WARRANTY OF ANY KIND, WHETHER EXPRESS, IMPLIED, STATUTORY, OR OTHERWISE, INCLUDING FITNESS FOR A PARTICULAR PURPOSE OR USE, MERCHANTABILITY, PERFORMANCE, QUALITY OR NON-INFRINGEMENT OF ANY INTELLECTUAL PROPERTY RIGHT; ALL SUCH WARRANTIES ARE HEREBY EXPRESSLY DISCLAIMED. SKYWORKS DOES NOT WARRANT THE ACCURACY OR COMPLETENESS OF THE INFORMATION, TEXT, GRAPHICS OR OTHER ITEMS CONTAINED WITHIN THESE MATERIALS. SKYWORKS SHALL NOT BE LIABLE FOR ANY DAMAGES, INCLUDING BUT NOT LIMITED TO ANY SPECIAL, INDIRECT, INCIDENTAL, STATUTORY, OR CONSEQUENTIAL DAMAGES, INCLUDING WITHOUT LIMITATION, LOST REVENUES OR LOST PROFITS THAT MAY RESULT FROM THE USE OF THE MATERIALS OR INFORMATION, WHETHER OR NOT THE RECIPIENT OF MATERIALS HAS BEEN ADVISED OF THE POSSIBILITY OF SUCH DAMAGE.

Skyworks products are not intended for use in medical, lifesaving or life-sustaining applications, or other equipment in which the failure of the Skyworks products could lead to personal injury, death, physical or environmental damage. Skyworks customers using or selling Skyworks products for use in such applications do so at their own risk and agree to fully indemnify Skyworks for any damages resulting from such improper use or sale.

Customers are responsible for their products and applications using Skyworks products, which may deviate from published specifications as a result of design defects, errors, or operation of products outside of published parameters or design specifications. Customers should include design and operating safeguards to minimize these and other risks. Skyworks assumes no liability for applications assistance, customer product design, or damage to any equipment resulting from the use of Skyworks products outside of stated published specifications or parameters.

Skyworks, the Skyworks symbol, and “Breakthrough Simplicity” are trademarks or registered trademarks of Skyworks Solutions, Inc., in the United States and other countries. Third-party brands and names are for identification purposes only, and are the property of their respective owners. Additional information, including relevant terms and conditions, posted at [www.skyworksinc.com](http://www.skyworksinc.com), are incorporated by reference.

## Looking for pricing, stock, or lifecycle information?

Click below to explore more details on WIN SOURCE:

- ⊖ [View AA103-72 on WIN SOURCE](#)
- ⊖ [Skyworks Solutions Inc. Information](#)

## Optimize Your Supply Chain with WIN SOURCE Solutions

- ✓ Global Sourcing Solution
- ✓ Obsolete Management
- ✓ Cost Control Management
- ✓ Shortage Management
- ✓ Alternative Solution
- ✓ Excess Inventory Management