



Bidirectional Low Capacitance TVSarray

DESCRIPTION

This USB50803C(-A) – USB50824C(-A) family of Transient Voltage Suppressor (TVS) arrays comes in an SO-8 package and can provide protection to 2 bidirectional data or interface lines. It is designed for use in applications where very low capacitance protection is required at the board level from voltage transients caused by electrostatic discharge (ESD) as defined in IEC 61000-4-2, electrical fast transients (EFT) per IEC 61000-4-4 and secondary effects of lightning. Using the schematic on the last page, pins 1 & 2 are tied together for the first protected line, and pins 7 & 8 are tied together to ground. The same would occur for a second protected line where pins 3 & 4 tied together and pins 5 & 6 tied together to the ground. These connections may be switched in polarity since the electrical features are the same in each anti-parallel (opposite facing) leg when the pins are tied together in this manner for bidirectional protection. The device with an “-A” suffix is opposite in polarity for each pin-to-pin leg (see [schematics](#)). This provides no functional difference for bidirectional TVS protection with the noted pins tied together as described above. But the difference is significant if each leg is being used separately for unidirectional applications.

These TVS arrays have a peak power rating of 500 watts for an 8/20 μ sec pulse. This array is suitable for protection of sensitive circuitry such as TTL, CMOS DRAM's, SRAM's, HCMOS, HSIC microprocessors, Universal Serial Bus (USB) and I/O transceivers.

Important: For the latest information, visit our website <http://www.microsemi.com>.

FEATURES

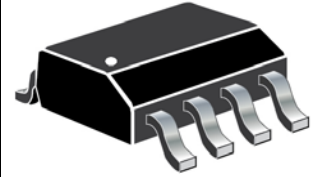
- Provides electrically isolated protection for up to 2 bidirectional lines.
- Surge protection per IEC 61000-4-2 and IEC 61000-4-4.
- UL 94V-0 flammability classification.
- Ultra low capacitance; 3 pF per line pair.
- Ultra low leakage current.
- RoHS compliant versions available.

APPLICATIONS / BENEFITS

- EIA-RS485 data rates: 5 Mbs
- 10 Base T Ethernet.
- USB data rate: 900 Mbs


MAXIMUM RATINGS

| Parameters/Test Conditions | Symbol | Value | Unit |
|---|---------------------|-------------|-------------|
| Junction and Storage Temperature | T_J and T_{STG} | -55 to +150 | $^{\circ}C$ |
| Peak Pulse Power @ 8/20 μ s (see figure 1) | P_{PP} | 500 | W |
| Impulse Repetition Rate | df | < .01 | % |
| Capacitance (f = 1 MHz) @ 0 V | C | 3 | pF |
| Solder Temperature @ 10 s | T_{SP} | 260 | $^{\circ}C$ |



SO-8 Package

Also available:

Unidirectional version
 [USB50803 – USB50824](#)

MSC – Lawrence

6 Lake Street,
Lawrence, MA 01841
Tel: 1-800-446-1158 or
(978) 620-2600
Fax: (978) 689-0803

MSC – Ireland

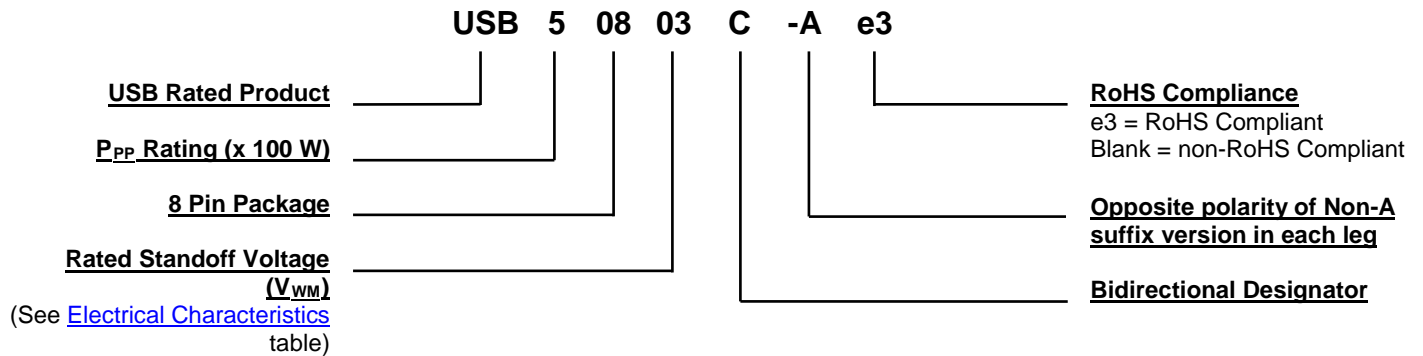
Gort Road Business Park,
Ennis, Co. Clare, Ireland
Tel: +353 (0) 65 6840044
Fax: +353 (0) 65 6822298

Website:

www.microsemi.com

MECHANICAL and PACKAGING

- CASE: Molded SO-8 surface mount.
- TERMINALS: Tin-lead or RoHS compliant annealed matte-tin plating.
- MARKING: Logo, device marking code (see electrical characteristics table), date code.
- POLARITY: Pin #1 marked by dot on top of package.
- TAPE & REEL option: Per EIA standard 481. Consult factory for quantities. Carrier tubes with a quantity of 95 pieces are standard.
- WEIGHT: Approximately 0.066 grams.
- See [Package Dimensions](#) on last page.

PART NOMENCLATURE

SYMBOLS & DEFINITIONS

| Symbol | Definition |
|-------------------|--|
| V _{WM} | Stand Off Voltage: Maximum dc voltage that can be applied over the operating temperature range. V _{wm} must be selected to be equal or be greater than the operating voltage of the line to be protected. |
| V _(BR) | Minimum Breakdown Voltage: The minimum voltage the device will exhibit at a specified current |
| V _C | Clamping Voltage: Maximum clamping voltage across the TVS device when subjected to a given current at a pulse time of 20 μs. |
| I _D | Standby Current: Leakage current at V _{WM} . |
| C | Capacitance: Capacitance of the TVS as defined @ 0 volts at a frequency of 1 MHz and stated in picofarads. |

ELECTRICAL CHARACTERISTICS

| PART NUMBER | DEVICE MARKING* | STAND-OFF VOLTAGE V_{WM} | BREAKDOWN VOLTAGE V_{BR} @1 mA | CLAMPING VOLTAGE V_c @ 1 Amp (Figure 2) | CLAMPING VOLTAGE V_c @ 5 Amp (Figure 2) | STANDBY CURRENT I_D @ V_{WM} | CAPACITANCE (f = 1 MHz) C @ 0 V | TEMPERATURE COEFFICIENT OF V_{BR} α_{VBR} |
|-------------|-----------------|-------------------------------|--|--|--|--|--|--|
| | | Volts | Volts | Volts | Volts | μA | pF | mV/°C |
| | | MAX | MIN | MAX | MAX | MAX | MAX | MAX |
| USB50803C | 3C | 3.3 | 4 | 8 | 11 | 200 | 3 | -5 |
| USB50803C-A | U3CA | | | | | | | |
| USB50805C | 5C | 5.0 | 6.0 | 10.8 | 13 | 40 | 3 | 1 |
| USB50805C-A | U5CA | | | | | | | |
| USB50812C | 12C | 12.0 | 13.3 | 19 | 26 | 1 | 3 | 8 |
| USB50812C-A | U12CA | | | | | | | |
| USB50815C | 15C | 15.0 | 16.7 | 24 | 32 | 1 | 3 | 11 |
| USB50815C-A | U15CA | | | | | | | |
| USB50824C | 24C | 24.0 | 26.7 | 43 | 57 | 1 | 3 | 28 |
| USB50824C-A | U24CA | | | | | | | |

* Device marking will have an "e3" suffix added for the RoHS compliant option, e.g. U3CAe3, 5Ce3, U12CAe3, 15Ce3, and U24CAe3.

NOTE: Transient Voltage Suppressor (TVS) products are normally selected based on their standoff voltage V_{wm} . The selected voltage should be equal to or greater than the peak operating voltage of the circuit to be protected.

GRAPHS

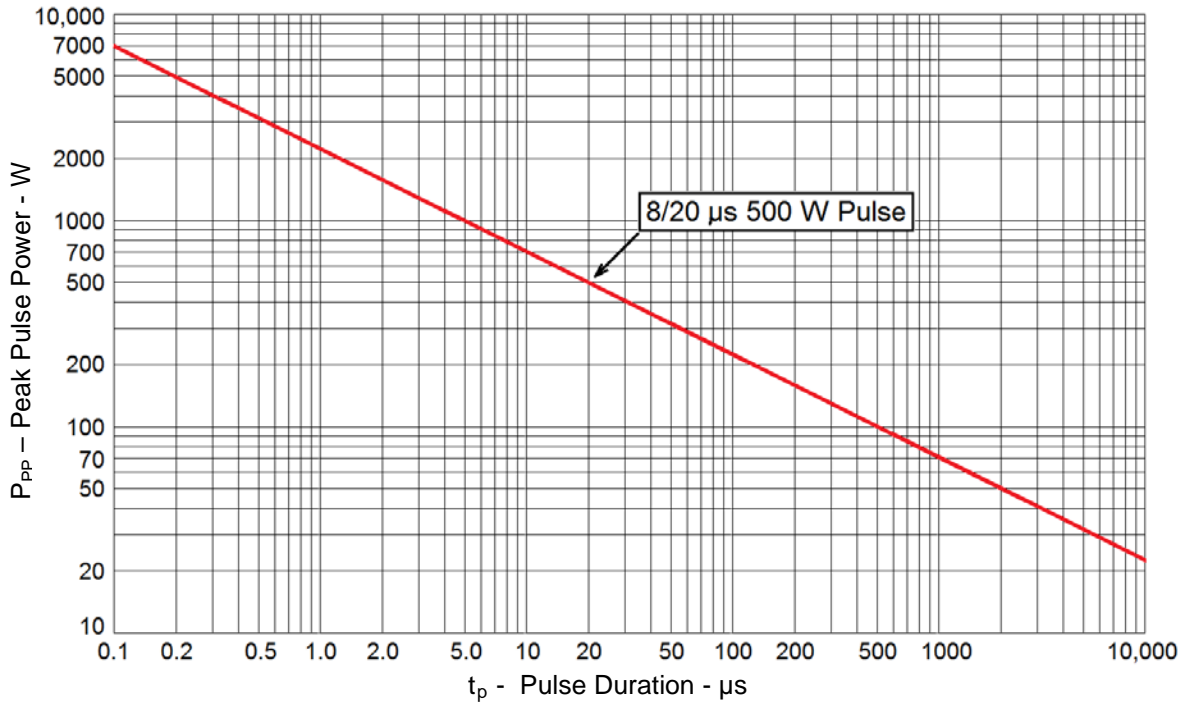


FIGURE 1
Peak Pulse Power vs Pulse Time

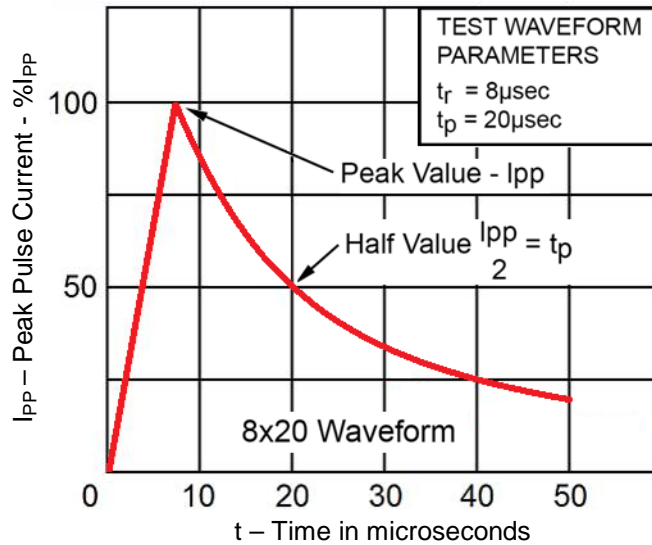
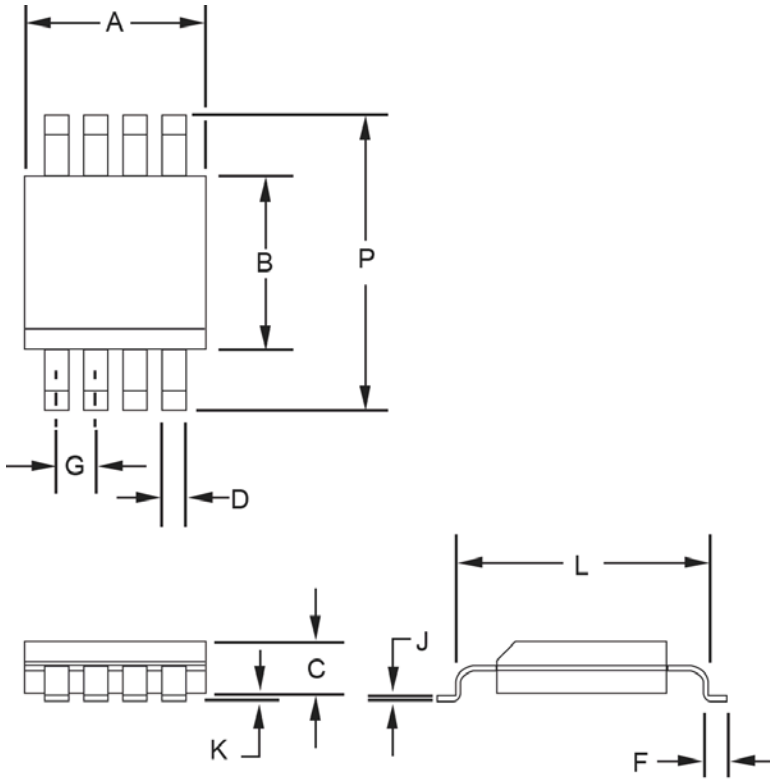
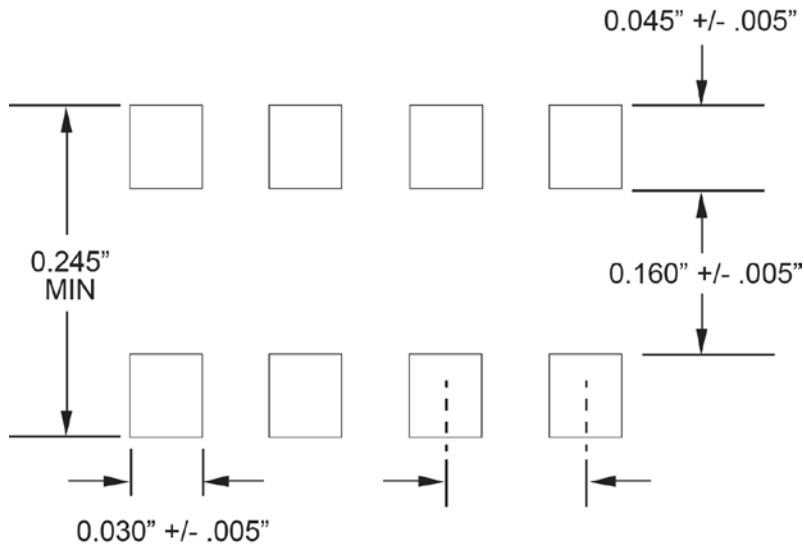


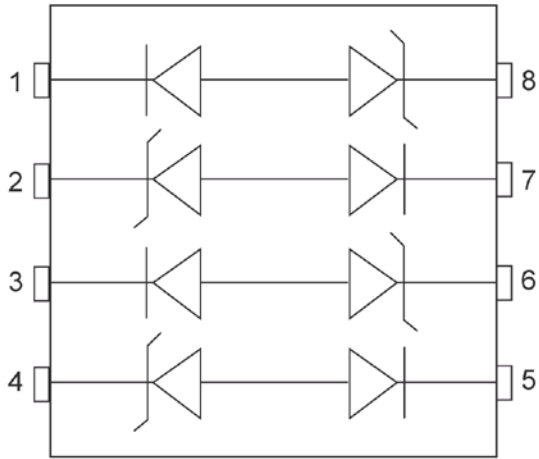
FIGURE 2
Pulse Waveform

PACKAGE DIMENSIONS


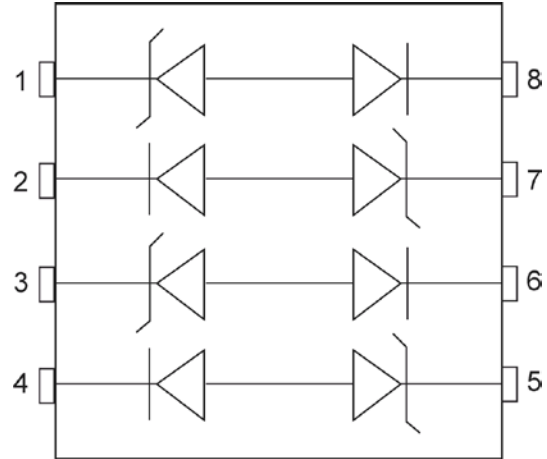
| Ltr | Dimensions | | | |
|----------|------------|-------|-------------|------|
| | Inch | | Millimeters | |
| | Min | Max | Min | Max |
| A | 0.188 | 0.197 | 4.77 | 5.00 |
| B | 0.150 | 0.158 | 3.81 | 4.01 |
| C | 0.053 | 0.069 | 1.35 | 1.75 |
| D | 0.011 | 0.021 | 0.28 | 0.53 |
| F | 0.0160 | 0.050 | .041 | 1.27 |
| G | 0.050 BSC | | 1.27 BSC | |
| J | 0.006 | 0.010 | 0.15 | 0.25 |
| K | 0.004 | 0.008 | 0.10 | 0.20 |
| L | 0.189 | 0.206 | 4.80 | 5.23 |
| P | 0.228 | 0.244 | 5.79 | 6.19 |

PAD LAYOUT


SCHEMATICS



USB50803C thru USB50824C



USB50803C-A thru USB50824C-A

Looking for pricing, stock, or lifecycle information?

Click below to explore more details on WIN SOURCE:

 [View USB50803CE3/TR7 on WIN SOURCE](#)

 [Microsemi Corporation](#) Information

Optimize Your Supply Chain with WIN SOURCE Solutions

-  Global Sourcing Solution
-  Obsolete Management
-  Cost Control Management
-  Shortage Management
-  Alternative Solution
-  Excess Inventory Management