



# THE DATASHEET OF UM4717



## 4.5Ω 300MHz Bandwidth Dual SPDT Analog Switch

**UM4717 CSP10 1.90×1.40**  
**UM4717Q QFN10 1.80×1.40**

### General Description

The UM4717/UM4717Q low-voltage, low on-resistance ( $R_{ON}$ ), dual single-pole/double-throw (SPDT) analog switch operates from a single +1.8V to +5.5V supply. The device is designed for USB 1.1/2.0 and audio switching applications.

The UM4717 features two 4.5Ω  $R_{ON(max)}$  SPDT switches with 1.2Ω flatness and 0.3Ω matching between channels, while the UM4717Q features two 6Ω  $R_{ON(max)}$  SPDT switches with 1.8Ω flatness and 0.6Ω matching between channels. The switch offers break-before-make switching (1ns) with  $t_{ON}<80ns$  and  $t_{OFF}<40ns$  at +2.7V. The digital logic inputs are +1.8V logic compatible with a +2.7V to +3.6V supply.

The UM4717 is packaged in a chip-scale package (CSP), occupies only a 1.90mm ×1.40mm area and has a 4×3 bump array with a bump pitch of 0.50mm. The UM4717Q is packaged in a 1.80mm ×1.40mm QFN10 package, both significantly reducing the required PC board area.

### Applications

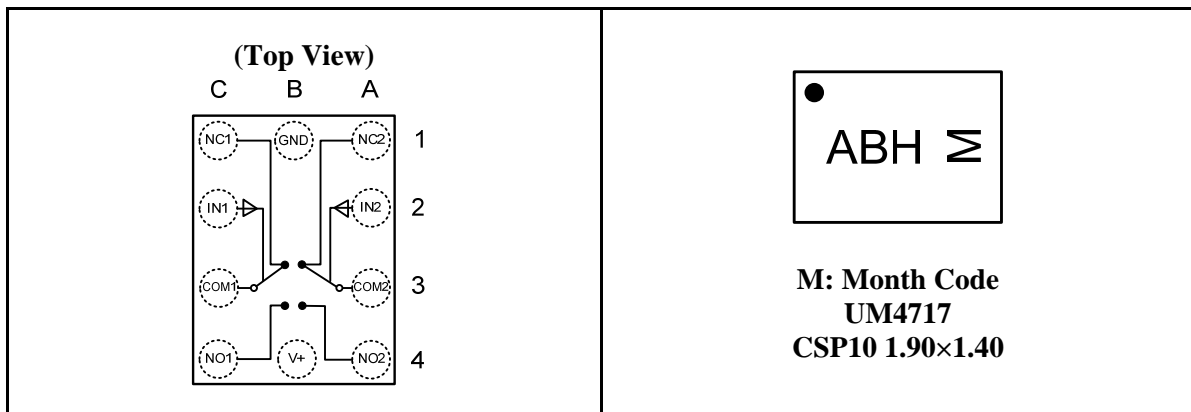
- USB 1.1/2.0 Signal Switching Circuits
- Battery-Operated Equipment
- Audio/Video-Signal Routing
- Headphone Switching
- Low-Voltage Data-Acquisition Systems
- Sample-and-Hold Circuits
- Cell Phones
- PDAs

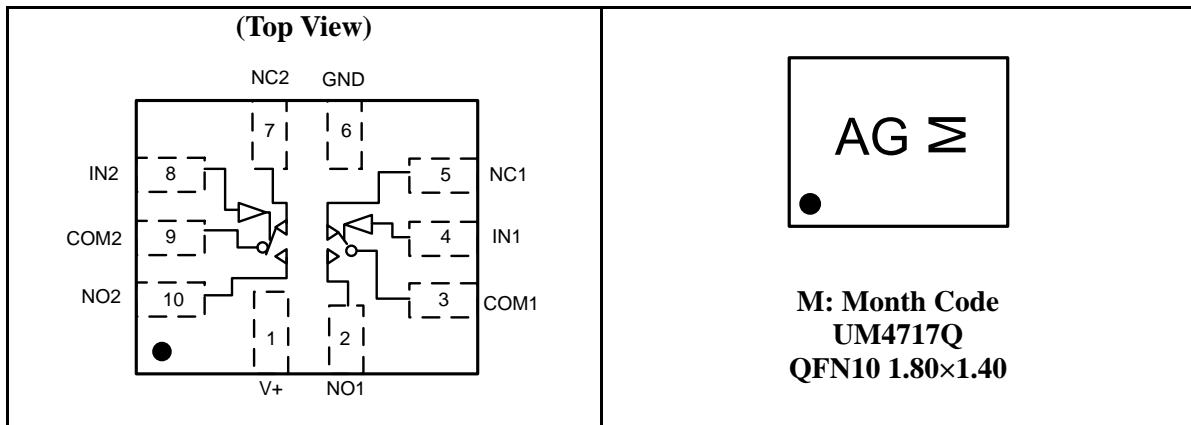
### Features

- 2ns (Max) Differential Skew
- -3dB Bandwidth: 300MHz
- Low 15pF On-Channel Capacitance
- Single-Supply Operation from +1.8V to +5.5V
- Typical  $R_{ON(max)}$  with +3V Supply: 4.5Ω (UM4717), 6Ω (UM4717Q)
- Rail-to-Rail Signal Handling
- High Off-Isolation: -50dB (10MHz)
- Low Crosstalk: -70dB (10MHz)
- Low Distortion: 0.03%
- +1.8V CMOS-Logic Compatible
- < 0.5nA Leakage Current at +25°C

### Pin Configurations

### Top View





### Ball Mapping for UM4717

	C	B	A	
	NC1	GND	NC2	1
	IN1		IN2	2
	COM1		COM2	3
	NO1	V+	NO2	4

Transparent Top View

### Pin Description

Pin		Name	Function
UM4717	UM4717Q		
A1	7	NC2	Analog Switch 2-Normally Closed Terminal
A2	8	IN2	Analog Switch 2-Digital Control Input
A3	9	COM2	Analog Switch 2-Common Terminal
A4	10	NO2	Analog Switch 2-Normally Open Terminal
B1	6	GND	Ground Connection
B4	1	V+	Positive Supply Voltage
C1	5	NC1	Analog Switch 1-Normally Closed Terminal
C2	4	IN1	Analog Switch 1-Digital Control Input
C3	3	COM1	Analog Switch 1-Common Terminal
C4	2	NO1	Analog Switch 1-Normally Open Terminal

## Ordering Information

Part Number	Packaging Type	Marking Code	Shipping Qty
UM4717	CSP10 1.90×1.40	ABH	3000pcs/7 Inch Tape & Reel
UM4717Q	QFN10 1.80×1.40	AG	3000pcs/7 Inch Tape & Reel

## Function Table

IN_	NO_	NC_
0	OFF	ON
1	ON	OFF

## Absolute Maximum Ratings

Symbol	Parameter	Limit	Unit
V <sub>+</sub>	Supply Voltage	-0.3 to +6.0	V
V <sub>S</sub>	DC Switch Voltage (Note 1)	-0.3 to (V <sub>+</sub> +0.3)	
IN_	DC IN Voltage	-0.3 to +6.0	
I <sub>O</sub>	Continuous Current (COM_, NO_, NC_)	±100	mA
I <sub>P</sub>	Peak Current (Pulsed at 1ms, 10% Duty Cycle)	±200	
T <sub>O</sub>	Operating Temperature Range	-40 to +85	°C
T <sub>J</sub>	Junction Temperature	+150	
T <sub>STG</sub>	Storage Temperature Range	-65 to +150	
T <sub>L</sub>	Junction Lead Temperature (Soldering, 10 Seconds)	+300	
T <sub>Bump</sub>	Bump Temperature (Soldering)	Infrared (15s)	
		Vapor Phase (60s)	+215
P <sub>D</sub>	Continuous Power Dissipation @ +70°C	909	mW
ESD	ESD Method 3015.7	>2000	V

Note 1: Signals on COM\_, NO\_, or NC\_ exceeding V<sub>+</sub> or GND are clamped by internal diodes. Limit forward-diode current to maximum current rating.

## Electrical Characteristics (Single +3V Supply)

( $V_+ = +2.7V$  to  $+3.6V$ ,  $T_A = T_{MIN}$  to  $T_{MAX}$ , unless otherwise noted. Typical values are at  $V_+ = +3.0V$ ,  $T_A = +25^\circ C$ ) (Notes 2, 3)

Symbol	Parameter	Test Conditions	Temp	Limits ( $-40^\circ C$ to $85^\circ C$ )			Unit	
				Min	Typ	Max		
<b>DC Electrical Characteristics</b>								
$V_{COM\_}$ $V_{NO\_}$ $V_{NC\_}$	Analog Signal Range		Full	0		$V_+$	V	
$V_+$	Power Supply Range		Full	1.8		5.5	V	
$I_+$	Supply Current	$V_+ = +5.5V$ , $V_{IN} = 0V$ or $V_+$	Full			1	$\mu A$	
$I_{COM\_ (ON)}$	COM_On Leakage Current (Note 4)	$V_+ = +3.6V$ , $V_{COM\_} = 0.3V, 3.3V$ ; $V_{NO\_}$ or $V_{NC\_} = 0.3V, 3.3V$ , or Floating	Room Full	-1 -2	+0.01	+1 +2	nA	
$I_{OFF}$	OFF State Leakage Current (Note 4)	$V_+ = +3.6V$ , $V_{COM\_} = 0.3V, 3.3V$ ; $V_{NO\_}$ or $V_{NC\_} = 3.3V, 0.3V$	Room Full	-0.5 -1	+0.01	+0.5 +1	nA	
$V_{IH}$	Input High Voltage		Full	1.6			V	
$V_{IL}$	Input Low Voltage		Full			0.5	V	
$I_{IN}$	Input Leakage Current	$V_+ = +3.6V$ , $V_{IN\_} = 0$ or $5.5V$	Full	-100		+100	nA	
$R_{ON}$	On-Resistance (Note 4)	$V_+ = +2.7V$ , $I_{COM\_} = 10mA$ ; $V_{NO\_}$ or $V_{NC\_} = 1.5V$	UM4717	Room		3.0	4.5	$\Omega$
				Full			5	
			UM4717Q	Room		4.5	6	
				Full			7	
$\Delta R_{ON}$	On Resistance Match Between Channels (Notes 4, 5)	$V_+ = +2.7V$ , $I_{COM\_} = 10mA$ ; $V_{NO\_}$ or $V_{NC\_} = 1.5V$	UM4717	Room		0.1	0.3	$\Omega$
				Full			0.4	
			UM4717Q	Room		0.5	0.6	
				Full			0.9	
$R_{FLAT}$	On Resistance Flatness (Note 6)	$V_+ = +2.7V$ , $I_{COM\_} = 10mA$ ; $V_{NO\_}$ or $V_{NC\_} = 1.0V, 1.5V, 2.0V$	UM4717	Room		0.6	1.2	$\Omega$
				Full			1.5	
			UM4717Q	Room		1.5	1.8	
				Full			2.0	

Note 2: The parts are 100% tested at  $+25^\circ C$  only, and guaranteed by design over the specified temperature range.

Note 3: The algebraic convention used in this data sheet is where the most negative value is a minimum and the most positive value is a maximum.

Note 4: Guaranteed by design.

Note 5:  $\Delta R_{ON} = R_{ON(MAX)} - R_{ON(MIN)}$ .

Note 6: Flatness is defined as the difference between the maximum and minimum value of on-resistance as measured over the specified analog signal ranges.

Note 7: Between any two switches.

## Electrical Characteristics (Single +3V Supply) (Continued)

( $V_+ = +2.7V$  to  $+3.6V$ ,  $T_A = T_{MIN}$  to  $T_{MAX}$ , unless otherwise noted. Typical values are at  $V_+ = +3.0V$ ,  $T_A = +25^\circ C$ ) (Notes 2, 3)

Symbol	Parameter	Test Conditions	Temp	Limits ( $-40^\circ C$ to $85^\circ C$ )			Unit
				Min	Typ	Max	
<b>AC Electrical Characteristics</b>							
$t_{ON}$	Turn-On Time	$V_{NO}, V_{NC} = 1.5V$ ; $R_L = 300\Omega$ , $C_L = 35pF$ , Figure 1; $V_{IH} = 1.5V$ , $V_{IL} = 0V$	Room Full		40	80 100	ns
$t_{OFF}$	Turn-Off Time	$V_{NO}, V_{NC} = 1.5V$ ; $R_L = 300\Omega$ , $C_L = 35pF$ , Figure 1; $V_{IH} = 1.5V$ , $V_{IL} = 0V$	Room Full		20	40 50	ns
$t_{BBM}$	Break Before Make Time (Note 4)	$V_{NO}, V_{NC} = 1.5V$ ; $R_L = 300\Omega$ , $C_L = 35pF$ , Figure 2	Room Full	1	8		ns
$t_{SKEW}$	Skew (Note 4)	$R_S = 39\Omega$ , $C_L = 50pF$ , Figure 3	Full		0.15	2	ns
$Q_{INJ}$	Charge Injection	$C_L = 1.0nF$ , Figure 4 $V_{GEN} = 1.5V$ , $R_{GEN} = 0\Omega$	Room		5		pC
$V_{ISO}$	Off Isolation	$f = 10MHz$ ; $V_{NO}, V_{NC} = 1V_{P-P}$ ; $R_L = 50\Omega$ , $C_L = 5pF$ , Figure 5	Room		-50		dB
		$f = 1MHz$ ; $V_{NO}, V_{NC} = 1V_{P-P}$ ; $R_L = 50\Omega$ , $C_L = 5pF$ , Figure 5			-70		
$V_{CT}$	Crosstalk (Note 7)	$f = 10MHz$ ; $V_{NO}, V_{NC} = 1V_{P-P}$ ; $R_L = 50\Omega$ , $C_L = 5pF$ , Figure 5	Room		-70		dB
		$f = 1MHz$ ; $V_{NO}, V_{NC} = 1V_{P-P}$ ; $R_L = 50\Omega$ , $C_L = 5pF$ , Figure 5			-90		
BW	-3dB Bandwidth	Signal=0dBm, $R_L = 50\Omega$ , $C_L = 5pF$ , Figure 5	Room		300		MHz
THD	Total Harmonic Distortion	$R_L = 600\Omega$ , $V_{COM} = 2V_{P-P}$	Room		0.03		%
<b>Capacitance</b>							
$C_{NO\_OFF}$ $C_{NC\_OFF}$	NO_, NC_ Off Capacitance	$f = 1MHz$ , Figure 6	Room		9		pF
$C_{(ON)}$	Switch On Capacitance	$f = 1MHz$ , Figure 6	Room		15		pF

Note 2: The parts are 100% tested at  $+25^\circ C$  only, and guaranteed by design over the specified temperature range.

Note 3: The algebraic convention used in this data sheet is where the most negative value is a minimum and the most positive value is a maximum.

Note 4: Guaranteed by design.

Note 5:  $\Delta R_{ON} = R_{ON(MAX)} - R_{ON(MIN)}$ .

Note 6: Flatness is defined as the difference between the maximum and minimum value of on-resistance as measured over the specified analog signal ranges.

Note 7: Between any two switches.

## Electrical Characteristics (Single +5V Supply)

( $V_+ = +4.2V$  to  $+5.5V$ ,  $T_A = T_{MIN}$  to  $T_{MAX}$ , unless otherwise noted. Typical values are at  $V_+ = +5.0V$ ,  $T_A = +25^\circ C$ ) (Notes 2, 3)

Symbol	Parameter	Test Conditions	Temp	Limits ( $-40^\circ C$ to $85^\circ C$ )			Unit	
				Min	Typ	Max		
<b>DC Electrical Characteristics</b>								
$V_{COM\_}$ $V_{NO\_}$ $V_{NC\_}$	Analog Signal Range		Full	0		$V_+$	V	
$V_+$	Power Supply Range		Full	1.8		5.5	V	
$I_+$	Supply Current	$V_+ = +5.5V$ , $V_{IN\_} = 0V$ or $V_+$	Full			1	$\mu A$	
$I_{COM\_ON}$	COM_On Leakage Current (Note 4)	$V_+ = +5.5V$ , $V_{COM\_} = 1.0V, 4.5V$ ; $V_{NO\_}$ or $V_{NC\_} = 1.0V, 4.5V$ , or Floating	Room Full	-1 -2	+0.01	+1 +2	nA	
$I_{OFF}$	OFF State Leakage Current (Note 4)	$V_+ = +5.5V$ , $V_{COM\_} = 1.0V, 4.5V$ ; $V_{NO\_}$ or $V_{NC\_} = 1.0V, 4.5V$	Room Full	-0.5 -1	+0.01	+0.5 +1	nA	
$V_{IH}$	Input High Voltage		Full	2.3			V	
$V_{IL}$	Input Low Voltage		Full			0.8	V	
$I_{IN}$	Input Leakage Current	$V_+ = +5.5V$ , $V_{IN\_} = 0$ or $V_+$	Full	-100		+100	nA	
$R_{ON}$	On-Resistance (Note 4)	$V_+ = +4.2V$ , $I_{COM\_} = 10mA$ ; $V_{NO\_}$ or $V_{NC\_} = 3.5V$	UM4717	Room		1.7	3	$\Omega$
				Full			3.5	
			UM4717Q	Room		2.5	3.5	
				Full			4	
$\Delta R_{ON}$	On Resistance Match Between Channels (Notes 4, 5)	$V_+ = +4.2V$ , $I_{COM\_} = 10mA$ ; $V_{NO\_}$ or $V_{NC\_} = 3.5V$	UM4717	Room		0.1	0.3	$\Omega$
				Full			0.4	
			UM4717Q	Room		0.5	0.6	
				Full			0.9	
$R_{FLAT}$	On Resistance Flatness (Note 6)	$V_+ = +4.2V$ , $I_{COM\_} = 10mA$ ; $V_{NO\_}$ or $V_{NC\_} = 1.0V$ , 2.0V, 3.5V	UM4717	Room		0.4	1.2	$\Omega$
				Full			1.5	
			UM4717Q	Room		0.9	1.2	
				Full			1.5	

Note 2: The parts are 100% tested at  $+25^\circ C$  only, and guaranteed by design over the specified temperature range.

Note 3: The algebraic convention used in this data sheet is where the most negative value is a minimum and the most positive value is a maximum.

Note 4: Guaranteed by design.

Note 5:  $\Delta R_{ON} = R_{ON(MAX)} - R_{ON(MIN)}$ .

Note 6: Flatness is defined as the difference between the maximum and minimum value of on-resistance as measured over the specified analog signal ranges.

Note 7: Between any two switches.

## Electrical Characteristics (Single +5V Supply) (Continued)

( $V_+ = +4.2V$  to  $+5.5V$ ,  $T_A = T_{MIN}$  to  $T_{MAX}$ , unless otherwise noted. Typical values are at  $V_+ = +5.0V$ ,  $T_A = +25^\circ C$ ) (Notes 2, 3)

Symbol	Parameter	Test Conditions	Temp	Limits (-40°C to 85 °C)			Unit
				Min	Typ	Max	
<b>AC Electrical Characteristics</b>							
$t_{ON}$	Turn-On Time	$V_{NO}, V_{NC} = 3.0V$ ; $R_L = 300\Omega, C_L = 35pF$ , Figure 1;	Room Full		30 80	100	ns
$t_{OFF}$	Turn-Off Time	$V_{NO}, V_{NC} = 3.0V$ ; $R_L = 300\Omega, C_L = 35pF$ , Figure 1;	Room Full		20 40	50	ns
$t_{BBM}$	Break Before Make Time (Note 4)	$V_{NO}, V_{NC} = 3.0V$ ; $R_L = 300\Omega, C_L = 35pF$ , Figure 2	Room Full	1	8		ns
$t_{SKEW}$	Skew (Note 4)	$R_S = 39\Omega, C_L = 50pF$ , Figure 3	Full		0.15	2	ns
$Q_{INJ}$	Charge Injection	$C_L = 1.0nF$ , Figure 4 $V_{GEN} = 1.5V, R_{GEN} = 0\Omega$	Room		9		pC
$V_{ISO}$	Off Isolation	$f = 10MHz, V_{NO}, V_{NC} = 1V_{P-P}$ ; $R_L = 50\Omega, C_L = 5pF$ , Figure 5	Room		-50		dB
		$f = 1MHz, V_{NO}, V_{NC} = 1V_{P-P}$ ; $R_L = 50\Omega, C_L = 5pF$ , Figure 5			-70		
$V_{CT}$	Crosstalk (Note 7)	$f = 10MHz, V_{NO}, V_{NC} = 1V_{P-P}$ ; $R_L = 50\Omega, C_L = 5pF$ , Figure 5	Room		-70		dB
		$f = 1MHz, V_{NO}, V_{NC} = 1V_{P-P}$ ; $R_L = 50\Omega, C_L = 5pF$ , Figure 5			-90		
BW	-3dB Bandwidth	Signal=0dBm, $R_L = 50\Omega$ , $C_L = 5pF$ , Figure 5	Room		300		MHz
THD	Total Harmonic Distortion	$R_L = 600\Omega$ , $V_{COM} = 2V_{P-P}$	Room		0.03		%
<b>Capacitance</b>							
$C_{NO(OFF)}$ $C_{NC(OFF)}$	NO, NC Off Capacitance	$f = 1MHz$ , Figure 6	Room		9		pF
$C_{(ON)}$	Switch On Capacitance	$f = 1MHz$ , Figure 6	Room		15		pF

Note 2: The parts are 100% tested at  $+25^\circ C$  only, and guaranteed by design over the specified temperature range.

Note 3: The algebraic convention used in this data sheet is where the most negative value is a minimum and the most positive value is a maximum.

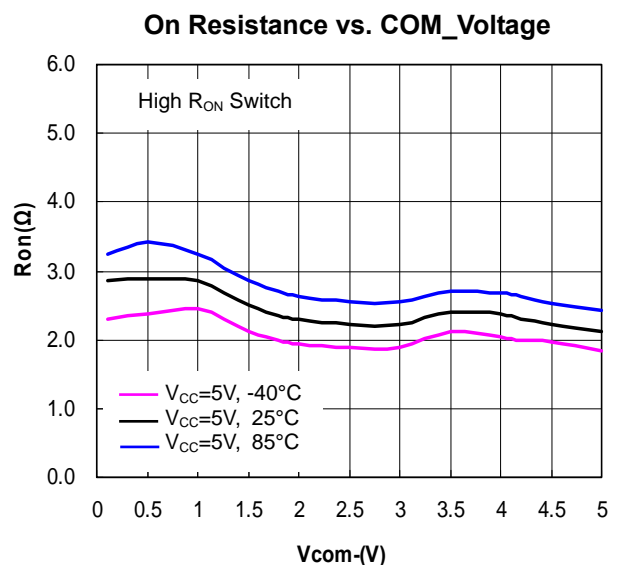
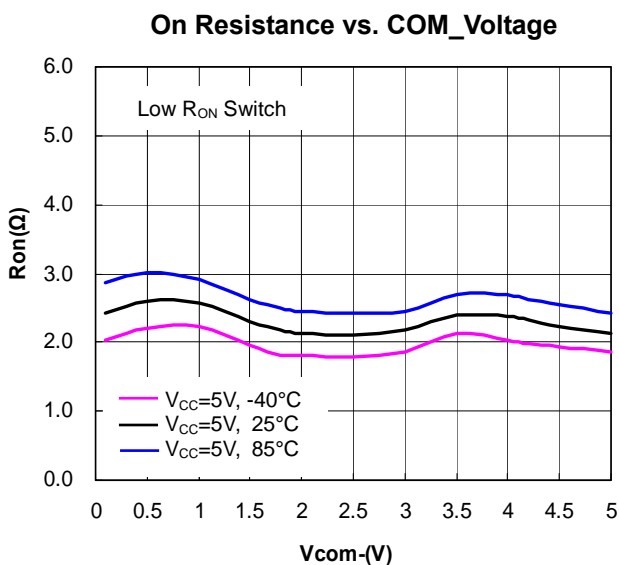
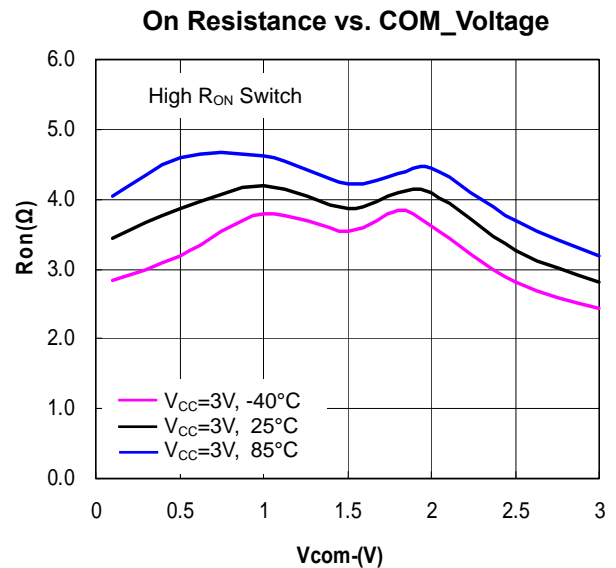
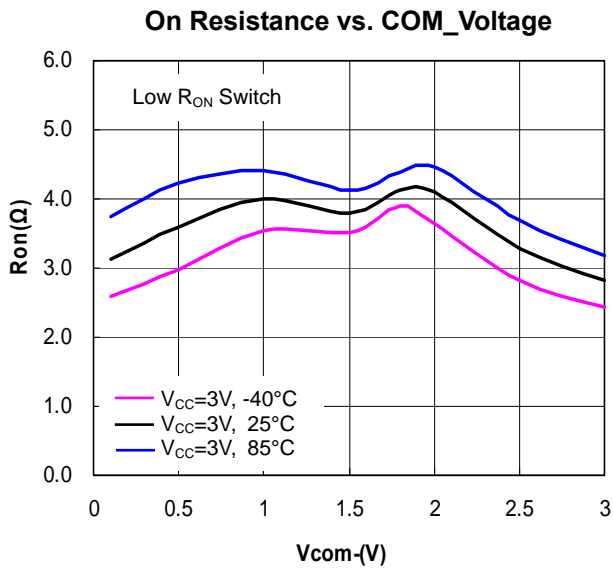
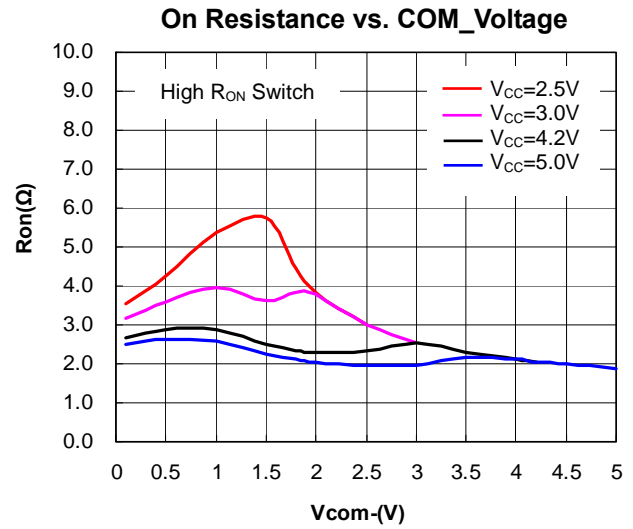
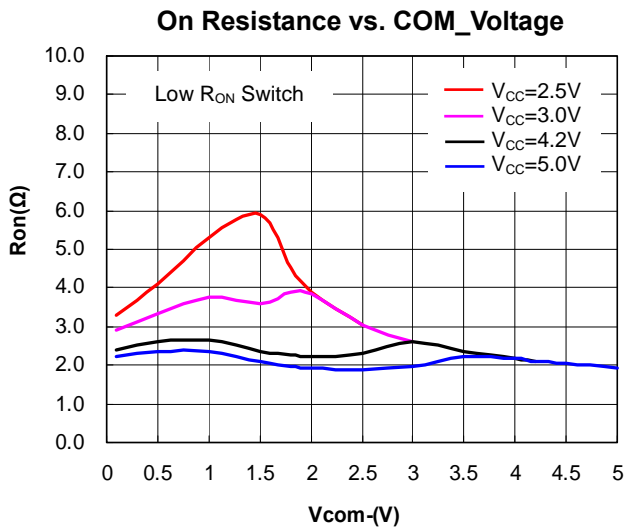
Note 4: Guaranteed by design.

Note 5:  $\Delta R_{ON} = R_{ON(MAX)} - R_{ON(MIN)}$ .

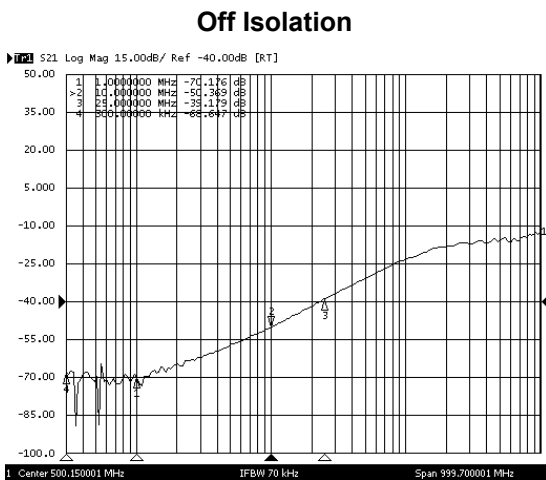
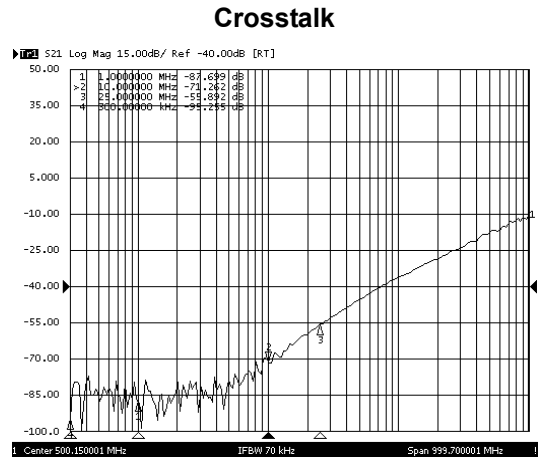
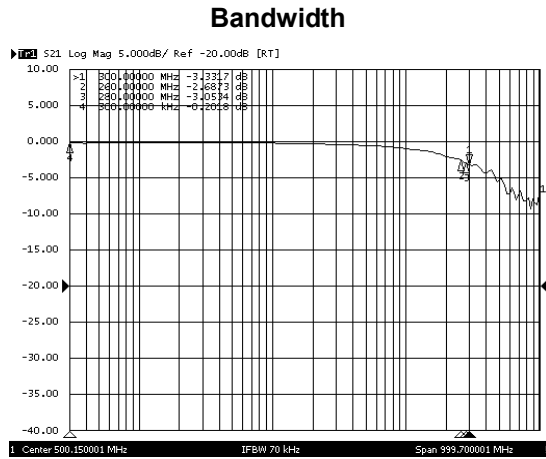
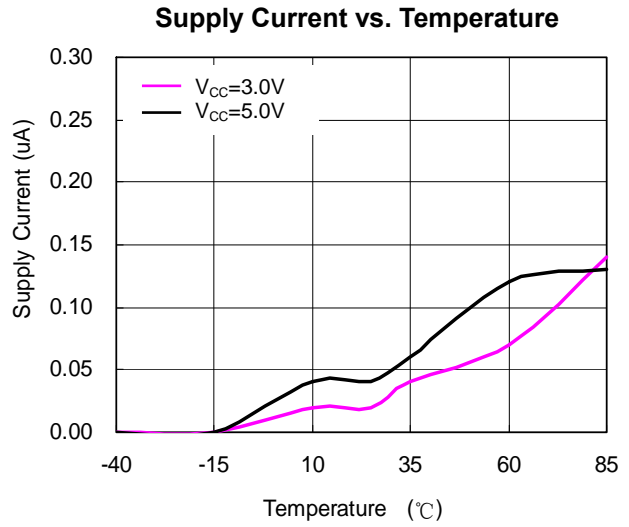
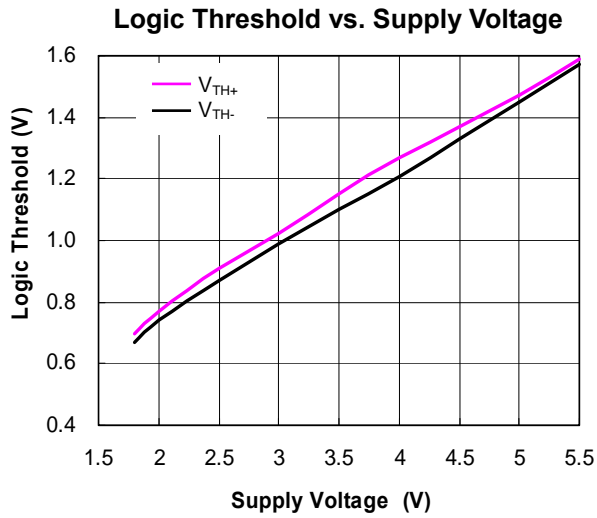
Note 6: Flatness is defined as the difference between the maximum and minimum value of on-resistance as measured over the specified analog signal ranges.

Note 7: Between any two switches.

## Typical Operating Characteristics



## Typical Operating Characteristics (Continued)



## Detailed Description

The UM4717/UM4717Q high-speed, low-voltage, low on-resistance ( $R_{ON}$ ), dual SPDT analog switch operates from a single +1.8V to +5.5V supply. The switch features break-before-make switching operation and fast switching speeds ( $t_{ON}=80\text{ns}$  (max),  $t_{OFF}=40\text{ns}$  (max)).

The switch has low 15pF on-channel capacitance, which allows for 12Mbps switching of the data signals for USB 1.0/1.1 applications. The UM4717/UM4717Q is designed to switch D<sub>+</sub> and D<sub>-</sub> USB signals with a guaranteed skew of less than 2ns (see Figure 4) as measured from 50% of the input signal to 50% of the output signal.

## Applications Information

### Digital Control Inputs

The UM4717/UM4717Q logic inputs accept up to +5.5V regardless of supply voltage. For example, with a +3.3V supply, IN<sub>-</sub> can be driven low to GND and high to +5.5V allowing for mixing of logic levels in a system. Driving the control logic inputs rail-to-rail minimizes power consumption. For a +3V supply voltage, the logic thresholds are 0.5V (low) and 1.4V (high); for a +5V supply voltage, the logic thresholds are 0.8V (low) and 2.0V (high).

### Analog Signal Levels

The on-resistance of the UM4717/UM4717Q changes very little for analog input signals across the entire supply voltage range (see the Typical Operating Characteristics). The switches are bidirectional, so the NO<sub>-</sub>, NC<sub>-</sub>, and COM<sub>-</sub> pins can be either inputs or outputs.

### Power-Supply Sequencing and Over-Voltage Protection

Proper power-supply sequencing is recommended for all CMOS devices. Always apply V<sub>+</sub> before applying analog signals, especially if the analog signal is not current-limited.

**Test Circuits**

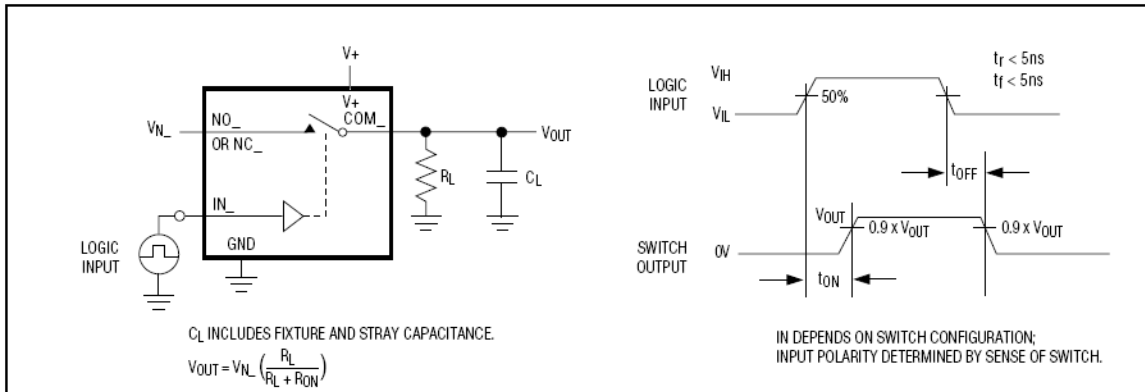


Figure 1. Switching Time

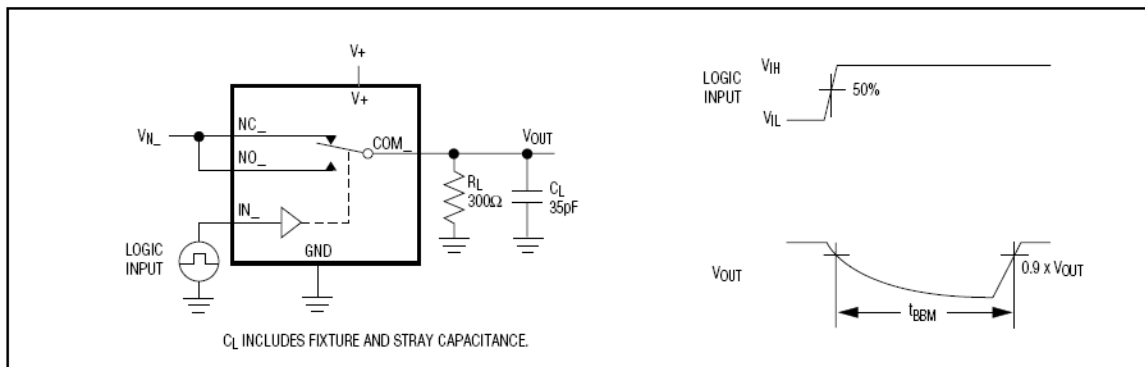


Figure 2. Break-Before-Make Interval

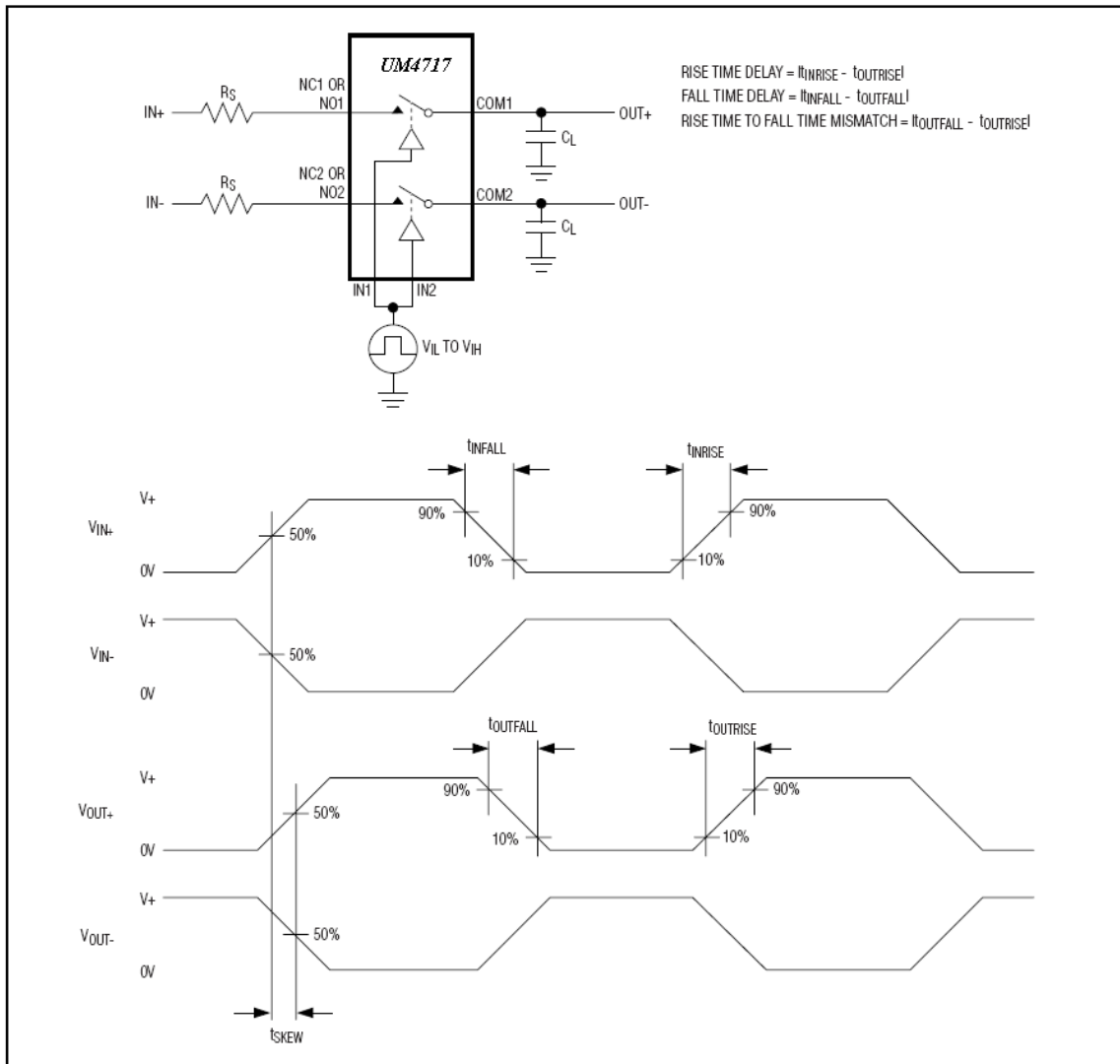


Figure 3. Output Signal Skew

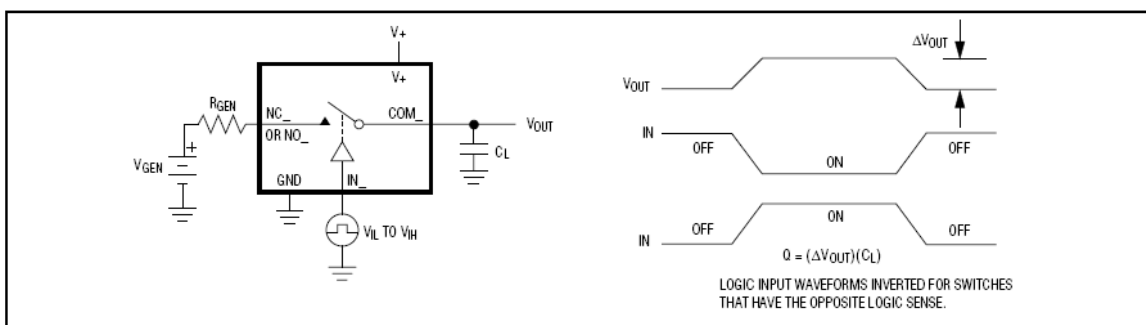


Figure 4. Charge Injection

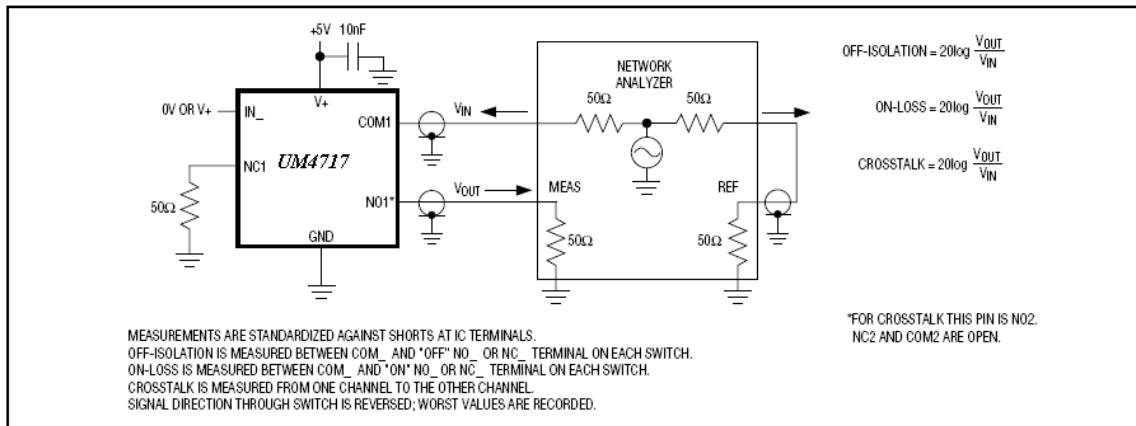


Figure 5. On-Loss, Off-Isolation, and Crosstalk

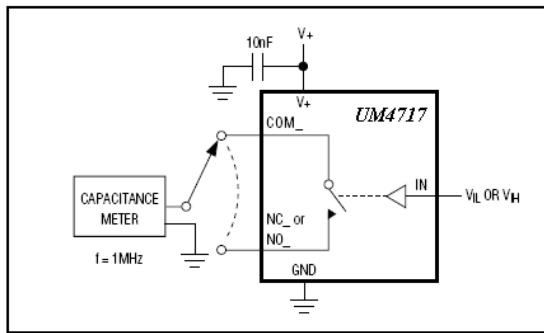
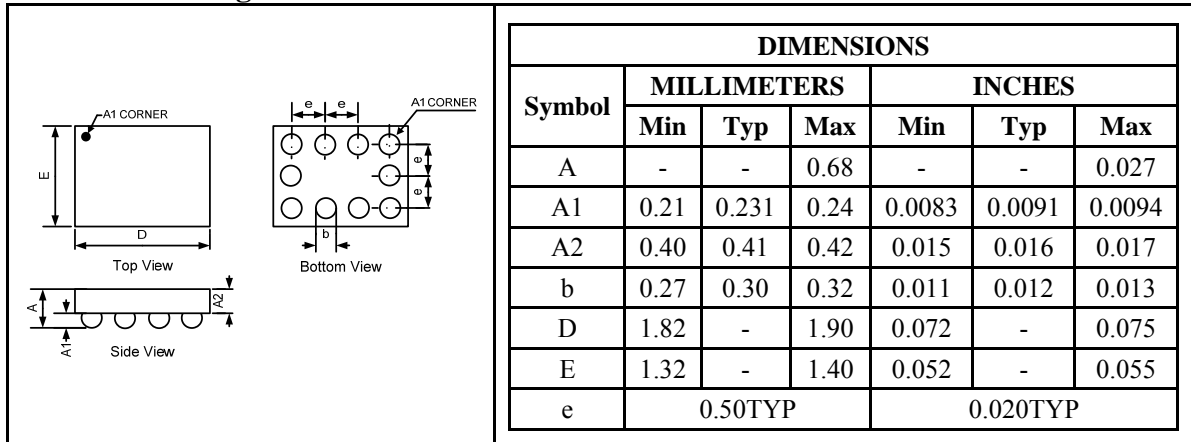


Figure 6. Channel Off/On-Capacitance

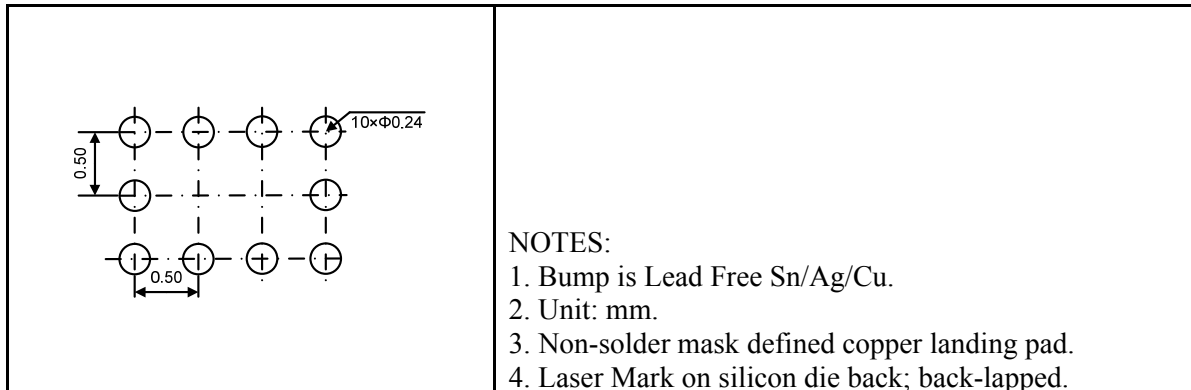
## Package Information

### UM4717: CSP10 1.90×1.40

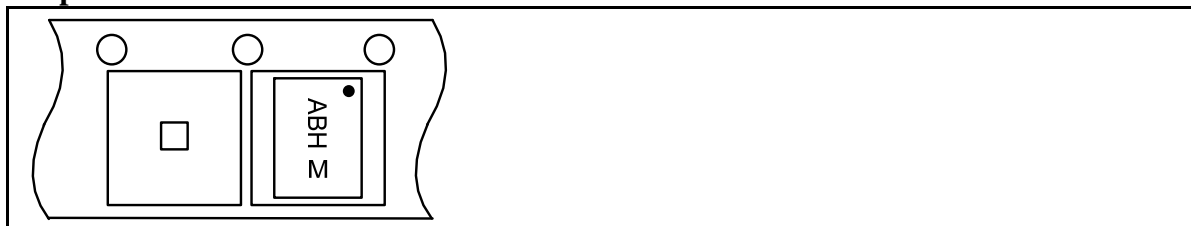
#### Outline Drawing



#### Land Pattern

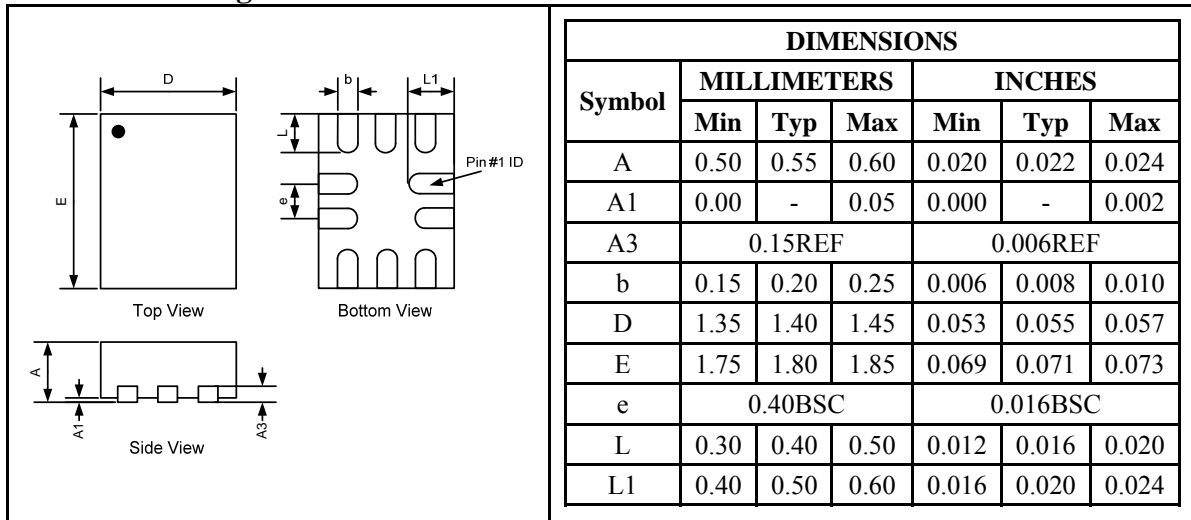


#### Tape and Reel Orientation

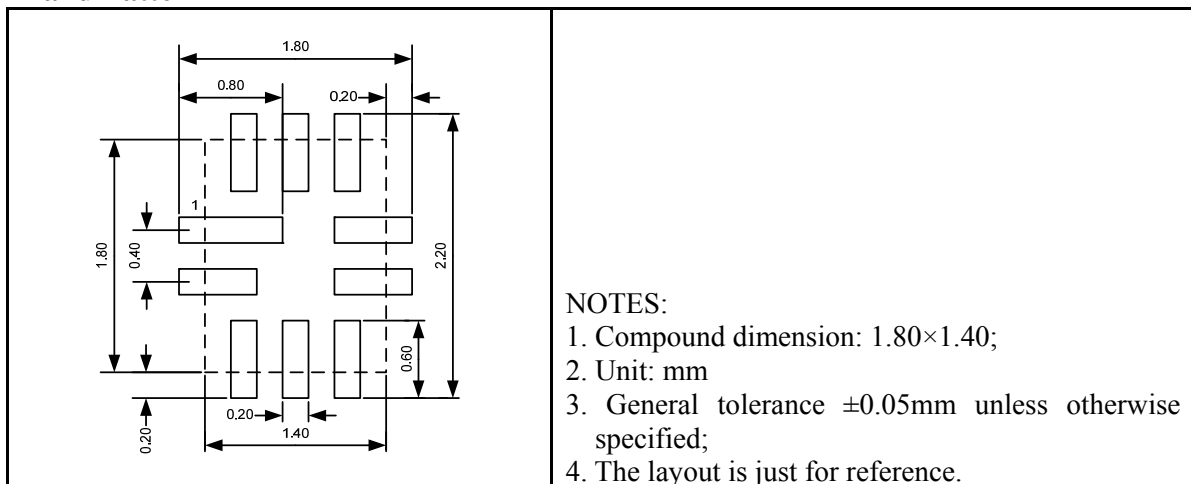


## UM4717Q: QFN10 1.80×1.40

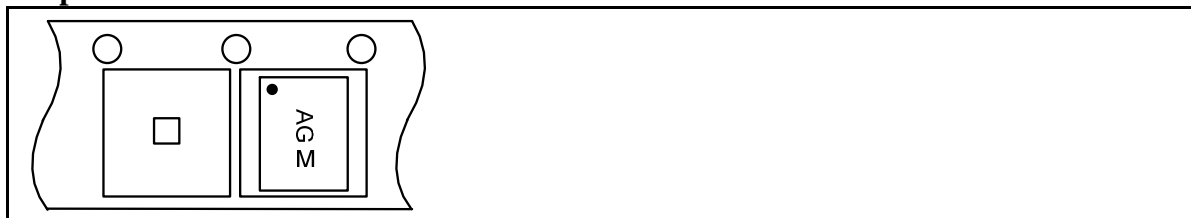
### Outline Drawing



### Land Pattern



### Tape and Reel Orientation



---

## GREEN COMPLIANCE

Union Semiconductor is committed to environmental excellence in all aspects of its operations including meeting or exceeding regulatory requirements with respect to the use of hazardous substances. Numerous successful programs have been implemented to reduce the use of hazardous substances and/or emissions.

All Union components are compliant with the RoHS directive, which helps to support customers in their compliance with environmental directives. For more green compliance information, please visit:

[http://www.union-ic.com/index.aspx?cat\\_code=RoHSDeclaration](http://www.union-ic.com/index.aspx?cat_code=RoHSDeclaration)

## IMPORTANT NOTICE

The information in this document has been carefully reviewed and is believed to be accurate. Nonetheless, this document is subject to change without notice. Union assumes no responsibility for any inaccuracies that may be contained in this document, and makes no commitment to update or to keep current the contained information, or to notify a person or organization of any update. Union reserves the right to make changes, at any time, in order to improve reliability, function or design and to attempt to supply the best product possible.

## Looking for pricing, stock, or lifecycle information?

Click below to explore more details on WIN SOURCE:

- ⊖ [View UM4717](#) on WIN SOURCE
- ⊖ [Union Semiconductor](#) Information

## Optimize Your Supply Chain with WIN SOURCE Solutions

- ✓ Global Sourcing Solution
- ✓ Obsolete Management
- ✓ Cost Control Management
- ✓ Shortage Management
- ✓ Alternative Solution
- ✓ Excess Inventory Management