



**THE DATASHEET OF  
UCC37324DGN**



## UCCx732x Dual 4-A Peak High-Speed Low-Side Power-MOSFET Drivers

### 1 Features

- Bi-CMOS Output Architecture
- $\pm 4$  A Drive Current at the Miller Plateau Region
- Constant-Current Even at Low Supply Voltages
- Outputs Paralleled for Higher Drive Current
- Available in MSOP-PowerPAD™ Package
- TTL/CMOS Inputs Independent of Supply Voltage
- Industry-Standard Pin-Out

### 2 Applications

- Switch-Mode Power Supplies
- DC-DC Converters
- Solar Inverters, Motor Control, UPS

### 3 Description

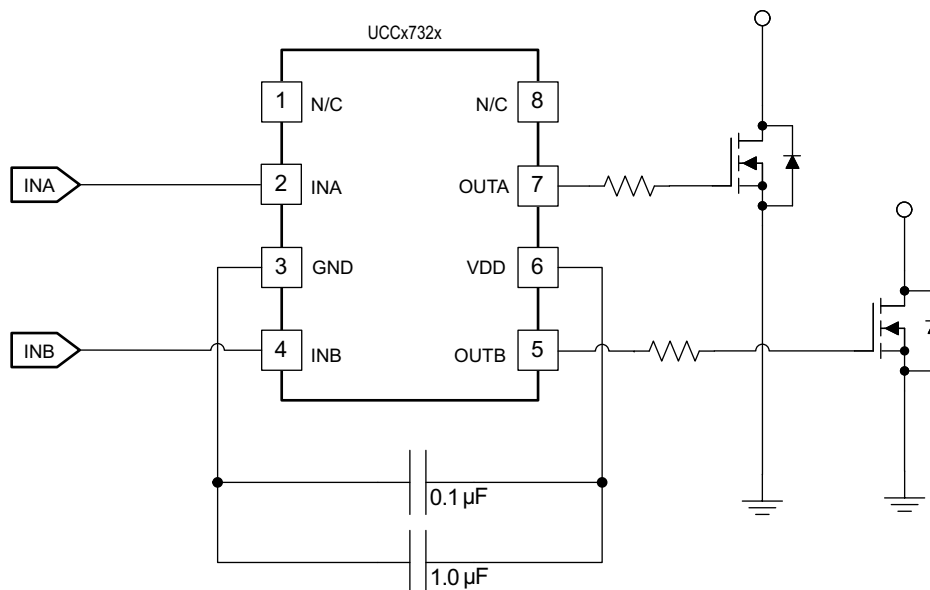
The UCC2732x and UCC3732x family of high-speed dual-MOSFET Drivers deliver 4-A source and 4-A sink peak current to effectively drive MOSFETs where it is needed most at the Miller Plateau Region. A unique BiPolar and MOSFET hybrid output stage in parallel also allows efficient current sourcing and sinking at low supply voltages. Three standard logic options are offered — dual-inverting, dual-noninverting, and one-inverting and one-noninverting driver. Input thresholds are based on TTL and CMOS and independent of supply voltage and feature wide input hysteresis offering excellent noise immunity. The UCC2732x and UCC3732x family is available in the standard SOIC-8 (D) or PDIP-8 (P) packages as well as the thermally enhanced -8pin PowerPAD MSOP package (DGN), drastically lowering thermal resistance to improve long term reliability.

#### Device Information<sup>(1)</sup>

| DEVICE   | KEY SPECS  | PACKAGE                              |
|----------|--|--------------------------------------|
| UCCx732x | -40C $\leq$ Temp $\leq$ 125C<br>4.5V $\leq$ V <sub>DD</sub> $\leq$ 15V<br>20ns/15ns - Rise/Fall times @ 1.8nF load<br>35ns/25ns Rise/Fall Prop Delay | SOIC (8): 4.90 mm x 3.91 mm          |
|          |  | MSOP-PowerPAD (8): 3.00 mm x 3.00 mm |
|          |  | PDIP (8): 9.81 mm x 6.35 mm          |

(1) For all available packages, see the orderable addendum at the end of the data sheet.

#### Simplified Application Diagram



Copyright © 2016, Texas Instruments Incorporated



## Table of Contents

|  |   |  |    |
|--|---|--|----|
| <b>1 Features</b> .....                        | 1 | 8.4 Device Functional Modes.....                                 | 10 |
| <b>2 Applications</b> .....                    | 1 | <b>9 Application and Implementation</b> .....                    | 11 |
| <b>3 Description</b> .....                     | 1 | 9.1 Application Information.....                                 | 11 |
| <b>4 Revision History</b> .....                | 2 | 9.2 Typical Application .....                                    | 12 |
| <b>5 Device Comparison Table</b> .....         | 3 | <b>10 Power Supply Recommendations</b> .....                     | 16 |
| <b>6 Pin Configuration and Functions</b> ..... | 4 | <b>11 Layout</b> .....   | 17 |
| <b>7 Specifications</b> .....                  | 5 | 11.1 Layout Guidelines .....                                     | 17 |
| 7.1 Absolute Maximum Ratings .....             | 5 | 11.2 Layout Example .....  | 17 |
| 7.2 ESD Ratings.....                           | 5 | 11.3 Thermal Considerations .....                                | 18 |
| 7.3 Recommended Operating Conditions.....      | 5 | <b>12 Device and Documentation Support</b> .....                 | 19 |
| 7.4 Thermal Information .....                  | 5 | 12.1 Documentation Support .....                                 | 19 |
| 7.5 Electrical Characteristics.....            | 6 | 12.2 Related Links .....   | 19 |
| 7.6 Switching Characteristics .....            | 6 | 12.3 Receiving Notification of Documentation Updates             | 19 |
| 7.7 Typical Characteristics .....              | 8 | 12.4 Community Resource.....                                     | 19 |
| <b>8 Detailed Description</b> .....            | 9 | 12.5 Trademarks .....  | 19 |
| 8.1 Overview .....                             | 9 | 12.6 Electrostatic Discharge Caution.....                        | 19 |
| 8.2 Functional Block Diagram .....             | 9 | 12.7 Glossary .....  | 20 |
| 8.3 Feature Description.....                   | 9 | <b>13 Mechanical, Packaging, and Orderable Information</b> ..... | 20 |

## 4 Revision History

NOTE: Page numbers for previous revisions may differ from page numbers in the current version.

| Changes from Revision I (July 2016) to Revision J  | Page |
|--|------|
| • Changed NC description from "No connection: must be grounded" to "No Internal Connection"..... | 4    |

| Changes from Revision H (May 2013) to Revision I   | Page |
|--|------|
| • Added <i>ESD Ratings</i> table, <i>Feature Description</i> section, <i>Device Functional Modes</i> , <i>Application and Implementation</i> section, <i>Power Supply Recommendations</i> section, <i>Layout</i> section, <i>Device and Documentation Support</i> section, and <i>Mechanical, Packaging, and Orderable Information</i> section ..... | 1    |
| • Deleted Power Dissipation rows from <i>Absolute Maximum Ratings</i> .....  | 5    |

| Changes from Revision G (March 2010) to Revision H  | Page |
|---|------|
| • Changed D <sub>SCHOTTKY</sub> diode direction and voltage of zener diode from 5.5 to 4.5 V in <a href="#">Figure 7</a> .....                  | 13   |
| • Added three paragraphs after first paragraph of <i>Operational Waveforms and Circuit Layout</i> section before <a href="#">Figure 9</a> ..... | 16   |

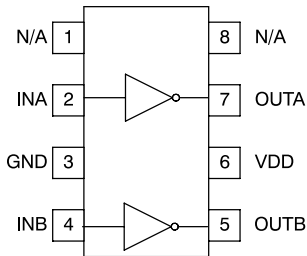
## 5 Device Comparison Table

| OUTPUT CONFIGURATION            | TEMPERATURE RANGE<br>$T_A = T_J$ | PACKAGED DEVICES <sup>(1)</sup> |                                      |            |
|---------------------------------|----------------------------------|---------------------------------|--------------------------------------|------------|
|                                 |                                  | SOIC-8 (D)                      | MSOP-8 PowerPAD (DGN) <sup>(2)</sup> | PDIP-8 (P) |
| Dual inverting                  | –40°C to +125°C                  | UCC27323D                       | UCC27323DGN                          | UCC27323P  |
|                                 | 0°C to +70°C                     | UCC37323D                       | UCC37323DGN                          | UCC37323P  |
| Dual noninverting               | –40°C to +125°C                  | UCC27324D                       | UCC27324DGN                          | UCC27324P  |
|                                 | 0°C to +70°C                     | UCC37324D                       | UCC37324DGN                          | UCC37324P  |
| One inverting, one noninverting | –40°C to +125°C                  | UCC27325D                       | UCC27325DGN                          | UCC27325P  |
|                                 | 0°C to +70°C                     | UCC37325D                       | UCC37325DGN                          | UCC37325P  |

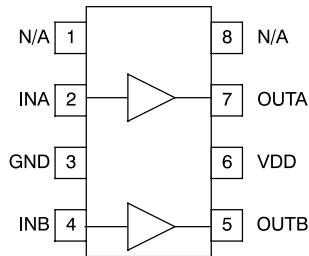
- (1) D (SOIC-8) and DGN (PowerPAD-MSOP) packages are available taped and reeled. Add R suffix to device type (for example UCC27323DR, UCC27324DGNR) to order quantities of 2,500 devices per reel for D or 1,000 devices per reel for DGN package.
- (2) The PowerPAD is not directly connected to any leads of the package. However, the PowerPAD is electrically and thermally connected to the substrate which is the ground of the device.

## 6 Pin Configuration and Functions

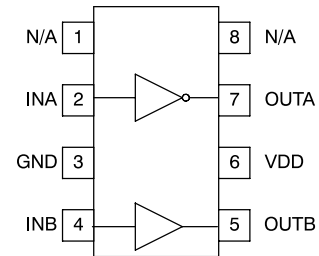
D, DGN, or P Package  
 8-Pin SOIC, MSOP With PowerPAD, or PDIP  
 Top View



(DUAL INVERTING)



(DUAL NONINVERTING)



(ONE INVERTING,  
ONE NONINVERTING)

### Pin Functions

| PIN  |     | I/O | DESCRIPTION  |
|------|-----|-----|--|
| NAME | NO. |     |  |
| GND  | 3   | —   | <b>Common ground:</b> This ground should be connected very closely to the source of the power MOSFET which the driver is driving.  |
| INA  | 2   | I   | <b>Input A:</b> Input signal of the A driver which has logic compatible threshold and hysteresis. If not used, this input must be tied to either VDD or GND; it must not be left floating. |
| INB  | 4   | I   | <b>Input B:</b> Input signal of the A driver which has logic compatible threshold and hysteresis. If not used, this input must be tied to either VDD or GND; it must not be left floating. |
| N/C  | 1   | —   | <b>No Internal Connection</b>  |
| N/C  | 8   | —   | <b>No Internal Connection</b>  |
| OUTA | 7   | O   | <b>Driver output A:</b> The output stage is capable of providing 4-A drive current to the gate of a power MOSFET.  |
| OUTB | 5   | O   | <b>Driver output B:</b> The output stage is capable of providing 4-A drive current to the gate of a power MOSFET.  |
| VDD  | 6   | I   | <b>Supply:</b> Supply voltage and the power input connection for this device.  |

## 7 Specifications

### 7.1 Absolute Maximum Ratings

over operating free-air temperature range (unless otherwise noted)<sup>(1)(2)</sup>

|   |                                | MIN                      | MAX              | UNIT |
|---|--------------------------------|--------------------------|------------------|------|
| Analog input voltage (INA, INB)           |                                | -0.3 to $V_{DD} + 0.3$ V | not to exceed 16 | V    |
| Output body diode DC current (OUTA, OUTB) |                                |                          | 0.2              | A    |
| $I_{OUT\_DC}$<br>$I_{OUT\_PULSED}$        | Output current (OUTA, OUTB)    | DC                       | 0.2              |      |
|   |                                | Pulsed (0.5 $\mu$ s)     | 4.5              |      |
| Output voltage (OUTA, OUTB)               |                                |                          | 16               | V    |
| $V_{DD}$                                  | Supply voltage                 | -0.3                     | 16               | V    |
| $T_J$                                     | Junction operating temperature | -55                      | 150              | °C   |
| $T_{stg}$                                 | Storage temperature            | -65                      | 150              |      |

- (1) Stresses beyond those listed under *Absolute Maximum Ratings* may cause permanent damage to the device. These are stress ratings only, which do not imply functional operation of the device at these or any other conditions beyond those indicated under *Recommended Operating Conditions*. Exposure to absolute-maximum-rated conditions for extended periods may affect device reliability.
- (2) All voltages are with respect to GND. Currents are positive into, negative out of the specified terminal.

### 7.2 ESD Ratings

|             |                         | VALUE  | UNIT |
|-------------|-------------------------|--|------|
| $V_{(ESD)}$ | Electrostatic discharge | Human-body model (HBM), per ANSI/ESDA/JEDEC JS-001 <sup>(1)</sup>              | 4000 |
|             |                         | Charged-device model (CDM), per JEDEC specification JESD22-C101 <sup>(2)</sup> | 1000 |

- (1) JEDEC document JEP155 states that 500-V HBM allows safe manufacturing with a standard ESD control process.
- (2) JEDEC document JEP157 states that 250-V CDM allows safe manufacturing with a standard ESD control process.

### 7.3 Recommended Operating Conditions

over operating free-air temperature range (unless otherwise noted)

|                                |          | MIN | NOM | MAX | UNIT |
|--------------------------------|----------|-----|-----|-----|------|
| Supply voltage                 |          | 4.5 |     | 15  | V    |
| Input voltage                  |          | 0   |     | 15  | V    |
| Operating junction temperature | UCC2732x | -40 |     | 125 | °C   |
|                                | UCC3732x | 0   |     | 70  | °C   |

### 7.4 Thermal Information

| THERMAL METRIC <sup>(1)</sup> |  | UCCx732x |                          |          | UNIT |
|-------------------------------|--|----------|--------------------------|----------|------|
|                               |  | D (SOIC) | DGN (MSOP With PowerPAD) | P (PDIP) |      |
|                               |  | 8 PINS   | 8 PINS                   | 8 PINS   |      |
| $R_{\theta JA}$               | Junction-to-ambient thermal resistance       | 107.3    | 56.6                     | 55.5     | °C/W |
| $R_{\theta JC(top)}$          | Junction-to-case (top) thermal resistance    | 52.2     | 52.8                     | 45.3     | °C/W |
| $R_{\theta JB}$               | Junction-to-board thermal resistance         | 47.3     | 32.6                     | 32.6     | °C/W |
| $\Psi_{JT}$                   | Junction-to-top characterization parameter   | 10.2     | 1.8                      | 23       | °C/W |
| $\Psi_{JB}$                   | Junction-to-board characterization parameter | 46.8     | 32.3                     | 32.5     | °C/W |
| $R_{\theta JC(bot)}$          | Junction-to-case (bottom) thermal resistance | N/A      | 5.9                      | N/A      | °C/W |

- (1) For more information about traditional and new thermal metrics, see the [Semiconductor and IC Package Thermal Metrics](#) application report.

## 7.5 Electrical Characteristics

$V_{DD} = 4.5$  to  $15$  V,  $T_A = T_J$  (unless otherwise noted)

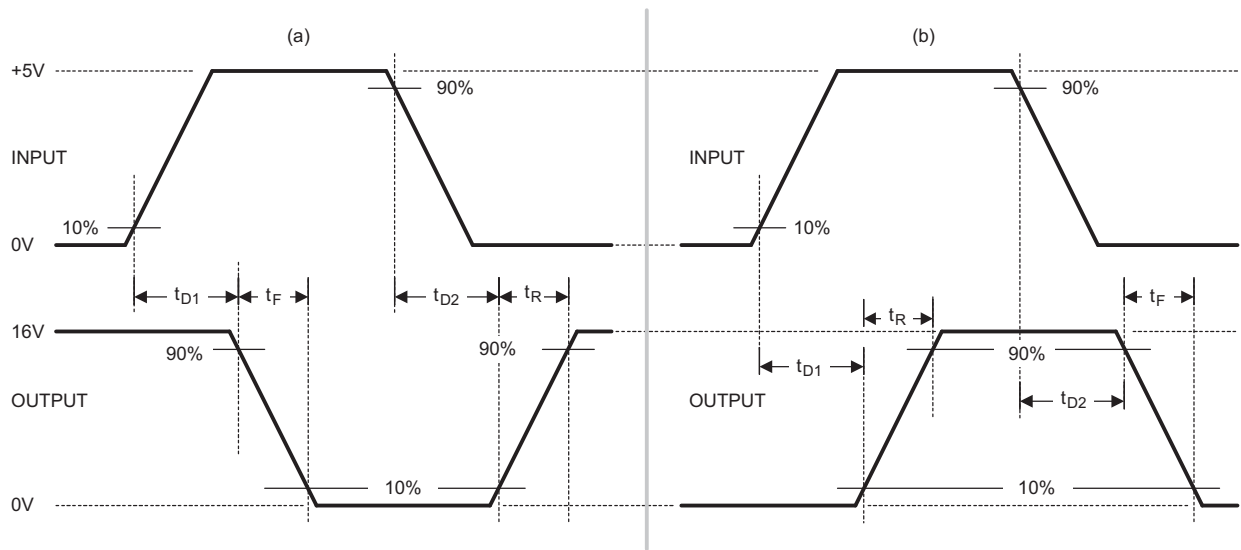
| PARAMETER                  |                           | TEST CONDITIONS  | MIN                    | TYP | MAX | UNIT          |
|----------------------------|---------------------------|--|------------------------|-----|-----|---------------|
| <b>INPUT (INA, INB)</b>    |                           |  |                        |     |     |               |
| $V_{IN\_H}$                | Logic 1 input threshold   |  | 2                      |     |     | V             |
| $V_{IN\_L}$                | Logic 0 input threshold   |  |                        |     | 1   |               |
|                            | Input current             | $0\text{ V} \leftarrow V_{IN} \leftarrow V_{DD}$                                     | -10                    |     | 10  | $\mu\text{A}$ |
| <b>OUTPUT (OUTA, OUTB)</b> |                           |  |                        |     |     |               |
|                            | Output current            | $V_{DD} = 14\text{ V}^{(1)}$   |                        | 4   |     | A             |
| $V_{OH}$                   | High-level output voltage | $V_{OH} = V_{DD} - V_{OUT}$ , $I_{OUT} = -10\text{ mA}$                              |                        | 300 | 450 | mV            |
| $V_{OL}$                   | Low-level output level    | $I_{OUT} = 10\text{ mA}$   |                        | 22  | 45  |               |
|                            | Output resistance high    | $T_A = 25^\circ\text{C}$ , $I_{OUT} = -10\text{ mA}$ , $V_{DD} = 14\text{ V}^{(2)}$  | 25                     | 30  | 35  | $\Omega$      |
|                            |                           | $T_A = \text{full range}$ , $I_{OUT} = -10\text{ mA}$ , $V_{DD} = 14\text{ V}^{(2)}$ | 18                     |     | 42  |               |
|                            | Output resistance low     | $T_A = 25^\circ\text{C}$ , $I_{OUT} = 10\text{ mA}$ , $V_{DD} = 14\text{ V}^{(2)}$   | 1.9                    | 2.2 | 2.5 |               |
|                            |                           | $T_A = \text{full range}$ , $I_{OUT} = 10\text{ mA}$ , $V_{DD} = 14\text{ V}^{(2)}$  | 1.2                    |     | 4   |               |
|                            | Latch-up protection       |  | 500                    |     |     | mA            |
| <b>OVERALL</b>             |                           |  |                        |     |     |               |
| $I_{DD}$                   | Static Operating Current  | UCCx7323   | INA = 0 V, INB = 0 V   | 300 | 450 | $\mu\text{A}$ |
|                            |                           |  | INA = 0 V, INB = HIGH  | 300 | 450 |               |
|                            |                           |  | INA = HIGH, INB = 0 V  | 300 | 450 |               |
|                            |                           |  | INA = HIGH, INB = HIGH | 300 | 450 |               |
|                            |                           | UCCx7324   | INA = 0 V, INB = 0 V   | 2   | 50  |               |
|                            |                           |  | INA = 0 V, INB = HIGH  | 300 | 450 |               |
|                            |                           |  | INA = HIGH, INB = 0 V  | 300 | 450 |               |
|                            |                           |  | INA = HIGH, INB = HIGH | 600 | 750 |               |
|                            |                           | UCCx7325   | INA = 0 V, INB = 0 V   | 150 | 300 |               |
|                            |                           |  | INA = 0 V, INB = HIGH  | 450 | 600 |               |
|                            |                           |  | INA = HIGH, INB = 0 V  | 150 | 300 |               |
|                            |                           |  | INA = HIGH, INB = HIGH | 450 | 600 |               |

- (1) The pullup and pulldown circuits of the driver are bipolar and MOSFET transistors in parallel. The pulsed output current rating is the combined current from the bipolar and MOSFET transistors.
- (2) The pullup and pulldown circuits of the driver are bipolar and MOSFET transistors in parallel. The output resistance is the  $R_{DS(ON)}$  of the MOSFET transistor when the voltage on the driver output is less than the saturation voltage of the bipolar transistor.

## 7.6 Switching Characteristics

over operating free-air temperature range (unless otherwise noted)

| PARAMETER |                               | TEST CONDITIONS   | MIN | TYP | MAX | UNIT |
|-----------|-------------------------------|---|-----|-----|-----|------|
| $T_R$     | Rise time (OUTA, OUTB)        | $C_{LOAD} = 1.8\text{ nF}$ , see <a href="#">Figure 1</a> |     | 20  | 40  | ns   |
| $T_F$     | Fall time (OUTA, OUTB)        | $C_{LOAD} = 1.8\text{ nF}$ , see <a href="#">Figure 1</a> |     | 15  | 40  |      |
| $T_{D1}$  | Delay, IN rising (IN to OUT)  | $C_{LOAD} = 1.8\text{ nF}$ , see <a href="#">Figure 1</a> |     | 25  | 40  |      |
| $T_{D2}$  | Delay, IN falling (IN to OUT) | $C_{LOAD} = 1.8\text{ nF}$ , see <a href="#">Figure 1</a> |     | 35  | 35  |      |



**Figure 1. Switching Waveforms for (a) Inverting Driver and (b) Noninverting Driver**

## 7.7 Typical Characteristics

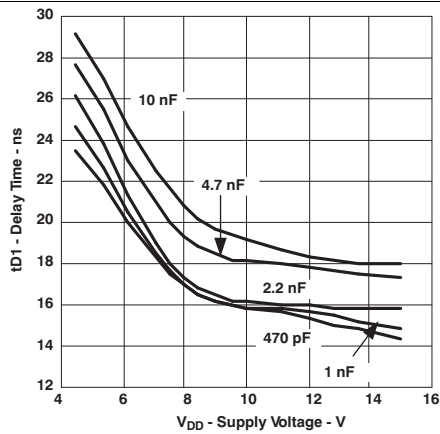


Figure 2. Delay Time ( $t_{D1}$ ) vs Supply Voltage

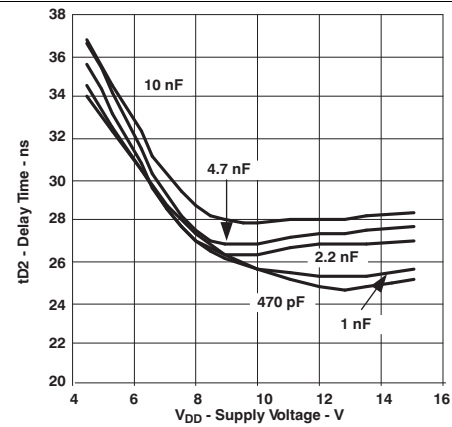


Figure 3. Delay Time ( $t_{D2}$ ) vs Supply Voltage

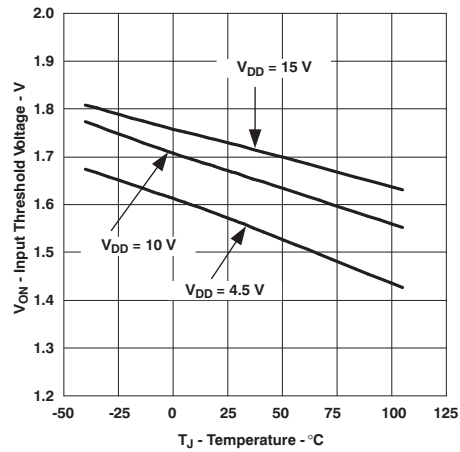


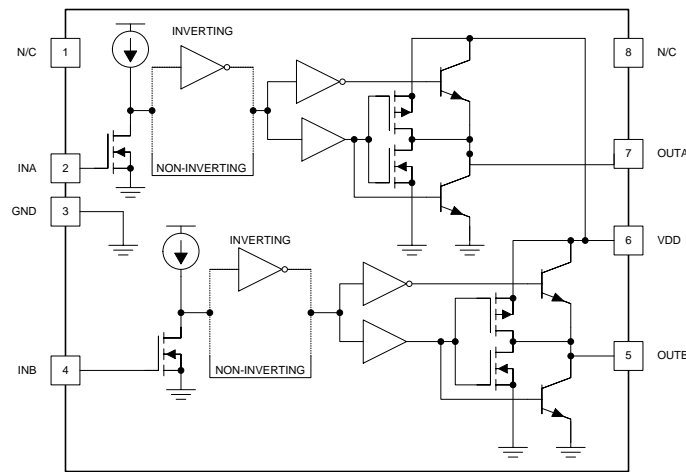
Figure 4. Input Threshold vs Temperature

## 8 Detailed Description

### 8.1 Overview

The UCC2732x and UCC3732x family of high-speed dual MOSFET drivers can deliver large peak currents into capacitive loads. Three standard logic options are offered – dual-inverting, dual-noninverting and one-inverting and one-noninverting driver. Using a design that inherently minimizes shoot-through current, these drivers deliver 4A of current where it is needed most at the Miller plateau region during the MOSFET switching transition. A unique Bipolar and MOSFET hybrid output stage in parallel also allows efficient current sourcing and sinking at low supply voltages.

### 8.2 Functional Block Diagram



Copyright © 2016, Texas Instruments Incorporated

### 8.3 Feature Description

#### 8.3.1 Input Stage

The input thresholds have a 3.3-V logic sensitivity over the full range of  $V_{DD}$  voltage; yet it is equally compatible with 0 V to  $V_{DD}$  signals.

The inputs of UCC2732x and UCC3732x family of drivers are designed to withstand 500-mA reverse current without either damage to the IC for logic upset. The input stage of each driver must be driven by a signal with a short rise or fall time. This condition is satisfied in typical power-supply applications, where the input signals are provided by a PWM controller or logic gates with fast transition times (<200 ns). The input stages to the drivers function as a digital gate, and are not intended for applications where a slow-changing input voltage is used to generate a switching output when the logic threshold of the input section is reached. While this may not be harmful to the driver, the output of the driver may switch repeatedly at a high frequency.

Users should not attempt to shape the input signals to the driver in an attempt to slow down (or delay) the signal at the output. If limited rise or fall times to the power device is desired, an external resistance can be added between the output of the driver and the load device, which is generally a power MOSFET gate. The external resistor may also help remove power dissipation from the device package, as discussed in (see [Thermal Considerations](#)).

Importantly, input signal of the two channels, INA and INB, which has logic compatible threshold and hysteresis. If not used, INA and INB must be tied to either  $V_{DD}$  or GND; it must not be left floating.

#### 8.3.2 Output Stage

Inverting outputs of the UCCx7323 and OUTA of the UCCx7325 are intended to drive external P-channel MOSFETs. Noninverting outputs of the UCCx7324 and OUTB of the UCCx7325 are intended to drive external N-Channel MOSFETs.

## Feature Description (continued)

Each output stage is capable of supplying  $\pm 4$ -A peak current pulses and swings to both VDD and GND. The pullup and pulldown circuits of the driver are constructed of bipolar and MOSFET transistors in parallel. The peak output current rating is the combined current from the bipolar and MOSFET transistors. The output resistance is the  $R_{DS(on)}$  of the MOSFET transistor when the voltage on the driver output is less than the saturation voltage of the bipolar transistor. Each output stage also provides a very low impedance to overshoot and undershoot due to the body diode of the external MOSFET.

This means that in many cases, external-Schottky-clamp diodes are not required. The UCCx732x family delivers 4 A of gate drive where it is most needed during the MOSFET switching transition – at the Miller plateau region – providing improved efficiency gains. A unique Bipolar and MOSFET hybrid output stage in parallel also allows efficient current sourcing at low supply voltages.

## 8.4 Device Functional Modes

With VDD power supply in the range of 4.5 V to 15 V, the output stage is dependent on the states of the HI and LI pins. [Table 1](#) shows the UCCx732x truth table.

**Table 1. Input and Output Table**

| INPUTS (VIN_L, VIN_H) |     | UCC37323x |      | UCC37324x |      | UCC37325x |      |
|-----------------------|-----|-----------|------|-----------|------|-----------|------|
| INA                   | INB | OUTA      | OUTB | OUTA      | OUTB | OUTA      | OUTB |
| L                     | L   | H         | H    | L         | L    | H         | L    |
| L                     | H   | H         | L    | L         | H    | H         | H    |
| H                     | L   | L         | H    | H         | L    | L         | L    |
| H                     | H   | L         | L    | H         | H    | L         | H    |

Importantly, if INA and INB are not used, they must be tied to either VDD or GND; it must not be left floating.

## 9 Application and Implementation

---

### NOTE

Information in the following applications sections is not part of the TI component specification, and TI does not warrant its accuracy or completeness. TI's customers are responsible for determining suitability of components for their purposes. Customers should validate and test their design implementation to confirm system functionality.

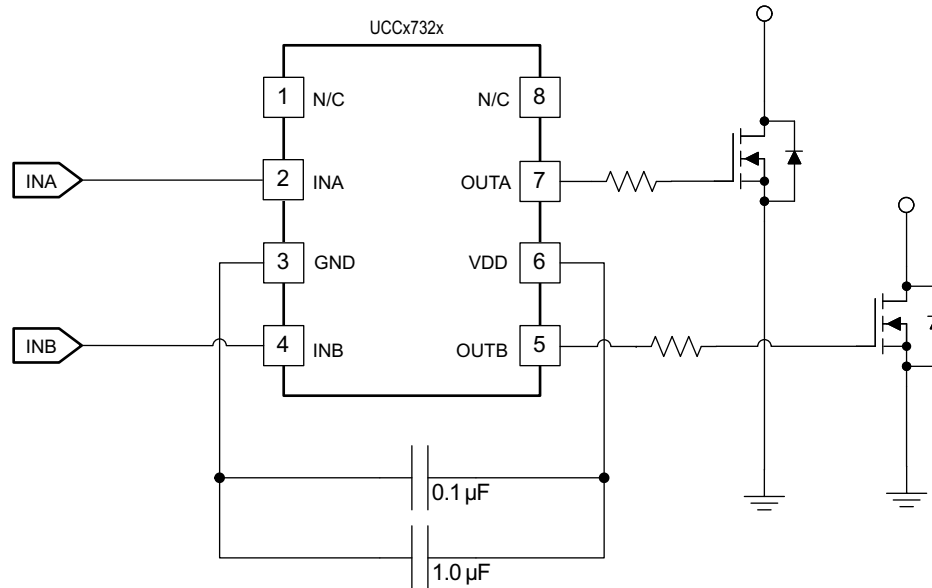
---

### 9.1 Application Information

High-frequency power supplies often require high-speed, high-current drivers such as the UCCx732x family. A leading application is the needed to provide a high-power buffer stage between the PWM output of the control IC and the gates of the primary power MOSFET or IGBT switching devices. In other cases, the driver IC is used to drive the power-device gates through a drive transformer. Synchronous rectification supplies are also needed to simultaneously drive multiple devices which presents an extremely large load to the control circuitry.

Driver ICs are used when having the primary PWM regulator IC directly drive the switching devices for one or more reasons is not feasible. The PWMIC does not have the brute drive capability required for the intended switching MOSFET, limiting the switching performance in the application. In other cases there may be a desire to minimize the effect of high-frequency switching noise by placing the high current driver physically close to the load. Also, newer ICs that target the highest operating frequencies do not incorporate onboard gate drivers at all. Their PWM outputs are only intended to drive the high impedance input to a driver such as the UCCx732x. Finally, the control IC is under thermal stress due to power dissipation, and an external driver helps by moving the heat from the controller to an external package.

## 9.2 Typical Application



Copyright © 2016, Texas Instruments Incorporated

**Figure 5. UCCx732x Driving Two Independent MOSFETs**

### 9.2.1 Design Requirements

To select proper device from UCCx732x family, TI recommends first checking the appropriate logic for the outputs. UCCx7323 has dual inverting outputs; UCCx7324 has dual noninverting outputs; UCCx7325 have inverting channel A and noninverting channel B. Moreover, some design considerations must be evaluated first in order to make the most appropriate selection. Among these considerations are VDD, drive current, and power dissipation.

### 9.2.2 Detailed Design Procedure

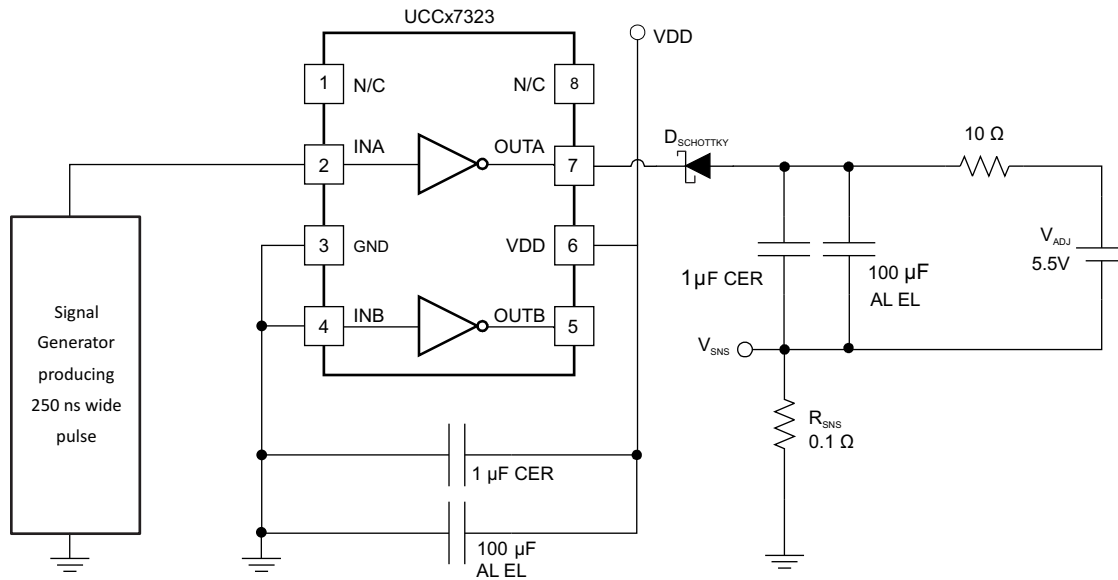
#### 9.2.2.1 Source/Sink Capabilities During Miller Plateau

Large power MOSFETs present a large load to the control circuitry. Proper drive is required for efficient, reliable operation. The UCCx732x drivers have been optimized to provide maximum drive to a power MOSFET during the Miller plateau region of the switching transition. This interval occurs while the drain voltage is swinging between the voltage levels dictated by the power topology, requiring the charging/discharging of the drain-gate capacitance with current supplied or removed by the driver device [1].

Two circuits are used to test the current capabilities of the UCCx732x driver. In each case external circuitry is added to clamp the output near 5 V while the IC is sinking or sourcing current. An input pulse of 250 ns is applied at a frequency of 1 kHz in the proper polarity for the respective test. In each test there is a transient period where the current peaked up and then settled down to a steady-state value. The noted current measurements are made at a time of 200 ns after the input pulse is applied, after the initial transient. [1]

The first circuit in Figure 6 is used to verify the current sink capability when the output of the driver is clamped around 5 V, a typical value of gate-source voltage during the Miller plateau region. The UCCx7323 is found to sink 4.5 A at VDD = 15 V and 4.28 A at VDD = 12 V.

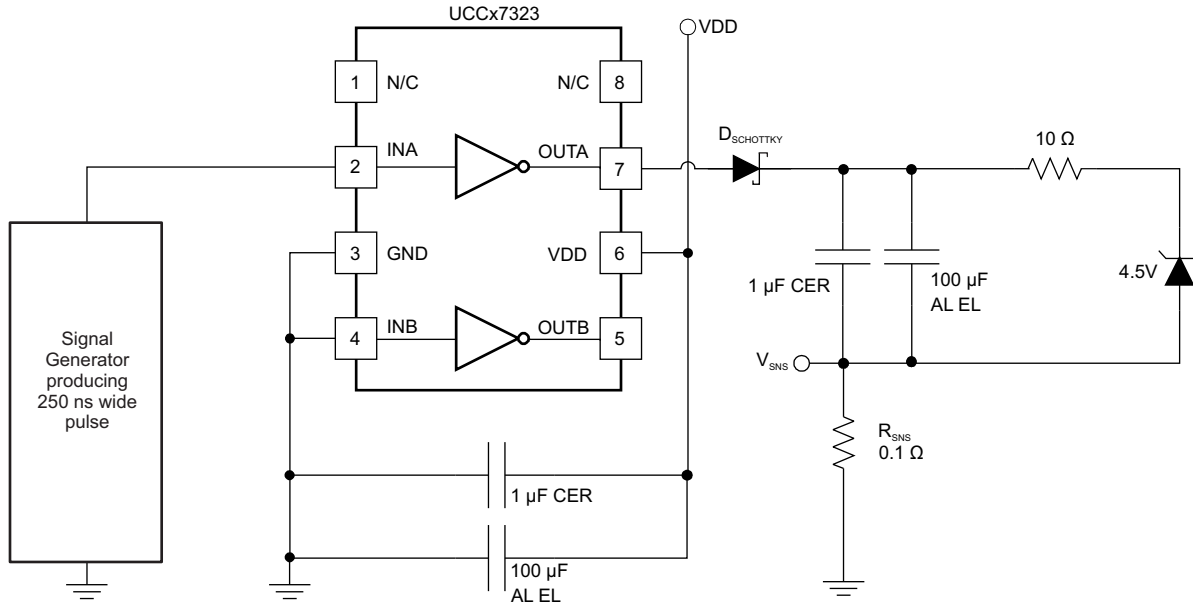
Typical Application (continued)



Copyright © 2016, Texas Instruments Incorporated

Figure 6. Current Sink Capability Test

The circuit shown in Figure 7 is used to test the current source capability with the output clamped to around 5 V with a string of Zener diodes. The UCCx7323 is found to source 4.8 A at VDD = 15 V and 3.7 A at VDD = 12 V.



Copyright © 2016, Texas Instruments Incorporated

Figure 7. Current Source Capability Test

## Typical Application (continued)

### 9.2.2.2 Parallel Outputs

The A and B drivers may be combined into a single driver by connecting the INA/INB inputs together as close to the IC as possible, and the OUTA/OUTB outputs ties together if the external gate drive resistor is not used. In some cases where the external gate drive resistor is used, Ti recommends that the resistor can be equally split in OUTA and OUTB respectively to reduce the parasitic inductance induce unbalance between two channels, as show in Figure 8.

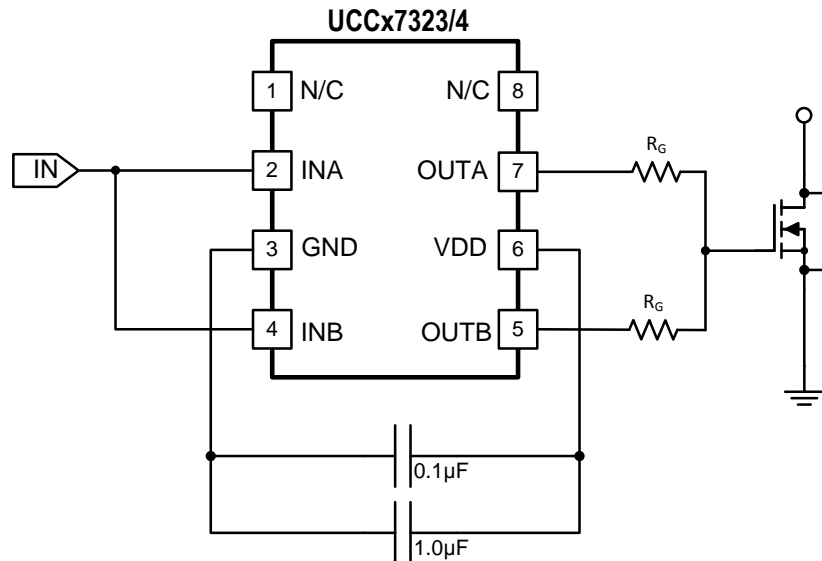


Figure 8. Parallel Operation of UCCx7323 and UCCx7324

Important consideration about paralleling two channels for UCCx7323/4 include: 1) INA and INB should be shorted in PCB layout as close to the device as possible, as well as for OUTA and OUTB, in which condition PCB layout parasitic mismatching between two channels could be minimized. 2) INA/B input slope signal should be fast enough to avoid mismatched  $V_{IN\_H}/V_{IN\_L}$ ,  $t_{d1}/t_{d2}$  between channel-A and channel-B. TI recommends having input signal slope faster than 20 V/us.

### 9.2.2.3 VDD

Although quiescent VDD current is very low, total supply current will be higher, depending on OUTA and OUTB current and the programmed oscillator frequency. Total VDD current is the sum of quiescent VDD current and the average OUT current. Knowing the operating frequency and the MOSFET gate charge ( $Q_g$ ), average OUT current can be calculated using Equation 1.

$$I_{OUT} = Q_g \times f$$

where f is frequency

(1)

For the best high-speed circuit performance, two VDD bypass capacitors are recommended to prevent noise problems. The use of surface mount components is highly recommended. A 0.1- $\mu$ F ceramic capacitor should be located closest to the VDD to ground connection. In addition, a larger capacitor (such as 1  $\mu$ F and above) with relatively low ESR should be connected in parallel, to help deliver the high current peaks to the load. The parallel combination of capacitors should present a low impedance characteristic for the expected current levels in the driver application.

### 9.2.2.4 Driver Current and Power Requirements

The UCCx732x family of drivers is capable of delivering 4 A of current to a MOSFET gate for a period of tens of nanoseconds. High peak current is required to turn the device ON quickly. Then, to turn the device OFF, the driver is required to sink a similar amount of current to ground. This repeats at the operating frequency of the power device. A MOSFET is used in this discussion because it is the most common type of switching device used in high-frequency power conversion equipment.

## Typical Application (continued)

Reference [1] and reference [2] discuss the current required to drive a power MOSFET and other capacitive-input switching devices. Reference [2] includes information on the previous generation of bipolar IC gate drivers.

When a driver IC is tested with a discrete, capacitive load, it is a fairly simple matter to calculate the power that is required from the bias supply. The energy that must be transferred from the bias supply to charge the capacitor is given by Equation 2.

$$E = \frac{1}{2}CV^2$$

where

- C is the load capacitor
  - V is the bias voltage feeding the driver
- (2)

There is an equal amount of energy transferred to ground when the capacitor is discharged. This leads to a power loss given by Equation 3.

$$P = CV^2 \times f$$

where f is the switching frequency

(3)

This power is dissipated in the resistive elements of the circuit. Thus, with no external resistor between the driver and gate, this power is dissipated inside the driver. Half of the total power is dissipated when the capacitor is charged, and the other half is dissipated when the capacitor is discharged. An actual example using the conditions of the previous gate drive waveform should help clarify this.

With  $V_{DD} = 12\text{ V}$ ,  $C_{LOAD} = 10\text{ nF}$ , and  $f = 300\text{ kHz}$ , the power loss can be calculated as Equation 4.

$$P = 10\text{ nF} \times (12\text{ V})^2 \times (300\text{ kHz}) = 0.432\text{ W}$$
(4)

With a 12-V supply, this equates to a current of (see Equation 5):

$$I = P/V = 0.432\text{ W} / 12\text{ V} = 36\text{ mA}$$
(5)

The actual current measured from the supply was 0.037 A, and is very close to the predicted value. But, the  $I_{DD}$  current that is due to the IC internal consumption should be considered. With no load the IC current draw is 0.0027 A. Under this condition the output rise and fall times are faster than with a load. This could lead to an almost insignificant, yet measurable current due to cross-conduction in the output stages of the driver. However, these small current differences are buried in the high frequency switching spikes, and are beyond the measurement capabilities of a basic lab setup. The measured current with 10-nF load is reasonably close to that expected.

The switching load presented by a power MOSFET can be converted to an equivalent capacitance by examining the gate charge required to switch the device. This gate charge includes the effects of the input capacitance plus the added charge needed to swing the drain of the device between the ON and OFF states. Most manufacturers provide specifications that provide the typical and maximum gate charge, in nC, to switch the device under specified conditions. Using the gate charge  $Q_g$ , one can determine the power that must be dissipated when charging a capacitor. This is done by using the equivalence  $Q_g = C_{eff} \times V$  to provide Equation 6 for power:

$$P = C \times V^2 \times f = V \times Q_g \times f$$
(6)

Equation 6 allows a power designer to calculate the bias power required to drive a specific MOSFET gate at a specific bias voltage and a specific switching frequency.

### 9.2.3 Application Curves

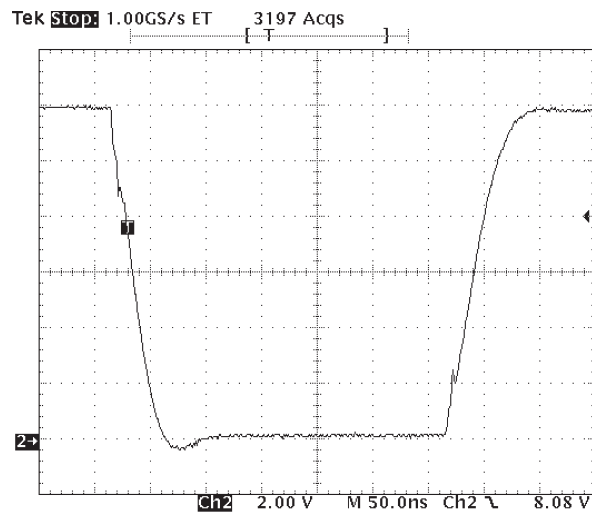
Figure 9 shows the circuit performance achievable with a single driver (half of the 8-pin IC) driving a 10-nF load. The input pulse width (not shown) is set to 300 ns to show both transitions in the output waveform. Note the linear rise and fall edges of the switching waveforms which is due to the constant output current characteristic of the driver as opposed to the resistive output impedance of traditional MOSFET-based gate drivers.

Sink and source currents of the driver are dependent upon the  $V_{DD}$  value and the output capacitive load. The larger the  $V_{DD}$  value, the higher the current capability; also, the larger the capacitive load, the higher the current sink and source capability.

Trace resistance and inductance, including wires and cables for testing, slows down the rise and fall times of the outputs; thus reducing the current capabilities of the driver.

## Typical Application (continued)

To achieve higher current results, reduce resistance and inductance on the board as much as possible and increase the capacitive load value in order to swamp out the effect of inductance values.



$$C_L = 10 \text{ nF}, C_L = 10 \text{ nF}, V_{DD} = 12 \text{ V}$$

**Figure 9. Rising and Falling Time of UCCx732x**

## 10 Power Supply Recommendations

The recommended bias supply voltage range for UCCx732x is from 4.5 V to 15 V. The upper end of this range is driven by the 16 V absolute maximum voltage rating of the VDD. TI recommends keeping proper margin to allow for transient voltage spikes.

A local bypass capacitor must be placed between the VDD and GND pins. And this capacitor must be placed as close to the device as possible. A low ESR, ceramic surface mount capacitor is recommended. TI recommends using 2 capacitors across VDD and GND: a 100-nF ceramic surface-mount capacitor for high frequency filtering placed very close to VDD and GND pin, and another surface-mount capacitor, 220 nF to 10  $\mu$ F, for IC bias requirements.

## 11 Layout

### 11.1 Layout Guidelines

Optimum performance of high and low-side gate drivers cannot be achieved without taking due considerations during circuit board layout. The following points are emphasized:

1) Low ESR/ESL capacitors must be connected close to the IC between VDD and GND pins to support high peak currents drawn from VDD during the turn-on of the external MOSFETs.

2) Grounding considerations:

The first priority in designing grounding connections is to confine the high peak currents that charge and discharge the MOSFET gates to a minimal physical area. This will decrease the loop inductance and minimize noise issues on the gate terminals of the MOSFETs. The gate driver must be placed as close as possible to the MOSFETs.

Star-point grounding is a good way to minimize noise coupling from one current loop to another. The GND of the driver is connected to the other circuit nodes such as source of power MOSFET and ground of PWM controller at one, single point. The connected paths must be as short as possible to reduce inductance and be as wide as possible to reduce resistance.

Use a ground plane to provide noise shielding. Fast rise and fall times at OUT may corrupt the input signals during transition. The ground plane must not be a conduction path for any current loop. Instead the ground plane must be connected to the star-point with one single trace to establish the ground potential. In addition to noise shielding, the ground plane can help in power dissipation as well.

3) In noisy environments, tying inputs of an unused channel of the UCC2742x device to VDD or GND using short traces in order to ensure that the output is enabled and to prevent noise from causing malfunction in the output may be necessary.

4) Separate power traces and signal traces, such as output and input signals.

### 11.2 Layout Example

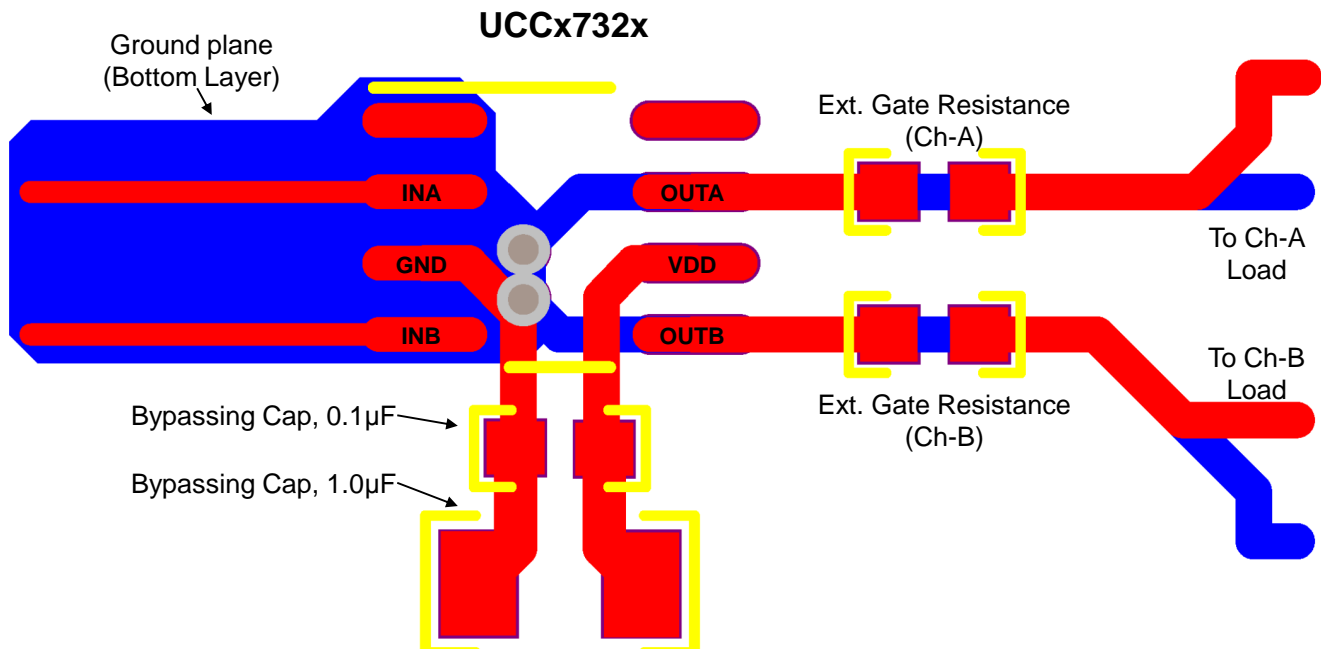


Figure 10. Recommended PCB Layout for UCCx732x

### 11.3 Thermal Considerations

The useful range of a driver is greatly affected by the drive power requirements of the load and the thermal characteristics of the IC package. In order for a power driver to be useful over a particular temperature range, the package must allow for the efficient removal of the heat produced while keeping the junction temperature within rated limits. The UCCx732x family of drivers is available in three different packages to cover a range of application requirements.

The MSOP PowerPAD-8 (DGN) package significantly relieves this concern by offering an effective means of removing the heat from the semiconductor junction. As illustrated in reference [3], the PowerPAD packages offer a lead-frame die pad that is exposed at the base of the package. This pad is soldered to the copper on the PC board directly underneath the IC package, reducing the  $\theta_{JC}$  down to 4.7°C/W. Data is presented in reference [3] to show that the power dissipation can be quadrupled in the PowerPAD configuration when compared to the standard packages. The PC board must be designed with thermal lands and thermal vias to complete the heat removal subsystem, as summarized in reference [4]. This design allows a significant improvement in heat sinking over that which is available in the D or P packages, and is shown to more than double the power capability of the D and P packages.

---

#### NOTE

The PowerPAD is not directly connected to any leads of the package. However, the PowerPad is electrically and thermally connected to the substrate which is the ground of the device.

---

## 12 Device and Documentation Support

### 12.1 Documentation Support

#### 12.1.1 Related Documentation

See the following for related documentation:

1. Power Supply Seminar SEM-1400 Topic 2, [Design And Application Guide For High Speed MOSFET Gate Drive Circuits](#) (SLUP133)
2. [Practical Considerations in High Performance MOSFET, IGBT and MCT Gate Drive Circuits](#) (SLUA105)
3. [PowerPad Thermally Enhanced Package](#) (SLMA002)
4. [PowerPAD Made Easy](#) (SLMA004)

### 12.2 Related Links

The table below lists quick access links. Categories include technical documents, support and community resources, tools and software, and quick access to sample or buy.

**Table 2. Related Links**

| PARTS    | PRODUCT FOLDER             | SAMPLE & BUY               | TECHNICAL DOCUMENTS        | TOOLS & SOFTWARE           | SUPPORT & COMMUNITY        |
|----------|----------------------------|----------------------------|----------------------------|----------------------------|----------------------------|
| UCC27323 | <a href="#">Click here</a> | <a href="#">Click here</a> | <a href="#">Click here</a> | <a href="#">Click here</a> | <a href="#">Click here</a> |
| UCC27324 | <a href="#">Click here</a> | <a href="#">Click here</a> | <a href="#">Click here</a> | <a href="#">Click here</a> | <a href="#">Click here</a> |
| UCC27325 | <a href="#">Click here</a> | <a href="#">Click here</a> | <a href="#">Click here</a> | <a href="#">Click here</a> | <a href="#">Click here</a> |
| UCC37323 | <a href="#">Click here</a> | <a href="#">Click here</a> | <a href="#">Click here</a> | <a href="#">Click here</a> | <a href="#">Click here</a> |
| UCC37324 | <a href="#">Click here</a> | <a href="#">Click here</a> | <a href="#">Click here</a> | <a href="#">Click here</a> | <a href="#">Click here</a> |
| UCC37325 | <a href="#">Click here</a> | <a href="#">Click here</a> | <a href="#">Click here</a> | <a href="#">Click here</a> | <a href="#">Click here</a> |

### 12.3 Receiving Notification of Documentation Updates

To receive notification of documentation updates, navigate to the device product folder on ti.com. In the upper right corner, click on *Alert me* to register and receive a weekly digest of any product information that has changed. For change details, review the revision history included in any revised document.

### 12.4 Community Resource

The following links connect to TI community resources. Linked contents are provided "AS IS" by the respective contributors. They do not constitute TI specifications and do not necessarily reflect TI's views; see TI's [Terms of Use](#).

**TI E2E™ Online Community** *TI's Engineer-to-Engineer (E2E) Community*. Created to foster collaboration among engineers. At e2e.ti.com, you can ask questions, share knowledge, explore ideas and help solve problems with fellow engineers.

**Design Support** *TI's Design Support* Quickly find helpful E2E forums along with design support tools and contact information for technical support.

### 12.5 Trademarks

PowerPAD, E2E are trademarks of Texas Instruments.  
All other trademarks are the property of their respective owners.

### 12.6 Electrostatic Discharge Caution



These devices have limited built-in ESD protection. The leads should be shorted together or the device placed in conductive foam during storage or handling to prevent electrostatic damage to the MOS gates.

## 12.7 Glossary

[SLYZ022](#) — *TI Glossary*.

This glossary lists and explains terms, acronyms, and definitions.

## 13 Mechanical, Packaging, and Orderable Information

The following pages include mechanical, packaging, and orderable information. This information is the most current data available for the designated devices. This data is subject to change without notice and revision of this document. For browser-based versions of this data sheet, refer to the left-hand navigation.

**PACKAGING INFORMATION**

| Orderable Device | Status<br>(1) | Package Type  | Package Drawing | Pins | Package Qty | Eco Plan<br>(2)         | Lead/Ball Finish<br>(6) | MSL Peak Temp<br>(3) | Op Temp (°C) | Device Marking<br>(4/5) | Samples                 |
|------------------|---------------|---------------|-----------------|------|-------------|-------------------------|-------------------------|----------------------|--------------|-------------------------|-------------------------|
| UCC27323D        | ACTIVE        | SOIC          | D               | 8    | 75          | Green (RoHS & no Sb/Br) | CU NIPDAU               | Level-1-260C-UNLIM   | -40 to 125   | 27323                   | <a href="#">Samples</a> |
| UCC27323DG4      | ACTIVE        | SOIC          | D               | 8    | 75          | Green (RoHS & no Sb/Br) | CU NIPDAU               | Level-1-260C-UNLIM   | -40 to 125   | 27323                   | <a href="#">Samples</a> |
| UCC27323DGN      | ACTIVE        | MSOP-PowerPAD | DGN             | 8    | 80          | Green (RoHS & no Sb/Br) | CU NIPDAUAG             | Level-1-260C-UNLIM   | -40 to 125   | 27323                   | <a href="#">Samples</a> |
| UCC27323DGNR     | ACTIVE        | MSOP-PowerPAD | DGN             | 8    | 2500        | Green (RoHS & no Sb/Br) | CU NIPDAUAG             | Level-1-260C-UNLIM   | -40 to 125   | 27323                   | <a href="#">Samples</a> |
| UCC27323DR       | ACTIVE        | SOIC          | D               | 8    | 2500        | Green (RoHS & no Sb/Br) | CU NIPDAU               | Level-1-260C-UNLIM   | -40 to 125   | 27323                   | <a href="#">Samples</a> |
| UCC27323DRG4     | ACTIVE        | SOIC          | D               | 8    | 2500        | Green (RoHS & no Sb/Br) | CU NIPDAU               | Level-1-260C-UNLIM   | -40 to 125   | 27323                   | <a href="#">Samples</a> |
| UCC27323P        | ACTIVE        | PDIP          | P               | 8    | 50          | Pb-Free (RoHS)          | CU NIPDAU               | N / A for Pkg Type   | -40 to 125   | UCC27323P               | <a href="#">Samples</a> |
| UCC27324D        | ACTIVE        | SOIC          | D               | 8    | 75          | Green (RoHS & no Sb/Br) | CU NIPDAU               | Level-1-260C-UNLIM   | -40 to 125   | 27324                   | <a href="#">Samples</a> |
| UCC27324DG4      | ACTIVE        | SOIC          | D               | 8    | 75          | Green (RoHS & no Sb/Br) | CU NIPDAU               | Level-1-260C-UNLIM   | -40 to 125   | 27324                   | <a href="#">Samples</a> |
| UCC27324DGN      | ACTIVE        | MSOP-PowerPAD | DGN             | 8    | 80          | Green (RoHS & no Sb/Br) | CU NIPDAU   CU NIPDAUAG | Level-1-260C-UNLIM   | -40 to 125   | 27324                   | <a href="#">Samples</a> |
| UCC27324DGNG4    | ACTIVE        | MSOP-PowerPAD | DGN             | 8    | 80          | Green (RoHS & no Sb/Br) | CU NIPDAUAG             | Level-1-260C-UNLIM   | -40 to 125   | 27324                   | <a href="#">Samples</a> |
| UCC27324DGNR     | ACTIVE        | MSOP-PowerPAD | DGN             | 8    | 2500        | Green (RoHS & no Sb/Br) | CU NIPDAU   CU NIPDAUAG | Level-1-260C-UNLIM   | -40 to 125   | 27324                   | <a href="#">Samples</a> |
| UCC27324DGNRG4   | ACTIVE        | MSOP-PowerPAD | DGN             | 8    | 2500        | Green (RoHS & no Sb/Br) | CU NIPDAUAG             | Level-1-260C-UNLIM   | -40 to 125   | 27324                   | <a href="#">Samples</a> |
| UCC27324DR       | ACTIVE        | SOIC          | D               | 8    | 2500        | Green (RoHS & no Sb/Br) | CU NIPDAU               | Level-1-260C-UNLIM   | -40 to 125   | 27324                   | <a href="#">Samples</a> |
| UCC27324DRG4     | ACTIVE        | SOIC          | D               | 8    | 2500        | Green (RoHS & no Sb/Br) | CU NIPDAU               | Level-1-260C-UNLIM   | -40 to 125   | 27324                   | <a href="#">Samples</a> |
| UCC27324P        | ACTIVE        | PDIP          | P               | 8    | 50          | Pb-Free (RoHS)          | CU NIPDAU               | N / A for Pkg Type   | -40 to 125   | UCC27324P               | <a href="#">Samples</a> |
| UCC27324PE4      | ACTIVE        | PDIP          | P               | 8    | 50          | Pb-Free (RoHS)          | CU NIPDAU               | N / A for Pkg Type   | -40 to 125   | UCC27324P               | <a href="#">Samples</a> |

| Orderable Device | Status<br>(1) | Package Type      | Package<br>Drawing | Pins | Package<br>Qty | Eco Plan<br>(2)            | Lead/Ball Finish<br>(6) | MSL Peak Temp<br>(3) | Op Temp (°C) | Device Marking<br>(4/5) | Samples                 |
|------------------|---------------|-------------------|--------------------|------|----------------|----------------------------|-------------------------|----------------------|--------------|-------------------------|-------------------------|
| UCC27325D        | ACTIVE        | SOIC              | D                  | 8    | 75             | Green (RoHS<br>& no Sb/Br) | CU NIPDAU               | Level-1-260C-UNLIM   | -40 to 125   | 27325                   | <a href="#">Samples</a> |
| UCC27325DGN      | ACTIVE        | MSOP-<br>PowerPAD | DGN                | 8    | 80             | Green (RoHS<br>& no Sb/Br) | CU NIPDAUAG             | Level-1-260C-UNLIM   | -40 to 125   | 27325                   | <a href="#">Samples</a> |
| UCC27325DGNR     | ACTIVE        | MSOP-<br>PowerPAD | DGN                | 8    | 2500           | Green (RoHS<br>& no Sb/Br) | CU NIPDAUAG             | Level-1-260C-UNLIM   | -40 to 125   | 27325                   | <a href="#">Samples</a> |
| UCC27325DR       | ACTIVE        | SOIC              | D                  | 8    | 2500           | Green (RoHS<br>& no Sb/Br) | CU NIPDAU               | Level-1-260C-UNLIM   | -40 to 125   | 27325                   | <a href="#">Samples</a> |
| UCC27325P        | ACTIVE        | PDIP              | P                  | 8    | 50             | Pb-Free<br>(RoHS)          | CU NIPDAU               | N / A for Pkg Type   | -40 to 125   | UCC27325P               | <a href="#">Samples</a> |
| UCC27325PE4      | ACTIVE        | PDIP              | P                  | 8    | 50             | Pb-Free<br>(RoHS)          | CU NIPDAU               | N / A for Pkg Type   | -40 to 125   | UCC27325P               | <a href="#">Samples</a> |
| UCC37323D        | ACTIVE        | SOIC              | D                  | 8    | 75             | Green (RoHS<br>& no Sb/Br) | CU NIPDAU               | Level-1-260C-UNLIM   | 0 to 70      | 37323                   | <a href="#">Samples</a> |
| UCC37323DGN      | ACTIVE        | MSOP-<br>PowerPAD | DGN                | 8    | 80             | Green (RoHS<br>& no Sb/Br) | CU NIPDAUAG             | Level-1-260C-UNLIM   | 0 to 70      | 37323                   | <a href="#">Samples</a> |
| UCC37323DGNR     | ACTIVE        | MSOP-<br>PowerPAD | DGN                | 8    | 2500           | Green (RoHS<br>& no Sb/Br) | CU NIPDAUAG             | Level-1-260C-UNLIM   | 0 to 70      | 37323                   | <a href="#">Samples</a> |
| UCC37323DR       | ACTIVE        | SOIC              | D                  | 8    | 2500           | Green (RoHS<br>& no Sb/Br) | CU NIPDAU               | Level-1-260C-UNLIM   | 0 to 70      | 37323                   | <a href="#">Samples</a> |
| UCC37323P        | ACTIVE        | PDIP              | P                  | 8    | 50             | Pb-Free<br>(RoHS)          | CU NIPDAU               | N / A for Pkg Type   | 0 to 70      | UCC37323P               | <a href="#">Samples</a> |
| UCC37324D        | ACTIVE        | SOIC              | D                  | 8    | 75             | Green (RoHS<br>& no Sb/Br) | CU NIPDAU               | Level-1-260C-UNLIM   | 0 to 70      | 37324                   | <a href="#">Samples</a> |
| UCC37324DG4      | ACTIVE        | SOIC              | D                  | 8    | 75             | Green (RoHS<br>& no Sb/Br) | CU NIPDAU               | Level-1-260C-UNLIM   | 0 to 70      | 37324                   | <a href="#">Samples</a> |
| UCC37324DGN      | ACTIVE        | MSOP-<br>PowerPAD | DGN                | 8    | 80             | Green (RoHS<br>& no Sb/Br) | CU NIPDAUAG             | Level-1-260C-UNLIM   | 0 to 70      | 37324                   | <a href="#">Samples</a> |
| UCC37324DGNR     | ACTIVE        | MSOP-<br>PowerPAD | DGN                | 8    | 2500           | Green (RoHS<br>& no Sb/Br) | CU NIPDAUAG             | Level-1-260C-UNLIM   | 0 to 70      | 37324                   | <a href="#">Samples</a> |
| UCC37324DR       | ACTIVE        | SOIC              | D                  | 8    | 2500           | Green (RoHS<br>& no Sb/Br) | CU NIPDAU               | Level-1-260C-UNLIM   | 0 to 70      | 37324                   | <a href="#">Samples</a> |
| UCC37324P        | ACTIVE        | PDIP              | P                  | 8    | 50             | Pb-Free<br>(RoHS)          | CU NIPDAU               | N / A for Pkg Type   | 0 to 70      | UCC37324P               | <a href="#">Samples</a> |
| UCC37324PE4      | ACTIVE        | PDIP              | P                  | 8    | 50             | Pb-Free<br>(RoHS)          | CU NIPDAU               | N / A for Pkg Type   | 0 to 70      | UCC37324P               | <a href="#">Samples</a> |

| Orderable Device | Status<br>(1) | Package Type  | Package Drawing | Pins | Package Qty | Eco Plan<br>(2)         | Lead/Ball Finish<br>(6) | MSL Peak Temp<br>(3) | Op Temp (°C) | Device Marking<br>(4/5) | Samples                 |
|------------------|---------------|---------------|-----------------|------|-------------|-------------------------|-------------------------|----------------------|--------------|-------------------------|-------------------------|
| UCC37325D        | ACTIVE        | SOIC          | D               | 8    | 75          | Green (RoHS & no Sb/Br) | CU NIPDAU               | Level-1-260C-UNLIM   | 0 to 70      | 37325                   | <a href="#">Samples</a> |
| UCC37325DGN      | ACTIVE        | MSOP-PowerPAD | DGN             | 8    | 80          | Green (RoHS & no Sb/Br) | CU NIPDAUAG             | Level-1-260C-UNLIM   | 0 to 70      | 37325                   | <a href="#">Samples</a> |
| UCC37325DGNR     | ACTIVE        | MSOP-PowerPAD | DGN             | 8    | 2500        | Green (RoHS & no Sb/Br) | CU NIPDAUAG             | Level-1-260C-UNLIM   | 0 to 70      | 37325                   | <a href="#">Samples</a> |
| UCC37325DGNRG4   | ACTIVE        | MSOP-PowerPAD | DGN             | 8    | 2500        | Green (RoHS & no Sb/Br) | CU NIPDAUAG             | Level-1-260C-UNLIM   | 0 to 70      | 37325                   | <a href="#">Samples</a> |
| UCC37325DR       | ACTIVE        | SOIC          | D               | 8    | 2500        | Green (RoHS & no Sb/Br) | CU NIPDAU               | Level-1-260C-UNLIM   | 0 to 70      | 37325                   | <a href="#">Samples</a> |
| UCC37325P        | ACTIVE        | PDIP          | P               | 8    | 50          | Pb-Free (RoHS)          | CU NIPDAU               | N / A for Pkg Type   | 0 to 70      | UCC37325P               | <a href="#">Samples</a> |

(1) The marketing status values are defined as follows:

**ACTIVE:** Product device recommended for new designs.

**LIFEBUY:** TI has announced that the device will be discontinued, and a lifetime-buy period is in effect.

**NRND:** Not recommended for new designs. Device is in production to support existing customers, but TI does not recommend using this part in a new design.

**PREVIEW:** Device has been announced but is not in production. Samples may or may not be available.

**OBSELETE:** TI has discontinued the production of the device.

(2) **RoHS:** TI defines "RoHS" to mean semiconductor products that are compliant with the current EU RoHS requirements for all 10 RoHS substances, including the requirement that RoHS substance do not exceed 0.1% by weight in homogeneous materials. Where designed to be soldered at high temperatures, "RoHS" products are suitable for use in specified lead-free processes. TI may reference these types of products as "Pb-Free".

**RoHS Exempt:** TI defines "RoHS Exempt" to mean products that contain lead but are compliant with EU RoHS pursuant to a specific EU RoHS exemption.

**Green:** TI defines "Green" to mean the content of Chlorine (Cl) and Bromine (Br) based flame retardants meet JS709B low halogen requirements of <=1000ppm threshold. Antimony trioxide based flame retardants must also meet the <=1000ppm threshold requirement.

(3) MSL, Peak Temp. - The Moisture Sensitivity Level rating according to the JEDEC industry standard classifications, and peak solder temperature.

(4) There may be additional marking, which relates to the logo, the lot trace code information, or the environmental category on the device.

(5) Multiple Device Markings will be inside parentheses. Only one Device Marking contained in parentheses and separated by a "~" will appear on a device. If a line is indented then it is a continuation of the previous line and the two combined represent the entire Device Marking for that device.

(6) Lead/Ball Finish - Orderable Devices may have multiple material finish options. Finish options are separated by a vertical ruled line. Lead/Ball Finish values may wrap to two lines if the finish value exceeds the maximum column width.

**Important Information and Disclaimer:** The information provided on this page represents TI's knowledge and belief as of the date that it is provided. TI bases its knowledge and belief on information provided by third parties, and makes no representation or warranty as to the accuracy of such information. Efforts are underway to better integrate information from third parties. TI has taken and continues to take reasonable steps to provide representative and accurate information but may not have conducted destructive testing or chemical analysis on incoming materials and chemicals. TI and TI suppliers consider certain information to be proprietary, and thus CAS numbers and other limited information may not be available for release.

In no event shall TI's liability arising out of such information exceed the total purchase price of the TI part(s) at issue in this document sold by TI to Customer on an annual basis.

**OTHER QUALIFIED VERSIONS OF UCC27324 :**

- Automotive: [UCC27324-Q1](#)

NOTE: Qualified Version Definitions:

- Automotive - Q100 devices qualified for high-reliability automotive applications targeting zero defects

## TAPE AND REEL INFORMATION



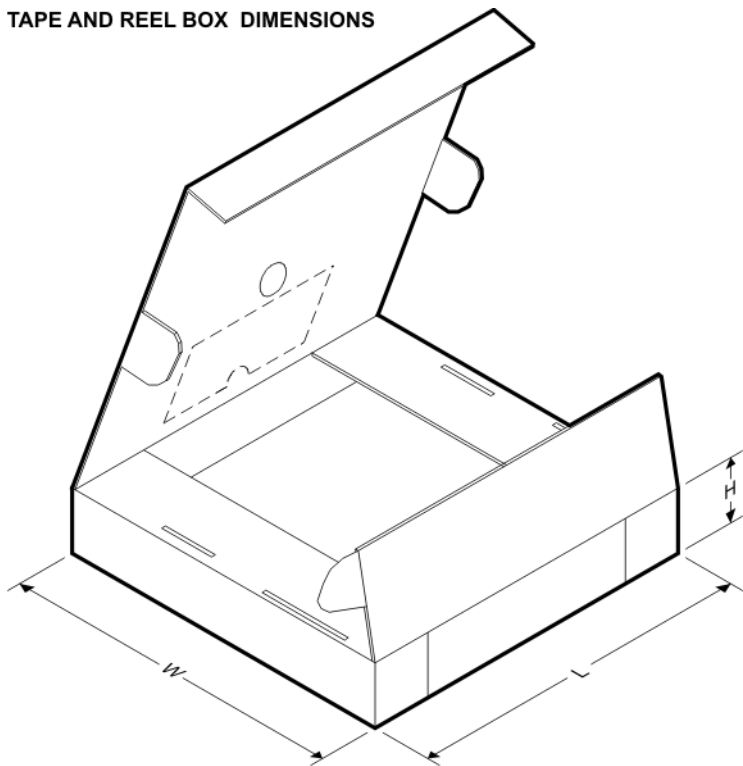
### QUADRANT ASSIGNMENTS FOR PIN 1 ORIENTATION IN TAPE



\*All dimensions are nominal

| Device       | Package Type   | Package Drawing | Pins | SPQ  | Reel Diameter (mm) | Reel Width W1 (mm) | A0 (mm) | B0 (mm) | K0 (mm) | P1 (mm) | W (mm) | Pin1 Quadrant |
|--------------|----------------|-----------------|------|------|--------------------|--------------------|---------|---------|---------|---------|--------|---------------|
| UCC27323DGNR | MSOP-Power PAD | DGN             | 8    | 2500 | 330.0              | 12.4               | 5.3     | 3.4     | 1.4     | 8.0     | 12.0   | Q1            |
| UCC27323DR   | SOIC           | D               | 8    | 2500 | 330.0              | 12.4               | 6.4     | 5.2     | 2.1     | 8.0     | 12.0   | Q1            |
| UCC27324DGNR | MSOP-Power PAD | DGN             | 8    | 2500 | 330.0              | 12.4               | 5.3     | 3.4     | 1.4     | 8.0     | 12.0   | Q1            |
| UCC27324DGNR | MSOP-Power PAD | DGN             | 8    | 2500 | 330.0              | 12.4               | 5.3     | 3.4     | 1.4     | 8.0     | 12.0   | Q1            |
| UCC27324DR   | SOIC           | D               | 8    | 2500 | 330.0              | 12.4               | 6.4     | 5.2     | 2.1     | 8.0     | 12.0   | Q1            |
| UCC27324DR   | SOIC           | D               | 8    | 2500 | 330.0              | 12.4               | 6.4     | 5.2     | 2.1     | 8.0     | 12.0   | Q1            |
| UCC27325DGNR | MSOP-Power PAD | DGN             | 8    | 2500 | 330.0              | 12.4               | 5.3     | 3.4     | 1.4     | 8.0     | 12.0   | Q1            |
| UCC27325DR   | SOIC           | D               | 8    | 2500 | 330.0              | 12.4               | 6.4     | 5.2     | 2.1     | 8.0     | 12.0   | Q1            |
| UCC37323DGNR | MSOP-Power PAD | DGN             | 8    | 2500 | 330.0              | 12.4               | 5.3     | 3.4     | 1.4     | 8.0     | 12.0   | Q1            |
| UCC37323DR   | SOIC           | D               | 8    | 2500 | 330.0              | 12.4               | 6.4     | 5.2     | 2.1     | 8.0     | 12.0   | Q1            |
| UCC37324DGNR | MSOP-Power PAD | DGN             | 8    | 2500 | 330.0              | 12.4               | 5.3     | 3.4     | 1.4     | 8.0     | 12.0   | Q1            |

| Device       | Package Type   | Package Drawing | Pins | SPQ  | Reel Diameter (mm) | Reel Width W1 (mm) | A0 (mm) | B0 (mm) | K0 (mm) | P1 (mm) | W (mm) | Pin1 Quadrant |
|--------------|----------------|-----------------|------|------|--------------------|--------------------|---------|---------|---------|---------|--------|---------------|
|              | Power PAD      |                 |      |      |                    |                    |         |         |         |         |        |               |
| UCC37324DR   | SOIC           | D               | 8    | 2500 | 330.0              | 12.4               | 6.4     | 5.2     | 2.1     | 8.0     | 12.0   | Q1            |
| UCC37325DGNR | MSOP-Power PAD | DGN             | 8    | 2500 | 330.0              | 12.4               | 5.3     | 3.4     | 1.4     | 8.0     | 12.0   | Q1            |
| UCC37325DR   | SOIC           | D               | 8    | 2500 | 330.0              | 12.4               | 6.4     | 5.2     | 2.1     | 8.0     | 12.0   | Q1            |

**TAPE AND REEL BOX DIMENSIONS**


\*All dimensions are nominal

| Device       | Package Type  | Package Drawing | Pins | SPQ  | Length (mm) | Width (mm) | Height (mm) |
|--------------|---------------|-----------------|------|------|-------------|------------|-------------|
| UCC27323DGNR | MSOP-PowerPAD | DGN             | 8    | 2500 | 364.0       | 364.0      | 27.0        |
| UCC27323DR   | SOIC          | D               | 8    | 2500 | 340.5       | 338.1      | 20.6        |
| UCC27324DGNR | MSOP-PowerPAD | DGN             | 8    | 2500 | 346.0       | 346.0      | 29.0        |
| UCC27324DGNR | MSOP-PowerPAD | DGN             | 8    | 2500 | 364.0       | 364.0      | 27.0        |
| UCC27324DR   | SOIC          | D               | 8    | 2500 | 340.5       | 338.1      | 20.6        |
| UCC27324DR   | SOIC          | D               | 8    | 2500 | 367.0       | 367.0      | 35.0        |
| UCC27325DGNR | MSOP-PowerPAD | DGN             | 8    | 2500 | 364.0       | 364.0      | 27.0        |
| UCC27325DR   | SOIC          | D               | 8    | 2500 | 340.5       | 338.1      | 20.6        |
| UCC37323DGNR | MSOP-PowerPAD | DGN             | 8    | 2500 | 364.0       | 364.0      | 27.0        |
| UCC37323DR   | SOIC          | D               | 8    | 2500 | 340.5       | 338.1      | 20.6        |
| UCC37324DGNR | MSOP-PowerPAD | DGN             | 8    | 2500 | 364.0       | 364.0      | 27.0        |

---

| Device       | Package Type  | Package Drawing | Pins | SPQ  | Length (mm) | Width (mm) | Height (mm) |
|--------------|---------------|-----------------|------|------|-------------|------------|-------------|
| UCC37324DR   | SOIC          | D               | 8    | 2500 | 340.5       | 338.1      | 20.6        |
| UCC37325DGNR | MSOP-PowerPAD | DGN             | 8    | 2500 | 364.0       | 364.0      | 27.0        |
| UCC37325DR   | SOIC          | D               | 8    | 2500 | 340.5       | 338.1      | 20.6        |



D0008A

# PACKAGE OUTLINE

SOIC - 1.75 mm max height

SMALL OUTLINE INTEGRATED CIRCUIT



4214825/C 02/2019

NOTES:

1. Linear dimensions are in inches [millimeters]. Dimensions in parenthesis are for reference only. Controlling dimensions are in inches. Dimensioning and tolerancing per ASME Y14.5M.
2. This drawing is subject to change without notice.
3. This dimension does not include mold flash, protrusions, or gate burrs. Mold flash, protrusions, or gate burrs shall not exceed  $.006$  [0.15] per side.
4. This dimension does not include interlead flash.
5. Reference JEDEC registration MS-012, variation AA.

# EXAMPLE BOARD LAYOUT

D0008A

SOIC - 1.75 mm max height

SMALL OUTLINE INTEGRATED CIRCUIT



LAND PATTERN EXAMPLE  
 EXPOSED METAL SHOWN  
 SCALE:8X



SOLDER MASK DETAILS

4214825/C 02/2019

NOTES: (continued)

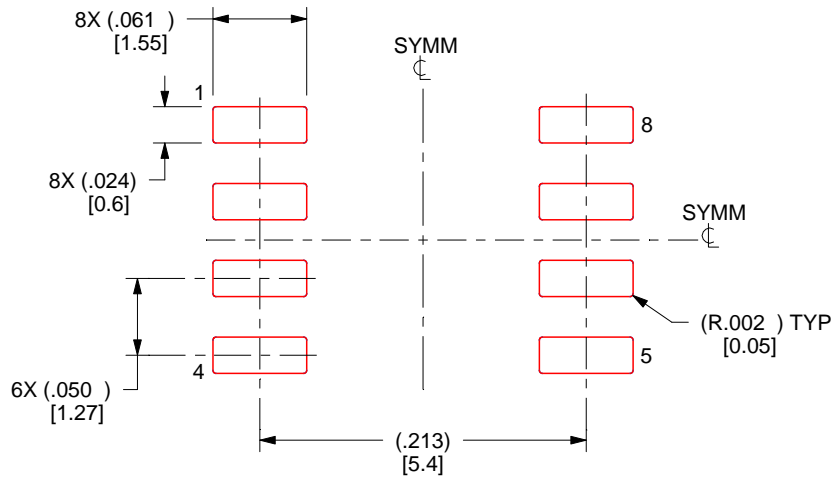
- 6. Publication IPC-7351 may have alternate designs.
- 7. Solder mask tolerances between and around signal pads can vary based on board fabrication site.

# EXAMPLE STENCIL DESIGN

D0008A

SOIC - 1.75 mm max height

SMALL OUTLINE INTEGRATED CIRCUIT



SOLDER PASTE EXAMPLE  
BASED ON .005 INCH [0.125 MM] THICK STENCIL  
SCALE:8X

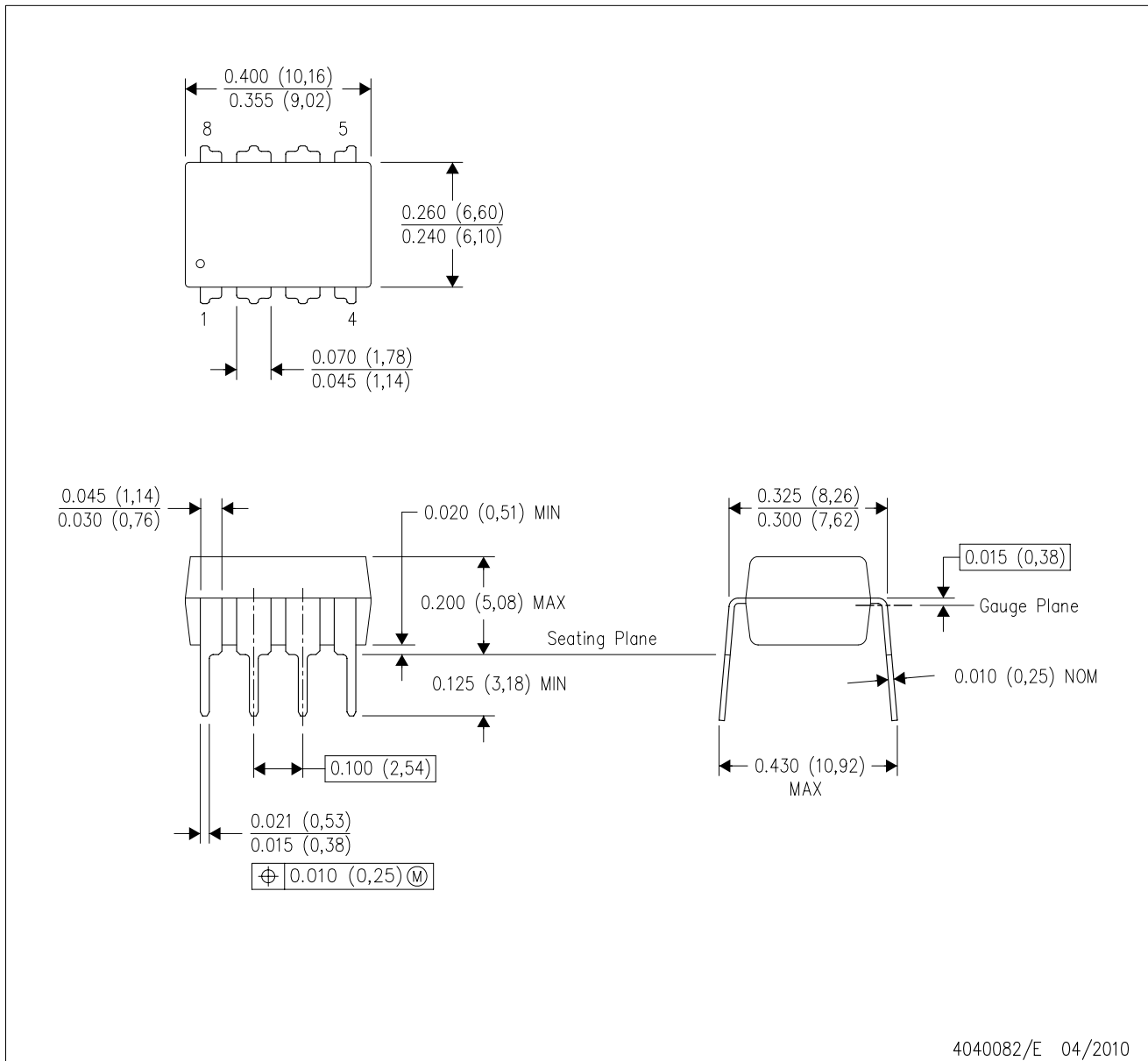
4214825/C 02/2019

NOTES: (continued)

8. Laser cutting apertures with trapezoidal walls and rounded corners may offer better paste release. IPC-7525 may have alternate design recommendations.
9. Board assembly site may have different recommendations for stencil design.

P (R-PDIP-T8)

PLASTIC DUAL-IN-LINE PACKAGE



- NOTES:
- A. All linear dimensions are in inches (millimeters).
  - B. This drawing is subject to change without notice.
  - C. Falls within JEDEC MS-001 variation BA.

DGN (S-PDSO-G8)

PowerPAD™ PLASTIC SMALL OUTLINE



- NOTES:
- All linear dimensions are in millimeters.
  - This drawing is subject to change without notice.
  - Body dimensions do not include mold flash or protrusion.
  - This package is designed to be soldered to a thermal pad on the board. Refer to Technical Brief, PowerPad Thermally Enhanced Package, Texas Instruments Literature No. SLMA002 for information regarding recommended board layout. This document is available at [www.ti.com](http://www.ti.com) <<http://www.ti.com>>.
  - See the additional figure in the Product Data Sheet for details regarding the exposed thermal pad features and dimensions.
  - Falls within JEDEC MO-187 variation AA-T

PowerPAD is a trademark of Texas Instruments.

DGN (S-PDSO-G8)

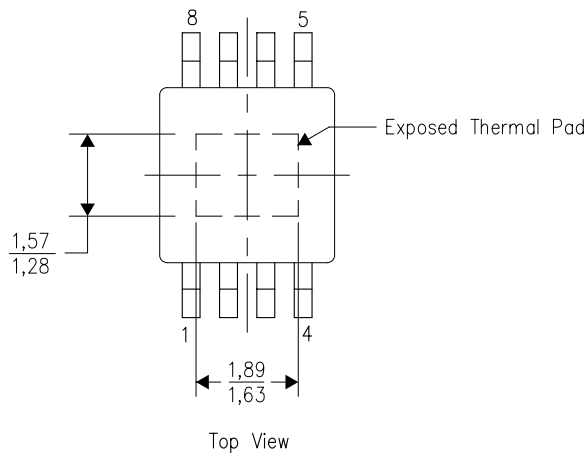
PowerPAD™ PLASTIC SMALL OUTLINE

## THERMAL INFORMATION

This PowerPAD™ package incorporates an exposed thermal pad that is designed to be attached to a printed circuit board (PCB). The thermal pad must be soldered directly to the PCB. After soldering, the PCB can be used as a heatsink. In addition, through the use of thermal vias, the thermal pad can be attached directly to the appropriate copper plane shown in the electrical schematic for the device, or alternatively, can be attached to a special heatsink structure designed into the PCB. This design optimizes the heat transfer from the integrated circuit (IC).

For additional information on the PowerPAD package and how to take advantage of its heat dissipating abilities, refer to Technical Brief, PowerPAD Thermally Enhanced Package, Texas Instruments Literature No. SLMA002 and Application Brief, PowerPAD Made Easy, Texas Instruments Literature No. SLMA004. Both documents are available at [www.ti.com](http://www.ti.com).

The exposed thermal pad dimensions for this package are shown in the following illustration.



Exposed Thermal Pad Dimensions

4206323-2/1 12/11

NOTE: All linear dimensions are in millimeters

PowerPAD is a trademark of Texas Instruments



4207737-2/F 02/13

- NOTES:
- A. All linear dimensions are in millimeters.
  - B. This drawing is subject to change without notice.
  - C. Customers should place a note on the circuit board fabrication drawing not to alter the center solder mask defined pad.
  - D. This package is designed to be soldered to a thermal pad on the board. Refer to Technical Brief, PowerPad Thermally Enhanced Package, Texas Instruments Literature No. SLMA002, SLMA004, and also the Product Data Sheets for specific thermal information, via requirements, and recommended board layout. These documents are available at [www.ti.com](http://www.ti.com) <<http://www.ti.com>>.
  - E. Laser cutting apertures with trapezoidal walls and also rounding corners will offer better paste release. Customers should contact their board assembly site for stencil design recommendations. Example stencil design based on a 50% volumetric metal load solder paste. Refer to IPC-7525 for other stencil recommendations.
  - F. Customers should contact their board fabrication site for solder mask tolerances between and around signal pads.

PowerPAD is a trademark of Texas Instruments

## IMPORTANT NOTICE AND DISCLAIMER

TI PROVIDES TECHNICAL AND RELIABILITY DATA (INCLUDING DATASHEETS), DESIGN RESOURCES (INCLUDING REFERENCE DESIGNS), APPLICATION OR OTHER DESIGN ADVICE, WEB TOOLS, SAFETY INFORMATION, AND OTHER RESOURCES "AS IS" AND WITH ALL FAULTS, AND DISCLAIMS ALL WARRANTIES, EXPRESS AND IMPLIED, INCLUDING WITHOUT LIMITATION ANY IMPLIED WARRANTIES OF MERCHANTABILITY, FITNESS FOR A PARTICULAR PURPOSE OR NON-INFRINGEMENT OF THIRD PARTY INTELLECTUAL PROPERTY RIGHTS.

These resources are intended for skilled developers designing with TI products. You are solely responsible for (1) selecting the appropriate TI products for your application, (2) designing, validating and testing your application, and (3) ensuring your application meets applicable standards, and any other safety, security, or other requirements. These resources are subject to change without notice. TI grants you permission to use these resources only for development of an application that uses the TI products described in the resource. Other reproduction and display of these resources is prohibited. No license is granted to any other TI intellectual property right or to any third party intellectual property right. TI disclaims responsibility for, and you will fully indemnify TI and its representatives against, any claims, damages, costs, losses, and liabilities arising out of your use of these resources.

TI's products are provided subject to TI's Terms of Sale ([www.ti.com/legal/termsofsale.html](http://www.ti.com/legal/termsofsale.html)) or other applicable terms available either on [ti.com](http://ti.com) or provided in conjunction with such TI products. TI's provision of these resources does not expand or otherwise alter TI's applicable warranties or warranty disclaimers for TI products.

Mailing Address: Texas Instruments, Post Office Box 655303, Dallas, Texas 75265  
Copyright © 2019, Texas Instruments Incorporated

## Looking for pricing, stock, or lifecycle information?

Click below to explore more details on WIN SOURCE:

 [View UCC37324DGN on WIN SOURCE](#)

 [Texas Instruments](#) Information

## Optimize Your Supply Chain with WIN SOURCE Solutions

-  Global Sourcing Solution
-  Obsolete Management
-  Cost Control Management
-  Shortage Management
-  Alternative Solution
-  Excess Inventory Management