

Single Ended Active Clamp/Reset PWM

FEATURES

- Provides Auxiliary Switch Activation Complementary to Main Power Switch Drive
- Programmable deadtime (Turn-on Delay) Between Activation of Each Switch
- Voltage Mode Control with Feedforward Operation
- Programmable Limits for Both Transformer Volt- Second Product and PWM Duty Cycle
- High Current Gate Driver for Both Main and Auxiliary Outputs
- Multiple Protection Features with Latched Shutdown and Soft Restart
- Low Supply Current (100 μ A Startup, 1.5 mA Operation)

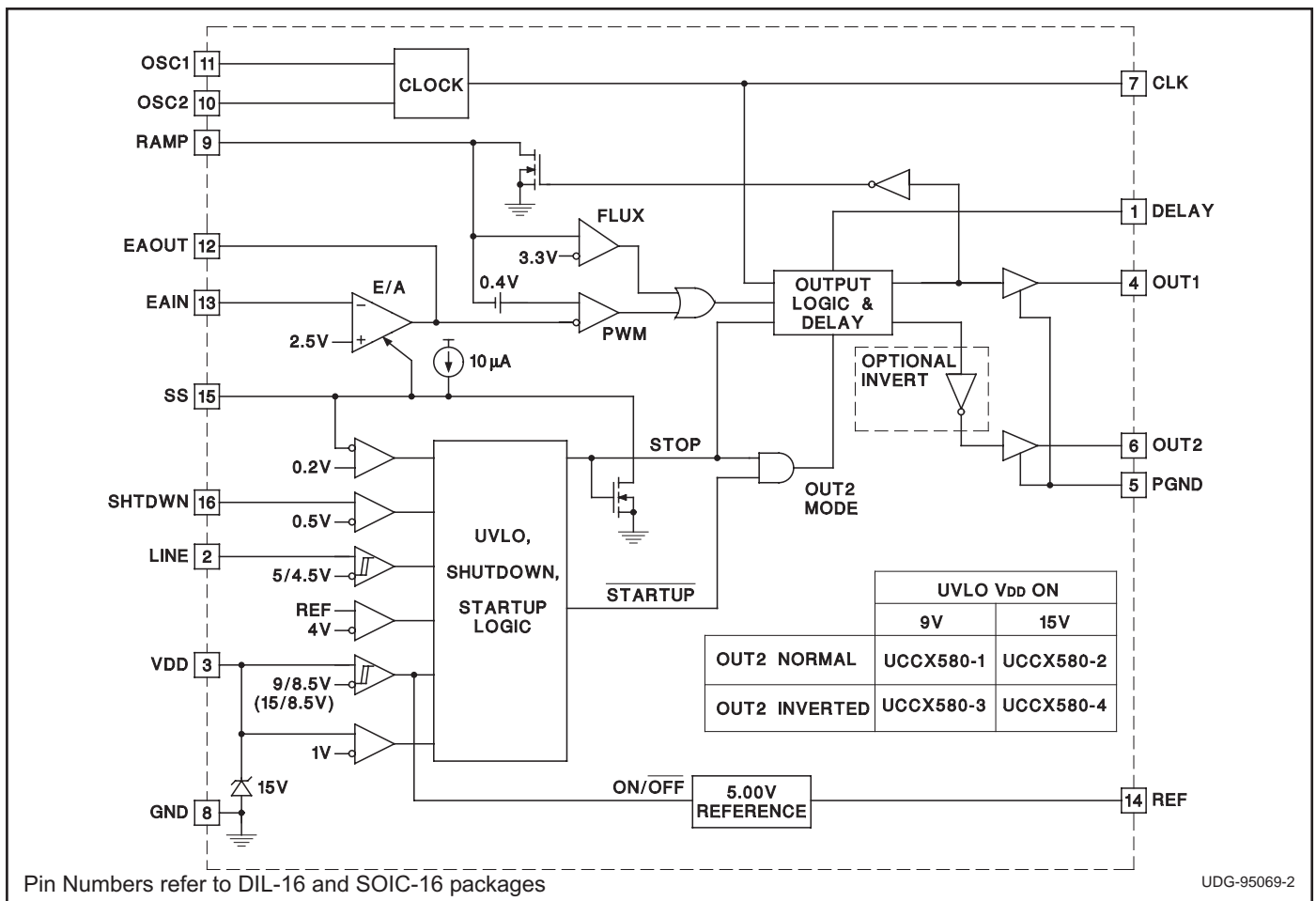
DESCRIPTION

The UCC3580 family of PWM controllers is designed to implement a variety of active clamp/reset and synchronous rectifier switching converter topologies. While containing all the necessary functions for fixed frequency, high performance pulse width modulation, the additional feature of this design is the inclusion of an auxiliary switch driver which complements the main power switch, and with a programmable deadtime or delay between each transition. The active clamp/reset technique allows operation of single ended converters beyond 50% duty cycle while reducing voltage stresses on the switches, and allows a greater flux swing for the power transformer. This approach also allows a reduction in switching losses by recovering energy stored in parasitic elements such as leakage inductance and switch capacitance.

The oscillator is programmed with two resistors and a capacitor to set switching frequency and maximum duty cycle. A separate synchronized ramp provides a voltage feedforward pulse width modulation and a programmed maximum volt-second limit. The generated clock from the oscillator contains both frequency and maximum duty cycle information.

(continued)

BLOCK DIAGRAM



ELECTRICAL CHARACTERISTICS Unless otherwise stated, all specifications are over the full temperature range, VDD = 12V, R1 = 18.2 k Ω , R2 = 4.41 k Ω , CT = 130 pF, R3 = 100 k Ω , COUT1 = 0 F, COUT2 = 0 F. TA = 0°C to 70°C for the UCC3580, -40°C to 85°C for the UCC2580, -55°C to 125°C for the UCC1580, TA = TJ.

PARAMETER	TEST CONDITIONS	MIN	TYP	MAX	UNITS
Oscillator Section					
Frequency		370	400	430	kHz
CLK Pulse Width		650	750	850	ns
CLK VOH	I _{CLK} = 3 mA	4.3	4.7		V
CLK VOL	I _{CLK} = 3 mA		0.3	0.5	V
Ramp Generator Section					
Ramp VOL	I _{RAMP} = 100 μ A		50	100	mV
Flux Comparator Vth		3.16	3.33	3.50	V
Pulse Width Modulator Section					
Minimum Duty Cycle	OUT1, EAOUT = VOL			0	%
Maximum Duty Cycle	OUT1, EAIN = 2.6 V	63	66	69	%
PWM Comparator Offset		0.1	0.4	0.9	V
Error Amplifier Section					
EAIN	EAOUT = EAIN	2.44	2.5	2.56	V
I _{EAIN}	EAOUT = EAIN		150	400	nA
EAOUT, VOL	EAIN = 2.6 V, I _{EAOUT} = 100 μ A		0.3	0.5	V
EAOUT, VOH	EAIN = 2.4 V, I _{EAOUT} = 100 μ A	4	5	5.5	V
AVOL		70	80		dB
Gain Bandwidth Product	f = 100 kHz (Note 1)	2	6		MHz
Softstart/Shutdown Section					
Start Duty Cycle	EAIN = 2.4 V		0		%
SS VOL	I _{SS} = 100 μ A		100	350	mV
SS Restart Threshold			400	550	mV
I _{SS}			-20	-35	μ A
SHTDWN V _{TH}		0.4	0.5	0.6	V
I _{SHTDWN}			50	150	nA
Undervoltage Lockout Section					
VDD On	UCC3580-2,-4	14	15	16	V
	UCC3580-1,-3	8	9	10	V
VDD Off		7.5	8.5	9.5	V
LINE On		4.7	5	5.3	V
LINE Off		4.2	4.5	4.8	V
I _{LINE}	LINE = 6 V		50	150	nA
Supply Section					
VDD Clamp	I _{VDD} = 10 mA	14	15	16	V
I _{VDD} Start	VDD < VDD On		160	250	A
I _{VDD} Operating	No Load		2.5	3.5	mA
Output Drivers Section					
OUT1 V _{SAT} High	I _{OUT1} = 50 mA		0.4	1.0	V
OUT1 V _{SAT} Low	I _{OUT1} = 100 mA		0.4	1.0	V
OUT2 V _{SAT} High	I _{OUT2} = 30 mA		0.4	1.0	V
OUT2 V _{SAT} Low	I _{OUT2} = 30 mA		0.4	1.0	V
OUT1 Fall Time	C _{OUT1} = 1nF, R _S = 3		20	50	ns
OUT1 Rise Time	C _{OUT1} = 1nF, R _S = 3		40	80	ns
OUT2 Fall Time	C _{OUT2} = 300pF, R _S = 10		20	50	ns
OUT2 Rise Time	C _{OUT2} = 300pF, R _S = 10		20	40	ns

ELECTRICAL CHARACTERISTICS Unless otherwise stated, all specifications are over the full temperature range, VDD = 12V, R1 = 18.2 k Ω , R2 = 4.41 k Ω , CT = 130 pF, R3 = 100 k Ω , COUT1 = 0 F, COUT2 = 0 F. TA = 0°C to 70°C for the UCC3580, -40°C to 85°C for the UCC2580, -55°C to 125°C for the UCC1580, TA = TJ.

PARAMETER	TEST CONDITIONS	MIN	TYP	MAX	UNITS
Output Drivers Section (cont.)					
Delay 1 OUT2 to OUT1	R3 = 100 k Ω , COUT1 = COUT2 = 15 pF	90	120	160	ns
	TA = TJ = 25°C	100	120	140	ns
Delay 2 OUT1 to OUT2	R3 = 100 k Ω , COUT1 = COUT2 = 15 pF	110	170	250	ns
	TA = TJ = 25°C	140	170	200	ns
Reference Section					
REF	IREF = 0	4.875	5	5.125	V
Load Regulation	IREF = 0 mA to 1 mA		1	20	mV
Line Regulation	VDD = 10 V to 14 V		1	20	mV

Note 1: Guaranteed by design. Not 100% tested in production.

PIN DESCRIPTIONS

CLK: Oscillator clock output pin from a low impedance CMOS driver. CLK is high during guaranteed off time. CLK can be used to synchronized up to five other UCC3580 PWMs.

DELAY: A resistor from DELAY to GND programs the nonoverlap delay between OUT1 and OUT2. The delay times, Delay1 and Delay2, are shown in Figure 1 and are as follows:

$$Delay\ 1 = 1.1pF \cdot R3$$

Delay2 is designed to be larger than Delay1 by a ratio shown in Figure 2.

EAIN: Inverting input to the error amplifier. The noninverting input of the error amplifier is internally set to 2.5V. EAIN is used for feedback and loop compensation.

EAOUT: Output of the error amplifier and input to the PWM comparator. Loop compensation components connect from EAOUT to EAIN.

GND: Signal Ground.

LINE: Hysteretic comparator input. Thresholds are 5.0V and 4.5V. Used to sense input line voltage and turn off OUT1 when the line is low.

OSC1 & OSC2: Oscillator programming pins. A resistor connects each pin to a timing capacitor. The resistor connected to OSC1 sets maximum on time. The resistor connected to OSC2 controls guaranteed off time. The combined total sets frequency with the timing capacitor. Frequency and maximum duty cycle are approximately given by:

$$Frequency = \frac{1.44}{(R1 + R2) \cdot (CT + 27pF)}$$

$$Maximum\ Duty\ Cycle = \frac{R1}{R1 + R2}$$

Maximum Duty Cycle for OUT1 is slightly less due to Delay1 which is programmed by R3.

OUT1: Gate drive output for the main switch capable of sourcing up to 0.5A and sinking 1A.

OUT2: Gate drive output for the auxiliary switch with 0.3A drive current capability.

PGND: Ground connection for the gate drivers. Connect PGND to GND at a single point so that no high frequency components of the output switching currents are in the ground plane on the circuit board.

RAMP: A resistor (R4) from RAMP to the input voltage and a capacitor (CR) from RAMP to GND programs the feedforward ramp signal. RAMP is discharged to GND when CLK is high and allowed to charge when CLK is low. RAMP is the line feedforward sawtooth signal for the PWM comparator. Assuming the input voltage is much greater than 3.3V, the ramp is very linear. A flux comparator compares the ramp signal to 3.3V to limit the maximum allowable volt-second product:

$$Volt\text{-}Second\ Product\ Clamp = 3.3 \cdot R4 \cdot CR.$$

REF: Precision 5.0V reference pin. REF can supply up to 5mA to external circuits. REF is off until VDD exceeds 9V (-1 and -3 versions) or activates the 15V clamp (-2 and -4 versions) and turns off again when VDD droops below 8.5V. Bypass REF to GND with a 1 μ F capacitor.

SHTDWN: Comparator input to stop the chip. The threshold is 0.5V. When the chip is stopped, OUT1 is low and OUT2 continues to oscillate with guaranteed off time equal to two non-overlap delay times. OUT2 continues to switch after SHTDWN is asserted until the voltage on VDD falls below VCS (typically 4 V) in order to discharge the clamp capacitor.

PIN DESCRIPTIONS (cont.)

SS: A capacitor from SS to ground programs the soft start time. During soft start, EAOUT follows the amplitude of SS's slowly increasing waveform until regulation is achieved.

VDD: Chip power supply pin. VDD should be bypassed to PGND. The -1 and -3 versions require VDD to exceed 9V to start and remain above 8.5V to continue running. A shunt clamp from VDD to GND limits the supply voltage to 15V. The -2 and -4 versions do not start until

APPLICATION INFORMATION

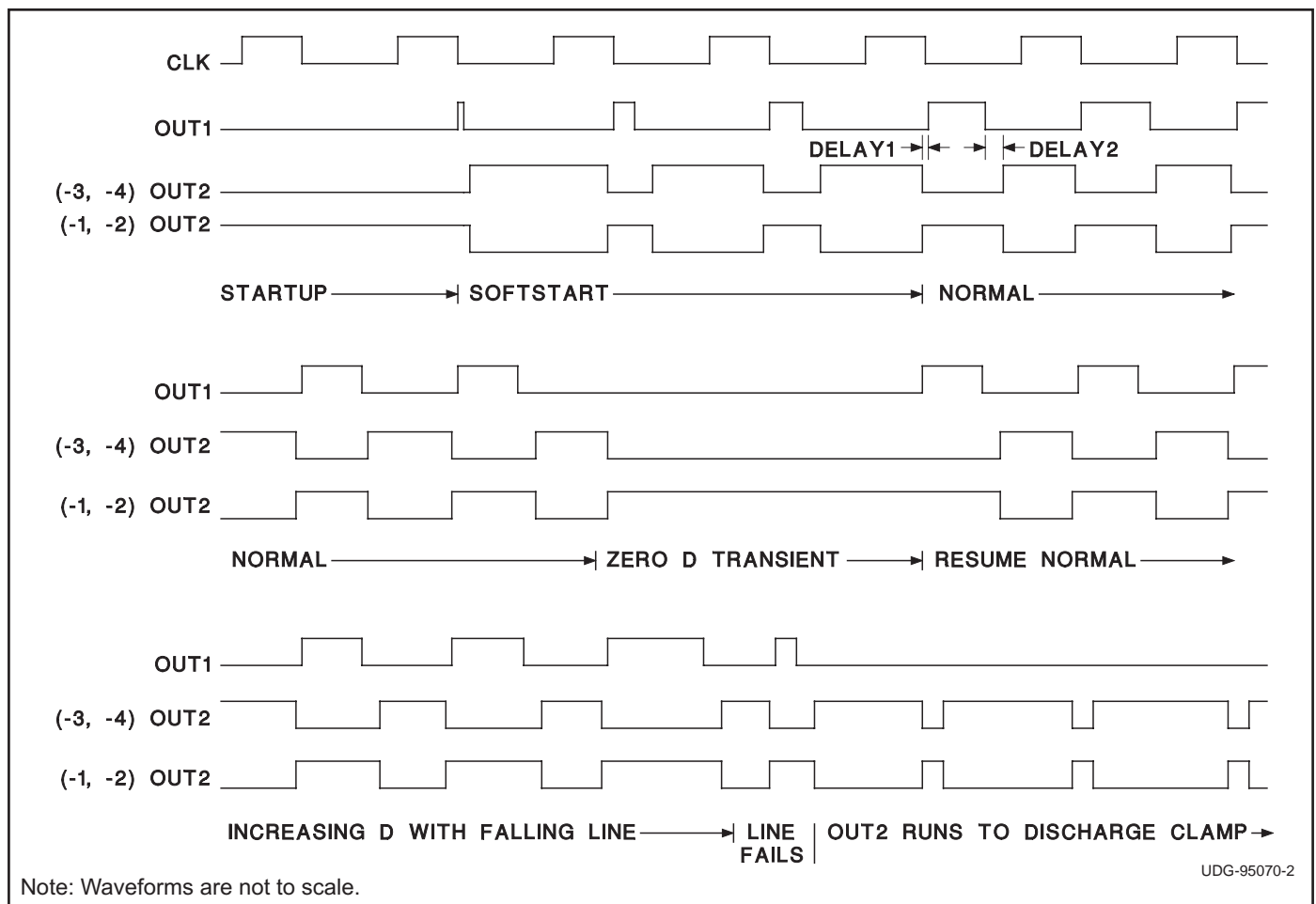


Figure 1. Output time relationships.

UVLO and Startup

For self biased off-line applications, -2 and -4 versions (UVLO on and off thresholds of 15V and 8.5V typical) are recommended. For all other applications, -1 and -3 versions provide the lower on threshold of 9V. The IC requires a low startup current of only 160 μ A when VDD is under the UVLO threshold, enabling use of a large trickle charge resistor (with corresponding low power dissipation) from the input voltage. VDD has an internal clamp at 15V which can sink up to 10mA. Measures should be taken not to exceed this current. For -2 and -4 versions,

this clamp must be activated as an indication of reaching the UVLO on threshold. The internal reference (REF) is brought up when the UVLO on threshold is crossed. The startup logic ensures that LINE and REF are above and SHTDWN is below their respective thresholds before outputs are asserted. LINE input is useful for monitoring actual input voltage and shutting off the IC if it falls below a programmed value. A resistive divider should be used to connect the input voltage to the LINE input. This feature can protect the power supply from excessive currents at low line voltages.

APPLICATION INFORMATION (cont.)

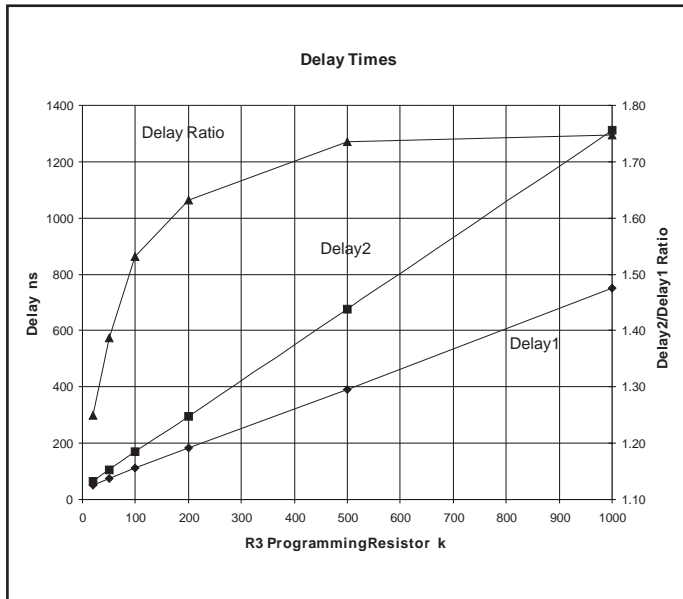


Figure 2. Delay times.

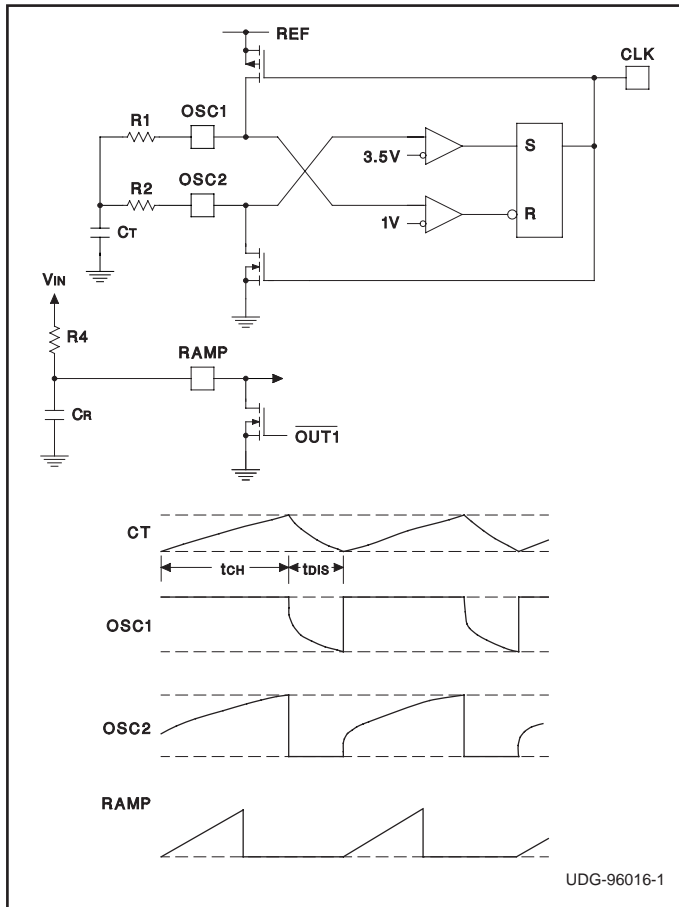


Figure 3. Oscillator and ramp circuits.

The soft start pin provides an effective means to start the IC in a controlled manner. An internal current of 20 A begins charging a capacitor connected to SS once the startup conditions listed above have been met. The voltage on SS effectively controls maximum duty cycle on OUT1 during the charging period. OUT2 is also controlled during this period (see Figure 1). Negation of any of the startup conditions causes SS to be immediately discharged. Internal circuitry ensures full discharge of SS (to 0.3V) before allowing charging to begin again, provided all the startup conditions are again met.

Oscillator

Simplified oscillator block diagram and waveforms are shown in Figure 3. OSC1 and OSC2 pins are used to program the frequency and maximum duty cycle. Capacitor CT is alternately charged through R1 and discharged through R2 between levels of 1.67 V and 3.3 V. The charging and discharging equations for CT are given by

$$VC(\text{charge}) = V_{REF} \cdot \left(1 - \frac{2}{3} \cdot e^{-\frac{t}{\tau_1}}\right)$$

$$VC(\text{discharge}) = \frac{2}{3} \cdot V_{REF} \cdot e^{-\frac{t}{\tau_2}}$$

where $\tau_1 = R1 \cdot CT$ and $\tau_2 = R2 \cdot CT$. The charge time and discharge time are given by

$$t_{CH} = 0.69 \cdot R1 \cdot CT \text{ and } t_{DIS} = 0.69 \cdot R2 \cdot CT$$

The CLK output is high during the discharge period. It blanks the output to limit the maximum duty cycle of OUT1. The frequency and maximum duty cycle are given by

$$\text{Frequency} = \frac{1.44}{(R1 + R2) \cdot (CT + 27 \text{ pF})}$$

$$\text{Maximum Duty Cycle} = \frac{R1}{R1 + R2}$$

Maximum Duty Cycle for OUT1 will be slightly less due to Delay1 which is programmed by R3.

Voltage Feedforward and Volt-Second Clamp

UCC3580 has a provision for input voltage feedforward. As shown in Figure 3, the ramp slope is made proportional to input line voltage by converting it into a charging current for CR. This provides a first order cancellation of the effects of line voltage changes on converter performance. The maximum volt-second clamp is provided to protect against transient saturation of the transformer core. It terminates the OUT1 pulse when the RAMP voltage exceeds 3.3V. If the feedforward feature is not used, the ramp can be generated by tying R4 to REF. However, the linearity of ramp suffers and in this case the maximum volt-second clamp is no longer available.

APPLICATION INFORMATION (cont.)

Output Configurations

The UCC3580 family of ICs is designed to provide control functions for single ended active clamp circuits. For different implementations of the active clamp approach, different drive waveforms for the two switches (main and auxiliary) are required. The -3 and -4 versions of the IC supply complementary non-overlapping waveforms (OUT1 and OUT2) with programmable delay which can be used to drive the main and auxiliary switches. Most active clamp configurations will require one of these outputs to be transformer coupled to drive a floating switch (e.g. Figure 5). The -1 and -2 versions have the phase of OUT2 inverted to give overlapping waveforms. This configuration is suitable for capacity coupled driving of a ground referenced p-channel auxiliary switch with the OUT2 drive while OUT1 is directly driving an n-channel main switch (e.g. Figure 4).

The programmable delay can be judiciously used to get zero voltage turn-on of both the main and auxiliary switches in the active clamp circuits. For the UCC3580,

a single pin is used to program the delays between OUT1 and OUT2 on both sets of edges. Figure 1 shows the relationships between the outputs. Figure 2 gives the ratio between the two delays. During the transition from main to auxiliary switch, the delay is not very critical for ZVS turn-on. For the first half of OUT1 off-time, the body diode of the auxiliary switch conducts and OUT2 can be turned on any time. The transition from auxiliary to main switch is more critical. Energy stored in the parasitic inductance(s) at the end of the OUT2 pulse is used to discharge the parasitic capacitance across the main switch during the delay time. The delay (Delay 1) should be optimally programmed at 1/4 the resonant period determined by parasitic capacitance and the resonant inductor (transformer leakage and/or magnetizing inductances, depending on the topology). However, depending on other circuit parasitics, the resonant behavior can change, and in some cases, ZVS turn-on may not be obtainable. It can be shown that the optimum delay time is independent of operating conditions for a specific circuit and should be determined specifically for each circuit.

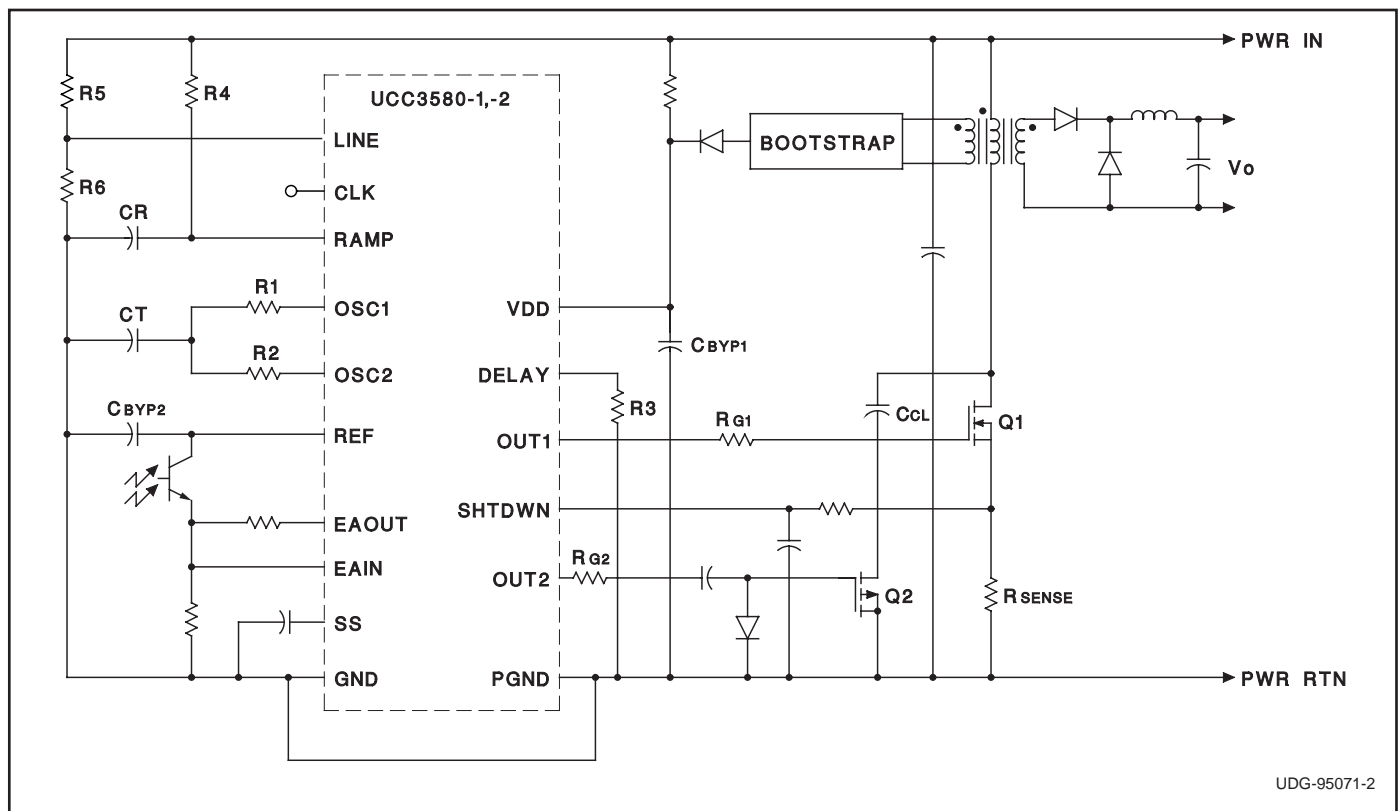
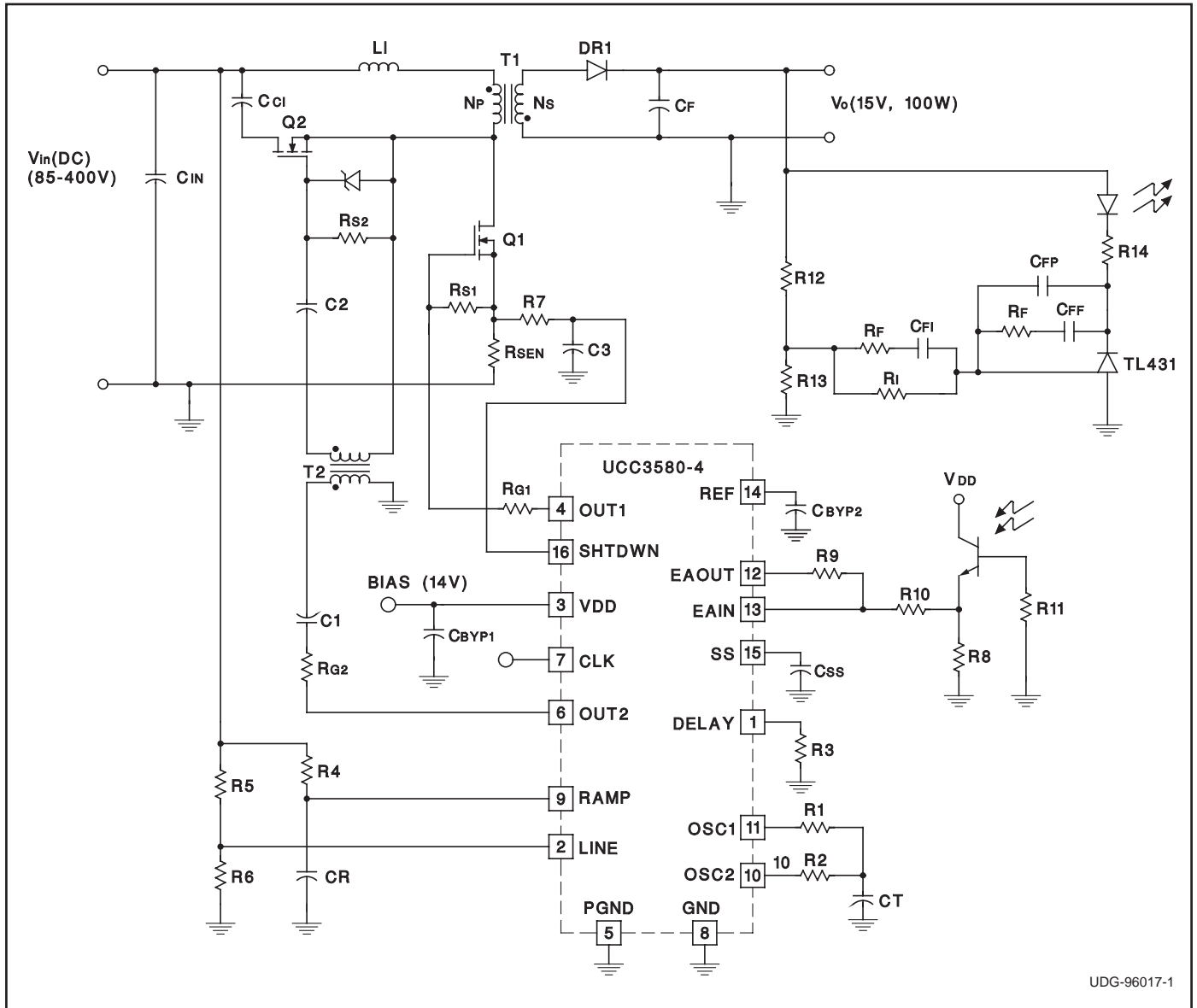


Figure 4. Active clamp forward converter.

APPLICATION INFORMATION (cont.)



UDG-96017-1

Figure 5. Off-line active clamp flyback converter.

The use of active reset in a flyback power converter topology may be covered by U.S. Patent No. 5,402,329 owned by Technical Witts, Inc., and for which Unitrode offers users a paid up license for application of the UCC1580 product family.

APPLICATION INFORMATION (cont.)

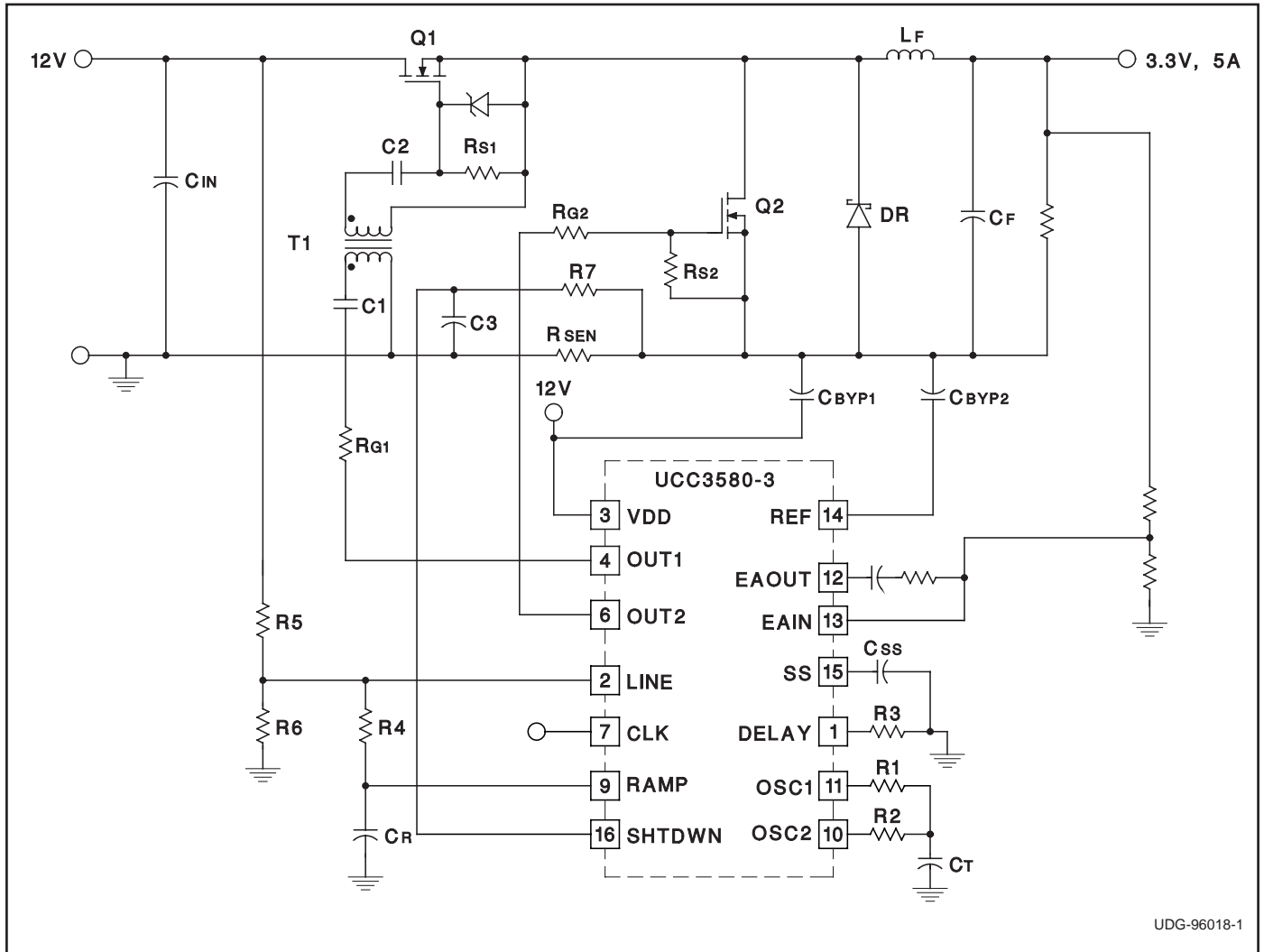


Figure 6. UCC3580 used in a synchronous rectifier application.

REVISION	DATE	COMMENT
SLUS292B	MAY 2005	Updated OSC frequency and maximum duty cycle, CT charge and discharge equations. Updated SHTDWN pin description. Updated typical CT value used for measurements in electrical characteristics table.
SLUS292C	MAY 2005	Removed Q package from datasheet.

PACKAGING INFORMATION

Orderable Device	Status (1)	Package Type	Package Drawing	Pins	Package Qty	Eco Plan (2)	Lead/Ball Finish (6)	MSL Peak Temp (3)	Op Temp (°C)	Device Marking (4/5)	Samples
HPA00033DTR	ACTIVE	SOIC	D	16	2500	Green (RoHS & no Sb/Br)	CU NIPDAU	Level-1-260C-UNLIM	0 to 70	UCC3580D-1	Samples
HPA00034DTR	ACTIVE	SOIC	D	16	2500	Green (RoHS & no Sb/Br)	CU NIPDAU	Level-1-260C-UNLIM	0 to 70	UCC3580D-2	Samples
HPA00036DTR	ACTIVE	SOIC	D	16	2500	Green (RoHS & no Sb/Br)	CU NIPDAU	Level-1-260C-UNLIM	0 to 70	UCC3580D-4	Samples
HPA00706DTR-2	ACTIVE	SOIC	D	16	2500	Green (RoHS & no Sb/Br)	CU NIPDAU	Level-1-260C-UNLIM	-40 to 85	UCC2580D-2	Samples
UCC2580D-1	ACTIVE	SOIC	D	16	40	Green (RoHS & no Sb/Br)	CU NIPDAU	Level-1-260C-UNLIM	-40 to 85	UCC2580D-1	Samples
UCC2580D-2	ACTIVE	SOIC	D	16	40	Green (RoHS & no Sb/Br)	CU NIPDAU	Level-1-260C-UNLIM	-40 to 85	UCC2580D-2	Samples
UCC2580D-3	ACTIVE	SOIC	D	16	40	Green (RoHS & no Sb/Br)	CU NIPDAU	Level-1-260C-UNLIM	-40 to 85	UCC2580D-3	Samples
UCC2580D-3G4	ACTIVE	SOIC	D	16	40	Green (RoHS & no Sb/Br)	CU NIPDAU	Level-1-260C-UNLIM	-40 to 85	UCC2580D-3	Samples
UCC2580D-4	ACTIVE	SOIC	D	16	40	Green (RoHS & no Sb/Br)	CU NIPDAU	Level-1-260C-UNLIM	-40 to 85	UCC2580D-4	Samples
UCC2580DTR-1	ACTIVE	SOIC	D	16	2500	Green (RoHS & no Sb/Br)	CU NIPDAU	Level-1-260C-UNLIM	-40 to 85	UCC2580D-1	Samples
UCC2580DTR-2	ACTIVE	SOIC	D	16	2500	Green (RoHS & no Sb/Br)	CU NIPDAU	Level-1-260C-UNLIM	-40 to 85	UCC2580D-2	Samples
UCC2580DTR-3	ACTIVE	SOIC	D	16	2500	Green (RoHS & no Sb/Br)	CU NIPDAU	Level-1-260C-UNLIM	-40 to 85	UCC2580D-3	Samples
UCC2580DTR-4	ACTIVE	SOIC	D	16	2500	Green (RoHS & no Sb/Br)	CU NIPDAU	Level-1-260C-UNLIM	-40 to 85	UCC2580D-4	Samples
UCC3580D-1	ACTIVE	SOIC	D	16	40	Green (RoHS & no Sb/Br)	CU NIPDAU	Level-1-260C-UNLIM	0 to 70	UCC3580D-1	Samples
UCC3580D-2	ACTIVE	SOIC	D	16	40	Green (RoHS & no Sb/Br)	CU NIPDAU	Level-1-260C-UNLIM	0 to 70	UCC3580D-2	Samples
UCC3580D-2G4	ACTIVE	SOIC	D	16	40	Green (RoHS & no Sb/Br)	CU NIPDAU	Level-1-260C-UNLIM	0 to 70	UCC3580D-2	Samples
UCC3580D-3	ACTIVE	SOIC	D	16	40	Green (RoHS & no Sb/Br)	CU NIPDAU	Level-1-260C-UNLIM	0 to 70	UCC3580D-3	Samples

Orderable Device	Status (1)	Package Type	Package Drawing	Pins	Package Qty	Eco Plan (2)	Lead/Ball Finish (6)	MSL Peak Temp (3)	Op Temp (°C)	Device Marking (4/5)	Samples
UCC3580D-4	ACTIVE	SOIC	D	16	40	Green (RoHS & no Sb/Br)	CU NIPDAU	Level-1-260C-UNLIM	0 to 70	UCC3580D-4	Samples
UCC3580DTR-1	ACTIVE	SOIC	D	16	2500	Green (RoHS & no Sb/Br)	CU NIPDAU	Level-1-260C-UNLIM	0 to 70	UCC3580D-1	Samples
UCC3580DTR-2	ACTIVE	SOIC	D	16	2500	Green (RoHS & no Sb/Br)	CU NIPDAU	Level-1-260C-UNLIM	0 to 70	UCC3580D-2	Samples
UCC3580DTR-3	ACTIVE	SOIC	D	16	2500	Green (RoHS & no Sb/Br)	CU NIPDAU	Level-1-260C-UNLIM	0 to 70	UCC3580D-3	Samples
UCC3580DTR-4	ACTIVE	SOIC	D	16	2500	Green (RoHS & no Sb/Br)	CU NIPDAU	Level-1-260C-UNLIM	0 to 70	UCC3580D-4	Samples

(1) The marketing status values are defined as follows:

ACTIVE: Product device recommended for new designs.

LIFEBUY: TI has announced that the device will be discontinued, and a lifetime-buy period is in effect.

NRND: Not recommended for new designs. Device is in production to support existing customers, but TI does not recommend using this part in a new design.

PREVIEW: Device has been announced but is not in production. Samples may or may not be available.

OBSELETE: TI has discontinued the production of the device.

(2) **RoHS:** TI defines "RoHS" to mean semiconductor products that are compliant with the current EU RoHS requirements for all 10 RoHS substances, including the requirement that RoHS substance do not exceed 0.1% by weight in homogeneous materials. Where designed to be soldered at high temperatures, "RoHS" products are suitable for use in specified lead-free processes. TI may reference these types of products as "Pb-Free".

RoHS Exempt: TI defines "RoHS Exempt" to mean products that contain lead but are compliant with EU RoHS pursuant to a specific EU RoHS exemption.

Green: TI defines "Green" to mean the content of Chlorine (Cl) and Bromine (Br) based flame retardants meet JS709B low halogen requirements of <=1000ppm threshold. Antimony trioxide based flame retardants must also meet the <=1000ppm threshold requirement.

(3) MSL, Peak Temp. - The Moisture Sensitivity Level rating according to the JEDEC industry standard classifications, and peak solder temperature.

(4) There may be additional marking, which relates to the logo, the lot trace code information, or the environmental category on the device.

(5) Multiple Device Markings will be inside parentheses. Only one Device Marking contained in parentheses and separated by a "-" will appear on a device. If a line is indented then it is a continuation of the previous line and the two combined represent the entire Device Marking for that device.

(6) Lead/Ball Finish - Orderable Devices may have multiple material finish options. Finish options are separated by a vertical ruled line. Lead/Ball Finish values may wrap to two lines if the finish value exceeds the maximum column width.

Important Information and Disclaimer: The information provided on this page represents TI's knowledge and belief as of the date that it is provided. TI bases its knowledge and belief on information provided by third parties, and makes no representation or warranty as to the accuracy of such information. Efforts are underway to better integrate information from third parties. TI has taken and

continues to take reasonable steps to provide representative and accurate information but may not have conducted destructive testing or chemical analysis on incoming materials and chemicals. TI and TI suppliers consider certain information to be proprietary, and thus CAS numbers and other limited information may not be available for release.

In no event shall TI's liability arising out of such information exceed the total purchase price of the TI part(s) at issue in this document sold by TI to Customer on an annual basis.

TAPE AND REEL INFORMATION

QUADRANT ASSIGNMENTS FOR PIN 1 ORIENTATION IN TAPE


*All dimensions are nominal

Device	Package Type	Package Drawing	Pins	SPQ	Reel Diameter (mm)	Reel Width W1 (mm)	A0 (mm)	B0 (mm)	K0 (mm)	P1 (mm)	W (mm)	Pin1 Quadrant
UCC2580DTR-1	SOIC	D	16	2500	330.0	16.4	6.5	10.3	2.1	8.0	16.0	Q1
UCC2580DTR-2	SOIC	D	16	2500	330.0	16.4	6.5	10.3	2.1	8.0	16.0	Q1
UCC2580DTR-3	SOIC	D	16	2500	330.0	16.4	6.5	10.3	2.1	8.0	16.0	Q1
UCC2580DTR-4	SOIC	D	16	2500	330.0	16.4	6.5	10.3	2.1	8.0	16.0	Q1
UCC3580DTR-1	SOIC	D	16	2500	330.0	16.4	6.5	10.3	2.1	8.0	16.0	Q1
UCC3580DTR-2	SOIC	D	16	2500	330.0	16.4	6.5	10.3	2.1	8.0	16.0	Q1
UCC3580DTR-3	SOIC	D	16	2500	330.0	16.4	6.5	10.3	2.1	8.0	16.0	Q1
UCC3580DTR-4	SOIC	D	16	2500	330.0	16.4	6.5	10.3	2.1	8.0	16.0	Q1

TAPE AND REEL BOX DIMENSIONS


*All dimensions are nominal

Device	Package Type	Package Drawing	Pins	SPQ	Length (mm)	Width (mm)	Height (mm)
UCC2580DTR-1	SOIC	D	16	2500	333.2	345.9	28.6
UCC2580DTR-2	SOIC	D	16	2500	333.2	345.9	28.6
UCC2580DTR-3	SOIC	D	16	2500	333.2	345.9	28.6
UCC2580DTR-4	SOIC	D	16	2500	333.2	345.9	28.6
UCC3580DTR-1	SOIC	D	16	2500	333.2	345.9	28.6
UCC3580DTR-2	SOIC	D	16	2500	333.2	345.9	28.6
UCC3580DTR-3	SOIC	D	16	2500	333.2	345.9	28.6
UCC3580DTR-4	SOIC	D	16	2500	333.2	345.9	28.6

D (R-PDSO-G16)

PLASTIC SMALL OUTLINE



4040047-6/M 06/11

- NOTES:
- A. All linear dimensions are in inches (millimeters).
 - B. This drawing is subject to change without notice.
 -  C. Body length does not include mold flash, protrusions, or gate burrs. Mold flash, protrusions, or gate burrs shall not exceed 0.006 (0,15) each side.
 -  D. Body width does not include interlead flash. Interlead flash shall not exceed 0.017 (0,43) each side.
 - E. Reference JEDEC MS-012 variation AC.

D (R-PDSO-G16)

PLASTIC SMALL OUTLINE



- NOTES:
- All linear dimensions are in millimeters.
 - This drawing is subject to change without notice.
 - Publication IPC-7351 is recommended for alternate designs.
 - Laser cutting apertures with trapezoidal walls and also rounding corners will offer better paste release. Customers should contact their board assembly site for stencil design recommendations. Refer to IPC-7525 for other stencil recommendations.
 - Customers should contact their board fabrication site for solder mask tolerances between and around signal pads.

IMPORTANT NOTICE AND DISCLAIMER

TI PROVIDES TECHNICAL AND RELIABILITY DATA (INCLUDING DATASHEETS), DESIGN RESOURCES (INCLUDING REFERENCE DESIGNS), APPLICATION OR OTHER DESIGN ADVICE, WEB TOOLS, SAFETY INFORMATION, AND OTHER RESOURCES "AS IS" AND WITH ALL FAULTS, AND DISCLAIMS ALL WARRANTIES, EXPRESS AND IMPLIED, INCLUDING WITHOUT LIMITATION ANY IMPLIED WARRANTIES OF MERCHANTABILITY, FITNESS FOR A PARTICULAR PURPOSE OR NON-INFRINGEMENT OF THIRD PARTY INTELLECTUAL PROPERTY RIGHTS.

These resources are intended for skilled developers designing with TI products. You are solely responsible for (1) selecting the appropriate TI products for your application, (2) designing, validating and testing your application, and (3) ensuring your application meets applicable standards, and any other safety, security, or other requirements. These resources are subject to change without notice. TI grants you permission to use these resources only for development of an application that uses the TI products described in the resource. Other reproduction and display of these resources is prohibited. No license is granted to any other TI intellectual property right or to any third party intellectual property right. TI disclaims responsibility for, and you will fully indemnify TI and its representatives against, any claims, damages, costs, losses, and liabilities arising out of your use of these resources.

TI's products are provided subject to TI's Terms of Sale (www.ti.com/legal/termsofsale.html) or other applicable terms available either on ti.com or provided in conjunction with such TI products. TI's provision of these resources does not expand or otherwise alter TI's applicable warranties or warranty disclaimers for TI products.

Mailing Address: Texas Instruments, Post Office Box 655303, Dallas, Texas 75265
Copyright © 2019, Texas Instruments Incorporated

Looking for pricing, stock, or lifecycle information?

Click below to explore more details on WIN SOURCE:

 [View UCC2580D-2](#) on WIN SOURCE

 [Texas Instruments](#) Information

Optimize Your Supply Chain with WIN SOURCE Solutions

-  Global Sourcing Solution
-  Obsolete Management
-  Cost Control Management
-  Shortage Management
-  Alternative Solution
-  Excess Inventory Management