



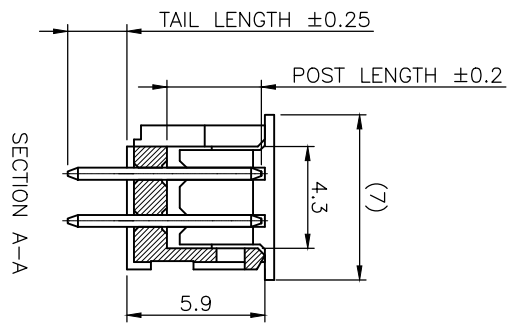
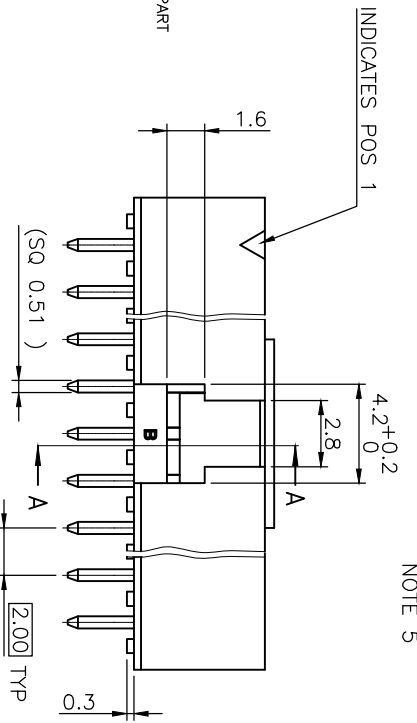
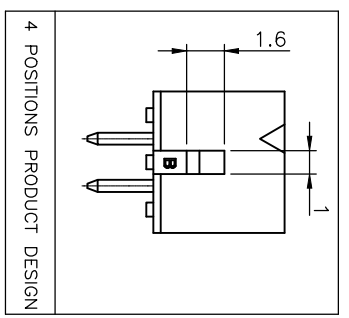
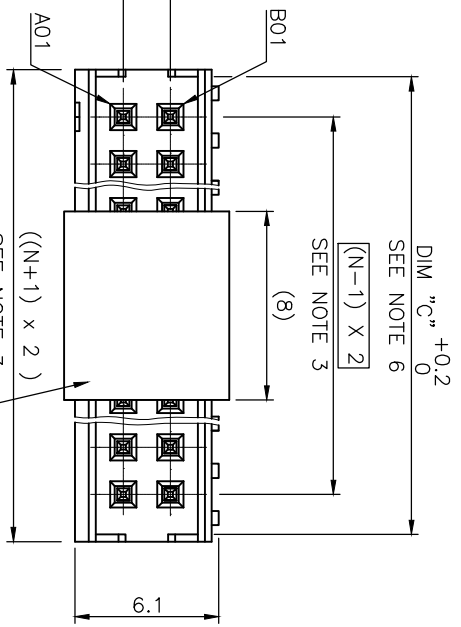
THE DATASHEET OF
98414-S06-14LF





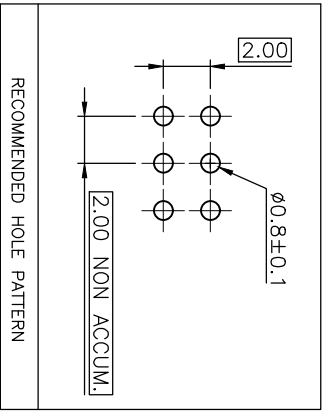
S COMPATIBLE, SEE NOTE 8
 SEE NOTE 7
 SEE NOTE 5
 POSITIONS, 04 TO 50 POS
 N NOTE 1

TAIL LENGTH	2.00
	2.50
	3.10
	3.70



FEATURE APPLICABLE
 50 POS
 MER DEDICATED PART
 CUSTOMER DEDICATED PART
 R CUSTOMER DEDICATED PART



PIN NOT APPLICABLE.



mat'l. code		surface		tolerance		projection		product family	
SEE NOTES		ISO 1302		ISO 406 ISO 150		101		MINITEK	
lfr	ec'n no	dr	date	tolerances unless otherwise specified		mm		title	
P	F10-0215 JCO	10.09.16		X.X ±0.3		1:1		SHR HEADER	
R	B-18812 LMU	14.09.15		X.XX ±0.13				2.00 VERTICAL TMT	
S	B-19190 LMU	14.10.24		X.XXX ±0.05				dwg no	
T	B-19797 AMA	14.12.16	dr	LMULIN				98414	
U	B-19988 LMU	15.01.13	length	JCOMPAGNON		04.09.27		sheet 1 of 2 size	
N	E09-0211 JCO	09.11.03	chp	JM.C		04.09.27		A3	
sheet	revision	U	A					CUSTOMER Drawing	
index	sheet	1	2						

Looking for pricing, stock, or lifecycle information?

Click below to explore more details on WIN SOURCE:

-  [View 98414-S06-14LF on WIN SOURCE](#)
-  [Amphenol FCI Information](#)

Optimize Your Supply Chain with WIN SOURCE Solutions

-  Global Sourcing Solution
-  Obsolete Management
-  Cost Control Management
-  Shortage Management
-  Alternative Solution
-  Excess Inventory Management