



**THE DATASHEET OF  
TXB0108ZXYRG4**



# TXB0108 8-Bit Bidirectional Voltage-Level Translator with Auto-Direction Sensing and $\pm 15$ -kV ESD Protection

## 1 Features

- 1.2 V to 3.6 V on A Port and 1.65 V to 5.5 V on B Port ( $V_{CCA} \leq V_{CCB}$ )
- $V_{CC}$  Isolation Feature – If Either  $V_{CC}$  Input Is at GND, All Outputs Are in the High-Impedance State
- OE Input Circuit Referenced to  $V_{CCA}$
- Low Power Consumption, 4- $\mu$ A Max  $I_{CC}$
- $I_{off}$  Supports Partial-Power-Down Mode Operation
- Latch-Up Performance Exceeds 100 mA Per JESD 78, Class II
- ESD Protection Exceeds JESD 22
  - A Port
    - 2000-V Human-Body Model (A114-B)
    - 1000-V Charged-Device Model (C101)
  - B Port
    - $\pm 15$ -kV Human-Body Model (A114-B)
    - $\pm 8$ -kV Human-Body Model (A114-B) (YZP Package Only)
    - 1000-V Charged-Device Model (C101)

## 2 Applications

- Handset
- Smartphone
- Tablet
- Desktop PC

## 3 Description

This 8-bit noninverting translator uses two separate configurable power-supply rails. The A port is designed to track  $V_{CCA}$ .  $V_{CCA}$  accepts any supply voltage from 1.2 V to 3.6 V. The B port is designed to track  $V_{CCB}$ .  $V_{CCB}$  accepts any supply voltage from 1.65 V to 5.5 V. This allows for universal low-voltage bidirectional translation between any of the 1.2-V, 1.5-V, 1.8-V, 2.5-V, 3.3-V, and 5-V voltage nodes.  $V_{CCA}$  should not exceed  $V_{CCB}$ .

When the output-enable (OE) input is low, all outputs are placed in the high-impedance state.

The TXB0108 is designed so that the OE input circuit is supplied by  $V_{CCA}$ .

This device is fully specified for partial-power-down applications using  $I_{off}$ . The  $I_{off}$  circuitry disables the outputs, preventing damaging current backflow through the device when it is powered down.

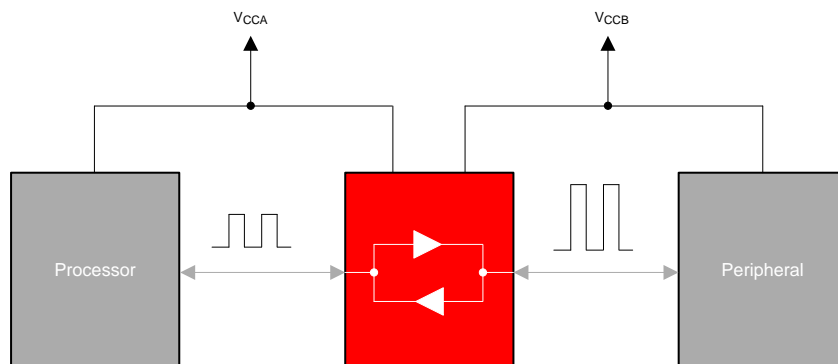
To ensure the high-impedance state during power-up or power-down, OE should be tied to GND through a pulldown resistor; the minimum value of the resistor is determined by the current-sourcing capability of the driver.

### Device Information<sup>(1)</sup>

| PART NUMBER | PACKAGE                   | BODY SIZE (NOM)   |
|-------------|---------------------------|-------------------|
| TXB0108     | TVSOP (20)                | 5.00 mm x 4.40 mm |
|             | SON (20)                  | 2.00 mm x 4.00 mm |
|             | BGA MICROSTAR JUNIOR (20) | 2.50 mm x 3.00 mm |
|             | TSSOP (20)                | 6.50 mm x 4.40 mm |
|             | VQFN (20)                 | 4.50 mm x 3.50 mm |
|             | DSGPA (20)                | 1.90 mm x 2.40 mm |

(1) For all available packages, see the orderable addendum at the end of the datasheet.

### Typical Application Block Diagram for TXB010X



## Table of Contents

|  |          |  |           |
|--|----------|--|-----------|
| <b>1 Features</b> .....  | <b>1</b> | <b>7 Parameter Measurement Information</b> .....                 | <b>11</b> |
| <b>2 Applications</b> .....  | <b>1</b> | <b>8 Detailed Description</b> .....                              | <b>12</b> |
| <b>3 Description</b> .....   | <b>1</b> | 8.1 Overview .....   | 12        |
| <b>4 Revision History</b> .....  | <b>2</b> | 8.2 Functional Block Diagram .....                               | 12        |
| <b>5 Pin Configuration and Functions</b> .....                                   | <b>3</b> | 8.3 Feature Description .....                                    | 13        |
| <b>6 Specifications</b> .....  | <b>5</b> | 8.4 Device Functional Modes .....                                | 14        |
| 6.1 Absolute Maximum Ratings .....   | 5        | <b>9 Application and Implementation</b> .....                    | <b>15</b> |
| 6.2 Handling Ratings .....   | 5        | 9.1 Application Information .....                                | 15        |
| 6.3 Recommended Operating Conditions .....                                       | 5        | 9.2 Typical Application .....                                    | 15        |
| 6.4 Thermal Information .....  | 6        | <b>10 Power Supply Recommendations</b> .....                     | <b>17</b> |
| 6.5 Electrical Characteristics .....   | 6        | <b>11 Layout</b> .....   | <b>17</b> |
| 6.6 Timing Requirements: $V_{CCA} = 1.2\text{ V}$ .....                          | 7        | 11.1 Layout Guidelines .....                                     | 17        |
| 6.7 Timing Requirements: $V_{CCA} = 1.5\text{ V} \pm 0.1\text{ V}$ .....         | 7        | 11.2 Layout Example .....  | 17        |
| 6.8 Timing Requirements: $V_{CCA} = 1.8\text{ V} \pm 0.15\text{ V}$ .....        | 7        | <b>12 Device and Documentation Support</b> .....                 | <b>18</b> |
| 6.9 Timing Requirements: $V_{CCA} = 2.5\text{ V} \pm 0.2\text{ V}$ .....         | 7        | 12.1 Receiving Notification of Documentation Updates .....       | 18        |
| 6.10 Timing Requirements: $V_{CCA} = 3.3\text{ V} \pm 0.3\text{ V}$ .....        | 7        | 12.2 Community Resources .....                                   | 18        |
| 6.11 Switching Characteristics: $V_{CCA} = 1.2\text{ V}$ .....                   | 8        | 12.3 Trademarks .....  | 18        |
| 6.12 Switching Characteristics: $V_{CCA} = 1.5\text{ V} \pm 0.1\text{ V}$ .....  | 8        | 12.4 Electrostatic Discharge Caution .....                       | 18        |
| 6.13 Switching Characteristics: $V_{CCA} = 1.8\text{ V} \pm 0.15\text{ V}$ ..... | 8        | 12.5 Glossary .....  | 18        |
| 6.14 Switching Characteristics: $V_{CCA} = 2.5\text{ V} \pm 0.2\text{ V}$ .....  | 9        | <b>13 Mechanical, Packaging, and Orderable Information</b> ..... | <b>18</b> |
| 6.15 Switching Characteristics: $V_{CCA} = 3.3\text{ V} \pm 0.3\text{ V}$ .....  | 9        | 13.1 Package Addendum .....                                      | 19        |
| 6.16 Operating Characteristics .....   | 9        |  |           |
| 6.17 Typical Characteristics .....   | 10       |  |           |

## 4 Revision History

NOTE: Page numbers for previous revisions may differ from page numbers in the current version.

| <b>Changes from Revision F (November 2014) to Revision G</b>  | <b>Page</b> |
|---|-------------|
| • Added pinout image for the ZYPR2 package option .....   | 3           |
| • Added text string 'GRID LOCATOR' to Pin Functions table YZP column to clarify pin location from 'Signal Name' ..... | 4           |

| <b>Changes from Revision E (April 2012) to Revision F</b>  | <b>Page</b> |
|--|-------------|
| • Added <i>Pin Configuration and Functions</i> section, <i>Handling Rating</i> table, <i>Feature Description</i> section, <i>Device Functional Modes</i> , <i>Application and Implementation</i> section, <i>Power Supply Recommendations</i> section, <i>Layout</i> section, <i>Device and Documentation Support</i> section, and <i>Mechanical, Packaging, and Orderable Information</i> section ..... | 1           |
| • Changed $V_{OLA}$ value 0.9 to 0.3 .....   | 6           |

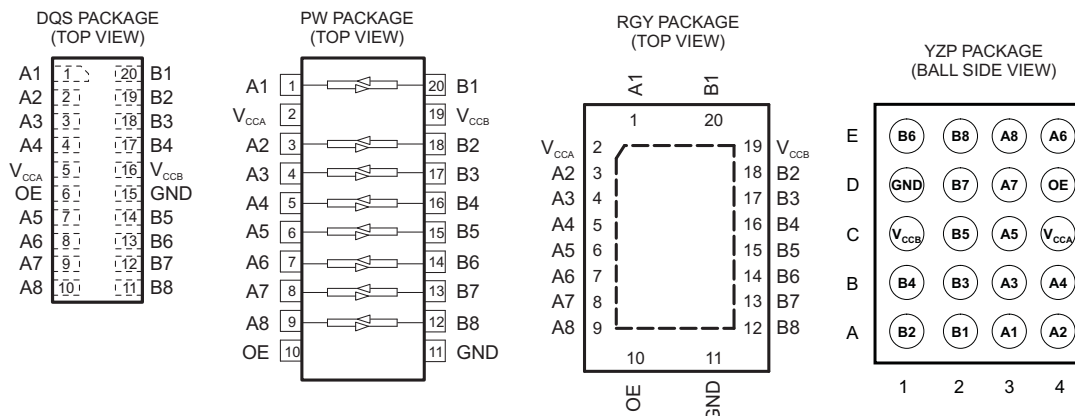
  

| <b>Changes from Revision D (September 2011) to Revision E</b> | <b>Page</b> |
|---|-------------|
| • Added notes to pin out graphics .....                       | 3           |

| <b>Changes from Revision C (August 2011) to Revision D</b>                               | <b>Page</b> |
|--|-------------|
| • Added $\pm 8\text{-kV}$ Human-Body Model (A114-B) (YZP Package Only) to Features ..... | 1           |

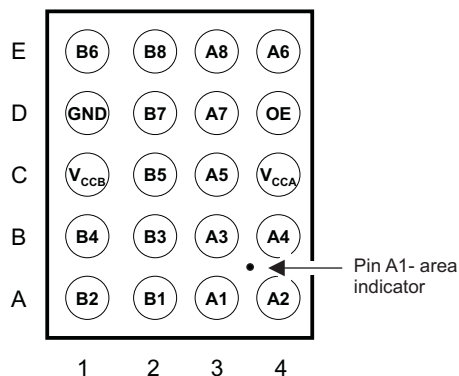
## 5 Pin Configuration and Functions



Note: For the RGY package, the exposed center thermal pad must be connected to ground.

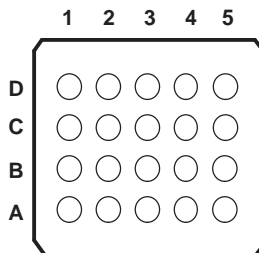
- A. Pullup resistors are not required on both sides for Logic I/O.
- B. If pullup or pulldown resistors are needed, the resistor value must be over 50 kΩ.
- C. 50 kΩ is a safe recommended value, if the customer can accept higher  $V_{OL}$  or lower  $V_{OH}$ , smaller pullup or pulldown resistor is allowed, the draft estimation is  $V_{OL} = V_{CCOUT} \times 4.5 \text{ k} / (4.5 \text{ k} + R_{PU})$  and  $V_{OH} = V_{CCOUT} \times R_{DW} / (4.5 \text{ k} + R_{DW})$ .
- D. If pullup resistors are needed, please refer to the TXS0108 or contact TI.
- E. For detailed information, please refer to application note [SCEA043](#).

YZPR2 PACKAGE<sup>(1)</sup>  
(BALL SIDE VIEW)



<sup>(1)</sup>See orderable addendum at the end of the data sheet

GXY OR ZXY PACKAGE  
(BOTTOM VIEW)



**Pin Functions**

| PIN         |             |         |                  | I/O <sup>(1)</sup> | FUNCTION  |
|-------------|-------------|---------|------------------|--------------------|---|
| SIGNAL NAME | PW, RGY NO. | DQS NO. | YZP GRID LOCATOR |                    |   |
| A1          | 1           | 1       | A3               | I/O                | Input/output 1. Referenced to $V_{CCA}$ .   |
| $V_{CCA}$   | 2           | 5       | C4               | S                  | A-port supply voltage. $1.1\text{ V} \leq V_{CCA} \leq 3.6\text{ V}$ , $V_{CCA} \leq V_{CCB}$ . |
| A2          | 3           | 2       | A4               | I/O                | Input/output 2. Referenced to $V_{CCA}$ .   |
| A3          | 4           | 3       | B3               | I/O                | Input/output 3. Referenced to $V_{CCA}$ .   |
| A4          | 5           | 4       | B4               | I/O                | Input/output 4. Referenced to $V_{CCA}$ .   |
| A5          | 6           | 7       | C3               | I/O                | Input/output 5. Referenced to $V_{CCA}$ .   |
| A6          | 7           | 8       | E4               | I/O                | Input/output 6. Referenced to $V_{CCA}$ .   |
| A7          | 8           | 9       | D3               | I/O                | Input/output 7. Referenced to $V_{CCA}$ .   |
| A8          | 9           | 10      | E3               | I/O                | Input/output 8. Referenced to $V_{CCA}$ .   |
| OE          | 10          | 6       | D4               | I                  | Output enable. Pull OE low to place all outputs in 3-state mode. Referenced to $V_{CCA}$ .      |
| GND         | 11          | 15      | D1               | S                  | Ground  |
| B8          | 12          | 11      | E2               | I/O                | Input/output 8. Referenced to $V_{CCB}$ .   |
| B7          | 13          | 12      | D2               | I/O                | Input/output 7. Referenced to $V_{CCB}$ .   |
| B6          | 14          | 13      | E1               | I/O                | Input/output 6. Referenced to $V_{CCB}$ .   |
| B5          | 15          | 14      | C2               | I/O                | Input/output 5. Referenced to $V_{CCB}$ .   |
| B4          | 16          | 17      | B1               | I/O                | Input/output 4. Referenced to $V_{CCB}$ .   |
| B3          | 17          | 18      | B2               | I/O                | Input/output 3. Referenced to $V_{CCB}$ .   |
| B2          | 18          | 19      | A1               | I/O                | Input/output 2. Referenced to $V_{CCB}$ .   |
| $V_{CCB}$   | 19          | 16      | C1               | S                  | B-port supply voltage. $1.65\text{ V} \leq V_{CCB} \leq 5.5\text{ V}$ .                         |
| B1          | 20          | 20      | A2               | I/O                | Input/output 1. Referenced to $V_{CCB}$ .   |
| Thermal Pad | —           |         |                  | —                  | For the RGY package, the exposed center thermal pad must be connected to ground.                |

(1) I = input, O = output, I/O = input and output, S = power supply

**Pin Assignments (20-Ball GXY/ZXY Package)**

|          | 1         | 2  | 3  | 4  | 5   |
|----------|-----------|----|----|----|-----|
| <b>D</b> | $V_{CCB}$ | B2 | B4 | B6 | B8  |
| <b>C</b> | B1        | B3 | B5 | B7 | GND |
| <b>B</b> | A1        | A3 | A5 | A7 | OE  |
| <b>A</b> | $V_{CCA}$ | A2 | A4 | A6 | A8  |

## 6 Specifications

### 6.1 Absolute Maximum Ratings<sup>(1)</sup>

over operating free-air temperature range (unless otherwise noted)

|                  |   | MIN                | MAX  | UNIT                   |   |
|------------------|---|--------------------|------|------------------------|---|
| V <sub>CCA</sub> | Supply voltage range  | -0.5               | 4.6  | V                      |   |
| V <sub>CCB</sub> | Supply voltage range  | -0.5               | 6.5  | V                      |   |
| V <sub>I</sub>   | Input voltage range <sup>(2)</sup>  | -0.5               | 6.5  | V                      |   |
| V <sub>O</sub>   | Voltage range applied to any output in the high-impedance or power-off state <sup>(2)</sup> | -0.5               | 6.5  | V                      |   |
| V <sub>O</sub>   | Voltage range applied to any output in the high or low state <sup>(2) (3)</sup>             | A inputs           | -0.5 | V <sub>CCA</sub> + 0.5 | V |
|                  |   | B inputs           | -0.5 | V <sub>CCB</sub> + 0.5 |   |
| I <sub>IK</sub>  | Input clamp current   | V <sub>I</sub> < 0 | -50  | mA                     |   |
| I <sub>OK</sub>  | Output clamp current  | V <sub>O</sub> < 0 | -50  | mA                     |   |
| I <sub>O</sub>   | Continuous output current   |                    | ±50  | mA                     |   |
|                  | Continuous current through V <sub>CCA</sub> , V <sub>CCB</sub> , or GND                     |                    | ±100 | mA                     |   |
| T <sub>stg</sub> | Storage temperature range   | -65                | 150  | °C                     |   |
| T <sub>J</sub>   | Junction temperature  |                    | 150  | °C                     |   |

- (1) Stresses beyond those listed under *Absolute Maximum Ratings* may cause permanent damage to the device. These are stress ratings only, and functional operation of the device at these or any other conditions beyond those indicated under *Recommended Operating Conditions* is not implied. Exposure to absolute-maximum-rated conditions for extended periods may affect device reliability.
- (2) The input and output negative-voltage ratings may be exceeded if the input and output current ratings are observed.
- (3) The value of V<sub>CCA</sub> and V<sub>CCB</sub> are provided in the recommended operating conditions table.

### 6.2 Handling Ratings

|                    |                         |  | MIN | MAX | UNIT |
|--------------------|-------------------------|--|-----|-----|------|
| V <sub>(ESD)</sub> | Electrostatic discharge | Human body model (HBM), per ANSI/ESDA/JEDEC JS-001, all pins <sup>(1)</sup> , A Port                                 |     | 2   | kV   |
|                    |                         | Human body model (HBM), per ANSI/ESDA/JEDEC JS-001, all pins <sup>(1)</sup> , B Port                                 | -15 | 15  |      |
|                    |                         | Charged device model (CDM), per JEDEC specification JESD22-C101, all pins <sup>(2)</sup> , A Port                    |     | 1   |      |
|                    |                         | Charged device model (CDM), per JEDEC specification JESD22-C101, all pins <sup>(2)</sup> , A Port (YZP Package only) | -8  | 8   |      |
|                    |                         | Charged device model (CDM), per JEDEC specification JESD22-C101, all pins <sup>(2)</sup> , B Port                    |     | 1   |      |

- (1) JEDEC document JEP155 states that 500-V HBM allows safe manufacturing with a standard ESD control process.
- (2) JEDEC document JEP157 states that 250-V CDM allows safe manufacturing with a standard ESD control process.

### 6.3 Recommended Operating Conditions

over operating free-air temperature range (unless otherwise noted)<sup>(1) (2)</sup>

|                  |                                    | V <sub>CCA</sub> | V <sub>CCB</sub> | MIN             | MAX                                    | UNIT                                   |      |
|------------------|------------------------------------|------------------|------------------|-----------------|--|--|------|
| V <sub>CCA</sub> | Supply voltage                     |                  |                  | 1.2             | 3.6                                    | V                                      |      |
| V <sub>CCB</sub> |                                    |                  |                  | 1.65            | 5.5                                    |  |      |
| V <sub>IH</sub>  | High-level input voltage           | Data inputs      | 1.2 V to 3.6 V   | 1.65 V to 5.5 V | V <sub>CCI</sub> × 0.65 <sup>(3)</sup> | V <sub>CCI</sub>                       | V    |
|                  |                                    | OE               |                  |                 | V <sub>CCA</sub> × 0.65                | 5.5                                    |      |
| V <sub>IL</sub>  | Low-level input voltage            | Data inputs      | 1.2 V to 5.5 V   | 1.65 V to 5.5 V | 0                                      | V <sub>CCI</sub> × 0.35 <sup>(3)</sup> | V    |
|                  |                                    | OE               |                  |                 | 1.2 V to 3.6 V                         | 0                                      |      |
| Δt/ΔV            | Input transition rise or fall rate | A-port inputs    | 1.2 V to 3.6 V   | 1.65 V to 5.5 V |  | 40                                     | ns/V |
|                  |                                    | B-port inputs    |                  | 1.65 V to 3.6 V |  | 40                                     |      |
|                  |                                    |                  |                  | 1.2 V to 3.6 V  | 4.5 V to 5.5 V                         |  |      |

- (1) The A and B sides of an unused data I/O pair must be held in the same state, i.e., both at V<sub>CCI</sub> or both at GND.
- (2) V<sub>CCA</sub> must be less than or equal to V<sub>CCB</sub> and must not exceed 3.6 V.
- (3) V<sub>CCI</sub> is the supply voltage associated with the input port.

## Recommended Operating Conditions (continued)

 over operating free-air temperature range (unless otherwise noted)<sup>(1) (2)</sup>

|                                      | $V_{CCA}$ | $V_{CCB}$ | MIN | MAX | UNIT |
|--------------------------------------|-----------|-----------|-----|-----|------|
| $T_A$ Operating free-air temperature |           |           | -40 | 85  | °C   |

## 6.4 Thermal Information

| THERMAL METRIC <sup>(1)</sup>  | TXB0108 |      |       |      |       |       | UNIT |
|--|---------|------|-------|------|-------|-------|------|
|  | PW      | RGY  | DQS   | YZP  | GXY   | ZXY   |      |
|  | 20 PINS |      |       |      |       |       |      |
| $R_{\theta JA}$ Junction-to-ambient thermal resistance               | 101.8   | 35.3 | 108.5 | 66.2 | 156.7 | 156.7 | °C/W |
| $R_{\theta JC(top)}$ Junction-to-case (top) thermal resistance       | 35.5    | 42.1 | 32.3  | 0.4  | 39.9  | 39.9  | °C/W |
| $R_{\theta JB}$ Junction-to-board thermal resistance                 | 52.8    | 11.1 | 42.4  | 52.0 | 85.9  | 85.9  | °C/W |
| $\Psi_{JT}$ Junction-to-top characterization parameter               | 2.2     | 0.7  | 0.7   | 1.5  | 1.1   | 1.1   | °C/W |
| $\Psi_{JB}$ Junction-to-board characterization parameter             | 52.2    | 11.2 | 42    | 51.9 | 85.4  | 85.4  | °C/W |
| $R_{\theta JC(bottom)}$ Junction-to-case (bottom) thermal resistance | –       | 3.8  | –     | –    | –     | –     | °C/W |

 (1) For more information about traditional and new thermal metrics, see the *IC Package Thermal Metrics* application report, [SPRA953](#).

## 6.5 Electrical Characteristics

 over recommended operating free-air temperature range (unless otherwise noted)<sup>(1)(2)</sup>

| PARAMETER           | TEST CONDITIONS   | $V_{CCA}$      | $V_{CCB}$       | $T_A = 25^\circ\text{C}$ |         |     | $-40^\circ\text{C to } 85^\circ\text{C}$ |         | UNIT          |               |
|---------------------|---|----------------|-----------------|--------------------------|---------|-----|--|---------|---------------|---------------|
|                     |   |                |                 | MIN                      | TYP     | MAX | MIN                                      | MAX     |               |               |
| $V_{OHA}$           | $I_{OH} = -20 \mu\text{A}$  | 1.2 V          |                 | 1.1                      |         |     | $V_{CCA} - 0.4$                          |         | V             |               |
|                     |   | 1.4 V to 3.6 V |                 |                          |         |     |  |         |               |               |
| $V_{OLA}$           | $I_{OL} = 20 \mu\text{A}$   | 1.2 V          |                 | 0.3                      |         |     | 0.4                                      |         | V             |               |
|                     |   | 1.4 V to 3.6 V |                 |                          |         |     |  |         |               |               |
| $V_{OHB}$           | $I_{OH} = -20 \mu\text{A}$  |                | 1.65 V to 5.5 V |                          |         |     | $V_{CCB} - 0.4$                          |         | V             |               |
| $V_{OLB}$           | $I_{OL} = 20 \mu\text{A}$   |                | 1.65 V to 5.5 V |                          |         |     | 0.4                                      |         | V             |               |
| $I_I$               | OE  | 1.2 V to 3.6 V | 1.65 V to 5.5 V | $\pm 1$                  |         |     | $\pm 2$                                  |         | $\mu\text{A}$ |               |
| $I_{off}$           | A port  | 0 V            | 0 V to 5.5 V    | $\pm 1$                  |         |     | $\pm 2$                                  |         | $\mu\text{A}$ |               |
|                     | B port  | 0 V to 3.6 V   | 0 V             | $\pm 1$                  |         |     | $\pm 2$                                  |         |               |               |
| $I_{OZ}$            | A or B port   | OE = GND       | 1.2 V to 3.6 V  | 1.65 V to 5.5 V          | $\pm 1$ |     |  | $\pm 2$ |               | $\mu\text{A}$ |
| $I_{CCA}$           | $V_I = V_{CCI} \text{ or GND, } I_O = 0$                          | 1.2 V          | 1.65 V to 5.5 V | 0.06                     |         |     | 5  |         | $\mu\text{A}$ |               |
|                     |   | 1.4 V to 3.6 V |                 |                          |         |     |  |         |               |               |
|                     |   | 3.6 V          | 0 V             |                          |         |     | 2  |         |               |               |
|                     |   | 0 V            | 5.5 V           |                          |         |     | -2                                       |         |               |               |
| $I_{CCB}$           | $V_I = V_{CCI} \text{ or GND, } I_O = 0$                          | 1.2 V          | 1.65 V to 5.5 V | 3.4                      |         |     | 5  |         | $\mu\text{A}$ |               |
|                     |   | 1.4 V to 3.6 V |                 |                          |         |     |  |         |               |               |
|                     |   | 3.6 V          | 0 V             |                          |         |     | -2                                       |         |               |               |
|                     |   | 0 V            | 5.5 V           |                          |         |     | 2  |         |               |               |
| $I_{CCA} + I_{CCB}$ | $V_I = V_{CCI} \text{ or GND, } I_O = 0$                          | 1.2 V          | 1.65 V to 5.5 V | 3.5                      |         |     | 10                                       |         | $\mu\text{A}$ |               |
|                     |   | 1.4 V to 3.6 V |                 |                          |         |     |  |         |               |               |
| $I_{CCZA}$          | $V_I = V_{CCI} \text{ or GND, } I_O = 0, \text{ OE} = \text{GND}$ | 1.2 V          | 1.65 V to 5.5 V | 0.05                     |         |     | 5  |         | $\mu\text{A}$ |               |
|                     |   | 1.4 V to 3.6 V |                 |                          |         |     |  |         |               |               |
| $I_{CCZB}$          | $V_I = V_{CCI} \text{ or GND, } I_O = 0, \text{ OE} = \text{GND}$ | 1.2 V          | 1.65 V to 5.5 V | 3.3                      |         |     | 5  |         | $\mu\text{A}$ |               |
|                     |   | 1.4 V to 3.6 V |                 |                          |         |     |  |         |               |               |

 (1)  $V_{CCI}$  is the supply voltage associated with the input port.

 (2)  $V_{CCO}$  is the supply voltage associated with the output port.

## Electrical Characteristics (continued)

over recommended operating free-air temperature range (unless otherwise noted)<sup>(1)(2)</sup>

| PARAMETER       |        | TEST CONDITIONS | V <sub>CCA</sub> | V <sub>CCB</sub> | T <sub>A</sub> = 25°C |     |     | –40°C to 85°C |     | UNIT |
|-----------------|--------|-----------------|------------------|------------------|-----------------------|-----|-----|---------------|-----|------|
|                 |        |                 |                  |                  | MIN                   | TYP | MAX | MIN           | MAX |      |
| C <sub>I</sub>  | OE     |                 | 1.2 V to 3.6 V   | 1.65 V to 5.5 V  | 5                     |     |     | 5.5           |     | pF   |
| C <sub>io</sub> | A port |                 | 1.2 V to 3.6 V   | 1.65 V to 5.5 V  | 5                     |     |     | 6.5           |     | pF   |
|                 | B port |                 |                  |                  | 8                     |     |     | 10            |     |      |

### 6.6 Timing Requirements: V<sub>CCA</sub> = 1.2 V

T<sub>A</sub> = 25°C, V<sub>CCA</sub> = 1.2 V

|                |                |             | V <sub>CCB</sub> = 1.8 V | V <sub>CCB</sub> = 2.5 V | V <sub>CCB</sub> = 3.3 V | V <sub>CCB</sub> = 5 V | UNIT |
|----------------|----------------|-------------|--------------------------|--------------------------|--------------------------|------------------------|------|
|                |                |             | TYP                      | TYP                      | TYP                      | TYP                    |      |
| Data rate      |                |             | 20                       | 20                       | 20                       | 20                     | Mbps |
| t <sub>w</sub> | Pulse duration | Data inputs | 50                       | 50                       | 50                       | 50                     | ns   |

### 6.7 Timing Requirements: V<sub>CCA</sub> = 1.5 V ± 0.1 V

over recommended operating free-air temperature range, V<sub>CCA</sub> = 1.5 V ± 0.1 V (unless otherwise noted)

|                |                |             | V <sub>CCB</sub> = 1.8 V ± 0.15 V |     | V <sub>CCB</sub> = 2.5 V ± 0.2 V |     | V <sub>CCB</sub> = 3.3 V ± 0.3 V |     | V <sub>CCB</sub> = 5 V ± 0.5 V |     | UNIT |
|----------------|----------------|-------------|-----------------------------------|-----|----------------------------------|-----|----------------------------------|-----|--------------------------------|-----|------|
|                |                |             | MIN                               | MAX | MIN                              | MAX | MIN                              | MAX | MIN                            | MAX |      |
| Data rate      |                |             | 50                                |     | 50                               |     | 50                               |     | 50                             |     | Mbps |
| t <sub>w</sub> | Pulse duration | Data inputs | 20                                |     | 20                               |     | 20                               |     | 20                             |     | ns   |

### 6.8 Timing Requirements: V<sub>CCA</sub> = 1.8 V ± 0.15 V

over recommended operating free-air temperature range, V<sub>CCA</sub> = 1.8 V ± 0.15 V (unless otherwise noted)

|                |                |             | V <sub>CCB</sub> = 1.8 V ± 0.15 V |     | V <sub>CCB</sub> = 2.5 V ± 0.2 V |     | V <sub>CCB</sub> = 3.3 V ± 0.3 V |     | V <sub>CCB</sub> = 5 V ± 0.5 V |     | UNIT |
|----------------|----------------|-------------|-----------------------------------|-----|----------------------------------|-----|----------------------------------|-----|--------------------------------|-----|------|
|                |                |             | MIN                               | MAX | MIN                              | MAX | MIN                              | MAX | MIN                            | MAX |      |
| Data rate      |                |             | 52                                |     | 60                               |     | 60                               |     | 60                             |     | Mbps |
| t <sub>w</sub> | Pulse duration | Data inputs | 19                                |     | 17                               |     | 17                               |     | 17                             |     | ns   |

### 6.9 Timing Requirements: V<sub>CCA</sub> = 2.5 V ± 0.2 V

over recommended operating free-air temperature range, V<sub>CCA</sub> = 2.5 V ± 0.2 V (unless otherwise noted)

|                |                |             | V <sub>CCB</sub> = 2.5 V ± 0.2 V |     | V <sub>CCB</sub> = 3.3 V ± 0.3 V |     | V <sub>CCB</sub> = 5 V ± 0.5 V |     | UNIT |
|----------------|----------------|-------------|----------------------------------|-----|----------------------------------|-----|--------------------------------|-----|------|
|                |                |             | MIN                              | MAX | MIN                              | MAX | MIN                            | MAX |      |
| Data rate      |                |             | 70                               |     | 100                              |     | 100                            |     | Mbps |
| t <sub>w</sub> | Pulse duration | Data inputs | 14                               |     | 10                               |     | 10                             |     | ns   |

### 6.10 Timing Requirements: V<sub>CCA</sub> = 3.3 V ± 0.3 V

over recommended operating free-air temperature range, V<sub>CCA</sub> = 3.3 V ± 0.3 V (unless otherwise noted)

|                |                |             | V <sub>CCB</sub> = 3.3 V ± 0.3 V |     | V <sub>CCB</sub> = 5 V ± 0.5 V |     | UNIT |
|----------------|----------------|-------------|----------------------------------|-----|--------------------------------|-----|------|
|                |                |             | MIN                              | MAX | MIN                            | MAX |      |
| Data rate      |                |             | 100                              |     | 100                            |     | Mbps |
| t <sub>w</sub> | Pulse duration | Data inputs | 10                               |     | 10                             |     | ns   |

### 6.11 Switching Characteristics: $V_{CCA} = 1.2\text{ V}$

 $T_A = 25^\circ\text{C}$ ,  $V_{CCA} = 1.2\text{ V}$ 

| PARAMETER           | FROM (INPUT)               | TO (OUTPUT) | $V_{CCB} = 1.8\text{ V}$ | $V_{CCB} = 2.5\text{ V}$ | $V_{CCB} = 3.3\text{ V}$ | $V_{CCB} = 5\text{ V}$ | UNIT          |
|---------------------|----------------------------|-------------|--------------------------|--------------------------|--------------------------|------------------------|---------------|
|                     |                            |             | TYP                      | TYP                      | TYP                      | TYP                    |               |
| $t_{pd}$            | A                          | B           | 9.5                      | 7.9                      | 7.6                      | 8.5                    | ns            |
|                     | B                          | A           | 9.2                      | 8.8                      | 8.4                      | 8                      |               |
| $t_{en}$            | OE                         | A           | 1                        | 1                        | 1                        | 1                      | $\mu\text{s}$ |
|                     |                            | B           | 1                        | 1                        | 1                        | 1                      |               |
| $t_{dis}$           | OE                         | A           | 20                       | 17                       | 17                       | 18                     | ns            |
|                     |                            | B           | 20                       | 16                       | 15                       | 15                     |               |
| $t_{rA}$ , $t_{fA}$ | A-port rise and fall times |             | 4.1                      | 4.4                      | 4.1                      | 3.9                    | ns            |
| $t_{rB}$ , $t_{fB}$ | B-port rise and fall times |             | 5                        | 5                        | 5.1                      | 5.1                    | ns            |
| $t_{SK(O)}$         | Channel-to-channel skew    |             | 2.4                      | 1.7                      | 1.9                      | 7                      | ns            |
| Max data rate       |                            |             | 20                       | 20                       | 20                       | 20                     | Mbps          |

### 6.12 Switching Characteristics: $V_{CCA} = 1.5\text{ V} \pm 0.1\text{ V}$

 over recommended operating free-air temperature range,  $V_{CCA} = 1.5\text{ V} \pm 0.1\text{ V}$  (unless otherwise noted)

| PARAMETER           | FROM (INPUT)               | TO (OUTPUT) | $V_{CCB} = 1.8\text{ V} \pm 0.15\text{ V}$ |      | $V_{CCB} = 2.5\text{ V} \pm 0.2\text{ V}$ |      | $V_{CCB} = 3.3\text{ V} \pm 0.3\text{ V}$ |      | $V_{CCB} = 5\text{ V} \pm 0.5\text{ V}$ |      | UNIT          |
|---------------------|----------------------------|-------------|--|------|---|------|---|------|---|------|---------------|
|                     |                            |             | MIN  | MAX  | MIN                                       | MAX  | MIN                                       | MAX  | MIN                                     | MAX  |               |
| $t_{pd}$            | A                          | B           | 1.4  | 12.9 | 1.2                                       | 10.1 | 1.1                                       | 10   | 0.8                                     | 9.9  | ns            |
|                     | B                          | A           | 0.9  | 14.2 | 0.7                                       | 12   | 0.4                                       | 11.7 | 0.3                                     | 13.7 |               |
| $t_{en}$            | OE                         | A           |  | 1    |   | 1    |   | 1    |   | 1    | $\mu\text{s}$ |
|                     |                            | B           |  | 1    |   | 1    |   | 1    |   | 1    |               |
| $t_{dis}$           | OE                         | A           | 6.6  | 33   | 6.4                                       | 25.3 | 6.1                                       | 23.1 | 5.9                                     | 24.6 | ns            |
|                     |                            | B           | 6.6  | 35.6 | 5.8                                       | 25.6 | 5.5                                       | 22.1 | 5.6                                     | 20.6 |               |
| $t_{rA}$ , $t_{fA}$ | A-port rise and fall times |             | 0.8  | 6.5  | 0.8                                       | 6.3  | 0.8                                       | 6.3  | 0.8                                     | 6.3  | ns            |
| $t_{rB}$ , $t_{fB}$ | B-port rise and fall times |             | 1  | 7.3  | 0.7                                       | 4.9  | 0.7                                       | 4.6  | 0.6                                     | 4.6  | ns            |
| $t_{SK(O)}$         | Channel-to-channel skew    |             |  | 2.6  |   | 1.9  |   | 1.6  |   | 1.3  | ns            |
| Max data rate       |                            |             |  | 50   |   | 50   |   | 50   |   | 50   | Mbps          |

### 6.13 Switching Characteristics: $V_{CCA} = 1.8\text{ V} \pm 0.15\text{ V}$

 over recommended operating free-air temperature range,  $V_{CCA} = 1.8\text{ V} \pm 0.15\text{ V}$  (unless otherwise noted)

| PARAMETER           | FROM (INPUT)               | TO (OUTPUT) | $V_{CCB} = 1.8\text{ V} \pm 0.15\text{ V}$ |      | $V_{CCB} = 2.5\text{ V} \pm 0.2\text{ V}$ |      | $V_{CCB} = 3.3\text{ V} \pm 0.3\text{ V}$ |      | $V_{CCB} = 5\text{ V} \pm 0.5\text{ V}$ |      | UNIT          |
|---------------------|----------------------------|-------------|--|------|---|------|---|------|---|------|---------------|
|                     |                            |             | MIN  | MAX  | MIN                                       | MAX  | MIN                                       | MAX  | MIN                                     | MAX  |               |
| $t_{pd}$            | A                          | B           | 1.6  | 11   | 1.4                                       | 7.7  | 1.3                                       | 6.8  | 1.2                                     | 6.5  | ns            |
|                     | B                          | A           | 1.5  | 12   | 1.2                                       | 8.4  | 0.8                                       | 7.6  | 0.5                                     | 7.1  |               |
| $t_{en}$            | OE                         | A           |  | 1    |   | 1    |   | 1    |   | 1    | $\mu\text{s}$ |
|                     |                            | B           |  | 1    |   | 1    |   | 1    |   | 1    |               |
| $t_{dis}$           | OE                         | A           | 5.9  | 26.7 | 5.6                                       | 21.6 | 5.4                                       | 18.9 | 4.8                                     | 18.7 | ns            |
|                     |                            | B           | 6.1  | 33.9 | 5.2                                       | 23.7 | 5   | 19.9 | 5                                       | 17.6 |               |
| $t_{rA}$ , $t_{fA}$ | A-port rise and fall times |             | 0.7  | 5.1  | 0.7                                       | 5    | 1   | 5    | 0.7                                     | 5    | ns            |
| $t_{rB}$ , $t_{fB}$ | B-port rise and fall times |             | 1  | 7.3  | 0.7                                       | 5    | 0.7                                       | 3.9  | 0.6                                     | 3.8  | ns            |
| $t_{SK(O)}$         | Channel-to-channel skew    |             |  | 0.8  |   | 0.7  |   | 0.6  |   | 0.6  | ns            |
| Max data rate       |                            |             |  | 52   |   | 60   |   | 60   |   | 60   | Mbps          |

### 6.14 Switching Characteristics: $V_{CCA} = 2.5 \text{ V} \pm 0.2 \text{ V}$

over recommended operating free-air temperature range,  $V_{CCA} = 2.5 \text{ V} \pm 0.2 \text{ V}$  (unless otherwise noted)

| PARAMETER        | FROM (INPUT)               | TO (OUTPUT) | $V_{CCB} = 2.5 \text{ V} \pm 0.2 \text{ V}$ |      | $V_{CCB} = 3.3 \text{ V} \pm 0.3 \text{ V}$ |      | $V_{CCB} = 5 \text{ V} \pm 0.5 \text{ V}$ |      | UNIT          |
|------------------|----------------------------|-------------|---|------|---|------|---|------|---------------|
|                  |                            |             | MIN   | MAX  | MIN   | MAX  | MIN                                       | MAX  |               |
| $t_{pd}$         | A                          | B           | 1.1   | 6.4  | 1   | 5.3  | 0.9                                       | 4.7  | ns            |
|                  | B                          | A           | 1   | 7    | 0.6   | 5.6  | 0.3                                       | 4.4  |               |
| $t_{en}$         | OE                         | A           | 1   |      | 1   |      | 1   |      | $\mu\text{s}$ |
|                  |                            | B           | 1   |      | 1   |      | 1   |      |               |
| $t_{dis}$        | OE                         | A           | 5   | 16.9 | 4.9   | 15   | 4.5                                       | 13.8 | ns            |
|                  |                            | B           | 4.8   | 21.8 | 4.5   | 17.9 | 4.4                                       | 15.2 |               |
| $t_{rA}, t_{fA}$ | A-port rise and fall times |             | 0.8   | 3.6  | 0.6   | 3.6  | 0.5                                       | 3.5  | ns            |
| $t_{rB}, t_{fB}$ | B-port rise and fall times |             | 0.6   | 4.9  | 0.7   | 3.9  | 0.6                                       | 3.2  | ns            |
| $t_{SK(O)}$      | Channel-to-channel skew    |             | 0.4   |      | 0.3   |      | 0.3                                       |      | ns            |
| Max data rate    |                            |             | 70  |      | 100   |      | 100                                       |      | Mbps          |

### 6.15 Switching Characteristics: $V_{CCA} = 3.3 \text{ V} \pm 0.3 \text{ V}$

over recommended operating free-air temperature range,  $V_{CCA} = 3.3 \text{ V} \pm 0.3 \text{ V}$  (unless otherwise noted)

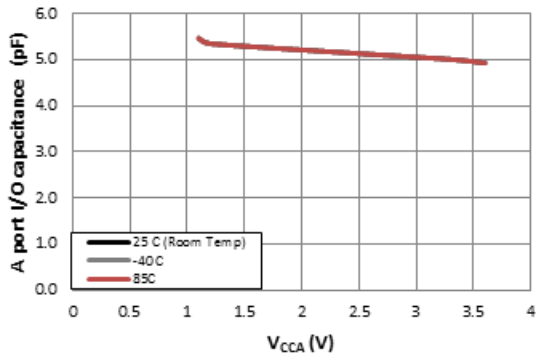
| PARAMETER        | FROM (INPUT)               | TO (OUTPUT) | $V_{CCB} = 3.3 \text{ V} \pm 0.3 \text{ V}$ |      | $V_{CCB} = 5 \text{ V} \pm 0.5 \text{ V}$ |      | UNIT          |
|------------------|----------------------------|-------------|---|------|---|------|---------------|
|                  |                            |             | MIN   | MAX  | MIN                                       | MAX  |               |
| $t_{pd}$         | A                          | B           | 0.9   | 4.9  | 0.8                                       | 4    | ns            |
|                  | B                          | A           | 0.5   | 5.4  | 0.2                                       | 4    |               |
| $t_{en}$         | OE                         | A           | 1   |      | 1   |      | $\mu\text{s}$ |
|                  |                            | B           | 1   |      | 1   |      |               |
| $t_{dis}$        | OE                         | A           | 4.5   | 13.9 | 4.1                                       | 12.4 | ns            |
|                  |                            | B           | 4.1   | 17.3 | 4   | 14.4 |               |
| $t_{rA}, t_{fA}$ | A-port rise and fall times |             | 0.5   | 3    | 0.5                                       | 3    | ns            |
| $t_{rB}, t_{fB}$ | B-port rise and fall times |             | 0.7   | 3.9  | 0.6                                       | 3.2  | ns            |
| $t_{SK(O)}$      | Channel-to-channel skew    |             | 0.4   |      | 0.3                                       |      | ns            |
| Max data rate    |                            |             | 100   |      | 100                                       |      | Mbps          |

### 6.16 Operating Characteristics

 $T_A = 25^\circ\text{C}$ 

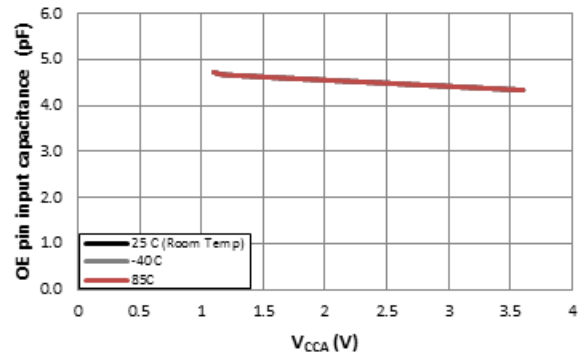
| PARAMETER | TEST CONDITIONS             | $V_{CCA}$  |       |       |       |       |       |              | UNIT |    |
|-----------|-----------------------------|--|-------|-------|-------|-------|-------|--------------|------|----|
|           |                             | 1.2 V  | 1.2 V | 1.5 V | 1.8 V | 2.5 V | 2.5 V | 3.3 V        |      |    |
|           |                             | $V_{CCB}$  |       |       |       |       |       |              |      |    |
|           |                             | 5 V  | 1.8 V | 1.8 V | 1.8 V | 2.5 V | 5 V   | 3.3 V to 5 V |      |    |
|           |                             | TYP  | TYP   | TYP   | TYP   | TYP   | TYP   | TYP          |      |    |
| $C_{pdA}$ | A-port input, B-port output | $C_L = 0, f = 10 \text{ MHz},$<br>$t_r = t_f = 1 \text{ ns},$<br>$OE = V_{CCA}$<br>(outputs enabled)     | 9     | 8     | 7     | 7     | 7     | 7            | 8    | pF |
|           | B-port input, A-port output |  | 12    | 11    | 11    | 11    | 11    | 11           | 11   |    |
| $C_{pdB}$ | A-port input, B-port output |  | 35    | 26    | 27    | 27    | 27    | 27           | 28   |    |
|           | B-port input, A-port output |  | 26    | 19    | 18    | 18    | 18    | 20           | 21   |    |
| $C_{pdA}$ | A-port input, B-port output | $C_L = 0, f = 10 \text{ MHz},$<br>$t_r = t_f = 1 \text{ ns},$<br>$OE = \text{GND}$<br>(outputs disabled) | 0.01  | 0.01  | 0.01  | 0.01  | 0.01  | 0.01         | 0.01 | pF |
|           | B-port input, A-port output |  | 0.01  | 0.01  | 0.01  | 0.01  | 0.01  | 0.01         | 0.01 |    |
| $C_{pdB}$ | A-port input, B-port output |  | 0.01  | 0.01  | 0.01  | 0.01  | 0.01  | 0.01         | 0.03 |    |
|           | B-port input, A-port output |  | 0.01  | 0.01  | 0.01  | 0.01  | 0.01  | 0.01         | 0.03 |    |

### 6.17 Typical Characteristics



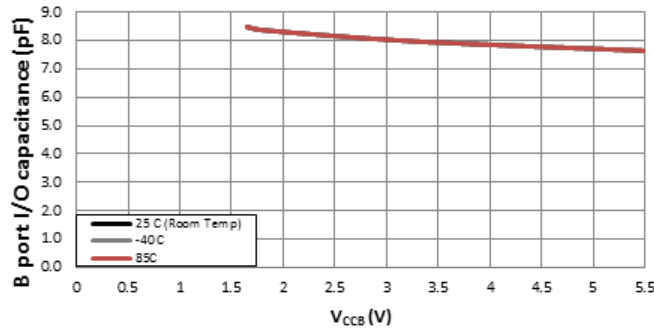
$V_{CCB} = 3.3\text{ V}$

Figure 1. Input Capacitance for OE Pin ( $C_i$ ) vs Power Supply ( $V_{CCA}$ )



$V_{CCB} = 3.3\text{ V}$

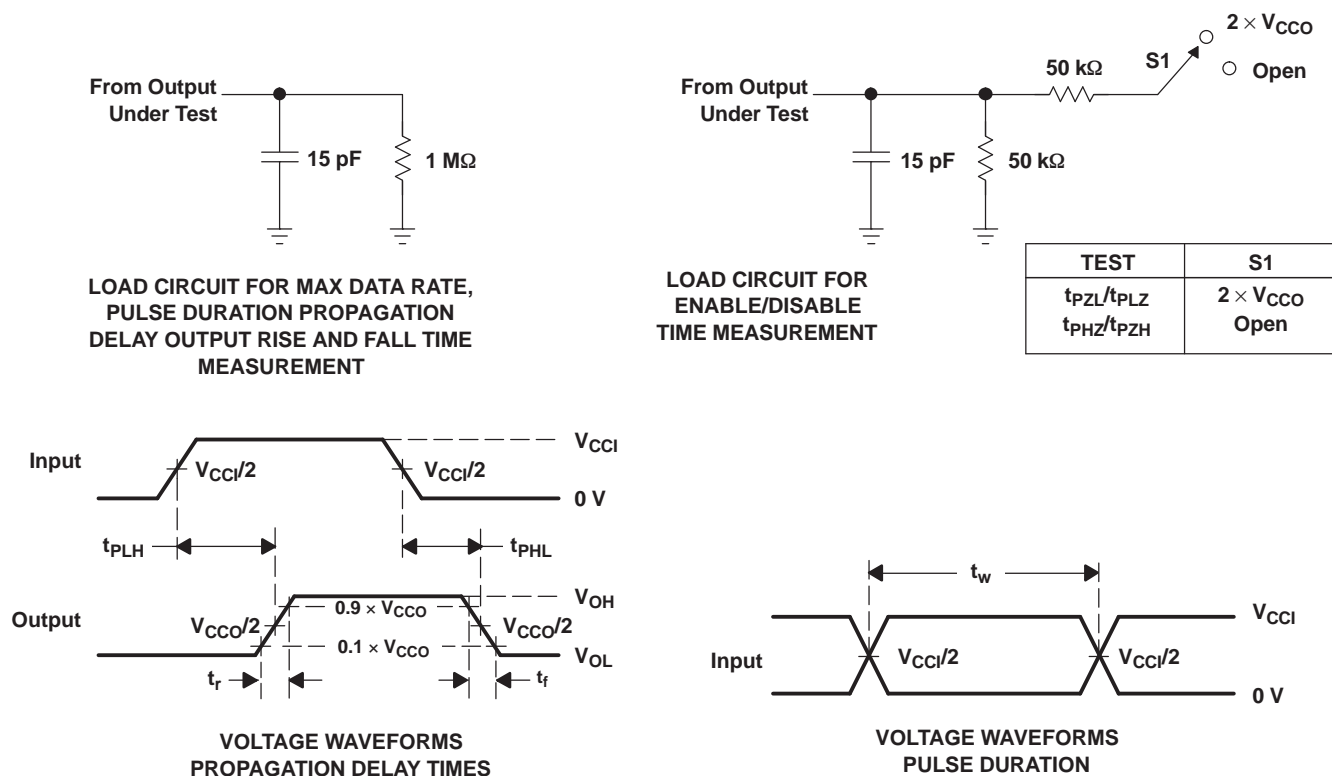
Figure 2. Capacitance for A Port I/O Pins ( $C_{IO}$ ) vs Power Supply ( $V_{CCA}$ )



$V_{CCA} = 1.8\text{ V}$

Figure 3. Capacitance for B Port I/O Pins ( $C_{IO}$ ) vs Power Supply ( $V_{CCB}$ )

## 7 Parameter Measurement Information



- A.  $C_L$  includes probe and jig capacitance.
- B. All input pulses are supplied by generators having the following characteristics:  $PRR \leq 10$  MHz,  $Z_O = 50 \Omega$ ,  $dv/dt \geq 1$  V/ns.
- C. The outputs are measured one at a time, with one transition per measurement.
- D.  $t_{PLH}$  and  $t_{PHL}$  are the same as  $t_{pd}$ .
- E.  $V_{CCI}$  is the  $V_{CC}$  associated with the input port.
- F.  $V_{CCO}$  is the  $V_{CC}$  associated with the output port.
- G. All parameters and waveforms are not applicable to all devices.

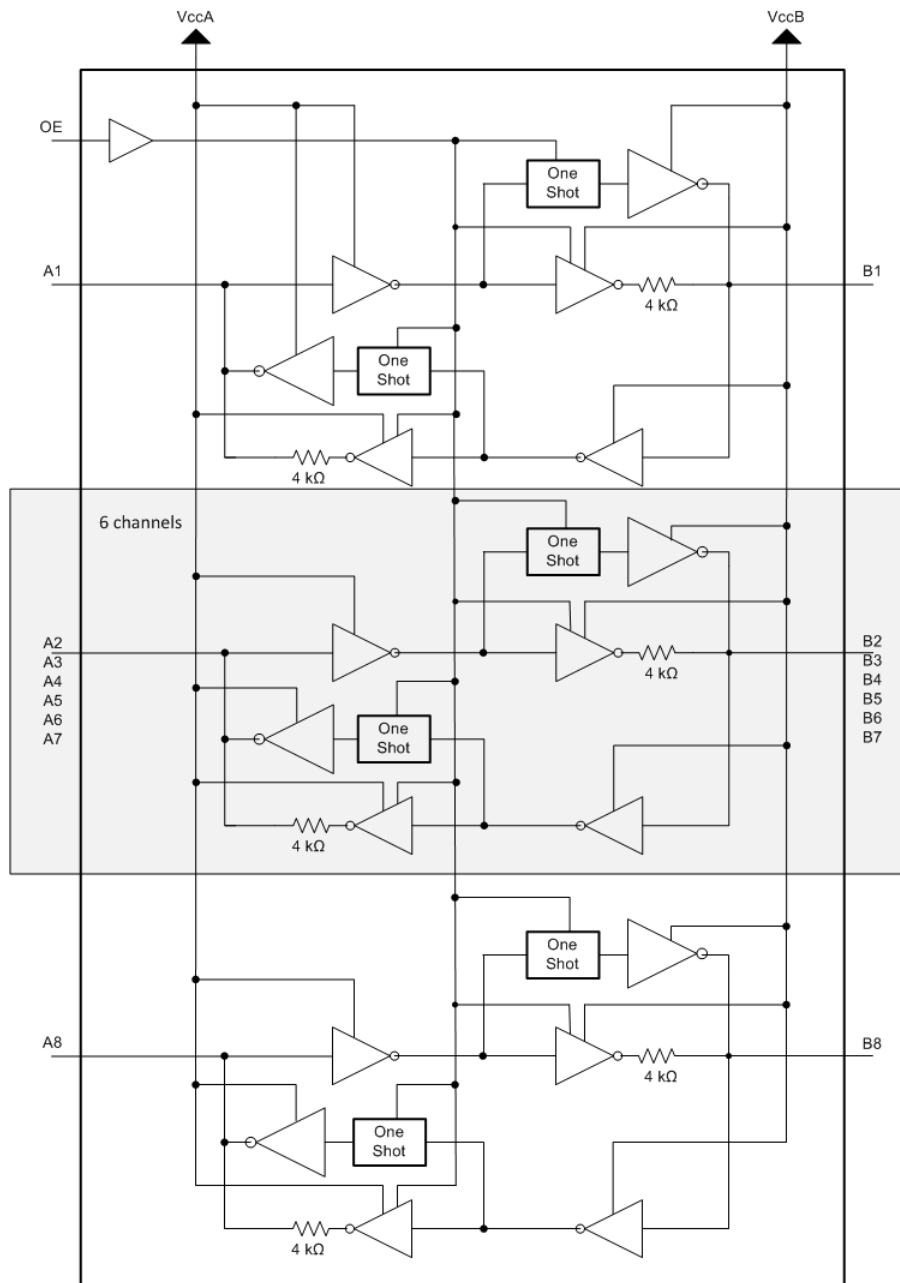
**Figure 4. Load Circuits and Voltage Waveforms**

## 8 Detailed Description

### 8.1 Overview

The TXB0108 device is an 8-bit, directionless voltage-level translator specifically designed for translating logic voltage levels. The A port is able to accept I/O voltages ranging from 1.2 V to 3.6 V, while the B port can accept I/O voltages from 1.65 V to 5.5 V. The device is a buffered architecture with edge-rate accelerators (one-shots) to improve the overall data rate. This device can only translate push-pull CMOS logic outputs. If for open-drain signal translation, please refer to TI [TXS](#) products.

### 8.2 Functional Block Diagram



### 8.3 Feature Description

#### 8.3.1 Architecture

The TXB0108 architecture (see Figure 5) does not require a direction-control signal to control the direction of data flow from A to B or from B to A. In a dc state, the output drivers of the TXB0108 can maintain a high or low, but are designed to be weak so that they can be overdriven by an external driver when data on the bus starts flowing the opposite direction. The output one-shots detect rising or falling edges on the A or B ports. During a rising edge, the one-shot turns on the PMOS transistors (T1, T3) for a short duration, which speeds up the low-to-high transition. Similarly, during a falling edge, the one-shot turns on the NMOS transistors (T2, T4) for a short duration, which speeds up the high-to-low transition. The typical output impedance during output transition is 70 Ω at VCCO = 1.2 V to 1.8 V, 50 Ω at VCCO = 1.8 V to 3.3 V and 40 Ω at VCCO = 3.3 V to 5 V.

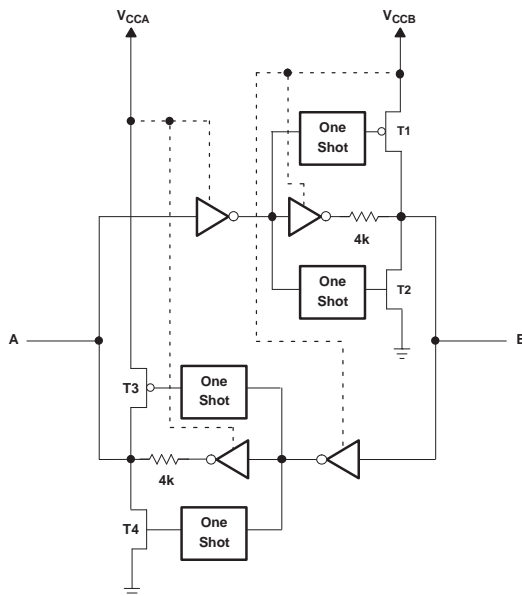
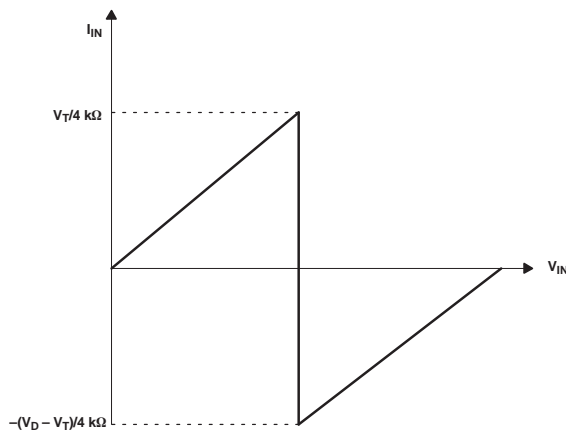


Figure 5. Architecture of TXB0108 I/O Cell

#### 8.3.2 Input Driver Requirements

Typical  $I_{IN}$  vs  $V_{IN}$  characteristics of the TXB0108 are shown in Figure 6. For proper operation, the device driving the data I/Os of the TXB0108 must have drive strength of at least  $\pm 2$  mA.



A.  $V_T$  is the input threshold voltage of the TXB0108 (typically  $V_{CC}/2$ ).  
B.  $V_D$  is the supply voltage of the external driver.

Figure 6. Typical  $I_{IN}$  vs  $V_{IN}$  Curve

## Feature Description (continued)

### 8.3.3 Output Load Considerations

TI recommends careful PCB layout practices with short PCB trace lengths to avoid excessive capacitive loading and to ensure that proper O.S. triggering takes place. PCB signal trace-lengths should be kept short enough such that the round-trip delay of any reflection is less than the one-shot duration. This improves signal integrity by ensuring that any reflection sees a low impedance at the driver. The O.S. circuits have been designed to stay on for approximately 10 ns. The maximum capacitance of the lumped load that can be driven also depends directly on the one-shot duration. With very heavy capacitive loads, the one-shot can time-out before the signal is driven fully to the positive rail. The O.S. duration has been set to best optimize trade-offs between dynamic ICC, load driving capability, and maximum bit-rate considerations. Both PCB trace length and connectors add to the capacitance that the TXB0108 output sees, so it is recommended that this lumped-load capacitance be considered to avoid O.S. re-triggering, bus contention, output signal oscillations, or other adverse system-level affects.

### 8.3.4 Enable and Disable

The TXB0108 has an OE input that is used to disable the device by setting OE = low, which places all I/Os in the high-impedance (Hi-Z) state. The disable time ( $t_{dis}$ ) indicates the delay between when OE goes low and when the outputs actually get disabled (Hi-Z). The enable time ( $t_{en}$ ) indicates the amount of time the user must allow for the one-shot circuitry to become operational after the OE is high.

### 8.3.5 Pullup or Pulldown Resistors on I/O Lines

The TXB0108 is designed to drive capacitive loads of up to 70 pF. The output drivers of the TXB0108 have low dc drive strength. If pullup or pulldown resistors are connected externally to the data I/Os, their values must be kept higher than 50 k $\Omega$  to ensure that they do not contend with the output drivers of the TXB0108. For the same reason, the TXB0108 should not be used in applications such as I2C or 1-Wire where an open-drain driver is connected on the bidirectional data I/O. For these applications, use a device from the TI TXS01xx series of level translators.

## 8.4 Device Functional Modes

The TXB0108 device has two functional modes, enabled and disabled. To disable the device, set the OE input low, which places all I/Os in a high impedance state. Setting the OE input high will enable the device.

## 9 Application and Implementation

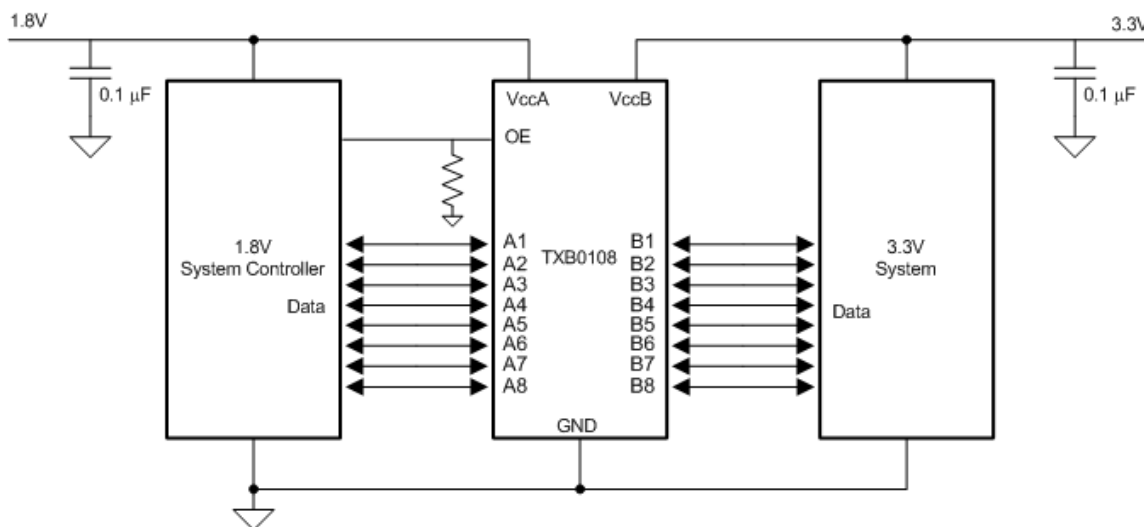
### NOTE

Information in the following applications sections is not part of the TI component specification, and TI does not warrant its accuracy or completeness. TI's customers are responsible for determining suitability of components for their purposes. Customers should validate and test their design implementation to confirm system functionality.

### 9.1 Application Information

The TXB0108 can be used in level-translation applications for interfacing devices or systems operating at different interface voltages with one another. It can only translate push-pull CMOS logic outputs. If for open-drain signal translation, please refer to TI TXS010X products. Any external pulldown or pullup resistors are recommended to be larger than 50kΩ.

### 9.2 Typical Application



**Figure 7. Typical Operating Circuit**

#### 9.2.1 Design Requirements

For this design example, use the parameters listed in [Table 1](#). Make sure the  $V_{CCA} \leq V_{CCB}$ .

**Table 1. Design Parameters**

| DESIGN PARAMETER     | EXAMPLE VALUE   |
|----------------------|-----------------|
| Input voltage range  | 1.2 V to 3.6 V  |
| Output voltage range | 1.65 V to 5.5 V |

#### 9.2.2 Detailed Design Procedure

To begin the design process, determine the following:

- Input voltage range
  - Use the supply voltage of the device that is driving the TXB0108 device to determine the input voltage range. For a valid logic high the value must exceed the  $V_{IH}$  of the input port. For a valid logic low, the value must be less than the  $V_{IL}$  of the input port.
- Output voltage range
  - Use the supply voltage of the device that the TXB0108 device is driving to determine the output voltage range.

- Do not recommend having the external pullup or pulldown resistors. If mandatory, it is recommended the value should be larger than 50 kΩ.

- An external pulldown or pullup resistor decreases the output  $V_{OH}$  and  $V_{OL}$ . Use the below equations to draft estimate the  $V_{OH}$  and  $V_{OL}$  as a result of an external pulldown and pullup resistor.

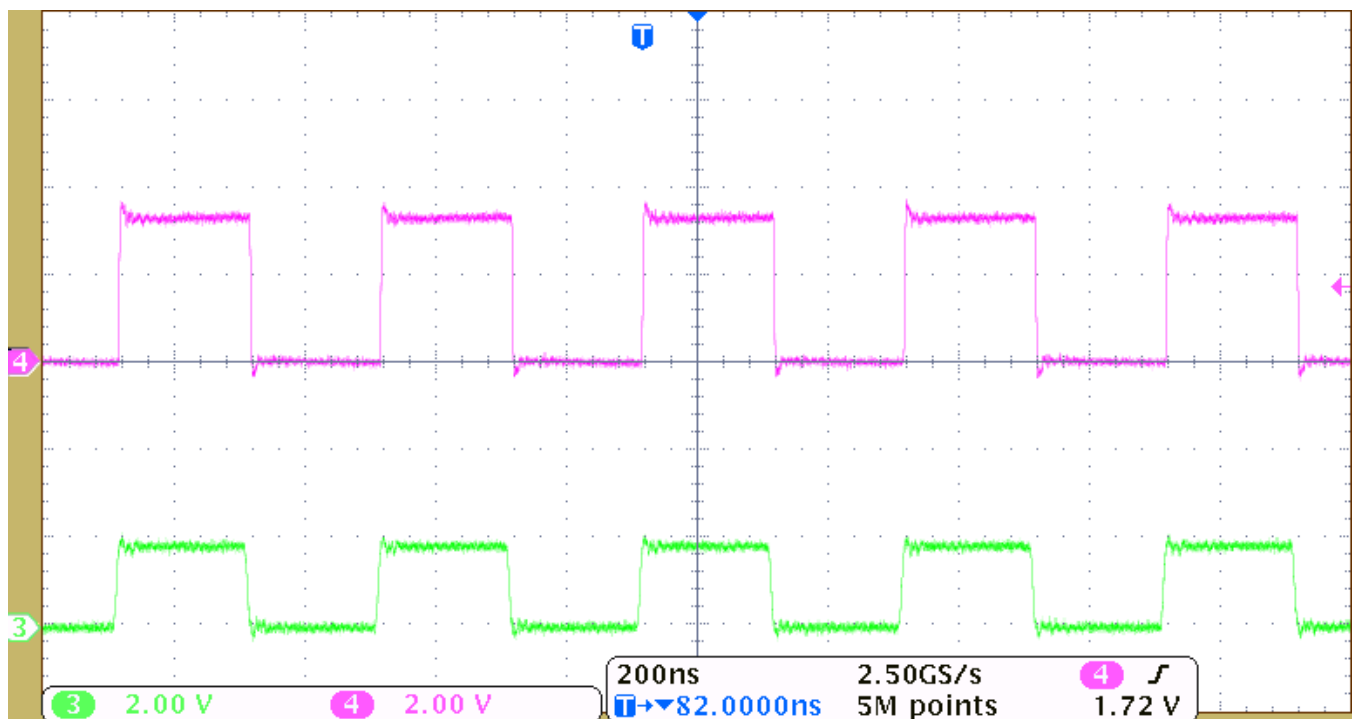
$$V_{OH} = V_{CCx} \times R_{PD} / (R_{PD} + 4.5 \text{ k}\Omega)$$

$$V_{OL} = V_{CCx} \times 4.5\text{k}\Omega / (R_{PU} + 4.5 \text{ k}\Omega)$$

Where:

- $V_{CCx}$  is the output port supply voltage on either VCCA or VCCB
- $R_{PD}$  is the value of the external pull down resistor
- $R_{PU}$  is the value of the external pull up resistor
- 4.5 kΩ is the counting the variation of the serial resistor 4 kΩ in the I/O line. Refer to the [Effects of external pullup and pulldown resistors on TXB](#) application note

### 9.2.3 Application Curves



**Figure 8. Level-Translation of a 2.5-MHz Signal**

## 10 Power Supply Recommendations

During operation, ensure that  $V_{CCA} \leq V_{CCB}$  at all times. During power-up sequencing,  $V_{CCA} \geq V_{CCB}$  does not damage the device, so any power supply can be ramped up first. The TXB0108 has circuitry that disables all output ports when either VCC is switched off ( $V_{CCAB} = 0$  V).

The output-enable (OE) input circuit is designed so that it is supplied by  $V_{CCA}$  and when the (OE) input is low, all outputs are placed in the high-impedance state. To ensure the high-impedance state of the outputs during power-up or power-down, the OE input pin must be tied to GND through a pulldown resistor and must not be enabled until  $V_{CCA}$  and  $V_{CCB}$  are fully ramped and stable. The minimum value of the pulldown resistor to ground is determined by the current-sourcing capability of the driver.

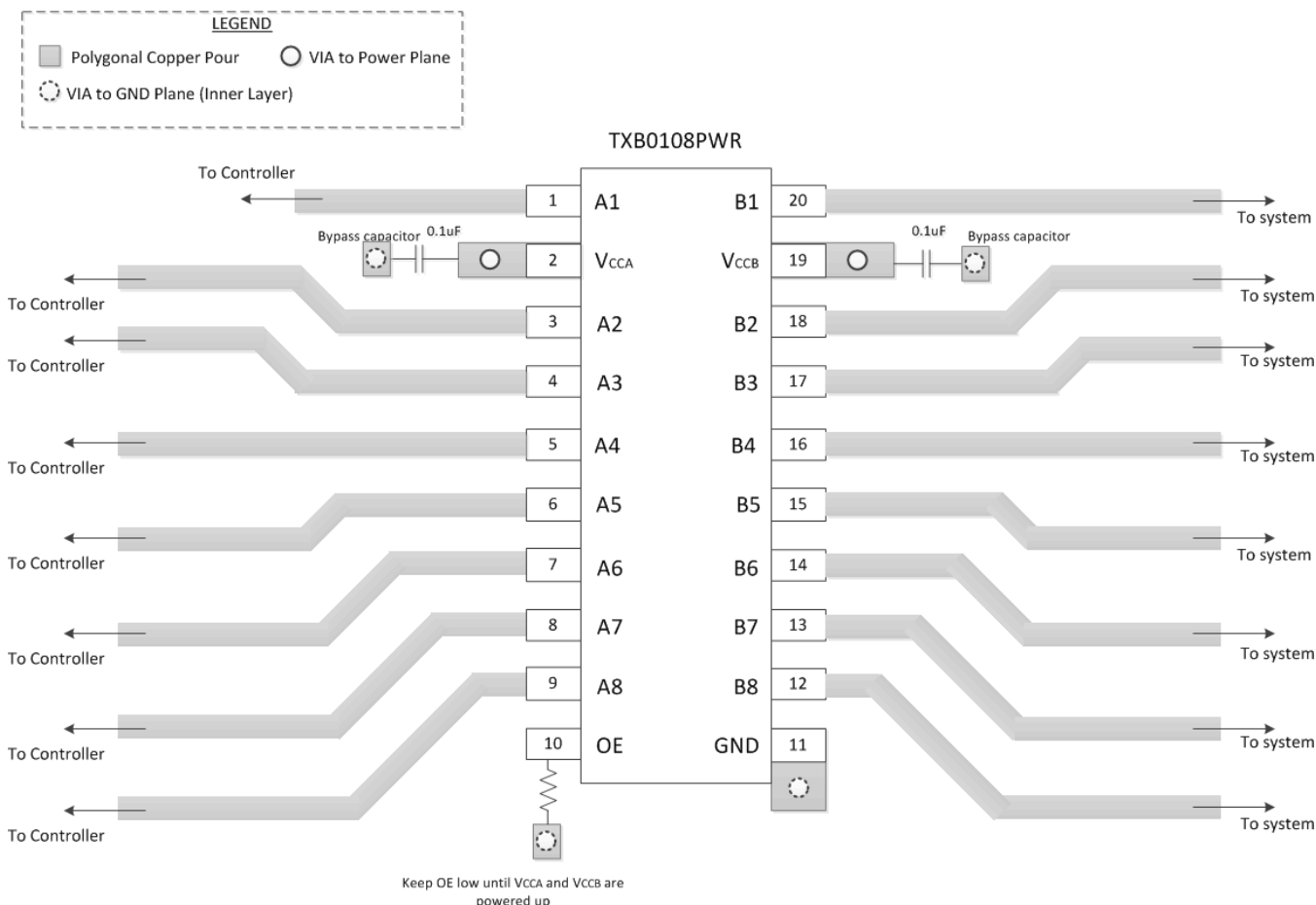
## 11 Layout

### 11.1 Layout Guidelines

To ensure reliability of the device, the following common printed-circuit board layout guidelines is recommended.

- Bypass capacitors should be used on power supplies and should be placed as close as possible to the  $V_{CCA}$ ,  $V_{CCB}$  pin and GND pin.
- Short trace lengths should be used to avoid excessive loading.
- PCB signal trace-lengths must be kept short enough so that the round-trip delay of any reflection is less than the one-shot duration, approximately 10 ns, ensuring that any reflection encounters low impedance at the source driver.

### 11.2 Layout Example



## 12 Device and Documentation Support

### 12.1 Receiving Notification of Documentation Updates

To receive notification of documentation updates, navigate to the device product folder on ti.com. In the upper right corner, click on *Alert me* to register and receive a weekly digest of any product information that has changed. For change details, review the revision history included in any revised document.

### 12.2 Community Resources

The following links connect to TI community resources. Linked contents are provided "AS IS" by the respective contributors. They do not constitute TI specifications and do not necessarily reflect TI's views; see TI's [Terms of Use](#).

**TI E2E™ Online Community** *TI's Engineer-to-Engineer (E2E) Community*. Created to foster collaboration among engineers. At e2e.ti.com, you can ask questions, share knowledge, explore ideas and help solve problems with fellow engineers.

**Design Support** *TI's Design Support* Quickly find helpful E2E forums along with design support tools and contact information for technical support.

### 12.3 Trademarks

E2E is a trademark of Texas Instruments.  
All other trademarks are the property of their respective owners.

### 12.4 Electrostatic Discharge Caution



This integrated circuit can be damaged by ESD. Texas Instruments recommends that all integrated circuits be handled with appropriate precautions. Failure to observe proper handling and installation procedures can cause damage.

ESD damage can range from subtle performance degradation to complete device failure. Precision integrated circuits may be more susceptible to damage because very small parametric changes could cause the device not to meet its published specifications.

### 12.5 Glossary

[SLYZ022](#) — *TI Glossary*.

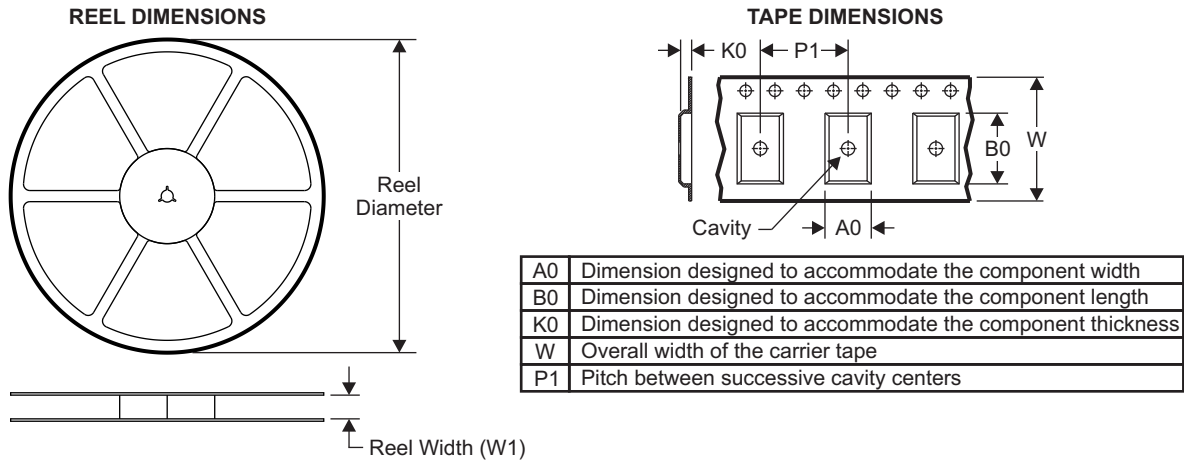
This glossary lists and explains terms, acronyms, and definitions.

## 13 Mechanical, Packaging, and Orderable Information

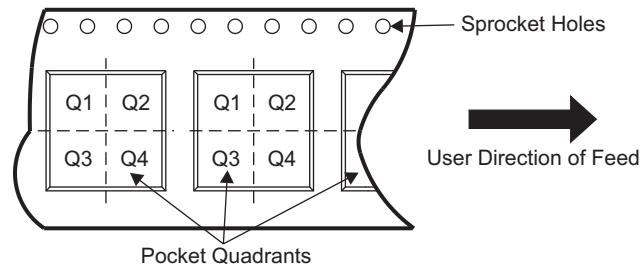
The following pages include mechanical, packaging, and orderable information. This information is the most current data available for the designated devices. This data is subject to change without notice and revision of this document. For browser-based versions of this data sheet, refer to the left-hand navigation.

## 13.1 Package Addendum

### 13.1.1 Tape and Reel Information



#### QUADRANT ASSIGNMENTS FOR PIN 1 ORIENTATION IN TAPE

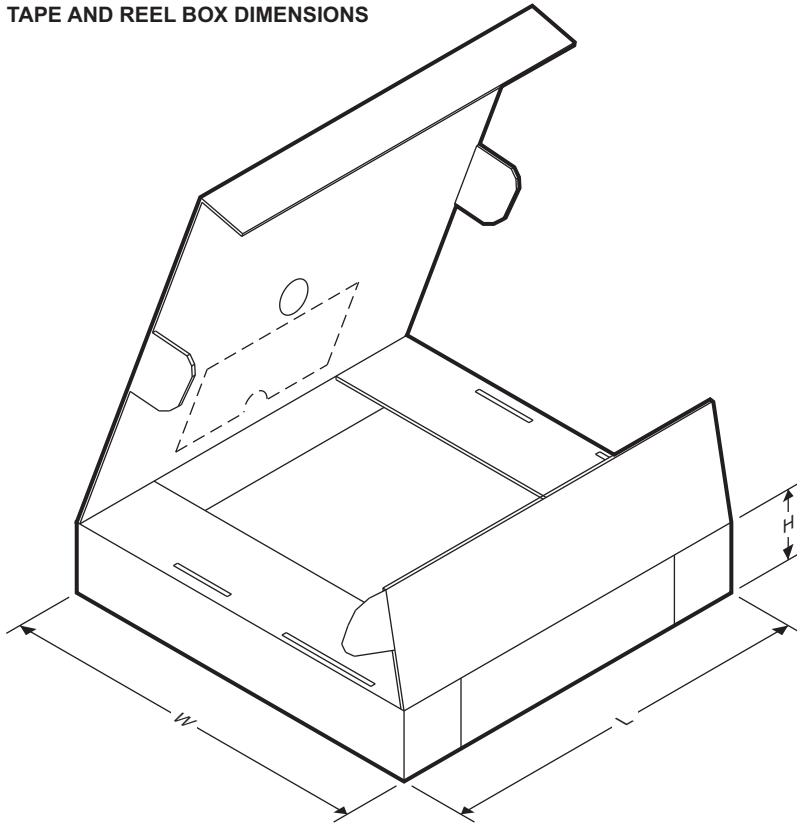


\*All dimensions are nominal

| Device       | Package Type         | Package Drawing | Pins | SPQ  | Reel Diameter (mm) | Reel Width W1 (mm) | A0 (mm) | B0 (mm) | K0 (mm) | P1 (mm) | W (mm) | Pin1 Quadrant |
|--------------|----------------------|-----------------|------|------|--------------------|--------------------|---------|---------|---------|---------|--------|---------------|
| TXB0108DQSR  | USON                 | DQS             | 20   | 3000 | 177.8              | 12.4               | 2.21    | 4.22    | 0.81    | 4.0     | 12.0   | Q1            |
| TXB0108RGYR  | VQFN                 | RGY             | 20   | 3000 | 330.0              | 12.4               | 3.8     | 4.8     | 1.6     | 8.0     | 12.0   | Q1            |
| TXB0108YZPR  | DSBGA                | YZP             | 20   | 3000 | 180.0              | 8.4                | 1.99    | 2.49    | 0.56    | 4.0     | 8.0    | Q1            |
| TXB0108YZPR2 | DSBGA                | YZP             | 20   | 3000 | 180.0              | 8.4                | 1.99    | 2.49    | 0.56    | 4.0     | 8.0    | Q2            |
| TXB0108ZXYR  | BGA MICROSTAR JUNIOR | ZXY             | 20   | 2500 | 330.0              | 12.4               | 2.8     | 4.22    | 3.3     | 1.0     | 12.0   | Q2            |

**TXB0108**

SCES643G –NOVEMBER 2006–REVISED DECEMBER 2018

[www.ti.com](http://www.ti.com)
**TAPE AND REEL BOX DIMENSIONS**


| Device       | Package Type               | Package Drawing | Pins | SPQ  | Length (mm) | Width (mm) | Height (mm) |
|--------------|----------------------------|-----------------|------|------|-------------|------------|-------------|
| TXB0108DQSR  | USON                       | DQS             | 20   | 3000 | 202.0       | 201.0      | 28.0        |
| TXB0108RGYR  | VQFN                       | RGY             | 20   | 3000 | 355.0       | 350.0      | 50.0        |
| TXB0108YZPR  | DSBGA                      | YZP             | 20   | 3000 | 182.0       | 182.0      | 20.0        |
| TXB0108YZPR2 | DSBGA                      | YZP             | 20   | 3000 | 182.0       | 182.0      | 20.0        |
| TXB0108ZXYR  | BGA<br>MICROSTAR<br>JUNIOR | ZXY             | 20   | 2500 | 336.6       | 336.6      | 28.6        |

**PACKAGING INFORMATION**

| Orderable Device | Status<br>(1) | Package Type               | Package Drawing | Pins | Package Qty | Eco Plan<br>(2)         | Lead/Ball Finish<br>(6) | MSL Peak Temp<br>(3) | Op Temp (°C) | Device Marking<br>(4/5) | Samples                 |
|------------------|---------------|----------------------------|-----------------|------|-------------|-------------------------|-------------------------|----------------------|--------------|-------------------------|-------------------------|
| TXB0108DQSR      | ACTIVE        | USON                       | DQS             | 20   | 3000        | Green (RoHS & no Sb/Br) | CU NIPDAUAG             | Level-1-260C-UNLIM   | -40 to 85    | 5MR<br>5MH              | <a href="#">Samples</a> |
| TXB0108PWR       | ACTIVE        | TSSOP                      | PW              | 20   | 2000        | Green (RoHS & no Sb/Br) | CU NIPDAU               | Level-1-260C-UNLIM   | -40 to 85    | YE08                    | <a href="#">Samples</a> |
| TXB0108PWRG4     | ACTIVE        | TSSOP                      | PW              | 20   | 2000        | Green (RoHS & no Sb/Br) | CU NIPDAU               | Level-1-260C-UNLIM   | -40 to 85    | YE08                    | <a href="#">Samples</a> |
| TXB0108RGYR      | ACTIVE        | VQFN                       | RGY             | 20   | 3000        | Green (RoHS & no Sb/Br) | CU NIPDAU               | Level-2-260C-1 YEAR  | -40 to 85    | YE08                    | <a href="#">Samples</a> |
| TXB0108YZPR      | ACTIVE        | DSBGA                      | YZP             | 20   | 3000        | Green (RoHS & no Sb/Br) | SNAGCU                  | Level-1-260C-UNLIM   | -40 to 85    | 5M                      | <a href="#">Samples</a> |
| TXB0108YZPR2     | ACTIVE        | DSBGA                      | YZP             | 20   | 3000        | Green (RoHS & no Sb/Br) | SNAGCU                  | Level-1-260C-UNLIM   | -40 to 85    | EK                      | <a href="#">Samples</a> |
| TXB0108ZXYP      | ACTIVE        | BGA<br>MICROSTAR<br>JUNIOR | ZXY             | 20   | 2500        | Green (RoHS & no Sb/Br) | SNAGCU                  | Level-1-260C-UNLIM   | -40 to 85    | YE08                    | <a href="#">Samples</a> |

(1) The marketing status values are defined as follows:

**ACTIVE:** Product device recommended for new designs.

**LIFEBUY:** TI has announced that the device will be discontinued, and a lifetime-buy period is in effect.

**NRND:** Not recommended for new designs. Device is in production to support existing customers, but TI does not recommend using this part in a new design.

**PREVIEW:** Device has been announced but is not in production. Samples may or may not be available.

**OBSOLETE:** TI has discontinued the production of the device.

(2) **RoHS:** TI defines "RoHS" to mean semiconductor products that are compliant with the current EU RoHS requirements for all 10 RoHS substances, including the requirement that RoHS substance do not exceed 0.1% by weight in homogeneous materials. Where designed to be soldered at high temperatures, "RoHS" products are suitable for use in specified lead-free processes. TI may reference these types of products as "Pb-Free".

**RoHS Exempt:** TI defines "RoHS Exempt" to mean products that contain lead but are compliant with EU RoHS pursuant to a specific EU RoHS exemption.

**Green:** TI defines "Green" to mean the content of Chlorine (Cl) and Bromine (Br) based flame retardants meet JS709B low halogen requirements of <=1000ppm threshold. Antimony trioxide based flame retardants must also meet the <=1000ppm threshold requirement.

(3) MSL, Peak Temp. - The Moisture Sensitivity Level rating according to the JEDEC industry standard classifications, and peak solder temperature.

(4) There may be additional marking, which relates to the logo, the lot trace code information, or the environmental category on the device.

<sup>(5)</sup> Multiple Device Markings will be inside parentheses. Only one Device Marking contained in parentheses and separated by a "-" will appear on a device. If a line is indented then it is a continuation of the previous line and the two combined represent the entire Device Marking for that device.

<sup>(6)</sup> Lead/Ball Finish - Orderable Devices may have multiple material finish options. Finish options are separated by a vertical ruled line. Lead/Ball Finish values may wrap to two lines if the finish value exceeds the maximum column width.

**Important Information and Disclaimer:**The information provided on this page represents TI's knowledge and belief as of the date that it is provided. TI bases its knowledge and belief on information provided by third parties, and makes no representation or warranty as to the accuracy of such information. Efforts are underway to better integrate information from third parties. TI has taken and continues to take reasonable steps to provide representative and accurate information but may not have conducted destructive testing or chemical analysis on incoming materials and chemicals. TI and TI suppliers consider certain information to be proprietary, and thus CAS numbers and other limited information may not be available for release.

In no event shall TI's liability arising out of such information exceed the total purchase price of the TI part(s) at issue in this document sold by TI to Customer on an annual basis.

**TAPE AND REEL INFORMATION**

**QUADRANT ASSIGNMENTS FOR PIN 1 ORIENTATION IN TAPE**

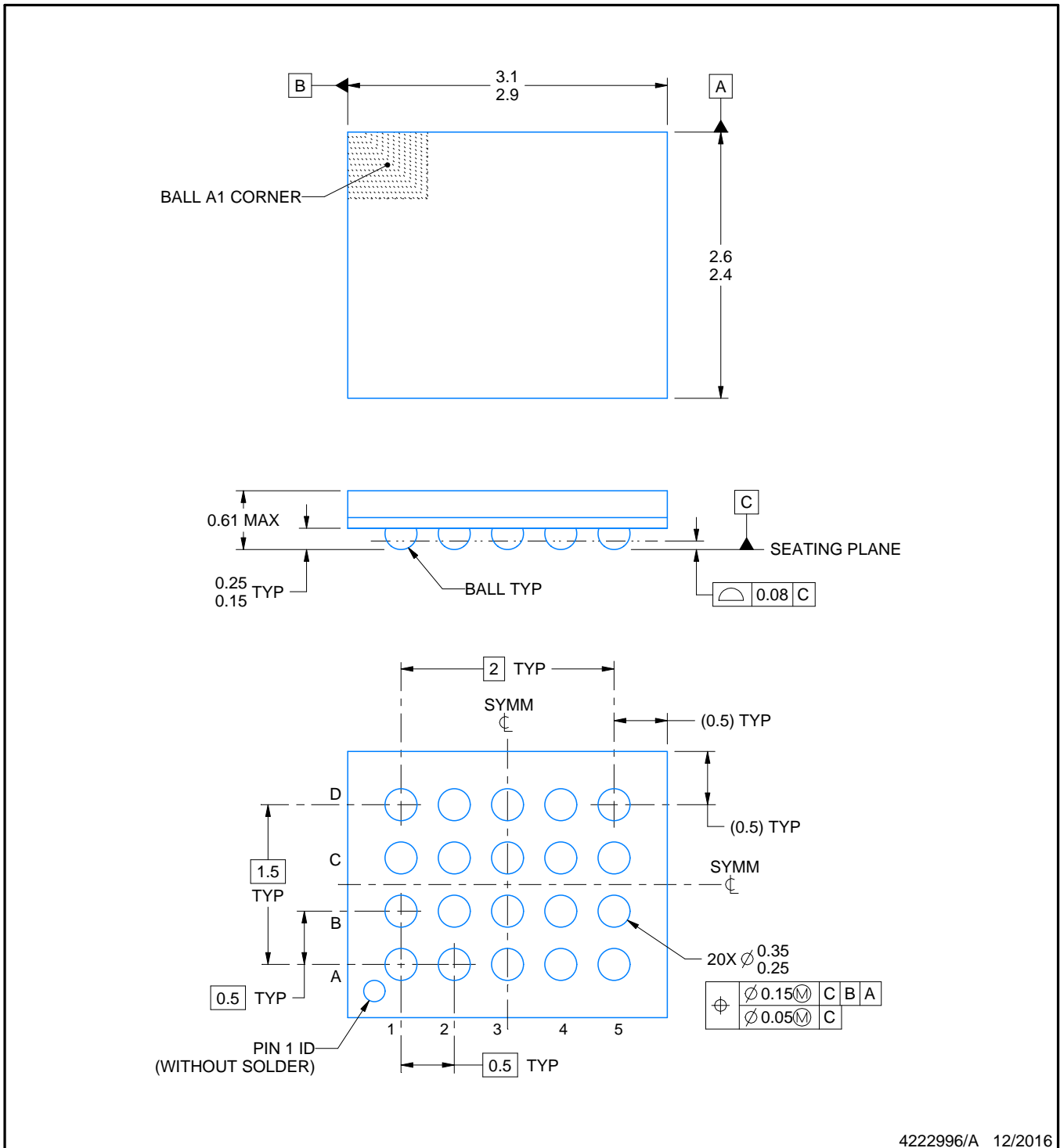
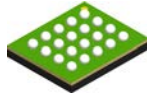

\*All dimensions are nominal

| Device       | Package Type         | Package Drawing | Pins | SPQ  | Reel Diameter (mm) | Reel Width W1 (mm) | A0 (mm) | B0 (mm) | K0 (mm) | P1 (mm) | W (mm) | Pin1 Quadrant |
|--------------|----------------------|-----------------|------|------|--------------------|--------------------|---------|---------|---------|---------|--------|---------------|
| TXB0108DQSR  | USON                 | DQS             | 20   | 3000 | 177.8              | 12.4               | 2.21    | 4.22    | 0.81    | 4.0     | 12.0   | Q1            |
| TXB0108RGYR  | VQFN                 | RGY             | 20   | 3000 | 330.0              | 12.4               | 3.8     | 4.8     | 1.6     | 8.0     | 12.0   | Q1            |
| TXB0108YZPR  | DSBGA                | YZP             | 20   | 3000 | 180.0              | 8.4                | 1.99    | 2.49    | 0.56    | 4.0     | 8.0    | Q1            |
| TXB0108YZPR2 | DSBGA                | YZP             | 20   | 3000 | 180.0              | 8.4                | 1.99    | 2.49    | 0.56    | 4.0     | 8.0    | Q2            |
| TXB0108ZXYR  | BGA MICROSTAR JUNIOR | ZXY             | 20   | 2500 | 330.0              | 12.4               | 2.8     | 3.3     | 1.0     | 4.0     | 12.0   | Q2            |

**TAPE AND REEL BOX DIMENSIONS**


\*All dimensions are nominal

| Device       | Package Type         | Package Drawing | Pins | SPQ  | Length (mm) | Width (mm) | Height (mm) |
|--------------|----------------------|-----------------|------|------|-------------|------------|-------------|
| TXB0108DQSR  | USON                 | DQS             | 20   | 3000 | 202.0       | 201.0      | 28.0        |
| TXB0108RGYR  | VQFN                 | RGY             | 20   | 3000 | 367.0       | 367.0      | 35.0        |
| TXB0108YZPR  | DSBGA                | YZP             | 20   | 3000 | 182.0       | 182.0      | 20.0        |
| TXB0108YZPR2 | DSBGA                | YZP             | 20   | 3000 | 182.0       | 182.0      | 20.0        |
| TXB0108ZXYS  | BGA MICROSTAR JUNIOR | ZXY             | 20   | 2500 | 350.0       | 350.0      | 43.0        |



4222996/A 12/2016

NOTES:

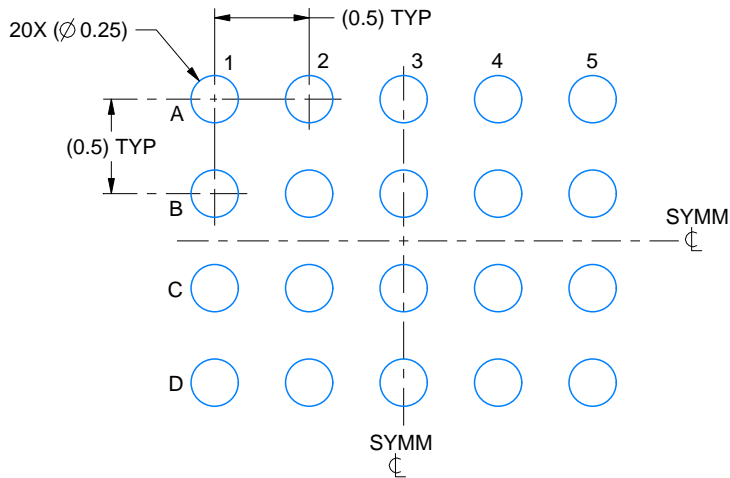
1. All linear dimensions are in millimeters. Any dimensions in parenthesis are for reference only. Dimensioning and tolerancing per ASME Y14.5M.
2. This drawing is subject to change without notice.

# EXAMPLE BOARD LAYOUT

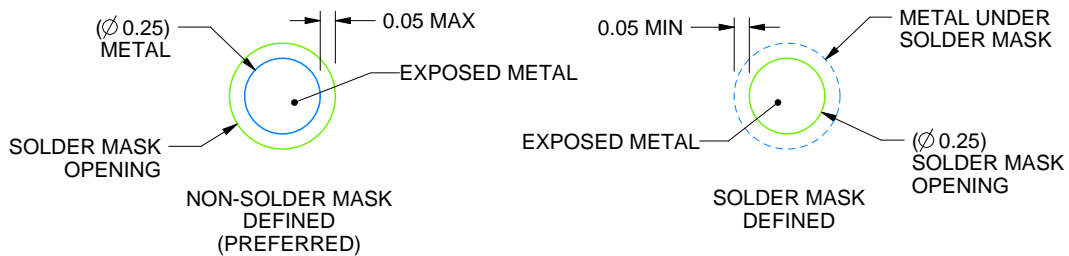
ZXY0020A

VFBGA - 0.61 mm max height

PLASTIC BALL GRID ARRAY



LAND PATTERN EXAMPLE  
EXPOSED METAL SHOWN  
SCALE:25X



SOLDER MASK DETAILS  
NOT TO SCALE

4222996/A 12/2016

NOTES: (continued)

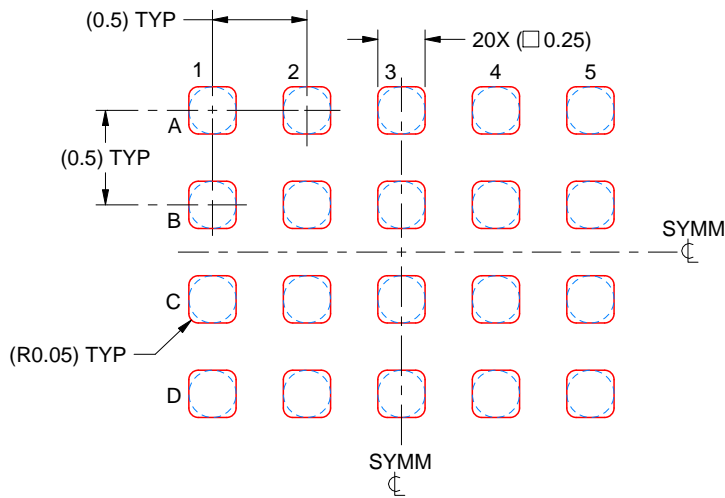
- Final dimensions may vary due to manufacturing tolerance considerations and also routing constraints. For information, see Texas Instruments literature number SPRAA99 ([www.ti.com/lit/spraa99](http://www.ti.com/lit/spraa99)).

# EXAMPLE STENCIL DESIGN

ZXY0020A

VFBGA - 0.61 mm max height

PLASTIC BALL GRID ARRAY



SOLDER PASTE EXAMPLE  
BASED ON 0.1 mm THICK STENCIL  
SCALE: 25X

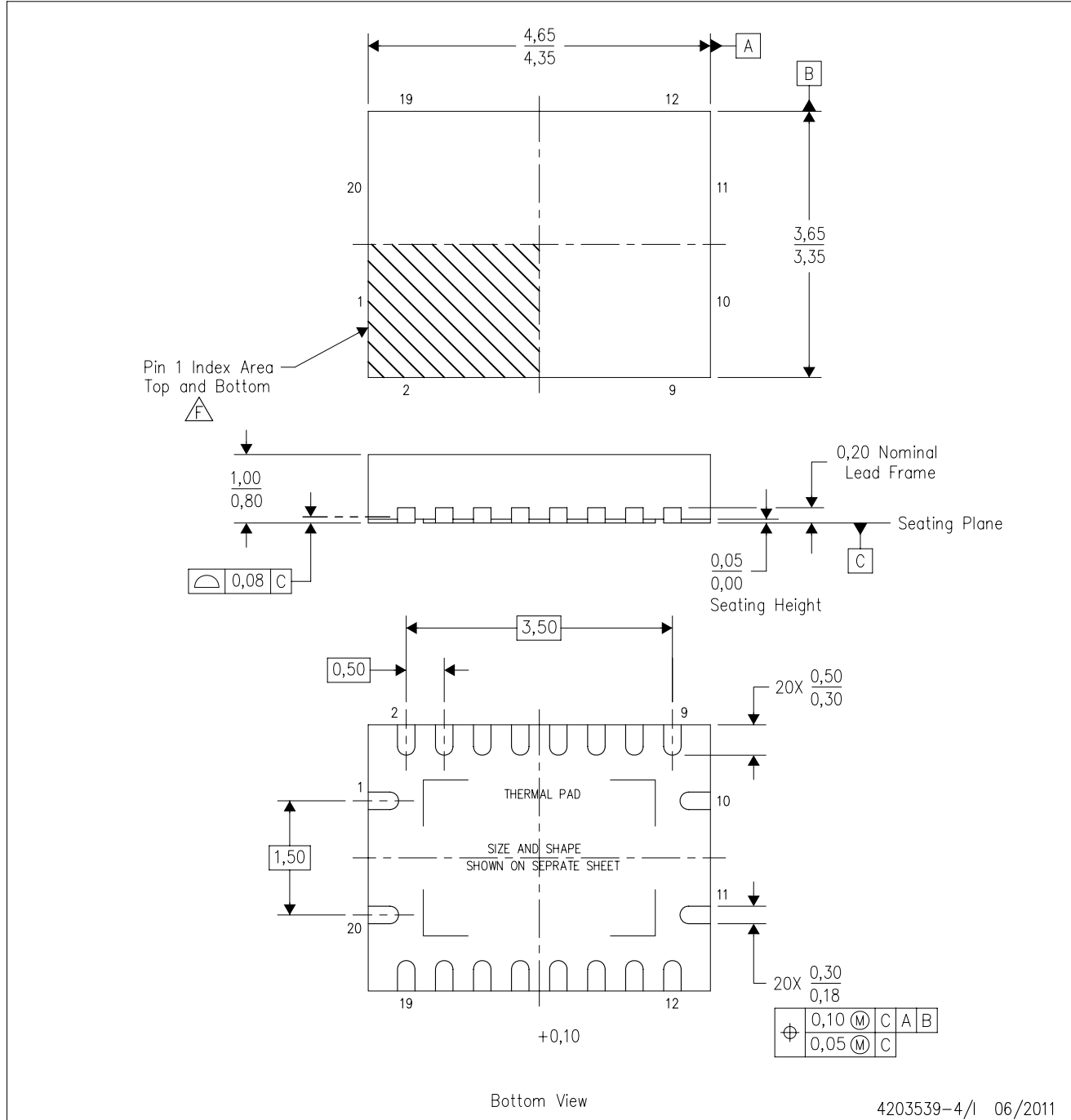
4222996/A 12/2016

NOTES: (continued)

4. Laser cutting apertures with trapezoidal walls and rounded corners may offer better paste release.

RGY (R-PVQFN-N20)

PLASTIC QUAD FLATPACK NO-LEAD



- NOTES:
- All linear dimensions are in millimeters. Dimensioning and tolerancing per ASME Y14.5M-1994.
  - This drawing is subject to change without notice.
  - QFN (Quad Flatpack No-Lead) package configuration.
  - The package thermal pad must be soldered to the board for thermal and mechanical performance.
  - See the additional figure in the Product Data Sheet for details regarding the exposed thermal pad features and dimensions.
  - Pin 1 identifiers are located on both top and bottom of the package and within the zone indicated. The Pin 1 identifiers are either a molded, marked, or metal feature.
  - Package complies to JEDEC MO-241 variation BA.

RGY (R-PVQFN-N20)

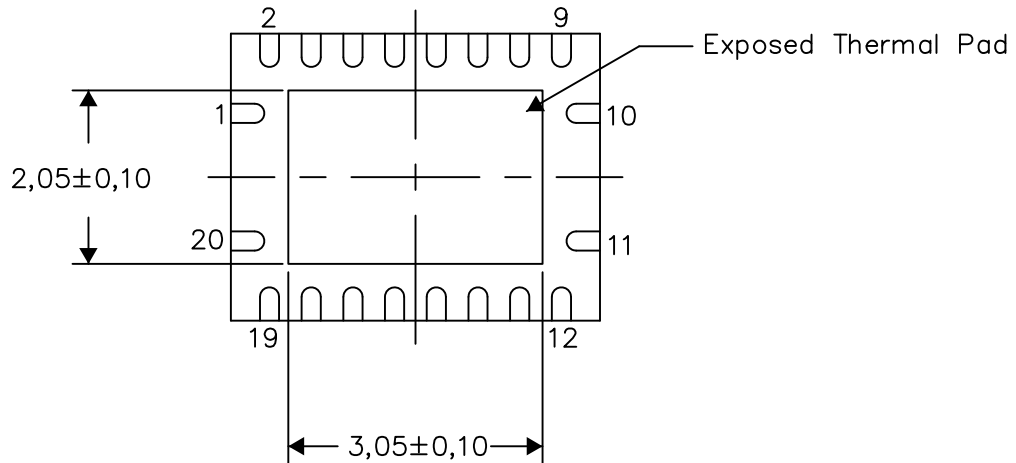
PLASTIC QUAD FLATPACK NO-LEAD

**THERMAL INFORMATION**

This package incorporates an exposed thermal pad that is designed to be attached directly to an external heatsink. The thermal pad must be soldered directly to the printed circuit board (PCB). After soldering, the PCB can be used as a heatsink. In addition, through the use of thermal vias, the thermal pad can be attached directly to the appropriate copper plane shown in the electrical schematic for the device, or alternatively, can be attached to a special heatsink structure designed into the PCB. This design optimizes the heat transfer from the integrated circuit (IC).

For information on the Quad Flatpack No-Lead (QFN) package and its advantages, refer to Application Report, QFN/SON PCB Attachment, Texas Instruments Literature No. SLUA271. This document is available at [www.ti.com](http://www.ti.com).

The exposed thermal pad dimensions for this package are shown in the following illustration.



Bottom View

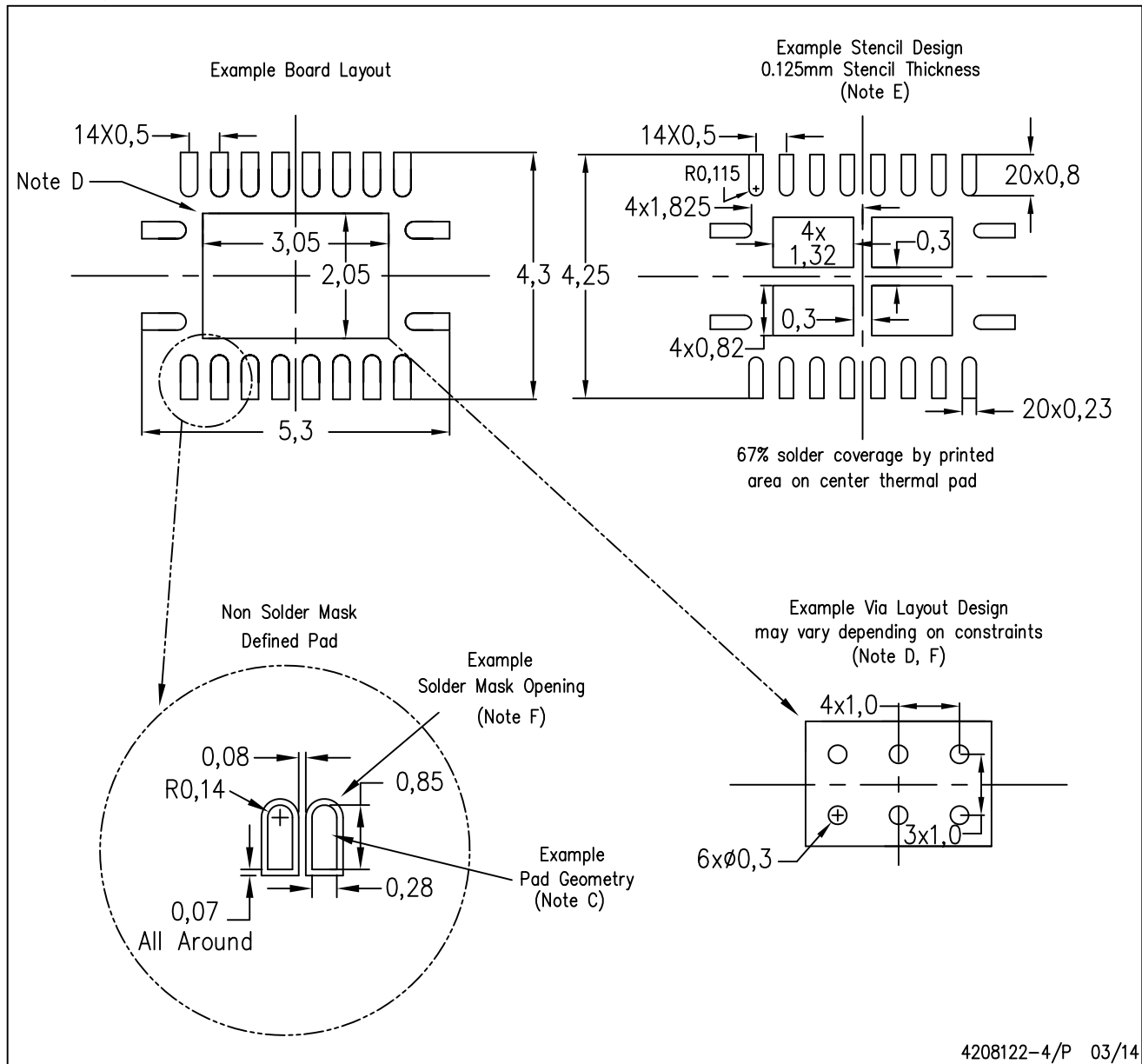
Exposed Thermal Pad Dimensions

4206353-4/P 03/14

NOTE: All linear dimensions are in millimeters

RGY (R-PVQFN-N20)

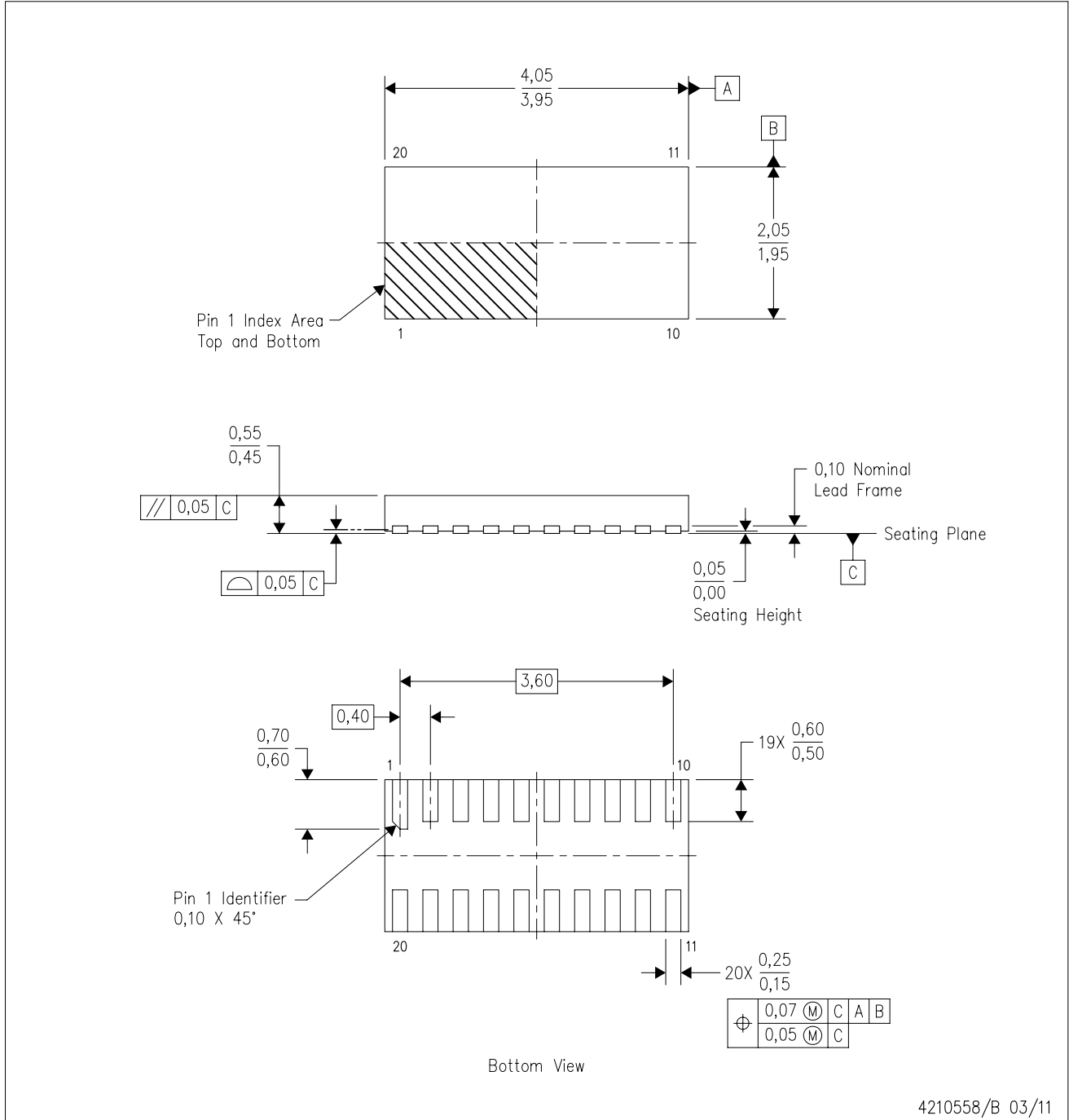
PLASTIC QUAD FLATPACK NO-LEAD



- NOTES:
- All linear dimensions are in millimeters.
  - This drawing is subject to change without notice.
  - Publication IPC-7351 is recommended for alternate designs.
  - This package is designed to be soldered to a thermal pad on the board. Refer to Application Note, Quad Flat-Pack QFN/SON PCB Attachment, Texas Instruments Literature No. SLUA271, and also the Product Data Sheets for specific thermal information, via requirements, and recommended board layout. These documents are available at [www.ti.com](http://www.ti.com) <<http://www.ti.com>>.
  - Laser cutting apertures with trapezoidal walls and also rounding corners will offer better paste release. Customers should contact their board assembly site for stencil design recommendations. Refer to IPC 7525 for stencil design considerations.
  - Customers should contact their board fabrication site for minimum solder mask web tolerances between signal pads.

DQS (R-PUSON-N20)

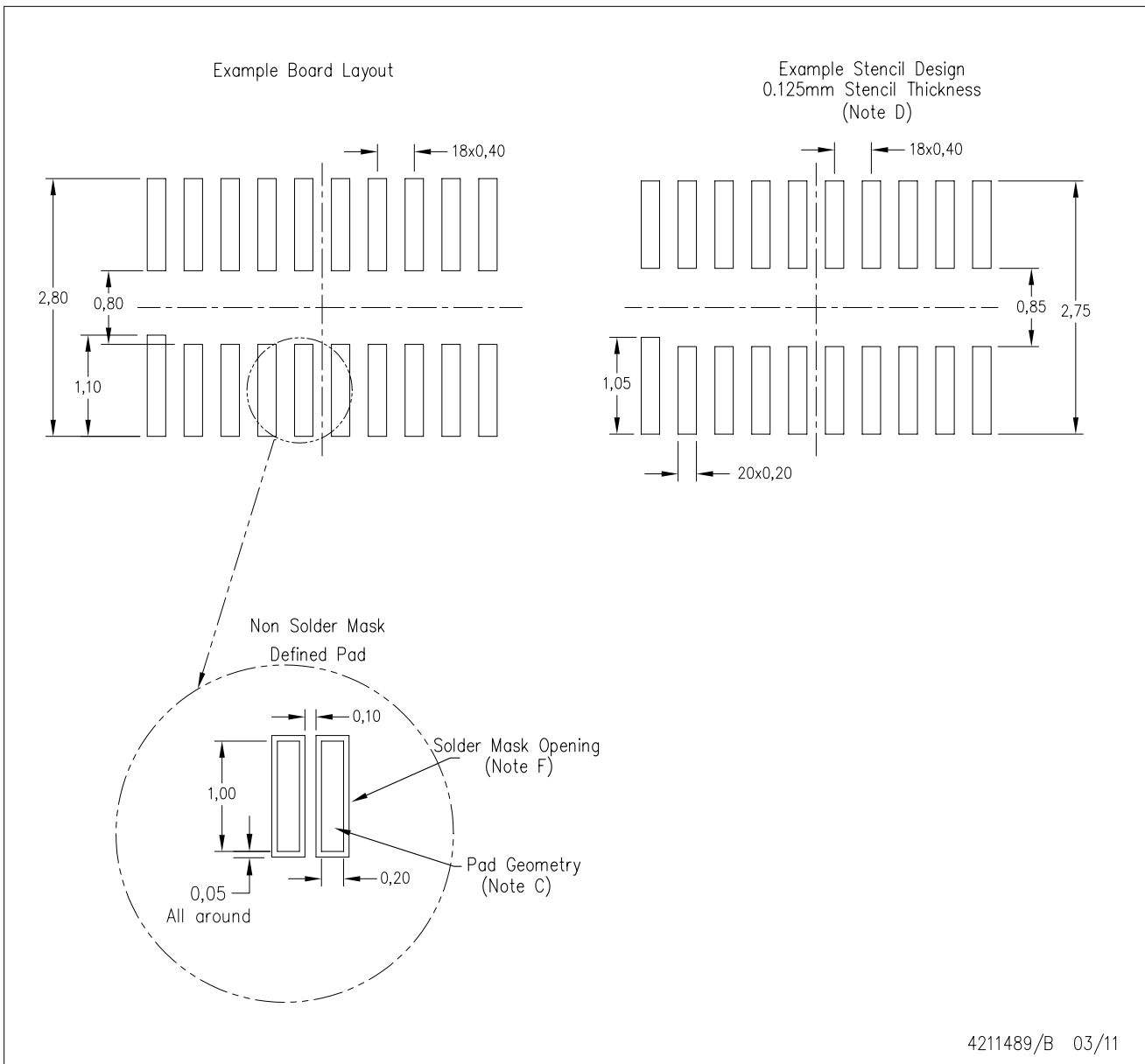
PLASTIC SMALL OUTLINE NO-LEAD



- NOTES:
- A. All linear dimensions are in millimeters. Dimensioning and tolerancing per ASME Y14.5M-1994.
  - B. This drawing is subject to change without notice.
  - C. SON (Small Outline No-Lead) package configuration.

DQS (R-PUSON-N20)

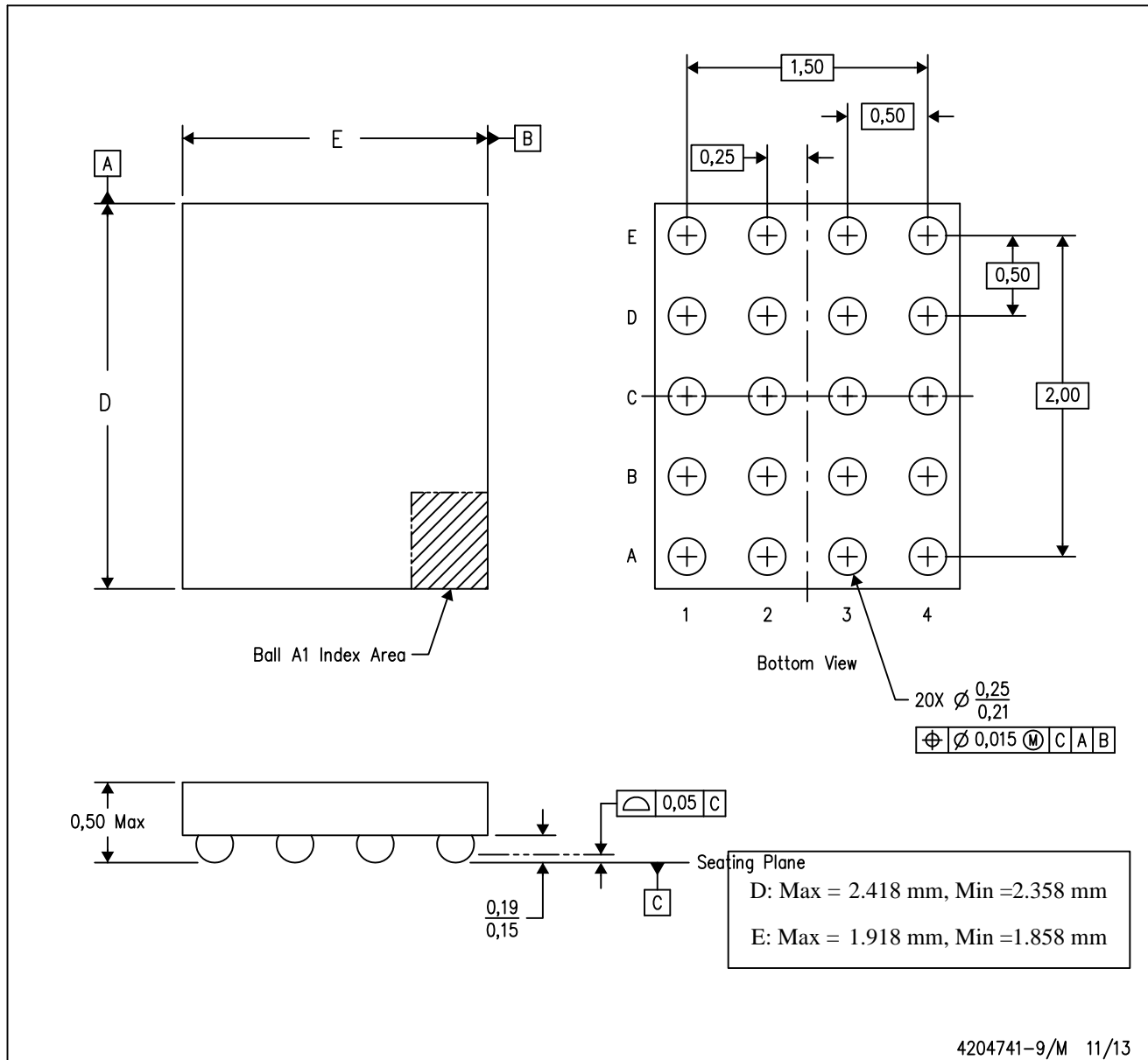
PLASTIC SMALL OUTLINE NO-LEAD



- NOTES:
- A. All linear dimensions are in millimeters.
  - B. This drawing is subject to change without notice.
  - C. Publication IPC-7351 is recommended for alternate designs.
  - D. Laser cutting apertures with trapezoidal walls and also rounding corners will offer better paste release. Customers should contact their board assembly site for stencil design recommendations. Refer to IPC 7525 for stencil design considerations.
  - E. Customers should contact their board fabrication site for minimum solder mask web tolerances between signal pads.

YZP (R-XBGA-N20)

DIE-SIZE BALL GRID ARRAY

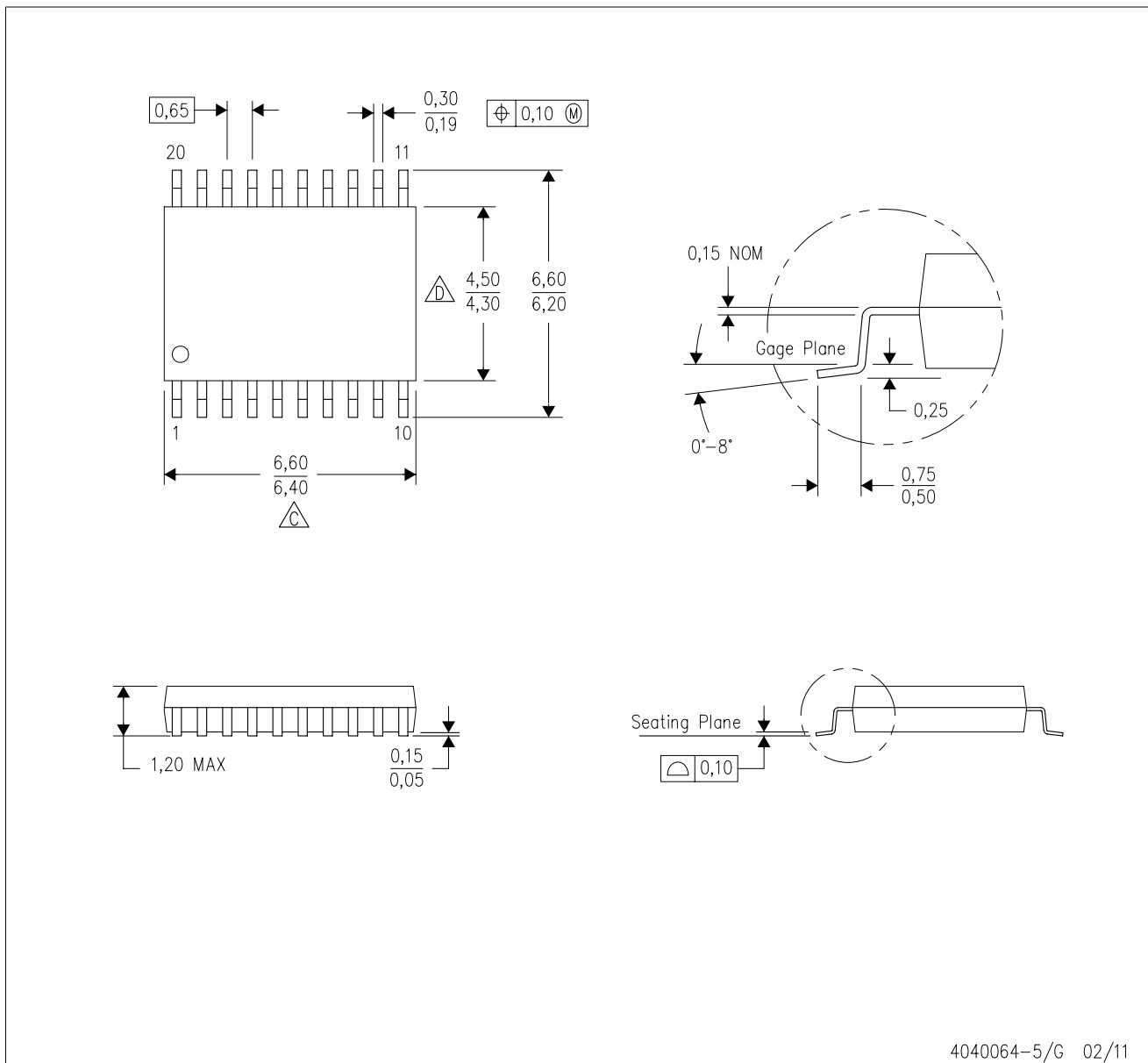


- NOTES:
- A. All linear dimensions are in millimeters. Dimensioning and tolerancing per ASME Y14.5M-1994.
  - B. This drawing is subject to change without notice.
  - C. NanoFree™ package configuration.

NanoFree is a trademark of Texas Instruments.

PW (R-PDSO-G20)

PLASTIC SMALL OUTLINE

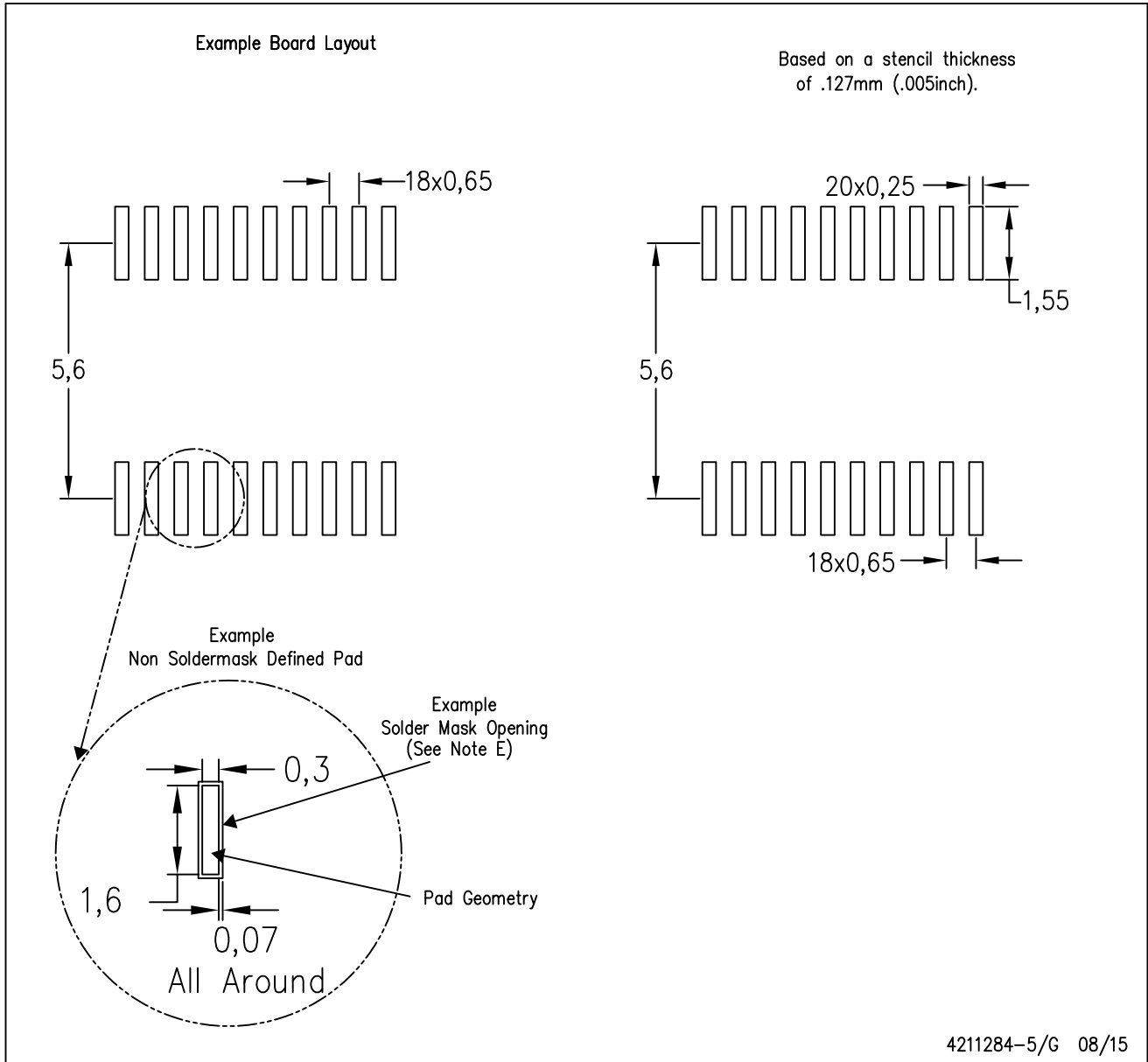


4040064-5/G 02/11

- NOTES:
- A. All linear dimensions are in millimeters. Dimensioning and tolerancing per ASME Y14.5M-1994.
  - B. This drawing is subject to change without notice.
  - Body length does not include mold flash, protrusions, or gate burrs. Mold flash, protrusions, or gate burrs shall not exceed 0,15 each side.
  - Body width does not include interlead flash. Interlead flash shall not exceed 0,25 each side.
  - E. Falls within JEDEC MO-153

PW (R-PDSO-G20)

PLASTIC SMALL OUTLINE



- NOTES:
- A. All linear dimensions are in millimeters.
  - B. This drawing is subject to change without notice.
  - C. Publication IPC-7351 is recommended for alternate design.
  - D. Laser cutting apertures with trapezoidal walls and also rounding corners will offer better paste release. Customers should contact their board assembly site for stencil design recommendations. Refer to IPC-7525 for other stencil recommendations.
  - E. Customers should contact their board fabrication site for solder mask tolerances between and around signal pads.

## IMPORTANT NOTICE AND DISCLAIMER

TI PROVIDES TECHNICAL AND RELIABILITY DATA (INCLUDING DATASHEETS), DESIGN RESOURCES (INCLUDING REFERENCE DESIGNS), APPLICATION OR OTHER DESIGN ADVICE, WEB TOOLS, SAFETY INFORMATION, AND OTHER RESOURCES "AS IS" AND WITH ALL FAULTS, AND DISCLAIMS ALL WARRANTIES, EXPRESS AND IMPLIED, INCLUDING WITHOUT LIMITATION ANY IMPLIED WARRANTIES OF MERCHANTABILITY, FITNESS FOR A PARTICULAR PURPOSE OR NON-INFRINGEMENT OF THIRD PARTY INTELLECTUAL PROPERTY RIGHTS.

These resources are intended for skilled developers designing with TI products. You are solely responsible for (1) selecting the appropriate TI products for your application, (2) designing, validating and testing your application, and (3) ensuring your application meets applicable standards, and any other safety, security, or other requirements. These resources are subject to change without notice. TI grants you permission to use these resources only for development of an application that uses the TI products described in the resource. Other reproduction and display of these resources is prohibited. No license is granted to any other TI intellectual property right or to any third party intellectual property right. TI disclaims responsibility for, and you will fully indemnify TI and its representatives against, any claims, damages, costs, losses, and liabilities arising out of your use of these resources.

TI's products are provided subject to TI's Terms of Sale ([www.ti.com/legal/termsofsale.html](http://www.ti.com/legal/termsofsale.html)) or other applicable terms available either on [ti.com](http://ti.com) or provided in conjunction with such TI products. TI's provision of these resources does not expand or otherwise alter TI's applicable warranties or warranty disclaimers for TI products.

Mailing Address: Texas Instruments, Post Office Box 655303, Dallas, Texas 75265  
Copyright © 2019, Texas Instruments Incorporated

## Looking for pricing, stock, or lifecycle information?

Click below to explore more details on WIN SOURCE:

 [View TXB0108ZXYRG4 on WIN SOURCE](#)

 [Texas Instruments](#) Information

## Optimize Your Supply Chain with WIN SOURCE Solutions

-  Global Sourcing Solution
-  Obsolete Management
-  Cost Control Management
-  Shortage Management
-  Alternative Solution
-  Excess Inventory Management