



**THE DATASHEET OF
TS600-200-RA-B-0.5-2**



Specification Status: RELEASED

Max Electrical Rating at 20°C

Operating Voltage: **60V_{DC}**
Interrupt Current: **3A_{RMS}**

Fault Voltage: **600V_{RMS}**

Terminal Material: Tin plated brass
Case Material: 1000 V Dielectric rating
Marking:

- _____ Raychem Logo
- ⊗ T20 _____ Part Identification
- □ □ □ _____ Lot Identification

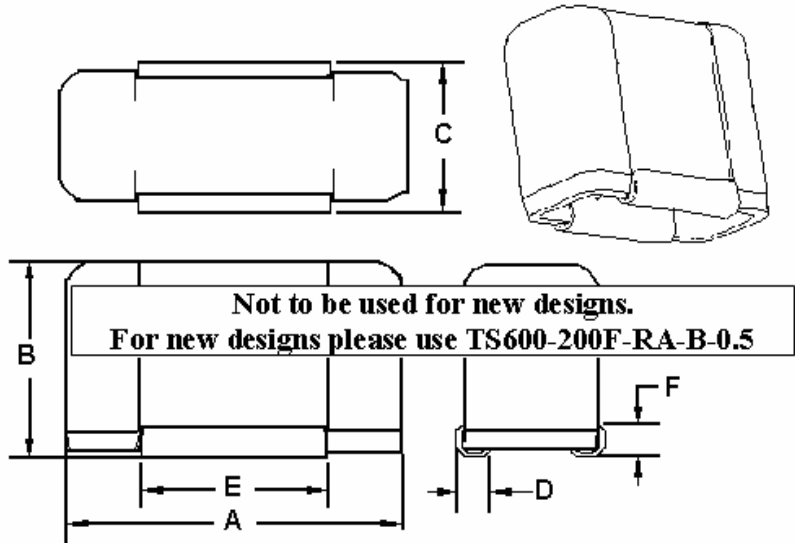


TABLE I. DIMENSIONS:

	A		B		C		D		E		F	
	MIN	MAX	MIN	MAX	MIN	MAX	MIN	MAX	MIN	MAX	MIN	MAX
mm:	18.29	19.43	11.56	12.32	7.24	8.26	1.65	2.41	9.91	10.41	1.52	2.29
in*:	(0.720)	(0.765)	(0.455)	(0.485)	(0.285)	(0.325)	(0.065)	(0.095)	(0.390)	(0.410)	(0.060)	(0.090)

*Rounded off approximation

TABLE II. PERFORMANCE RATINGS @ 20°C (unless otherwise noted):

IHOLD (A)		RESISTANCE (Ω)				TIME TO TRIP(s)	OPERATING Temperature (°C)		Power Dissipation
20°C	70°C	R MIN	R MAX	R ₁ Inst*	R ₁ MAX**	@ 1A TYP	MIN	MAX	Watts, Typical
0.200	0.110	4.0	7.5	13.5	13.5	12	-40	85	2.5



*Post Reflow Resistance, measured after one hour.
**Maximum device resistance at 20°C measured 1 hour post trip.

Resistance Matched 0.5 Ohm

Agency Recognition: CSA, UL Recognition file #E74889
Reference Documents: PS300
Precedence: This specification takes precedence over documents referenced herein.
Effectivity: Reference documents shall be the issue in effect on the date of invitation for bid.
CAUTION: Operation beyond the rated voltage or current may result in rupture, electrical arcing or flame.

Looking for pricing, stock, or lifecycle information?

Click below to explore more details on WIN SOURCE:

-  [View TS600-200-RA-B-0.5-2 on WIN SOURCE](#)
-  [Littelfuse Inc. Information](#)

Optimize Your Supply Chain with WIN SOURCE Solutions

-  Global Sourcing Solution
-  Obsolete Management
-  Cost Control Management
-  Shortage Management
-  Alternative Solution
-  Excess Inventory Management