



**THE DATASHEET OF  
TS3A44159PWR**



# TS3A44159 0.45-Ω Quad SPDT Analog Switch 4-Channel 2:1 Multiplexer – Demultiplexer With Two Controls

## 1 Features

- Specified Break-Before-Make Switching
- Low ON-State Resistance (<0.5 Ω)
- Control Inputs Are 1.8-V Logic Compatible
- Low Charge Injection
- Excellent ON-State Resistance Matching
- Low Total Harmonic Distortion (THD)
- 1.65-V to 4.3-V Single-Supply Operation
- Latch-Up Performance Exceeds 100 mA Per JESD 78, Class II
- ESD Performance Tested Per JESD 22
  - ±2000-V Human-Body Model (A114-B, Class II)
  - ±1000-V Charged-Device Model (C101)

## 2 Applications

- Cell Phones
- PDAs
- Portable Instrumentation
- Audio and Video Signal Routing
- Low-Voltage Data-Acquisition Systems
- Communication Circuits
- Modems
- Hard Drives
- Computer Peripherals
- Wireless Pins and Peripherals

## 3 Description

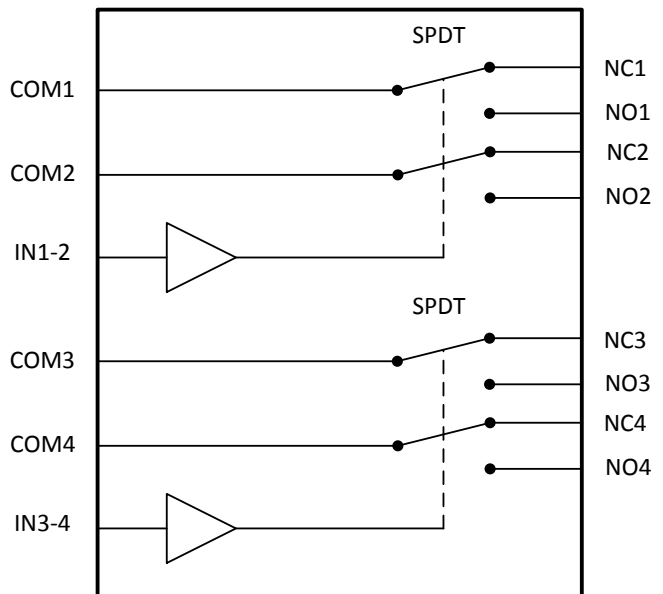
The TS3A44159 is a bidirectional 4-channel single-pole double-throw (SPDT) analog switch with two control inputs, which is designed to operate from 1.65 V to 4.3 V. This device is also known as a 2 channel double-pole double-throw (DPDT) configuration. It offers low ON-state resistance and excellent ON-state resistance matching with the break-before-make feature that prevents signal distortion during the transferring of a signal from one channel to another. The device has an excellent total harmonic distortion (THD) performance and consumes very low power. These features make this device suitable for portable audio applications

### Device Information<sup>(1)</sup>

PART NUMBER	PACKAGE	BODY SIZE (NOM)
TS3A44159	TSSOP (16)	5.00 mm × 4.40 mm
	VQFN (16)	3.00 mm × 3.00 mm
	UQFN (16)	2.60 mm × 1.80 mm

(1) For all available packages, see the orderable addendum at the end of the datasheet.

### Simplified Schematic



## Table of Contents

<b>1</b>	<b>Features</b> .....	<b>1</b>	<b>8</b>	<b>Detailed Description</b> .....	<b>19</b>
<b>2</b>	<b>Applications</b> .....	<b>1</b>	8.1	Overview .....	19
<b>3</b>	<b>Description</b> .....	<b>1</b>	8.2	Functional Block Diagram .....	19
<b>4</b>	<b>Revision History</b> .....	<b>2</b>	8.3	Feature Description .....	19
<b>5</b>	<b>Pin Configuration and Functions</b> .....	<b>3</b>	8.4	Device Functional Modes .....	19
<b>6</b>	<b>Specifications</b> .....	<b>4</b>	<b>9</b>	<b>Application and Implementation</b> .....	<b>20</b>
6.1	Absolute Maximum Ratings .....	4	9.1	Application Information .....	20
6.2	ESD Ratings .....	4	9.2	Typical Application .....	20
6.3	Recommended Operating Conditions .....	4	<b>10</b>	<b>Power Supply Recommendations</b> .....	<b>22</b>
6.4	Thermal Information .....	5	<b>11</b>	<b>Layout</b> .....	<b>22</b>
6.5	Electrical Characteristics for 1.8-V Supply .....	5	11.1	Layout Guidelines .....	22
6.6	Electrical Characteristics for 2.1-V Supply .....	6	11.2	Layout Example .....	22
6.7	Electrical Characteristics for 2.5-V Supply .....	7	<b>12</b>	<b>Device and Documentation Support</b> .....	<b>23</b>
6.8	Electrical Characteristics for 3.3-V Supply .....	8	12.1	Trademarks .....	23
6.9	Electrical Characteristics for 4.3-V Supply .....	9	12.2	Electrostatic Discharge Caution .....	23
6.10	Typical Characteristics .....	11	12.3	Glossary .....	23
<b>7</b>	<b>Parameter Measurement Information</b> .....	<b>14</b>	<b>13</b>	<b>Mechanical, Packaging, and Orderable Information</b> .....	<b>23</b>

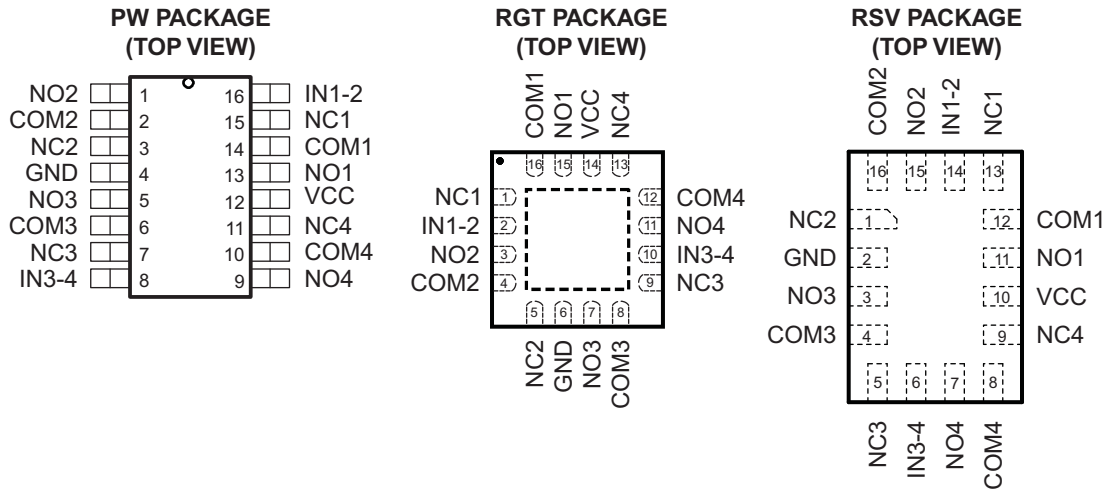
## 4 Revision History

### Changes from Revision B (October 2012) to Revision C

Page

- Added *Pin Configuration and Functions* section, *ESD Ratings* table, *Feature Description* section, *Device Functional Modes*, *Application and Implementation* section, *Power Supply Recommendations* section, *Layout* section, *Device and Documentation Support* section, and *Mechanical, Packaging, and Orderable Information* section ..... 1

## 5 Pin Configuration and Functions



### Pin Functions

PIN				I/O	DESCRIPTION
PW NO.	RGT NO.	RSV NO.	NAME		
1	3	15	NO2	I/O	Normally Open
2	4	16	COM2	I/O	Common
3	5	1	NC2	I/O	Normally Closed
4	6	2	GND	—	Ground
5	7	3	NO3	I/O	Normally Open
6	8	4	COM3	I/O	Common
7	9	5	NC3	I/O	Normally Closed
8	10	6	IN3-4	I	Digital Control to connect COM to NO or NC
9	11	7	NO4	I/O	Normally Open
10	12	8	COM4	I/O	Common
11	13	9	NC4	I/O	Normally Closed
12	14	10	VCC	I	Power Supply
13	15	11	NO1	I/O	Normally Open
14	16	12	COM1	I/O	Common
15	1	13	NC1	I/O	Normally Closed
16	2	14	IN1-2	I/O	Digital Control to connect COM to NO or NC

## 6 Specifications

### 6.1 Absolute Maximum Ratings

 over operating free-air temperature range (unless otherwise noted)<sup>(1) (2)</sup>

		MIN	MAX	UNIT
V <sub>CC</sub>	Supply voltage <sup>(3)</sup>	-0.5	4.6	V
V <sub>NC</sub> V <sub>NO</sub> V <sub>COM</sub>	Analog voltage <sup>(3) (4) (5)</sup>	-0.5	V <sub>CC</sub> + 0.5	V
I <sub>K</sub>	Analog port diode current V <sub>NC</sub> , V <sub>NO</sub> , V <sub>COM</sub> < 0	-50		mA
I <sub>NC</sub> I <sub>NO</sub> I <sub>COM</sub>	ON-state switch current ON-state peak switch current <sup>(6)</sup> V <sub>NC</sub> , V <sub>NO</sub> , V <sub>COM</sub> = 0 to V <sub>CC</sub>	-200 -400	200 400	mA
V <sub>IN</sub>	Digital input voltage	-0.5	4.6	V
I <sub>IK</sub>	Digital input clamp current <sup>(3) (4)</sup> V <sub>I</sub> < 0	-50		mA
I <sub>CC</sub>	Continuous current through V <sub>CC</sub>		100	mA
I <sub>GND</sub>	Continuous current through GND	-100		mA
T <sub>stg</sub>	Storage temperature	-65	150	°C

- (1) Stresses beyond those listed under *Absolute Maximum Ratings* may cause permanent damage to the device. These are stress ratings only, which do not imply functional operation of the device at these or any other conditions beyond those indicated under *Recommended Operating Conditions*. Exposure to absolute-maximum-rated conditions for extended periods may affect device reliability.
- (2) The algebraic convention, whereby the most negative value is a minimum and the most positive value is a maximum
- (3) All voltages are with respect to ground, unless otherwise specified.
- (4) The input and output voltage ratings may be exceeded if the input and output clamp-current ratings are observed.
- (5) This value is limited to 4.6 V maximum.
- (6) Pulse at 1-ms duration <10% duty cycle

### 6.2 ESD Ratings

		VALUE	UNIT
V <sub>(ESD)</sub>	Electrostatic discharge	Human-body model (HBM), per ANSI/ESDA/JEDEC JS-001 <sup>(1)</sup>	±2000
		Charged-device model (CDM), per JEDEC specification JESD22-C101 <sup>(2)</sup>	±1000

- (1) JEDEC document JEP155 states that 500-V HBM allows safe manufacturing with a standard ESD control process.
- (2) JEDEC document JEP157 states that 250-V CDM allows safe manufacturing with a standard ESD control process.

### 6.3 Recommended Operating Conditions

over operating free-air temperature range (unless otherwise noted)

		MIN	MAX	UNIT
V <sub>CC</sub>	Supply Voltage	0	4.3	V
V <sub>NC</sub> V <sub>NO</sub> V <sub>COM</sub>	Analog Voltage	0	4.3	V
V <sub>IN</sub>	Digital Input Voltage	0	4.3	V

## 6.4 Thermal Information

THERMAL METRIC <sup>(1)</sup>		TS3A44159			UNIT
		PW	RGT	RSV	
		16 PINS			
R <sub>θJA</sub>	Junction-to-ambient thermal resistance	108.0	45.4	107.1	°C/W
R <sub>θJC(top)</sub>	Junction-to-case (top) thermal resistance	43.0	58.1	41.2	
R <sub>θJB</sub>	Junction-to-board thermal resistance	53.1	18.6	43.6	
ψ <sub>JT</sub>	Junction-to-top characterization parameter	4.6	1.1	1.1	
ψ <sub>JB</sub>	Junction-to-board characterization parameter	52.5	18.6	43.6	
R <sub>θJC(bot)</sub>	Junction-to-case (bottom) thermal resistance	N/A	3.9	N/A	

(1) For more information about traditional and new thermal metrics, see the *IC Package Thermal Metrics* application report, [SPRA953](#).

## 6.5 Electrical Characteristics for 1.8-V Supply

V<sub>CC</sub> = 1.65 V to 1.95 V, T<sub>A</sub> = –40°C to 85°C (unless otherwise noted)<sup>(1)</sup>

PARAMETER	TEST CONDITIONS	T <sub>A</sub>	V <sub>CC</sub>	MIN	TYP	MAX	UNIT	
<b>ANALOG SWITCH</b>								
V <sub>COM</sub> , V <sub>NO</sub> , V <sub>NC</sub>	Analog signal range			0		V <sub>CC</sub>	V	
R <sub>on</sub>	ON-state resistance	V <sub>NO</sub> or V <sub>NC</sub> = 1.5 V, I <sub>COM</sub> = –100 mA, Switch ON, See <a href="#">Figure 16</a>	25°C	1.65 V	0.5	0.7	Ω	
			Full		0.8			
ΔR <sub>on</sub>	ON-state resistance match between channels	V <sub>NO</sub> or V <sub>NC</sub> = 1.5 V, 0.6 V, I <sub>COM</sub> = –100 mA, Switch ON, See <a href="#">Figure 16</a>	25°C	1.65 V	0.05	0.07	Ω	
			Full		0.1			
R <sub>on(flat)</sub>	ON-state resistance flatness	V <sub>NO</sub> or V <sub>NC</sub> = 1.5 V, 0.6 V, 1.5 V, 2.5 V, I <sub>COM</sub> = –100 mA, Switch ON, See <a href="#">Figure 16</a>	25°C	1.65 V	0.5	0.7	Ω	
			Full		0.8			
I <sub>NO(OFF)</sub> , I <sub>NC(OFF)</sub>	NC, NO OFF leakage current	V <sub>NO</sub> or V <sub>NC</sub> = 0.3 V, V <sub>COM</sub> = 1.65 V, or V <sub>NO</sub> or V <sub>NC</sub> = 1.65 V, V <sub>COM</sub> = 0.3 V, See <a href="#">Figure 17</a>	25°C	1.95 V	–10	0.5	10	nA
			Full		–20	20		
I <sub>NO(ON)</sub> , I <sub>NC(ON)</sub>	NC, NO ON leakage current	V <sub>NO</sub> or V <sub>NC</sub> = 0.3 V, V <sub>COM</sub> = Open, or V <sub>NO</sub> or V <sub>NC</sub> = 1.65 V, V <sub>COM</sub> = Open, See <a href="#">Figure 18</a>	25°C	1.95 V	–10	0.1	10	nA
			Full		–20	20		
I <sub>COM(ON)</sub>	COM ON leakage current	V <sub>NO</sub> or V <sub>NC</sub> = Open, V <sub>COM</sub> = 0.3V, or V <sub>NO</sub> or V <sub>NC</sub> = Open, V <sub>COM</sub> = 1.65 V, See <a href="#">Figure 18</a>	25°C	1.95 V	–10	0.1	10	nA
			Full		–20	20		
<b>DIGITAL CONTROL INPUTS (IN1-2, IN3-4)<sup>(2)</sup></b>								
V <sub>IH</sub>	Input logic high		Full		1	4.3	V	
V <sub>IL</sub>	Input logic low		Full		0	0.4	V	
I <sub>IH</sub> , I <sub>IL</sub>	Input leakage current	V <sub>IN</sub> = 3.6 V or 0	25°C	1.95 V	0.5	10	nA	
			Full		50			
<b>DYNAMIC</b>								
t <sub>ON</sub>	Turn-on time	V <sub>COM</sub> = V <sub>CC</sub> , R <sub>L</sub> = 50 Ω, C <sub>L</sub> = 35 pF	25°C	1.8 V	40	70	ns	
			Full	1.65 V to 1.95 V		75		

(1) The algebraic convention, whereby the most negative value is a minimum and the most positive value is a maximum

(2) All unused digital inputs of the device must be held at V<sub>CC</sub> or GND to ensure proper device operation. Refer to the TI application report, *Implications of Slow or Floating CMOS Inputs*, [SCBA004](#).

**Electrical Characteristics for 1.8-V Supply (continued)**
 $V_{CC} = 1.65\text{ V to }1.95\text{ V}$ ,  $T_A = -40^\circ\text{C to }85^\circ\text{C}$  (unless otherwise noted)<sup>(1)</sup>

PARAMETER	TEST CONDITIONS	$T_A$	$V_{CC}$	MIN	TYP	MAX	UNIT
$t_{OFF}$ Turn-off time	$V_{COM} = V_{CC}$ , $R_L = 50\ \Omega$ , $C_L = 35\text{ pF}$	25°C	1.8 V		22	45	ns
		Full	1.65 V to 1.95 V			50	
$t_{BBM}$ Break-before-make time	$V_{NC} = V_{NO} = V_{CC}$ , $R_L = 50\ \Omega$ , $C_L = 35\text{ pF}$	25°C	1.8 V	5	25	70	ns
		Full	1.65 V to 1.95 V	4		75	
$Q_C$ Charge injection	$V_{GEN} = 0$ , $R_{GEN} = 0$ , $C_L = 1\text{ nF}$	25°C	1.8 V		64		pC
$C_{NC(OFF)}$ , $C_{NO(OFF)}$ NC, NO OFF capacitance	$V_{NC}$ or $V_{NO} = V_{CC}$ or GND, Switch OFF, See <a href="#">Figure 19</a>	25°C	1.8 V		52		pF
$C_{NC(ON)}$ , $C_{NO(ON)}$ NC, NO ON capacitance	$V_{NC}$ or $V_{NO} = V_{CC}$ or GND, Switch OFF, See <a href="#">Figure 19</a>	25°C	1.8 V		164		pF
$C_{COM(ON)}$ COM ON capacitance	$V_{COM} = V_{CC}$ or GND, Switch ON, See <a href="#">Figure 19</a>	25°C	1.8 V		164		pF
$C_I$ Digital input capacitance	$V_I = V_{CC}$ or GND	25°C	1.8 V		2.5		pF
BW Bandwidth	$R_L = 50\ \Omega$ , Switch ON	25°C	1.8 V		35		MHz
$O_{ISO}$ OFF isolation	$R_L = 50\ \Omega$ , $f = 100\text{ kHz}$ , Switch OFF	25°C	1.8 V		-71		dB
$X_{TALK}$ Crosstalk	$R_L = 50\ \Omega$ , $f = 100\text{ kHz}$ , Switch ON	25°C	1.8 V		-73		dB
THD Total harmonic distortion	$R_L = 600\ \Omega$ , $C_L = 50\text{ pF}$ , $V_{COM} = \text{GND to } V_{CC}$ , $f = 20\text{ Hz to } 20\text{ kHz}$	25°C	1.8 V		0.1%		
<b>SUPPLY</b>							
$I_{CC}$ Positive supply current	$V_I = V_{CC}$ or GND, Switch ON or OFF	25°C	1.95 V	0.001	0.05	0.15	$\mu\text{A}$
		Full					

**6.6 Electrical Characteristics for 2.1-V Supply**
 $V_{CC} = 2.00\text{ V to }2.20\text{ V}$ ,  $T_A = -40^\circ\text{C to }85^\circ\text{C}$  (unless otherwise noted)<sup>(1)</sup>

PARAMETER	TEST CONDITIONS	$T_A$	$V_{CC}$	MIN	TYP	MAX	UNIT
<b>DIGITAL CONTROL INPUTS (IN1-2, IN3-4)</b>							
$V_{IH}$ Input logic high		Full		1.2		4.3	V
$V_{IL}$ Input logic low		Full		0		0.5	V

(1) The algebraic convention, whereby the most negative value is a minimum and the most positive value is a maximum

## 6.7 Electrical Characteristics for 2.5-V Supply

 $V_{CC} = 2.3 \text{ V to } 2.7 \text{ V}$ ,  $T_A = -40^\circ\text{C to } 85^\circ\text{C}$  (unless otherwise noted)<sup>(1)</sup>

PARAMETER	TEST CONDITIONS	$T_A$	$V_{CC}$	MIN	TYP	MAX	UNIT	
<b>ANALOG SWITCH</b>								
$V_{COM}$ , $V_{NO}$ , $V_{NC}$	Analog signal range			0		$V_{CC}$	V	
$R_{on}$	ON-state resistance	$V_{NO}$ or $V_{NC} = 1.8 \text{ V}$ , $I_{COM} = -100 \text{ mA}$ , Switch ON, See <a href="#">Figure 16</a>	25°C Full	2.3 V	0.45	0.6 0.7	$\Omega$	
$\Delta R_{on}$	ON-state resistance match between channels	$V_{NO}$ or $V_{NC} = 1.8 \text{ V}$ , $0.8 \text{ V}$ , $I_{COM} = -100 \text{ mA}$ , Switch ON, See <a href="#">Figure 16</a>	25°C Full	2.3 V	0.045	0.07 0.1	$\Omega$	
$R_{on(Flat)}$	ON-state resistance flatness	$V_{NO}$ or $V_{NC} = 1.8 \text{ V}$ , $0.8 \text{ V}$ $I_{COM} = -100 \text{ mA}$ , Switch ON, See <a href="#">Figure 16</a>	25°C Full	2.3 V	0.06	0.15 0.2	$\Omega$	
$I_{NO(OFF)}$ , $I_{NC(OFF)}$	NC, NO OFF leakage current	$V_{NO}$ or $V_{NC} = 0.3 \text{ V}$ , $V_{COM} = 2.3 \text{ V}$ , or $V_{NO}$ or $V_{NC} = 2.3 \text{ V}$ , $V_{COM} = 0.3 \text{ V}$ , See <a href="#">Figure 17</a>	25°C Full	2.7 V	-10 -20	0.5 20	10 20	nA
$I_{NO(ON)}$ , $I_{NC(ON)}$	NC, NO ON leakage current	$V_{NO}$ or $V_{NC} = 0.3 \text{ V}$ , $V_{COM} = \text{Open}$ , or $V_{NO}$ or $V_{NC} = 2.3 \text{ V}$ , $V_{COM} = \text{Open}$ , See <a href="#">Figure 18</a>	25°C Full	2.7 V	-10 -20	0.1 20	10 20	nA
$I_{COM(ON)}$	COM ON leakage current	$V_{NO}$ or $V_{NC} = \text{Open}$ , $V_{COM} = 0.3 \text{ V}$ , or $V_{NO}$ or $V_{NC} = \text{Open}$ , $V_{COM} = 2.3 \text{ V}$ , See <a href="#">Figure 18</a>	25°C Full	2.7 V	-10 -20	0.1 20	10 20	nA
<b>DIGITAL CONTROL INPUTS (IN1-2, IN3-4)<sup>(2)</sup></b>								
$V_{IH}$	Input logic high		Full		1.2	4.3	V	
$V_{IL}$	Input logic low		Full		0	0.6	V	
$I_{IH}$ , $I_{IL}$	Input leakage current	$V_{IN} = 3.6 \text{ V}$ or 0	25°C Full	2.7 V	0.5	10 50	10 50	nA
<b>DYNAMIC</b>								
$t_{ON}$	Turn-on time	$V_{COM} = V_{CC}$ , $R_L = 50 \Omega$ , $C_L = 35 \text{ pF}$	25°C Full	2.5 V 2.3 V to 2.7 V	2.6	47 50	ns	
$t_{OFF}$	Turn-off time	$V_{COM} = V_{CC}$ , $R_L = 50 \Omega$ , $C_L = 35 \text{ pF}$	25°C Full	2.5 V 2.3 V to 2.7 V	16.5	34 35	ns	
$t_{BBM}$	Break-before-make time	$V_{NC} = V_{NO} = V_{CC}$ , $R_L = 50 \Omega$ , $C_L = 35 \text{ pF}$	25°C Full	2.5 V 2.3 V to 2.7 V	4 3	15 35	35 35	ns
$Q_C$	Charge injection	$V_{GEN} = 0$ , $R_{GEN} = 0$ , $C_L = 1 \text{ nF}$	25°C	2.5 V	84		pC	
$C_{NC(OFF)}$ , $C_{NO(OFF)}$	NC, NO OFF capacitance	$V_{NC}$ or $V_{NO} = V_{CC}$ or GND, Switch OFF, See <a href="#">Figure 19</a>	25°C	2.5 V	52		pF	
$C_{NC(ON)}$ , $C_{NO(ON)}$	NC, NO ON capacitance	$V_{NC}$ or $V_{NO} = V_{CC}$ or GND, Switch OFF, See <a href="#">Figure 19</a>	25°C	2.5 V	163		pF	
$C_{COM(ON)}$	COM ON capacitance	$V_{COM} = V_{CC}$ or GND, See <a href="#">Figure 19</a>	25°C	2.5 V	163		pF	

(1) The algebraic convention, whereby the most negative value is a minimum and the most positive value is a maximum

(2) All unused digital inputs of the device must be held at  $V_{CC}$  or GND to ensure proper device operation. Refer to the TI application report, *Implications of Slow or Floating CMOS Inputs*, [SCBA004](#).

**Electrical Characteristics for 2.5-V Supply (continued)**
 $V_{CC} = 2.3 \text{ V to } 2.7 \text{ V}$ ,  $T_A = -40^\circ\text{C to } 85^\circ\text{C}$  (unless otherwise noted)<sup>(1)</sup>

PARAMETER		TEST CONDITIONS		$T_A$	$V_{CC}$	MIN	TYP	MAX	UNIT
$C_I$	Digital input capacitance	$V_I = V_{CC}$ or GND		25°C	2.5 V		2.5		pF
BW	Bandwidth	$R_L = 50 \Omega$ ,	Switch ON	25°C	2.5 V		35		MHz
$O_{ISO}$	OFF isolation	$R_L = 50 \Omega$ , $f = 100 \text{ kHz}$ ,	Switch OFF	25°C	2.5 V		-71		dB
$X_{TALK}$	Crosstalk	$R_L = 50 \Omega$ , $f = 100 \text{ kHz}$ ,	Switch ON	25°C	2.5 V		-73		dB
THD	Total harmonic distortion	$R_L = 600 \Omega$ , $C_L = 50 \text{ pF}$ , $V_{COM} = \text{GND to } V_{CC}$	$f = 20 \text{ Hz to } 20 \text{ kHz}$	25°C	2.5 V		0.009%		
<b>SUPPLY</b>									
$I_{CC}$	Positive supply current	$V_I = V_{CC}$ or GND,	Switch ON or OFF	25°C	2.5 V		0.004	0.1	$\mu\text{A}$
				Full				0.5	

**6.8 Electrical Characteristics for 3.3-V Supply**
 $V_{CC} = 3 \text{ V to } 3.6 \text{ V}$ ,  $T_A = -40^\circ\text{C to } 85^\circ\text{C}$  (unless otherwise noted)<sup>(1)</sup>

PARAMETER		TEST CONDITIONS		$T_A$	$V_{CC}$	MIN	TYP	MAX	UNIT	
<b>ANALOG SWITCH</b>										
$V_{COM}$ , $V_{NO}$ , $V_{NC}$	Analog signal range					0		$V_{CC}$	V	
$R_{on}$	ON-state resistance	$V_{NO}$ or $V_{NC} = 2.0 \text{ V}$ , $I_{COM} = -100 \text{ mA}$ ,	Switch ON, See <a href="#">Figure 16</a>	25°C	3 V		0.37	0.55	$\Omega$	
				Full				0.6		
$\Delta R_{on}$	ON-state resistance match between channels	$V_{NO}$ or $V_{NC} = 2.0 \text{ V}$ , $0.8 \text{ V}$ , $I_{COM} = -100 \text{ mA}$ ,	Switch ON, See <a href="#">Figure 16</a>	25°C	3 V		0.06	0.07	$\Omega$	
				Full				0.1		
$R_{on(flat)}$	ON-state resistance flatness	$V_{NO}$ or $V_{NC} = 2.0 \text{ V}$ , $0.8 \text{ V}$ $I_{COM} = -100 \text{ mA}$ ,	Switch ON, See <a href="#">Figure 16</a>	25°C	3 V		0.05	0.1	$\Omega$	
				Full				0.1		
$I_{NO(OFF)}$ , $I_{NC(OFF)}$	NC, NO OFF leakage current	$V_{NO}$ or $V_{NC} = 0.3 \text{ V}$ , $V_{COM} = 3.0 \text{ V}$ , or $V_{NO}$ or $V_{NC} = 3.0 \text{ V}$ , $V_{COM} = 0.3 \text{ V}$ ,	See <a href="#">Figure 17</a>	25°C	3.6 V		-15	5	15	nA
				Full				-50	50	
$I_{NO(ON)}$ , $I_{NC(ON)}$	NC, NO ON leakage current	$V_{NO}$ or $V_{NC} = 0.3 \text{ V}$ , $V_{COM} = \text{Open}$ , or $V_{NO}$ or $V_{NC} = 3.0 \text{ V}$ , $V_{COM} = \text{Open}$ ,	See <a href="#">Figure 18</a>	25°C	3.6 V		-15	5	15	nA
				Full				-50	50	
$I_{COM(ON)}$	COM ON leakage current	$V_{NO}$ or $V_{NC} = \text{Open}$ , $V_{COM} = 0.3 \text{ V}$ , or $V_{NO}$ or $V_{NC} = \text{Open}$ , $V_{COM} = 3.0 \text{ V}$ ,	See <a href="#">Figure 18</a>	25°C	3.6 V		-15	5	15	nA
				Full				-50	50	
<b>DIGITAL CONTROL INPUTS (IN1-2, IN3-4)<sup>(2)</sup></b>										
$V_{IH}$	Input logic high			Full		1.25		4.3	V	
$V_{IL}$	Input logic low			Full		0		0.8	V	
$I_{IH}$ , $I_{IL}$	Input leakage current	$V_{IN} = 3.6 \text{ V}$ or 0		25°C	3.6 V		0.5	10	nA	
				Full				50		

(1) The algebraic convention, whereby the most negative value is a minimum and the most positive value is a maximum

(2) All unused digital inputs of the device must be held at  $V_{CC}$  or GND to ensure proper device operation. Refer to the TI application report, *Implications of Slow or Floating CMOS Inputs*, [SCBA004](#).

**Electrical Characteristics for 3.3-V Supply (continued)**
 $V_{CC} = 3\text{ V to }3.6\text{ V}$ ,  $T_A = -40^\circ\text{C to }85^\circ\text{C}$  (unless otherwise noted)<sup>(1)</sup>

PARAMETER	TEST CONDITIONS	$T_A$	$V_{CC}$	MIN	TYP	MAX	UNIT
<b>DYNAMIC</b>							
$t_{ON}$ Turn-on time	$V_{COM} = V_{CC}$ , $R_L = 50\ \Omega$ , $C_L = 35\text{ pF}$	25°C	3 V		20	38	ns
		Full	3 V to 3.6 V			40	
$t_{OFF}$ Turn-off time	$V_{COM} = V_{CC}$ , $R_L = 50\ \Omega$ , $C_L = 35\text{ pF}$	25°C	3 V		14	34	ns
		Full	3 V to 3.6 V			35	
$t_{BBM}$ Break-before-make time	$V_{NC} = V_{NO} = V_{CC}$ , $R_L = 50\ \Omega$ , $C_L = 35\text{ pF}$	25°C	3 V	3	11	35	ns
		Full	3 V to 3.6 V	2		55	
$Q_C$ Charge injection	$V_{GEN} = 0$ , $R_{GEN} = 0$ , $C_L = 1\text{ nF}$	25°C	3 V		109		pC
$C_{NC(OFF)}$ , $C_{NO(OFF)}$ NC, NO OFF capacitance	$V_{NC}$ or $V_{NO} = V_{CC}$ or GND, Switch OFF,	25°C	3 V		51		pF
$C_{NC(ON)}$ , $C_{NO(ON)}$ NC, NO ON capacitance	$V_{NC}$ or $V_{NO} = V_{CC}$ or GND, Switch OFF,	25°C	3 V		162		pF
$C_{COM(ON)}$ COM ON capacitance	$V_{COM} = V_{CC}$ or GND, Switch ON,	25°C	3 V		162		pF
$C_I$ Digital input capacitance	$V_I = V_{CC}$ or GND	25°C	3 V		2.5		pF
BW Bandwidth	$R_L = 50\ \Omega$ , Switch ON	25°C	3 V		35		MHz
$O_{ISO}$ OFF isolation	$R_L = 50\ \Omega$ , $f = 100\text{ kHz}$ , Switch OFF	25°C	3 V		-71		dB
$X_{TALK}$ Crosstalk	$R_L = 50\ \Omega$ , $f = 100\text{ kHz}$ , Switch ON	25°C	3 V		-73		dB
THD Total harmonic distortion	$R_L = 600\ \Omega$ , $C_L = 50\text{ pF}$ , $V_{COM} = \text{GND to } V_{CC}$ $f = 20\text{ Hz to } 20\text{ kHz}$	25°C	3 V		0.003%		
<b>SUPPLY</b>							
$I_{CC}$ Positive supply current	$V_I = V_{CC}$ or GND, Switch ON or OFF	25°C	3.6 V		0.015	0.2	$\mu\text{A}$
		Full				0.7	

**6.9 Electrical Characteristics for 4.3-V Supply**
 $T_A = -40^\circ\text{C to }85^\circ\text{C}$  (unless otherwise noted)<sup>(1)</sup>

PARAMETER	TEST CONDITIONS	$T_A$	$V_{CC}$	MIN	TYP	MAX	UNIT
<b>ANALOG SWITCH</b>							
$V_{COM}$ , $V_{NO}$ , $V_{NC}$ Analog signal range				0		$V_{CC}$	V
$R_{on}$ ON-state resistance	$V_{NO}$ or $V_{NC} = 2.5\text{ V}$ , $I_{COM} = -100\text{ mA}$ , Switch ON, See Figure 16	25°C	4.3 V		0.3	0.45	$\Omega$
		Full				0.5	
$\Delta R_{on}$ ON-state resistance match between channels	$V_{NO}$ or $V_{NC} = 2.5\text{ V}$ , $I_{COM} = -100\text{ mA}$ , Switch ON, See Figure 16	25°C	4.3 V		0.05	0.07	$\Omega$
		Full				0.1	
$R_{on(Flat)}$ ON-state resistance flatness	$V_{NO}$ or $V_{NC} = 1\text{ V}$ , $1.5\text{ V}$ , $2.5\text{ V}$ , $I_{COM} = -100\text{ mA}$ , Switch ON, See Figure 16	25°C	4.3 V		0.02	0.1	$\Omega$
		Full				0.1	

(1) The algebraic convention, whereby the most negative value is a minimum and the most positive value is a maximum

**Electrical Characteristics for 4.3-V Supply (continued)**
 $T_A = -40^\circ\text{C}$  to  $85^\circ\text{C}$  (unless otherwise noted)<sup>(1)</sup>

PARAMETER		TEST CONDITIONS		$T_A$	$V_{CC}$	MIN	TYP	MAX	UNIT
$I_{NO(OFF)}$ , $I_{NC(OFF)}$	NC, NO OFF leakage current	$V_{NO}$ or $V_{NC} = 0.3\text{ V}$ , $V_{COM} = 3.0\text{ V}$ , or $V_{NO}$ or $V_{NC} = 3.0\text{ V}$ , $V_{COM} = 0.3\text{ V}$ ,	See <a href="#">Figure 17</a>	25°C	4.3 V	-20	5	20	nA
				Full		-90		90	
$I_{NO(ON)}$ , $I_{NC(ON)}$	NC, NO ON leakage current	$V_{NO}$ or $V_{NC} = 0.3\text{ V}$ , $V_{COM} = \text{Open}$ , or $V_{NO}$ or $V_{NC} = 3.0\text{ V}$ , $V_{COM} = \text{Open}$ ,	See <a href="#">Figure 18</a>	25°C	4.3 V	-20	5	20	nA
				Full		-90		90	
$I_{COM(ON)}$	COM ON leakage current	$V_{NO}$ or $V_{NC} = \text{Open}$ , $V_{COM} = 0.3\text{ V}$ , or $V_{NO}$ or $V_{NC} = \text{Open}$ , $V_{COM} = 3.0\text{ V}$ ,	See <a href="#">Figure 18</a>	25°C	4.3 V	-20	5	20	nA
				Full		-90		90	
<b>DIGITAL CONTROL INPUTS (IN1-2, IN3-4)<sup>(2)</sup></b>									
$V_{IH}$	Input logic high			Full	4.3 V	1.5		4.3	V
$V_{IL}$	Input logic low			Full	4.3 V	0		1	V
$I_{IH}$ , $I_{IL}$	Input leakage current	$V_{IN} = 3.6\text{ V}$ or 0		25°C	4.3 V		0.5	10	nA
				Full				50	
<b>DYNAMIC</b>									
$t_{ON}$	Turn-on time	$V_{COM} = V_{CC}$ , $R_L = 50\ \Omega$ ,	$C_L = 35\text{ pF}$	25°C	4.3 V		17	23	ns
				Full				25	
$t_{OFF}$	Turn-off time	$V_{COM} = V_{CC}$ , $R_L = 50\ \Omega$ ,	$C_L = 35\text{ pF}$	25°C	4.3 V		12	32	ns
				Full				35	
$t_{BBM}$	Break-before-make time	$V_{NC} = V_{NO} = V_{CC}$ , $R_L = 50\ \Omega$ ,	$C_L = 35\text{ pF}$	25°C	4.3 V	2	9	30	ns
				Full		1		35	
$Q_C$	Charge injection	$V_{GEN} = 0$ , $R_{GEN} = 0$ ,	$C_L = 1\text{ nF}$	25°C	4.3 V		139		pC
$C_{NC(OFF)}$ , $C_{NO(OFF)}$	NC, NO off capacitance	$V_{NC}$ or $V_{NO} = V_{CC}$ or GND, Switch OFF,	See <a href="#">Figure 19</a>	25°C	4.3 V		50		pF
$C_{NC(ON)}$ , $C_{NO(ON)}$	NC, NO ON capacitance	$V_{NC}$ or $V_{NO} = V_{CC}$ or GND, Switch OFF,	See <a href="#">Figure 19</a>	25°C	4.3 V		160		pF
$C_{COM(ON)}$	COM ON capacitance	$V_{COM} = V_{CC}$ or GND, Switch ON,	See <a href="#">Figure 19</a>	25°C	4.3 V		160		pF
$C_I$	Digital input capacitance	$V_I = V_{CC}$ or GND		25°C	4.3 V		2.5		pF
BW	Bandwidth	$R_L = 50\ \Omega$ ,	Switch ON	25°C	4.3 V		35		MHz
$O_{ISO}$	OFF isolation	$R_L = 50\ \Omega$ , $f = 100\text{ kHz}$ ,	Switch OFF	25°C	4.3 V		-71		dB
$X_{TALK}$	Crosstalk	$R_L = 50\ \Omega$ , $f = 100\text{ kHz}$ ,	Switch ON	25°C	4.3 V		-73		dB
THD	Total harmonic distortion	$R_L = 600\ \Omega$ , $C_L = 50\text{ pF}$ , $V_{COM} = \text{GND}$ to $V_{CC}$	$f = 20\text{ Hz}$ to 20 kHz	25°C	4.3 V		0.003%		
<b>SUPPLY</b>									
$I_{CC}$	Positive supply current	$V_I = V_{CC}$ or GND,	Switch ON or OFF	25°C	4.3 V		0.15	0.4	$\mu\text{A}$
				Full				1.2	

(2) All unused digital inputs of the device must be held at  $V_{CC}$  or GND to ensure proper device operation. Refer to the TI application report, *Implications of Slow or Floating CMOS Inputs*, [SCBA004](#).

### 6.10 Typical Characteristics

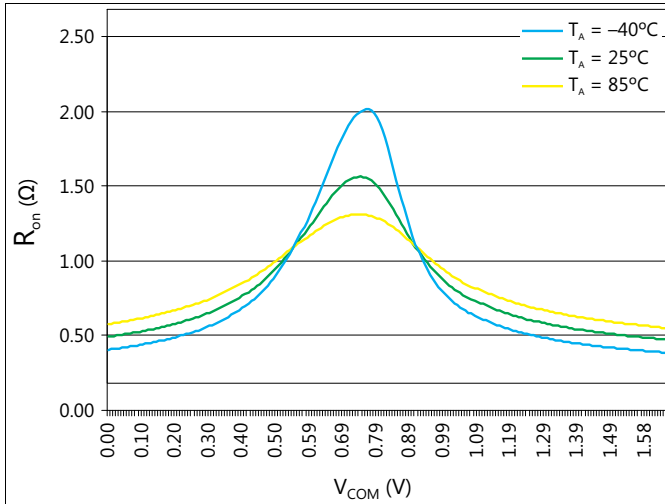


Figure 1.  $R_{on}$  vs  $V_{COM}$  ( $V_{CC} = 1.65$  V)

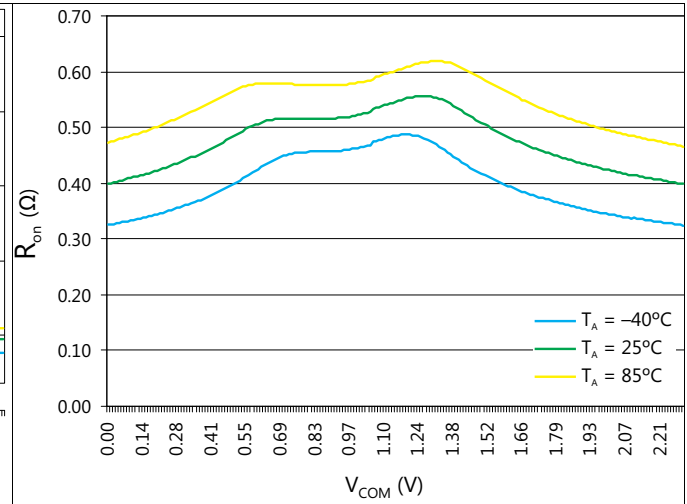


Figure 2.  $R_{on}$  vs  $V_{COM}$  ( $V_{CC} = 2.3$  V)

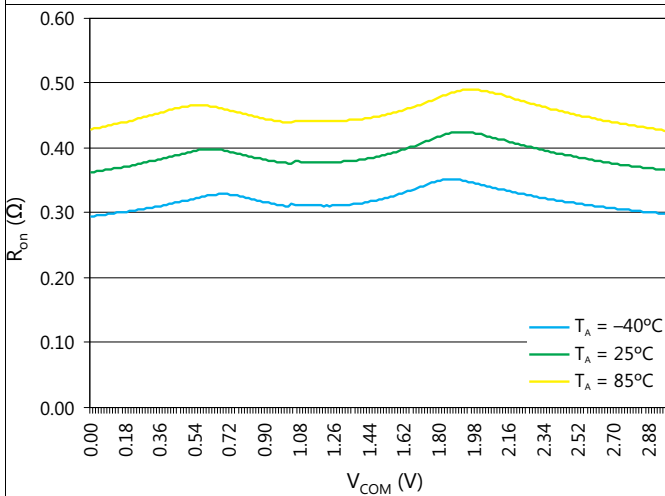


Figure 3.  $R_{on}$  vs  $V_{COM}$  ( $V_{CC} = 3$  V)

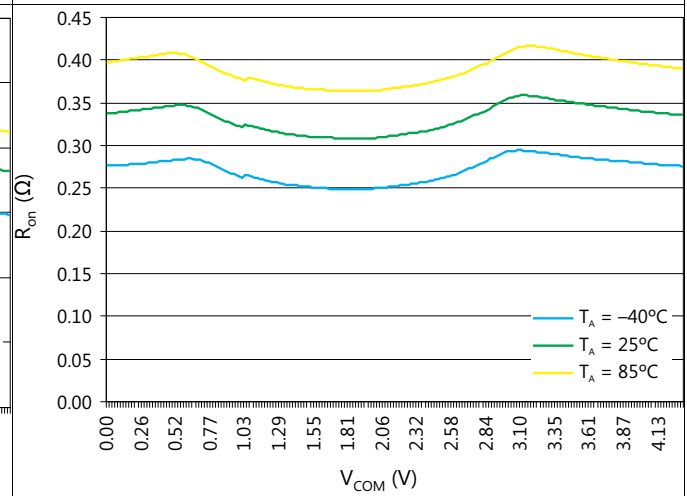


Figure 4.  $R_{on}$  vs  $V_{COM}$  ( $V_{CC} = 4.3$  V)

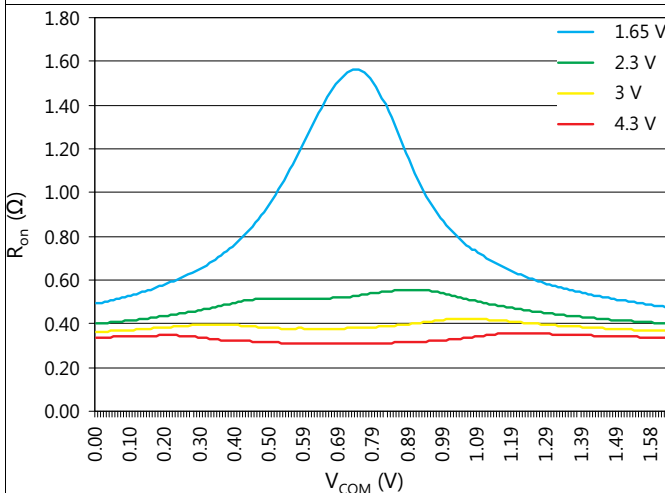


Figure 5.  $R_{on}$  vs  $V_{COM}$  (All Voltages)

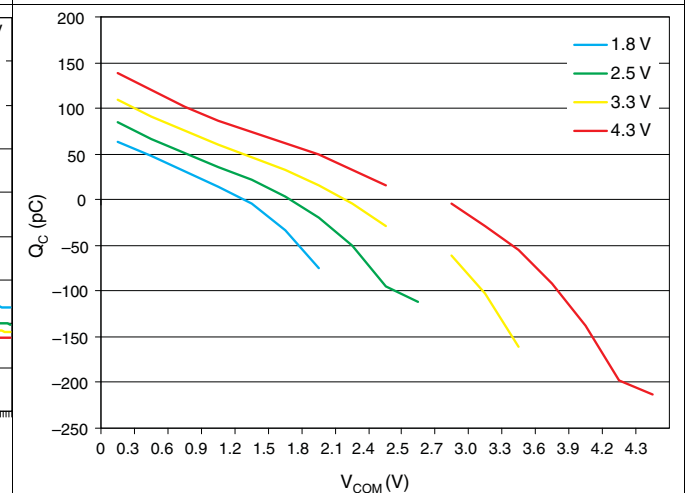
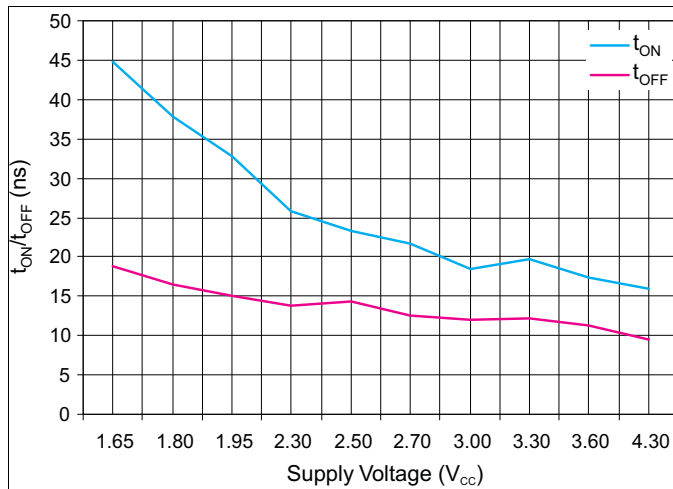
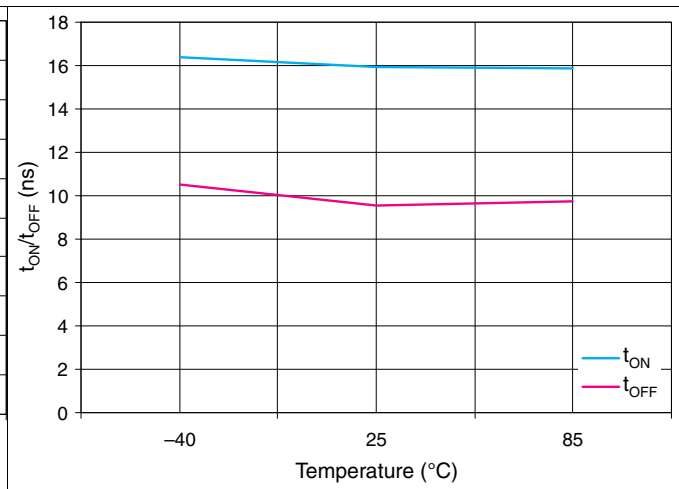


Figure 6. Charge Injection ( $Q_C$ ) vs  $V_{COM}$  ( $T_A = 25^\circ\text{C}$ )

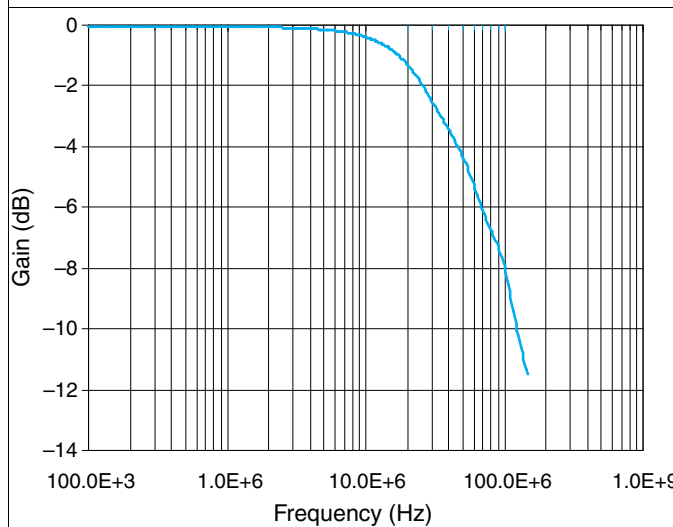
**Typical Characteristics (continued)**



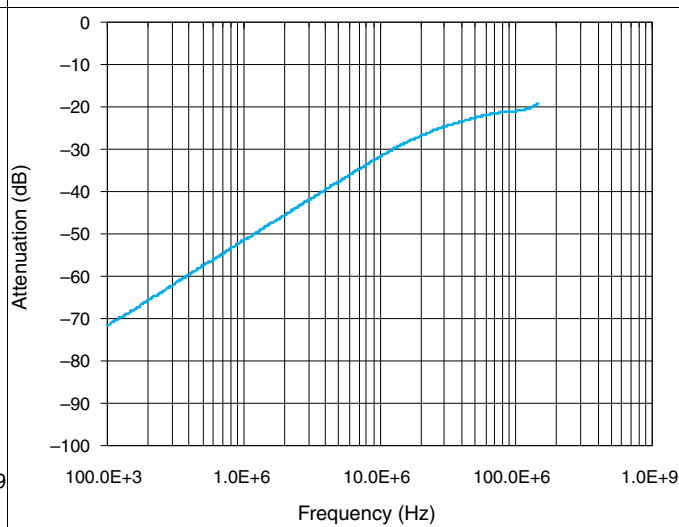
**Figure 7.  $t_{ON}$  and  $t_{OFF}$  vs Supply Voltage ( $T_A = 25^\circ\text{C}$ )**



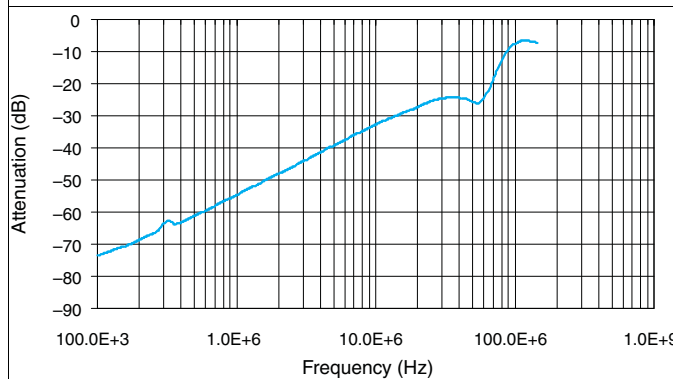
**Figure 8.  $t_{ON}$  and  $t_{OFF}$  vs Temperature ( $V_{CC} = 4.3\text{ V}$ )**



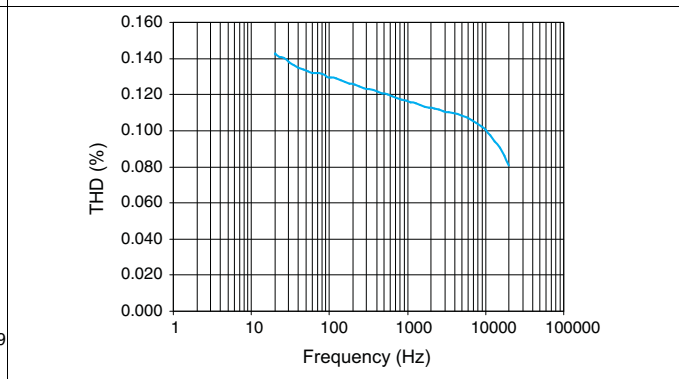
**Figure 9. Bandwidth**



**Figure 10. OFF Isolation**

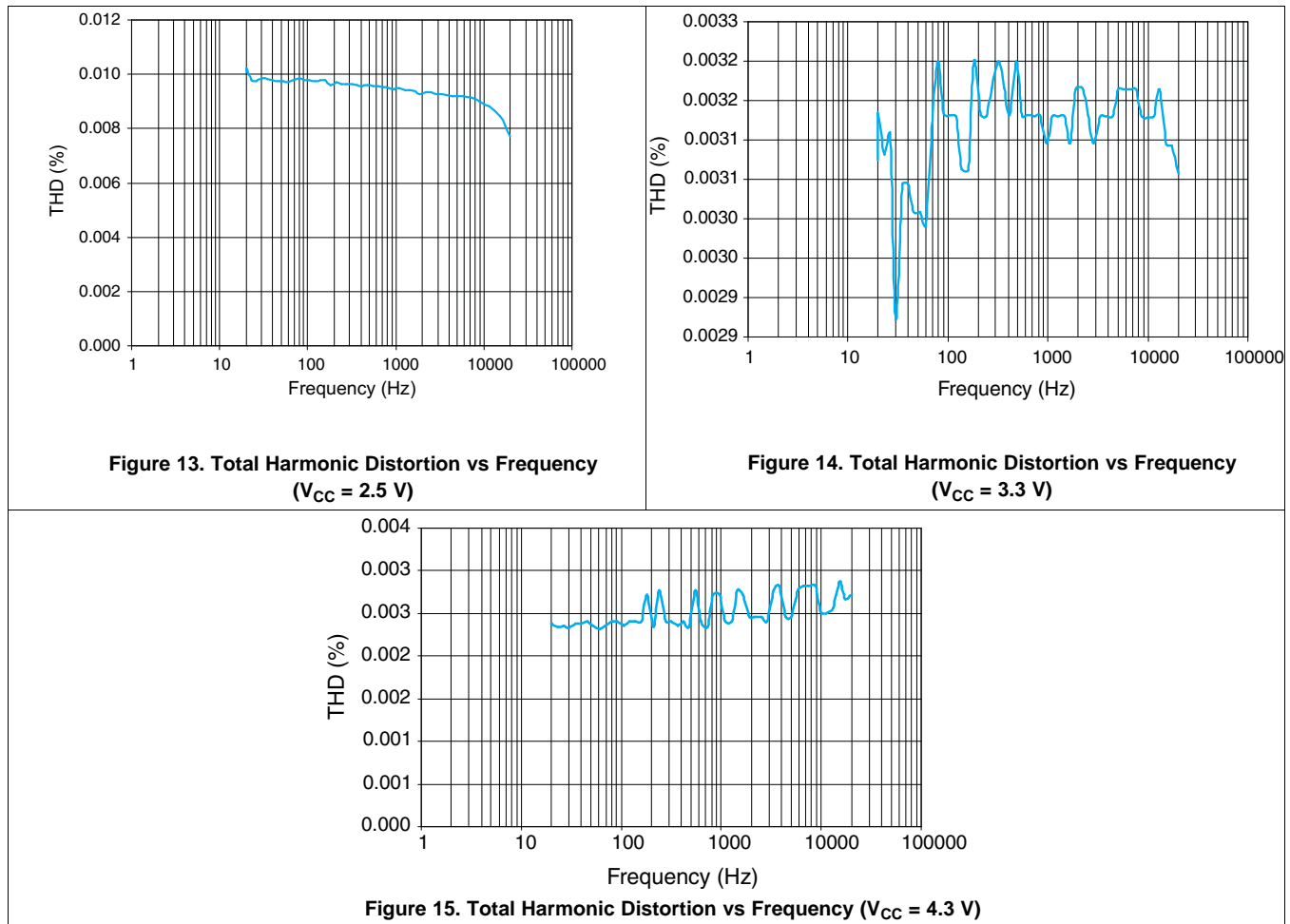


**Figure 11. Crosstalk**



**Figure 12. Total Harmonic Distortion vs Frequency ( $V_{CC} = 1.8\text{ V}$ )**

Typical Characteristics (continued)



## 7 Parameter Measurement Information

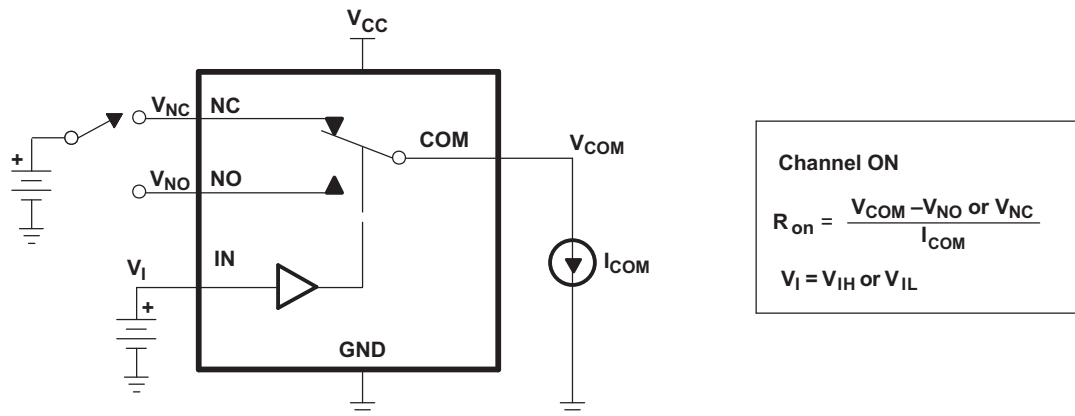


Figure 16. ON-state Resistance ( $R_{ON}$ )

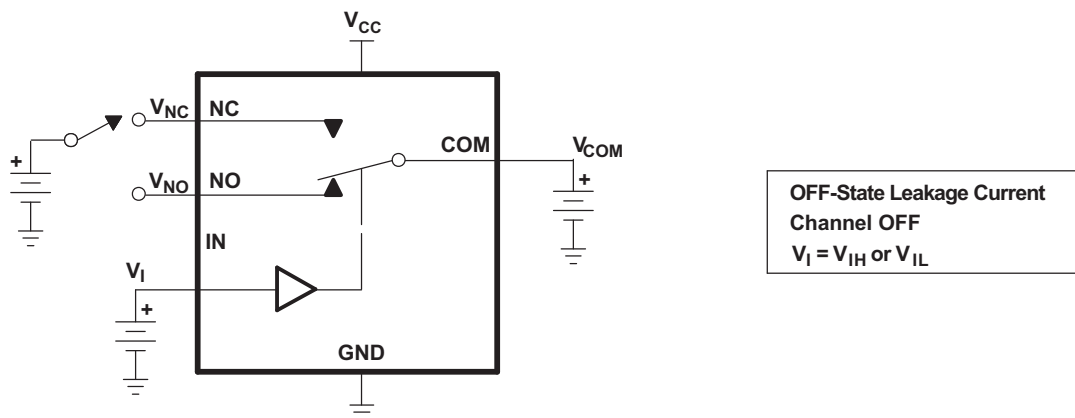


Figure 17. OFF-State Leakage Current ( $I_{NC(OFF)}$ ,  $I_{NC(PWROFF)}$ ,  $I_{NO(OFF)}$ ,  $I_{NO(PWROFF)}$ ,  $I_{COM(OFF)}$ ,  $I_{COM(PWROFF)}$ )

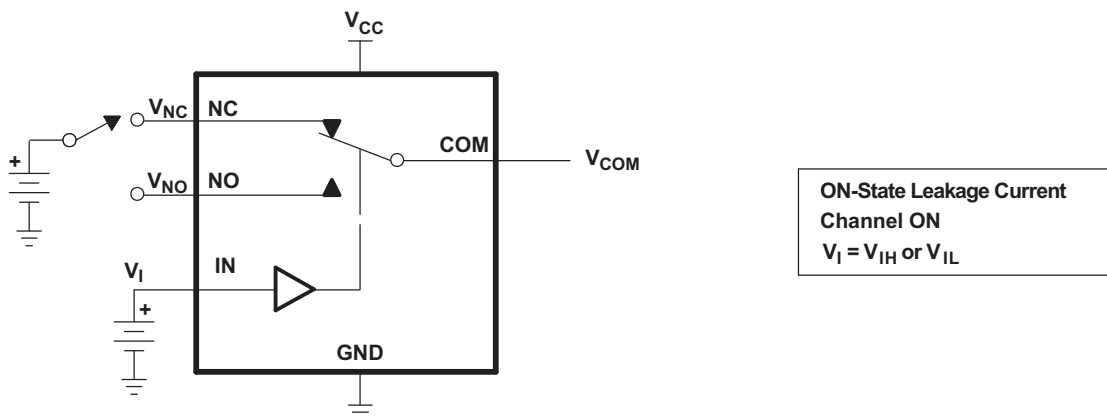


Figure 18. ON-State Leakage Current ( $I_{COM(ON)}$ ,  $I_{NC(ON)}$ ,  $I_{NO(ON)}$ )

Parameter Measurement Information (continued)

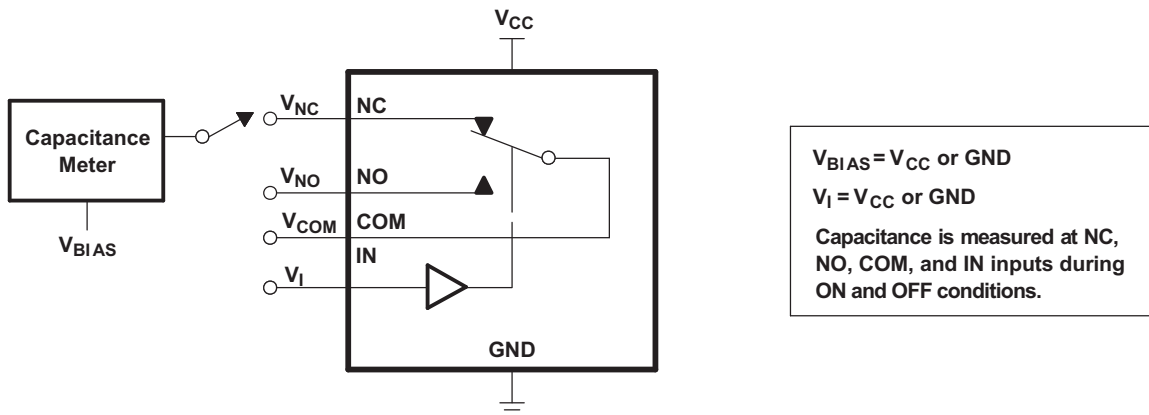
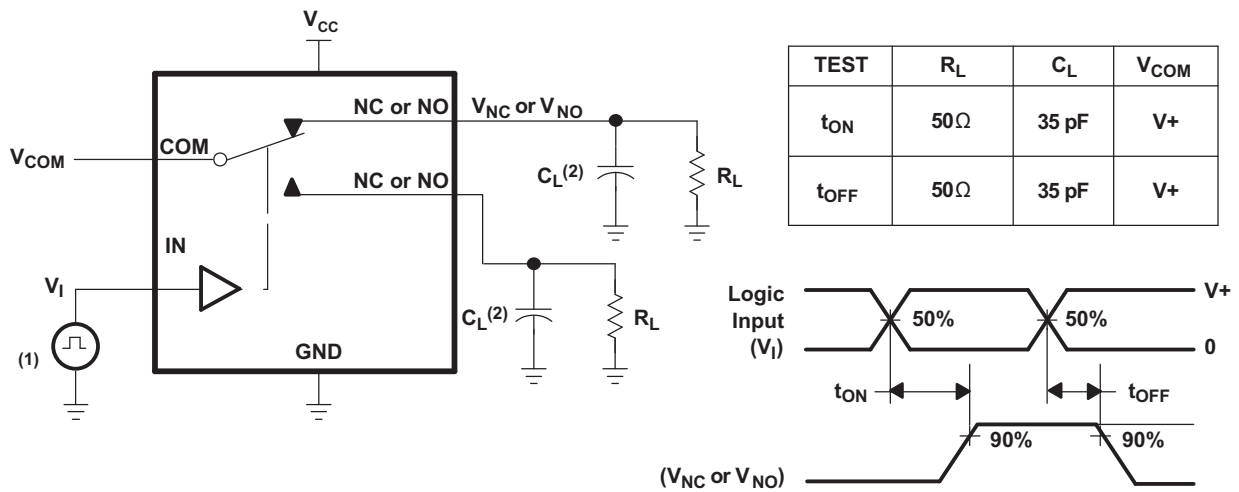


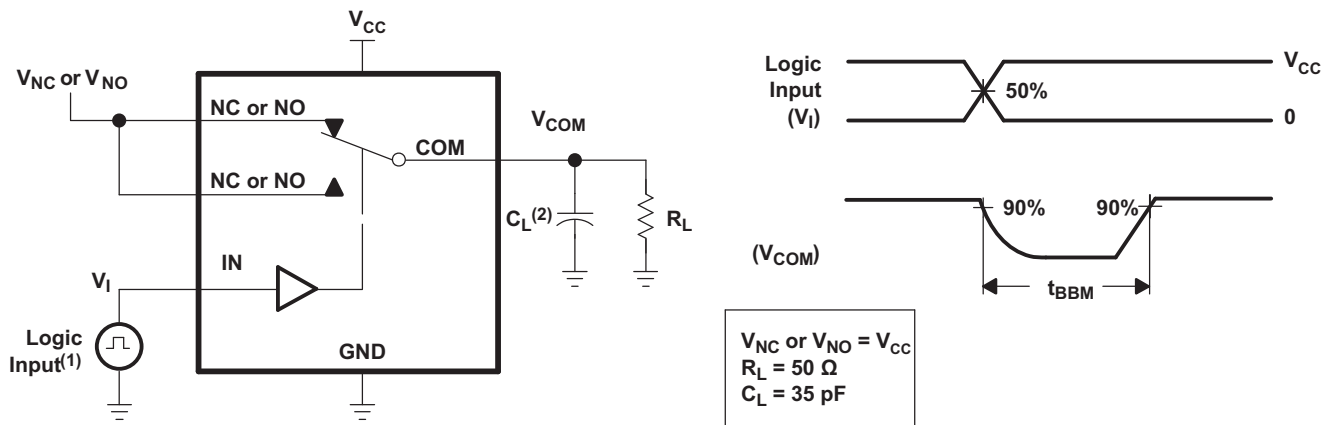
Figure 19. Capacitance ( $C_I$ ,  $C_{COM(ON)}$ ,  $C_{NC(OFF)}$ ,  $C_{NO(OFF)}$ ,  $C_{NC(ON)}$ ,  $C_{NO(ON)}$ )



- A. All input pulses are supplied by generators having the following characteristics:  
 $PRR \leq 10 \text{ MHz}$ ,  $Z_O = 50 \Omega$ ,  $t_r < 5 \text{ ns}$ ,  $t_f < 5 \text{ ns}$ .
- B.  $C_L$  includes probe and jig capacitance.

Figure 20. Turn-On ( $t_{ON}$ ) and Turn-Off Time ( $t_{OFF}$ )

Parameter Measurement Information (continued)



- A.  $C_L$  includes probe and jig capacitance.
- B. All input pulses are supplied by generators having the following characteristics:  
 $PRR \leq 10 \text{ MHz}$ ,  $Z_O = 50 \Omega$ ,  $t_r < 5 \text{ ns}$ ,  $t_f < 5 \text{ ns}$ .

Figure 21. Break-Before-Make Time ( $t_{BBM}$ )

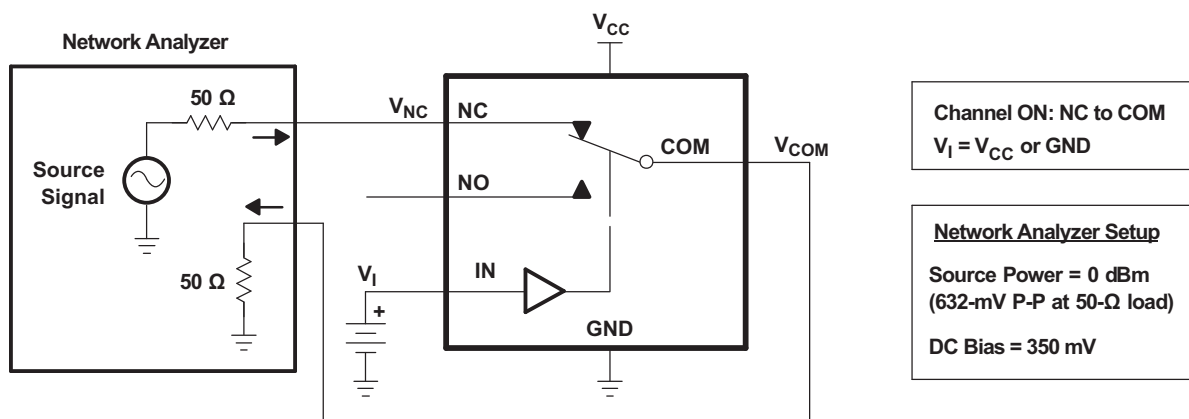


Figure 22. Bandwidth (BW)

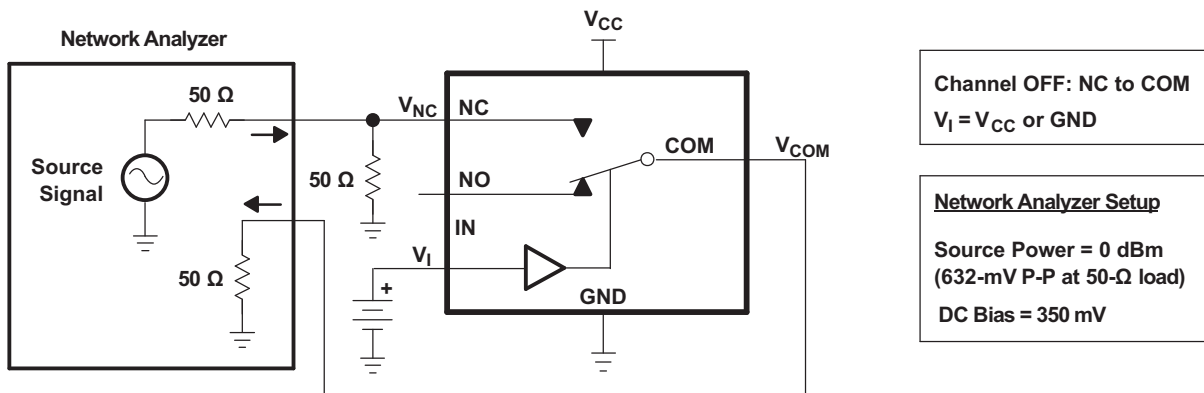


Figure 23. OFF Isolation ( $O_{ISO}$ )

Parameter Measurement Information (continued)

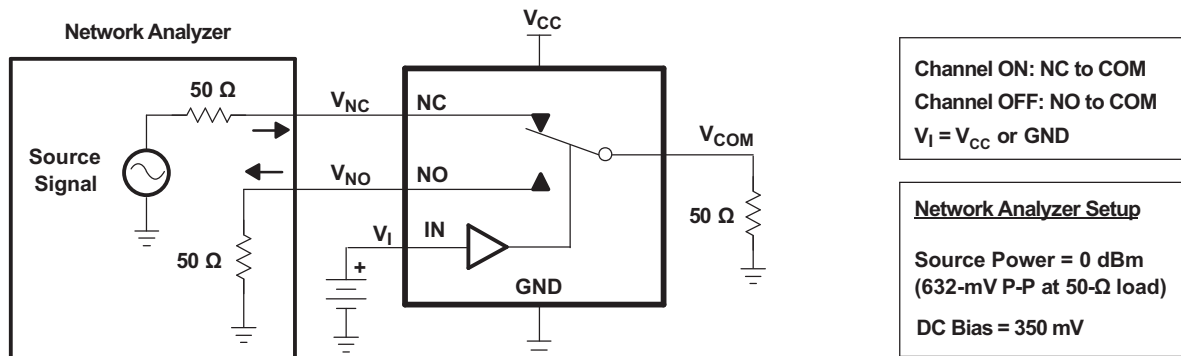
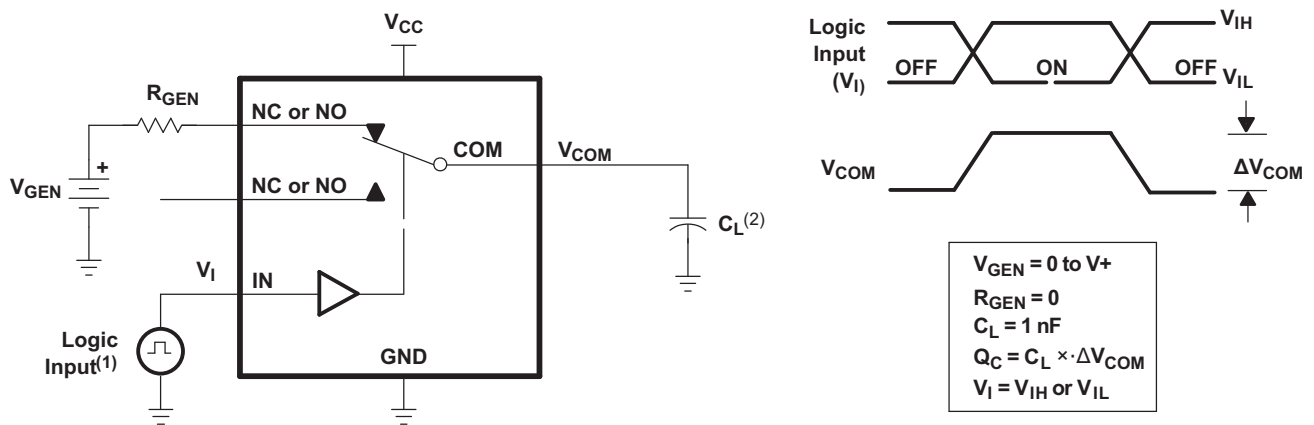


Figure 24. Crosstalk ( $X_{TALK}$ )

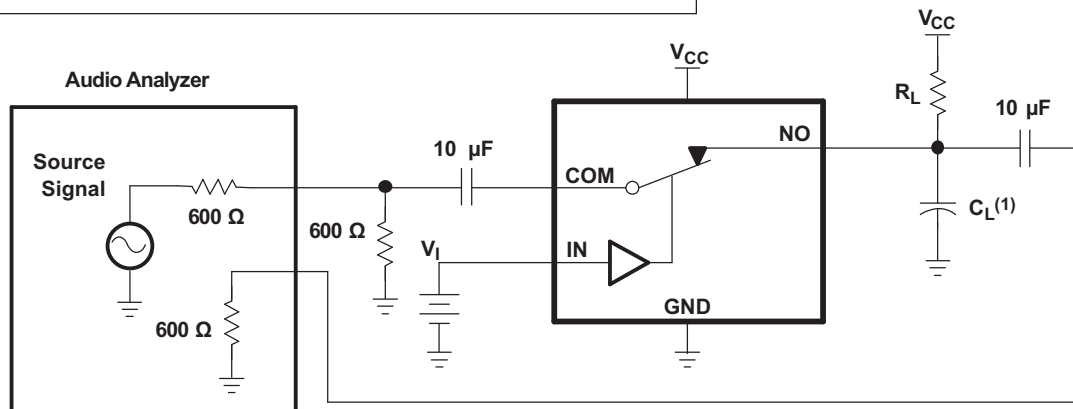


- A. All input pulses are supplied by generators having the following characteristics:  
 $PRR \leq 10$  MHz,  $Z_O = 50 \Omega$ ,  $t_r < 5$  ns,  $t_f < 5$  ns.
- B.  $C_L$  includes probe and jig capacitance.

Figure 25. Charge Injection ( $Q_C$ )

**Parameter Measurement Information (continued)**

Channel ON: COM to NO	$V_I = V_{IH}$ or $V_{IL}$	$R_L = 600$
$V_{SOURCE} = GND$ to $V_{CC}$	Source Signal = 20 Hz to 20 kHz	$C_L = 50$ pF



A.  $C_L$  includes probe and jig capacitance.

**Figure 26. Total Harmonic Distortion (THD)**

## 8 Detailed Description

### 8.1 Overview

The TS3A44159 is a bidirectional 4-channel single-pole double-throw (SPDT) analog switch with two control inputs, which is designed to operate from 1.65 V to 4.3 V. This device is also known as a 2-channel, double-pole, double-throw (DPDT) configuration. It offers low ON-state resistance and excellent ON-state resistance matching with the break-before-make feature that prevents signal distortion during the transferring of a signal from one channel to another. The device has an excellent total harmonic distortion (THD) performance and consumes very low power. These features make this device suitable for portable audio applications.

### 8.2 Functional Block Diagram

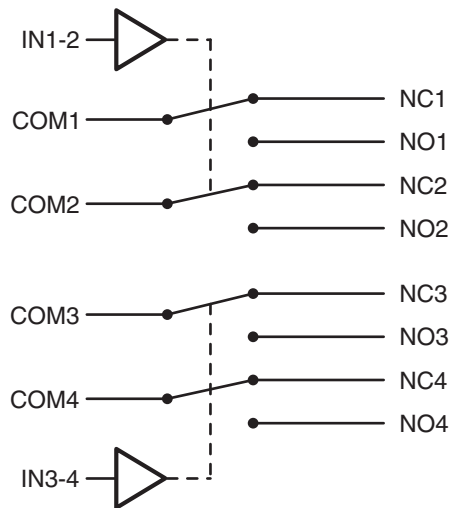


Figure 27. Logic Diagram

### 8.3 Feature Description

The TS3A44159 is a bidirectional device that has two sets of two single-pole double-throw switches. The four channels of the switch are controlled by two digital signals; one digital control for each set of two single-pole double-throw switches.

### 8.4 Device Functional Modes

Table 1. Function Table

IN	NC TO COM, COM TO NC	NO TO COM, COM TO NO
L	ON	OFF
H	OFF	ON

## 9 Application and Implementation

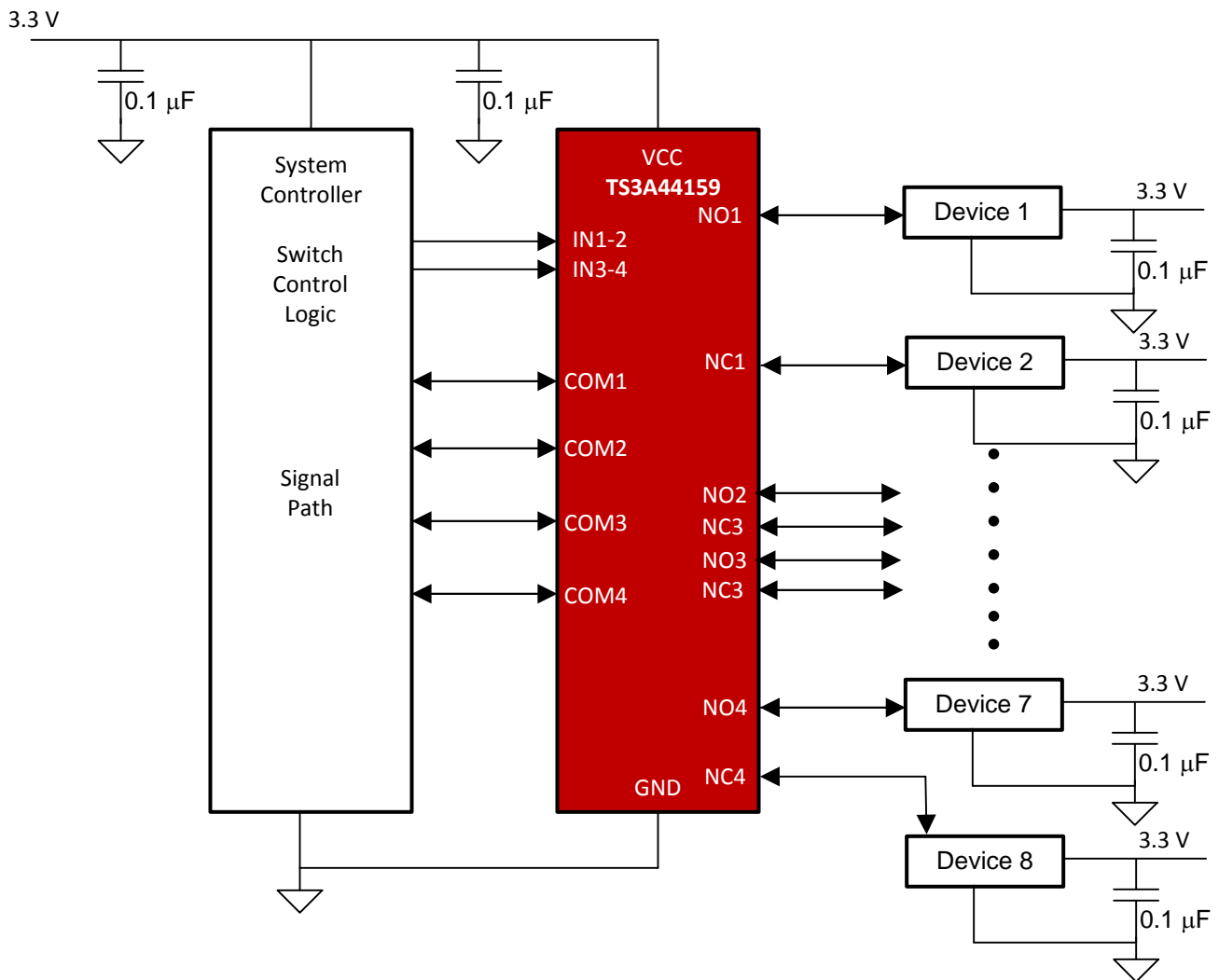
### NOTE

Information in the following applications sections is not part of the TI component specification, and TI does not warrant its accuracy or completeness. TI's customers are responsible for determining suitability of components for their purposes. Customers should validate and test their design implementation to confirm system functionality.

### 9.1 Application Information

The switches are bidirectional, so the NO, NC, and COM pins can be used as either inputs or outputs.

### 9.2 Typical Application



**Figure 28. Typical Application Diagram**

#### 9.2.1 Design Requirements

Ensure that all of the signals passing through the switch are within the specified ranges to ensure proper performance.

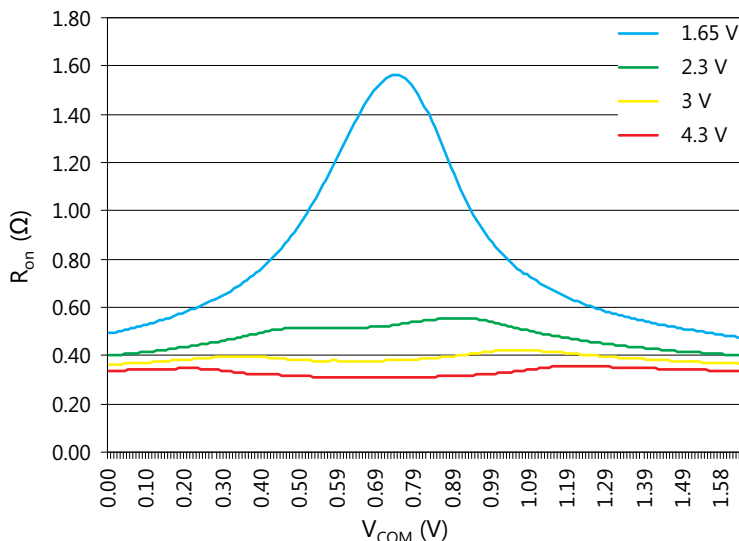
**Table 2. Design Parameters**

DESIGN PARAMETERS	EXAMPLE VALUES
Analog Voltage	4.3 V
Digital Input Voltage	4.3 V

**9.2.2 Detailed Design Procedure**

The TS3A44159 can be properly operated without any external components. However, TI recommends to connect unused pins to the ground through a 50-Ω resistor to prevent signal reflections back into the device. TI also recommends that the digital control pins (INX) be pulled up to VCC or down to GND to avoid undesired switch positions that could result from the floating pin.

**9.2.3 Application Curve**



**Figure 29. R<sub>on</sub> vs V<sub>COM</sub> (All Voltages)**

## 10 Power Supply Recommendations

Proper power-supply sequencing is recommended for all CMOS devices. Do not exceed the absolute maximum ratings, because stresses beyond the listed ratings can cause permanent damage to the device. Always sequence  $V_{CC}$  on first, followed by NO, NC, or COM. Although it is not required, power-supply bypassing improves noise margin and prevents switching noise propagation from the  $V_{CC}$  supply to other components. A 0.1- $\mu\text{F}$  capacitor, connected from  $V_{CC}$  to GND, is adequate for most applications.

## 11 Layout

### 11.1 Layout Guidelines

High-speed switches require proper layout and design procedures for optimum performance. Reduce stray inductance and capacitance by keeping traces short and wide. Ensure that bypass capacitors are as close to the device as possible. Use large ground planes where possible.

### 11.2 Layout Example

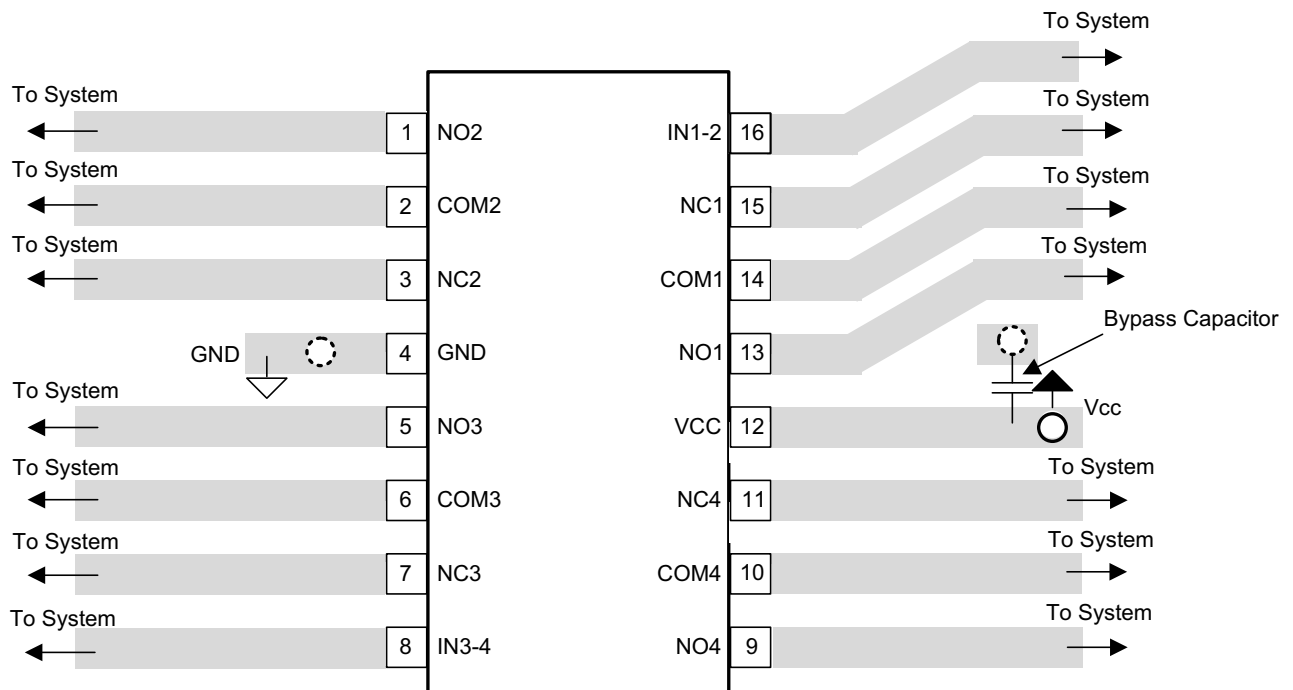
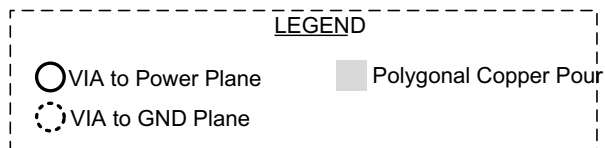


Figure 30. PCB Layout Example

## 12 Device and Documentation Support

### 12.1 Trademarks

All trademarks are the property of their respective owners.

### 12.2 Electrostatic Discharge Caution



These devices have limited built-in ESD protection. The leads should be shorted together or the device placed in conductive foam during storage or handling to prevent electrostatic damage to the MOS gates.

### 12.3 Glossary

[SLYZ022](#) — *TI Glossary*.

This glossary lists and explains terms, acronyms, and definitions.

## 13 Mechanical, Packaging, and Orderable Information

The following pages include mechanical, packaging, and orderable information. This information is the most current data available for the designated devices. This data is subject to change without notice and revision of this document. For browser-based versions of this data sheet, refer to the left-hand navigation.

**PACKAGING INFORMATION**

Orderable Device	Status (1)	Package Type	Package Drawing	Pins	Package Qty	Eco Plan (2)	Lead finish/ Ball material (6)	MSL Peak Temp (3)	Op Temp (°C)	Device Marking (4/5)	Samples
TS3A44159PWR	ACTIVE	TSSOP	PW	16	2000	RoHS & Green	NIPDAU	Level-1-260C-UNLIM	-40 to 85	YC4159	<a href="#">Samples</a>
TS3A44159PWRG4	ACTIVE	TSSOP	PW	16	2000	RoHS & Green	NIPDAU	Level-1-260C-UNLIM	-40 to 85	YC4159	<a href="#">Samples</a>
TS3A44159RGTR	ACTIVE	VQFN	RGT	16	3000	RoHS & Green	NIPDAU	Level-1-260C-UNLIM	-40 to 85	ZWH	<a href="#">Samples</a>
TS3A44159RGTRG4	ACTIVE	VQFN	RGT	16	3000	RoHS & Green	NIPDAU	Level-1-260C-UNLIM	-40 to 85	ZWH	<a href="#">Samples</a>
TS3A44159RSVR	ACTIVE	UQFN	RSV	16	3000	RoHS & Green	NIPDAU   NIPDAUAG	Level-1-260C-UNLIM	-40 to 85	ZWH	<a href="#">Samples</a>
TS3A44159RSVRG4	ACTIVE	UQFN	RSV	16	3000	RoHS & Green	NIPDAU	Level-1-260C-UNLIM	-40 to 85	ZWH	<a href="#">Samples</a>

(1) The marketing status values are defined as follows:

**ACTIVE:** Product device recommended for new designs.

**LIFEBUY:** TI has announced that the device will be discontinued, and a lifetime-buy period is in effect.

**NRND:** Not recommended for new designs. Device is in production to support existing customers, but TI does not recommend using this part in a new design.

**PREVIEW:** Device has been announced but is not in production. Samples may or may not be available.

**OBSOLETE:** TI has discontinued the production of the device.

(2) **RoHS:** TI defines "RoHS" to mean semiconductor products that are compliant with the current EU RoHS requirements for all 10 RoHS substances, including the requirement that RoHS substance do not exceed 0.1% by weight in homogeneous materials. Where designed to be soldered at high temperatures, "RoHS" products are suitable for use in specified lead-free processes. TI may reference these types of products as "Pb-Free".

**RoHS Exempt:** TI defines "RoHS Exempt" to mean products that contain lead but are compliant with EU RoHS pursuant to a specific EU RoHS exemption.

**Green:** TI defines "Green" to mean the content of Chlorine (Cl) and Bromine (Br) based flame retardants meet JS709B low halogen requirements of <=1000ppm threshold. Antimony trioxide based flame retardants must also meet the <=1000ppm threshold requirement.

(3) MSL, Peak Temp. - The Moisture Sensitivity Level rating according to the JEDEC industry standard classifications, and peak solder temperature.

(4) There may be additional marking, which relates to the logo, the lot trace code information, or the environmental category on the device.

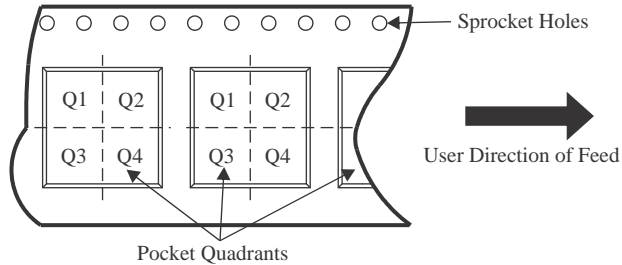
(5) Multiple Device Markings will be inside parentheses. Only one Device Marking contained in parentheses and separated by a "~" will appear on a device. If a line is indented then it is a continuation of the previous line and the two combined represent the entire Device Marking for that device.

(6) Lead finish/Ball material - Orderable Devices may have multiple material finish options. Finish options are separated by a vertical ruled line. Lead finish/Ball material values may wrap to two lines if the finish value exceeds the maximum column width.

**Important Information and Disclaimer:** The information provided on this page represents TI's knowledge and belief as of the date that it is provided. TI bases its knowledge and belief on information provided by third parties, and makes no representation or warranty as to the accuracy of such information. Efforts are underway to better integrate information from third parties. TI has taken and continues to take reasonable steps to provide representative and accurate information but may not have conducted destructive testing or chemical analysis on incoming materials and chemicals. TI and TI suppliers consider certain information to be proprietary, and thus CAS numbers and other limited information may not be available for release.

In no event shall TI's liability arising out of such information exceed the total purchase price of the TI part(s) at issue in this document sold by TI to Customer on an annual basis.

**TAPE AND REEL INFORMATION**

**QUADRANT ASSIGNMENTS FOR PIN 1 ORIENTATION IN TAPE**


\*All dimensions are nominal

Device	Package Type	Package Drawing	Pins	SPQ	Reel Diameter (mm)	Reel Width W1 (mm)	A0 (mm)	B0 (mm)	K0 (mm)	P1 (mm)	W (mm)	Pin1 Quadrant
TS3A44159PWR	TSSOP	PW	16	2000	330.0	12.4	6.9	5.6	1.6	8.0	12.0	Q1
TS3A44159RGTR	VQFN	RGT	16	3000	330.0	12.4	3.3	3.3	1.0	8.0	12.0	Q2
TS3A44159RSVR	UQFN	RSV	16	3000	177.8	12.4	2.0	2.8	0.7	4.0	12.0	Q1
TS3A44159RSVR	UQFN	RSV	16	3000	180.0	12.4	2.1	2.9	0.75	4.0	12.0	Q1

**TAPE AND REEL BOX DIMENSIONS**


\*All dimensions are nominal

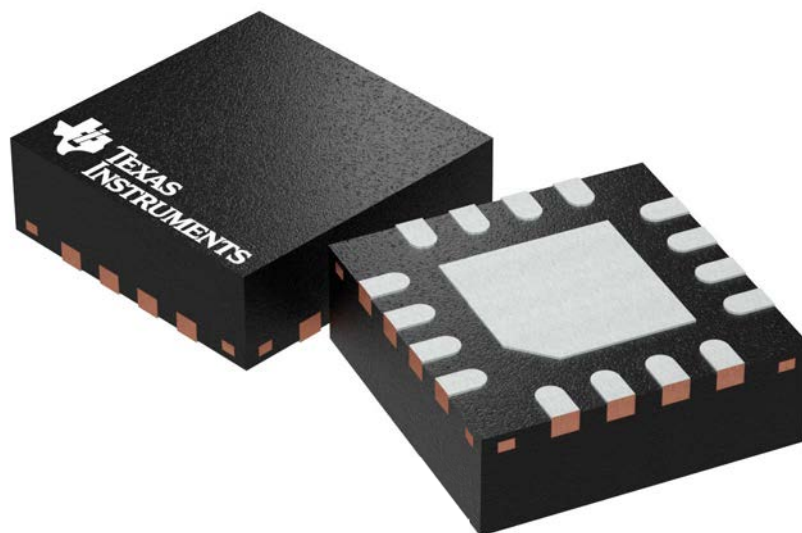
Device	Package Type	Package Drawing	Pins	SPQ	Length (mm)	Width (mm)	Height (mm)
TS3A44159PWR	TSSOP	PW	16	2000	356.0	356.0	35.0
TS3A44159RGTR	VQFN	RGT	16	3000	346.0	346.0	35.0
TS3A44159RSVR	UQFN	RSV	16	3000	202.0	201.0	28.0
TS3A44159RSVR	UQFN	RSV	16	3000	200.0	183.0	25.0

**RGT 16**

**GENERIC PACKAGE VIEW**

**VQFN - 1 mm max height**

PLASTIC QUAD FLATPACK - NO LEAD



Images above are just a representation of the package family, actual package may vary.  
Refer to the product data sheet for package details.

4203495/1



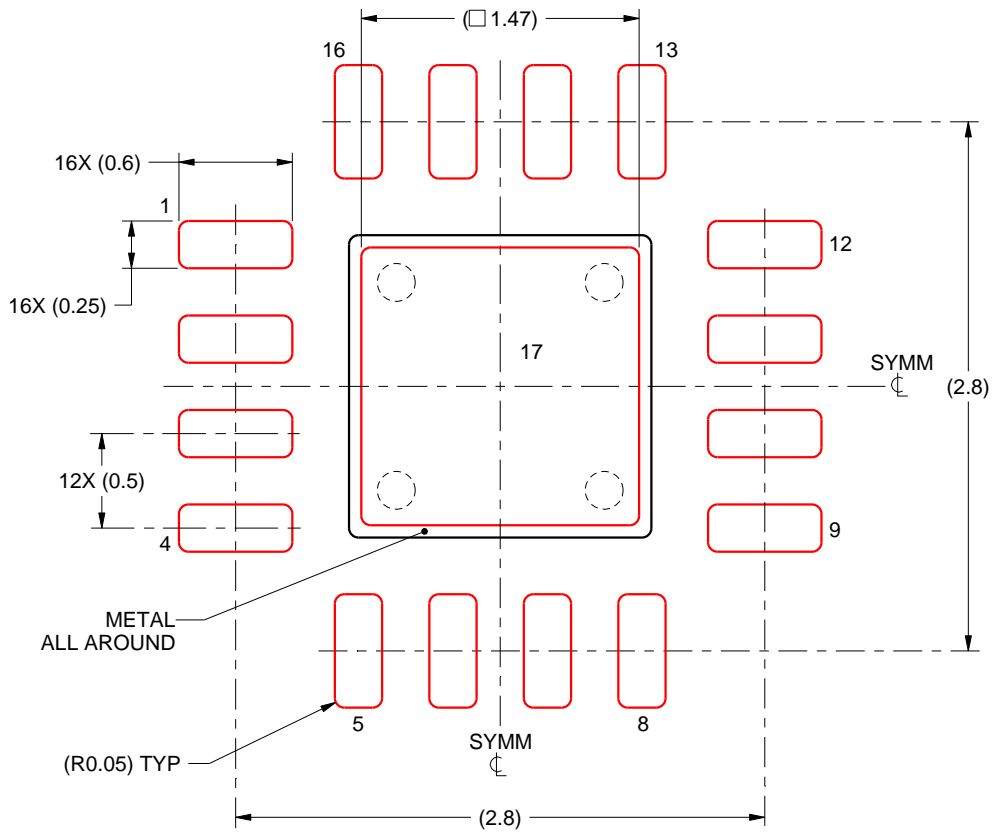


# EXAMPLE STENCIL DESIGN

RGT0016B

VQFN - 1 mm max height

PLASTIC QUAD FLATPACK - NO LEAD



**SOLDER PASTE EXAMPLE**  
BASED ON 0.125 mm THICK STENCIL

EXPOSED PAD 17:  
84% PRINTED SOLDER COVERAGE BY AREA UNDER PACKAGE  
SCALE:25X

4219033/A 08/2016

NOTES: (continued)

6. Laser cutting apertures with trapezoidal walls and rounded corners may offer better paste release. IPC-7525 may have alternate design recommendations.

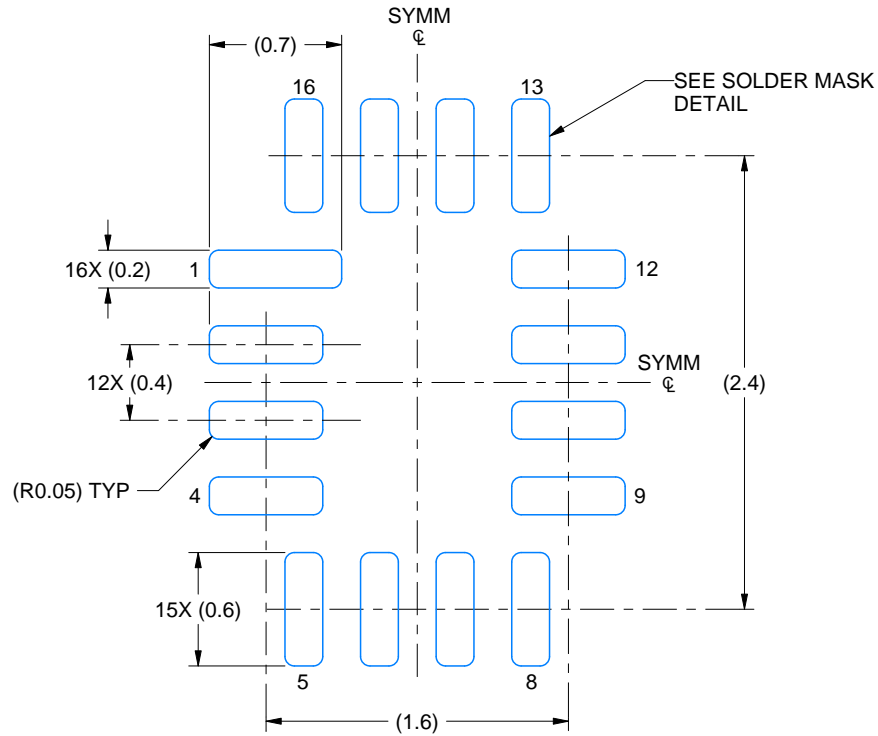


# EXAMPLE BOARD LAYOUT

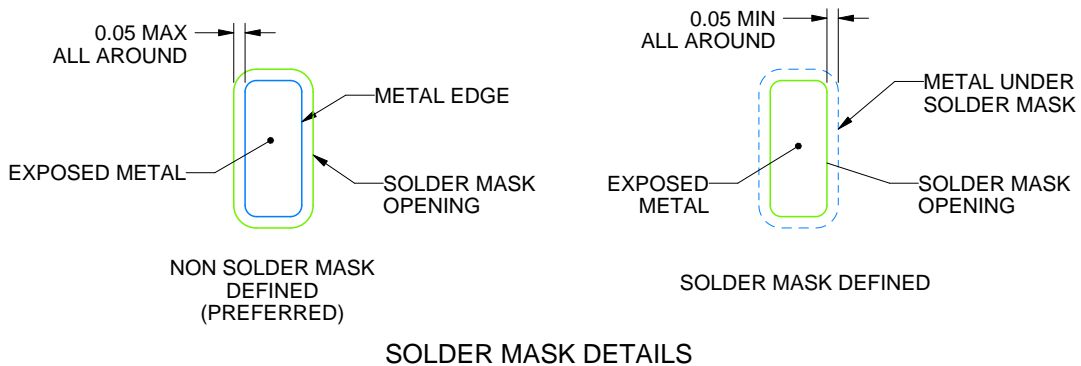
RSV0016A

UQFN - 0.55 mm max height

ULTRA THIN QUAD FLATPACK - NO LEAD



LAND PATTERN EXAMPLE  
EXPOSED METAL SHOWN  
SCALE: 25X



4220314/C 02/2020

NOTES: (continued)

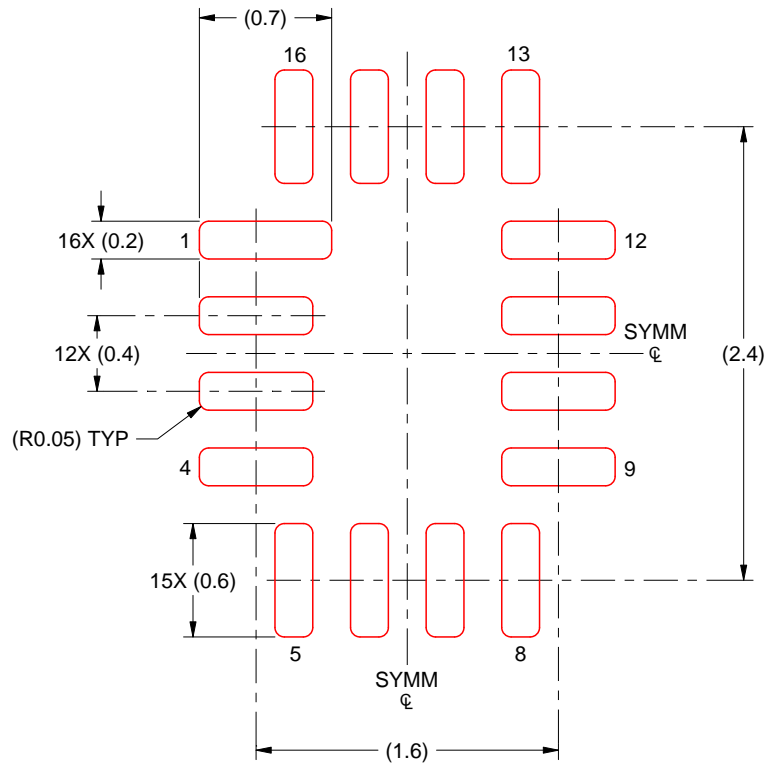
3. For more information, see Texas Instruments literature number SLUA271 ([www.ti.com/lit/slua271](http://www.ti.com/lit/slua271)).

# EXAMPLE STENCIL DESIGN

RSV0016A

UQFN - 0.55 mm max height

ULTRA THIN QUAD FLATPACK - NO LEAD



SOLDER PASTE EXAMPLE  
BASED ON 0.125 MM THICK STENCIL  
SCALE: 25X

4220314/C 02/2020

NOTES: (continued)

4. Laser cutting apertures with trapezoidal walls and rounded corners may offer better paste release. IPC-7525 may have alternate design recommendations.



4220204/A 02/2017

NOTES:

1. All linear dimensions are in millimeters. Any dimensions in parenthesis are for reference only. Dimensioning and tolerancing per ASME Y14.5M.
2. This drawing is subject to change without notice.
3. This dimension does not include mold flash, protrusions, or gate burrs. Mold flash, protrusions, or gate burrs shall not exceed 0.15 mm per side.
4. This dimension does not include interlead flash. Interlead flash shall not exceed 0.25 mm per side.
5. Reference JEDEC registration MO-153.

# EXAMPLE BOARD LAYOUT

PW0016A

TSSOP - 1.2 mm max height

SMALL OUTLINE PACKAGE



LAND PATTERN EXAMPLE  
EXPOSED METAL SHOWN  
SCALE: 10X



4220204/A 02/2017

NOTES: (continued)

- 6. Publication IPC-7351 may have alternate designs.
- 7. Solder mask tolerances between and around signal pads can vary based on board fabrication site.

# EXAMPLE STENCIL DESIGN

PW0016A

TSSOP - 1.2 mm max height

SMALL OUTLINE PACKAGE



SOLDER PASTE EXAMPLE  
BASED ON 0.125 mm THICK STENCIL  
SCALE: 10X

4220204/A 02/2017

NOTES: (continued)

8. Laser cutting apertures with trapezoidal walls and rounded corners may offer better paste release. IPC-7525 may have alternate design recommendations.
9. Board assembly site may have different recommendations for stencil design.

## IMPORTANT NOTICE AND DISCLAIMER

TI PROVIDES TECHNICAL AND RELIABILITY DATA (INCLUDING DATA SHEETS), DESIGN RESOURCES (INCLUDING REFERENCE DESIGNS), APPLICATION OR OTHER DESIGN ADVICE, WEB TOOLS, SAFETY INFORMATION, AND OTHER RESOURCES "AS IS" AND WITH ALL FAULTS, AND DISCLAIMS ALL WARRANTIES, EXPRESS AND IMPLIED, INCLUDING WITHOUT LIMITATION ANY IMPLIED WARRANTIES OF MERCHANTABILITY, FITNESS FOR A PARTICULAR PURPOSE OR NON-INFRINGEMENT OF THIRD PARTY INTELLECTUAL PROPERTY RIGHTS.

These resources are intended for skilled developers designing with TI products. You are solely responsible for (1) selecting the appropriate TI products for your application, (2) designing, validating and testing your application, and (3) ensuring your application meets applicable standards, and any other safety, security, regulatory or other requirements.

These resources are subject to change without notice. TI grants you permission to use these resources only for development of an application that uses the TI products described in the resource. Other reproduction and display of these resources is prohibited. No license is granted to any other TI intellectual property right or to any third party intellectual property right. TI disclaims responsibility for, and you will fully indemnify TI and its representatives against, any claims, damages, costs, losses, and liabilities arising out of your use of these resources.

TI's products are provided subject to [TI's Terms of Sale](#) or other applicable terms available either on [ti.com](http://ti.com) or provided in conjunction with such TI products. TI's provision of these resources does not expand or otherwise alter TI's applicable warranties or warranty disclaimers for TI products.

TI objects to and rejects any additional or different terms you may have proposed.

Mailing Address: Texas Instruments, Post Office Box 655303, Dallas, Texas 75265  
Copyright © 2022, Texas Instruments Incorporated

## Looking for pricing, stock, or lifecycle information?

Click below to explore more details on WIN SOURCE:

 [View TS3A44159PWR on WIN SOURCE](#)

 [Texas Instruments](#) Information

## Optimize Your Supply Chain with WIN SOURCE Solutions

-  Global Sourcing Solution
-  Obsolete Management
-  Cost Control Management
-  Shortage Management
-  Alternative Solution
-  Excess Inventory Management