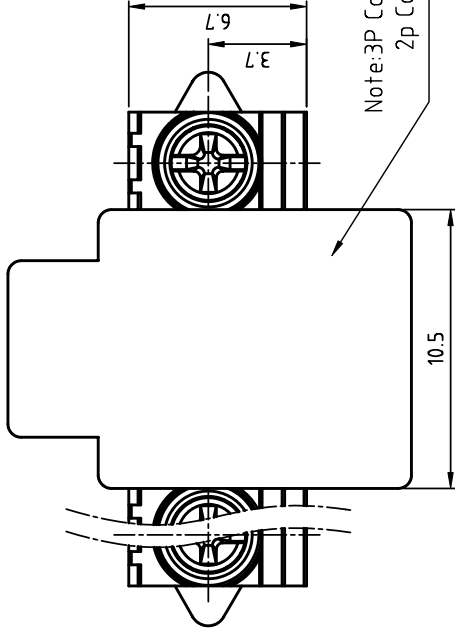




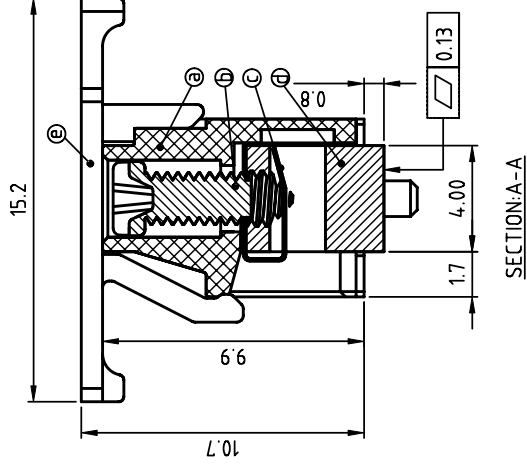
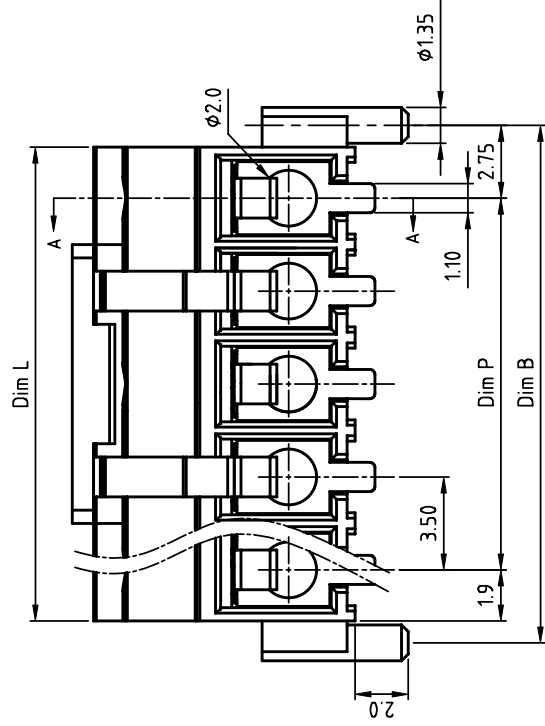
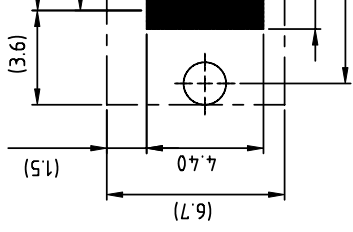
THE DATASHEET OF 91001B



PRODUCT NUMBER	PITCH
ECxx10x1B0J0G	3.50 mm



Note: 3P Cover for odd poles
2p Cover for even poles



SECTION:A-A

- Materials:
- Item ① Te
 - Item ② Te
 - Item ③ Wi
 - Item ④ Te
 - Item ⑤ Te
- Electrical
- Voltage rating
 - Current rating
 - Wire range
 - Solid wire
 - Stranded wire
 - Torque (Lb. In)
 - Screw: M2
 - Wire strip
 - Withstand
 - Operating
 - Reflow Solder
 - Safety Approval

N=Number of poles
 Dim L=Nx3.5+0.35
 Dim P=(N-1)x3.5
 Dim B=(N-1)x3.5+5.5

Poles	Dim L	Dim P	Dim B
2-6p	±0.25	±0.20	±0.20
7-12p	±0.30	±0.25	±0.25
13-16p	±0.35	±0.30	±0.30

PART NO.: EC xx 10 x 1 B0J0 G

Solid block
 02 2 POLES 0
 03 3 POLES
 ...
 16 16 POLES

Body Color
 Black (RAL9005)

RoHS compliant
 (lead<4%)
 In copper Alloy

mat'l. code	itr	ecn	no	dr	date	surface	tolerances unless otherwise specified
						ASME Y14.5	
						angles	
						X±1°	
						dr	EVIN ZHONG
						engr	EVIN ZHONG
						chr	HANKE FEN
						appd	SHI JUN
sheet index	revision	sheet	sheet	A	1		

form: A4mmXc



1

2

PDS: Rev

Looking for pricing, stock, or lifecycle information?

Click below to explore more details on WIN SOURCE:

-  [View 91001B on WIN SOURCE](#)
-  [Amphenol FCI Information](#)

Optimize Your Supply Chain with WIN SOURCE Solutions

-  Global Sourcing Solution
-  Obsolete Management
-  Cost Control Management
-  Shortage Management
-  Alternative Solution
-  Excess Inventory Management