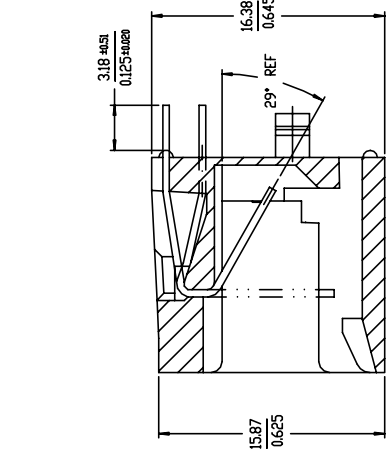
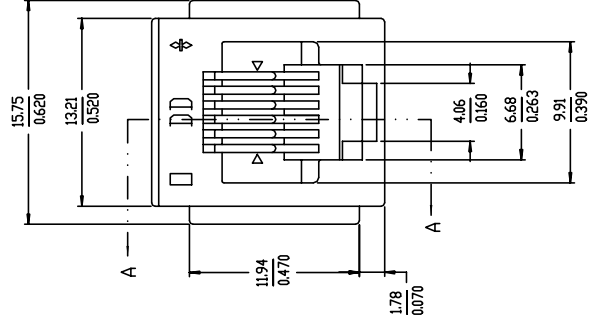
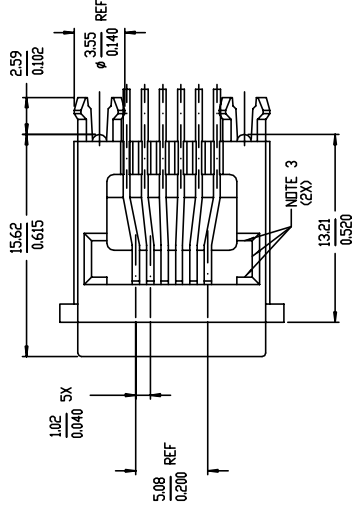




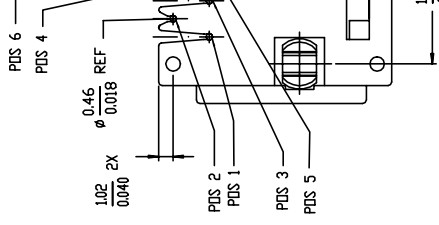
THE DATASHEET OF
90512-001LF



PRODUCT NO
SEE CHART





SECTION A-A



| mat'l. code | Surface | tolerances |
|-------------|-----------|-------------|
| tr | ISD1302 | ur |
| N | 11/23/04 | angle |
| P | 09/25/08 | 0 |
| R | 10/10/08 | 0°±2' |
| S | 3/14/12 | M CHENG |
| | | enr M CHENG |
| | | chr M CHENG |
| | | appd J HSIA |
| Sheet | revisions | S |
| Index | Sheet | 1 2 |

Looking for pricing, stock, or lifecycle information?

Click below to explore more details on WIN SOURCE:

-  [View 90512-001LF on WIN SOURCE](#)
-  [Amphenol FCI Information](#)

Optimize Your Supply Chain with WIN SOURCE Solutions

-  Global Sourcing Solution
-  Obsolete Management
-  Cost Control Management
-  Shortage Management
-  Alternative Solution
-  Excess Inventory Management