



**THE DATASHEET OF  
TPS65170RHDR**



## LCD Bias Supply

Check for Samples : [TPS65170](#)

### FEATURES

- 8.6V to 14.7V Input Voltage Range
- 2.8A Boost Converter Switch Current Limit
- Boost Converter Output Voltages up to 18.5V
- Boost and Buck Converter Short-Circuit Protection
- 1.5A Buck Converter Switch Current Limit
- Fixed 750kHz Switching Frequency for Buck and Boost Converters
- Fixed Buck Converter Soft-Start
- Programmable Boost Converter Soft-Start
- Two Charge Pump Controllers to Regulate  $V_{GH}$  and  $V_{GL}$
- Control Signal for External High-Side MOSFET Isolation Switch
- Reset Signal With Programmable Reset Pulse Duration
- Thermal Shutdown
- 28-Pin 5x5 mm QFN Package

### APPLICATIONS

- LCD TVs and Monitors

### DESCRIPTION

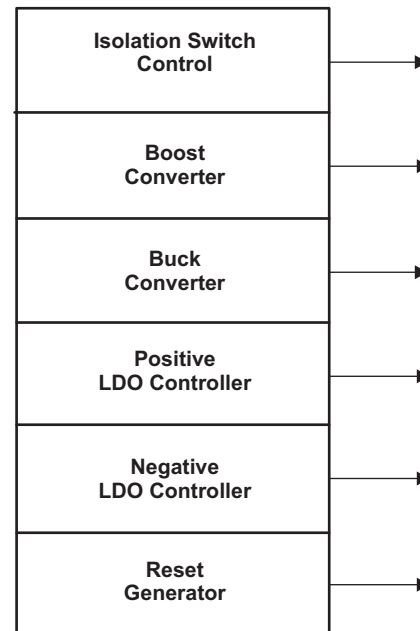
The TPS65170 provides a simple and economic power supply solution for a wide variety of LCD bias applications.

In typical display panel applications, the boost converter generates the display panel's source voltage  $V_S$ , the buck converter generates the system's logic supply  $V_{LOGIC}$ , and the two charge pump controllers regulate the external charge pumps generating the display transistors' on and off supplies  $V_{GH}$  and  $V_{GL}$ .

By using external transistors to regulate the charge pump output voltage, power dissipation in the IC is significantly reduced, simplifying PCB thermal design and improving reliability.

The TPS65170 also provides a reset circuit that monitors the buck converter output ( $V_{LOGIC}$ ) and generates a reset signal for the timing controller during power-up.

A control signal can also be generated to control an external MOSFET isolation switch located between the output of the boost converter and the display panel.



Please be aware that an important notice concerning availability, standard warranty, and use in critical applications of Texas Instruments semiconductor products and disclaimers thereto appears at the end of this data sheet.

# TPS65170

SLVSA27 –OCTOBER 2009

[www.ti.com](http://www.ti.com)


This integrated circuit can be damaged by ESD. Texas Instruments recommends that all integrated circuits be handled with appropriate precautions. Failure to observe proper handling and installation procedures can cause damage.

ESD damage can range from subtle performance degradation to complete device failure. Precision integrated circuits may be more susceptible to damage because very small parametric changes could cause the device not to meet its published specifications.

## ORDERING INFORMATION<sup>(1)</sup>

$T_A$	ORDERING	PACKAGE
-40°C to 85°C	TPS65170RHDR	28-Pin 5x5 QFN

(1) The device is supplied taped and reeled, with 3000 devices per reel.

## ABSOLUTE MAXIMUM RATINGS

over operating free-air temperature range (unless otherwise noted) <sup>(1)</sup>

		VALUE	UNIT
Input voltage <sup>(2)</sup>	VIN	-0.3 to 20	V
Input voltage <sup>(2)</sup>	FBN, FBP, FBB, FB, DLY, CRST, SS, COMP, VL	-0.3 to 7	V
Output voltage <sup>(2)</sup>	$\overline{RST}$	-0.3 to 7	V
	SWB, CTRLP, GD, SW, CTRLN	-0.3 to 20	V
Output current	GD	1	mA
ESD rating	Human Body Model	2000	V
	Machine Model	200	V
	Charged Device Model	700	V
	Continuous Power Dissipation	See Dissipation Table	W
Operating ambient temperature range		-40 to 85	°C
Operating junction temperature range		-40 to 150	°C
Storage temperature range		-65 to 150	°C

(1) Stresses beyond those listed under *absolute maximum ratings* may cause permanent damage to the device. These are stress ratings only and functional operation of the device at these or any other conditions beyond those indicated under *recommended operating conditions* is not implied. Exposure to absolute-maximum-rated conditions for extended periods may affect device reliability.

(2) With respect to the GND and AGND pins.

## DISSIPATION RATINGS

PACKAGE	$\theta_{JA}$	$T_A \leq 25^\circ\text{C}$ POWER RATING	$T_A = 70^\circ\text{C}$ POWER RATING	$T_A = 85^\circ\text{C}$ POWER RATING
28-Pin QFN	34 °C/W	2.94 W	1.62 W	1.32 W

## RECOMMENDED OPERATING CONDITIONS

over operating free-air temperature range (unless otherwise noted)

		MIN	TYP	MAX	UNIT
VIN	Input voltage range	8.6	12	14.7	V
VS	Boost converter output voltage range	$V_{IN}+1$	15	18.5	V
LBOOST	Boost converter inductance	6.8	10	15	μH
CBOOST	Boost converter output capacitance	50	60	100	μF
LBUCK	Buck converter inductance	6.8	10	15	μH
CBUCK	Buck converter output capacitance	20	44	100	μF
TA	Operating ambient temperature	-40	25	85	°C
TJ	Operating junction temperature	-40	85	125	°C

**ELECTRICAL CHARACTERISTICS**
 $V_{IN} = 12V$ ;  $V_S = 17V$ ;  $V_{LOGIC} = 3.3V$ ;  $T_A = -40^{\circ}C$  to  $85^{\circ}C$ ; typical values are at  $25^{\circ}C$  (unless otherwise noted)

PARAMETER		TEST CONDITIONS	MIN	TYP	MAX	UNIT
<b>POWER SUPPLY</b>						
$I_{IN}$	Supply current	$V_{FB}, V_{FBB}, V_{FBP} = 1.3V, V_{FBN} = -50mV$		1	10	mA
UVLO	UVLO threshold	$V_{IN}$ rising	7.8	8.2	8.5	V
<b>INTERNAL OSCILLATOR</b>						
$f_{SW}$	Switching frequency		600	750	900	kHz
<b>BOOST CONVERTER</b>						
$V_S$	Output voltage	Measured after isolation switch	13		18.5	V
$V_{FB}$	Feedback regulation voltage		-1%	1.24	1%	V
$I_{FB}$	Feedback input bias current	$V_{FB} = 1.24V$		$\pm 0.01$	$\pm 1$	$\mu A$
$I_{LIM}$	Switch current limit		2.8	3.5	4.2	A
$I_{lkg}$	Switch leakage current	$V_{SW} = 12V$			10	$\mu A$
$r_{DS(on)}$	Switch ON resistance	$I_{SW} = I_{LIM}$		0.12	0.22	$\Omega$
$t_{SW}$	Switching time	Turn-on and turn-off		10		ns
	Line regulation	$9.6V < V_{IN} < 14.4V, I_S = 750mA$		0.02		%/V
	Load regulation	$V_S = 17V, I_S = 100mA$ to $1.5A$		0.1		%/A
$V_{OVP}$	Overvoltage threshold	$V_{FB}$ rising		$V_{FB} + 3%$	$V_{FB} + 5%$	V
$I_{SS}$	Soft start current	$V_{SS} = 1.24V$		10		$\mu A$
$V_{FB(SC)}$	Short circuit threshold	$V_{FB}$ rising		200		mV
<b>BUCK CONVERTER</b>						
$V_{LOGIC}$	Output voltage		-3%	3.3	3%	V
$I_{FBB}$	Feedback input bias current	$V_{FBB} = 3.3V$			$\pm 125$	$\mu A$
$I_{LIM}$	Switch current limit		1.5	2.1	2.8	A
$I_{lkg}$	Switch leakage current	$V_{SWB} = GND$			10	$\mu A$
$r_{DS(on)}$	Switch ON resistance			0.21	0.35	$\Omega$
$t_{SW}$	Switching time	Turn-on and turn-off		10		ns
	Line regulation	$V_{IN} = 9.6V$ to $14.4V, I_{LOGIC} = 0.5A$		0.01		%/V
	Load regulation	$I_{LOGIC} = 150mA$ to $1.5A$		0.2		%/A
$V_{PG}$	Power good threshold	$V_{LOGIC}$ rising		3.2		V
$V_{FBB(SC)}$	Short circuit threshold	$V_{FBB}$ rising		1.065		V
$t_{SS}$	Soft start time			0.66		ms
<b>POSITIVE CHARGE PUMP CONTROLLER</b>						
$V_{FBP}$	Feedback regulation voltage	$I_{CTRLP} = 1mA$ (sinking)	-3%	1.24	+3%	V
$I_{FBP}$	Feedback input bias current	$V_{FBP} = 1.24V$		$\pm 1$	$\pm 100$	nA
$I_{CTRLP}$	Base drive current for external transistor	Normal operation (sinking)	5			mA
		Short-circuit operation (sinking)	40	55	75	$\mu A$
	Line regulation	$V_{IN} = 9.6V$ to $14.4V, V_{GH} = 27V, I_{GH} = 50mA$ , including external components		$\pm 0.1$		%/V
	Load regulation	$V_{GH} = 27V, I_{GH} = 10mA$ to $50mA$ , including external components		$\pm 1$		%/A
<b>NEGATIVE CHARGE PUMP CONTROLLER</b>						
$V_{FBN}$	Feedback regulation voltage	$I_{CTRLN} = 1mA$ (sourcing)	-36	0	36	mV
$I_{FBN}$	Feedback input bias current	$V_{FBN} = 0V$		$\pm 1$	$\pm 100$	nA
$I_{CTRLN}$	Base drive current for external transistor	Normal operation (sourcing)	2.5			mA
		Short-circuit operation (sourcing)	200	300	480	$\mu A$
	Line regulation	$V_{IN} = 9.6V$ to $14.4V, V_{GL} = -7V, I_{GL} = 50mA$ , including external components		$\pm 0.1$		%/V

# TPS65170

SLVSA27 –OCTOBER 2009

[www.ti.com](http://www.ti.com)

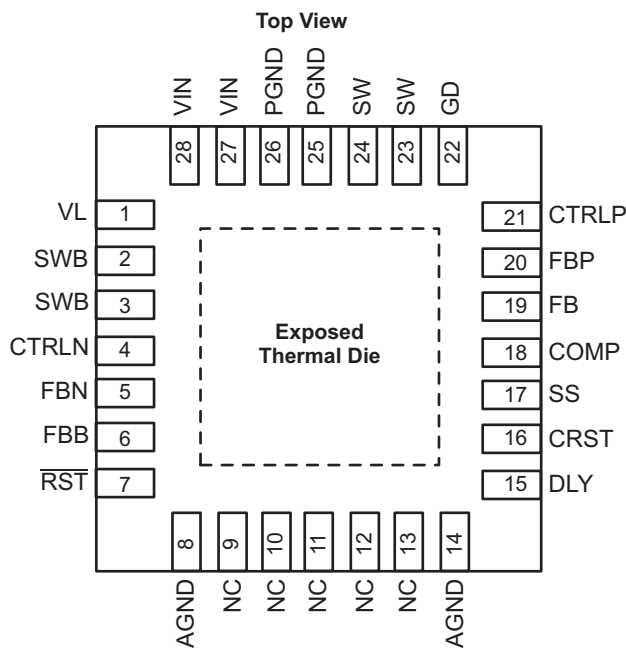
## ELECTRICAL CHARACTERISTICS (continued)

 $V_{IN} = 12V$ ;  $V_S = 17V$ ;  $V_{LOGIC} = 3.3V$ ;  $T_A = -40^{\circ}C$  to  $85^{\circ}C$ ; typical values are at  $25^{\circ}C$  (unless otherwise noted)

PARAMETER	TEST CONDITIONS	MIN	TYP	MAX	UNIT
Load regulation	$V_{GL} = -7V$ , $I_{GH} = 10mA$ to $50mA$ , including external components		$\pm 1$		%/A
<b>RESET GENERATOR</b>					
$V_{RST}$	Output voltage low	$I_{RST} = 1mA$ (sinking)		0.5	V
$I_{RST}$	Output current high	$V_{RST} = 3.3V$ (sinking)		1	$\mu A$
$I_{CRST}$	Reset delay capacitor charge current	$V_{CRST} = 1.24V$	10		$\mu A$
$V_{CRST}$	Reset delay threshold voltage	$V_{CRST}$ rising	1.24		V
<b>ISOLATION SWITCH CONTROL</b>					
$V_{GD}$	Output voltage low	$I_{GD} = 500\mu A$ (sinking)		0.5	V
$I_{LKG}$	Leakage Current	$V_{GD} = 20V$	0.05	1	$\mu A$
<b>DELAY DLY</b>					
$I_{DLY}$	Delay capacitor charge current	$V_{DLY} = 1.24V$	10		$\mu A$
$V_{DLY}$	Delay threshold voltage	$V_{DLY}$ rising	1.24		V
<b>THERMAL SHUTDOWN</b>					
$T_{SD}$	Thermal shutdown threshold		150		$^{\circ}C$
$T_{HYS}$	Thermal shutdown hysteresis		10		$^{\circ}C$

## DEVICE INFORMATION

### PIN ASSIGNMENT



**PIN FUNCTIONS**

PIN		I/O	DESCRIPTION
NAME	NO.		
VL	1	O	Connection for decoupling capacitor for internal bias supply.
SWB	2, 3	O	Buck converter switch node
CTRLN	4	O	Base drive signal for the positive charge pump external regulating transistor.
FBN	5	I	Feedback pin for the negative charge pump. Connect this pin to the center of a resistor divider connected between the negative charge pump output and buck converter output.
FBB	6	I	Buck converter feedback. Connect this pin to the output of the buck converter.
/RST	7	O	Reset generator open drain output
AGND	8	P	Analog ground
NC	9, 10, 11, 12, 13	N/A	Not used, connect to AGND.
AGND	14	P	Analog ground.
DLY	15	I	Positive charge pump and boost converter delay capacitor connection.
CRST	16	I	Reset generator timing capacitor connection.
SS	17	I	Soft-start timing capacitor connection.
COMP	18	I	Boost converter compensation network connection.
FB	19	I	Boost regulator feedback. Connect this pin to the center of a resistor divider connected between the boost converter output and AGND.
FBP	20	I	Feedback pin for the positive charge pump. Connect this pin to the center of a resistor divider connected between the positive charge pump output and AGND.
CTRLP	21	O	Base drive signal for the positive charge pump external regulating transistor
GD	22	O	Gate drive signal for the external MOSFET isolation switch.
SW	23, 24	O	Boost converter switching node
PGND	25, 26	P	Power ground
VIN	27, 28	P	Supply voltage connection
Exposed Thermal Die		P	Connect to the system GND

TYPICAL CHARACTERISTICS

TABLE OF GRAPHS

		FIGURE NO.
<b>BOOST CONVERTER</b>		
Efficiency	$V_{IN} = 12\text{ V}, V_S = 15.5\text{ V}$	Figure 1
Load Transient Response	$V_{IN} = 12\text{ V}, V_S = 15.5\text{ V}, I_S = 250\text{ mA to }750\text{ mA}$	Figure 2
Line Transient Response	$V_{IN} = 11.5\text{ V to }12.5\text{ V}, V_S = 15.5\text{ V}, I_S = 750\text{ mA}, V_{GH} = 26\text{ V}, I_{GH} = 50\text{ mA}$	Figure 3
Output Voltage Ripple	$V_{IN} = 12\text{ V}, V_S = 15.5\text{ V}, I_S = 500\text{ mA}, V_{GH} = 26\text{ V}, I_{GH} = 50\text{ mA}$	Figure 4
Switch Node (SW) Waveform	CCM Operation, $V_{IN} = 12\text{ V}, I_S = 250\text{ mA}$	Figure 5
	DCM Operation, $V_{IN} = 12\text{ V}, I_S = 50\text{ mA}$	Figure 6
<b>BUCK CONVERTER</b>		
Efficiency	$V_{IN} = 12\text{ V}, V_{LOGIC} = 3.3\text{ V}$	Figure 7
Load Transient Response	$V_{IN} = 12\text{ V}, V_{GL} = -7\text{ V}, I_{GL} = 50\text{ mA}, I_{LOGIC} = 250\text{ mA to }500\text{ mA}$	Figure 8
Line Transient Response	$V_{IN} = 11.5\text{ V to }12.5\text{ V}, V_{GL} = -7\text{ V}, I_{GL} = 50\text{ mA}, I_{LOGIC} = 500\text{ mA}$	Figure 9
Output Voltage Ripple	$V_{IN} = 12\text{ V}, V_{GL} = -7\text{ V}, I_{GL} = 50\text{ mA}, I_{LOGIC} = 500\text{ mA}$	Figure 10
Switch Node (SW) Waveform	CCM Operation, $V_{IN} = 12\text{ V}, I_{LOGIC} = 250\text{ mA}$	Figure 11
	DCM Operation, $V_{IN} = 12\text{ V}, I_{LOGIC} = 50\text{ mA}$	Figure 12
	Skip Mode, $V_{IN} = 12\text{ V}, I_{LOGIC} = 0\text{ mA}$	Figure 13
<b>POSITIVE CHARGE PUMP</b>		
Load Transient Response	$V_{IN} = 12\text{ V}, V_{GH} = 26\text{ V}, V_S = 15.5\text{ V}, I_S = 250\text{ mA}, I_{GH} = 10\text{ mA to }50\text{ mA}$	Figure 14
Line Transient Response	$V_{IN} = 11.5\text{ V to }12.5\text{ V}, V_{GH} = 26\text{ V}, I_{GH} = 50\text{ mA}, V_S = 15.5\text{ V}, I_S = 750\text{ mA}$	Figure 15
Output Voltage Ripple	$V_{IN} = 12\text{ V}, V_{GH} = 26\text{ V}, I_{GH} = 50\text{ mA}, V_S = 15.5\text{ V}, I_S = 750\text{ mA}$	Figure 16
<b>NEGATIVE CHARGE PUMP</b>		
Load Transient Response	$V_{IN} = 12\text{ V}, V_{GL} = -7\text{ V}, I_{LOGIC} = 250\text{ mA}, I_{GL} = 10\text{ mA to }50\text{ mA}$	Figure 17
Line Transient Response	$V_{IN} = 11.5\text{ V to }12.5\text{ V}, V_{GL} = -7\text{ V}, I_{GL} = 50\text{ mA}, I_{LOGIC} = 250\text{ mA}$	Figure 18
Output Voltage Ripple	$V_{IN} = 12\text{ V}, V_{GL} = -7\text{ V}, I_{LOGIC} = 250\text{ mA}, I_{GL} = 50\text{ mA}$	Figure 19
<b>START-UP SEQUENCING</b>		
Power-Up Sequencing		Figure 20
Reset Operation		Figure 21

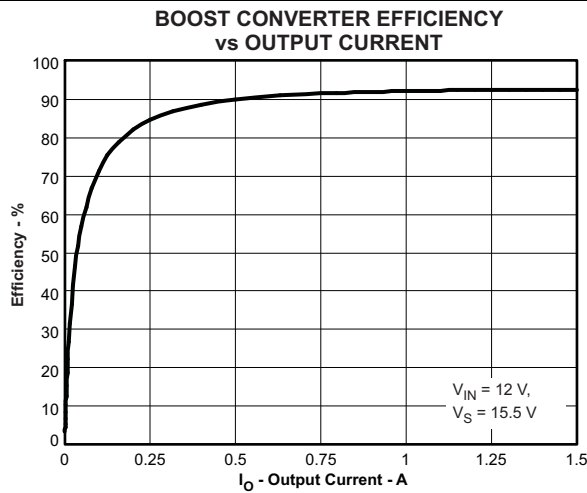


Figure 1.

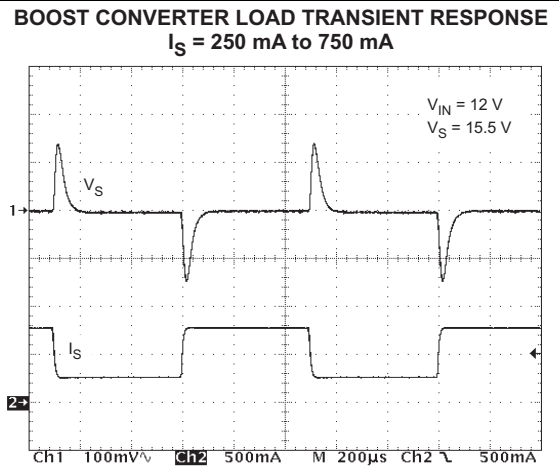


Figure 2.

**BOOST CONVERTER LINE TRANSIENT RESPONSE**  
 $V_{IN} = 11.5\text{ V to }12.5\text{ V}$

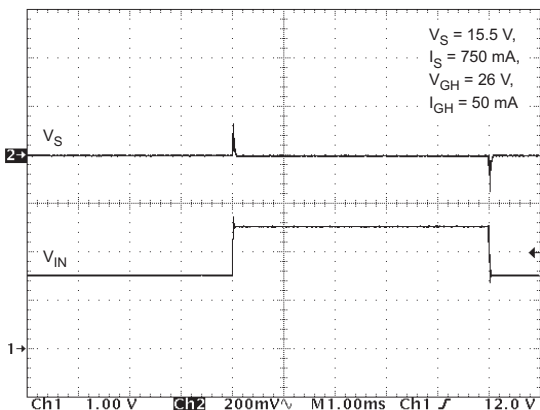


Figure 3.

**BOOST CONVERTER OUTPUT VOLTAGE RIPPLE**  
 $I_S = 500\text{ mA}$

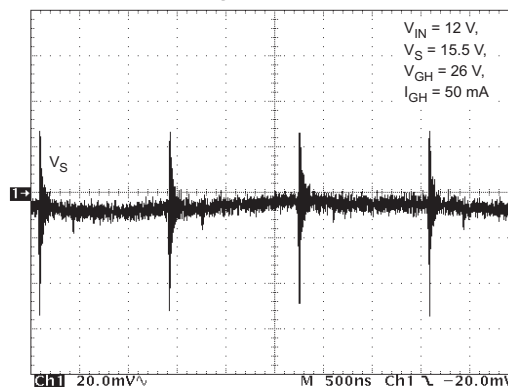


Figure 4.

**BOOST CONVERTER SWITCH NODE WAVEFORM**  
 CONTINUOUS CONDUCTION MODE

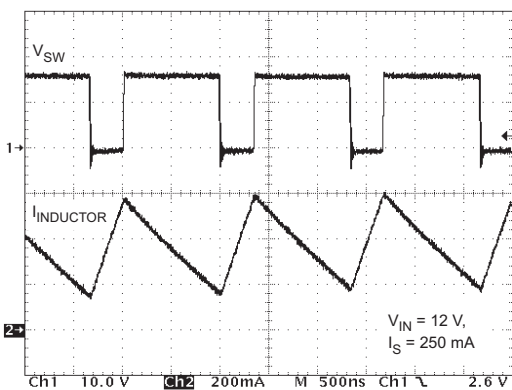


Figure 5.

**BOOST CONVERTER SWITCH NODE WAVEFORM**  
 DISCONTINUOUS CONDUCTION MODE

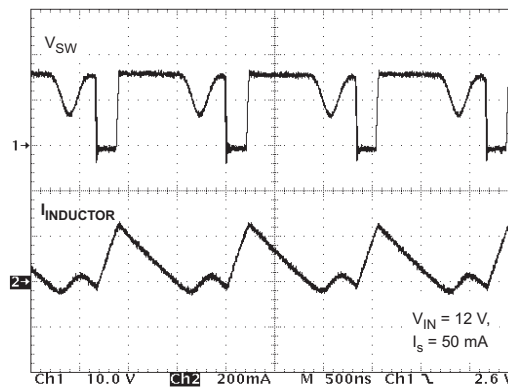


Figure 6.

**BUCK CONVERTER EFFICIENCY**  
 vs OUTPUT CURRENT

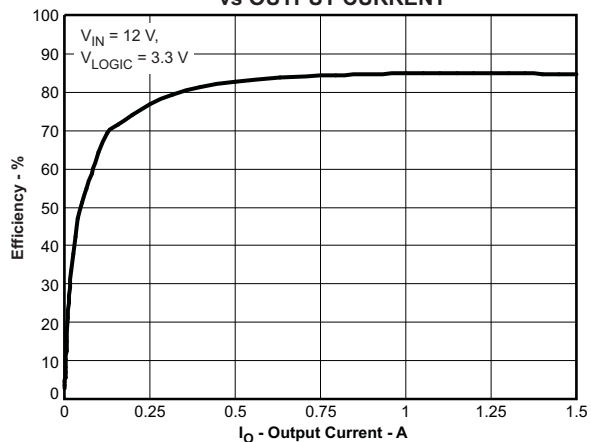


Figure 7.

**BUCK CONVERTER LOAD TRANSIENT RESPONSE**  
 $I_{LOGIC} = 250\text{ mA to }500\text{ mA}$

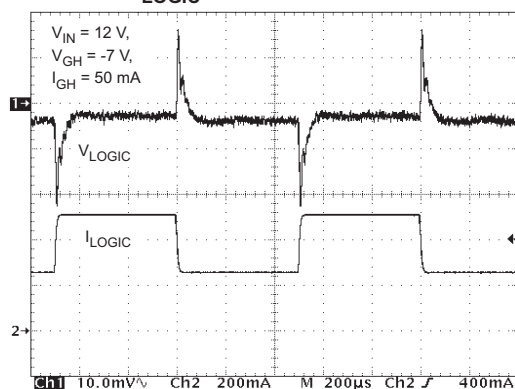


Figure 8.

**BUCK CONVERTER LINE TRANSIENT RESPONSE**  
 $V_{IN} = 11.5\text{ V to }12.5\text{ V}$

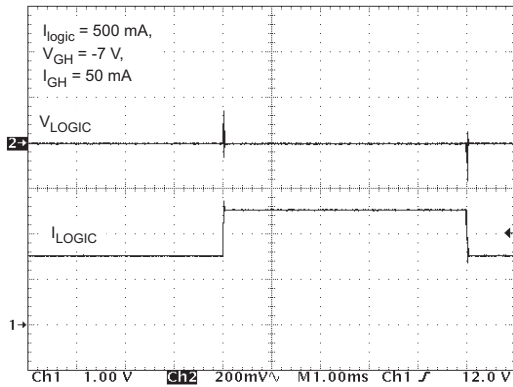


Figure 9.

**BUCK CONVERTER OUTPUT VOLTAGE RIPPLE**  
 $I_{LOGIC} = 500\text{ mA}$

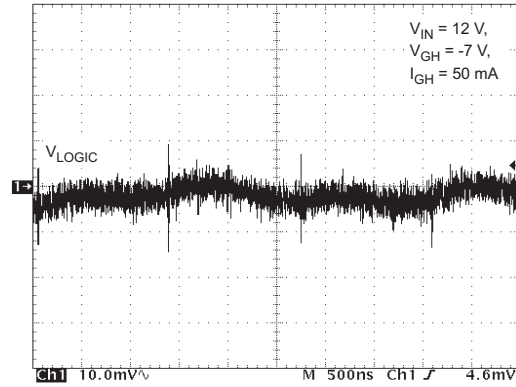


Figure 10.

**BUCK CONVERTER SWITCH NODE WAVEFORM**  
**CONTINUOUS CONDUCTION MODE**

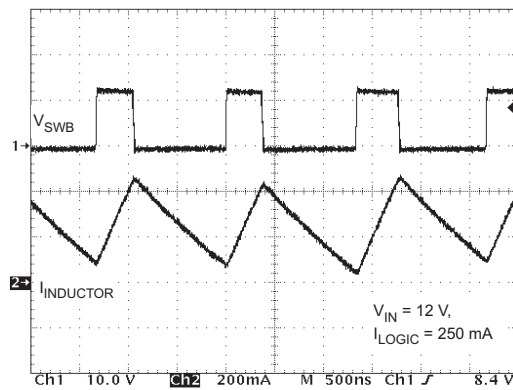


Figure 11.

**BUCK CONVERTER SWITCH NODE WAVEFORM**  
**DISCONTINUOUS CONDUCTION MODE**

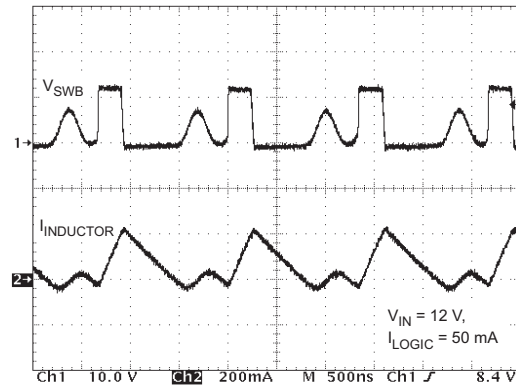


Figure 12.

**BUCK CONVERTER SWITCH WAVEFORM**  
**SKIP MODE**

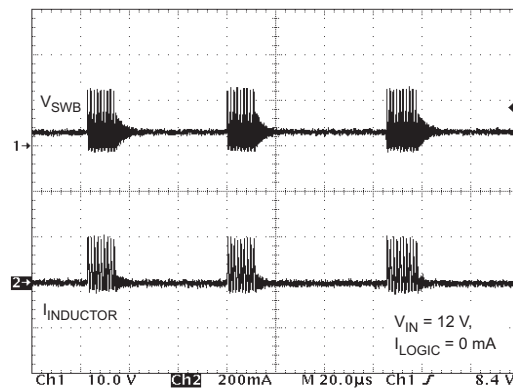


Figure 13.

**POSITIVE CHARGE PUMP LOAD TRANSIENT RESPONSE**  
 $I_{GH} = 10\text{ mA to }50\text{ mA}$

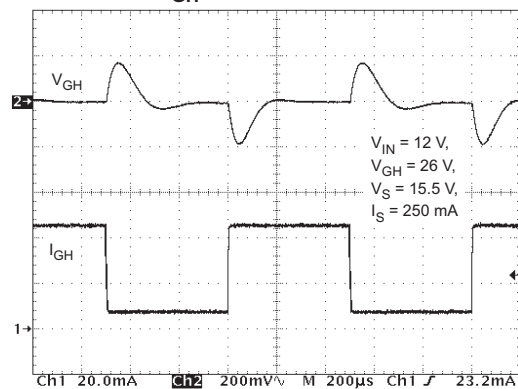


Figure 14.

POSITIVE CHARGE PUMP LINE TRANSIENT RESPONSE  
 $V_{IN} = 11.5 \text{ V to } 12.5 \text{ V}$

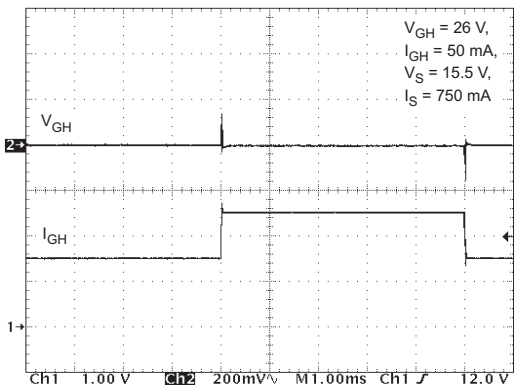


Figure 15.

POSITIVE CHARGE PUMP OUTPUT VOLTAGE RIPPLE  
 $I_{GH} = 50 \text{ mA}$

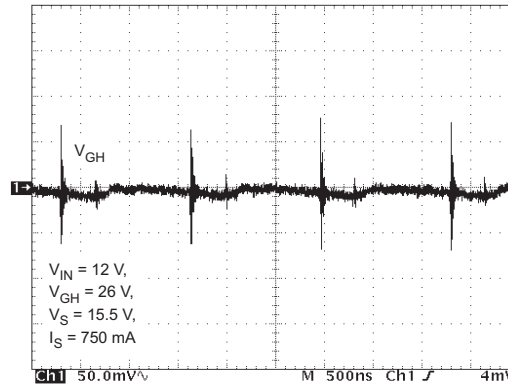


Figure 16.

NEGATIVE CHARGE PUMP LOAD TRANSIENT RESPONSE  
 $I_{GL} = 10 \text{ mA to } 50 \text{ mA}$

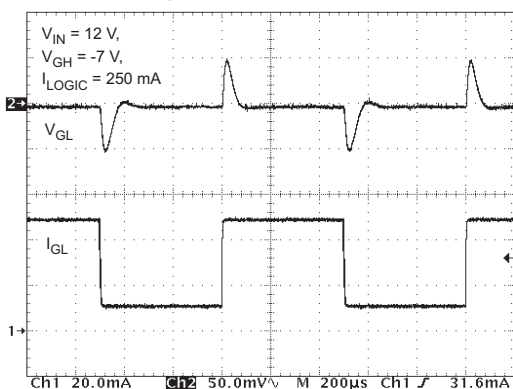


Figure 17.

NEGATIVE CHARGE PUMP LINE TRANSIENT RESPONSE  
 $V_{IN} = 11.5 \text{ V to } 12.5 \text{ V}$

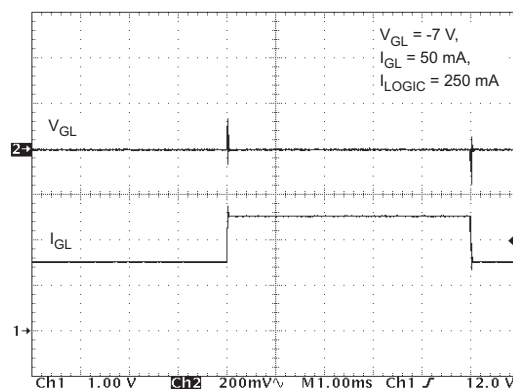


Figure 18.

NEGATIVE CHARGE PUMP OUTPUT VOLTAGE RIPPLE  
 $I_{GL} = 50 \text{ mA}$

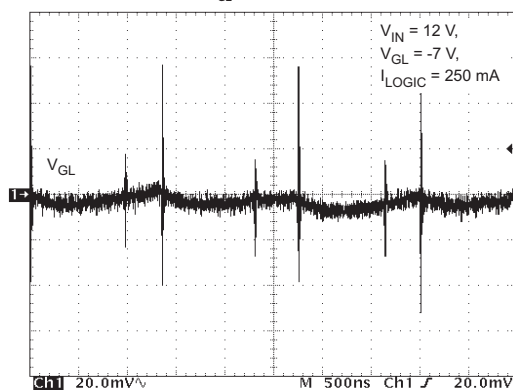


Figure 19.

POWER-UP SEQUENCING

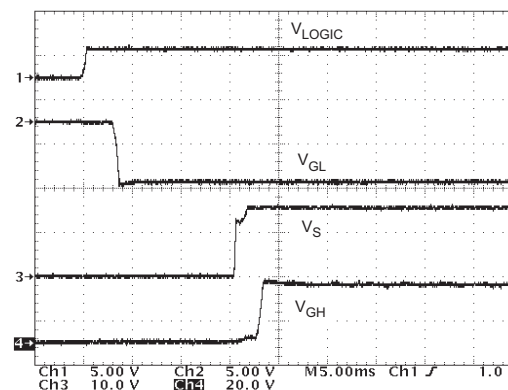


Figure 20.

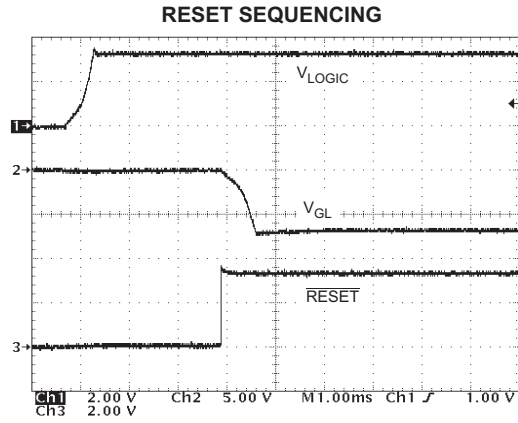


Figure 21.

DETAILED DESCRIPTION

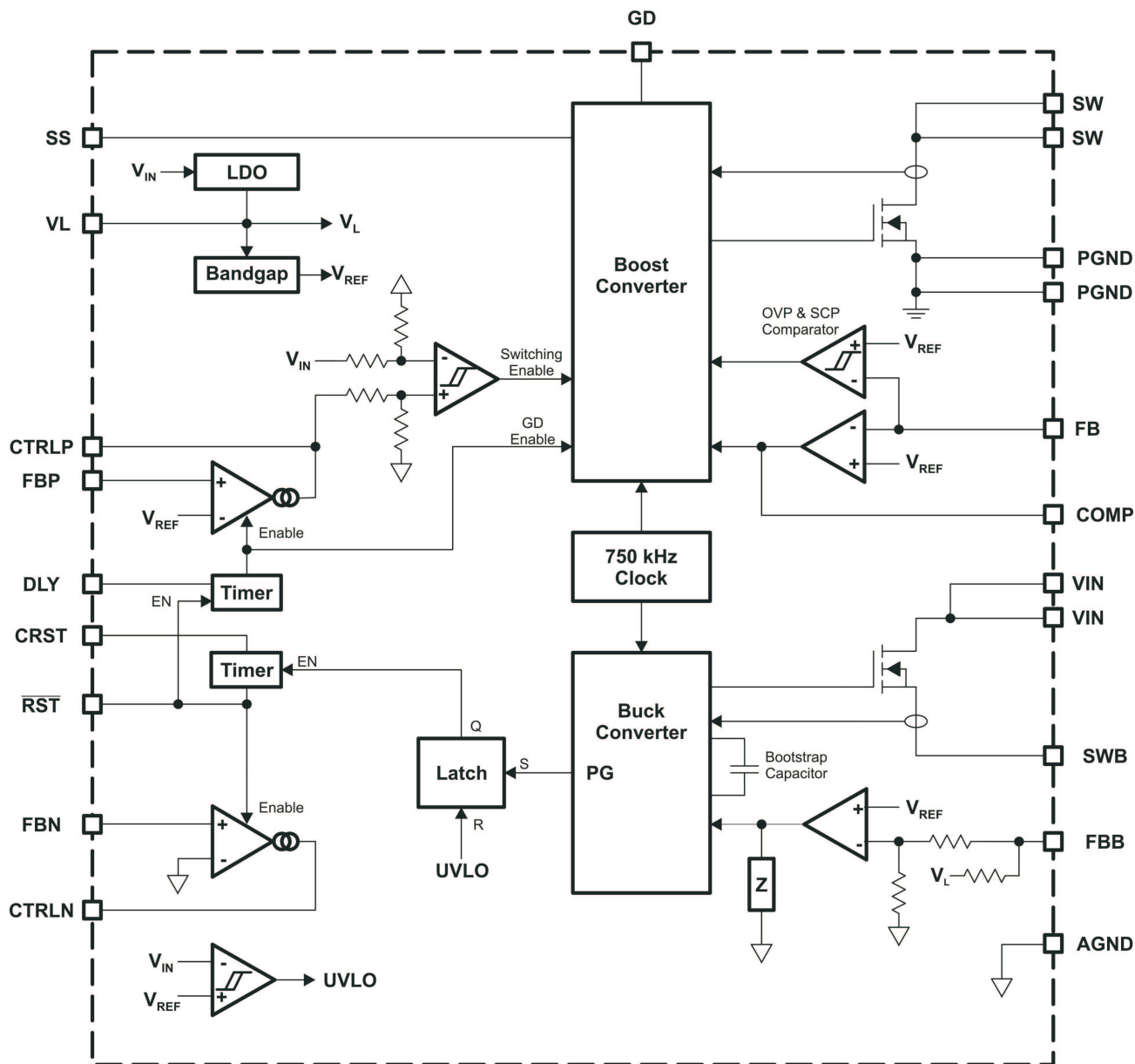


Figure 22. Internal Block Diagram

**BOOST CONVERTER**

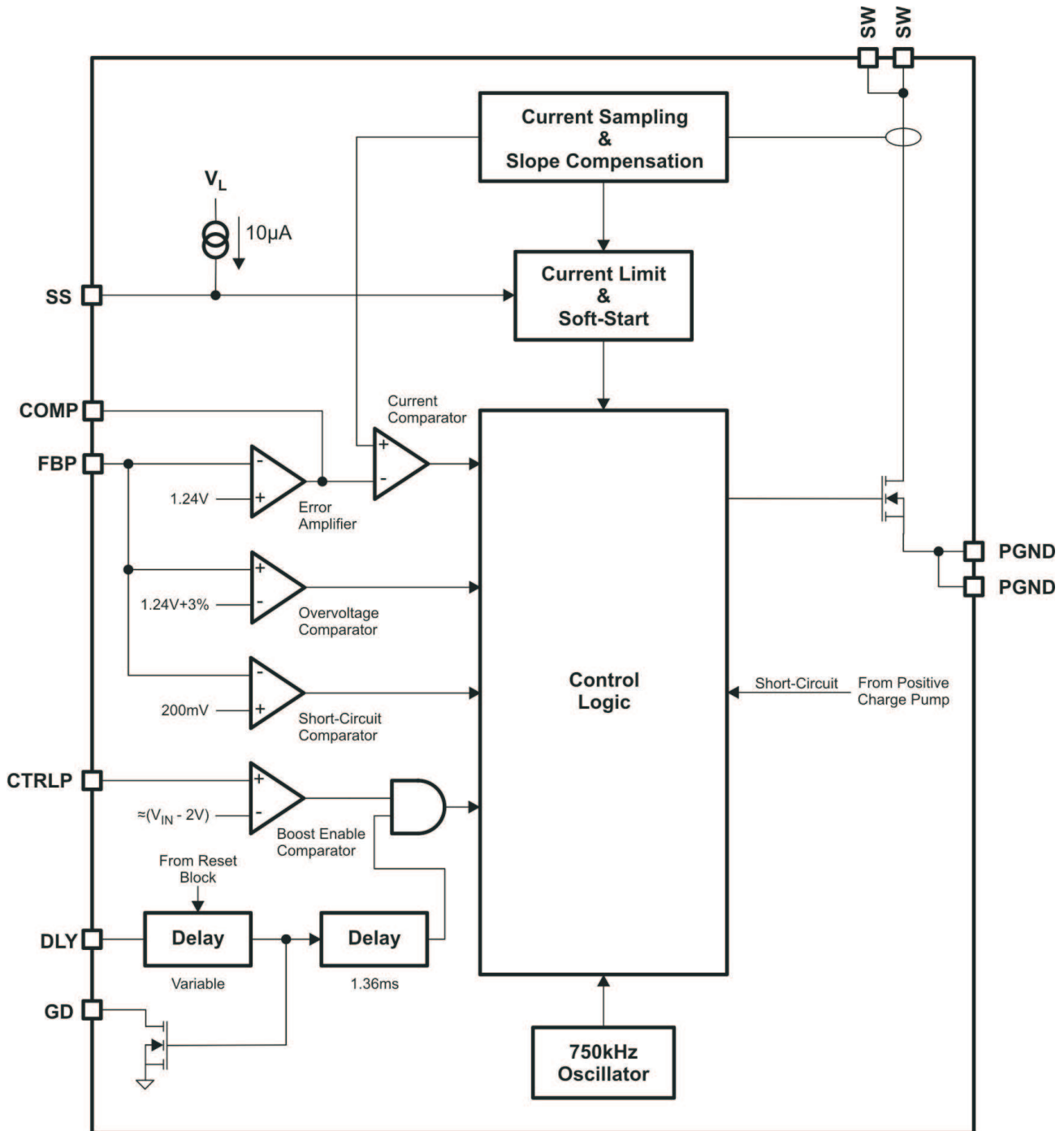
The non-synchronous boost converter uses a current mode topology and operates at a fixed frequency of 750kHz. The internal block diagram of the boost converter is shown in Figure 23 and a typical application circuit in Figure 24. External compensation allows designers to optimize performance for individual applications, and is easily implemented by connecting a suitable capacitor/resistor network between the COMP pin and AGND (see the [BOOST CONVERTER DESIGN PROCEDURE](#) section for more details). The boost converter also controls a GD pin that can be used to drive an external isolation MOSFET.

The boost converter can operate in either continuous conduction mode (CCM) or discontinuous conduction mode (DCM), depending on the load current. At medium and high load currents, the inductor current is always greater

than zero and the converter operates in CCM; at low load currents, the inductor current is zero during part of each switching cycle, and the converter operates in DCM. The switch node waveforms for CCM and DCM operation are shown in [Figure 5](#) and [Figure 6](#). Note that the ringing seen during DCM operation occurs because of parasitic capacitance in the PCB layout and is quite normal for DCM operation. There is little energy contained in the ringing waveform and it does not significantly affect EMI performance.

[Equation 1](#) can be used to calculate the load current below which the boost converter operates in DCM .

$$I_{DCM} = \frac{(V_S - V_{IN})}{2 \times L \times f_{SW}} \times \frac{V_{IN}}{V_{OUT}} \quad (1)$$



**Figure 23. Boost Converter Internal Block Diagram**

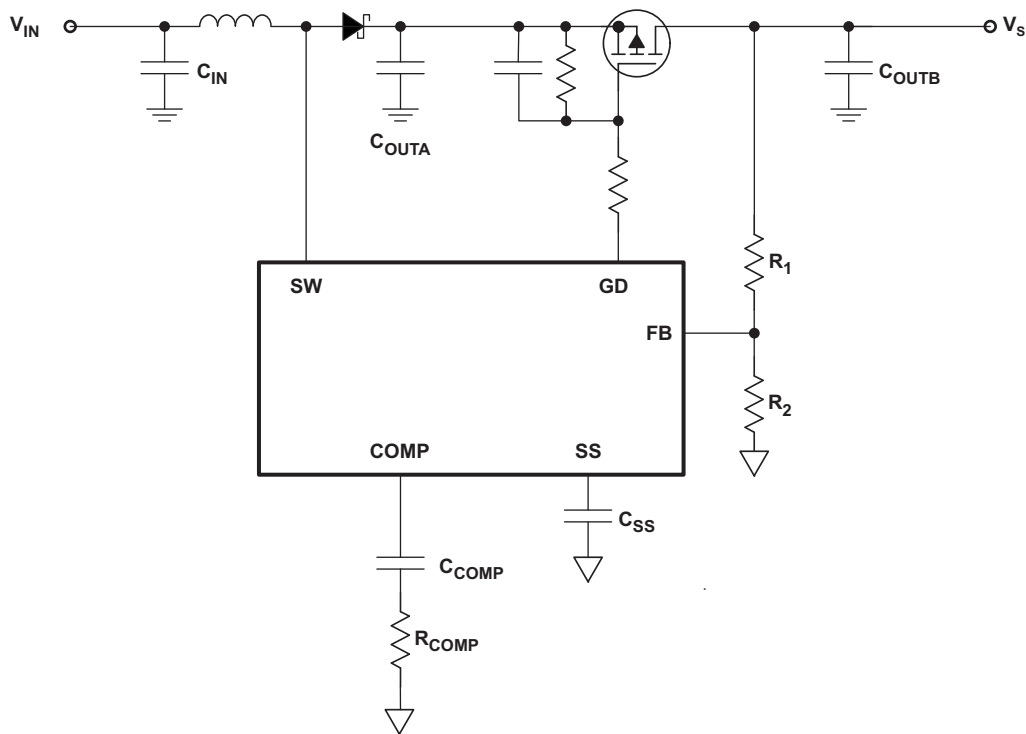


Figure 24. Boost Converter Typical Application Circuit

## PROTECTION (BOOST CONVERTER)

The boost converter is protected against potentially damaging conditions such as overvoltage and short circuits. An error condition is detected if the voltage on the converter's FB pin remains below 200mV for longer than 1.36ms, in which case, the converter stops switching and is latched in the OFF condition. To resume normal operation, the TPS65170 must be turned off and then turned on again.

Note: since the positive charge pump is driven from its switch node, an error condition on the boost converter's output will also cause the loss of  $V_{GH}$  until the circuit recovers.

The boost converter also stops switching while the positive charge pump is in a short circuit condition. This condition is not latched, however, and the boost converter automatically resumes normal operation once the short circuit condition has been removed from the positive charge pump.

## BOOST CONVERTER DESIGN PROCEDURE

### Calculate Converter Duty Cycle (Boost Converter)

The simplest way to calculate the boost converter's duty cycle is to use the efficiency curve in [Figure 1](#) to determine the converter's efficiency under the anticipated load conditions and insert this value into [Equation 2](#)<sup>(1)</sup>. Alternatively, a worst-case value (e.g., 90%) can be used for efficiency.

$$D = 1 - \frac{V_{IN} \times \eta}{V_S} \quad (2)$$

A. Valid only when boost converter operates in CCM.

Where  $V_S$  is the output voltage of the boost converter.

### Calculate Maximum Output Current (Boost Converter)

The maximum output current  $I_S$  that the boost converter can supply can be calculated using Equation 3. The minimum specified output current occurs at the maximum duty cycle (which occurs at minimum  $V_{IN}$ ) and minimum frequency (600kHz).

$$I_S = \left( I_{LIM} - \frac{V_{IN} \times D}{2 \times f_{SW} \times L} \right) \times (1 - D) \quad (3)$$

Where  $I_{LIM}$  is the minimum specified switch current limit (2.8A) and  $f_{SW}$  is the converter switching frequency.

### Calculate Peak Switch Current (Boost Converter)

Equation 4 can be used to calculate the peak switch current occurring in a given application. The worst-case (maximum) peak current occurs at the minimum input voltage and maximum duty cycle.

$$I_{SW(PK)} = \frac{I_S}{1 - D} + \frac{V_{IN} \times D}{2 \times f_{SW} \times L} \quad (4)$$

### Inductor Selection (Boost Converter)

The boost converter is designed for use with inductors in the range 6.8μH to 15μH. A 10μH inductor is typical. Inductors should be capable of supporting at least 125% of the peak current calculated by Equation 4 without saturating. This ensures sufficient margin to tolerate heavy load transients. Alternatively, a more conservative approach can be used in which an inductor is selected whose saturation current is greater than the maximum switch current limit (4.2A).

Another important parameter is DC resistance, which can significantly affect the overall converter efficiency. Physically larger inductors tend to have lower DC resistance (DCR) because they can use thicker wire. The type and core material of the inductor can also affect efficiency, sometimes by as much as 10%. Table 1 shows some suitable inductors.

**Table 1. Boost Converter Inductor Selection**

PART NUMBER	INDUCTOR VALUE	COMPONENT SUPPLIER	SIZE (LxWxH mm)	$I_{SAT}$ / DCR
CDRH8D43	10 μH	Sumida	8.3 × 8.3 × 4.5	4A / 29 mΩ
CDRH8D38	10 μH	Sumida	8.3 × 8.3 × 4	3A / 38 mΩ
MSS 1048-103	10 μH	Coilcraft	10.5 × 10.5 × 5.1	4.8A / 26 mΩ
744066100	10 μH	Wuerth	10 × 10 × 3.8	4A / 28 mΩ

### Rectifier Diode Selection (Boost Converter)

For highest efficiency, the rectifier diode should be a Schottky type. Its reverse voltage rating should be higher than the maximum output voltage  $V_S$ . The average rectified forward current through the diode is the same as the output current.

$$I_{D(AVG)} = I_S \quad (5)$$

A Schottky diode with 2A average rectified current rating is adequate for most applications. Smaller diodes can be used in applications with lower output current, however, the diode must be able to handle the power dissipated in it, which can be calculated using Equation 6. Table 2 lists some diodes suitable for use in typical applications.

$$P_D = I_{D(AVG)} \times V_F \quad (6)$$

**Table 2. Boost Converter Rectifier Diode Selection**

PART NUMBER	$V_R$ / $I_{AVG}$	$V_F$	$R_{\theta JA}$	SIZE	COMPONENT SUPPLIER
MBRS320	20V / 3A	0.44V at 3A	46°C/W	SMC	International Rectifier
SL22	20V / 2A	0.44V at 2A	75°C/W	SMB	Vishay Semiconductor
SS22	20V / 2A	0.50V at 2A	75°C/W	SMB	Fairchild Semiconductor

### Output Capacitance Selection (Boost Converter)

For best performance, a total output capacitance ( $C_{OUTA}+C_{OUTB}$  in [Figure 24](#)) in the range 50 $\mu$ F to 100 $\mu$ F is recommended. At least 20 $\mu$ F of the total output capacitance should be connected directly to the cathode of the boost converter's rectifier diode, i.e., in front of the isolation switch.

Operating the boost converter with little or no capacitance in front of the isolation switch may cause overvoltage conditions that reduce reliability of the TPS65170.

[Table 3](#) suggests some output capacitors suitable for use with the boost converter.

**Table 3. Boost Converter Output Capacitor Selection**

PART NUMBER	VALUE / VOLTAGE RATING	COMPONENT SUPPLIER
GRM32ER61E226KE15	22 $\mu$ F / 25V	Murata
GRM31CR61E106KA12	10 $\mu$ F / 25V	Murata
UMK325BJ106MM	10 $\mu$ F / 50V	Taiyo Yuden

### Setting the Output Voltage (Boost Converter)

The boost converter's output voltage is programmed by a resistor divider according to [Equation 7](#).

$$V_S = V_{REF} \times \left( 1 + \frac{R_1}{R_2} \right) \quad (7)$$

Where  $V_{REF}$  is the IC's internal 1.24V reference.

A current of the order of 100 $\mu$ A through the resistor network ensures good accuracy and improves noise immunity. A good approach is to assume a value of about 12k for the lower resistor ( $R_2$ ) and then select the upper resistor ( $R_1$ ) to set the desired output voltage.

### Compensation (Boost Converter)

The boost converter's external compensation can be fine-tuned for each individual application. Recommended starting values are 33k $\Omega$  and 1nF, which introduce a pole at the origin for high DC gain and a zero for good transient response. The frequency of the zero set by the compensation components can be calculated using [Equation 8](#).

$$f_z = \frac{1}{2 \times \pi \times R_{COMP} \times C_{COMP}} \quad (8)$$

### Selecting the Soft-Start Capacitor (Boost Converter)

The boost converter features a programmable soft-start function that ramps up the output voltage to limit the inrush current drawn from the supply voltage. The soft-start duration is set by the capacitor connected between the SS pin and AGND according to [Equation 9](#).

$$t_{SS} = \frac{C_{SS} \times V_{REF}}{I_{SS}} \quad (9)$$

Where  $C_{SS}$  is the capacitor connected between the SS pin and GND,  $V_{REF}$  is the IC's internal 1.24V reference, and  $I_{SS}$  is the internally generated 10 $\mu$ A soft-start current.

### Selecting the Isolation Switch Gate Drive Components

The isolation switch is controlled by an active-low signal generated by the GD pin. Because this signal is open-drain, an external pull-up resistor is required to turn the MOSFET switch off. If the MOSFET's maximum gate-source voltage rating is less than the maximum  $V_{IN}$ , two resistors in series can be used to reduce the maximum  $V_{GS}$  applied to the device. The exact value of the gate drive resistors is not critical: 100k for both is a good value to start with.

A capacitor can also be connected in parallel with the top resistor, as illustrated in [Figure 24](#). The effect of this capacitor is to slow down the speed with which the transistor turns on, thereby limiting inrush current. (Note that the capacitor also slows down the speed with which the transistor turns off, and therefore the speed with which it can respond to error conditions.)

Even when trying to limit inrush current, the capacitor must not be too large or the output voltage will rise so slowly the condition will be interpreted as an error (see *Power Supply Sequencing in Detail* later in this data sheet). Typical values are 10nF to 100nF, depending on the transistor used for the isolation switch and the value of the gate-drive resistors.

Note that even in applications that do not use an isolation switch, an external pull-up resistor (typically 100kΩ) connected between the GD and  $V_{IN}$  is required.

## BUCK CONVERTER

The buck converter is a non-synchronous type that runs at a fixed frequency of 750kHz. The converter features integrated soft-start (0.66ms), bootstrap, and compensation circuits to minimize external component count. The buck converter's internal block diagram is shown in [Figure 25](#) and a typical application circuit in [Figure 26](#).

The output voltage of the buck converter is internally programmed to 3.3V and is enabled as soon as  $V_{IN}$  exceeds the UVLO threshold. For best performance, the buck converter's FB pin should be connected directly to the positive terminal of the output capacitor(s).

The buck converter can operate in either continuous conduction mode (CCM) or discontinuous conduction mode (DCM), depending on the load current. At medium and high load currents, the inductor current is always greater than zero and the converter operates in CCM; at low load currents, the inductor current is zero during part of each switching cycle, and the converter operates in DCM. The switch node waveforms for CCM and DCM operation are shown in [Figure 11](#) and [Figure 12](#). Note that the ringing seen during DCM operation occurs because of parasitic capacitance in the PCB layout and is quite normal for DCM operation. However, there is very little energy contained in the ringing waveform and it does not significantly affect EMI performance. [Equation 10](#) can be used to calculate the load current below which the buck converter operates in DCM

$$I_{DCM} = \frac{(V_{IN} - V_{LOGIC})}{2 \times L \times f_{SW}} \times \frac{V_{LOGIC}}{V_{IN}} \quad (10)$$

The buck converter uses a skip mode to regulate  $V_{LOGIC}$  at very low load currents. This mode allows the converter to maintain its output at the required voltage while still meeting the requirement of a *minimum on time*. The buck converter enters skip mode when its feedback voltage exceeds the skip mode threshold (1% above the normal regulation voltage). During skip mode, the buck converter switches for a few cycles, then stops switching for a few cycles, and then starts switching again and so on, for as long as the feedback voltage is above the skip mode threshold. Output voltage ripple can be a little higher during skip mode (see [Figure 13](#)).

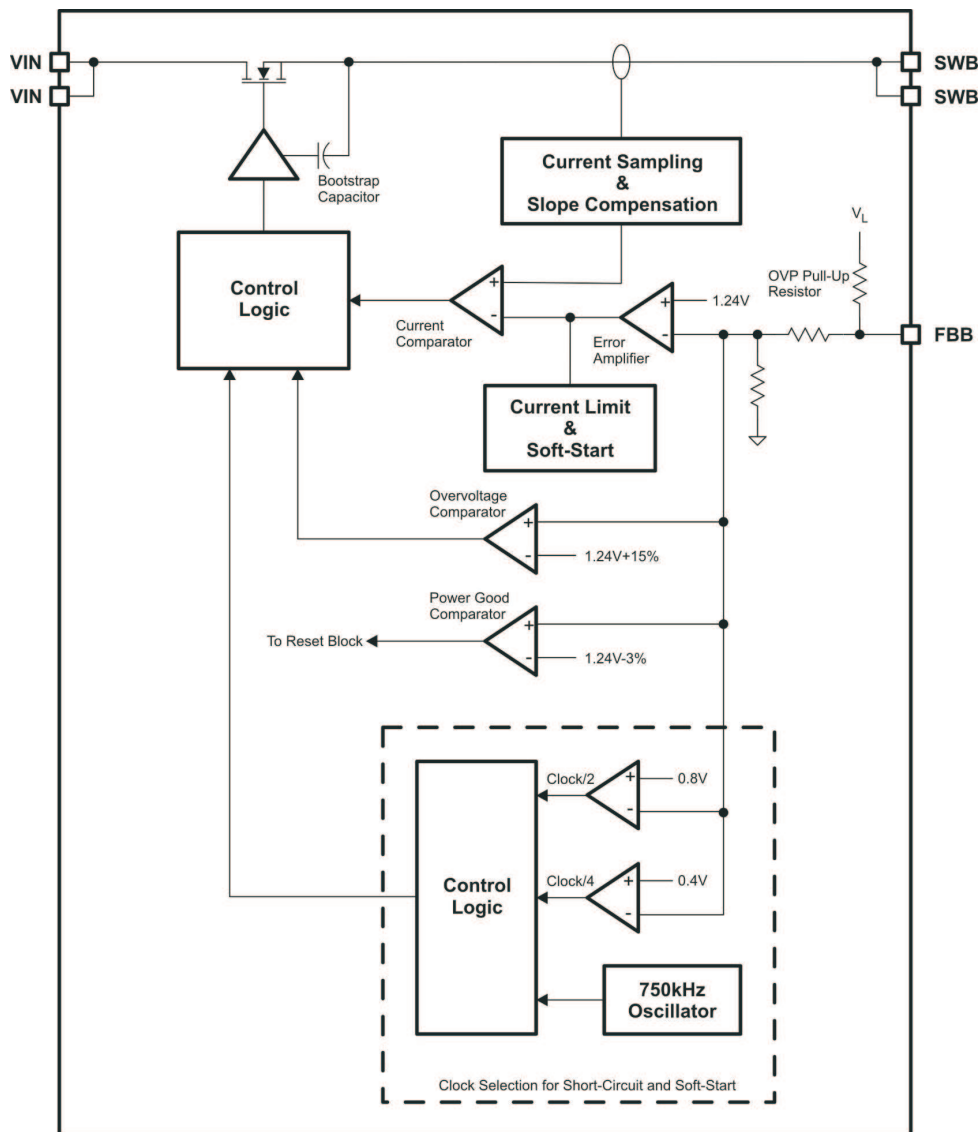


Figure 25. Buck Converter Internal Block Diagram

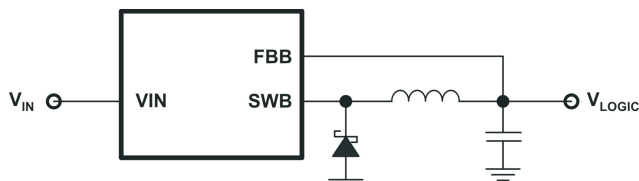


Figure 26. Buck Converter Application Circuit

### PROTECTION (BUCK CONVERTER)

To protect against short circuit conditions, the buck converter automatically limits its output current when the voltage applied to its FBB pin is less than 400mV. Normal operation is resumed as soon as the feedback voltage exceeds 400mV.

Note: since the negative charge pump is driven from its switch node, a short circuit condition on the buck converter's output will also cause the loss of  $V_{GL}$  until the short circuit is removed.

An internal pull-up prevents the buck converter from generating excessive output voltages if its FBB pin is left floating.

### Buck Converter Design Procedure

Because the negative charge pump is driven from the buck converter's switch node, the effective output current for design purposes is greater than  $I_{\text{LOGIC}}$  alone. For best performance, the effective current calculated using Equation 11 should be used during the design.

$$I_{\text{LOGIC(EFFECTIVE)}} = I_{\text{LOGIC}} + \frac{|V_{\text{GL}}| \times I_{\text{GL}}}{V_{\text{LOGIC}}} \quad (11)$$

### Calculate Converter Duty Cycle (Buck Converter)

The best way to calculate the converter's duty cycle is to use the efficiency curve in Figure 7 to determine the converter's efficiency under the anticipated load conditions and insert this value into Equation 12<sup>(1)</sup>. Alternatively, a worst-case value (e.g., 80%) can be used for efficiency.

$$D = \frac{V_{\text{LOGIC}}}{V_{\text{IN}} \times \eta} \quad (12)$$

(1) Valid only when buck converter operates in CCM.

### Calculate Maximum Output Current (Buck Converter)

The maximum output current that the buck converter can supply can be calculated using Equation 13. The minimum specified output current occurs at the minimum duty cycle (which occurs at maximum  $V_{\text{IN}}$ ) and maximum frequency (900kHz).

$$I_{\text{LOGIC(EFFECTIVE)}} = I_{\text{SW(LIM)}} - \frac{V_{\text{IN}} \times (1 - D)}{2 \times f_{\text{SW}} \times L} \times D \quad (13)$$

Where  $I_{\text{SW(LIM)}}$  is the minimum specified switch current limit (1.5A) and  $f_{\text{SW}}$  is the converter switching frequency.

### Calculate Peak Switch Current (Buck Converter)

Equation 14 can be used to calculate the peak switch current occurring in a given application. The worst-case (maximum) peak current occurs at maximum  $V_{\text{IN}}$ .

$$I_{\text{SW(PK)}} = I_{\text{LOGIC(EFFECTIVE)}} + \frac{V_{\text{IN}} \times (1 - D)}{2 \times f_{\text{SW}} \times L} \times D \quad (14)$$

### Inductor Selection (Buck Converter)

The buck converter is designed for use with inductors in the range 6.8µH to 15µH, and is optimized for 10µH. The inductor must be capable of supporting the peak current calculated by Equation 14 without saturating. Alternatively, a more conservative approach can be used in which an inductor is selected whose saturation current is greater than the maximum switch current limit (2.25A).

Another important parameter is DC resistance, which can significantly affect the overall converter efficiency. Physically larger inductors tend to have lower DC resistance (DCR) because they can use thicker wire. The type and core material of the inductor can also affect efficiency, sometimes by as much as 10%. Table 4 shows some suitable inductors.

**Table 4. Buck Converter Inductor Selection**

PART NUMBER	INDUCTOR VALUE	COMPONENT SUPPLIER	SIZE (LxWxH mm)	$I_{\text{SAT}} / \text{DCR}$
CDRH8D43	10 µH	Sumida	8.3 × 8.3 × 4.5	4A / 29 mΩ
CDRH8D38	10 µH	Sumida	8.3 × 8.3 × 4	3A / 38 mΩ
MSS 1048-103	10 µH	Coilcraft	10.5 × 10.5 × 5.1	4.8A / 26 mΩ
744066100	10 µH	Wuerth	10 × 10 × 3.8	4A / 28 mΩ

### Rectifier Diode Selection (Buck Converter)

To achieve good efficiency, the rectifier diode should be a Schottky type. Its reverse voltage rating should be higher than the maximum  $V_{IN}$ . The average rectified forward current through the diode can be calculated using [Equation 15](#).

$$I_{RECT(AVG)} = I_{LOGIC(EFFECTIVE)} \times (1 - D) \quad (15)$$

A Schottky diode with 2A average rectified current rating is adequate for most applications. Smaller diodes can be used in applications with lower output current, however, the diode must be able to handle the power dissipated in it, which can be calculated using [Equation 16](#).

$$P_{RECT} = I_{RECT(AVG)} \times V_F \quad (16)$$

**Table 5. Buck Converter Rectifier Diode Selection**

PART NUMBER	$V_R / I_{AVG}$	$V_F$	$R_{\theta JA}$	SIZE	COMPONENT SUPPLIER
MBRS320	20V / 3A	0.44V at 3A	46°C/W	SMC	International Rectifier
SL22	20V / 2A	0.44V at 2A	75°C/W	SMB	Vishay Semiconductor
SS22	20V / 2A	0.50V at 2A	75°C/W	SMB	Fairchild Semiconductor

### Output Capacitance Selection (Buck Converter)

To minimize output voltage ripple, the output capacitors should be good quality ceramic types with low ESR. The buck converter is stable over a range of output capacitance values, but an output capacitance of 44 $\mu$ F is a good starting point for typical applications.

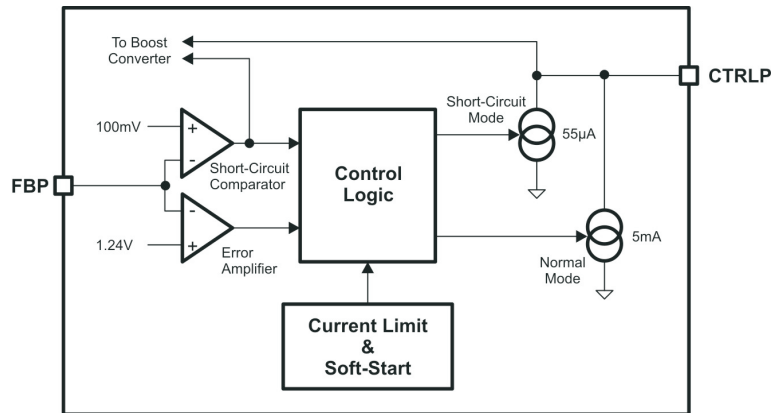
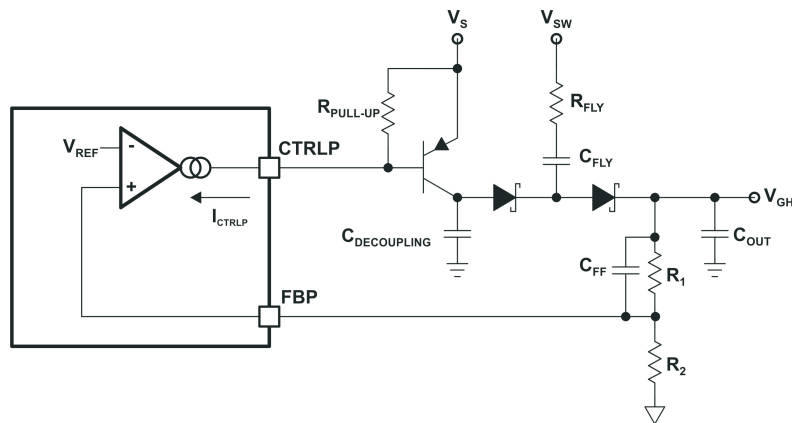
### POSITIVE CHARGE PUMP CONTROLLER

The positive charge pump is driven directly from the boost converter's switch node and regulated by controlling the current through an external PNP transistor. An internal block diagram of the positive charge pump is shown in [Figure 27](#) and a typical application circuit in [Figure 28](#).

During normal operation, the TPS65170 is able to provide up to 5mA of base current and is designed to work best with transistors whose DC gain ( $h_{FE}$ ) is between 100 and 300. The charge pump is protected against short-circuits on its output, which are detected when the voltage on the charge pump's feedback pin ( $V_{FBP}$ ) is below 100mV. During short-circuit mode, the base current available from the CTRLP pin is limited to 55 $\mu$ A (typical). Note that if a short-circuit is detected during normal operation, boost converter switching is also halted until  $V_{FBP} > 100mV$ .

#### NOTE

The emitter of the external PNP transistor should always be connected to  $V_S$ , the output of the boost converter at the output side of the isolation switch. The TPS65170 uses the CTRLP pin to sense the voltage across the isolation switch and control boost converter start-up. Connecting the emitter of the external PNP transistor to any other voltage (e.g.,  $V_{IN}$ ) will prevent proper start-up of the boost converter and positive charge pump.


**Figure 27. Positive Charge Pump Internal Block Diagram**

**Figure 28. Positive Charge Pump Application Circuit**

## POSITIVE CHARGE PUMP DESIGN PROCEDURE

### Setting the Output Voltage (Positive Charge Pump)

The positive charge pump's output voltage is programmed by a resistor divider according to [Equation 17](#).

$$V_{GH} = V_{REF} \times \left( 1 + \frac{R_1}{R_2} \right) \quad (17)$$

Where  $V_{REF}$  is the TPS65170's internal 1.24V reference.

Rearranging [Equation 17](#), the values of R1 and R2 can be easily calculated:

$$R_1 = R_2 \times \left( \frac{V_{OUT}}{V_{REF}} - 1 \right) \quad (18)$$

A current of the order of 1mA through the resistor network ensures good accuracy and increases the circuit's immunity to noise. It also ensures a minimum load on the charge pump, which reduces output voltage ripple under no-load conditions. A good approach is to assume a value of about 1.2kΩ for the lower resistor (R2) and then select the upper resistor (R1) to set the desired output voltage.

Note that the maximum voltage in an application is determined by the boost converter's output voltage and the voltage drop across the diodes and PNP transistor. For a typical application in which the positive charge pump is configured as a voltage doubler, the maximum output voltage is given by [Equation 19](#).

$$V_{GH(MAX)} = (2 \times V_S) - (2 \times V_F) - V_{CE} \quad (19)$$

Where  $V_S$  is the output voltage of the boost converter,  $V_F$  is the forward voltage of each diode and  $V_{CE}$  is the collector-emitter voltage of the PNP transistor (recommended to be at least 1V, to avoid transistor saturation).

### Selecting the Feed-Forward Capacitor (Positive Charge Pump)

To improve transient performance, a feed-forward capacitor connected across the upper feedback resistor ( $R_1$ ) is recommended. The feed-forward capacitor modifies the frequency response of the feedback network by adding the zero, which improves high frequency gain. For typical applications, a zero at 5kHz is a good place to start, in which case  $C_{FF}$  can be calculated using [Equation 20](#).

$$C_{FF} = \frac{1}{2 \times \pi \times 5 \text{ kHz} \times R_1} \quad (20)$$

### Selecting the PNP Transistor (Positive Charge Pump)

The PNP transistor used to regulate  $V_{GH}$  should have a DC gain ( $h_{FE}$ ) of at least 100 when its collector current is equal to the charge pump's output current. The transistor should also be able to withstand voltages up to  $2 \times V_S$  across its collector-emitter ( $V_{CE}$ ).

The power dissipated in the transistor is given by [Equation 21](#). The transistor must be able to dissipate this power without its junction becoming too hot. Note that the ability to dissipate power depends heavily on adequate PCB thermal design.

$$P_Q = [(2 \times V_S) - (2 \times V_F) - V_{GH}] \times I_{GH} \quad (21)$$

Where  $I_{GH}$  is the mean (not RMS) output current drawn from the charge pump.

A pull-up resistor is also required between the transistor's base and emitter. The value of this resistor is not critical, but it should be large enough not to divert significant current away from the base of the transistor. A value of 100k $\Omega$  is suitable for most applications.

### Selecting the Diodes (Positive Charge Pump)

Small-signal diodes can be used for most low current applications (<50mA) and higher rated diodes for higher power applications. The average current through the diode is equal to the output current, so that the power dissipated in the diode is given by [Equation 22](#).

$$P_D = I_{GH} \times V_F \quad (22)$$

The peak current through the diode occurs during start-up and for a few cycles may be as high as a few amps. However, this condition typically lasts for <1ms and can be tolerated by many diodes whose repetitive current rating is much lower. The diodes' reverse voltage rating should be equal to  $2 \times V_S$ .

**Table 6. Positive Charge Pump Diode Selection**

PART NUMBER	$I_{AVG}$	$I_{PK}$	$V_R$	$V_F$	COMPONENT SUPPLIER
BAV99W	150mA	1A for 1ms	75V	1V at 50mA	NXP
BAT54S	200mA	600mA for 1s	30V	0.8V at 100mA	Fairchild Semiconductor
MBR0540	500mA	5.5A for 8ms	40V	0.51 at 500mA	Fairchild Semiconductor

### Selecting the Capacitors (Positive Charge Pump)

For lowest output voltage ripple, low-ESR ceramic capacitors are recommended. The actual value is not critical and 1 $\mu$ F to 10 $\mu$ F is suitable for most applications. Larger capacitors provide better performance in applications where large load transient currents are present.

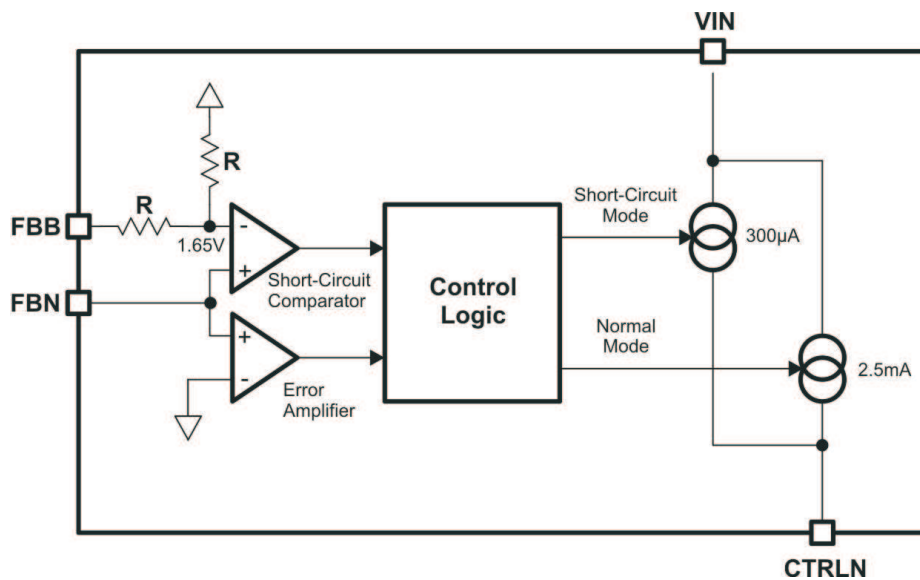
A flying capacitor in the range 100nF to 1 $\mu$ F is suitable for most applications. Larger values experience a smaller voltage drop by the end of each switching cycle, and allow higher output voltages and/or currents to be achieved. Smaller values tend to be physically smaller and cheaper. For best performance, it is recommended to include a resistor of a few ohms (2 $\Omega$  is a good value to start with) in series with the flying capacitor to limited peak currents occurring at the instant of switching.

A collector capacitor in the range 100nF to 1 $\mu$ F is suitable for most applications. Larger values are more suitable for high current applications, but can affect stability.

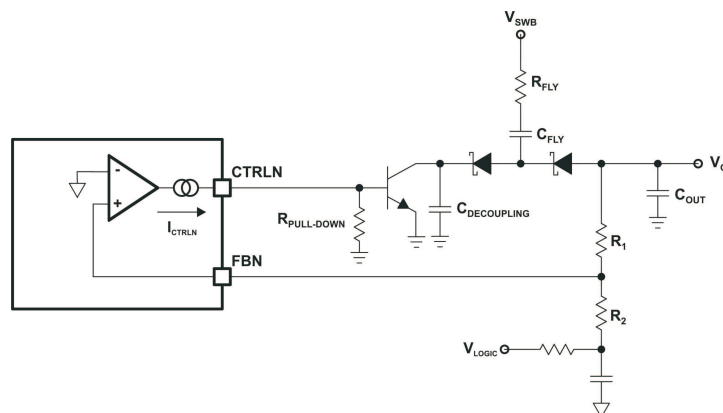
A combination of  $C_{OUT} = 10\mu\text{F}$ ,  $C_{FLY} = 1\mu\text{F}$ , and  $C_{COLLECTOR} = 100\text{nF}$  is a good starting point for most applications (the final values can be optimized on a case-by-case basis if necessary).

## NEGATIVE CHARGE PUMP

The negative charge pump controller uses an external NPN transistor to regulate an external charge pump circuit. The IC is optimized for use with transistors having a DC gain ( $h_{FE}$ ) in the range 100 to 300; however, it is possible to use transistors outside this range, depending on the application requirements. Regulation of the charge pump is achieved by using the external transistor as a controlled current source whose output depends on the voltage applied to the FBN pin: the higher the transistor current the greater the charge transferred to the output during each switching cycle and therefore the higher (i.e., the more negative) the output voltage. The internal block diagram of the negative charge pump is shown in Figure 29 and a typical application circuit in Figure 30.



**Figure 29. Negative Charge Pump Internal Block Diagram**



**Figure 30. Negative Charge Pump Application Circuit**

The TPS65170 contains a circuit to protect the negative charge pump against short circuits on its output. A short circuit condition is detected as long as the FBN pin remains above 1.65V, during which time the charge pump's output current is limited.

To ensure proper start-up under normal conditions, circuit designers should ensure that the full load current is not drawn by the load until the feedback voltage  $V_{FBN}$  is below the short circuit threshold voltage. The value of  $V_{GL}$  beyond which the negative charge pump no longer works in short-circuit mode is given by [Equation 23](#).

$$V_{GL(SC)} = -1.65 \text{ V} \times \left(1 - \frac{R_1}{R_2}\right) \quad (23)$$

## NEGATIVE CHARGE PUMP DESIGN PROCEDURE

### Setting the Output Voltage (Negative Charge Pump)

The negative charge pump's output voltage is programmed by a resistor divider according to [Equation 24](#).

$$V_{GL} = -V_{LOGIC} \times \frac{R_1}{R_2} \quad (24)$$

Rearranging [Equation 25](#), the values of R1 and R2 can be easily calculated.

$$R_1 = R_2 \times \frac{|V_{GL}|}{V_{LOGIC}} \quad (25)$$

A current of the order of 1mA through the resistor network ensures good accuracy and increases the circuit's immunity to noise. It also ensures a minimum load on the charge pump, which reduces output voltage ripple under no-load conditions. A good approach is to assume a value of about 3.3k for the lower resistor (R2) and then select the upper resistor (R1) to set the desired output voltage.

Note that the maximum voltage in an application is determined by the boost converter's output voltage and the voltage drop across the diodes and NPN transistor. For a typical application in which the negative charge pump is configured as a voltage inverter, the maximum (i.e., most negative) output voltage is given by [Equation 26](#).

$$V_{GL(MAX)} = -V_{IN} + (2 \times V_F) + V_{CE} \quad (26)$$

Where  $V_F$  is the forward voltage of each diode and  $V_{CE}$  is the collector-emitter voltage of the NPN transistor (recommended to be at least 1V, to avoid transistor saturation).

### Selecting the NPN Transistor (Negative Charge Pump)

The NPN transistor used to regulate  $V_{GL}$  should have a DC gain ( $h_{FE}$ ) of at least 100 when its collector current is equal to the charge pump's output current. The transistor should also be able to withstand voltages up to  $V_{IN}$  across its collector-emitter ( $V_{CE}$ ).

The power dissipated in the transistor is given by [Equation 27](#). The transistor must be able to dissipate this power without its junction becoming too hot. Note that the ability to dissipate power depends on adequate PCB thermal design.

$$P_Q = [V_{IN} - (2 \times V_F) - |V_{GL}|] \times I_{GL} \quad (27)$$

Where  $I_{GL}$  is the *mean* (not RMS) output current drawn from the charge pump.

### Selecting the Diodes (Negative Charge Pump)

Small-signal diodes can be used for most low current applications (<50mA) and higher rated diodes for higher power applications. The average current through the diode is equal to the output current, so that the power dissipated in the diode is given by [Equation 28](#).

$$I_{P_D} = I_{GL} \times V_F \quad (28)$$

The peak current through the diode occurs during start-up and for a few cycles may be as high as a few amps. However, this condition typically lasts for <1ms and can be tolerated by many diodes whose repetitive current rating is much lower. The diodes' reverse voltage rating should be equal to at least  $2 \times V_{IN}$ .

**Table 7. Negative Charge Pump Diode Selection**

PART NUMBER	I <sub>AVG</sub>	I <sub>PK</sub>	V <sub>R</sub>	V <sub>F</sub>	COMPONENT SUPPLIER
BAV99W	150mA	1A for 1ms	75V	1V at 50mA	NXP
BAT54S	200mA	600mA for 1s	30V	0.8V at 100mA	Fairchild Semiconductor
MBR0540	500mA	5.5A for 8ms	40V	0.51 at 500mA	Fairchild Semiconductor

### Selecting the Capacitors (Negative Charge Pump)

For lowest output voltage ripple, low-ESR ceramic capacitors are recommended. The actual value is not critical and 1μF to 10μF is suitable for most applications. Larger capacitors provide better performance in applications where large load transient currents are present.

A flying capacitor in the range 100nF to 1μF is suitable for most applications. Larger values experience a smaller voltage drop by the end of each switching cycle, and allow higher output voltages and/or currents to be achieved. Smaller values tend to be physically smaller and cheaper.

A collector capacitor in the range 100nF to 1μF is suitable for most applications. Larger values are more suitable for high current applications but can affect stability.

A combination of C<sub>OUT</sub> = 10 μF, C<sub>FLY</sub> = 1μF, and C<sub>COLLECTOR</sub> = 100nF is a good starting point for most applications (the final values can be optimized on a case-by-case basis if necessary).

### POWER SUPPLY SEQUENCING

Figure 31 shows the power supply sequencing block diagram. The four supply rails generated by the TPS65170 turn on the following sequence: first V<sub>LOGIC</sub>, then V<sub>GL</sub>, then V<sub>GH</sub> and V<sub>S</sub>, as shown in Figure 31.

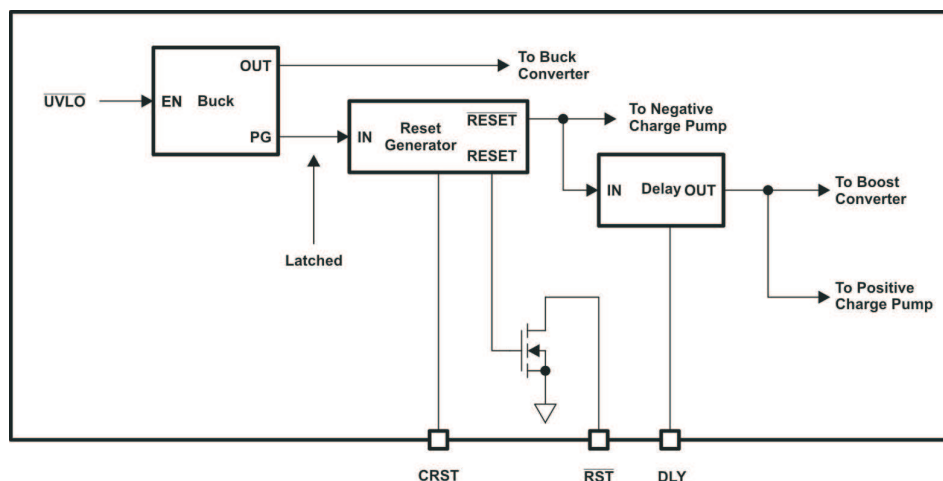
The buck converter turns on when the supply voltage exceeds the undervoltage threshold.

When the buck converter's internal power good signal has been asserted, the reset timer starts; after the reset time is over, RESET goes high and the negative charge pump is enabled. This sequence ensures that the negative charge pump, which is driven by the switch node of the buck converter, does not attempt to draw current until the T-CON is out of reset and drawing current from V<sub>LOGIC</sub>.

At the same time as the negative charge pump is enabled, an internal delay timer is started. This timer generates a delay, after which the boost converter and positive charge pump are enabled. The delay time t<sub>DLY</sub> is determined by the capacitor C<sub>DLY</sub> connected between the DLY pin and AGND according to Equation 29.

$$t_{DLY} = \frac{C_{DLY} \times V_{REF}}{I_{DLY}} \quad (29)$$

No special sequencing is implemented during power-down, and all power supplies are disabled if V<sub>IN</sub> falls below V<sub>UVLO</sub>.


**Figure 31. Power Supply Sequencing Block Diagram**

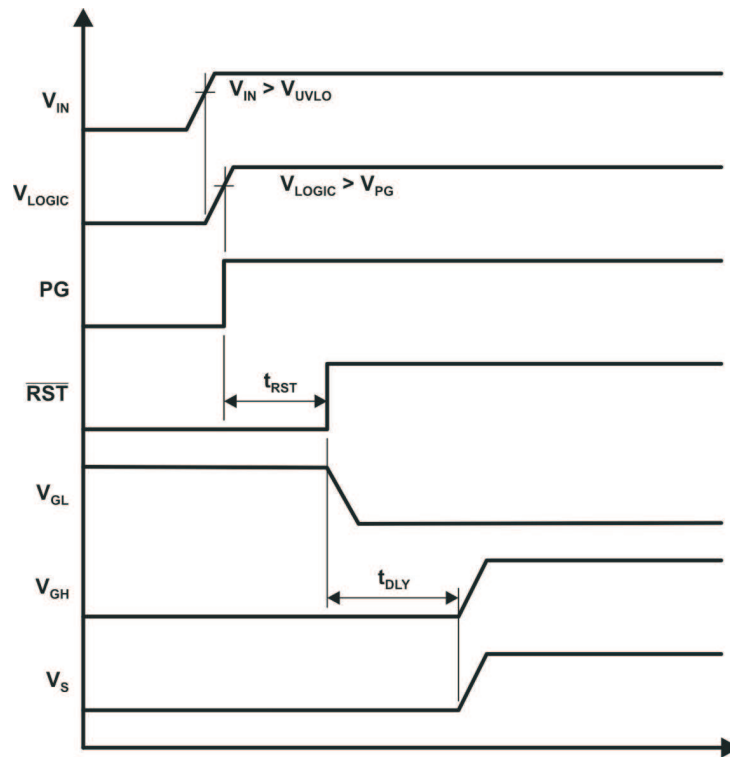
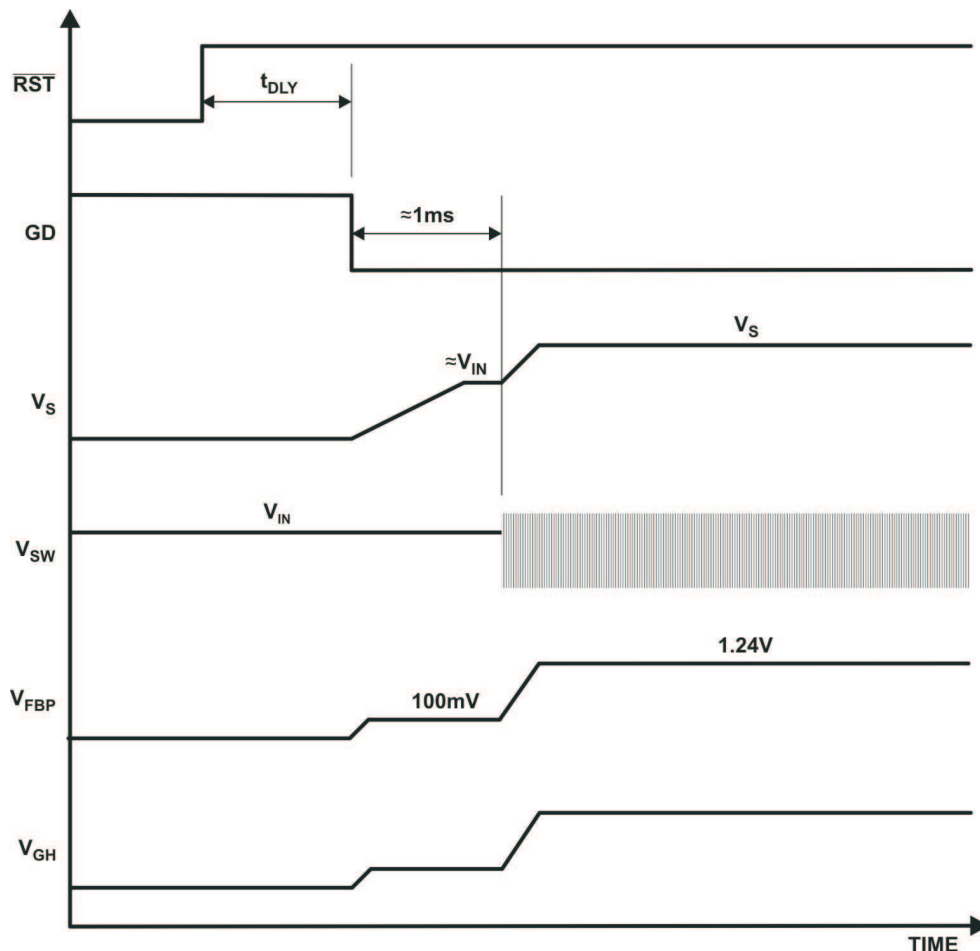


Figure 32. Power Supply Sequencing

### POWER SUPPLY SEQUENCING IN DETAIL

The detailed start-up behavior of the boost converter and positive charge pump is illustrated in [Figure 33](#).



**Figure 33. Boost Converter and Positive Charge Pump Detailed Start-Up Behavior**

The isolation switch is enabled when the GD pin goes low,  $t_{DLY}$  seconds after  $\overline{RST}$  goes high. When the isolation switch turns on,  $V_S$  rises at a rate determined by the RC network controlling the switch's gate and the amount of capacitance on the output. The TPS65170 senses the rising  $V_S$  via the CTRLP pin and 1ms after GD goes low checks that  $V_S \approx V_{IN}$ . If it is, then the boost converter is enabled. This scheme prevents the boost converter from switching before the isolation switch is fully enabled, which could otherwise cause overvoltage conditions to damage the switch node. If  $V_S$  does not reach  $\approx V_{IN}$  within 1ms of the GD pin going low, the TPS65170 detects an error condition and the boost converter is not enabled.

The positive charge pump's short-circuit mode is enabled when the GD pin goes low. Although the boost converter is not switching at this point, there is a DC path from  $V_S$  to  $V_{GH}$  and the output ramps up as current flows into the collector capacitor and output capacitors. When  $V_{FBP}$  reaches 100mV the IC determines that no short-circuit exists and the output current from the CTRLP pin is disabled temporarily. (If there is no significant load connected to  $V_{GH}$ , the output voltage will remain almost constant, held-up by the output capacitance; if there is a load, the output voltage will decay.) When the boost converter starts switching, the positive charge pump's normal operation is enabled and  $V_{GH}$  ramps up to its programmed value. (Note that the positive charge pump implements a soft-start characteristic that ramps the current available from the CTRLP pin over time. This causes the collector voltage of the regulating PNP to temporarily go negative.)

## RESET GENERATOR

The reset generator generates an active low signal that can be used to reset the timing controller used in LCD applications. The RST output is an open-drain type and requires an external pull-up resistor. This signal is typically pulled up to the 3.3V supply generated by the buck converter, which also supplies the timing controller's I/O functions.

Reset pulse timing starts when the buck converter's internal power good signal is asserted and its duration is set by the size of the capacitor connected between the CRST pin and AGND, as described by Equation 30.

$$t_{RST} = \frac{C_{RST} \times V_{REF}}{I_{RST}} \quad (30)$$

The duration of the reset pulse also affects power supply sequencing, as the boost converter and positive charge pump are not enabled until the reset pulse is finished. In applications that do not require a reset signal the RST pin can be left floating or tied to AGND. This will not prevent boost converter or positive charge pump from starting.

If the CRST pin is left open circuit, the duration of the reset pulse will be close to zero (determined only by the parasitic capacitance present), and the boost converter and positive charge pump will start up instantaneously.

Alternatively, the CRST pin can also be used to enable the boost converter and charge pumps by connecting an 3.3V logic level ENABLE signal via a 10kΩ resistor, as shown in Figure 34. Using this scheme, the buck converter starts as soon as  $V_{IN}$  exceeds the UVLO threshold, but the negative charge pump is not enabled until ENABLE goes high. RST also remains low until ENABLE goes high. The boost regulator and positive charge pump enabled  $t_{DLY}$  seconds after ENABLE goes high, where  $t_{DLY}$  is defined by the capacitor connected to the DLY pin. The resulting power supply sequencing is shown in Figure 35.

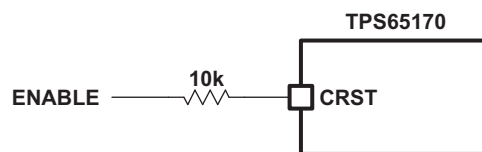


Figure 34. Using an ENABLE Signal to Control Boost Converter and Charge Pumps

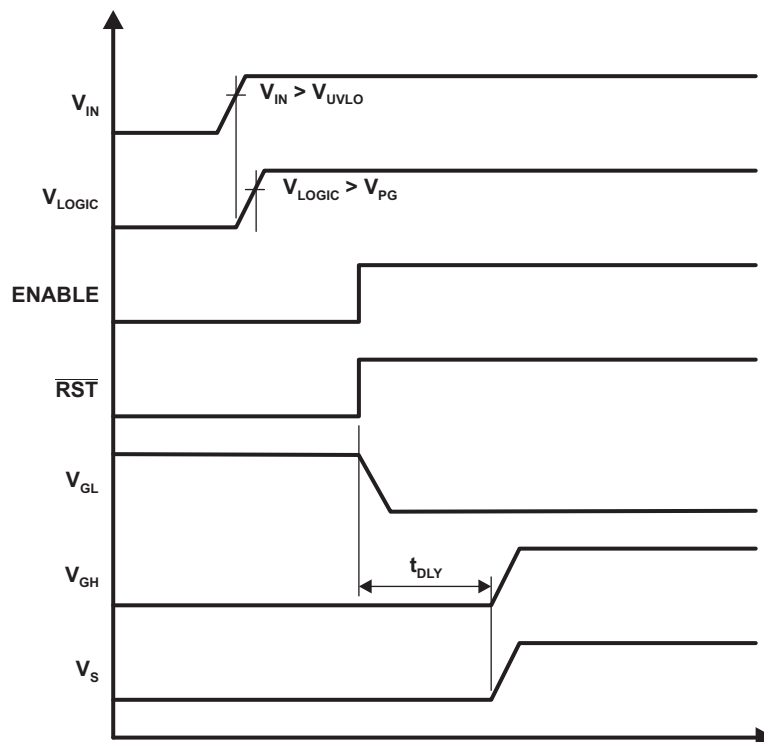


Figure 35. Power Supply Sequencing Using an Enable Signal



**PACKAGING INFORMATION**

Orderable Device	Status (1)	Package Type	Package Drawing	Pins	Package Qty	Eco Plan (2)	Lead/Ball Finish (6)	MSL Peak Temp (3)	Op Temp (°C)	Device Marking (4/5)	Samples
TPS65170RHDR	ACTIVE	VQFN	RHD	28	3000	Green (RoHS & no Sb/Br)	CU NIPDAU	Level-2-260C-1 YEAR	-40 to 85	TPS 65170	<a href="#">Samples</a>
TPS65170RHDT	ACTIVE	VQFN	RHD	28	250	Green (RoHS & no Sb/Br)	CU NIPDAU	Level-2-260C-1 YEAR	-40 to 85	TPS 65170	<a href="#">Samples</a>

(1) The marketing status values are defined as follows:

**ACTIVE:** Product device recommended for new designs.

**LIFEBUY:** TI has announced that the device will be discontinued, and a lifetime-buy period is in effect.

**NRND:** Not recommended for new designs. Device is in production to support existing customers, but TI does not recommend using this part in a new design.

**PREVIEW:** Device has been announced but is not in production. Samples may or may not be available.

**OBSOLETE:** TI has discontinued the production of the device.

(2) Eco Plan - The planned eco-friendly classification: Pb-Free (RoHS), Pb-Free (RoHS Exempt), or Green (RoHS & no Sb/Br) - please check <http://www.ti.com/productcontent> for the latest availability information and additional product content details.

**TBD:** The Pb-Free/Green conversion plan has not been defined.

**Pb-Free (RoHS):** TI's terms "Lead-Free" or "Pb-Free" mean semiconductor products that are compatible with the current RoHS requirements for all 6 substances, including the requirement that lead not exceed 0.1% by weight in homogeneous materials. Where designed to be soldered at high temperatures, TI Pb-Free products are suitable for use in specified lead-free processes.

**Pb-Free (RoHS Exempt):** This component has a RoHS exemption for either 1) lead-based flip-chip solder bumps used between the die and package, or 2) lead-based die adhesive used between the die and leadframe. The component is otherwise considered Pb-Free (RoHS compatible) as defined above.

**Green (RoHS & no Sb/Br):** TI defines "Green" to mean Pb-Free (RoHS compatible), and free of Bromine (Br) and Antimony (Sb) based flame retardants (Br or Sb do not exceed 0.1% by weight in homogeneous material)

(3) MSL, Peak Temp. - The Moisture Sensitivity Level rating according to the JEDEC industry standard classifications, and peak solder temperature.

(4) There may be additional marking, which relates to the logo, the lot trace code information, or the environmental category on the device.

(5) Multiple Device Markings will be inside parentheses. Only one Device Marking contained in parentheses and separated by a "~" will appear on a device. If a line is indented then it is a continuation of the previous line and the two combined represent the entire Device Marking for that device.

(6) Lead/Ball Finish - Orderable Devices may have multiple material finish options. Finish options are separated by a vertical ruled line. Lead/Ball Finish values may wrap to two lines if the finish value exceeds the maximum column width.

**Important Information and Disclaimer:** The information provided on this page represents TI's knowledge and belief as of the date that it is provided. TI bases its knowledge and belief on information provided by third parties, and makes no representation or warranty as to the accuracy of such information. Efforts are underway to better integrate information from third parties. TI has taken and continues to take reasonable steps to provide representative and accurate information but may not have conducted destructive testing or chemical analysis on incoming materials and chemicals. TI and TI suppliers consider certain information to be proprietary, and thus CAS numbers and other limited information may not be available for release.

In no event shall TI's liability arising out of such information exceed the total purchase price of the TI part(s) at issue in this document sold by TI to Customer on an annual basis.

**TAPE AND REEL INFORMATION**

**QUADRANT ASSIGNMENTS FOR PIN 1 ORIENTATION IN TAPE**


\*All dimensions are nominal

Device	Package Type	Package Drawing	Pins	SPQ	Reel Diameter (mm)	Reel Width W1 (mm)	A0 (mm)	B0 (mm)	K0 (mm)	P1 (mm)	W (mm)	Pin1 Quadrant
TPS65170RHDR	VQFN	RHD	28	3000	330.0	12.4	5.3	5.3	1.1	8.0	12.0	Q2
TPS65170RHDR	VQFN	RHD	28	3000	330.0	12.4	5.3	5.3	1.5	8.0	12.0	Q2
TPS65170RHDT	VQFN	RHD	28	250	180.0	12.4	5.3	5.3	1.1	8.0	12.0	Q2

**TAPE AND REEL BOX DIMENSIONS**


\*All dimensions are nominal

Device	Package Type	Package Drawing	Pins	SPQ	Length (mm)	Width (mm)	Height (mm)
TPS65170RHDR	VQFN	RHD	28	3000	367.0	367.0	35.0
TPS65170RHDR	VQFN	RHD	28	3000	367.0	367.0	35.0
TPS65170RHDT	VQFN	RHD	28	250	210.0	185.0	35.0

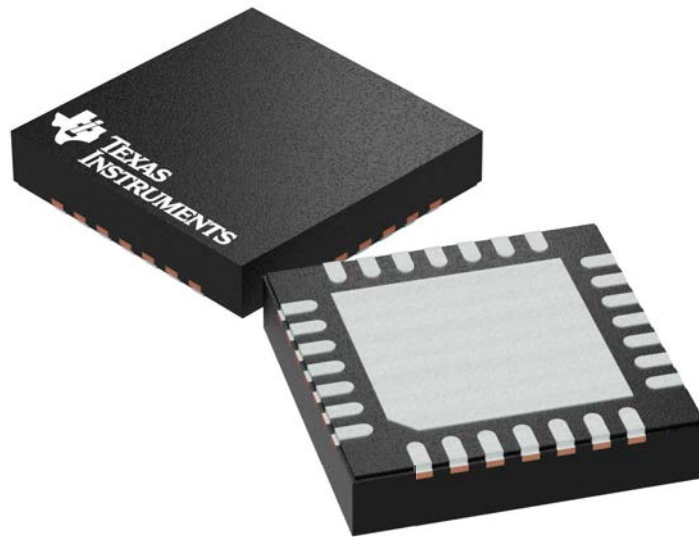
**GENERIC PACKAGE VIEW**

**RHD 28**

**VQFN - 1 mm max height**

**5 x 5 mm, 0.5 mm pitch**

PLASTIC QUAD FLATPACK - NO LEAD



Images above are just a representation of the package family, actual package may vary.  
Refer to the product data sheet for package details.

4204400/G



# THERMAL PAD MECHANICAL DATA

RHD (S-PVQFN-N28)

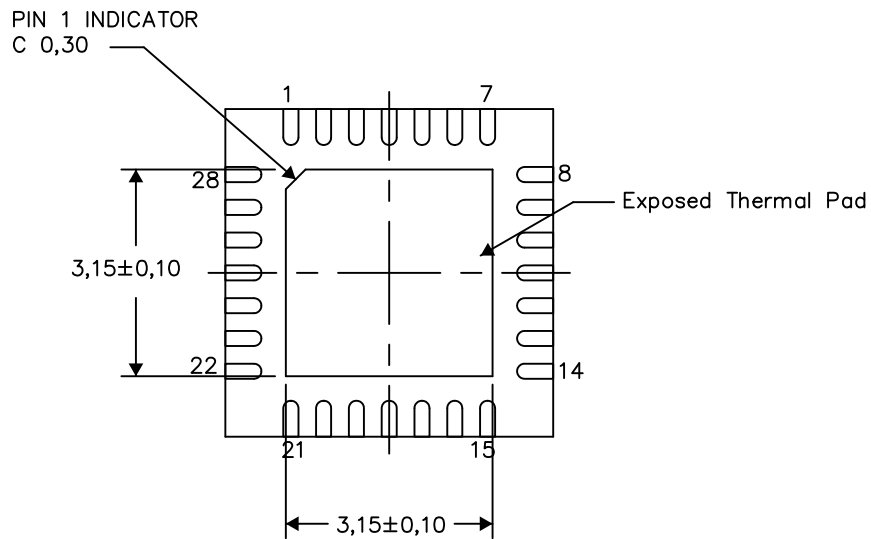
PLASTIC QUAD FLATPACK NO-LEAD

## THERMAL INFORMATION

This package incorporates an exposed thermal pad that is designed to be attached directly to an external heatsink. The thermal pad must be soldered directly to the printed circuit board (PCB). After soldering, the PCB can be used as a heatsink. In addition, through the use of thermal vias, the thermal pad can be attached directly to the appropriate copper plane shown in the electrical schematic for the device, or alternatively, can be attached to a special heatsink structure designed into the PCB. This design optimizes the heat transfer from the integrated circuit (IC).

For information on the Quad Flatpack No-Lead (QFN) package and its advantages, refer to Application Report, QFN/SON PCB Attachment, Texas Instruments Literature No. SLUA271. This document is available at [www.ti.com](http://www.ti.com).

The exposed thermal pad dimensions for this package are shown in the following illustration.



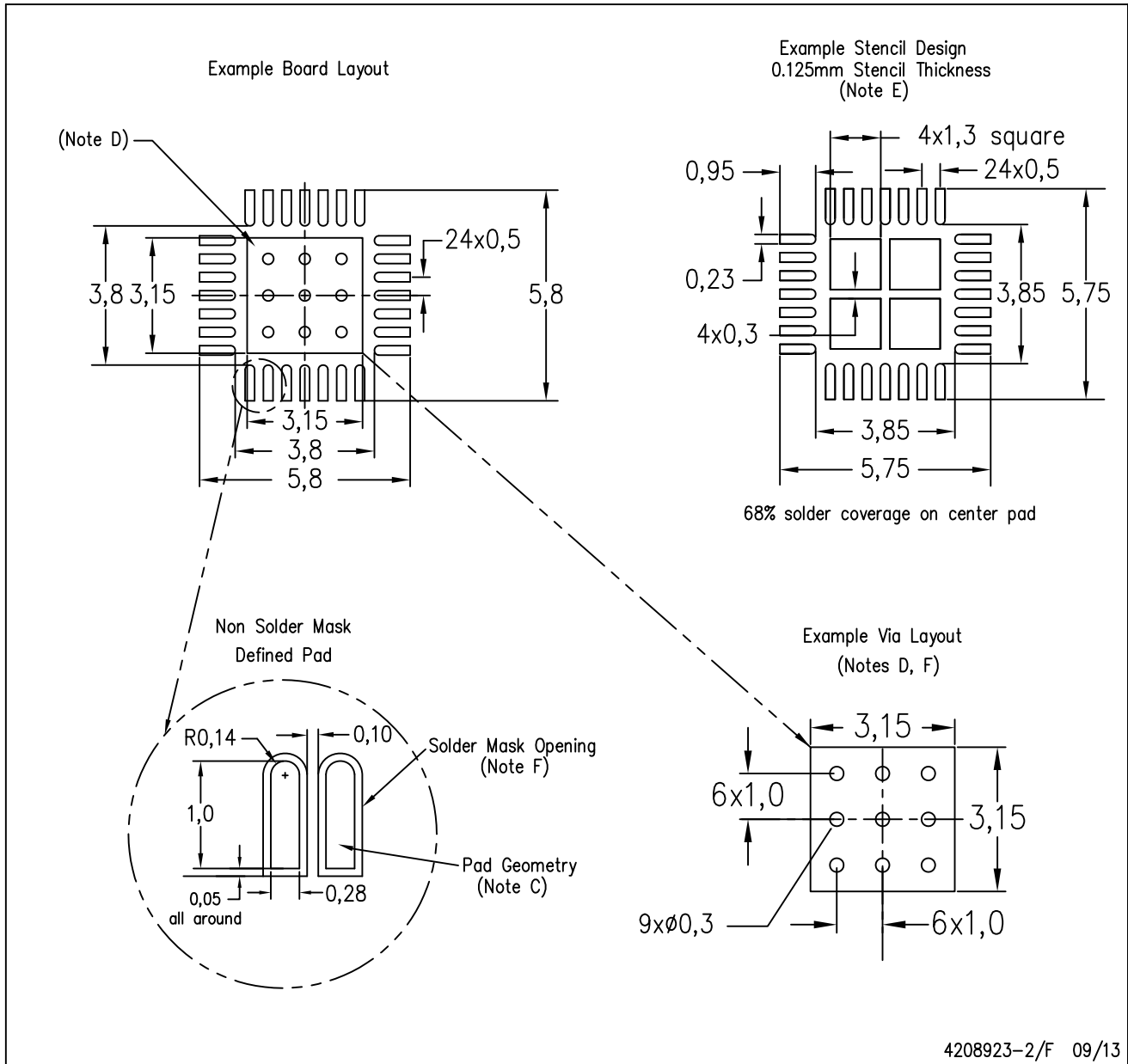
Exposed Thermal Pad Dimensions

4206358-2/L 05/15

NOTE: All linear dimensions are in millimeters

RHD (S-PVQFN-N28)

PLASTIC QUAD FLATPACK NO-LEAD



- NOTES:
- A. All linear dimensions are in millimeters.
  - B. This drawing is subject to change without notice.
  - C. Publication IPC-7351 is recommended for alternate designs.
  - D. This package is designed to be soldered to a thermal pad on the board. Refer to Application Note, Quad Flat-Pack Packages, Texas Instruments Literature No. SLUA271, and also the Product Data Sheets for specific thermal information, via requirements, and recommended board layout. These documents are available at [www.ti.com](http://www.ti.com) <<http://www.ti.com>>.
  - E. Laser cutting apertures with trapezoidal walls and also rounding corners will offer better paste release. Customers should contact their board assembly site for stencil design recommendations. Refer to IPC 7525 for stencil design considerations.
  - F. Customers should contact their board fabrication site for recommended solder mask tolerances and via tenting recommendations for vias placed in thermal pad.

## IMPORTANT NOTICE

Texas Instruments Incorporated (TI) reserves the right to make corrections, enhancements, improvements and other changes to its semiconductor products and services per JESD46, latest issue, and to discontinue any product or service per JESD48, latest issue. Buyers should obtain the latest relevant information before placing orders and should verify that such information is current and complete.

TI's published terms of sale for semiconductor products (<http://www.ti.com/sc/docs/stdterms.htm>) apply to the sale of packaged integrated circuit products that TI has qualified and released to market. Additional terms may apply to the use or sale of other types of TI products and services.

Reproduction of significant portions of TI information in TI data sheets is permissible only if reproduction is without alteration and is accompanied by all associated warranties, conditions, limitations, and notices. TI is not responsible or liable for such reproduced documentation. Information of third parties may be subject to additional restrictions. Resale of TI products or services with statements different from or beyond the parameters stated by TI for that product or service voids all express and any implied warranties for the associated TI product or service and is an unfair and deceptive business practice. TI is not responsible or liable for any such statements.

Buyers and others who are developing systems that incorporate TI products (collectively, "Designers") understand and agree that Designers remain responsible for using their independent analysis, evaluation and judgment in designing their applications and that Designers have full and exclusive responsibility to assure the safety of Designers' applications and compliance of their applications (and of all TI products used in or for Designers' applications) with all applicable regulations, laws and other applicable requirements. Designer represents that, with respect to their applications, Designer has all the necessary expertise to create and implement safeguards that (1) anticipate dangerous consequences of failures, (2) monitor failures and their consequences, and (3) lessen the likelihood of failures that might cause harm and take appropriate actions. Designer agrees that prior to using or distributing any applications that include TI products, Designer will thoroughly test such applications and the functionality of such TI products as used in such applications.

TI's provision of technical, application or other design advice, quality characterization, reliability data or other services or information, including, but not limited to, reference designs and materials relating to evaluation modules, (collectively, "TI Resources") are intended to assist designers who are developing applications that incorporate TI products; by downloading, accessing or using TI Resources in any way, Designer (individually or, if Designer is acting on behalf of a company, Designer's company) agrees to use any particular TI Resource solely for this purpose and subject to the terms of this Notice.

TI's provision of TI Resources does not expand or otherwise alter TI's applicable published warranties or warranty disclaimers for TI products, and no additional obligations or liabilities arise from TI providing such TI Resources. TI reserves the right to make corrections, enhancements, improvements and other changes to its TI Resources. TI has not conducted any testing other than that specifically described in the published documentation for a particular TI Resource.

Designer is authorized to use, copy and modify any individual TI Resource only in connection with the development of applications that include the TI product(s) identified in such TI Resource. NO OTHER LICENSE, EXPRESS OR IMPLIED, BY ESTOPPEL OR OTHERWISE TO ANY OTHER TI INTELLECTUAL PROPERTY RIGHT, AND NO LICENSE TO ANY TECHNOLOGY OR INTELLECTUAL PROPERTY RIGHT OF TI OR ANY THIRD PARTY IS GRANTED HEREIN, including but not limited to any patent right, copyright, mask work right, or other intellectual property right relating to any combination, machine, or process in which TI products or services are used. Information regarding or referencing third-party products or services does not constitute a license to use such products or services, or a warranty or endorsement thereof. Use of TI Resources may require a license from a third party under the patents or other intellectual property of the third party, or a license from TI under the patents or other intellectual property of TI.

TI RESOURCES ARE PROVIDED "AS IS" AND WITH ALL FAULTS. TI DISCLAIMS ALL OTHER WARRANTIES OR REPRESENTATIONS, EXPRESS OR IMPLIED, REGARDING RESOURCES OR USE THEREOF, INCLUDING BUT NOT LIMITED TO ACCURACY OR COMPLETENESS, TITLE, ANY EPIDEMIC FAILURE WARRANTY AND ANY IMPLIED WARRANTIES OF MERCHANTABILITY, FITNESS FOR A PARTICULAR PURPOSE, AND NON-INFRINGEMENT OF ANY THIRD PARTY INTELLECTUAL PROPERTY RIGHTS. TI SHALL NOT BE LIABLE FOR AND SHALL NOT DEFEND OR INDEMNIFY DESIGNER AGAINST ANY CLAIM, INCLUDING BUT NOT LIMITED TO ANY INFRINGEMENT CLAIM THAT RELATES TO OR IS BASED ON ANY COMBINATION OF PRODUCTS EVEN IF DESCRIBED IN TI RESOURCES OR OTHERWISE. IN NO EVENT SHALL TI BE LIABLE FOR ANY ACTUAL, DIRECT, SPECIAL, COLLATERAL, INDIRECT, PUNITIVE, INCIDENTAL, CONSEQUENTIAL OR EXEMPLARY DAMAGES IN CONNECTION WITH OR ARISING OUT OF TI RESOURCES OR USE THEREOF, AND REGARDLESS OF WHETHER TI HAS BEEN ADVISED OF THE POSSIBILITY OF SUCH DAMAGES.

Unless TI has explicitly designated an individual product as meeting the requirements of a particular industry standard (e.g., ISO/TS 16949 and ISO 26262), TI is not responsible for any failure to meet such industry standard requirements.

Where TI specifically promotes products as facilitating functional safety or as compliant with industry functional safety standards, such products are intended to help enable customers to design and create their own applications that meet applicable functional safety standards and requirements. Using products in an application does not by itself establish any safety features in the application. Designers must ensure compliance with safety-related requirements and standards applicable to their applications. Designer may not use any TI products in life-critical medical equipment unless authorized officers of the parties have executed a special contract specifically governing such use. Life-critical medical equipment is medical equipment where failure of such equipment would cause serious bodily injury or death (e.g., life support, pacemakers, defibrillators, heart pumps, neurostimulators, and implantables). Such equipment includes, without limitation, all medical devices identified by the U.S. Food and Drug Administration as Class III devices and equivalent classifications outside the U.S.

TI may expressly designate certain products as completing a particular qualification (e.g., Q100, Military Grade, or Enhanced Product). Designers agree that it has the necessary expertise to select the product with the appropriate qualification designation for their applications and that proper product selection is at Designers' own risk. Designers are solely responsible for compliance with all legal and regulatory requirements in connection with such selection.

Designer will fully indemnify TI and its representatives against any damages, costs, losses, and/or liabilities arising out of Designer's non-compliance with the terms and provisions of this Notice.

## Looking for pricing, stock, or lifecycle information?

Click below to explore more details on WIN SOURCE:

 [View TPS65170RHDR on WIN SOURCE](#)

 [Texas Instruments](#) Information

## Optimize Your Supply Chain with WIN SOURCE Solutions

-  Global Sourcing Solution
-  Obsolete Management
-  Cost Control Management
-  Shortage Management
-  Alternative Solution
-  Excess Inventory Management