



# THE DATASHEET OF TPA3003D2PFBR





## 3-W STEREO CLASS-D AUDIO POWER AMPLIFIER WITH DC VOLUME CONTROL

### FEATURES

- 3-W/Ch Into an 8-Ω Load From 12-V Supply
- Efficient, Class-D Operation Eliminates Heatsinks and Reduces Power Supply Requirements
- 32-Step DC Volume Control From -40 dB to 36 dB
- Third Generation Modulation Techniques
  - Replaces Large LC Filter With Small Low-Cost Ferrite Bead Filter
- Thermal and Short-Circuit Protection

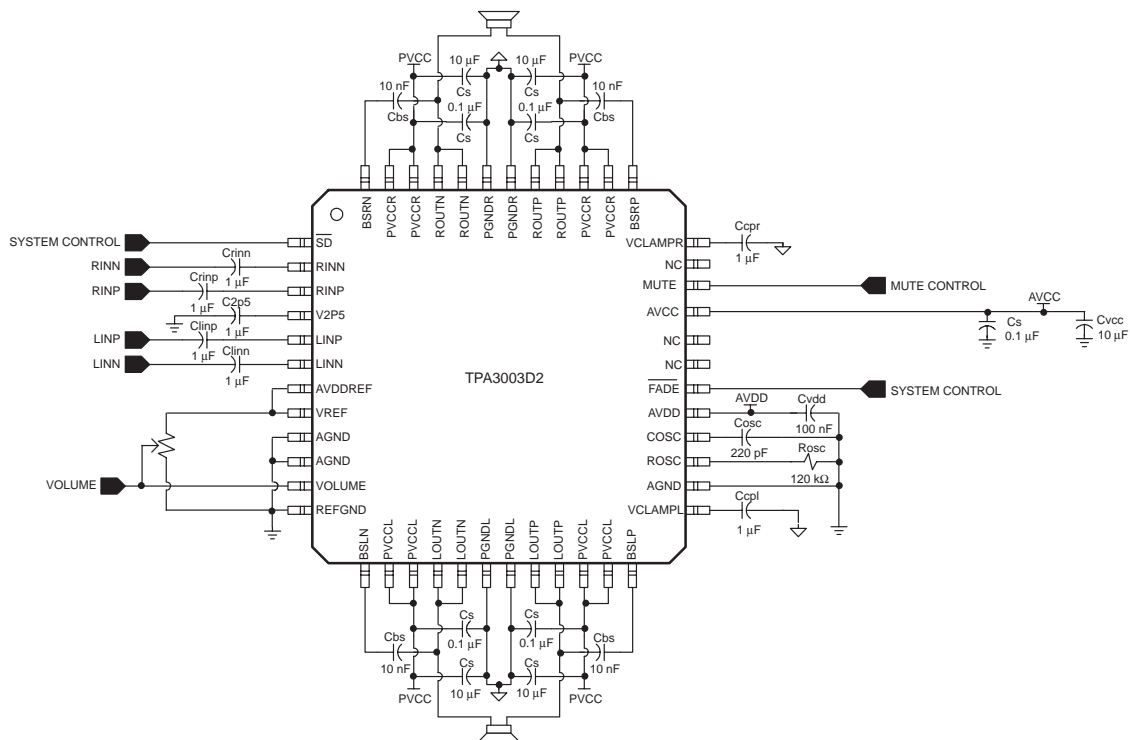
### APPLICATIONS

- LCD Monitors and TVs
- Powered Speakers

### DESCRIPTION

The TPA3003D2 is a 3-W (per channel) efficient, Class-D audio amplifier for driving bridged-tied stereo speakers. The TPA3003D2 can drive stereo speakers as low as 8 Ω. The high efficiency of the TPA3003D2 eliminates the need for external heatsinks when playing music.

Stereo speaker volume is controlled with a dc voltage applied to the volume control terminal offering a range of gain from -40 dB to 36 dB.



Please be aware that an important notice concerning availability, standard warranty, and use in critical applications of Texas Instruments semiconductor products and disclaimers thereto appears at the end of this data sheet.

PRODUCTION DATA information is current as of publication date. Products conform to specifications per the terms of Texas Instruments standard warranty. Production processing does not necessarily include testing of all parameters.

# TPA3003D2

SLOS406A – FEBRUARY 2003 – REVISED MARCH 2003

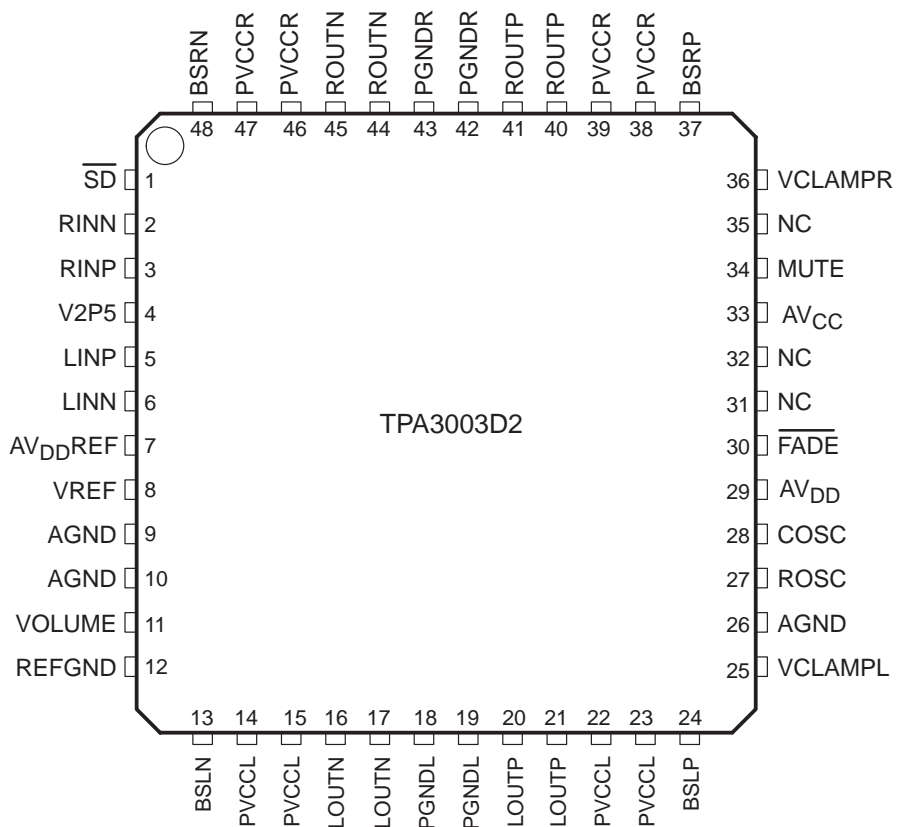
## AVAILABLE OPTIONS

| T <sub>A</sub> | PACKAGED DEVICE |
|----------------|-----------------|
|                | –40°C to 85°C   |

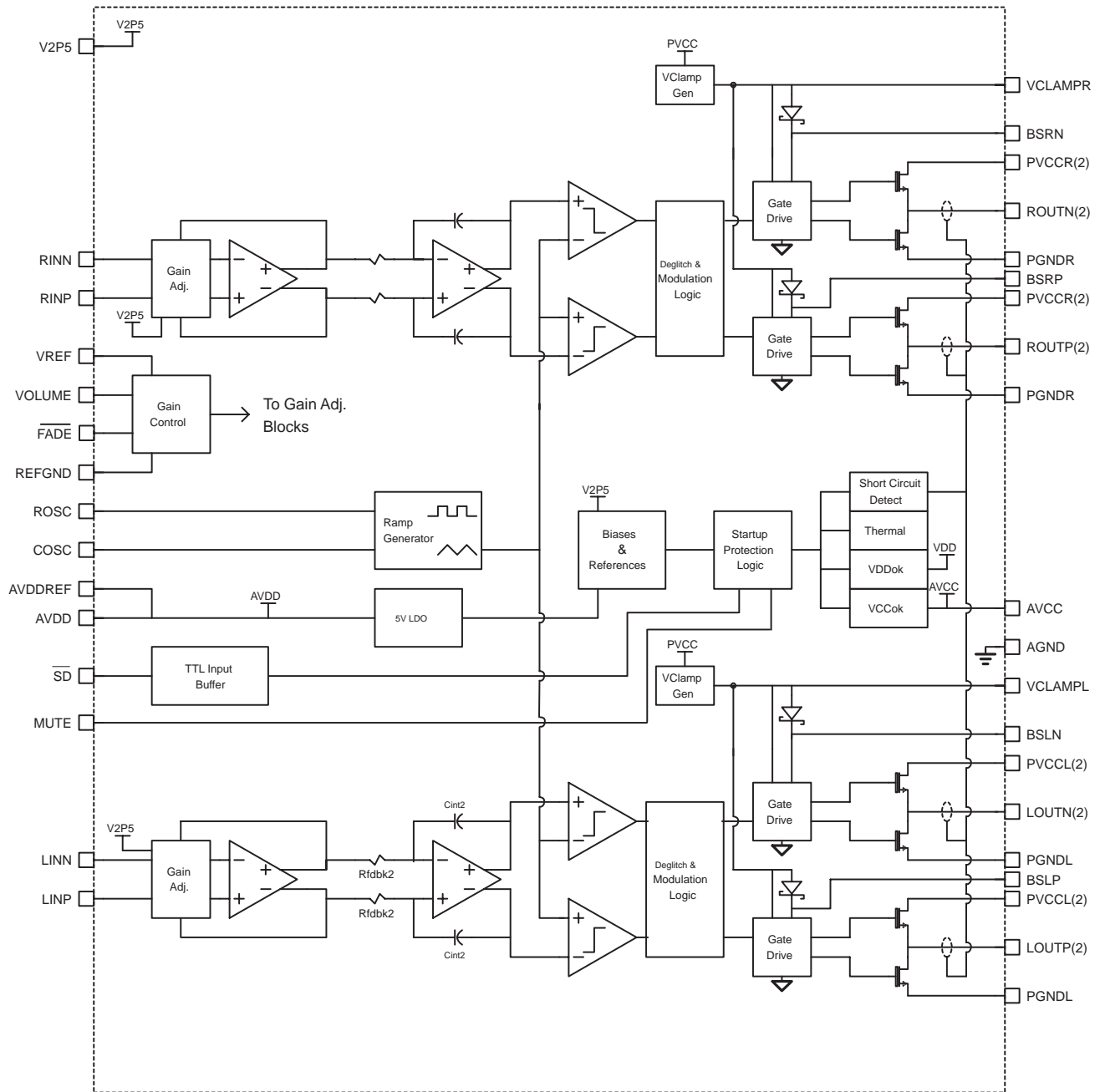
<sup>†</sup> The PFB package is available taped and reeled. To order a taped and reeled part, add the suffix R to the part number (e.g., TPA3003D2PFBR).

## PHP PACKAGE

(TOP VIEW)



functional block diagram



**Terminal Functions**

| TERMINAL NO.    | NAME       | I/O | DESCRIPTION  |
|-----------------|------------|-----|--|
| AGND            | 9, 10, 26  | –   | Analog ground for digital/analog cells in core   |
| AVCC            | 33         | –   | High-voltage analog power supply (8.5 V to 14 V)   |
| AVDD            | 29         | O   | 5-V Regulated output   |
| AVDDREF         | 7          | O   | 5-V Reference output—provided for connection to adjacent VREF terminal.  |
| BSLN            | 13         | I/O | Bootstrap I/O for left channel, negative high-side FET   |
| BSLP            | 24         | I/O | Bootstrap I/O for left channel, positive high-side FET   |
| BSRN            | 48         | I/O | Bootstrap I/O for right channel, negative high-side FET  |
| BSRP            | 37         | I/O | Bootstrap I/O for right channel, positive high-side FET  |
| COSC            | 28         | I/O | I/O for charge/discharging currents onto capacitor for ramp generator triangle wave biased at V2P5   |
| FADE            | 30         | I   | Input for controlling volume ramp rate when cycling $\overline{SD}$ or during power-up. A logic low on this pin places the amplifier in fade mode. A logic high on this pin allows a quick transition to the desired volume setting. |
| LINN            | 6          | I   | Negative differential audio input for left channel   |
| LINP            | 5          | I   | Positive differential audio input for left channel   |
| LOUTN           | 16, 17     | O   | Class-D 1/2-H-bridge negative output for left channel  |
| LOUTP           | 20, 21     | O   | Class-D 1/2-H-bridge positive output for left channel  |
| MUTE            | 34         | I   | A logic high on this pin disables the outputs. A low on this pin enables the outputs.  |
| NC              | 31, 32, 35 | –   | Not internally connected   |
| PGNDL           | 18, 19     | –   | Power ground for left channel H-bridge   |
| PGNDR           | 42, 43     | –   | Power ground for right channel H-bridge  |
| PVCCL           | 14, 15     | –   | Power supply for left channel H-bridge (tied to pins 22 and 23 internally), not connected to PVCCR or AVCC.  |
| PVCCL           | 22, 23     | –   | Power supply for left channel H-bridge (tied to pins 14 and 15 internally), not connected to PVCCR or AVCC.  |
| PVCCR           | 38,39      | –   | Power supply for right channel H-bridge (tied to pins 46 and 47 internally), not connected to PVCCL or AVCC.   |
| PVCCR           | 46, 47     | –   | Power supply for right channel H-bridge (tied to pins 38 and 39 internally), not connected to PVCCL or AVCC.   |
| REFGND          | 12         | –   | Ground for gain control circuitry. Connect to AGND. If using a DAC to control the volume, connect the DAC ground to this terminal.   |
| RINP            | 3          | I   | Positive differential audio input for right channel  |
| RINN            | 2          | I   | Negative differential audio input for right channel  |
| ROSC            | 27         | I/O | Current setting resistor for ramp generator. Nominally equal to $1/8 \cdot V_{CC}$   |
| ROUTN           | 44, 45     | O   | Class-D 1/2-H-bridge negative output for right channel   |
| ROUTP           | 40, 41     | O   | Class-D 1/2-H-bridge positive output for right channel   |
| $\overline{SD}$ | 1          | I   | Shutdown signal for IC (low = shutdown, high = operational). TTL logic levels with compliance to $V_{CC}$ .  |
| VCLAMPL         | 25         | –   | Internally generated voltage supply for left channel bootstrap capacitors.   |
| VCLAMPR         | 36         | –   | Internally generated voltage supply for right channel bootstrap capacitors.  |
| VOLUME          | 11         | I   | DC voltage that sets the gain of the amplifier.  |
| VREF            | 8          | I   | Analog reference for gain control section.   |
| V2P5            | 4          | O   | 2.5-V Reference for analog cells, as well as reference for unused audio input when using single-ended inputs.  |

**absolute maximum ratings over operating free-air temperature range (unless otherwise noted)†**

|  |                                       |       |                              |
|--|---------------------------------------|-------|------------------------------|
| Supply voltage range:  | $AV_{CC}, PV_{CC}$                    | ..... | -0.3 V to 15 V               |
| Input voltage range, $V_I$ :                                 | MUTE, VREF, VOLUME, $\overline{FADE}$ | ..... | 0 V to 5.5 V                 |
|  | $\overline{SD}$                       | ..... | -0.3 V to $V_{CC} + 0.3$ V   |
|  | RINN, RINP, LINN, LINP                | ..... | -0.3 V to 7 V                |
| Supply current,  | $AV_{DD}$                             | ..... | 10 mA                        |
|  | AVDDREF                               | ..... | 10 mA                        |
| Continuous total power dissipation                           |                                       | ..... | See Dissipation Rating Table |
| Operating free-air temperature range, $T_A$                  |                                       | ..... | -40°C to 85°C                |
| Operating junction temperature range, $T_J$                  |                                       | ..... | -40°C to 150°C               |
| Storage temperature range, $T_{stg}$                         |                                       | ..... | -65°C to 150°C               |
| Lead temperature 1,6 mm (1/16 inch) from case for 10 seconds |                                       | ..... | 260°C                        |

† Stresses beyond those listed under “absolute maximum ratings” may cause permanent damage to the device. These are stress ratings only, and functional operation of the device at these or any other conditions beyond those indicated under “recommended operating conditions” is not implied. Exposure to absolute-maximum-rated conditions for extended periods may affect device reliability.

**DISSIPATION RATING TABLE**

| PACKAGE | $T_A \leq 25^\circ\text{C}$ | DERATING FACTOR | $T_A = 70^\circ\text{C}$ | $T_A = 85^\circ\text{C}$ |
|---------|-----------------------------|-----------------|--------------------------|--------------------------|
| PFB     | 2.8 W                       | 22.2 mW/°C      | 1.8 W                    | 1.4 W                    |

**recommended operating conditions**

|                                       |  | MIN | MAX | UNIT          |
|---------------------------------------|--|-----|-----|---------------|
| Supply voltage, $V_{CC}$              | $PV_{CC}, AV_{CC}$   | 8.5 | 14  | V             |
| Volume reference voltage              | VREF   | 3.0 | 5.5 | V             |
| Volume control pins, input voltage    | VOLUME   |     | 5.5 | V             |
| High-level input voltage, $V_{IH}$    | $\overline{SD}$  | 2   |     | V             |
|                                       | MUTE   | 3.5 |     |               |
|                                       | $\overline{FADE}$  | 4   |     |               |
| Low-level input voltage, $V_{IL}$     | $\overline{SD}$  |     | 0.8 | V             |
|                                       | MUTE   |     | 2   |               |
|                                       | $\overline{FADE}$  |     | 2   |               |
| High-level input current, $I_{IH}$    | MUTE, $V_I = 5$ V, $V_{CC} = 14$ V                                       |     | 1   | $\mu\text{A}$ |
|                                       | $\overline{SD}$ , $V_I = 14$ V, $V_{CC} = 14$ V                          |     | 50  |               |
|                                       | $\overline{FADE}$ , $V_I = 5$ V, $V_{CC} = 14$ V                         |     | 150 |               |
| Low-level input current, $I_{IL}$     | MUTE, $\overline{SD}$ , $\overline{FADE}$ , $V_I = 0$ V, $V_{CC} = 14$ V |     | 1   | $\mu\text{A}$ |
| Oscillator frequency, $f_{OSC}$       |  | 225 | 275 | kHz           |
| Operating free-air temperature, $T_A$ |  | -40 | 85  | °C            |

# TPA3003D2

SLOS406A – FEBRUARY 2003 – REVISED MARCH 2003

## dc characteristics, $T_A = 25^\circ\text{C}$ , $V_{CC} = 12\text{ V}$ , $R_L = 8\ \Omega$ (unless otherwise noted)

| PARAMETER                  |   | TEST CONDITIONS  | MIN                       | TYP                      | MAX                       | UNIT          |
|----------------------------|---|--|---------------------------|--------------------------|---------------------------|---------------|
| $ V_{OS} $                 | Output offset voltage (measured differentially) | INN and INP connected together, Gain = 36 dB                                 |                           | 10                       | 65                        | mV            |
| V2P5 (terminal 4)          | 2.5-V Bias voltage                              | No load  | 0.45x<br>AV <sub>DD</sub> | 0.5x<br>AV <sub>DD</sub> | 0.55x<br>AV <sub>DD</sub> | V             |
| PSRR                       | Power supply rejection ratio                    | $V_{CC} = 11.5\text{ V to }12.5\text{ V}$                                    |                           | -80                      |                           | dB            |
| $I_{CC}$                   | Supply quiescent current                        | MUTE = 2 V, $\overline{SD} = 2\text{ V}$                                     |                           | 16                       | 28.5                      | mA            |
| $I_{CC}(\text{MUTE})$      | MUTE mode quiescent current                     | MUTE = 3.5 V, $\overline{SD} = 2\text{ V}$                                   |                           | 7                        | 9                         | mA            |
| $I_{CC}(\text{max power})$ | Supply current at max power                     | $R_L = 8\ \Omega$ , $P_O = 3\text{ W}$                                       |                           | 0.6                      |                           | A             |
| $I_{CC}(\text{SD})$        | Supply current in shutdown mode                 | $\overline{SD} = 0.8\text{ V}$   |                           | 1                        | 10                        | $\mu\text{A}$ |
| $r_{ds(on)}$               | Drain-source on-state resistance                | $V_{CC} = 12\text{ V}$ ,<br>$I_O = 1\text{ A}$ ,<br>$T_J = 25^\circ\text{C}$ | High side                 | 600                      | 700                       | m $\Omega$    |
|                            |   |  | Low side                  | 600                      | 700                       |               |
|                            |   |  | Total                     | 1200                     | 1400                      |               |

## ac characteristics, $T_A = 25^\circ\text{C}$ , $V_{CC} = 12\text{ V}$ , $R_L = 8\ \Omega$ (unless otherwise noted)

| PARAMETER           |                                 | TEST CONDITIONS   | MIN | TYP  | MAX | UNITS            |
|---------------------|---------------------------------|---|-----|------|-----|------------------|
| k <sub>SVR</sub>    | Supply ripple rejection ratio   | $V_{CC} = 11.5\text{ V to }12.5\text{ V}$ from 10 Hz to 1 kHz, Gain = 36 dB |     | -67  |     | dB               |
| $P_{O(\text{max})}$ | Maximum continuous output power | THD+N = 1%, $f = 1\text{ kHz}$ , $R_L = 8\ \Omega$                          |     | 3    |     | W                |
|                     |                                 | THD+N = 10%, $f = 1\text{ kHz}$ , $R_L = 8\ \Omega$                         |     | 3.75 |     | W                |
| $V_n$               | Output integrated noise floor   | 20 Hz to 22 kHz, No weighting filter, Gain = 0.5 dB                         |     | -82  |     | dBV              |
|                     | Crosstalk, Left → Right         | Gain = 13.2 dB, $P_O = 1\text{ W}$ , $R_L = 8\ \Omega$                      |     | -77  |     | dB               |
| SNR                 | Signal-to-noise ratio           | Maximum output at THD+N < 0.5%, $f = 1\text{ kHz}$ , Gain = 0.5 dB          |     | 102  |     | dB               |
|                     | Thermal trip point              |   |     | 150  |     | $^\circ\text{C}$ |
|                     | Thermal hysteresis              |   |     | 20   |     | $^\circ\text{C}$ |

Table 1. DC Volume Control

| VOLTAGE ON THE VOLUME PIN AS A PERCENTAGE OF VREF (INCREASING VOLUME OR FIXED GAIN) | VOLTAGE ON THE VOLUME PIN AS A PERCENTAGE OF VREF (DECREASING VOLUME) | GAIN OF AMPLIFIER |
|---|---|-------------------|
| %   | %   | dB                |
| 0 – 4.5   | 0 – 2.9   | -75†              |
| 4.5 – 6.7   | 2.9 – 5.1   | -40.0             |
| 6.7 – 8.91  | 5.1 – 7.2   | -37.5             |
| 8.9 – 11.1  | 7.2 – 9.4   | -35.0             |
| 11.1 – 13.3   | 9.4 – 11.6  | -32.4             |
| 13.3 – 15.5   | 11.6 – 13.8   | -29.9             |
| 15.5 – 17.7   | 13.8 – 16.0   | -27.4             |
| 17.7 – 19.9   | 16.0 – 18.2   | -24.8             |
| 19.9 – 22.1   | 18.2 – 20.4   | -22.3             |
| 22.1 – 24.3   | 20.4 – 22.6   | -19.8             |
| 24.3 – 26.5   | 22.6 – 24.8   | -17.2             |
| 26.5 – 28.7   | 24.8 – 27.0   | -14.7             |
| 28.7 – 30.9   | 27.0 – 29.1   | -12.2             |
| 30.9 – 33.1   | 29.1 – 31.3   | -9.6              |
| 33.1 – 35.3   | 31.3 – 33.5   | -7.1              |
| 35.3 – 37.5   | 33.5 – 35.7   | -4.6              |
| 37.5 – 39.7   | 35.7 – 37.9   | -2.0              |
| 39.7 – 41.9   | 37.9 – 40.1   | 0.5†              |
| 41.9 – 44.1   | 40.1 – 42.3   | 3.1               |
| 44.1 – 46.4   | 42.3 – 44.5   | 5.6               |
| 46.4 – 48.6   | 44.5 – 46.7   | 8.1               |
| 48.6 – 50.8   | 46.7 – 48.9   | 10.7              |
| 50.8 – 53.0   | 48.9 – 51.0   | 13.2              |
| 53.0 – 55.2   | 51.0 – 53.2   | 15.7              |
| 55.2 – 57.4   | 53.2 – 55.4   | 18.3              |
| 57.4 – 59.6   | 55.4 – 57.6   | 20.8              |
| 59.6 – 61.8   | 57.6 – 59.8   | 23.3              |
| 61.8 – 64.0   | 59.8 – 62.0   | 25.9              |
| 64.0 – 66.2   | 62.0 – 64.2   | 28.4              |
| 66.2 – 68.4   | 64.2 – 66.4   | 30.9              |
| 68.4 – 70.6   | 66.4 – 68.6   | 33.5              |
| > 70.6  | >68.6   | 36.0†             |

† Tested in production. Remaining steps are specified by design.

**TYPICAL CHARACTERISTICS**

**Table of Graphs**

|                    |                                   | <b>FIGURE</b>                |        |
|--------------------|-----------------------------------|------------------------------|--------|
|                    | Efficiency                        | vs Output power              | 1      |
| P <sub>O</sub>     | Output power                      | vs Load resistance           | 2      |
|                    |                                   | vs Supply voltage            | 3      |
| I <sub>Q</sub>     | Quiescent supply current          | vs Supply voltage            | 4      |
| I <sub>CC</sub>    | Supply current                    | vs Output Power              | 5      |
| I <sub>Q(sd)</sub> | Quiescent shutdown supply current | vs Supply voltage            | 6      |
|                    | Input impedance                   | vs Gain                      | 7      |
| THD+N              | Total harmonic distortion + noise | vs Frequency                 | 8, 9   |
|                    |                                   | vs Output power              | 10, 11 |
| k <sub>SVR</sub>   | Supply ripple rejection ratio     | vs Frequency                 | 12     |
|                    | Closed loop response              |                              | 13, 14 |
|                    | Intermodulation performance       |                              | 15     |
|                    | Input offset voltage              | vs Common-mode input voltage | 16     |
|                    | Crosstalk                         | vs Frequency                 | 17     |
|                    | Mute attenuation                  | vs Frequency                 | 18     |
|                    | Shutdown attenuation              |                              | 19     |
|                    | Common-mode rejection ratio       | vs Frequency                 | 20     |

TYPICAL CHARACTERISTICS

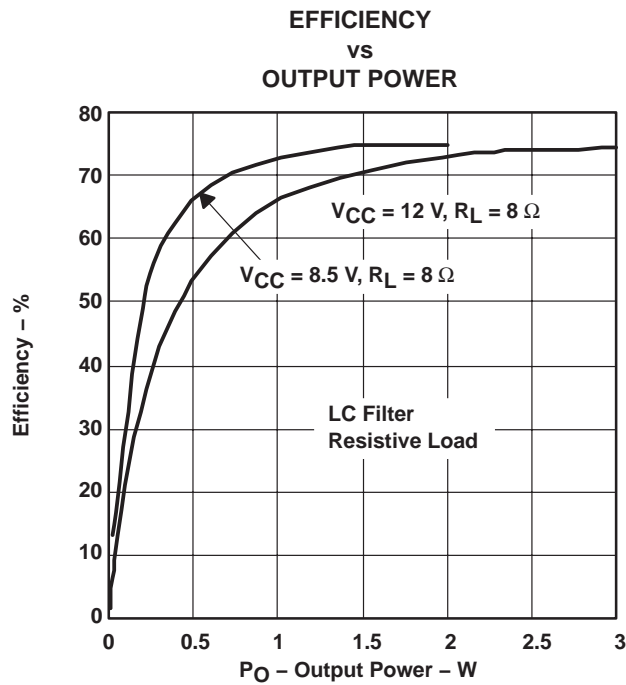


Figure 1

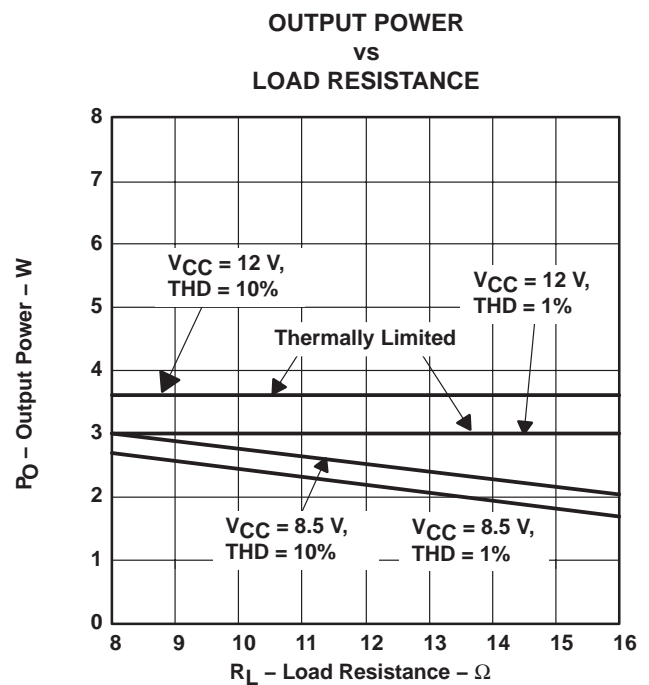


Figure 2

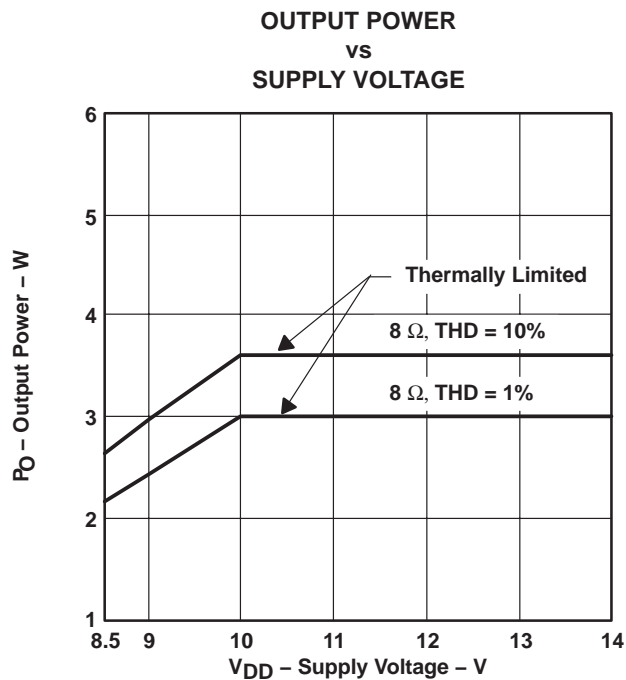


Figure 3

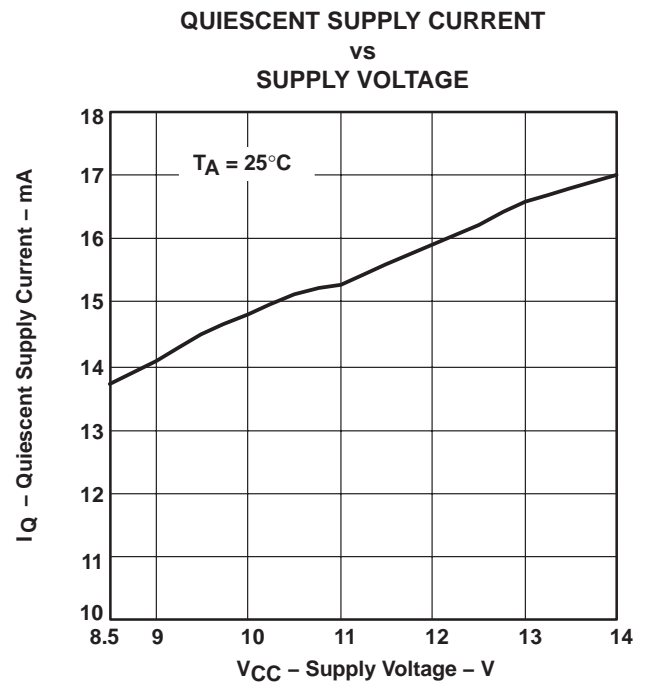
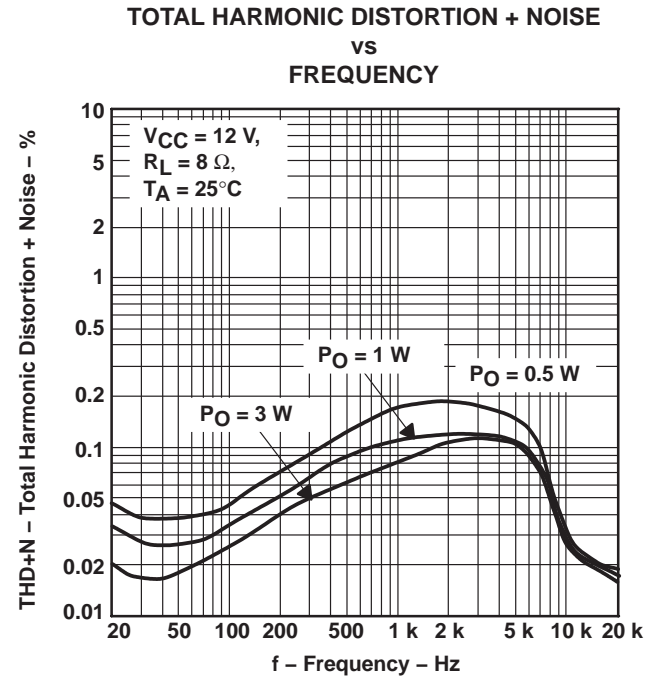
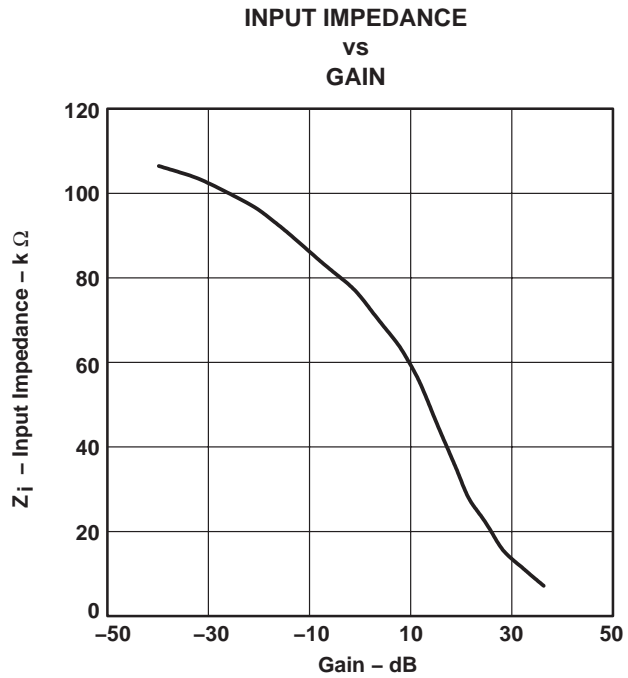
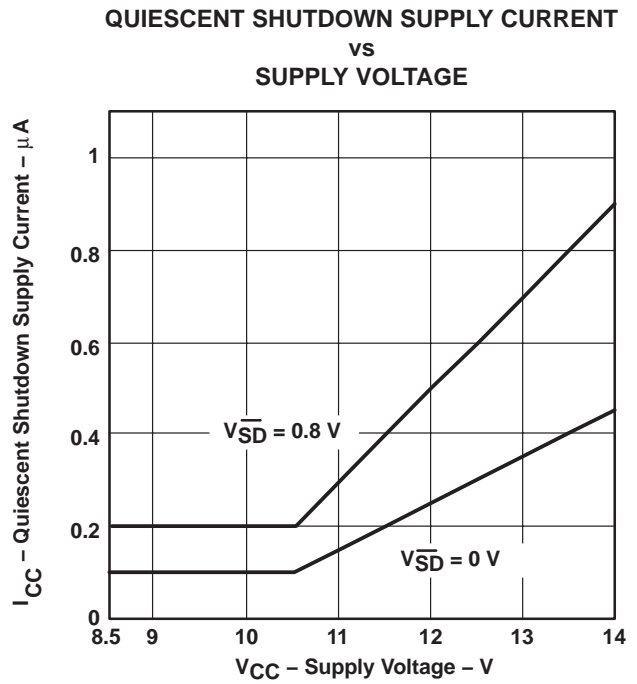
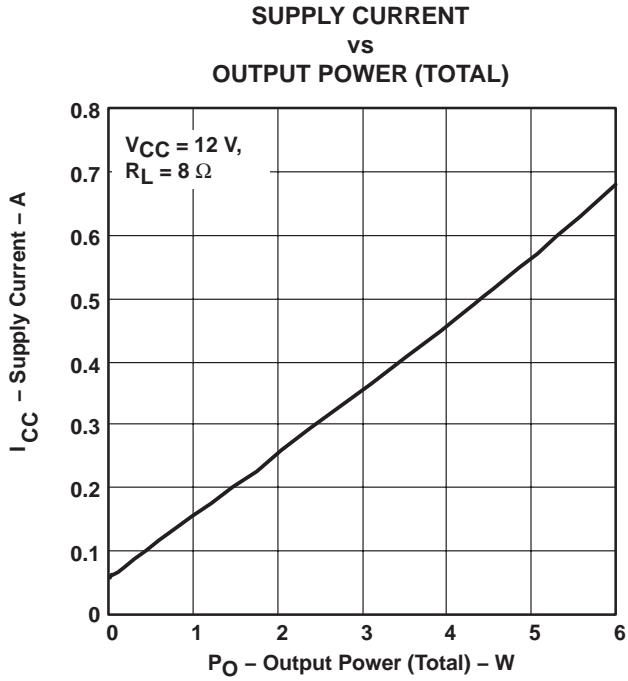


Figure 4

TYPICAL CHARACTERISTICS



TYPICAL CHARACTERISTICS

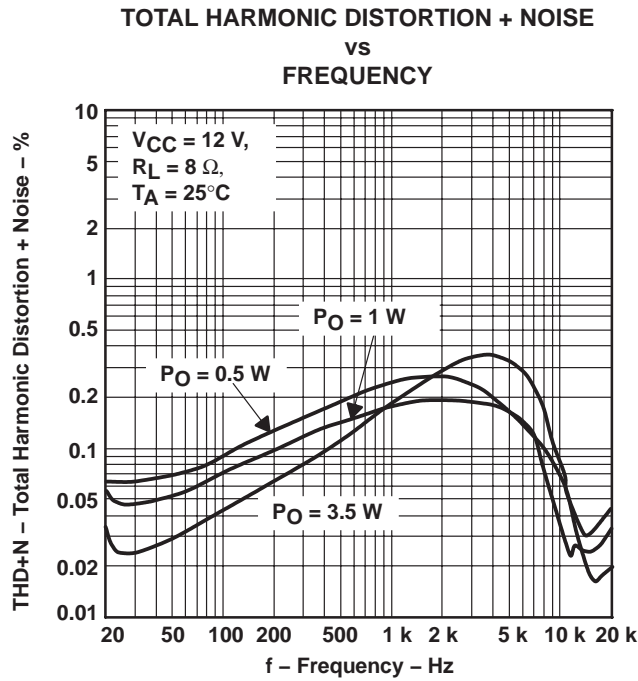


Figure 9

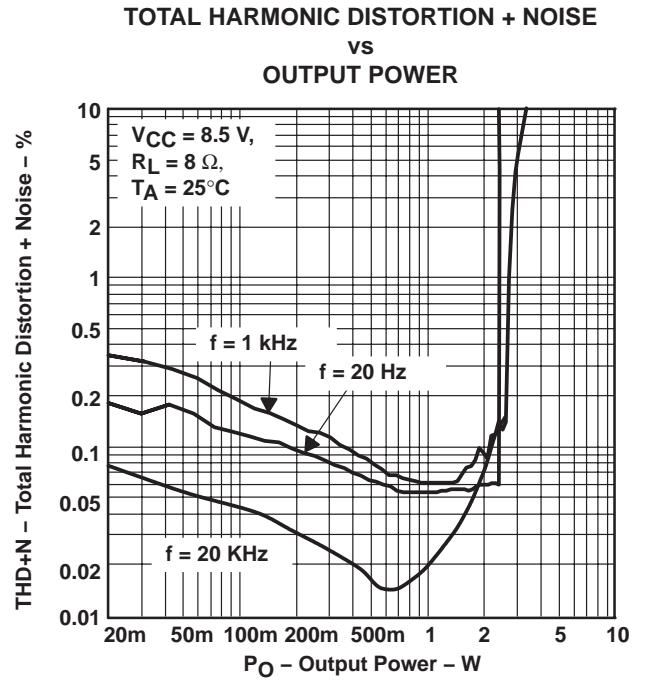


Figure 10

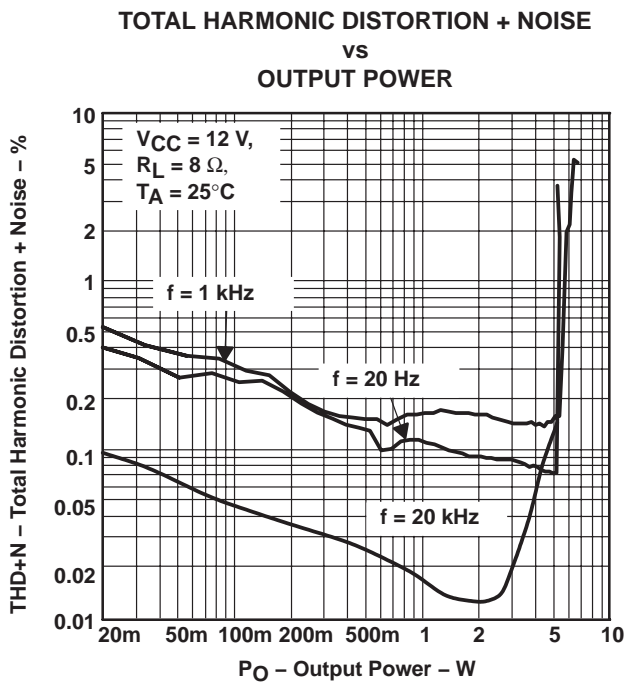


Figure 11

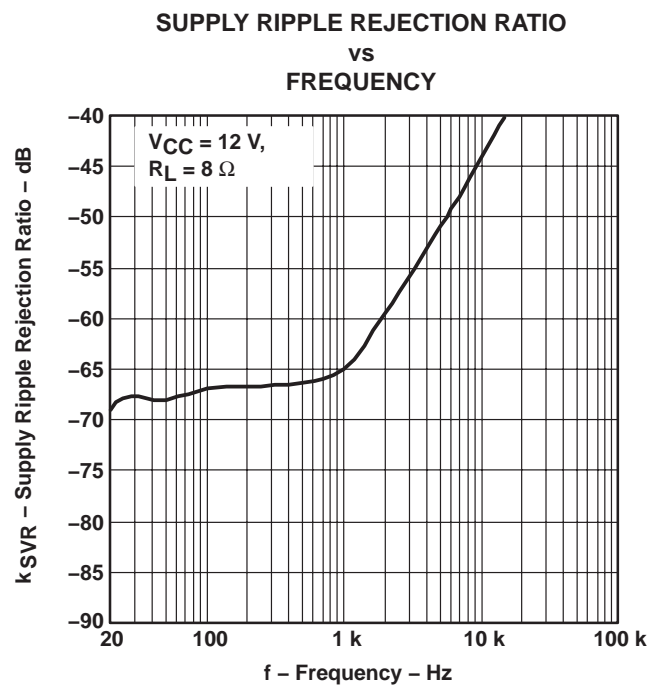


Figure 12

TYPICAL CHARACTERISTICS

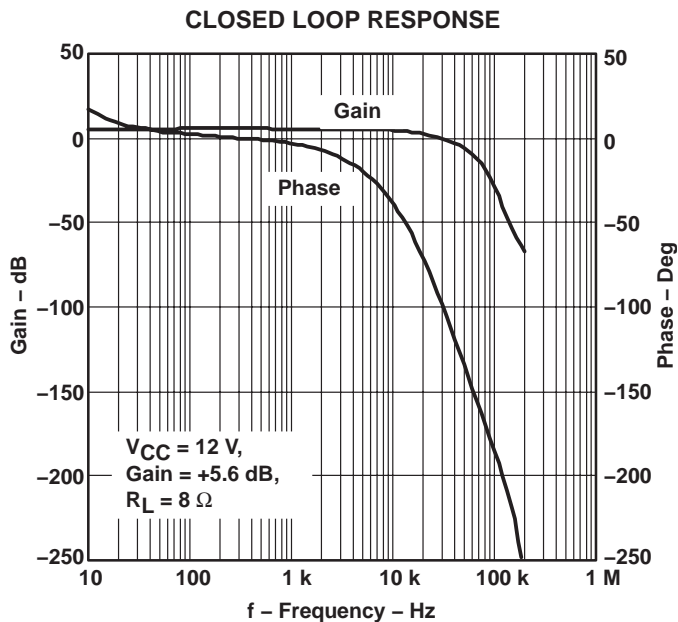


Figure 13

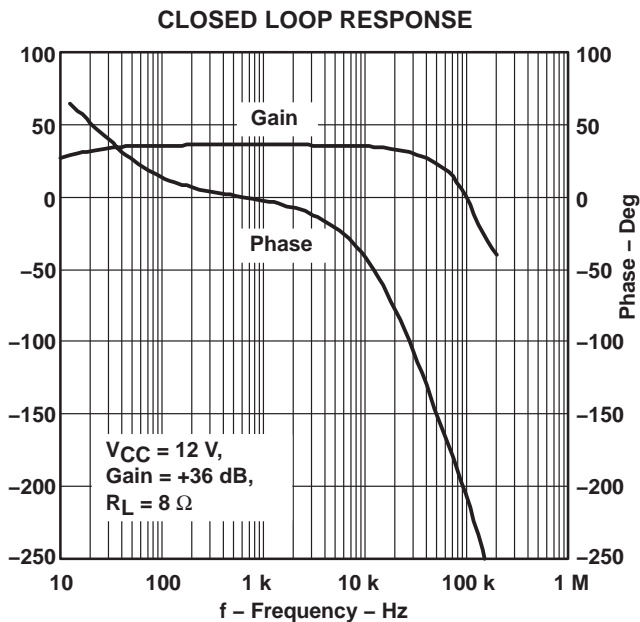


Figure 14

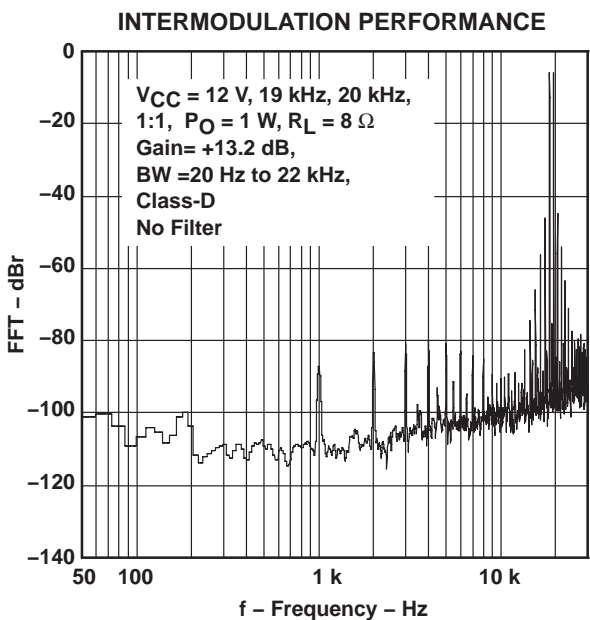


Figure 15

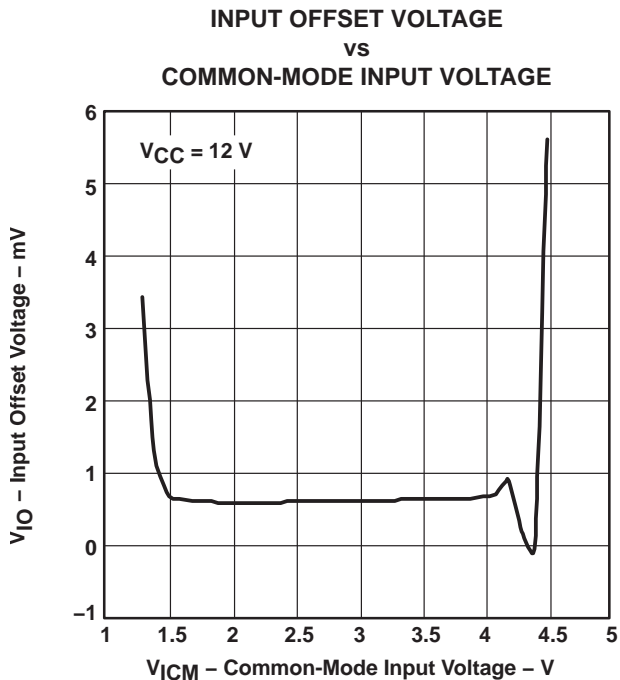


Figure 16

TYPICAL CHARACTERISTICS

CROSSTALK  
vs  
FREQUENCY

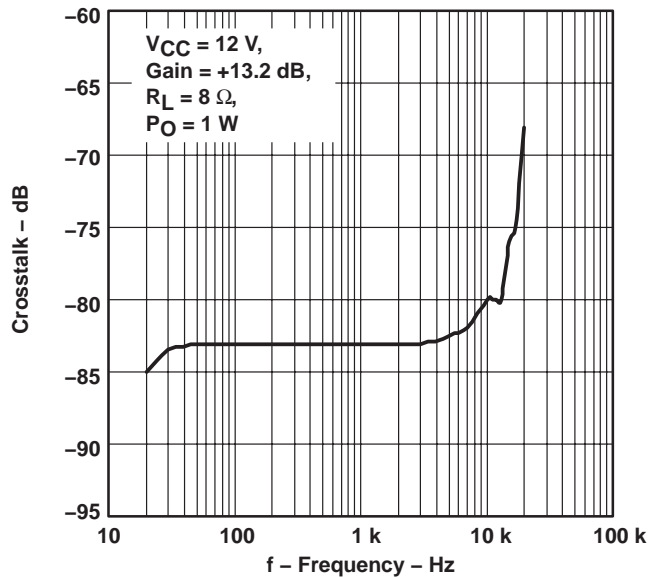


Figure 17

MUTE ATTENUATION  
vs  
FREQUENCY

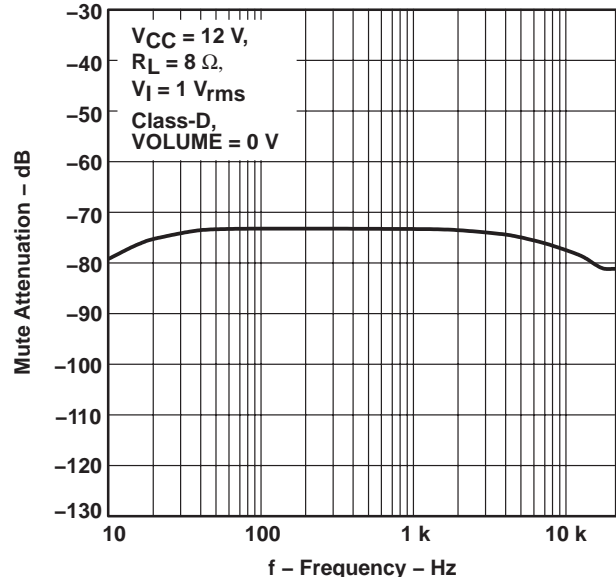


Figure 18

SHUTDOWN ATTENUATION  
vs  
FREQUENCY

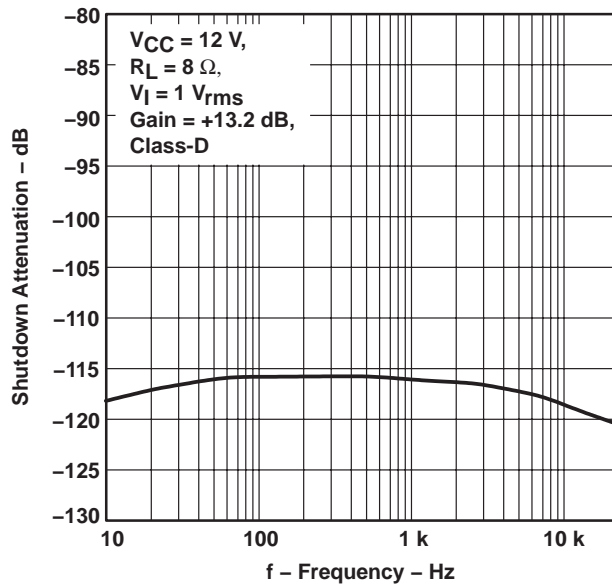


Figure 19

COMMON-MODE REJECTION RATIO  
vs  
FREQUENCY

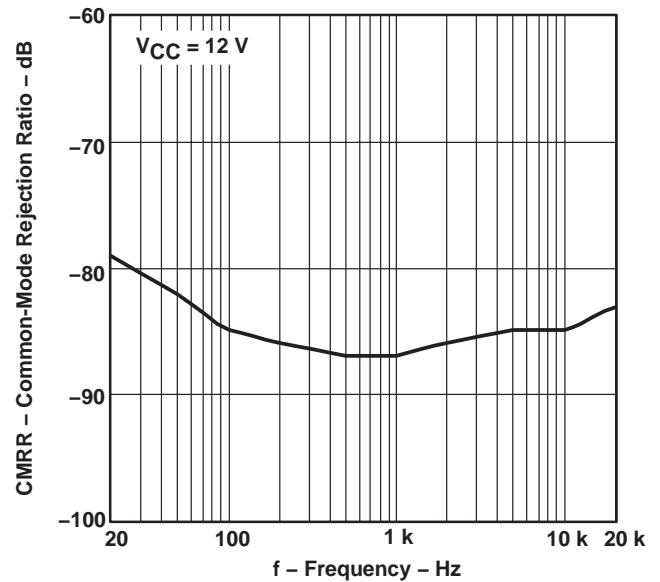


Figure 20

APPLICATION INFORMATION

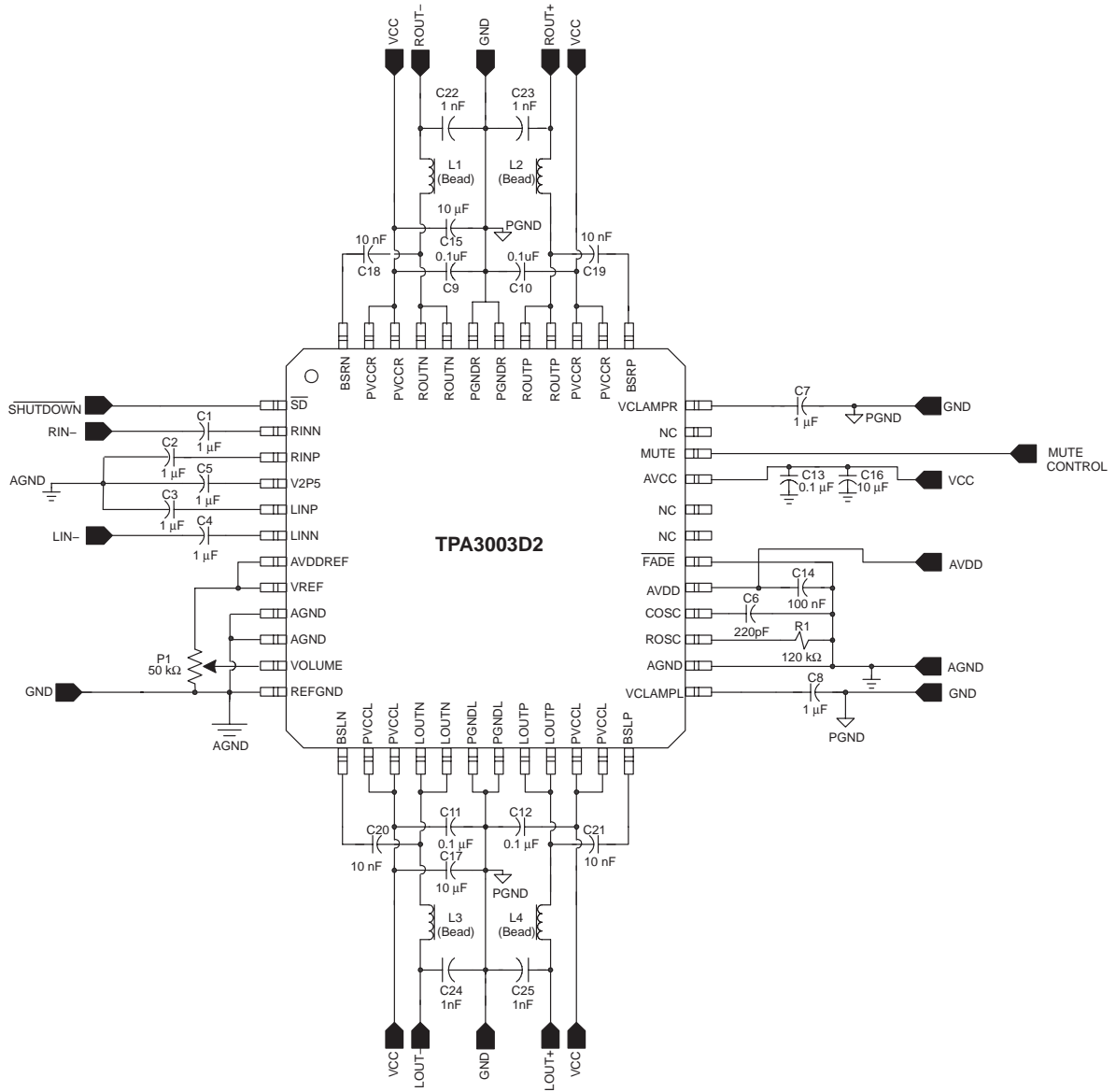


Figure 21. Stereo Configuration With Single-Ended Inputs

## APPLICATION INFORMATION

### class-D operation

This section focuses on the class-D operation of the TPA3003D2.

#### traditional class-D modulation scheme

The traditional class-D modulation scheme, which is used in the TPA032D0x family, has a differential output where each output is 180 degrees out of phase and changes from ground to the supply voltage,  $V_{CC}$ . Therefore, the differential prefiltered output varies between positive and negative  $V_{CC}$ , where filtered 50% duty cycle yields 0 V across the load. The traditional class-D modulation scheme with voltage and current waveforms is shown in Figure 22. Note that even at an average of 0 V across the load (50% duty cycle), the current to the load is high, causing high loss, thus causing a high supply current.

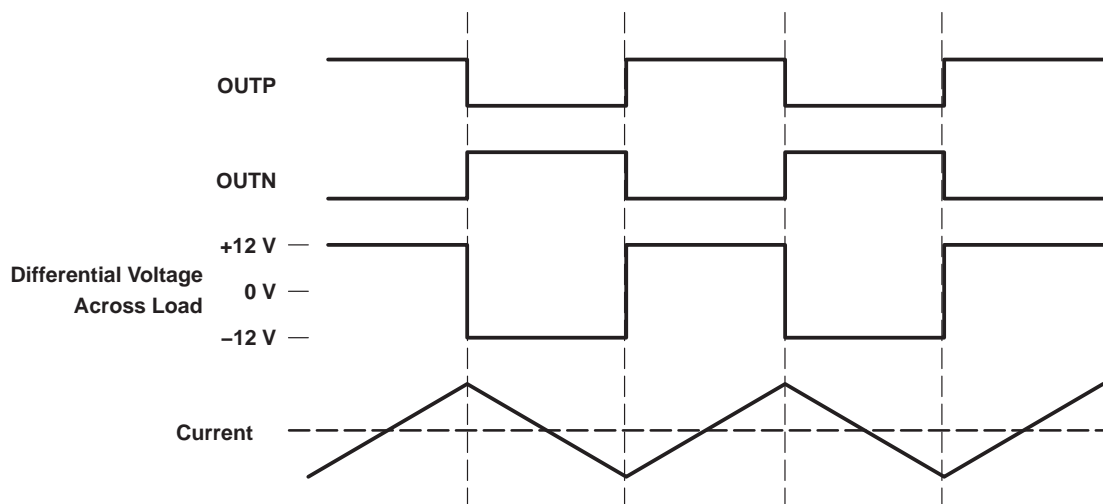


Figure 22. Traditional Class-D Modulation Scheme's Output Voltage and Current Waveforms Into an Inductive Load With No Input

#### TPA3003D2 modulation scheme

The TPA3003D2 uses a modulation scheme that still has each output switching from 0 to the supply voltage. However, OUTP and OUTN are now in phase with each other with no input. The duty cycle of OUTP is greater than 50% and OUTN is less than 50% for positive output voltages. The duty cycle of OUTP is less than 50% and OUTN is greater than 50% for negative output voltages. The voltage across the load sits at 0 V throughout most of the switching period, greatly reducing the switching current, which reduces any  $I^2R$  losses in the load.

APPLICATION INFORMATION

TPA3003D2 modulation scheme (continued)

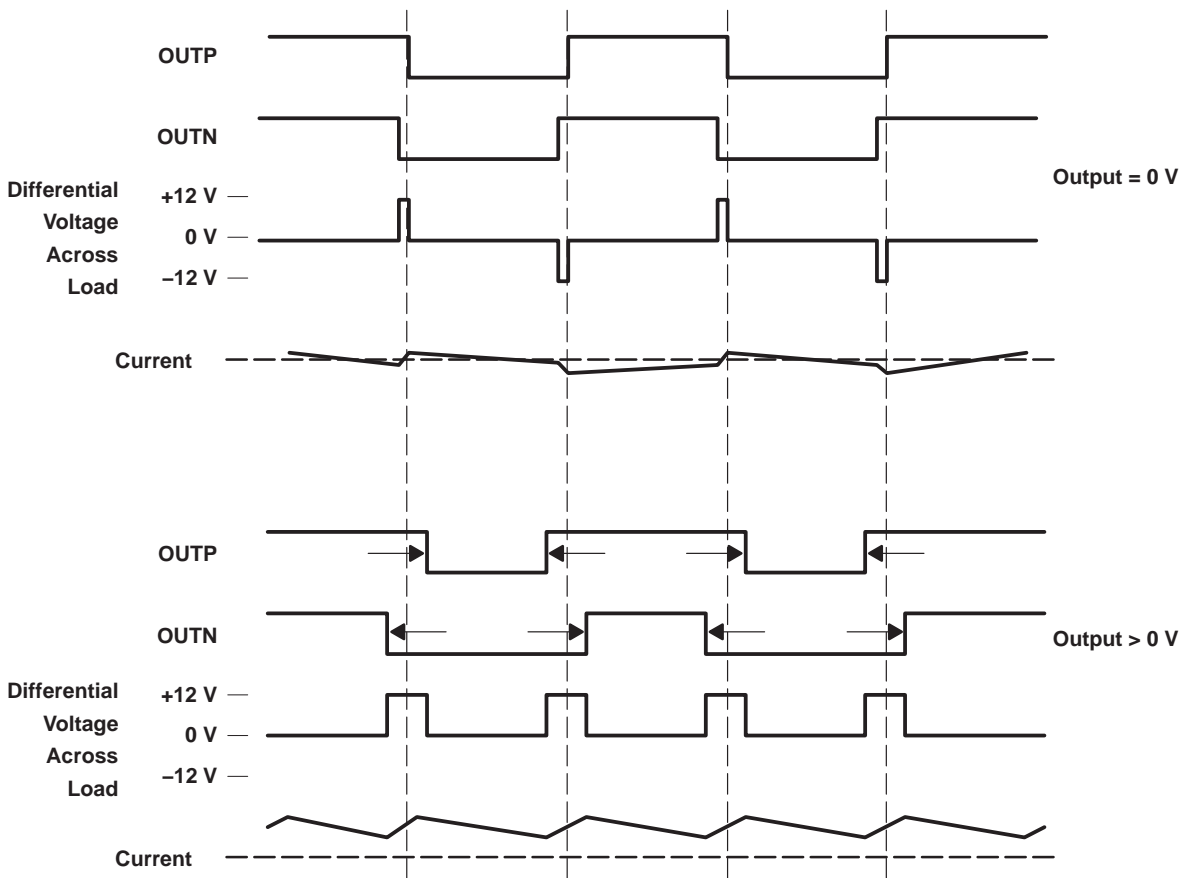


Figure 23. The TPA3003D2 Output Voltage and Current Waveforms Into an Inductive Load

efficiency: LC filter required with the traditional class-D modulation scheme

The main reason that the traditional class-D amplifier needs an output filter is that the switching waveform results in maximum current flow. This causes more loss in the load, which causes lower efficiency. The ripple current is large for the traditional modulation scheme, because the ripple current is proportional to voltage multiplied by the time at that voltage. The differential voltage swing is  $2 \times V_{CC}$ , and the time at each voltage is half the period for the traditional modulation scheme. An ideal LC filter is needed to store the ripple current from each half cycle for the next half cycle, while any resistance causes power dissipation. The speaker is both resistive and reactive, whereas an LC filter is almost purely reactive.

The TPA3003D2 modulation scheme has very little loss in the load without a filter because the pulses are very short and the change in voltage is  $V_{CC}$  instead of  $2 \times V_{CC}$ . As the output power increases, the pulses widen, making the ripple current larger. Ripple current could be filtered with an LC filter for increased efficiency, but for most applications the filter is not needed.

An LC filter with a cutoff frequency less than the class-D switching frequency allows the switching current to flow through the filter instead of the load. The filter has less resistance than the speaker, which results in less power dissipation, therefore increasing efficiency.

## APPLICATION INFORMATION

### effects of applying a square wave into a speaker

Audio specialists have advised for years not to apply a square wave to speakers. If the amplitude of the waveform is high enough and the frequency of the square wave is within the bandwidth of the speaker, the square wave could cause the voice coil to jump out of the air gap and/or scar the voice coil. A 250-kHz switching frequency, however, does not significantly move the voice coil, as the cone movement is proportional to  $1/f^2$  for frequencies beyond the audio band.

Damage may occur if the voice coil cannot handle the additional heat generated from the high-frequency switching current. The amount of power dissipated in the speaker may be estimated by first considering the overall efficiency of the system. If the on-resistance ( $r_{ds(on)}$ ) of the output transistors is considered to cause the dominant loss in the system, then the maximum theoretical efficiency for the TPA3003D2 with an 8- $\Omega$  load is as follows:

$$\text{Efficiency (theoretical, \%)} = R_L / (R_L + r_{ds(on)}) \times 100\% = 8 / (8 + 1.4) \times 100\% = 85.11\% \quad (1)$$

The maximum measured output power is approximately 3 W with an 12-V power supply. The total theoretical power supplied ( $P_{(total)}$ ) for this worst-case condition would therefore be as follows:

$$P_{(total)} = P_O / \text{Efficiency} = 3 \text{ W} / 0.8511 = 3.52 \text{ W} \quad (2)$$

The efficiency measured in the lab using an 8- $\Omega$  speaker was 75%. The power not accounted for as dissipated across the  $r_{ds(on)}$  may be calculated by simply subtracting the theoretical power from the measured power:

$$\text{Other losses} = P_{(total)}^{(measured)} - P_{(total)}^{(theoretical)} = 4 - 3.52 = 0.48 \text{ W} \quad (3)$$

The quiescent supply current at 12 V is measured to be 28.5 mA. It can be assumed that the quiescent current encapsulates all remaining losses in the device, i.e., biasing and switching losses. It may be assumed that any remaining power is dissipated in the speaker and is calculated as follows:

$$P_{(dis)} = 0.48 \text{ W} - (12 \text{ V} \times 28.5 \text{ mA}) = 0.14 \text{ W} \quad (4)$$

Note that these calculations are for the worst-case condition of 3 W delivered to the speaker. Since the 0.14 W is only 5% of the power delivered to the speaker, it may be concluded that the amount of power actually dissipated in the speaker is relatively insignificant. Furthermore, this power dissipated is well within the specifications of most loudspeaker drivers in a system, as the power rating is typically selected to handle the power generated from a clipping waveform.

### when to use an output filter

Design the TPA3003D2 without the filter if the traces from amplifier to speaker are short (< 1 inch). Powered speakers, where the speaker is in the same enclosure as the amplifier, is a typical application for class-D without a filter.

Most applications require a ferrite bead filter. The ferrite filter reduces EMI around 1 MHz and higher (FCC and CE only test radiated emissions greater than 30 MHz). When selecting a ferrite bead, choose one with high impedance at high frequencies, but very low impedance at low frequencies.

Use a LC output filter if there are low frequency (<1 MHz) EMI sensitive circuits and/or there are long wires from the amplifier to the speaker.

APPLICATION INFORMATION

when to use an output filter (continued)

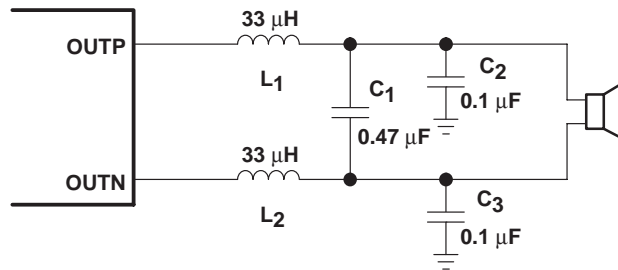


Figure 24. Typical LC Output Filter, Cutoff Frequency of 41 kHz, Speaker Impedance = 8 Ω

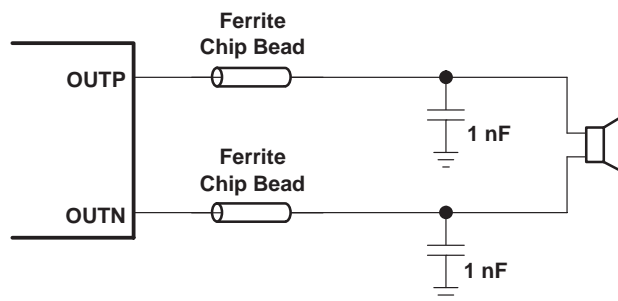


Figure 25. Typical Ferrite Chip Bead Filter (Chip bead example: Fair-Rite 2512067007Y3)

volume control operation

The VOLUME terminal controls the internal amplifier gain. This pin is controlled with a dc voltage, which should not exceed VREF. Table 1 lists the gain as determined by the voltage on the VOLUME pin in reference to the voltage on VREF.

If using a resistor divider to fix the gain of the amplifier, the VREF terminal can be directly connected to AVDDREF and a resistor divider can be connected across VREF and REFGND. (See Figure 21 in the Application Information Section). For fixed gain, calculate the resistor divider values necessary to center the voltage between the two percentage points given in the first column of Table 1. For example, if a gain of 10.7 dB is desired, the resistors in the divider network can both be 10 kΩ. With these resistor values, a voltage of 50%\*VREF will be present at the VOLUME pin and result in a class-D gain of 10.7 dB.

If using a DAC to control the class-D gain, VREF and REFGND should be connected to the reference voltage for the DAC and the GND terminal of the DAC, respectively. For the DAC application, AVDDREF would be left unconnected. The reference voltage of the DAC provides the reference to the internal gain circuitry through the VREF input and any fluctuations in the DAC output voltage will not affect the TPA3003D2 gain. The percentages in the first column of Table 1 should be used for setting the voltages of the DAC when the voltage on the VOLUME terminal is increased. The percentages in the second column should be used for the DAC voltages when decreasing the voltage on the VOLUME terminal. Two lookup tables should be used in software to control the gain based on an increase or decrease in the desired system volume. This is explained further in a section below.

APPLICATION INFORMATION

volume control operation (continued)

If using an analog potentiometer to control the gain, it should be connected between VREF and REFGND. VREF can be connected to AVDDREF or an external voltage source, if desired. The first and second column in Table 1 should be used to determine the point at which the gain changes depending on the direction that the potentiometer is turned. If the voltage on the center tap of the potentiometer is increasing, the first column in Table 1 should be referenced to determine the trip points. If the voltage is decreasing, the trip points in the second column should be referenced.

The trip point, where the gain actually changes, is different depending on whether the voltage on the VOLUME terminal is increasing or decreasing as a result of hysteresis about each trip point. The hysteresis ensures that the gain control is monotonic and does not oscillate from one gain step to another. A pictorial representation of the volume control can be found in Figure 26. The graph focuses on three gain steps with the trip points defined in the first and second columns of Table 1. The dotted lines represent the hysteresis about each gain step.

The timing of the volume control circuitry is controlled by an internal 60-Hz clock. This clock determines the rate at which the gain changes when adjusting the voltage on the external volume control pins. The gain updates every 4 clock cycles (nominally 67 ms based on a 60 Hz clock) to the next step until the final desired gain is reached. For example, if the TPA3003D2 is currently in the +0.53 dB gain step and the VOLUME pin is adjusted for maximum gain at +36 dB, the time required for the gain to reach +36 dB is 14 steps x 67ms/step = 0.938 seconds. Referencing Table 1, there are 14 steps between the +0.53 dB gain step and the maximum gain step of +36 dB.

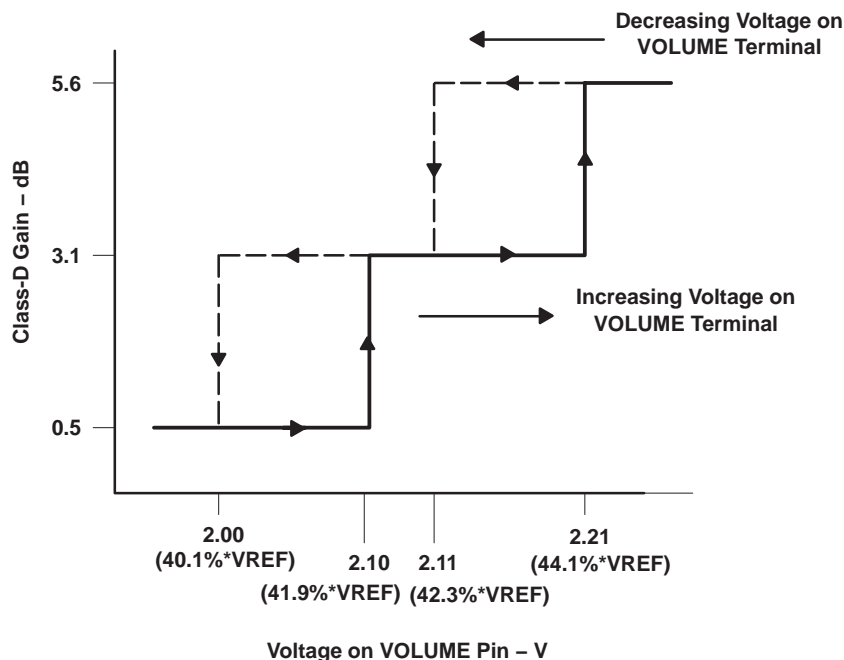


Figure 26. DC Volume Control Operation, VREF = 5 V

APPLICATION INFORMATION

**FADE operation**

The  $\overline{\text{FADE}}$  terminal is a logic input that controls the operation of the volume control circuitry during transitions to and from the shutdown state and during power-up.

A logic low on this terminal places the amplifier in the fade mode. During power-up or recovery from the shutdown state (a logic high is applied to the  $\overline{\text{SD}}$  terminal), the volume is smoothly ramped up from the mute state,  $-75$  dB, to the desired volume setting determined by the voltage on the volume control terminal. Conversely, the volume is smoothly ramped down from the current state to the mute state when a logic low is applied to the  $\overline{\text{SD}}$  terminal. The timing of the volume control circuitry is controlled by an internal 60-Hz clock. This clock determines the rate at which the gain changes when adjusting the voltage on the external volume control pins. The gain updates every 4 clock cycles (nominally 67 ms based on a 60 Hz clock) to the next step until the final desired gain is reached. For example, if the TPA3003D2 is currently in the  $+0.53$  dB class-D gain step and the VOLUME pin is adjusted for maximum gain at  $+36$  dB, the time required for the gain to reach 36 dB is  $14 \text{ steps} \times 67 \text{ ms/step} = 0.938$  seconds. Referencing Table 1, there are 14 steps between the  $+0.53$  dB gain step and the maximum gain step of  $+36$  dB.

Figure 27 shows a scope capture of the differential output (measured across  $\text{OUT+}$  and  $\text{OUT-}$ ) with the amplifier in the fade mode. A  $1 \text{ V}_{\text{pp}}$  dc voltage was applied across the differential inputs and a logic low was applied to the  $\overline{\text{SD}}$  terminal at the time defined in the figure. The figure depicts the outputs transitioning from one gain step to the next lower step at approximately 67 ms/step.

A logic high on this pin disables the volume fade effect during transitions to and from the shutdown state and during power-up. During power-up or recovery from the shutdown state (a logic high is applied to the  $\overline{\text{SD}}$  terminal), the transition from the mute state,  $-75$  dB, to the desired volume setting is less than 1 ms. Conversely, the volume ramps down from current state to the mute state within 1 ms when a logic low is applied to the  $\overline{\text{SD}}$  terminal.

Figure 28 shows a scope capture of the differential output with the fade effect disabled. The outputs transition to the lowest gain state within 1ms of applying a logic low to the  $\overline{\text{SD}}$  terminal.

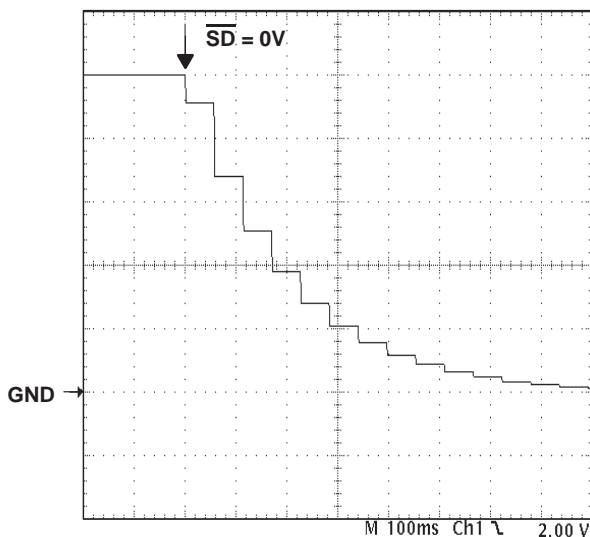


Figure 27. Differential Output With  $\overline{\text{FADE}}$  (Terminal 30) Held Low

## APPLICATION INFORMATION

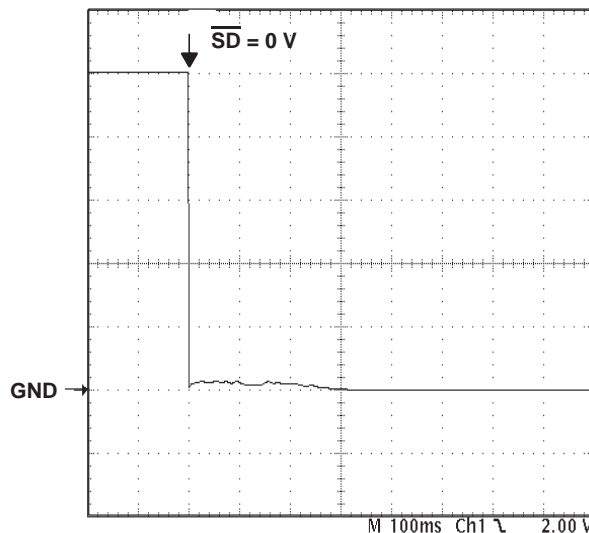


Figure 28. Differential Output With  $\overline{\text{FADE}}$  Terminal Held High

### MUTE operation

The MUTE pin is an input for controlling the output state of the TPA3003D2. A logic high on this pin disables the outputs. A logic low on this pin enables the outputs. This pin may be used as a quick disable or enable of the outputs without a volume fade. Quiescent current is listed in the dc characteristics specification table. The MUTE pin should never be left floating.

For power conservation, the  $\overline{\text{SD}}$  pin should be used to reduce the quiescent current to the absolute minimum level. The volume will fade, slowly increase or decrease, when leaving or entering the shutdown state if the  $\overline{\text{FADE}}$  terminal is held low. If the  $\overline{\text{FADE}}$  terminal is held high, the outputs will transition very quickly. Refer to the  $\overline{\text{FADE}}$  operation section.

### $\overline{\text{SD}}$ operation

The TPA3003D2 employs a shutdown mode of operation designed to reduce supply current ( $I_{\text{CC}}$ ) to the absolute minimum level during periods of nonuse for power conservation. The  $\overline{\text{SD}}$  input terminal should be held high (see specification table for trip point) during normal operation when the amplifier is in use. Pulling  $\overline{\text{SD}}$  low causes the outputs to mute and the amplifier to enter a low-current state.  $\overline{\text{SD}}$  should never be left unconnected, because amplifier operation would be unpredictable.

For the best power-off pop performance, the amplifier should be placed in the shutdown mode prior to removing the power supply voltage.

### selection of COSC and ROSC

The switching frequency is determined using the values of the components connected to ROSC (pin 20) and COSC (pin 21) and may be calculated with the following equation:

$$f_{\text{OSC}} = 6.6 / (R_{\text{OSC}} * C_{\text{OSC}})$$

The frequency may be varied from 225 kHz to 275 kHz by adjusting the values chosen for  $R_{\text{OSC}}$  and  $C_{\text{OSC}}$ . The recommended values are  $C_{\text{OSC}} = 220 \text{ pF}$ ,  $R_{\text{OSC}} = 120 \text{ k}\Omega$  for a switching frequency of 250 kHz.

APPLICATION INFORMATION

internal 2.5-V bias generator capacitor selection

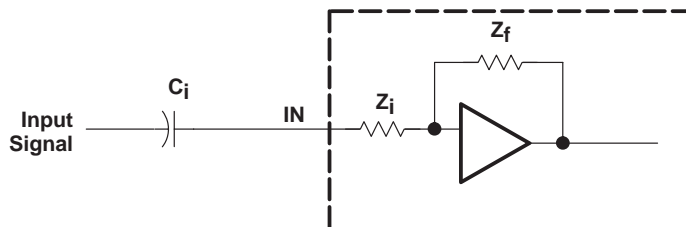
The internal 2.5-V bias generator (V2P5) provides the internal bias for the preamplifier stage. The external input capacitors and this internal reference allow the inputs to be biased within the optimal common-mode range of the input preamplifiers.

The selection of the capacitor value on the V2P5 terminal is critical for achieving the best device performance. During startup or recovery from the shutdown state, the V2P5 capacitor determines the rate at which the amplifier starts up. When the voltage on the V2P5 capacitor equals 0.75 x V2P5, or 75% of its final value, the device turns on and the class-D outputs start switching. The startup time is not critical for the best depop performance since any pop sound that is heard is the result of the class-D outputs switching on and not the startup time. However, at least a 0.47-μF capacitor is recommended for the V2P5 capacitor.

A secondary function of the V2P5 capacitor is to filter high frequency noise on the internal 2.5-V bias generator.

input resistance

Each gain setting is achieved by varying the input resistance of the amplifier, which can range from its smallest value to over six times that value. As a result, if a single capacitor is used in the input high-pass filter, the -3 dB or cutoff frequency also changes by over six times.



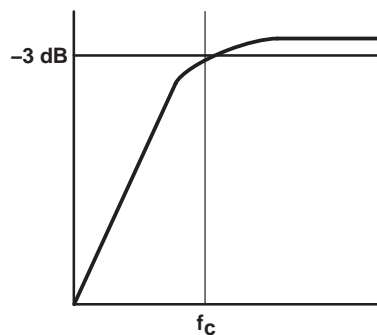
The -3-dB frequency can be calculated using equation 5.

$$f_{-3dB} = \frac{1}{2\pi Z_i C_i} \tag{5}$$

input capacitor, Ci

In the typical application an input capacitor (Ci) is required to allow the amplifier to bias the input signal to the proper dc level (V2P5) for optimum operation. In this case, Ci and the input impedance of the amplifier (Zi) form a high-pass filter with the corner frequency determined in equation 6.

$$f_c = \frac{1}{2\pi Z_i C_i} \tag{6}$$



## APPLICATION INFORMATION

The value of  $C_i$  is important, as it directly affects the bass (low frequency) performance of the circuit. Consider the example where  $Z_i$  is 20 k $\Omega$  and the specification calls for a flat bass response down to 20 Hz. Equation 6 is reconfigured as equation 7.

$$C_i = \frac{1}{2\pi Z_i f_c} \quad (7)$$

In this example,  $C_i$  is 0.4  $\mu$ F, so one would likely choose a value in the range of 0.47  $\mu$ F to 1  $\mu$ F. If the gain is known and will be constant, use  $Z_i$  to calculate  $C_i$ . Calculations for  $C_i$  should be based off the impedance at the lowest gain step intended for use in the system. A further consideration for this capacitor is the leakage path from the input source through the input network ( $C_i$ ) and the feedback network to the load. This leakage current creates a dc offset voltage at the input to the amplifier that reduces useful headroom, especially in high gain applications. For this reason a low-leakage tantalum or ceramic capacitor is the best choice. When polarized capacitors are used, the positive side of the capacitor should face the amplifier input in most applications as the dc level there is held at 2.5 V, which is likely higher than the source dc level. Note that it is important to confirm the capacitor polarity in the application.

### power supply decoupling, $C_S$

The TPA3003D2 is a high-performance CMOS audio amplifier that requires adequate power supply decoupling to ensure the output total harmonic distortion (THD) is as low as possible. Power supply decoupling also prevents oscillations for long lead lengths between the amplifier and the speaker. The optimum decoupling is achieved by using two capacitors of different types that target different types of noise on the power supply leads. For higher frequency transients, spikes, or digital hash on the line, a good low equivalent-series-resistance (ESR) ceramic capacitor, typically 0.1  $\mu$ F placed as close as possible to the device  $V_{CC}$  lead works best. For filtering lower-frequency noise signals, a larger aluminum electrolytic capacitor of 10  $\mu$ F or greater placed near the audio power amplifier is recommended. The 10- $\mu$ F capacitor also serves as a local storage capacitor for supplying current during large signal transients on the amplifier outputs.

### BSN and BSP capacitors

The full H-bridge output stages use only NMOS transistors. They therefore require bootstrap capacitors for the high side of each output to turn on correctly. A 10-nF ceramic capacitor, rated for at least 25 V, must be connected from each output to its corresponding bootstrap input. Specifically, one 10-nF capacitor must be connected from xOUTP to xBSP, and one 10-nF capacitor must be connected from xOUTN to xBSN. (See the application circuit diagram in Figure 21.)

### VCLAMP capacitors

To ensure that the maximum gate-to-source voltage for the NMOS output transistors is not exceeded, two internal regulators clamp the gate voltage. Two 1- $\mu$ F capacitors must be connected from VCLAMPL (pin 25) and VCLAMPR (pin 36) to ground and must be rated for at least 25 V. The voltages at the VCLAMP terminals vary with  $V_{CC}$  and may not be used for powering any other circuitry.

### internal regulated 5-V supply ( $AV_{DD}$ )

The  $AV_{DD}$  terminal (pin 29) is the output of an internally-generated 5-V supply, used for the oscillator, preamplifier, and volume control circuitry. It requires a 0.1- $\mu$ F to 1- $\mu$ F capacitor, placed very close to the pin, to ground to keep the regulator stable. The regulator may not be used to power any external circuitry.

**APPLICATION INFORMATION**

**differential input**

The differential input stage of the amplifier cancels any noise that appears on both input lines of the channel. To use the TPA3003D2 with a differential source, connect the positive lead of the audio source to the INP input and the negative lead from the audio source to the INN input. To use the TPA3003D2 with a single-ended source, ac ground the INP input through a capacitor equal in value to the input capacitor on INN and apply the audio source to the INN input. In a single-ended input application, the INP input should be ac-grounded at the audio source instead of at the device input for best noise performance.

**using low-ESR capacitors**

Low-ESR capacitors are recommended throughout this application section. A real (as opposed to ideal) capacitor can be modeled simply as a resistor in series with an ideal capacitor. The voltage drop across this resistor minimizes the beneficial effects of the capacitor in the circuit. The lower the equivalent value of this resistance the more the real capacitor behaves like an ideal capacitor.

**short-circuit protection**

The TPA3003D2 has short circuit protection circuitry on the outputs that prevents damage to the device during output-to-output shorts, output-to-GND shorts, and output-to- $V_{CC}$  shorts. When a short-circuit is detected on the outputs, the output drive is immediately disabled. This is a latched fault and must be reset by cycling the voltage on the  $\overline{SD}$  pin to a logic low and back to the logic high state for normal operation. This will clear the short-circuit flag and allow for normal operation if the short was removed. If the short was not removed, the protection circuitry will again activate.

**thermal protection**

Thermal protection on the TPA3003D2 prevents damage to the device when the internal die temperature exceeds 150°C. There is a  $\pm 15$  degree tolerance on this trip point from device to device. Once the die temperature exceeds the thermal set point, the device enters into the shutdown state and the outputs are disabled. This is not a latched fault. The thermal fault is cleared once the temperature of the die is reduced by 20°C. The device begins normal operation at this point with no external system interaction.

**thermal considerations: output power and maximum ambient temperature**

To calculate the maximum ambient temperature, the following equation may be used:

$$T_{Amax} = T_J - \Theta_{JA} P_{Dissipated}$$

where:  $T_J = 150^\circ\text{C}$

$$\Theta_{JA} = 45^\circ\text{C/W} \tag{8}$$

(The derating factor for the 48-pin PFB package is given in the dissipation rating table.)

To estimate the power dissipation, the following equation may be used:

$$P_{Dissipated} = P_{O(average)} \times ((1 / \text{Efficiency}) - 1)$$

$$\text{Efficiency} = \sim 75\% \text{ for an } 8\text{-}\Omega \text{ load} \tag{9}$$

## APPLICATION INFORMATION

### thermal considerations: output power and maximum ambient temperature (continued)

Example. What is the maximum ambient temperature for an application that requires the TPA3003D2 to drive 3 W into an 8-Ω speaker (stereo)?

$$P_{\text{Dissipated}} = 6 \text{ W} \times ((1 / 0.75) - 1) = 2 \text{ W} \quad (P_{\text{O}} = 3 \text{ W} * 2)$$

$$T_{\text{Amax}} = 150^{\circ}\text{C} - (45^{\circ}\text{C}/\text{W} \times 2 \text{ W}) = 60^{\circ}\text{C}$$

This calculation shows that the TPA3003D2 can drive 3 W of continuous RMS power per channel into an 8-Ω speaker up to an ambient temperature of 60°C.

### printed circuit board (PCB) layout

Because the TPA3003D2 is a class-D amplifier that switches at a high frequency, the layout of the printed circuit board (PCB) should be optimized according to the following guidelines for the best possible performance.

- Decoupling capacitors — As described on page 23, the high-frequency 0.1-μF decoupling capacitors should be placed as close to the PVCC (pin 14, 15, 22, 23, 38, 39, 46, 47) and AV<sub>CC</sub> (pin 33) terminals as possible. The V2P5 (pin 4) capacitor, AV<sub>DD</sub> (pin 29) capacitor, and VCLAMP (pins 25, 36) capacitor should also be placed as close to the device as possible. Large (10 μF or greater) bulk power supply decoupling capacitors should be placed near the TPA3003D2 on the PVCCL, PVCCR, and AV<sub>CC</sub> terminals.
- Grounding — The AV<sub>CC</sub> (pin 33) decoupling capacitor, AV<sub>DD</sub> (pin 29) capacitor, V2P5 (pin 4) capacitor, COSC (pin 28) capacitor, and ROSC (pin 27) resistor should each be grounded to analog ground (AGND, pin 26). The PVCC (pin 9 and pin 16) decoupling capacitors should each be grounded to power ground (PGND, pins 18, 19, 42, 43). Basically, an AGND island should be created with a single connection to PGND.
- Output filter — The ferrite EMI filter (Figure 25, page 18) should be placed as close to the output terminals as possible for the best EMI performance. The LC filter (Figure 24, page 18) should be placed close to the outputs. The capacitors used in both the ferrite and LC filters should be grounded to PGND.

For an example layout, please refer to the TPA3003D2 Evaluation Module (TPA3003D2EVM) User Manual, TI literature number SLOU159. The EVM user manual is available on the TI web site at <http://www.ti.com>.

### basic measurement system

This section focuses on methods that use the basic equipment listed below:

- Audio analyzer or spectrum analyzer
- Digital multimeter (DMM)
- Oscilloscope
- Twisted pair wires
- Signal generator
- Power resistor(s)
- Linear regulated power supply
- Filter components
- EVM or other complete audio circuit

## APPLICATION INFORMATION

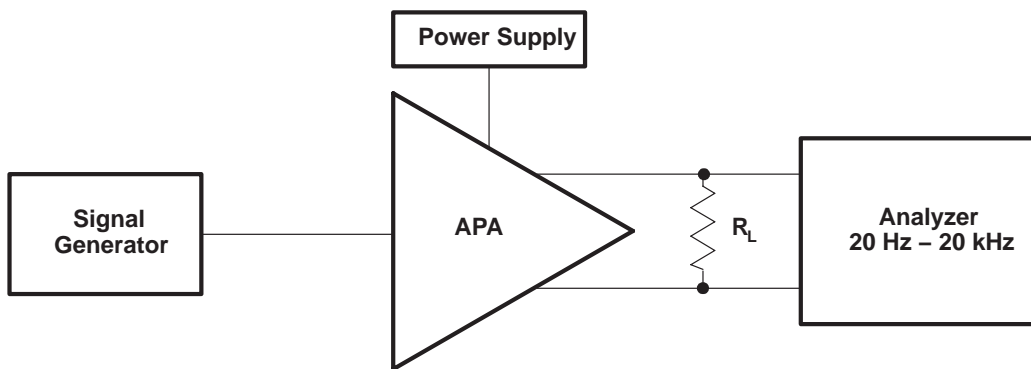
Figure 29 shows the block diagrams of basic measurement systems for class-AB and class-D amplifiers. A sine wave is normally used as the input signal since it consists of the fundamental frequency only (no other harmonics are present). An analyzer is then connected to the APA output to measure the voltage output. The analyzer must be capable of measuring the entire audio bandwidth. A regulated dc power supply is used to reduce the noise and distortion injected into the APA through the power pins. A System Two audio measurement system (AP-II) (Reference 1) by Audio Precision includes the signal generator and analyzer in one package.

The generator output and amplifier input must be ac-coupled. However, the EVMs already have the ac-coupling capacitors, ( $C_{IN}$ ), so no additional coupling is required. The generator output impedance should be low to avoid attenuating the test signal, and is important since the input resistance of APAs is not very high (about 10 k $\Omega$ ). Conversely the analyzer-input impedance should be high. The output impedance,  $R_{OUT}$ , of the APA is normally in the hundreds of milliohms and can be ignored for all but the power-related calculations.

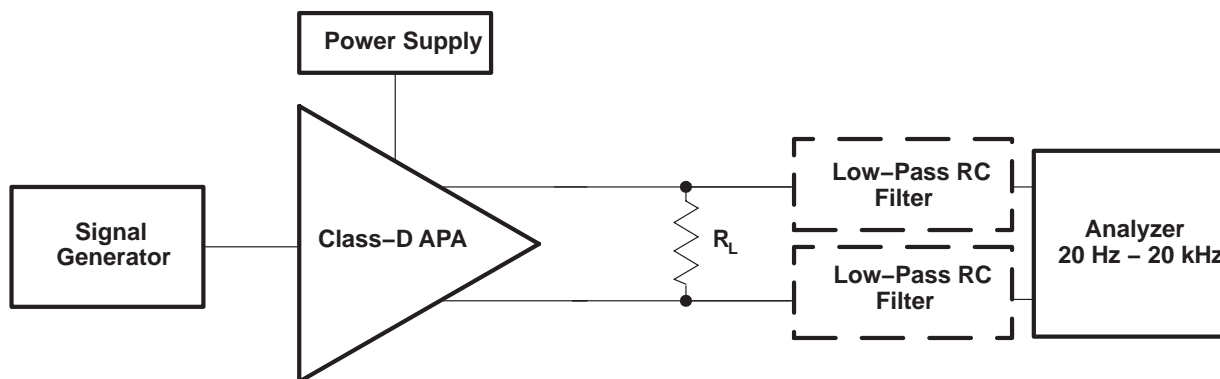
Figure 29(a) shows a class-AB amplifier system, which is relatively simple because these amplifiers are linear their output signal is a linear representation of the input signal. They take analog signal input and produce analog signal output. These amplifier circuits can be directly connected to the AP-II or other analyzer input.

This is not true of the class-D amplifier system shown in Figure 29(b), which requires low pass filters in most cases in order to measure the audio output waveforms. This is because it takes an analog input signal and converts it into a pulse-width modulated (PWM) output signal that is not accurately processed by some analyzers.

APPLICATION INFORMATION



(a) Basic Class-AB



(b) Filter-Free and Traditional Class-D

Figure 29. Audio Measurement Systems

The TPA3003D2 uses a modulation scheme that does not require an output filter for operation, but they do sometimes require an RC low-pass filter when making measurements. This is because some analyzer inputs cannot accurately process the rapidly changing square-wave output and therefore record an extremely high level of distortion. The RC low-pass measurement filter is used to remove the modulated waveforms so the analyzer can measure the output sine wave.

APPLICATION INFORMATION

differential input and BTL output

All of the class-D APAs and many class-AB APAs have differential inputs and bridge-tied load (BTL) outputs. Differential inputs have two input pins per channel and amplify the difference in voltage between the pins. Differential inputs reduce the common-mode noise and distortion of the input circuit. BTL is a term commonly used in audio to describe differential outputs. BTL outputs have two output pins providing voltages that are 180 degrees out of phase. The load is connected between these pins. This has the added benefits of quadrupling the output power to the load and eliminating a dc blocking capacitor.

A block diagram of the measurement circuit is shown in Figure 30. The differential input is a balanced input, meaning the positive (+) and negative (-) pins will have the same impedance to ground. Similarly, the BTL output equates to a balanced output.

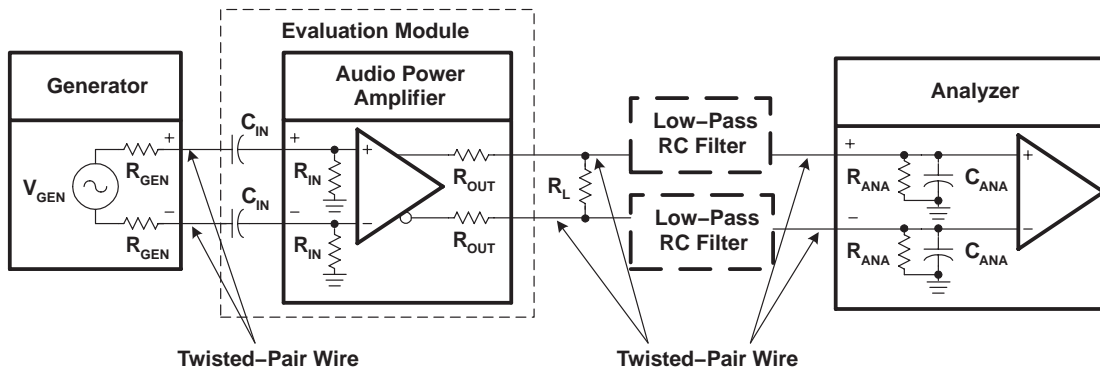


Figure 30. Differential Input—BTL Output Measurement Circuit

The generator should have balanced outputs and the signal should be balanced for best results. An unbalanced output can be used, but it may create a ground loop that will affect the measurement accuracy. The analyzer must also have balanced inputs for the system to be fully balanced, thereby cancelling out any common mode noise in the circuit and providing the most accurate measurement.

The following general rules should be followed when connecting to APAs with differential inputs and BTL outputs:

- Use a balanced source to supply the input signal.
- Use an analyzer with balanced inputs.
- Use twisted-pair wire for all connections.
- Use shielding when the system environment is noisy.
- Ensure the cables from the power supply to the APA, and from the APA to the load, can handle the large currents (see Table 2).

Table 2 shows the recommended wire size for the power supply and load cables of the APA system. The real concern is the dc or ac power loss that occurs as the current flows through the cable. These recommendations are based on 12-inch long wire with a 20-kHz sine-wave signal at 25°C.

APPLICATION INFORMATION

Table 2. Recommended Minimum Wire Size for Power Cables

| P <sub>OUT</sub><br>(W) | R <sub>L</sub><br>(Ω) | AWG SIZE | DC POWER LOSS<br>(mW) |     | AC POWER LOSS<br>(mW) |     |
|-------------------------|-----------------------|----------|-----------------------|-----|-----------------------|-----|
|                         |                       |          |                       |     |                       |     |
| 1                       | 8                     | 22 to 28 | 2.0                   | 8.0 | 2.1                   | 8.1 |
| < 0.75                  | 8                     | 22 to 28 | 1.5                   | 6.1 | 1.6                   | 6.2 |

Class-D RC low-pass filter

A RC filter is used to reduce the square-wave output when the analyzer inputs cannot process the pulse-width modulated class-D output waveform. This filter has little effect on the measurement accuracy because the cutoff frequency is set above the audio band. The high frequency of the square wave has negligible impact on measurement accuracy because it is well above the audible frequency range and the speaker cone cannot respond at such a fast rate. The RC filter is not required when an LC low-pass filter is used, such as with the class-D APAs that employ the traditional modulation scheme (TPA032D0x, TPA005Dxx).

The component values of the RC filter are selected using the equivalent output circuit as shown in Figure 31. R<sub>L</sub> is the load impedance that the APA is driving for the test. The analyzer input impedance specifications should be available and substituted for R<sub>ANA</sub> and C<sub>ANA</sub>. The filter components, R<sub>FILT</sub> and C<sub>FILT</sub>, can then be derived for the system. The filter should be grounded to the APA near the output ground pins or at the power supply ground pin to minimize ground loops.

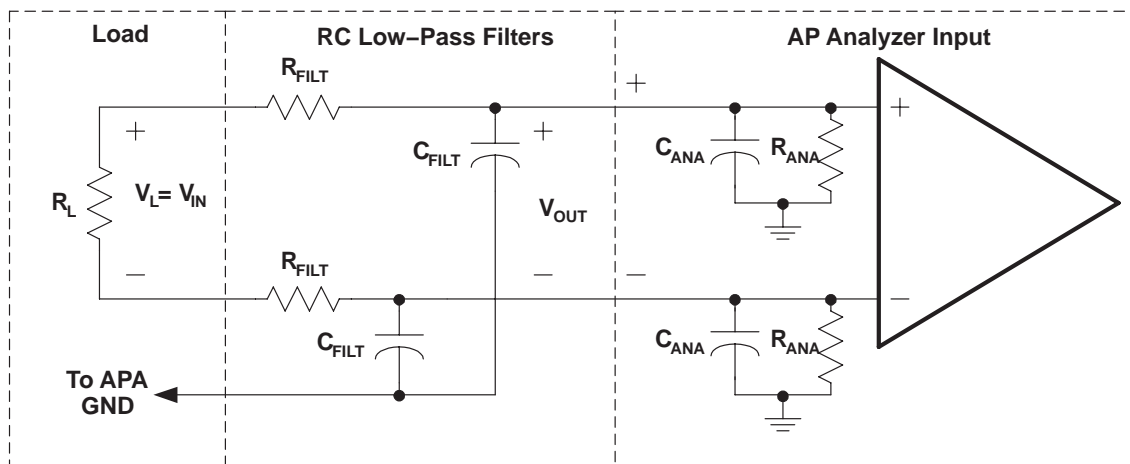


Figure 31. Measurement Low-Pass Filter Derivation Circuit—Class-D APAs

APPLICATION INFORMATION

The transfer function for this circuit is shown in equation (10) where  $\omega_O = R_{EQ}C_{EQ}$ ,  $R_{EQ} = R_{FILT} \parallel R_{ANA}$  and  $C_{EQ} = (C_{FILT} + C_{ANA})$ . The filter frequency should be set above  $f_{MAX}$ , the highest frequency of the measurement bandwidth, to avoid attenuating the audio signal. Equation (11) provides this cutoff frequency,  $f_C$ . The value of  $R_{FILT}$  must be chosen large enough to minimize current that is shunted from the load, yet small enough to minimize the attenuation of the analyzer-input voltage through the voltage divider formed by  $R_{FILT}$  and  $R_{ANA}$ . A rule of thumb is that  $R_{FILT}$  should be small ( $\sim 100 \Omega$ ) for most measurements. This reduces the measurement error to less than 1% for  $R_{ANA} \geq 10 \text{ k}\Omega$ .

$$\left(\frac{V_{OUT}}{V_{IN}}\right) = \frac{\left(\frac{R_{ANA}}{R_{ANA} + R_{FILT}}\right)}{1 + j\left(\frac{\omega}{\omega_O}\right)} \tag{10}$$

$$f_C = \sqrt{2} \times f_{MAX} \tag{11}$$

An exception occurs with the efficiency measurements, where  $R_{FILT}$  must be increased by a factor of ten to reduce the current shunted through the filter.  $C_{FILT}$  must be decreased by a factor of ten to maintain the same cutoff frequency. See Table 3 for the recommended filter component values.

Once  $f_C$  is determined and  $R_{FILT}$  is selected, the filter capacitance is calculated using equation (12). When the calculated value is not available, it is better to choose a smaller capacitance value to keep  $f_C$  above the minimum desired value calculated in equation (11).

$$C_{FILT} = \frac{1}{2\pi \times f_C \times R_{FILT}} \tag{12}$$

Table 3 shows recommended values of  $R_{FILT}$  and  $C_{FILT}$  based on common component values. The value of  $f_C$  was originally calculated to be 28 kHz for an  $f_{MAX}$  of 20 kHz.  $C_{FILT}$ , however, was calculated to be 57000 pF, but the nearest values of 56000 pF and 51000 pF were not available. A 47000 pF capacitor was used instead, and  $f_C$  is 34 kHz, which is above the desired value of 28 kHz.

Table 3. Typical RC Measurement Filter Values

| MEASUREMENT            | R <sub>FILT</sub> | C <sub>FILT</sub> |
|------------------------|-------------------|-------------------|
| Efficiency             | 1 000 Ω           | 5 600 pF          |
| All other measurements | 100 Ω             | 56 000 pF         |

**PACKAGING INFORMATION**

| Orderable Device | Status<br>(1) | Package Type | Package Drawing | Pins | Package Qty | Eco Plan<br>(2)         | Lead/Ball Finish<br>(6) | MSL Peak Temp<br>(3) | Op Temp (°C) | Device Marking<br>(4/5) | Samples                 |
|------------------|---------------|--------------|-----------------|------|-------------|-------------------------|-------------------------|----------------------|--------------|-------------------------|-------------------------|
| TPA3003D2PFB     | ACTIVE        | TQFP         | PFB             | 48   | 250         | Green (RoHS & no Sb/Br) | CU NIPDAU               | Level-2-260C-1 YEAR  | -40 to 85    | TPA3003D2               | <a href="#">Samples</a> |
| TPA3003D2PFBR    | ACTIVE        | TQFP         | PFB             | 48   | 1000        | Green (RoHS & no Sb/Br) | CU NIPDAU               | Level-2-260C-1 YEAR  | -40 to 85    | TPA3003D2               | <a href="#">Samples</a> |
| TPA3003D2PFBRG4  | ACTIVE        | TQFP         | PFB             | 48   | 1000        | Green (RoHS & no Sb/Br) | CU NIPDAU               | Level-2-260C-1 YEAR  | -40 to 85    | TPA3003D2               | <a href="#">Samples</a> |

(1) The marketing status values are defined as follows:

**ACTIVE:** Product device recommended for new designs.

**LIFEBUY:** TI has announced that the device will be discontinued, and a lifetime-buy period is in effect.

**NRND:** Not recommended for new designs. Device is in production to support existing customers, but TI does not recommend using this part in a new design.

**PREVIEW:** Device has been announced but is not in production. Samples may or may not be available.

**OBSOLETE:** TI has discontinued the production of the device.

(2) **RoHS:** TI defines "RoHS" to mean semiconductor products that are compliant with the current EU RoHS requirements for all 10 RoHS substances, including the requirement that RoHS substance do not exceed 0.1% by weight in homogeneous materials. Where designed to be soldered at high temperatures, "RoHS" products are suitable for use in specified lead-free processes. TI may reference these types of products as "Pb-Free".

**RoHS Exempt:** TI defines "RoHS Exempt" to mean products that contain lead but are compliant with EU RoHS pursuant to a specific EU RoHS exemption.

**Green:** TI defines "Green" to mean the content of Chlorine (Cl) and Bromine (Br) based flame retardants meet JS709B low halogen requirements of <=1000ppm threshold. Antimony trioxide based flame retardants must also meet the <=1000ppm threshold requirement.

(3) MSL, Peak Temp. - The Moisture Sensitivity Level rating according to the JEDEC industry standard classifications, and peak solder temperature.

(4) There may be additional marking, which relates to the logo, the lot trace code information, or the environmental category on the device.

(5) Multiple Device Markings will be inside parentheses. Only one Device Marking contained in parentheses and separated by a "-" will appear on a device. If a line is indented then it is a continuation of the previous line and the two combined represent the entire Device Marking for that device.

(6) Lead/Ball Finish - Orderable Devices may have multiple material finish options. Finish options are separated by a vertical ruled line. Lead/Ball Finish values may wrap to two lines if the finish value exceeds the maximum column width.

**Important Information and Disclaimer:** The information provided on this page represents TI's knowledge and belief as of the date that it is provided. TI bases its knowledge and belief on information provided by third parties, and makes no representation or warranty as to the accuracy of such information. Efforts are underway to better integrate information from third parties. TI has taken and continues to take reasonable steps to provide representative and accurate information but may not have conducted destructive testing or chemical analysis on incoming materials and chemicals. TI and TI suppliers consider certain information to be proprietary, and thus CAS numbers and other limited information may not be available for release.

In no event shall TI's liability arising out of such information exceed the total purchase price of the TI part(s) at issue in this document sold by TI to Customer on an annual basis.

## TAPE AND REEL INFORMATION



### QUADRANT ASSIGNMENTS FOR PIN 1 ORIENTATION IN TAPE



\*All dimensions are nominal

| Device        | Package Type | Package Drawing | Pins | SPQ  | Reel Diameter (mm) | Reel Width W1 (mm) | A0 (mm) | B0 (mm) | K0 (mm) | P1 (mm) | W (mm) | Pin1 Quadrant |
|---------------|--------------|-----------------|------|------|--------------------|--------------------|---------|---------|---------|---------|--------|---------------|
| TPA3003D2PFBR | TQFP         | PFB             | 48   | 1000 | 330.0              | 16.4               | 9.6     | 9.6     | 1.5     | 12.0    | 16.0   | Q2            |

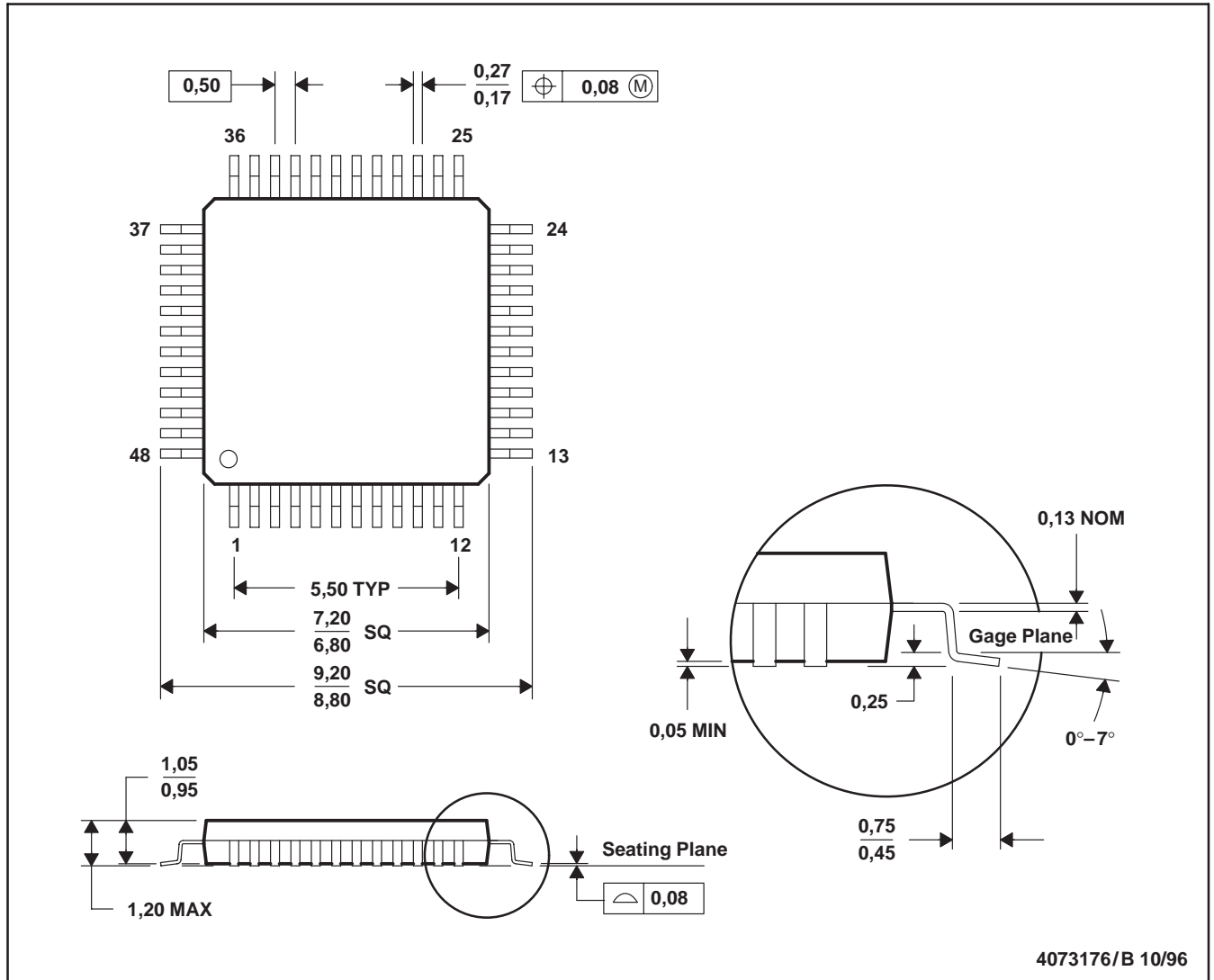
**TAPE AND REEL BOX DIMENSIONS**


\*All dimensions are nominal

| Device        | Package Type | Package Drawing | Pins | SPQ  | Length (mm) | Width (mm) | Height (mm) |
|---------------|--------------|-----------------|------|------|-------------|------------|-------------|
| TPA3003D2PFBR | TQFP         | PFB             | 48   | 1000 | 350.0       | 350.0      | 43.0        |

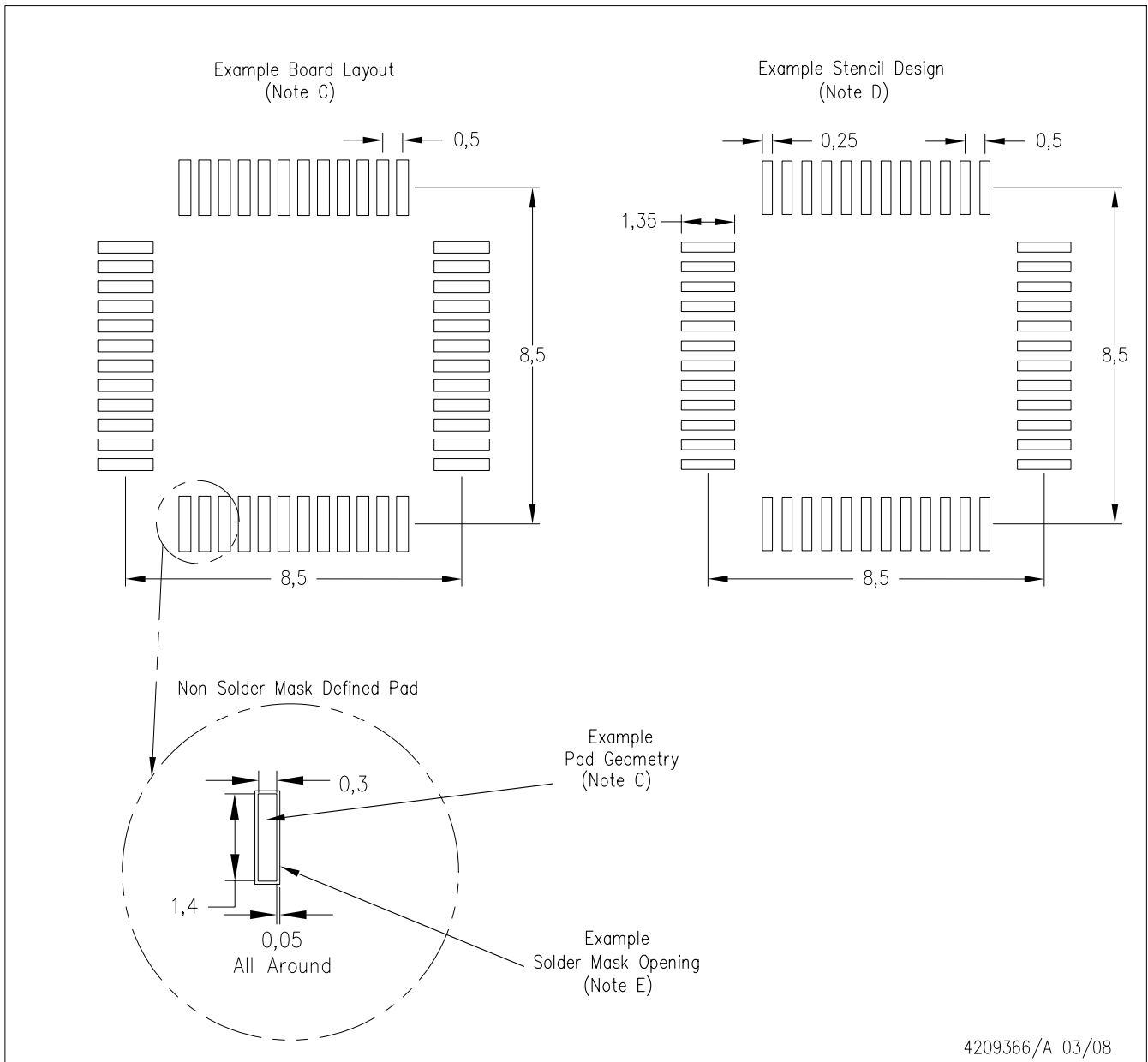
PFB (S-PQFP-G48)

PLASTIC QUAD FLATPACK



- NOTES: A. All linear dimensions are in millimeters.  
 B. This drawing is subject to change without notice.  
 C. Falls within JEDEC MS-026

PFB (S-PQFP-G48)



- NOTES:
- A. All linear dimensions are in millimeters.
  - B. This drawing is subject to change without notice.
  - C. Publication IPC-7351 is recommended for alternate designs.
  - D. Laser cutting apertures with trapezoidal walls and also rounding corners will offer better paste release. Customers should contact their board assembly site for stencil design recommendations. Refer to IPC-7525.
  - E. Customers should contact their board fabrication site for solder mask tolerances between and around signal pads.

## IMPORTANT NOTICE AND DISCLAIMER

TI PROVIDES TECHNICAL AND RELIABILITY DATA (INCLUDING DATASHEETS), DESIGN RESOURCES (INCLUDING REFERENCE DESIGNS), APPLICATION OR OTHER DESIGN ADVICE, WEB TOOLS, SAFETY INFORMATION, AND OTHER RESOURCES "AS IS" AND WITH ALL FAULTS, AND DISCLAIMS ALL WARRANTIES, EXPRESS AND IMPLIED, INCLUDING WITHOUT LIMITATION ANY IMPLIED WARRANTIES OF MERCHANTABILITY, FITNESS FOR A PARTICULAR PURPOSE OR NON-INFRINGEMENT OF THIRD PARTY INTELLECTUAL PROPERTY RIGHTS.

These resources are intended for skilled developers designing with TI products. You are solely responsible for (1) selecting the appropriate TI products for your application, (2) designing, validating and testing your application, and (3) ensuring your application meets applicable standards, and any other safety, security, or other requirements. These resources are subject to change without notice. TI grants you permission to use these resources only for development of an application that uses the TI products described in the resource. Other reproduction and display of these resources is prohibited. No license is granted to any other TI intellectual property right or to any third party intellectual property right. TI disclaims responsibility for, and you will fully indemnify TI and its representatives against, any claims, damages, costs, losses, and liabilities arising out of your use of these resources.

TI's products are provided subject to TI's Terms of Sale ([www.ti.com/legal/termsofsale.html](http://www.ti.com/legal/termsofsale.html)) or other applicable terms available either on [ti.com](http://ti.com) or provided in conjunction with such TI products. TI's provision of these resources does not expand or otherwise alter TI's applicable warranties or warranty disclaimers for TI products.

Mailing Address: Texas Instruments, Post Office Box 655303, Dallas, Texas 75265  
Copyright © 2019, Texas Instruments Incorporated

## Looking for pricing, stock, or lifecycle information?

Click below to explore more details on WIN SOURCE:

 [View TPA3003D2PFBR](#) on WIN SOURCE

 [Texas Instruments](#) Information

## Optimize Your Supply Chain with WIN SOURCE Solutions

-  Global Sourcing Solution
-  Obsolete Management
-  Cost Control Management
-  Shortage Management
-  Alternative Solution
-  Excess Inventory Management