



**THE DATASHEET OF  
TP3057WMX/NOPB**



# TP3054. TP3057

*Enhanced Serial Interface CODEC/Filter COMBO Family*



Literature Number: SNAS569

## TP3054, TP3057 “Enhanced” Serial Interface CODEC/Filter COMBO® Family

### General Description

The TP3054, TP3057 family consists of  $\mu$ -law and A-law monolithic PCM CODEC/filters utilizing the A/D and D/A conversion architecture shown in *Figure 1*, and a serial PCM interface. The devices are fabricated using National's advanced double-poly CMOS process (microCMOS).

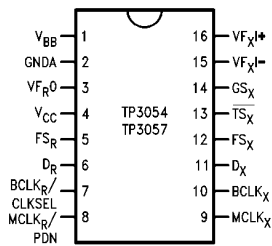
The encode portion of each device consists of an input gain adjust amplifier, an active RC pre-filter which eliminates very high frequency noise prior to entering a switched-capacitor band-pass filter that rejects signals below 200 Hz and above 3400 Hz. Also included are auto-zero circuitry and a companding coder which samples the filtered signal and encodes it in the companded  $\mu$ -law or A-law PCM format. The decode portion of each device consists of an expanding decoder, which reconstructs the analog signal from the companded  $\mu$ -law or A-law code, a low-pass filter which corrects for the  $\sin x/x$  response of the decoder output and rejects signals above 3400 Hz followed by a single-ended power amplifier capable of driving low impedance loads. The devices require two 1.536 MHz, 1.544 MHz or 2.048 MHz transmit and receive master clocks, which may be asynchronous; transmit and receive bit clocks, which may vary from 64 kHz to 2.048 MHz; and transmit and receive frame sync pulses. The timing of the frame sync pulses and PCM data is compatible with both industry standard formats.

### Features

- Complete CODEC and filtering system (COMBO) including:
  - Transmit high-pass and low-pass filtering
  - Receive low-pass filter with  $\sin x/x$  correction
  - Active RC noise filters
  - $\mu$ -law or A-law compatible Coder and Decoder
  - Internal precision voltage reference
  - Serial I/O interface
  - Internal auto-zero circuitry
- $\mu$ -law, 16-pin—TP3054
- A-law, 16-pin—TP3057
- Designed for D3/D4 and CCITT applications
- $\pm 5V$  operation
- Low operating power—typically 50 mW
- Power-down standby mode—typically 3 mW
- Automatic power-down
- TTL or CMOS compatible digital interfaces
- Maximizes line interface card circuit density
- Dual-In-Line or surface mount packages
- See also AN-370, “Techniques for Designing with CODEC/Filter COMBO Circuits”

### Connection Diagrams

Dual-In-Line Package



Top View

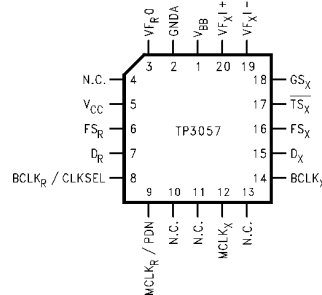
Order Number TP3054J or TP3057J  
See NS Package Number J16A

Order Number TP3054N or TP3057N  
See NS Package Number N16A

Order Number TP3054WM or TP3057WM  
See NS Package Number M16B

TL/H/5510-1

Plastic Chip Carriers



Top View

Order Number TP3057V  
See NS Package Number V20A

TL/H/5510-10

COMBO® and TRI-STATE® are registered trademarks of National Semiconductor Corporation.

## Block Diagram

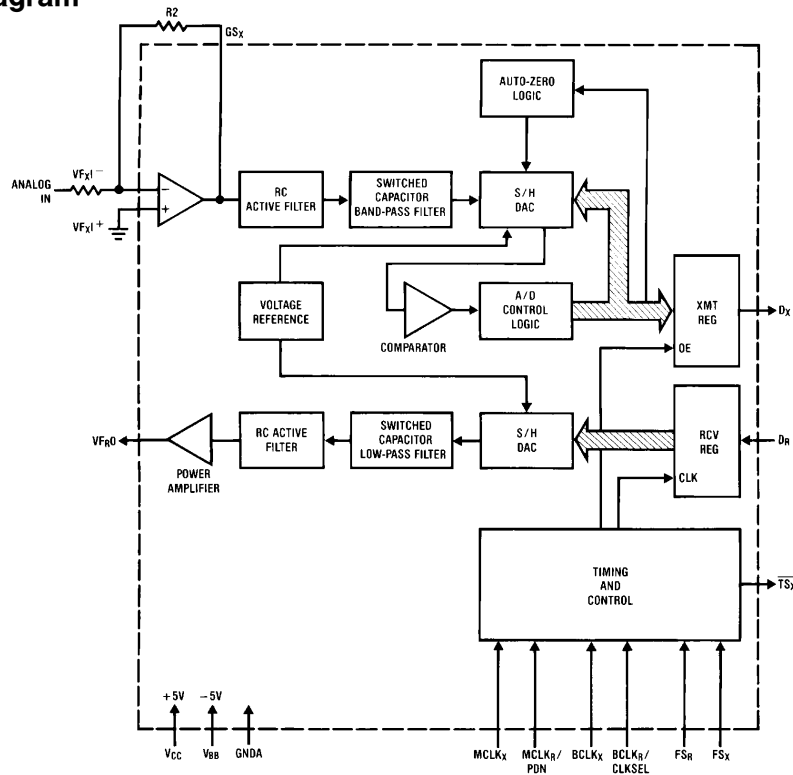


FIGURE 1

TL/H/5510-2

## Pin Description

| Symbol          | Function   | Symbol            | Function  |
|-----------------|--|-------------------|---|
| $V_{BB}$        | Negative power supply pin.<br>$V_{BB} = -5V \pm 5\%$ .   | $MCLK_X$          | Transmit master clock. Must be 1.536 MHz, 1.544 MHz or 2.048 MHz. May be asynchronous with $MCLK_R$ . Best performance is realized from synchronous operation.      |
| GND             | Analog ground. All signals are referenced to this pin.   | $FS_X$            | Transmit frame sync pulse input which enables $BCLK_X$ to shift out the PCM data on $D_X$ . $FS_X$ is an 8 kHz pulse train, see Figures 2 and 3 for timing details. |
| $V_{FR0}$       | Analog output of the receive power amplifier.  | $BCLK_X$          | The bit clock which shifts out the PCM data on $D_X$ . May vary from 64 kHz to 2.048 MHz, but must be synchronous with $MCLK_X$ .                                   |
| $V_{CC}$        | Positive power supply pin.<br>$V_{CC} = +5V \pm 5\%$ .   | $D_X$             | The TRI-STATE <sup>®</sup> PCM data output which is enabled by $FS_X$ .   |
| $FS_R$          | Receive frame sync pulse which enables $BCLK_R$ to shift PCM data into $D_R$ . $FS_R$ is an 8 kHz pulse train. See Figures 2 and 3 for timing details.   | $\overline{TS}_X$ | Open drain output which pulses low during the encoder time slot.  |
| $D_R$           | Receive data input. PCM data is shifted into $D_R$ following the $FS_R$ leading edge.  | $GS_X$            | Analog output of the transmit input amplifier. Used to externally set gain.   |
| $BCLK_R/CLKSEL$ | The bit clock which shifts data into $D_R$ after the $FS_R$ leading edge. May vary from 64 kHz to 2.048 MHz. Alternatively, may be a logic input which selects either 1.536 MHz/1.544 MHz or 2.048 MHz for master clock in synchronous mode and $BCLK_X$ is used for both transmit and receive directions (see Table I). | $VF_{X1-}$        | Inverting input of the transmit input amplifier.  |
| $MCLK_R/PDN$    | Receive master clock. Must be 1.536 MHz, 1.544 MHz or 2.048 MHz. May be asynchronous with $MCLK_X$ , but   | $VF_{X1+}$        | Non-inverting input of the transmit input amplifier.  |

## Functional Description

### POWER-UP

When power is first applied, power-on reset circuitry initializes the COMBO and places it into a power-down state. All non-essential circuits are deactivated and the  $D_X$  and  $V_{FRO}$  outputs are put in high impedance states. To power-up the device, a logical low level or clock must be applied to the  $MCLK_R$ /PDN pin and  $FS_X$  and/or  $FS_R$  pulses must be present. Thus, 2 power-down control modes are available. The first is to pull the  $MCLK_R$ /PDN pin high; the alternative is to hold both  $FS_X$  and  $FS_R$  inputs continuously low—the device will power-down approximately 1 ms after the last  $FS_X$  or  $FS_R$  pulse. Power-up will occur on the first  $FS_X$  or  $FS_R$  pulse. The TRI-STATE PCM data output,  $D_X$ , will remain in the high impedance state until the second  $FS_X$  pulse.

### SYNCHRONOUS OPERATION

For synchronous operation, the same master clock and bit clock should be used for both the transmit and receive directions. In this mode, a clock must be applied to  $MCLK_X$  and the  $MCLK_R$ /PDN pin can be used as a power-down control. A low level on  $MCLK_R$ /PDN powers up the device and a high level powers down the device. In either case,  $MCLK_X$  will be selected as the master clock for both the transmit and receive circuits. A bit clock must also be applied to  $BCLK_X$  and the  $BCLK_R$ /CLKSEL can be used to select the proper internal divider for a master clock of 1.536 MHz, 1.544 MHz or 2.048 MHz. For 1.544 MHz operation, the device automatically compensates for the 193rd clock pulse each frame.

With a fixed level on the  $BCLK_R$ /CLKSEL pin,  $BCLK_X$  will be selected as the bit clock for both the transmit and receive directions. Table 1 indicates the frequencies of operation which can be selected, depending on the state of  $BCLK_R$ /CLKSEL. In this synchronous mode, the bit clock,  $BCLK_X$ , may be from 64 kHz to 2.048 MHz, but must be synchronous with  $MCLK_X$ .

Each  $FS_X$  pulse begins the encoding cycle and the PCM data from the previous encode cycle is shifted out of the enabled  $D_X$  output on the positive edge of  $BCLK_X$ . After 8 bit clock periods, the TRI-STATE  $D_X$  output is returned to a high impedance state. With an  $FS_R$  pulse, PCM data is latched via the  $D_R$  input on the negative edge of  $BCLK_X$  (or  $BCLK_R$  if running).  $FS_X$  and  $FS_R$  must be synchronous with  $MCLK_X/R$ .

TABLE 1. Selection of Master Clock Frequencies

| BCLK <sub>R</sub> /CLKSEL | Master Clock Frequency Selected |                        |
|---------------------------|---------------------------------|------------------------|
|                           | TP3057                          | TP3054                 |
| Clocked                   | 2.048 MHz                       | 1.536 MHz or 1.544 MHz |
| 0                         | 1.536 MHz or 1.544 MHz          | 2.048 MHz              |
| 1                         | 2.048 MHz                       | 1.536 MHz or 1.544 MHz |

### ASYNCHRONOUS OPERATION

For asynchronous operation, separate transmit and receive clocks may be applied.  $MCLK_X$  and  $MCLK_R$  must be 2.048 MHz for the TP3057, or 1.536 MHz, 1.544 MHz for the TP3054, and need not be synchronous. For best transmission performance, however,  $MCLK_R$  should be synchronous with  $MCLK_X$ , which is easily achieved by applying only static logic levels to the  $MCLK_R$ /PDN pin. This will automatically connect  $MCLK_X$  to all internal  $MCLK_R$  functions (see Pin Description). For 1.544 MHz operation, the device automatically compensates for the 193rd clock pulse each frame.  $FS_X$  starts each encoding cycle and must be synchronous with  $MCLK_X$  and  $BCLK_X$ .  $FS_R$  starts each decoding cycle and must be synchronous with  $BCLK_R$ .  $BCLK_R$  must be a clock, the logic levels shown in Table 1 are not valid in asynchronous mode.  $BCLK_X$  and  $BCLK_R$  may operate from 64 kHz to 2.048 MHz.

### SHORT FRAME SYNC OPERATION

The COMBO can utilize either a short frame sync pulse or a long frame sync pulse. Upon power initialization, the device assumes a short frame mode. In this mode, both frame sync pulses,  $FS_X$  and  $FS_R$ , must be one bit clock period long, with timing relationships specified in Figure 2. With  $FS_X$  high during a falling edge of  $BCLK_X$ , the next rising edge of  $BCLK_X$  enables the  $D_X$  TRI-STATE output buffer, which will output the sign bit. The following seven rising edges clock out the remaining seven bits, and the next falling edge disables the  $D_X$  output. With  $FS_R$  high during a falling edge of  $BCLK_R$  ( $BCLK_X$  in synchronous mode), the next falling edge of  $BCLK_R$  latches in the sign bit. The following seven falling edges latch in the seven remaining bits. All four devices may utilize the short frame sync pulse in synchronous or asynchronous operating mode.

### LONG FRAME SYNC OPERATION

To use the long frame mode, both the frame sync pulses,  $FS_X$  and  $FS_R$ , must be three or more bit clock periods long, with timing relationships specified in Figure 3. Based on the transmit frame sync,  $FS_X$ , the COMBO will sense whether short or long frame sync pulses are being used. For 64 kHz operation, the frame sync pulse must be kept low for a minimum of 160 ns. The  $D_X$  TRI-STATE output buffer is enabled with the rising edge of  $FS_X$  or the rising edge of  $BCLK_X$ , whichever comes later, and the first bit clocked out is the sign bit. The following seven  $BCLK_X$  rising edges clock out the remaining seven bits. The  $D_X$  output is disabled by the falling  $BCLK_X$  edge following the eighth rising edge, or by  $FS_X$  going low, whichever comes later. A rising edge on the receive frame sync pulse,  $FS_R$ , will cause the PCM data at  $D_R$  to be latched in on the next eight falling edges of  $BCLK_R$  ( $BCLK_X$  in synchronous mode). All four devices may utilize the long frame sync pulse in synchronous or asynchronous mode.

In applications where the LSB bit is used for signalling with  $FS_R$  two bit clock periods long, the decoder will interpret the lost LSB as “1/2” to minimize noise and distortion.

## Functional Description (Continued)

### TRANSMIT SECTION

The transmit section input is an operational amplifier with provision for gain adjustment using two external resistors, see *Figure 4*. The low noise and wide bandwidth allow gains in excess of 20 dB across the audio passband to be realized. The op amp drives a unity-gain filter consisting of RC active pre-filter, followed by an eighth order switched-capacitor bandpass filter clocked at 256 kHz. The output of this filter directly drives the encoder sample-and-hold circuit. The A/D is of companding type according to  $\mu$ -law (TP3054) or A-law (TP3057) coding conventions. A precision voltage reference is trimmed in manufacturing to provide an input overload ( $t_{MAX}$ ) of nominally 2.5V peak (see table of Transmission Characteristics). The  $FS_X$  frame sync pulse controls the sampling of the filter output, and then the successive-approximation encoding cycle begins. The 8-bit code is then loaded into a buffer and shifted out through  $D_X$  at the next  $FS_X$  pulse. The total encoding delay will be approximately 165  $\mu$ s (due to the transmit filter) plus 125  $\mu$ s

(due to encoding delay), which totals 290  $\mu$ s. Any offset voltage due to the filters or comparator is cancelled by sign bit integration.

### RECEIVE SECTION

The receive section consists of an expanding DAC which drives a fifth order switched-capacitor low pass filter clocked at 256 kHz. The decoder is A-law (TP3057) or  $\mu$ -law (TP3054) and the 5th order low pass filter corrects for the  $\sin x/x$  attenuation due to the 8 kHz sample/hold. The filter is then followed by a 2nd order RC active post-filter/power amplifier capable of driving a 600 $\Omega$  load to a level of 7.2 dBm. The receive section is unity-gain. Upon the occurrence of  $FS_R$ , the data at the  $D_R$  input is clocked in on the falling edge of the next eight  $BCLK_R$  ( $BCLK_X$ ) periods. At the end of the decoder time slot, the decoding cycle begins, and 10  $\mu$ s later the decoder DAC output is updated. The total decoder delay is  $\sim 10 \mu$ s (decoder update) plus 110  $\mu$ s (filter delay) plus 62.5  $\mu$ s ( $1/2$  frame), which gives approximately 180  $\mu$ s.

## Absolute Maximum Ratings

If Military/Aerospace specified devices are required, please contact the National Semiconductor Sales Office/Distributors for availability and specifications.

|                                       |  |
|---------------------------------------|--|
| V <sub>CC</sub> to GNDA               | 7V   |
| V <sub>BB</sub> to GNDA               | -7V  |
| Voltage at any Analog Input or Output | V <sub>CC</sub> + 0.3V to V <sub>BB</sub> - 0.3V |

|  |                                       |
|--|---------------------------------------|
| Voltage at any Digital Input or Output   | V <sub>CC</sub> + 0.3V to GNDA - 0.3V |
| Operating Temperature Range              | -25°C to +125°C                       |
| Storage Temperature Range                | -65°C to +150°C                       |
| Lead Temperature (Soldering, 10 seconds) | 300°C                                 |
| ESD (Human Body Model)                   | 2000V                                 |
| Latch-Up Immunity                        | = 100 mA on any Pin                   |

**Electrical Characteristics** Unless otherwise noted, limits printed in **BOLD** characters are guaranteed for V<sub>CC</sub> = 5.0V ±5%, V<sub>BB</sub> = -5.0V ±5%; T<sub>A</sub> = 0°C to 70°C by correlation with 100% electrical testing at T<sub>A</sub> = 25°C. All other limits are assured by correlation with other production tests and/or product design and characterization. All signals referenced to GNDA. Typical values specified at V<sub>CC</sub> = 5.0V, V<sub>BB</sub> = -5.0V, T<sub>A</sub> = 25°C.

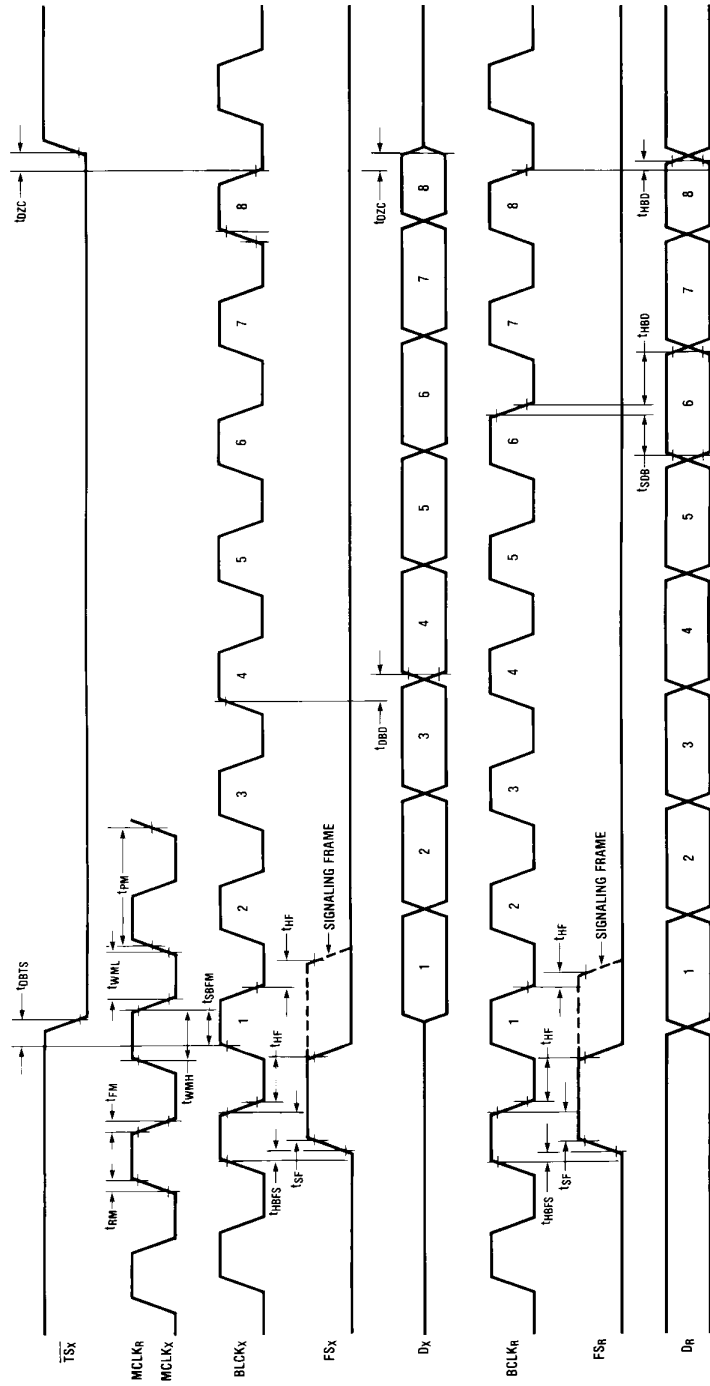
| Symbol  | Parameter  | Conditions  | Min                      | Typ  | Max                                    | Units       |
|---|--|---|--------------------------|------|--|-------------|
| <b>DIGITAL INTERFACE</b>  |  |   |                          |      |  |             |
| V <sub>IL</sub>   | Input Low Voltage                                  |   |                          |      | <b>0.6</b>                             | V           |
| V <sub>IH</sub>   | Input High Voltage                                 |   | <b>2.2</b>               |      |  | V           |
| V <sub>OL</sub>   | Output Low Voltage                                 | D <sub>X</sub> , I <sub>L</sub> = 3.2 mA<br>SI <sub>GR</sub> , I <sub>L</sub> = 1.0 mA<br>TS <sub>X</sub> , I <sub>L</sub> = 3.2 mA, Open Drain |                          |      | <b>0.4</b><br><b>0.4</b><br><b>0.4</b> | V<br>V<br>V |
| V <sub>OH</sub>   | Output High Voltage                                | D <sub>X</sub> , I <sub>H</sub> = -3.2 mA<br>SI <sub>GR</sub> , I <sub>H</sub> = -1.0 mA  | <b>2.4</b><br><b>2.4</b> |      |  | V<br>V      |
| I <sub>IL</sub>   | Input Low Current                                  | GNDA ≤ V <sub>IN</sub> ≤ V <sub>IL</sub> , All Digital Inputs   | -10                      |      | <b>10</b>                              | μA          |
| I <sub>IH</sub>   | Input High Current                                 | V <sub>IH</sub> ≤ V <sub>IN</sub> ≤ V <sub>CC</sub>   | -10                      |      | <b>10</b>                              | μA          |
| I <sub>OZ</sub>   | Output Current in High Impedance State (TRI-STATE) | D <sub>X</sub> , GNDA ≤ V <sub>O</sub> ≤ V <sub>CC</sub>  | -10                      |      | <b>10</b>                              | μA          |
| <b>ANALOG INTERFACE WITH TRANSMIT INPUT AMPLIFIER (ALL DEVICES)</b> |  |   |                          |      |  |             |
| I <sub>XA</sub>   | Input Leakage Current                              | -2.5V ≤ V ≤ +2.5V, VF <sub>XI</sub> <sup>+</sup> or VF <sub>XI</sub> <sup>-</sup>   | -200                     |      | <b>200</b>                             | nA          |
| R <sub>IXA</sub>  | Input Resistance                                   | -2.5V ≤ V ≤ +2.5V, VF <sub>XI</sub> <sup>+</sup> or VF <sub>XI</sub> <sup>-</sup>   | 10                       |      |  | MΩ          |
| R <sub>OXA</sub>  | Output Resistance                                  | Closed Loop, Unity Gain   |                          | 1    | 3                                      | Ω           |
| R <sub>LXA</sub>  | Load Resistance                                    | GS <sub>X</sub>   | 10                       |      |  | kΩ          |
| C <sub>LXA</sub>  | Load Capacitance                                   | GS <sub>X</sub>   |                          |      | 50                                     | pF          |
| V <sub>OXA</sub>  | Output Dynamic Range                               | GS <sub>X</sub> , R <sub>L</sub> ≥ 10 kΩ  | -2.8                     |      | <b>2.8</b>                             | V           |
| A <sub>VXA</sub>  | Voltage Gain                                       | VF <sub>XI</sub> <sup>+</sup> to GS <sub>X</sub>  | <b>5000</b>              |      |  | V/V         |
| F <sub>UXA</sub>  | Unity Gain Bandwidth                               |   | 1                        | 2    |  | MHz         |
| V <sub>OSXA</sub>   | Offset Voltage                                     |   | -20                      |      | <b>20</b>                              | mV          |
| V <sub>CMXA</sub>   | Common-Mode Voltage                                | CMRR <sub>XA</sub> > 60 dB  | -2.5                     |      | 2.5                                    | V           |
| CMRR <sub>XA</sub>  | Common-Mode Rejection Ratio                        | DC Test   | <b>60</b>                |      |  | dB          |
| PSRR <sub>XA</sub>  | Power Supply Rejection Ratio                       | DC Test   | <b>60</b>                |      |  | dB          |
| <b>ANALOG INTERFACE WITH RECEIVE FILTER (ALL DEVICES)</b>           |  |   |                          |      |  |             |
| R <sub>ORF</sub>  | Output Resistance                                  | Pin VF <sub>RO</sub>  |                          | 1    | 3                                      | Ω           |
| R <sub>LRF</sub>  | Load Resistance                                    | VF <sub>RO</sub> = ±2.5V  | 600                      |      |  | Ω           |
| C <sub>LRF</sub>  | Load Capacitance                                   |   |                          |      | 500                                    | pF          |
| V <sub>OSRO</sub>   | Output DC Offset Voltage                           |   | -200                     |      | <b>200</b>                             | mV          |
| <b>POWER DISSIPATION (ALL DEVICES)</b>                              |  |   |                          |      |  |             |
| I <sub>CC0</sub>  | Power-Down Current                                 | No Load (Note)  |                          | 0.5  | <b>1.5</b>                             | mA          |
| I <sub>BB0</sub>  | Power-Down Current                                 | No Load (Note)  |                          | 0.05 | <b>0.3</b>                             | mA          |
| I <sub>CC1</sub>  | Power-Up Active Current                            | No Load   |                          | 5.0  | <b>9.0</b>                             | mA          |
| I <sub>BB1</sub>  | Power-Up Active Current                            | No Load   |                          | 5.0  | <b>9.0</b>                             | mA          |

Note: I<sub>CC0</sub> and I<sub>BB0</sub> are measured after first achieving a power-up state.

**Timing Specifications** Unless otherwise noted, limits printed in **BOLD** characters are guaranteed for  $V_{CC} = 5.0V \pm 5\%$ ,  $V_{BB} = -5.0V \pm 5\%$ ;  $T_A = 0^\circ C$  to  $70^\circ C$  by correlation with 100% electrical testing at  $T_A = 25^\circ C$ . All other limits are assured by correlation with other production tests and/or product design and characterization. All signals referenced to GND. Typical values specified at  $V_{CC} = 5.0V$ ,  $V_{BB} = -5.0V$ ,  $T_A = 25^\circ C$ . All timing parameters are measured at  $V_{OH} = 2.0V$  and  $V_{OL} = 0.7V$ . See Definitions and Timing Conventions section for test methods information.

| Symbol     | Parameter  | Conditions  | Min        | Typ                            | Max   | Units             |
|------------|--|---|------------|--------------------------------|-------|-------------------|
| $1/t_{PM}$ | Frequency of Master Clocks   | Depends on the Device Used and the BCLK <sub>R</sub> /CLKSEL Pin. MCLK <sub>X</sub> and MCLK <sub>R</sub> |            | 1.536<br>1.544<br><b>2.048</b> |       | MHz<br>MHz<br>MHz |
| $t_{RM}$   | Rise Time of Master Clock  | MCLK <sub>X</sub> and MCLK <sub>R</sub>   |            |                                | 50    | ns                |
| $t_{FM}$   | Fall Time of Master Clock  | MCLK <sub>X</sub> and MCLK <sub>R</sub>   |            |                                | 50    | ns                |
| $t_{PB}$   | Period of Bit Clock  |   | 485        | <b>488</b>                     | 15725 | ns                |
| $t_{RB}$   | Rise Time of Bit Clock   | BCLK <sub>X</sub> and BCLK <sub>R</sub>   |            |                                | 50    | ns                |
| $t_{FB}$   | Fall Time of Bit Clock   | BCLK <sub>X</sub> and BCLK <sub>R</sub>   |            |                                | 50    | ns                |
| $t_{WMH}$  | Width of Master Clock High   | MCLK <sub>X</sub> and MCLK <sub>R</sub>   | <b>160</b> |                                |       | ns                |
| $t_{WML}$  | Width of Master Clock Low  | MCLK <sub>X</sub> and MCLK <sub>R</sub>   | <b>160</b> |                                |       | ns                |
| $t_{SBFM}$ | Set-Up Time from BCLK <sub>X</sub> High to MCLK <sub>X</sub> Falling Edge                      | First Bit Clock after the Leading Edge of FS <sub>X</sub>   | <b>100</b> |                                |       | ns                |
| $t_{SFFM}$ | Set-Up Time from FS <sub>X</sub> High to MCLK <sub>X</sub> Falling Edge                        | Long Frame Only   | <b>100</b> |                                |       | ns                |
| $t_{WBH}$  | Width of Bit Clock High  | $V_{IH} = 2.2V$   | <b>160</b> |                                |       | ns                |
| $t_{WBL}$  | Width of Bit Clock Low   | $V_{IL} = 0.6V$   | <b>160</b> |                                |       | ns                |
| $t_{HBFL}$ | Holding Time from Bit Clock Low to Frame Sync  | Long Frame Only   | <b>0</b>   |                                |       | ns                |
| $t_{HBFS}$ | Holding Time from Bit Clock High to Frame Sync   | Short Frame Only  | <b>0</b>   |                                |       | ns                |
| $t_{SFB}$  | Set-Up Time from Frame Sync to Bit Clock Low   | Long Frame Only   | <b>80</b>  |                                |       | ns                |
| $t_{DBD}$  | Delay Time from BCLK <sub>X</sub> High to Data Valid   | Load = 150 pF plus 2 LSTTL Loads  | 0          |                                | 140   | ns                |
| $t_{DBTS}$ | Delay Time to $\overline{TS}_X$ Low  | Load = 150 pF plus 2 LSTTL Loads  |            |                                | 140   | ns                |
| $t_{DZC}$  | Delay Time from BCLK <sub>X</sub> Low to Data Output Disabled                                  | $C_L = 0$ pF to 150 pF  | 50         |                                | 165   | ns                |
| $t_{DZF}$  | Delay Time to Valid Data from FS <sub>X</sub> or BCLK <sub>X</sub> , Whichever Comes Later     | $C_L = 0$ pF to 150 pF  | 20         |                                | 165   | ns                |
| $t_{SDB}$  | Set-Up Time from D <sub>R</sub> Valid to BCLK <sub>R/X</sub> Low                               |   | <b>50</b>  |                                |       | ns                |
| $t_{HBD}$  | Hold Time from BCLK <sub>R/X</sub> Low to D <sub>R</sub> Invalid                               |   | <b>50</b>  |                                |       | ns                |
| $t_{SF}$   | Set-Up Time from FS <sub>X/R</sub> to BCLK <sub>X/R</sub> Low                                  | Short Frame Sync Pulse (1 Bit Clock Period Long)  | <b>50</b>  |                                |       | ns                |
| $t_{HF}$   | Hold Time from BCLK <sub>X/R</sub> Low to FS <sub>X/R</sub> Low                                | Short Frame Sync Pulse (1 Bit Clock Period Long)  | <b>100</b> |                                |       | ns                |
| $t_{HBF1}$ | Hold Time from 3rd Period of Bit Clock Low to Frame Sync (FS <sub>X</sub> or FS <sub>R</sub> ) | Long Frame Sync Pulse (from 3 to 8 Bit Clock Periods Long)  | <b>100</b> |                                |       | ns                |
| $t_{WFL}$  | Minimum Width of the Frame Sync Pulse (Low Level)  | 64k Bit/s Operating Mode  | <b>160</b> |                                |       | ns                |

# Timing Diagrams



TL/H/5510-3

FIGURE 2. Short Frame Sync Timing



**Transmission Characteristics** Unless otherwise noted, limits printed in **BOLD** characters are guaranteed for  $V_{CC} = 5.0V \pm 5\%$ ,  $V_{BB} = -5.0V \pm 5\%$ ;  $T_A = 0^\circ C$  to  $70^\circ C$  by correlation with 100% electrical testing at  $T_A = 25^\circ C$ . All other limits are assured by correlation with other production tests and/or product design and characterization.  $G_{NDA} = 0V$ ,  $f = 1.02$  kHz,  $V_{IN} = 0$  dBm0, transmit input amplifier connected for unity gain non-inverting. Typicals specified at  $V_{CC} = 5.0V$ ,  $V_{BB} = -5.0V$ ,  $T_A = 25^\circ C$ .

| Symbol                    | Parameter   | Conditions   | Min  | Typ            | Max   | Units  |
|---------------------------|---|--|--|----------------|---|--|
| <b>AMPLITUDE RESPONSE</b> |   |  |  |                |   |  |
|                           | Absolute Levels<br>(Definition of Nominal Gain)         | Nominal 0 dBm0 Level is 4 dBm<br>(600Ω)<br>0 dBm0  |  | 1.2276         |   | Vrms   |
| $t_{MAX}$                 | Virtual Decision Valve Defined<br>Per CCITT Rec. G711   | Max Overload Level<br>TP3054 (3.17 dBm0)<br>TP3057 (3.14 dBm0)   |  | 2.501<br>2.492 |   | $V_{PK}$<br>$V_{PK}$                               |
| $G_{XA}$                  | Transmit Gain, Absolute                                 | $T_A = 25^\circ C$ , $V_{CC} = 5V$ , $V_{BB} = -5V$<br>Input at $G_{SX} = 0$ dBm0 at 1020 Hz<br>TP3054/57  | <b>-0.15</b>   |                | <b>0.15</b>   | dB   |
| $G_{XR}$                  | Transmit Gain, Relative to $G_{XA}$                     | $f = 16$ Hz<br>$f = 50$ Hz<br>$f = 60$ Hz<br>$f = 200$ Hz<br>$f = 300$ Hz – 3000 Hz<br>$f = 3300$ Hz<br>$f = 3400$ Hz<br>$f = 4000$ Hz<br>$f = 4600$ Hz and Up, Measure<br>Response from 0 Hz to 4000 Hz | <b>-1.8</b><br><b>-0.15</b><br><b>-0.35</b><br><b>-0.7</b> |                | -40<br>-30<br><b>-26</b><br><b>-0.1</b><br><b>0.15</b><br><b>0.05</b><br><b>0</b><br><b>-14</b><br><b>-32</b> | dB<br>dB<br>dB<br>dB<br>dB<br>dB<br>dB<br>dB<br>dB |
| $G_{XAT}$                 | Absolute Transmit Gain Variation<br>with Temperature    | Relative to $G_{XA}$   | -0.1   |                | 0.1   | dB   |
| $G_{XAV}$                 | Absolute Transmit Gain Variation<br>with Supply Voltage | Relative to $G_{XA}$   | <b>-0.05</b>   |                | <b>0.05</b>   | dB   |
| $G_{XRL}$                 | Transmit Gain Variations with<br>Level                  | Sinusoidal Test Method<br>Reference Level = -10 dBm0<br>$V_{FX} ^+ = -40$ dBm0 to +3 dBm0<br>$V_{FX} ^+ = -50$ dBm0 to -40 dBm0<br>$V_{FX} ^+ = -55$ dBm0 to -50 dBm0                                    | <b>-0.2</b><br><b>-0.4</b><br><b>-1.2</b>                  |                | <b>0.2</b><br><b>0.4</b><br><b>1.2</b>  | dB<br>dB<br>dB                                     |
| $G_{RA}$                  | Receive Gain, Absolute                                  | $T_A = 25^\circ C$ , $V_{CC} = 5V$ , $V_{BB} = -5V$<br>Input = Digital Code Sequence for<br>0 dBm0 Signal at 1020 Hz<br>TP3054/57  | <b>-0.15</b>   |                | <b>0.15</b>   | dB   |
| $G_{RR}$                  | Receive Gain, Relative to $G_{RA}$                      | $f = 0$ Hz to 3000 Hz<br>$f = 3300$ Hz<br>$f = 3400$ Hz<br>$f = 4000$ Hz   | <b>-0.15</b><br><b>-0.35</b><br><b>-0.7</b>                |                | <b>0.15</b><br><b>0.05</b><br><b>0</b><br><b>-14</b>  | dB<br>dB<br>dB<br>dB                               |
| $G_{RAT}$                 | Absolute Receive Gain Variation<br>with Temperature     | Relative to $G_{RA}$   | -0.1   |                | 0.1   | dB   |
| $G_{RAV}$                 | Absolute Receive Gain Variation<br>with Supply Voltage  | Relative to $G_{RA}$   | <b>-0.05</b>   |                | <b>0.05</b>   | dB   |
| $G_{RRL}$                 | Receive Gain Variations with<br>Level                   | Sinusoidal Test Method; Reference<br>Input PCM Code Corresponds to an<br>Ideally Encoded PCM Level<br>= -40 dBm0 to +3 dBm0<br>= -50 dBm0 to -40 dBm0<br>= -55 dBm0 to -50 dBm0                          | <b>-0.2</b><br><b>-0.4</b><br><b>-1.2</b>                  |                | <b>0.2</b><br><b>0.4</b><br><b>1.2</b>  | dB<br>dB<br>dB                                     |
| $V_{RO}$                  | Receive Output Drive Level                              | $R_L = 600\Omega$  | -2.5   |                | 2.5   | V  |

**Transmission Characteristics** (Continued) Unless otherwise noted, limits printed in **BOLD** characters are guaranteed for  $V_{CC} = 5.0V \pm 5\%$ ,  $V_{BB} = -5.0V \pm 5\%$ ;  $T_A = 0^\circ C$  to  $70^\circ C$  by correlation with 100% electrical testing at  $T_A = 25^\circ C$ . All other limits are assured by correlation with other production tests and/or product design and characterization.  $G_{NDA} = 0V$ ,  $f = 1.02$  kHz,  $V_{IN} = 0$  dBm0, transmit input amplifier connected for unity gain non-inverting. Typical values specified at  $V_{CC} = 5.0V$ ,  $V_{BB} = -5.0V$ ,  $T_A = 25^\circ C$ .

| Symbol  | Parameter                                 | Conditions  | Min       | Typ | Max        | Units   |
|---|---|---|-----------|-----|------------|---------|
| <b>ENVELOPE DELAY DISTORTION WITH FREQUENCY</b> |   |   |           |     |            |         |
| $D_{XA}$  | Transmit Delay, Absolute                  | $f = 1600$ Hz   |           | 290 | 315        | $\mu s$ |
| $D_{XR}$  | Transmit Delay, Relative to $D_{XA}$      | $f = 500$ Hz– $600$ Hz  |           | 195 | 220        | $\mu s$ |
|   |   | $f = 600$ Hz– $800$ Hz  |           | 120 | 145        | $\mu s$ |
|   |   | $f = 800$ Hz– $1000$ Hz   |           | 50  | 75         | $\mu s$ |
|   |   | $f = 1000$ Hz– $1600$ Hz  |           | 20  | 40         | $\mu s$ |
|   |   | $f = 1600$ Hz– $2600$ Hz  |           | 55  | 75         | $\mu s$ |
|   |   | $f = 2600$ Hz– $2800$ Hz  |           | 80  | 105        | $\mu s$ |
|   |   | $f = 2800$ Hz– $3000$ Hz  |           | 130 | 155        | $\mu s$ |
| $D_{RA}$  | Receive Delay, Absolute                   | $f = 1600$ Hz   |           | 180 | 200        | $\mu s$ |
| $D_{RR}$  | Receive Delay, Relative to $D_{RA}$       | $f = 500$ Hz– $1000$ Hz   | –40       | –25 |            | $\mu s$ |
|   |   | $f = 1000$ Hz– $1600$ Hz  | –30       | –20 |            | $\mu s$ |
|   |   | $f = 1600$ Hz– $2600$ Hz  |           | 70  | 90         | $\mu s$ |
|   |   | $f = 2600$ Hz– $2800$ Hz  |           | 100 | 125        | $\mu s$ |
|   |   | $f = 2800$ Hz– $3000$ Hz  |           | 145 | 175        | $\mu s$ |
| <b>NOISE</b>                                    |   |   |           |     |            |         |
| $N_{XC}$  | Transmit Noise, C Message Weighted        | TP3054  |           | 12  | <b>15</b>  | dBrnC0  |
| $N_{XP}$  | Transmit Noise, P Message Weighted        | TP3057  |           | –74 | <b>–67</b> | dBm0p   |
| $N_{RC}$  | Receive Noise, C Message Weighted         | PCM Code is Alternating Positive and Negative Zero — TP3054   |           | 8   | <b>11</b>  | dBrnC0  |
| $N_{RP}$  | Receive Noise, P Message Weighted         | PCM Code Equals Positive Zero — TP3057  |           | –82 | <b>–79</b> | dBm0p   |
| $N_{RS}$  | Noise, Single Frequency                   | $f = 0$ kHz to $100$ kHz, Loop Around Measurement, $V_{FXI}^+ = 0$ Vrms   |           |     | –53        | dBm0    |
| $PPSR_X$  | Positive Power Supply Rejection, Transmit | $V_{FXI}^+ = -50$ dBm0<br>$V_{CC} = 5.0 V_{DC} + 100$ mVrms<br>$f = 0$ kHz– $50$ kHz (Note 2)                     | <b>40</b> |     |            | dB      |
| $NPSR_X$  | Negative Power Supply Rejection, Transmit | $V_{FXI}^+ = -50$ dBm0<br>$V_{BB} = -5.0 V_{DC} + 100$ mVrms<br>$f = 0$ kHz– $50$ kHz (Note 2)                    | <b>40</b> |     |            | dB      |
| $PPSR_R$  | Positive Power Supply Rejection, Receive  | PCM Code Equals Positive Zero<br>$V_{CC} = 5.0 V_{DC} + 100$ mVrms<br>Measure $V_{FR0}$<br>$f = 0$ Hz– $4000$ Hz  | <b>40</b> |     |            | dB      |
|   |   | $f = 4$ kHz– $25$ kHz   | <b>40</b> |     |            | dB      |
|   |   | $f = 25$ kHz– $50$ kHz  | <b>36</b> |     |            | dB      |
| $NPSR_R$  | Negative Power Supply Rejection, Receive  | PCM Code Equals Positive Zero<br>$V_{BB} = -5.0 V_{DC} + 100$ mVrms<br>Measure $V_{FR0}$<br>$f = 0$ Hz– $4000$ Hz | <b>40</b> |     |            | dB      |
|   |   | $f = 4$ kHz– $25$ kHz   | <b>40</b> |     |            | dB      |
|   |   | $f = 25$ kHz– $50$ kHz  | <b>36</b> |     |            | dB      |

**Transmission Characteristics** (Continued) Unless otherwise noted, limits printed in **BOLD** characters are guaranteed for  $V_{CC} = 5.0V \pm 5\%$ ,  $V_{BB} = -5.0V \pm 5\%$ ;  $T_A = 0^\circ C$  to  $70^\circ C$  by correlation with 100% electrical testing at  $T_A = 25^\circ C$ . All other limits are assured by correlation with other production tests and/or product design and characterization.  $G_{NDA} = 0V$ ,  $f = 1.02$  kHz,  $V_{IN} = 0$  dBm0, transmit input amplifier connected for unity gain non-inverting. Typical values specified at  $V_{CC} = 5.0V$ ,  $V_{BB} = -5.0V$ ,  $T_A = 25^\circ C$ .

| Symbol | Parameter  | Conditions   | Min | Typ | Max | Units |
|--------|--|--|-----|-----|-----|-------|
| SOS    | Spurious Out-of-Band Signals at the Channel Output | Loop Around Measurement, 0 dBm0, 300 Hz to 3400 Hz Input PCM Code Applied at $D_R$ . |     |     | -30 | dB    |
|        |  | 4600 Hz-7600 Hz  |     |     | -30 | dB    |
|        |  | 7600 Hz-8400 Hz  |     |     | -40 | dB    |
|        |  | 8400 Hz-100,000 Hz   |     |     | -30 | dB    |

**DISTORTION**

|                                      |   |   |  |  |            |  |
|--------------------------------------|---|---|--|--|------------|--|
| STD <sub>X</sub><br>STD <sub>R</sub> | Signal to Total Distortion Transmit or Receive Half-Channel | Sinusoidal Test Method (Note 3)<br>Level = 3.0 dBm0<br>= 0 dBm0 to -30 dBm0<br>= -40 dBm0 XMT<br>RCV<br>= -55 dBm0 XMT<br>RCV | <b>33</b><br><b>36</b><br><b>29</b><br><b>30</b><br><b>14</b><br><b>15</b> |  |            | dBC<br>dBC<br>dBC<br>dBC<br>dBC<br>dBC |
| SFD <sub>X</sub>                     | Single Frequency Distortion, Transmit                       |   |  |  | <b>-46</b> | dB                                     |
| SFD <sub>R</sub>                     | Single Frequency Distortion, Receive                        |   |  |  | <b>-46</b> | dB                                     |
| IMD                                  | Intermodulation Distortion                                  | Loop Around Measurement, $V_{F_X^+} = -4$ dBm0 to $-21$ dBm0, Two Frequencies in the Range 300 Hz-3400 Hz                     |  |  | <b>-41</b> | dB                                     |

**CROSSTALK**

|                   |  |  |  |  |     |            |    |
|-------------------|--|--|--|--|-----|------------|----|
| CT <sub>X-R</sub> | Transmit to Receive Crosstalk, 0 dBm0 Transmit Level | $f = 300$ Hz-3400 Hz<br>$D_R =$ Quiet PCM Code         |  |  | -90 | <b>-75</b> | dB |
| CT <sub>R-X</sub> | Receive to Transmit Crosstalk, 0 dBm0 Receive Level  | $f = 300$ Hz-3400 Hz, $V_{F_X^+} =$ Multitone (Note 2) |  |  | -90 | <b>-70</b> | dB |

**ENCODING FORMAT AT  $D_X$  OUTPUT**

|                                      | TP3054<br>$\mu$ -Law   | TP3057<br>A-Law<br>(Includes Even Bit Inversion)   |
|--------------------------------------|--|--|
| $V_{IN}$ (at $GS_X$ ) = + Full-Scale | 1 0 0 0 0 0 0 0 0  | 1 0 1 0 1 0 1 0  |
| $V_{IN}$ (at $GS_X$ ) = 0V           | $\begin{cases} 1 & 1 & 1 & 1 & 1 & 1 & 1 & 1 \\ 0 & 1 & 1 & 1 & 1 & 1 & 1 & 1 \end{cases}$ | $\begin{cases} 1 & 1 & 0 & 1 & 0 & 1 & 0 & 1 \\ 0 & 1 & 0 & 1 & 0 & 1 & 0 & 1 \end{cases}$ |
| $V_{IN}$ (at $GS_X$ ) = - Full-Scale | 0 0 0 0 0 0 0 0  | 0 0 1 0 1 0 1 0  |

**Note 1:** Measured by extrapolation from the distortion test result at -50 dBm0.

**Note 2:** PPSR<sub>X</sub>, NPSR<sub>X</sub>, and CT<sub>R-X</sub> are measured with a -50 dBm0 activation signal applied to  $V_{F_X^+}$ .

**Note 3:** Devices are measured using C message weighted filter for  $\mu$ -Law and psophometric weighted filter for A-Law.

## Applications Information

### POWER SUPPLIES

While the pins of the TP305X family are well protected against electrical misuse, it is recommended that the standard CMOS practice be followed, ensuring that ground is connected to the device before any other connections are made. In applications where the printed circuit board may be plugged into a "hot" socket with power and clocks already present, an extra long ground pin in the connector should be used.

All ground connections to each device should meet at a common point as close as possible to the GNDA pin. This minimizes the interaction of ground return currents flowing through a common bus impedance. 0.1  $\mu$ F supply decoupling capacitors should be connected from this common ground point to  $V_{CC}$  and  $V_{BB}$ , as close to the device as possible.

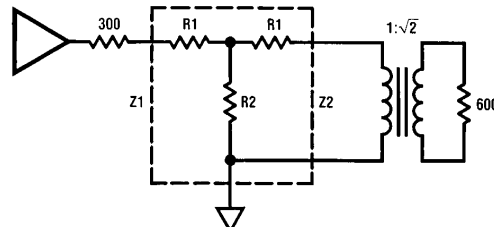
For best performance, the ground point of each CODEC/FILTER on a card should be connected to a common card ground in star formation, rather than via a ground bus.

This common ground point should be decoupled to  $V_{CC}$  and  $V_{BB}$  with 10  $\mu$ F capacitors.

### RECEIVE GAIN ADJUSTMENT

For applications where a TP305X family CODEC/filter receive output must drive a 600 $\Omega$  load, but a peak swing lower than  $\pm 2.5V$  is required, the receive gain can be easily adjusted by inserting a matched T-pad or  $\pi$ -pad at the output. Table II lists the required resistor values for 600 $\Omega$  terminations. As these are generally non-standard values, the equations can be used to compute the attenuation of the closest practical set of resistors. It may be necessary to use unequal values for the R1 or R4 arms of the attenuators to achieve a precise attenuation. Generally it is tolerable to allow a small deviation of the input impedance from nominal while still maintaining a good return loss. For example a 30 dB return loss against 600 $\Omega$  is obtained if the output impedance of the attenuator is in the range 282 $\Omega$  to 319 $\Omega$  (assuming a perfect transformer).

T-Pad Attenuator



$$R1 = Z1 \left( \frac{N^2 + 1}{N^2 - 1} \right) - 2\sqrt{Z1 \cdot Z2} \left( \frac{N}{N^2 - 1} \right)$$

$$R2 = 2\sqrt{Z1 \cdot Z2} \left( \frac{N}{N^2 - 1} \right)$$

$$\text{Where: } N = \sqrt{\frac{\text{POWER IN}}{\text{POWER OUT}}}$$

and

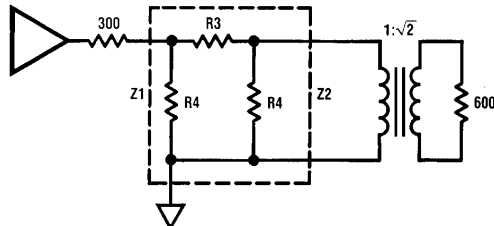
$$S = \sqrt{\frac{Z1}{Z2}}$$

$$\text{Also: } Z = \sqrt{Z_{SC} \cdot Z_{OC}}$$

Where  $Z_{SC}$  = impedance with short circuit termination

and  $Z_{OC}$  = impedance with open circuit termination

$\pi$ -Pad Attenuator



$$R3 = \sqrt{\frac{Z1 \cdot Z2}{2} \left( \frac{N^2 - 1}{N} \right)}$$

$$R3 = Z1 \left( \frac{N^2 - 1}{N^2 - 2NS + 1} \right)$$

TL/H/5510-5

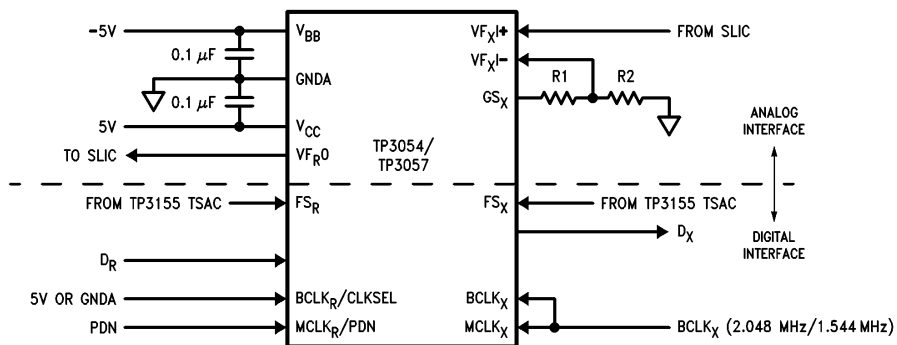
Note: See Application Note 370 for further details.

## Applications Information (Continued)

**TABLE II. Attenuator Tables for Z1 = Z2 = 300Ω**  
(All Values in Ω)

| dB  | R1   | R2   | R3    | R4    |
|-----|------|------|-------|-------|
| 0.1 | 1.7  | 26k  | 3.5   | 52k   |
| 0.2 | 3.5  | 13k  | 6.9   | 26k   |
| 0.3 | 5.2  | 8.7k | 10.4  | 17.4k |
| 0.4 | 6.9  | 6.5k | 13.8  | 13k   |
| 0.5 | 8.5  | 5.2k | 17.3  | 10.5k |
| 0.6 | 10.4 | 4.4k | 21.3  | 8.7k  |
| 0.7 | 12.1 | 3.7k | 24.2  | 7.5k  |
| 0.8 | 13.8 | 3.3k | 27.7  | 6.5k  |
| 0.9 | 15.5 | 2.9k | 31.1  | 5.8k  |
| 1.0 | 17.3 | 2.6l | 34.6  | 5.2k  |
| 2   | 34.4 | 1.3k | 70    | 2.6k  |
| 3   | 51.3 | 850  | 107   | 1.8k  |
| 4   | 68   | 650  | 144   | 1.3k  |
| 5   | 84   | 494  | 183   | 1.1k  |
| 6   | 100  | 402  | 224   | 900   |
| 7   | 115  | 380  | 269   | 785   |
| 8   | 379  | 284  | 317   | 698   |
| 9   | 143  | 244  | 370   | 630   |
| 10  | 156  | 211  | 427   | 527   |
| 11  | 168  | 184  | 490   | 535   |
| 12  | 180  | 161  | 550   | 500   |
| 13  | 190  | 142  | 635   | 473   |
| 14  | 200  | 125  | 720   | 450   |
| 15  | 210  | 110  | 816   | 430   |
| 16  | 218  | 98   | 924   | 413   |
| 18  | 233  | 77   | 1.17k | 386   |
| 20  | 246  | 61   | 1.5k  | 366   |

## Typical Synchronous Application

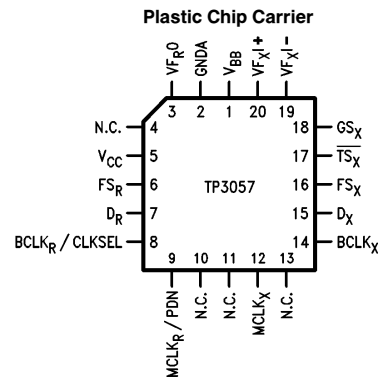


TL/H/5510-6

Note 1: XMIT gain =  $20 \times \log \left( \frac{R1 + R2}{R2} \right)$  where  $(R1 + R2) > 10 \text{ K}\Omega$ .

**FIGURE 4**

**Connection Diagrams** (Continued)

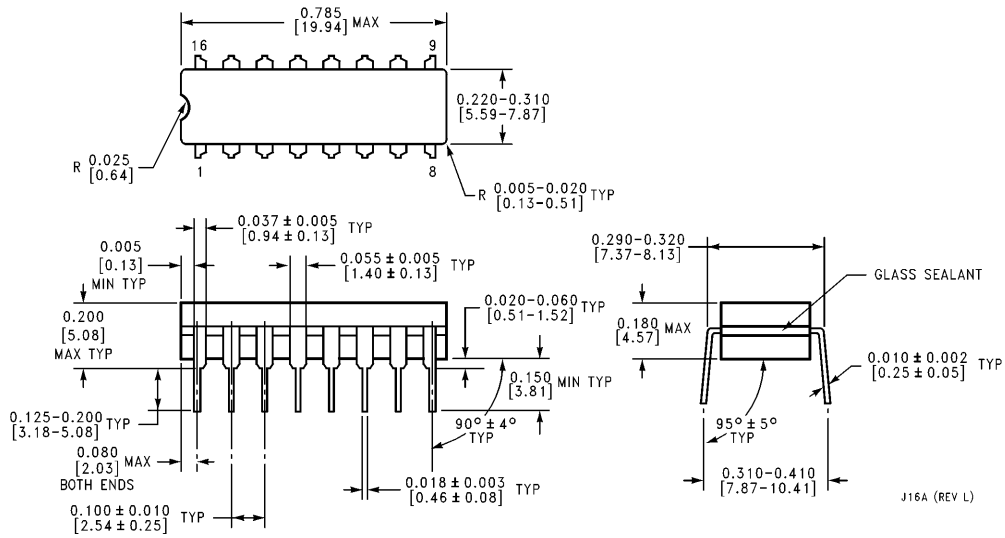


TL/H/5510-7

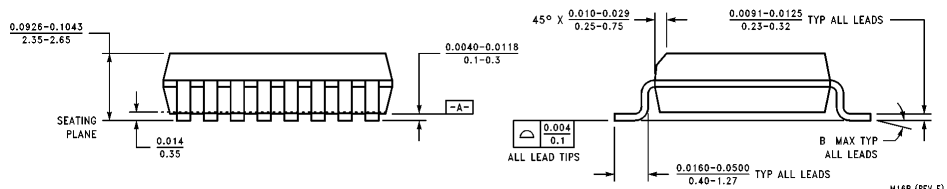
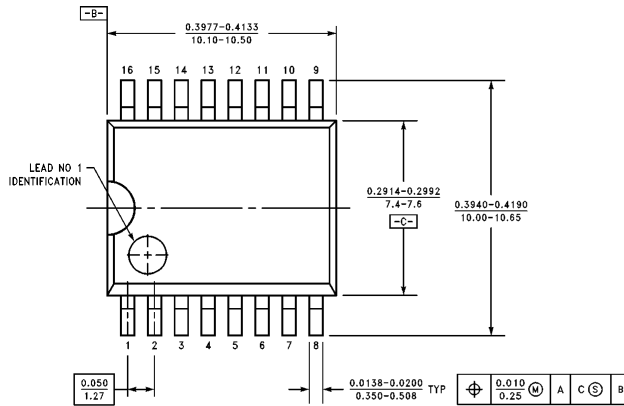
**Top View**

**Order Number TP3057V**  
**See NS Package Number V20A**

**Physical Dimensions** inches (millimeters)

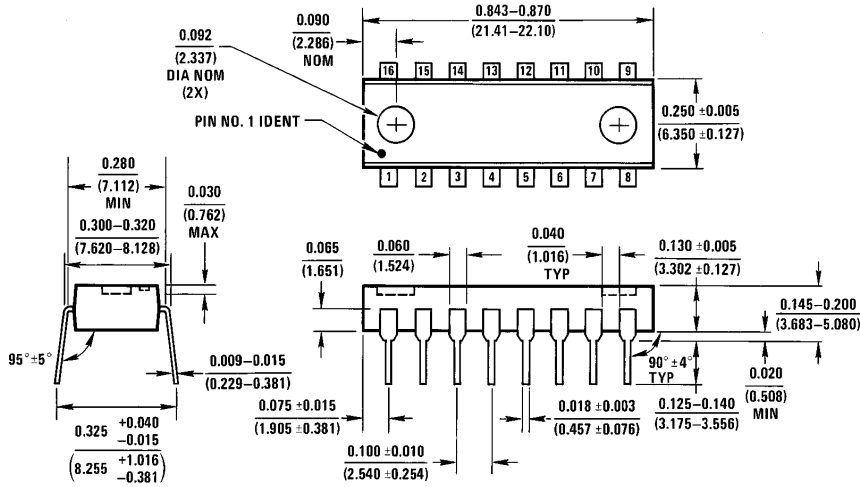


**Cavity Dual-In-Line Package (J)**  
**Order Number TP3054J or TP3057J**  
**NS Package Number J16A**



**Molded Small Outline Package (WM)**  
**Order Number TP3054WM or TP3057WM**  
**NS Package Number M16B**

**Physical Dimensions** inches (millimeters) (Continued)



**Molded Dual-In-Line Package (N)**  
**Order Number TP3054N or TP3057N**  
**NS Package Number N16A**

N16A (REV E)

**LIFE SUPPORT POLICY**

NATIONAL'S PRODUCTS ARE NOT AUTHORIZED FOR USE AS CRITICAL COMPONENTS IN LIFE SUPPORT DEVICES OR SYSTEMS WITHOUT THE EXPRESS WRITTEN APPROVAL OF THE PRESIDENT OF NATIONAL SEMICONDUCTOR CORPORATION. As used herein:

1. Life support devices or systems are devices or systems which, (a) are intended for surgical implant into the body, or (b) support or sustain life, and whose failure to perform, when properly used in accordance with instructions for use provided in the labeling, can be reasonably expected to result in a significant injury to the user.
2. A critical component is any component of a life support device or system whose failure to perform can be reasonably expected to cause the failure of the life support device or system, or to affect its safety or effectiveness.



**National Semiconductor Corporation**  
 1111 West Bardin Road  
 Arlington, TX 76017  
 Tel: 1(800) 272-9959  
 Fax: 1(800) 737-7018

**National Semiconductor Europe**  
 Fax: (+49) 0-180-530 85 86  
 Email: cnjwge@tevm2.nsc.com  
 Deutsch Tel: (+49) 0-180-530 85 85  
 English Tel: (+49) 0-180-532 78 32  
 Français Tel: (+49) 0-180-532 93 58  
 Italiano Tel: (+49) 0-180-534 16 80

**National Semiconductor Hong Kong Ltd.**  
 19th Floor, Straight Block,  
 Ocean Centre, 5 Canton Rd.  
 Tsimshatsui, Kowloon  
 Hong Kong  
 Tel: (852) 2737-1600  
 Fax: (852) 2736-9960

**National Semiconductor Japan Ltd.**  
 Tel: 81-043-299-2309  
 Fax: 81-043-299-2408

National does not assume any responsibility for use of any circuitry described, no circuit patent licenses are implied and National reserves the right at any time without notice to change said circuitry and specifications.

## IMPORTANT NOTICE

Texas Instruments Incorporated and its subsidiaries (TI) reserve the right to make corrections, modifications, enhancements, improvements, and other changes to its products and services at any time and to discontinue any product or service without notice. Customers should obtain the latest relevant information before placing orders and should verify that such information is current and complete. All products are sold subject to TI's terms and conditions of sale supplied at the time of order acknowledgment.

TI warrants performance of its hardware products to the specifications applicable at the time of sale in accordance with TI's standard warranty. Testing and other quality control techniques are used to the extent TI deems necessary to support this warranty. Except where mandated by government requirements, testing of all parameters of each product is not necessarily performed.

TI assumes no liability for applications assistance or customer product design. Customers are responsible for their products and applications using TI components. To minimize the risks associated with customer products and applications, customers should provide adequate design and operating safeguards.

TI does not warrant or represent that any license, either express or implied, is granted under any TI patent right, copyright, mask work right, or other TI intellectual property right relating to any combination, machine, or process in which TI products or services are used. Information published by TI regarding third-party products or services does not constitute a license from TI to use such products or services or a warranty or endorsement thereof. Use of such information may require a license from a third party under the patents or other intellectual property of the third party, or a license from TI under the patents or other intellectual property of TI.

Reproduction of TI information in TI data books or data sheets is permissible only if reproduction is without alteration and is accompanied by all associated warranties, conditions, limitations, and notices. Reproduction of this information with alteration is an unfair and deceptive business practice. TI is not responsible or liable for such altered documentation. Information of third parties may be subject to additional restrictions.

Resale of TI products or services with statements different from or beyond the parameters stated by TI for that product or service voids all express and any implied warranties for the associated TI product or service and is an unfair and deceptive business practice. TI is not responsible or liable for any such statements.

TI products are not authorized for use in safety-critical applications (such as life support) where a failure of the TI product would reasonably be expected to cause severe personal injury or death, unless officers of the parties have executed an agreement specifically governing such use. Buyers represent that they have all necessary expertise in the safety and regulatory ramifications of their applications, and acknowledge and agree that they are solely responsible for all legal, regulatory and safety-related requirements concerning their products and any use of TI products in such safety-critical applications, notwithstanding any applications-related information or support that may be provided by TI. Further, Buyers must fully indemnify TI and its representatives against any damages arising out of the use of TI products in such safety-critical applications.

TI products are neither designed nor intended for use in military/aerospace applications or environments unless the TI products are specifically designated by TI as military-grade or "enhanced plastic." Only products designated by TI as military-grade meet military specifications. Buyers acknowledge and agree that any such use of TI products which TI has not designated as military-grade is solely at the Buyer's risk, and that they are solely responsible for compliance with all legal and regulatory requirements in connection with such use.

TI products are neither designed nor intended for use in automotive applications or environments unless the specific TI products are designated by TI as compliant with ISO/TS 16949 requirements. Buyers acknowledge and agree that, if they use any non-designated products in automotive applications, TI will not be responsible for any failure to meet such requirements.

Following are URLs where you can obtain information on other Texas Instruments products and application solutions:

### Products

|                        |  |
|------------------------|--|
| Audio                  | <a href="http://www.ti.com/audio">www.ti.com/audio</a>                               |
| Amplifiers             | <a href="http://amplifier.ti.com">amplifier.ti.com</a>                               |
| Data Converters        | <a href="http://dataconverter.ti.com">dataconverter.ti.com</a>                       |
| DLP® Products          | <a href="http://www.dlp.com">www.dlp.com</a>   |
| DSP                    | <a href="http://dsp.ti.com">dsp.ti.com</a>   |
| Clocks and Timers      | <a href="http://www.ti.com/clocks">www.ti.com/clocks</a>                             |
| Interface              | <a href="http://interface.ti.com">interface.ti.com</a>                               |
| Logic                  | <a href="http://logic.ti.com">logic.ti.com</a>                                       |
| Power Mgmt             | <a href="http://power.ti.com">power.ti.com</a>                                       |
| Microcontrollers       | <a href="http://microcontroller.ti.com">microcontroller.ti.com</a>                   |
| RFID                   | <a href="http://www.ti-rfid.com">www.ti-rfid.com</a>                                 |
| OMAP Mobile Processors | <a href="http://www.ti.com/omap">www.ti.com/omap</a>                                 |
| Wireless Connectivity  | <a href="http://www.ti.com/wirelessconnectivity">www.ti.com/wirelessconnectivity</a> |

### Applications

|                               |  |
|-------------------------------|--|
| Communications and Telecom    | <a href="http://www.ti.com/communications">www.ti.com/communications</a>                 |
| Computers and Peripherals     | <a href="http://www.ti.com/computers">www.ti.com/computers</a>                           |
| Consumer Electronics          | <a href="http://www.ti.com/consumer-apps">www.ti.com/consumer-apps</a>                   |
| Energy and Lighting           | <a href="http://www.ti.com/energy">www.ti.com/energy</a>                                 |
| Industrial                    | <a href="http://www.ti.com/industrial">www.ti.com/industrial</a>                         |
| Medical                       | <a href="http://www.ti.com/medical">www.ti.com/medical</a>                               |
| Security                      | <a href="http://www.ti.com/security">www.ti.com/security</a>                             |
| Space, Avionics and Defense   | <a href="http://www.ti.com/space-avionics-defense">www.ti.com/space-avionics-defense</a> |
| Transportation and Automotive | <a href="http://www.ti.com/automotive">www.ti.com/automotive</a>                         |
| Video and Imaging             | <a href="http://www.ti.com/video">www.ti.com/video</a>                                   |

TI E2E Community Home Page

[e2e.ti.com](http://e2e.ti.com)

Mailing Address: Texas Instruments, Post Office Box 655303, Dallas, Texas 75265  
Copyright © 2011, Texas Instruments Incorporated

## Looking for pricing, stock, or lifecycle information?

Click below to explore more details on WIN SOURCE:

 [View TP3057WMX/NOPB on WIN SOURCE](#)

 [Texas Instruments](#) Information

## Optimize Your Supply Chain with WIN SOURCE Solutions

-  Global Sourcing Solution
-  Obsolete Management
-  Cost Control Management
-  Shortage Management
-  Alternative Solution
-  Excess Inventory Management