



**THE DATASHEET OF
TLV5616IDR**



TLV5616C, TLV5616I

2.7-V TO 5.5-V LOW POWER 12-BIT DIGITAL-TO-ANALOG CONVERTERS WITH POWER DOWN

SLAS152D – DECEMBER 1997 – REVISED APRIL 2004

- 12-Bit Voltage Output DAC
- Programmable Settling Time vs Power Consumption
 - 3 μ s in Fast Mode
 - 9 μ s in Slow Mode
- Ultra Low Power Consumption:
 - 900 μ W Typ in Slow Mode at 3 V
 - 2.1 mW Typ in Fast Mode at 3 V
- Differential Nonlinearity . . . <0.5 LSB Typ
- Compatible With TMS320 and SPI Serial Ports
- Power-Down Mode (10 nA)
- Buffered High-Impedance Reference Input
- Voltage Output Range . . . 2 Times the Reference Input Voltage
- Monotonic Over Temperature
- Available in MSOP Package

applications

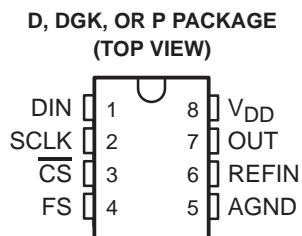
- Digital Servo Control Loops
- Digital Offset and Gain Adjustment
- Industrial Process Control
- Machine and Motion Control Devices
- Mass Storage Devices

description

The TLV5616 is a 12-bit voltage output digital-to-analog converter (DAC) with a flexible 4-wire serial interface. The 4-wire serial interface allows glueless interface to TMS320, SPI, QSPI, and Microwire serial ports. The TLV5616 is programmed with a 16-bit serial string containing 4 control and 12 data bits. Developed for a wide range of supply voltages, the TLV5616 can operate from 2.7 V to 5.5 V.

The resistor string output voltage is buffered by a x2 gain rail-to-rail output buffer. The buffer features a Class AB output stage to improve stability and reduce settling time. The settling time of the DAC is programmable to allow the designer to optimize speed versus power dissipation. The settling time is chosen by the control bits within the 16-bit serial input string. A high-impedance buffer is integrated on the REFIN terminal to reduce the need for a low source impedance drive to the terminal.

Implemented with a CMOS process, the TLV5616 is designed for single supply operation from 2.7 V to 5.5 V. The device is available in an 8-terminal SOIC package. The TLV5616C is characterized for operation from 0°C to 70°C. The TLV5616I is characterized for operation from –40°C to 85°C.



AVAILABLE OPTIONS

T _A	PACKAGE		
	SMALL OUTLINE† (D)	MSOP (DGK)	PLASTIC DIP (P)
0°C to 70°C	TLV5616CD	TLV5616CDGK	TLV5616CP
–40°C to 85°C	TLV5616ID	TLV5616IDGK	TLV5616IP

† Available in tape and reel as the TLV5616CDR and the TLV5616IDR



Please be aware that an important notice concerning availability, standard warranty, and use in critical applications of Texas Instruments semiconductor products and disclaimers thereto appears at the end of this data sheet.

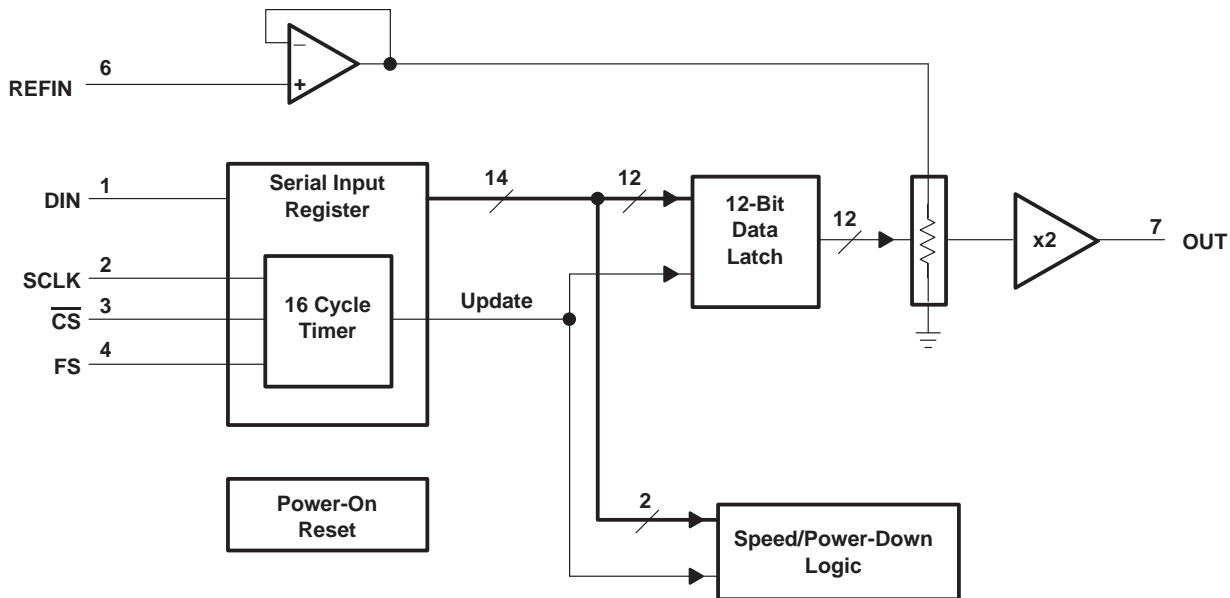
PRODUCTION DATA information is current as of publication date. Products conform to specifications per the terms of Texas Instruments standard warranty. Production processing does not necessarily include testing of all parameters.

TLV5616C, TLV5616I

2.7-V TO 5.5-V LOW POWER 12-BIT DIGITAL-TO-ANALOG CONVERTERS WITH POWER DOWN

SLAS152D – DECEMBER 1997 – REVISED APRIL 2004

functional block diagram



Terminal Functions

TERMINAL NAME	NO.	I/O	DESCRIPTION
AGND	5		Analog ground
\overline{CS}	3	I	Chip select. Digital input used to enable and disable inputs, active low.
DIN	1	I	Serial digital data input
FS	4	I	Frame sync. Digital input used for 4-wire serial interfaces such as the TMS320 DSP interface.
OUT	7	O	DAC analog output
REFIN	6	I	Reference analog input voltage
SCLK	2	I	Serial digital clock input
V _{DD}	8		Positive power supply

TLV5616C, TLV5616I
2.7-V TO 5.5-V LOW POWER 12-BIT DIGITAL-TO-ANALOG
CONVERTERS WITH POWER DOWN

SLAS152D – DECEMBER 1997 – REVISED APRIL 2004

absolute maximum ratings over operating free-air temperature range (unless otherwise noted)†

Supply voltage (V_{DD} to AGND)	7 V
Reference input voltage range	- 0.3 V to $V_{DD} + 0.3$ V
Digital input voltage range	- 0.3 V to $V_{DD} + 0.3$ V
Operating free-air temperature range, T_A : TLV5616C	0°C to 70°C
TLV5616I	-40°C to 85°C
Storage temperature range, T_{stg}	-65°C to 150°C
Lead temperature 1,6 mm (1/16 inch) from case for 10 seconds	260°C

† Stresses beyond those listed under “absolute maximum ratings” may cause permanent damage to the device. These are stress ratings only, and functional operation of the device at these or any other conditions beyond those indicated under “recommended operating conditions” is not implied. Exposure to absolute-maximum-rated conditions for extended periods may affect device reliability.

recommended operating conditions

		MIN	NOM	MAX	UNIT
Supply voltage, V_{DD}	$V_{DD} = 5$ V	4.5	5	5.5	V
	$V_{DD} = 3$ V	2.7	3	3.3	V
High-level digital input voltage, V_{IH}	$DV_{DD} = 2.7$ V	2			V
	$DV_{DD} = 5.5$ V	2.4			V
Low-level digital input voltage, V_{IL}	$DV_{DD} = 2.7$ V			0.6	V
	$DV_{DD} = 5.5$ V			1	V
Reference voltage, V_{ref} to REFIN terminal	$V_{DD} = 5$ V (see Note 1)	AGND	2.048	$V_{DD} - 1.5$	V
Reference voltage, V_{ref} to REFIN terminal	$V_{DD} = 3$ V (see Note 1)	AGND	1.024	$V_{DD} - 1.5$	V
Load resistance, R_L		2	10		k Ω
Load capacitance, C_L				100	pF
Clock frequency, f_{CLK}				20	MHz
Operating free-air temperature, T_A	TLV5616C	0		70	°C
	TLV5616I	-40		85	°C

NOTE 1: Due to the x2 output buffer, a reference input voltage $\geq V_{DD}/2$ causes clipping of the transfer function.

electrical characteristics over recommended operating free-air temperature range (unless otherwise noted)

power supply

PARAMETER		TEST CONDITIONS		MIN	TYP	MAX	UNIT
I_{DD}	Power supply current	$V_{DD} = 5$ V, $V_{REF} = 2.048$ V, No load, All inputs = AGND or V_{DD} , DAC latch = 0x800	Fast		0.9	1.35	mA
			Slow		0.4	0.6	mA
		$V_{DD} = 3$ V, $V_{REF} = 1.024$ V, No load, All inputs = AGND or V_{DD} , DAC latch = 0x800	Fast		0.7	1.1	mA
			Slow		0.3	0.45	mA
Power down supply current (see Figure 12)					10		nA
PSRR	Power supply rejection ratio	Zero scale	See Note 2		-80		dB
		Full scale	See Note 3		-80		
Power on threshold voltage, POR					2		V

- NOTES: 2. Power supply rejection ratio at zero scale is measured by varying V_{DD} and is given by:
 $PSRR = 20 \log [(E_{ZS}(V_{DDmax}) - E_{ZS}(V_{DDmin})) / V_{DDmax}]$
3. Power supply rejection ratio at full scale is measured by varying V_{DD} and is given by:
 $PSRR = 20 \log [(E_G(V_{DDmax}) - E_G(V_{DDmin})) / V_{DDmax}]$

TLV5616C, TLV5616I

2.7-V TO 5.5-V LOW POWER 12-BIT DIGITAL-TO-ANALOG CONVERTERS WITH POWER DOWN

SLAS152D – DECEMBER 1997 – REVISED APRIL 2004

electrical characteristics over recommended operating free-air temperature range (unless otherwise noted) (continued)

static DAC specifications $R_L = 10\text{ k}\Omega$, $C_L = 100\text{ pF}$

PARAMETER		TEST CONDITIONS	MIN	TYP	MAX	UNIT
Resolution				12	12	bits
INL	Integral nonlinearity	See Note 4		± 1.9	± 4	LSB
DNL	Differential nonlinearity	See Note 5		± 0.5	± 1	LSB
E _{ZS}	Zero-scale error (offset error at zero scale)	See Note 6			± 10	mV
Zero-scale-error temperature coefficient		See Note 7		10		ppm/°C
E _G	Gain error	See Note 8			± 0.6	% of FS voltage
Gain-error temperature coefficient		See Note 9		10		ppm/°C

- NOTES: 4. The relative accuracy or integral nonlinearity (INL) sometimes referred to as linearity error, is the maximum deviation of the output from the line between zero and full scale excluding the effects of zero code and full-scale errors. Tested from code 10 to code 4095.
5. The differential nonlinearity (DNL) sometimes referred to as differential error, is the difference between the measured and ideal 1 LSB amplitude change of any two adjacent codes. Monotonic means the output voltage changes in the same direction (or remains constant) as a change in the digital input code. Tested from code 10 to code 4095.
6. Zero-scale error is the deviation from zero voltage output when the digital input code is zero.
7. Zero-scale-error temperature coefficient is given by: $E_{ZS\ TC} = [E_{ZS}(T_{max}) - E_{ZS}(T_{min})]/V_{ref} \times 10^6/(T_{max} - T_{min})$.
8. Gain error is the deviation from the ideal output ($2V_{ref} - 1\text{ LSB}$) with an output load of $10\text{ k}\Omega$ excluding the effects of the zero-error.
9. Gain temperature coefficient is given by: $E_{G\ TC} = [E_G(T_{max}) - E_G(T_{min})]/V_{ref} \times 10^6/(T_{max} - T_{min})$.

output specifications

PARAMETER		TEST CONDITIONS	MIN	TYP	MAX	UNIT
V _O	Voltage output range	$R_L = 10\text{ k}\Omega$	0		$AV_{DD}-0.1$	V
Output load regulation accuracy		$R_L = 2\text{ k}\Omega$, vs $10\text{ k}\Omega$		0.1	± 0.25	% of FS voltage

reference input (REF)

PARAMETER		TEST CONDITIONS	MIN	TYP	MAX	UNIT
V _I	Input voltage range		0		$V_{DD}-1.5$	V
R _I	Input resistance			10		M Ω
C _I	Input capacitance			5		pF
Reference input bandwidth		REFIN = $0.2 V_{pp} + 1.024\text{ V dc}$	Slow		525	kHz
			Fast		1.3	MHz
Reference feed through		REFIN = $1 V_{pp}$ at $1\text{ kHz} + 1.024\text{ V dc}$ (see Note 10)		-75		dB

NOTE 10: Reference feedthrough is measured at the DAC output with an input code = 0x000.

digital inputs

PARAMETER		TEST CONDITIONS	MIN	TYP	MAX	UNIT
I _{IH}	High-level digital input current	$V_I = V_{DD}$			± 1	μA
I _{IL}	Low-level digital input current	$V_I = 0\text{ V}$			± 1	μA
C _I	Input capacitance			3		pF

TLV5616C, TLV5616I
2.7-V TO 5.5-V LOW POWER 12-BIT DIGITAL-TO-ANALOG
CONVERTERS WITH POWER DOWN

SLAS152D – DECEMBER 1997 – REVISED APRIL 2004

operating characteristics over recommended operating free-air temperature range (unless otherwise noted)

analog output dynamic performance

PARAMETER		TEST CONDITIONS		MIN	TYP	MAX	UNIT
t _s (FS)	Output settling time, full scale	R _L = 10 kΩ, See Note 11	C _L = 100 pF,	Fast	3	5.5	μs
				Slow	9	20	
t _s (CC)	Output settling time, code to code	R _L = 10 kΩ, See Note 12	C _L = 100 pF,	Fast	1		μs
				Slow	2		μs
SR	Slew rate	R _L = 10 kΩ, See Note 13	C _L = 100 pF,	Fast	3.6		V/μs
				Slow	0.9		
Glitch energy		Code transition from 0x7FF to 0x800			10		nV-s
S/N	Signal to noise				74		dB
S/(N+D)	Signal to noise + distortion	f _s = 400 KSPS f _{out} = 1.1 kHz,			66		dB
THD	Total harmonic distortion	R _L = 10 kΩ,	C _L = 100 pF,		-68		dB
Spurious free dynamic range		BW = 20 kHz			70		dB

- NOTES: 11. Settling time is the time for the output signal to remain within ±0.5 LSB of the final measured value for a digital input code change of 0x080 to 0x3FF or 0x3FF to 0x080. Not tested, ensured by design.
12. Settling time is the time for the output signal to remain within ± 0.5 LSB of the final measured value for a digital input code change of one count. Code change from 0x1FF to 0x200. Not tested, ensured by design.
13. Slew rate determines the time it takes for a change of the DAC output from 10% to 90% full-scale voltage.

digital input timing requirements

		MIN	NOM	MAX	UNIT
t _{su} (CS-FS)	Setup time, $\overline{\text{CS}}$ low before FS↓	10			ns
t _{su} (FS-CK)	Setup time, FS low before first negative SCLK edge	8			ns
t _{su} (C16-FS)	Setup time, sixteenth negative edge after FS low on which bit D0 is sampled before rising edge of FS	10			ns
t _{su} (C16-CS)	Setup time, sixteenth positive SCLK edge (first positive after D0 is sampled) before $\overline{\text{CS}}$ rising edge. If FS is used instead of the sixteenth positive edge to update the DAC, then the setup time is between the FS rising edge and CS rising edge.	10			ns
t _{WH}	Pulse duration, SCLK high	25			ns
t _{WL}	Pulse duration, SCLK low	25			ns
t _{su} (D)	Setup time, data ready before SCLK falling edge	8			ns
t _h (D)	Hold time, data held valid after SCLK falling edge	5			ns
t _{WH} (FS)	Pulse duration, FS high	20			ns

TLV5616C, TLV5616I
2.7-V TO 5.5-V LOW POWER 12-BIT DIGITAL-TO-ANALOG
CONVERTERS WITH POWER DOWN

SLAS152D – DECEMBER 1997 – REVISED APRIL 2004

PARAMETER MEASUREMENT INFORMATION

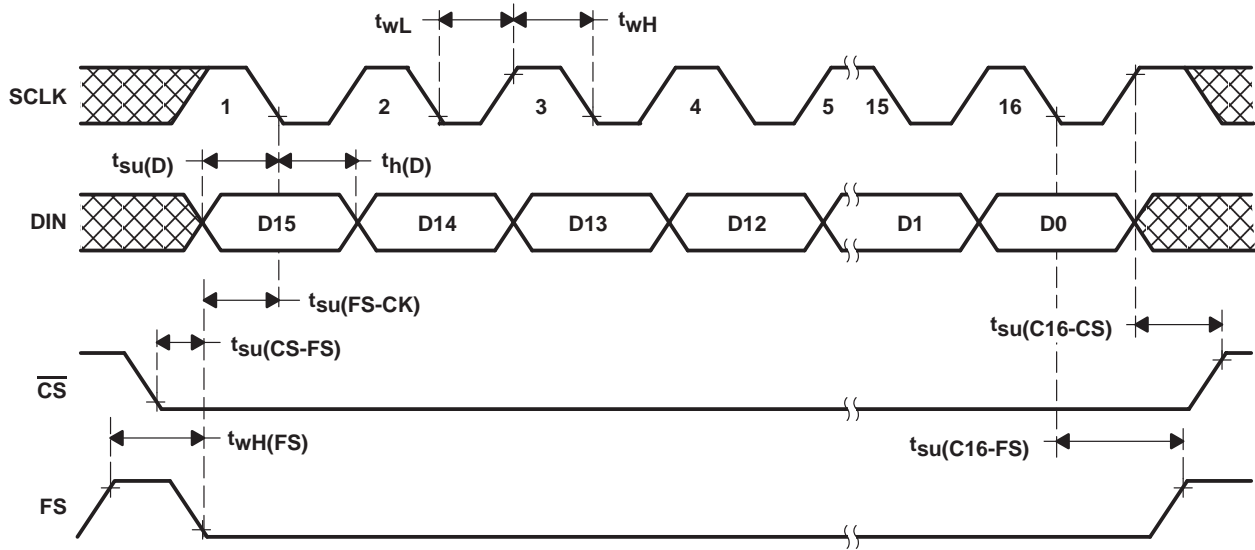


Figure 1. Timing Diagram

TYPICAL CHARACTERISTICS

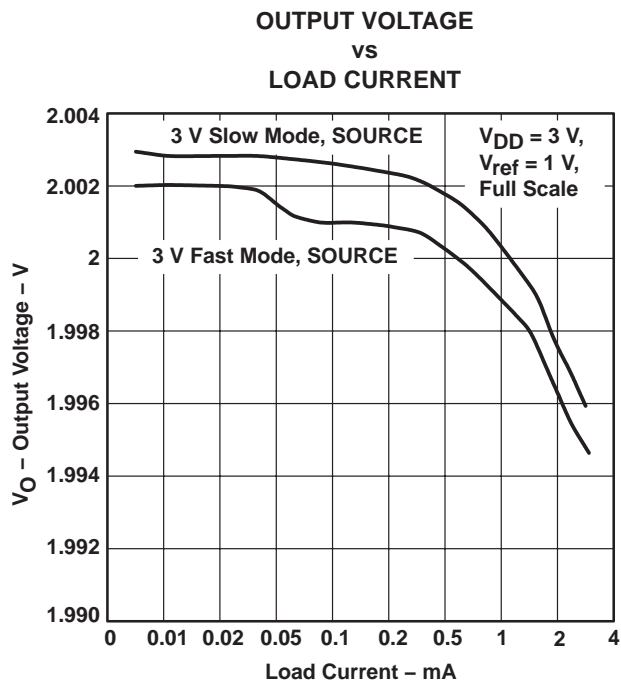


Figure 2

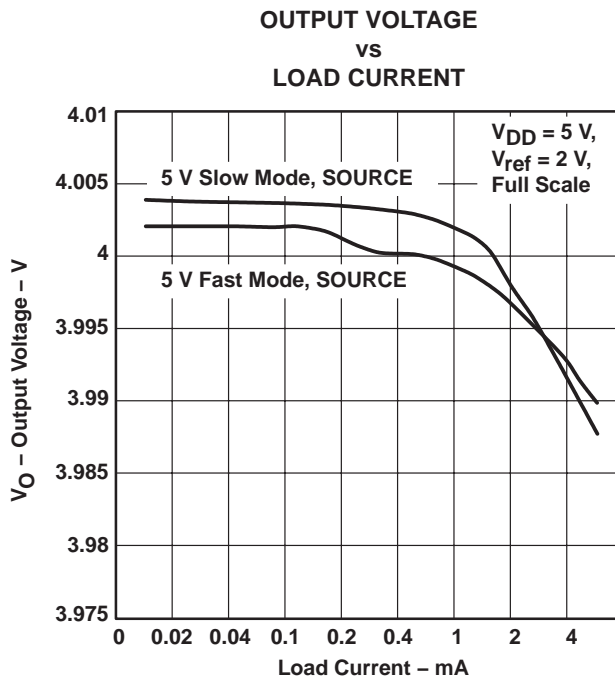


Figure 3

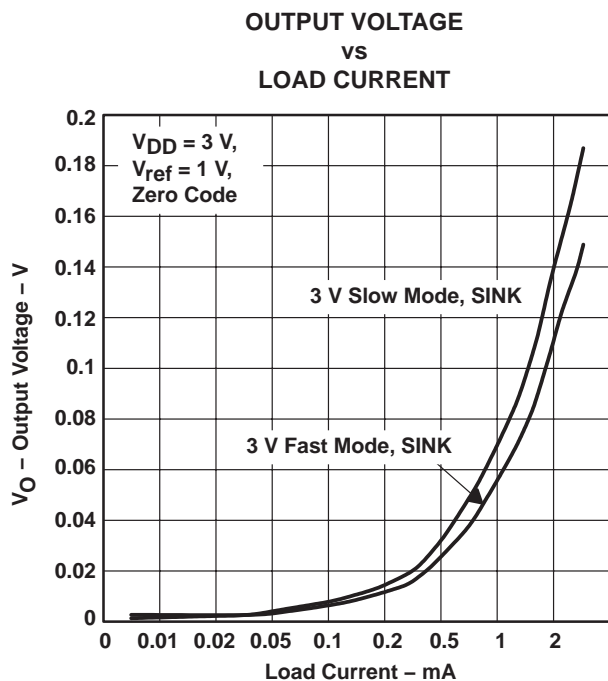


Figure 4

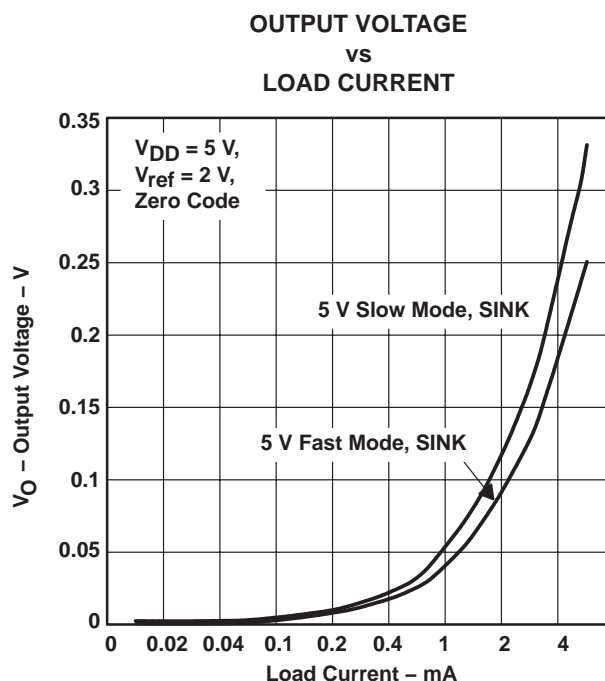


Figure 5

TLV5616C, TLV5616I
2.7-V TO 5.5-V LOW POWER 12-BIT DIGITAL-TO-ANALOG
CONVERTERS WITH POWER DOWN

SLAS152D – DECEMBER 1997 – REVISED APRIL 2004

TYPICAL CHARACTERISTICS

SUPPLY CURRENT
vs
FREE-AIR TEMPERATURE

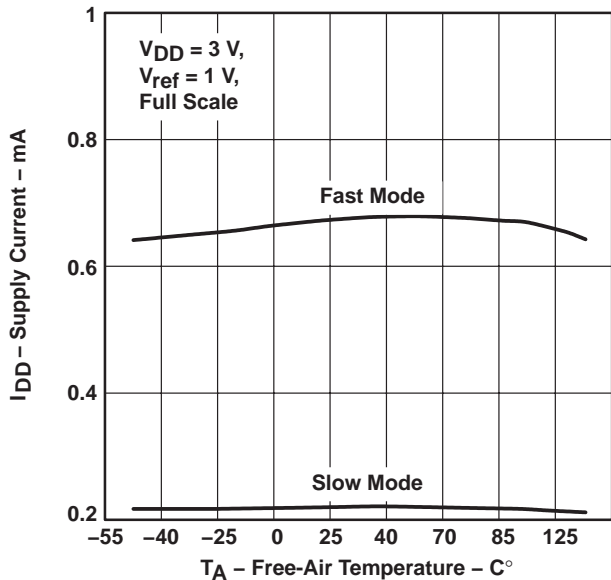


Figure 6

SUPPLY CURRENT
vs
FREE-AIR TEMPERATURE

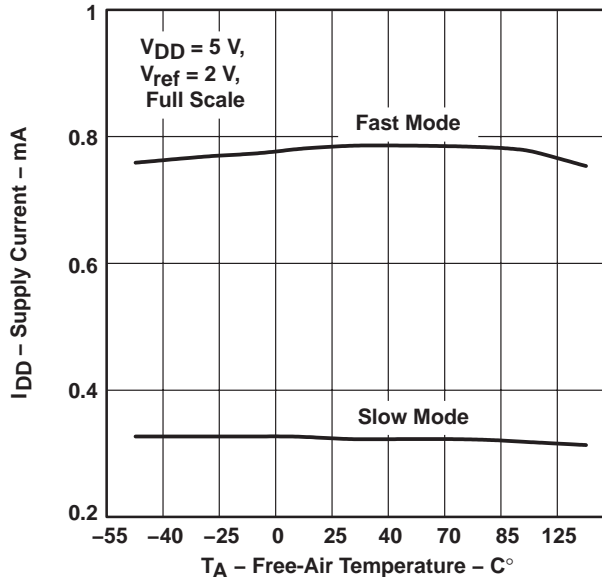


Figure 7

TOTAL HARMONIC DISTORTION
vs
FREQUENCY

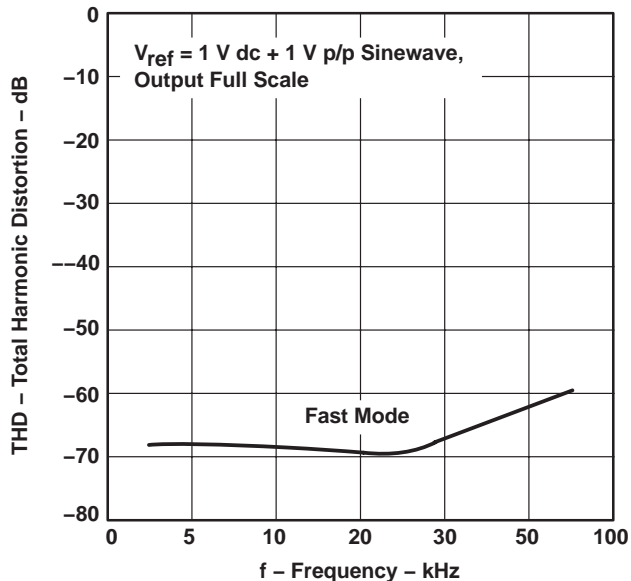


Figure 8

TOTAL HARMONIC DISTORTION
vs
FREQUENCY

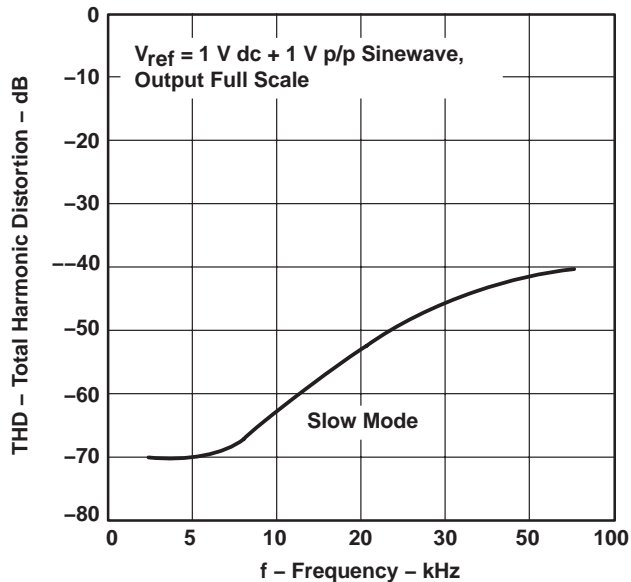


Figure 9

TYPICAL CHARACTERISTICS

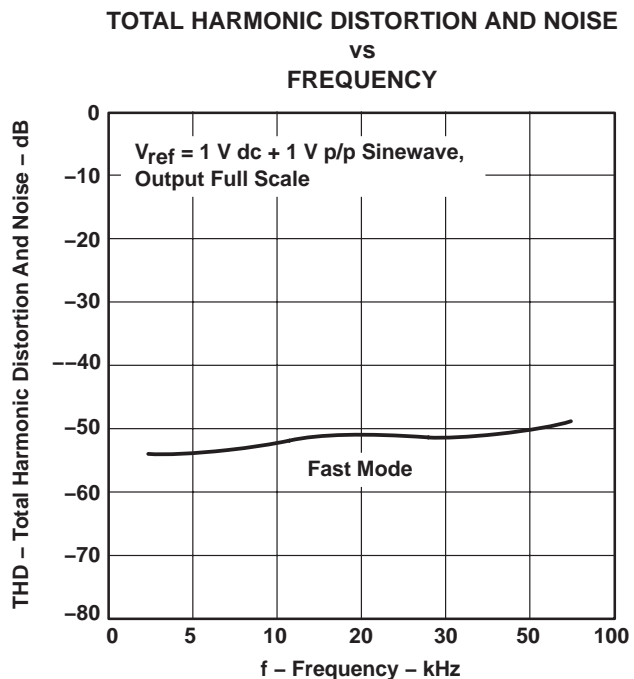


Figure 10

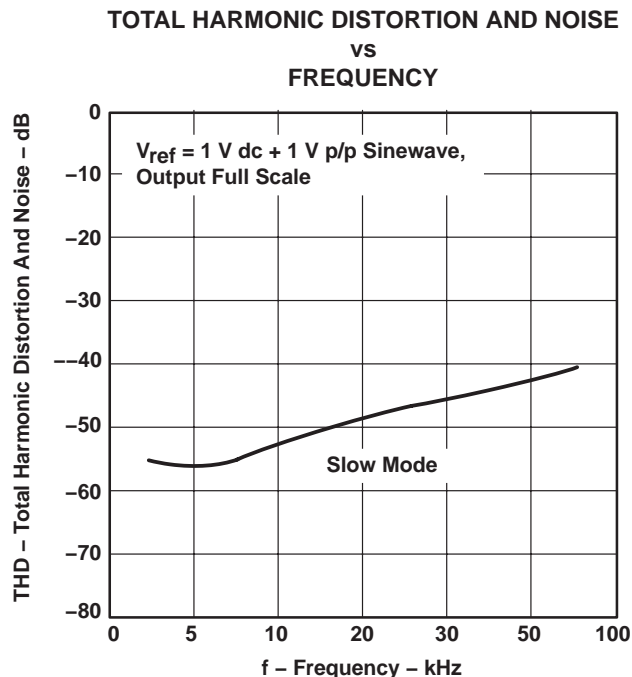


Figure 11

SUPPLY CURRENT
VS
TIME (WHEN ENTERING POWER-DOWN MODE)

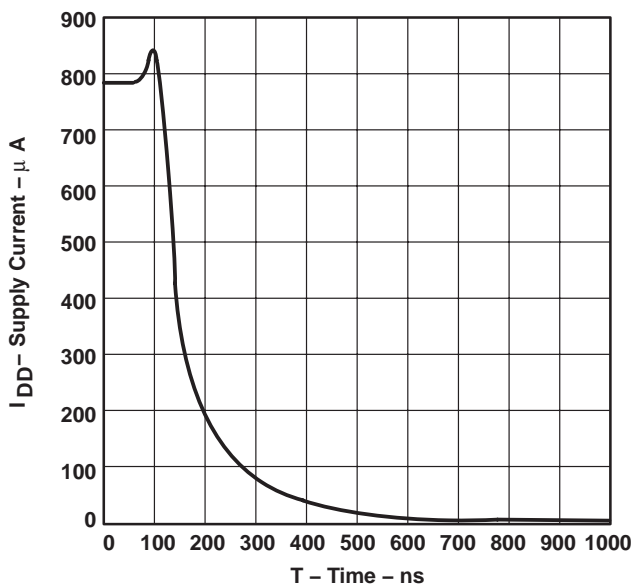


Figure 12

TLV5616C, TLV5616I
2.7-V TO 5.5-V LOW POWER 12-BIT DIGITAL-TO-ANALOG
CONVERTERS WITH POWER DOWN

SLAS152D – DECEMBER 1997 – REVISED APRIL 2004

TYPICAL CHARACTERISTICS

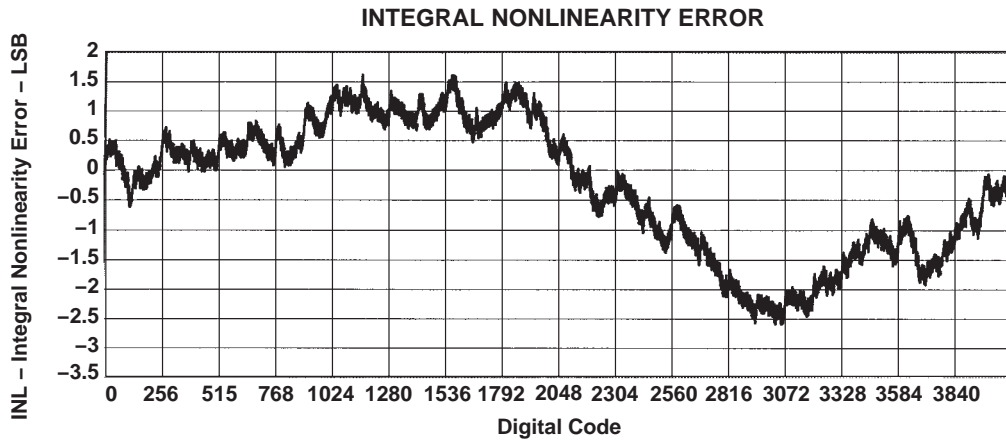


Figure 13

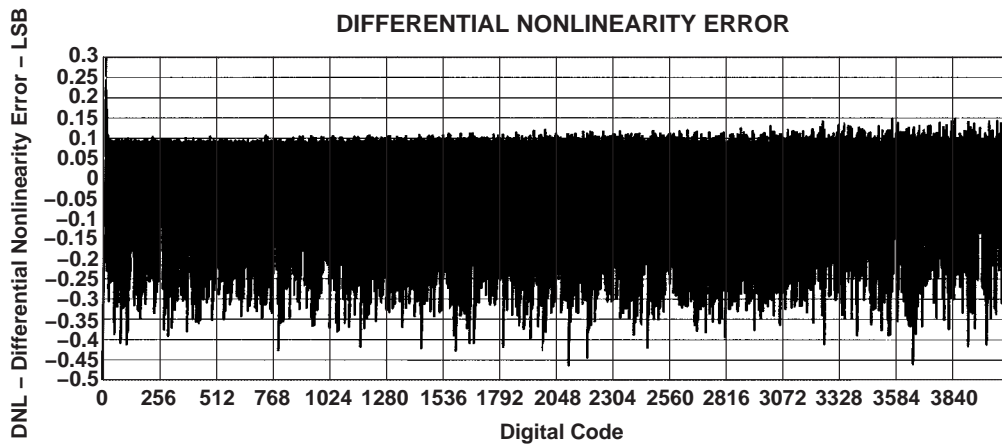


Figure 14

APPLICATION INFORMATION

general function

The TLV5616 is a 12-bit single supply DAC based on a resistor string architecture. The device consists of a serial interface, speed and power-down control logic, a reference input buffer, a resistor string, and a rail-to-rail output buffer.

The output voltage (full scale determined by external reference) is given by:

$$2 \text{ REF } \frac{\text{CODE}}{2^n} \text{ [V]}$$

where REF is the reference voltage and CODE is the digital input value within the range of 0_{10} to 2^{n-1} , where $n = 12$ (bits). The 16-bit data word, consisting of control bits and the new DAC value, is illustrated in the *data format* section. A power-on reset initially resets the internal latches to a defined state (all bits zero).

serial interface

Explanation of data transfer: First, the device has to be enabled with $\overline{\text{CS}}$ set to low. Then, a falling edge of FS starts shifting the data bit-per-bit (starting with the MSB) to the internal register on the falling edges of SCLK. After 16 bits have been transferred or FS rises, the content of the shift register is moved to the DAC latch which updates the voltage output to the new level.

The serial interface of the TLV5616 can be used in two basic modes:

- Four wire (with chip select)
- Three wire (without chip select)

Using chip select (four wire mode), it is possible to have more than one device connected to the serial port of the data source (DSP or microcontroller). The interface is compatible with the TMS320 family. Figure 15 shows an example with two TLV5616s connected directly to a TMS320 DSP.

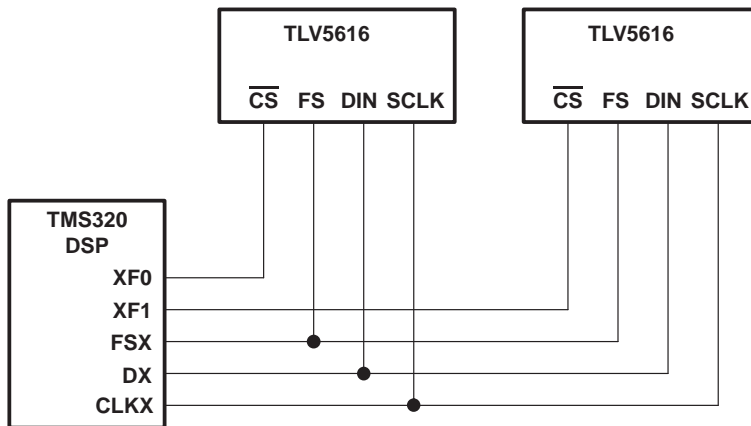


Figure 15. TMS320 Interface

TLV5616C, TLV5616I

2.7-V TO 5.5-V LOW POWER 12-BIT DIGITAL-TO-ANALOG CONVERTERS WITH POWER DOWN

SLAS152D – DECEMBER 1997 – REVISED APRIL 2004

APPLICATION INFORMATION

serial interface (continued)

If there is no need to have more than one device on the serial bus, then \overline{CS} can be tied low. Figure 16 shows an example of how to connect the TLV5616 to a TMS320, SPI, or Microwire port using only three pins.

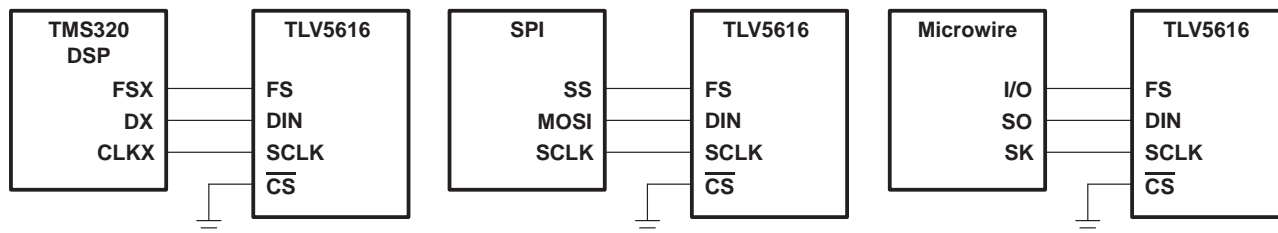


Figure 16. Three-Wire Interface

Notes on SPI and Microwire: Before the controller starts the data transfer, the software has to generate a falling edge on the I/O pin connected to FS. If the word width is 8 bits (SPI and Microwire), two write operations must be performed to program the TLV5616. After the write operation(s), the DAC output is updated automatically on the next positive clock edge following the sixteenth falling clock edge.

serial clock frequency and update rate

The maximum serial clock frequency is given by:

$$f_{SCLKmax} = \frac{1}{t_{wH(min)} + t_{wL(min)}} = 20 \text{ MHz}$$

The maximum update rate is:

$$f_{UPDATEmax} = \frac{1}{16(t_{wH(min)} + t_{wL(min)})} = 1.25 \text{ MHz}$$

The maximum update rate is a theoretical value for the serial interface, since the settling time of the TLV5616 has to be considered also.

data format

The 16-bit data word for the TLV5616 consists of two parts:

- Control bits (D15 . . . D12)
- New DAC value (D11 . . . D0)

D15	D14	D13	D12	D11	D10	D9	D8	D7	D6	D5	D4	D3	D2	D1	D0
X	SPD	PWR	X	New DAC value (12 bits)											

X: don't care

SPD: Speed control bit. 1 → fast mode 0 → slow mode

PWR: Power control bit. 1 → power down 0 → normal operation

In power-down mode, all amplifiers within the TLV5616 are disabled.

APPLICATION INFORMATION

TLV5616 interfaced to TMS320C203 DSP

hardware interfacing

Figure 17 shows an example how to connect the TLV5616 to a TMS320C203 DSP. The serial interface of the TLV5616 is ideally suited to this configuration, using a maximum of four wires to make the necessary connections. In applications where only one synchronous serial peripheral is used, the interface can be simplified even further by pulling \overline{CS} low all the time as shown in the figure.

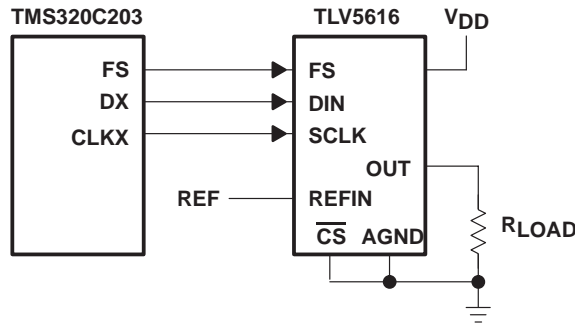


Figure 17. TLV5616 to DSP Interface

software

No setup procedure is needed to access the TLV5616. The output voltage can be set using just a single command.

```
out    data_addr, SDTR
```

where data_addr points to an address location holding the control bits and the 12 data bits providing the output voltage data. SDTR is the address of the transmit FIFO of the synchronous serial port.

The following code shows how to use the timer of the TMS320C203 as a time base to generate a voltage ramp with the TLV5616.

A timer interrupt is generated every 205 μ s. The corresponding interrupt service routine increments the output code (stored at 0x0064) for the DAC, adds the DAC control bits to the four most significant bits, and writes the new code to the TLV5616. The resulting period of the saw waveform is:

$$\pi = 4096 \times 205 \text{ E-6 s} = 0.84 \text{ s}$$

```

;*****
;* Title   : Ramp generation with TLV5616
;* Version : 1.0
;* DSP     : TI TMS320C203
;* © (1998) Texas Instruments Incorporated
;*****

;----- I/O and memory mapped regs -----
    .include "regs.asm"
;----- vectors -----
    .ps    0h
    b     start
    b     INT1
    b     INT23
    b     TIM_ISR

```

TLV5616C, TLV5616I
2.7-V TO 5.5-V LOW POWER 12-BIT DIGITAL-TO-ANALOG
CONVERTERS WITH POWER DOWN

SLAS152D – DECEMBER 1997 – REVISED APRIL 2004

APPLICATION INFORMATION

```

;*****
;* Main Program
;*****
        .ps      1000h
        .entry

start:
; disable interrupts
        setc     INTM      ; disable maskable interrupts
        splk    #0ffffh, IFR
        splk    #0004h, IMR

; set up the timer to interrupt ever 205uS
        splk    #0000h, 60h
        splk    #00FFh, 61h
        out     61h, PRD
        out     60h, TIM
        splk    #0c2fh, 62h
        out     62h, TCR

; Configure SSP to use internal clock, internal frame sync and burst mode
        splk    #0CC0Eh, 63h
        out     63h, SSPCR
        splk    #0CC3Eh, 63h
        out     63h, SSPCR

        splk    #0000h, 64h ; set initial DAC value

; enable interrupts
        clrc    INTM      ; enable maskable interrupts

; loop forever!
next:   idle          ;wait for interrupt
        b       next

; all else fails stop here
done:   b       done      ;hang there

;*****
;* Interrupt Service Routines
;*****
INT1:   ret           ;do nothing and return
INT23:  ret           ;do nothing and return
TIM_ISR:
        lacl   64h      ; restore counter value to ACC
        add   #1h      ; increment DAC value
        and   #0FFFh   ; mask 4 MSBs
        sacl  64h      ; store 12 bit counter value
        or   #4000h    ; set DAC control bits
        sacl  65h      ; store DAC value
        out   65h, SDTR ; send data

        clrc  intm     ; re-enable interrupts
        ret

.END

```

APPLICATION INFORMATION

TLV5616 interfaced to MCS51[®] microcontroller

hardware interfacing

Figure 18 shows an example of how to connect the TLV5616 to an MCS51[®] compatible microcontroller. The serial DAC input data and external control signals are sent via I/O port 3 of the controller. The serial data is sent on the RxD line, with the serial clock output on the TxD line. P3.4 and P3.5 are configured as outputs to provide the chip select and frame sync signals for the TLV5616.

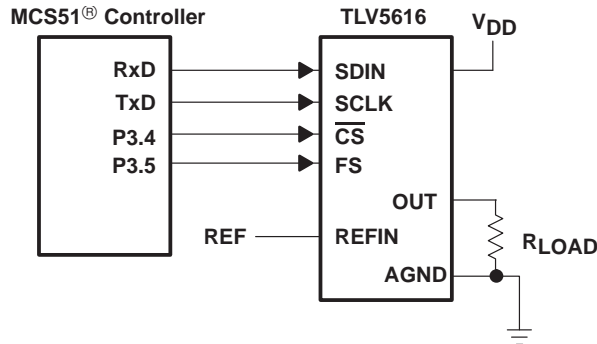


Figure 18. TLV5616 to MCS51[®] Controller Interface

software

The example program puts out a sine wave on the OUT pin.

The on-chip timer is used to generate interrupts at a fixed frequency. The related interrupt service routine fetches and writes the next sample to the DAC. The samples are stored in a lookup table, which describes one full period of a sine wave.

The serial port of the controller is used in mode 0, which transmits 8 bits of data on RxD, accompanied by a synchronous clock on TxD. Two writes concatenated together are required to write a complete word to the TLV5616. The CS and FS signals are provided in the required fashion through control of I/O port 3, which has bit addressable outputs.

```

;*****
;* Title   : Ramp generation with TLV5616                               *
;* Version : 1.0                                                         *
;* MCU     : INTEL MCS51®                                             *
;* © (1998) Texas Instruments Incorporated                             *
;*****

;-----
; Program function declaration
;-----

NAME    GENSINE

MAIN    SEGMENT                CODE
ISR     SEGMENT                CODE
SINTBL  SEGMENT                CODE
VAR1    SEGMENT                DATA
STACK   SEGMENT                IDATA

;-----
; Code start at address 0, jump to start
;-----

CSEG AT 0
    
```

MCS is a registered trademark of Intel Corporation

TLV5616C, TLV5616I
2.7-V TO 5.5-V LOW POWER 12-BIT DIGITAL-TO-ANALOG
CONVERTERS WITH POWER DOWN

SLAS152D – DECEMBER 1997 – REVISED APRIL 2004

APPLICATION INFORMATION

```

LJMP      start      ; Execution starts at address 0 on power-up.
;-----
; Code in the timer0 interrupt vector
;-----
      CSEG AT  0BH
      LJMP      timer0isr ; Jump vector for timer 0 interrupt is 000Bh
;-----
; Define program variables
;-----
      RSEG      VAR1
rolling_ptr: DS 1
;-----
; Interrupt service routine for timer 0 interrupts
;-----
      RSEG      ISR
timer0isr:
      PUSH      PSW
      PUSH      ACC

      CLR       T0           ; set CSB low
      CLR       T1           ; set FS low

      ; The signal to be output on the dac is a sine function. One cycle of a sine wave is
      ; held in a table @ sinevals as 32 samples of msb, lsb pairs (64 bytes). The pointer,
      ; rolling_ptr, rolls round the table of samples incrementing by 2 bytes (1 sample) on
      ; each interrupt (at the end of this routine).

      MOV       DPTR,#sinevals ; set DPTR to the start of the table of sine signal values
      MOV       A,rolling_ptr  ; ACC loaded with the pointer into the sine table

      MOVC     A,@A+DPTR      ; get msb from the table
      ORL      A, #00H        ; set control bits
      MOV      SBUF,A         ; send out msb of data word

      MOVA,rolling_ptr ; move rolling pointer in to ACC
      INC      A              ; increment ACC holding the rolling pointer
      MOVC     A,@A+DPTR      ; which is the lsb of this sample, now in ACC

MSB_TX:
      JNB      TI, MSB_TX     ; wait for transmit to complete
      CLR      TI             ; clear for new transmit
      MOV      SBUF,A         ; and send out the lsb

LSB_TX:
      JNB      TI, LSB_TX     ; wait for lsb transmit to complete
      SETB     T1             ; set FS = 1
      CLR      TI             ; clear for new transmit

      MOV     A,rolling_ptr    ; load ACC with rolling pointer
      INC     A                ; increment the ACC twice, to get next sample
      INC     A
      ANL    A,#03FH          ; wrap back round to 0 if >64
      MOV    rolling_ptr,A    ; move value held in ACC back to the rolling pointer

      SETB    T0              ; CSB high

      POP     ACC
      POP     PSW

      RETI

;-----
; Set up stack
;-----

```

TLV5616C, TLV5616I
2.7-V TO 5.5-V LOW POWER 12-BIT DIGITAL-TO-ANALOG
CONVERTERS WITH POWER DOWN

SLAS152D – DECEMBER 1997 – REVISED APRIL 2004

APPLICATION INFORMATION

```
RSEG   STACK
DS     10h           ; 16 Byte Stack!
;-----
; Main Program
;-----

RSEG   MAIN

start:
MOV    SP,#STACK-1  ; first set Stack Pointer

CLR    A
MOV    SCON,A       ; set serial port 0 to mode 0
MOV    TMOD,#02H    ; set timer 0 to mode 2 - auto-reload
MOV    TH0,#0C8H    ; set TH0 for 16.67 kHs interrupts

SETB   T1           ; set FS = 1
SETB   T0           ; set CSB = 1

SETB   ET0         ; enable timer 0 interrupts
SETB   EA           ; enable all interrupts

MOV    rolling_ptr,A ; set rolling pointer to 0
SETB   TR0         ; start timer 0

always:
SJMP   always      ; while(1) !
RET

;-----
; Table of 32 sine wave samples used as DAC data
;-----

RSEG   SINTBL
sinevals:
DW     01000H
DW     0903EH
DW     05097H
DW     0305CH
DW     0B086H
DW     070CAH
DW     0F0E0H
DW     0F06EH
DW     0F039H
DW     0F06EH
DW     0F0E0H
DW     070CAH
DW     0B086H
DW     0305CH
DW     05097H
DW     0903EH
DW     01000H
DW     06021H
DW     0A0E8H
DW     0C063H
DW     040F9H
DW     080B5H
DW     0009FH
DW     00051H
DW     00026H
DW     00051H
DW     0009FH
DW     080B5H
DW     040F9H
DW     0C063H
DW     0A0E8H
DW     06021H

END
```

TLV5616C, TLV5616I

2.7-V TO 5.5-V LOW POWER 12-BIT DIGITAL-TO-ANALOG CONVERTERS WITH POWER DOWN

SLAS152D – DECEMBER 1997 – REVISED APRIL 2004

APPLICATION INFORMATION

linearity, offset, and gain error using single ended supplies

When an amplifier is operated from a single supply, the voltage offset can still be either positive or negative. With a positive offset, the output voltage changes on the first code change. With a negative offset, the output voltage may not change with the first code, depending on the magnitude of the offset voltage.

The output amplifier attempts to drive the output to a negative voltage. However, because the most negative supply rail is ground, the output cannot drive below ground and clamps the output at 0 V.

The output voltage then remains at zero until the input code value produces a sufficient positive output voltage to overcome the negative offset voltage, resulting in the transfer function shown in Figure 19.

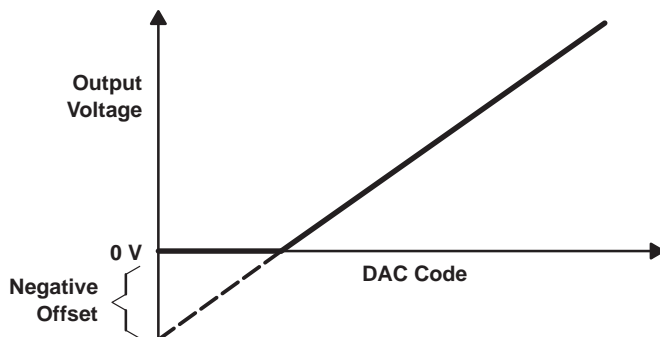


Figure 19. Effect of Negative Offset (Single Supply)

This offset error, not the linearity error, produces this breakpoint. The transfer function would have followed the dotted line if the output buffer could drive below the ground rail.

For a DAC, linearity is measured between zero-input code (all inputs 0) and full-scale code (all inputs 1) after offset and full scale are adjusted out or accounted for in some way. However, single supply operation does not allow for adjustment when the offset is negative due to the breakpoint in the transfer function. So the linearity is measured between full-scale code and the lowest code that produces a positive output voltage.

power-supply bypassing and ground management

Printed-circuit boards that use separate analog and digital ground planes offer the best system performance. Wire-wrap boards do not perform well and should not be used. The two ground planes should be connected together at the low-impedance power-supply source. The best ground connection may be achieved by connecting the DAC AGND terminal to the system analog ground plane, making sure that analog ground currents are well managed and there are negligible voltage drops across the ground plane.

A 0.1- μF ceramic-capacitor bypass should be connected between V_{DD} and AGND and mounted with short leads as close as possible to the device. Use of ferrite beads may further isolate the system analog supply from the digital power supply.

Figure 20 shows the ground plane layout and bypassing technique.

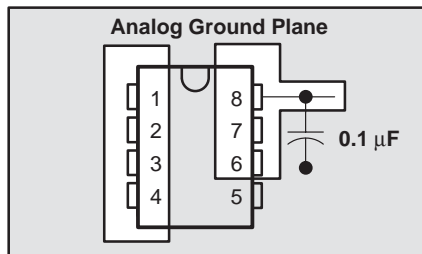


Figure 20. Power-Supply Bypassing

APPLICATION INFORMATION

definitions of specifications and terminology

integral nonlinearity (INL)

The relative accuracy or integral nonlinearity (INL), sometimes referred to as linearity error, is the maximum deviation of the output from the line between zero and full scale excluding the effects of zero code and full-scale errors.

differential nonlinearity (DNL)

The differential nonlinearity (DNL), sometimes referred to as differential error, is the difference between the measured and ideal 1 LSB amplitude change of any two adjacent codes. Monotonic means the output voltage changes in the same direction (or remains constant) as a change in the digital input code.

zero-scale error (E_{ZS})

Zero-scale error is defined as the deviation of the output from 0 V at a digital input value of 0.

gain error (E_G)

Gain error is the error in slope of the DAC transfer function.

signal-to-noise ratio + distortion (S/N+D)

S/N+D is the ratio of the rms value of the output signal to the rms sum of all other spectral components below the Nyquist frequency, including harmonics but excluding dc. The value for S/N+D is expressed in decibels.

spurious free dynamic range (SFDR)

SFDR is the difference between the rms value of the output signal and the rms value of the largest spurious signal within a specified bandwidth. The value for SFDR is expressed in decibels.

total harmonic distortion (THD)

THD is the ratio of the rms sum of the first six harmonic components to the rms value of the fundamental signal and is expressed in decibels.

PACKAGING INFORMATION

Orderable Device	Status (1)	Package Type	Package Drawing	Pins	Package Qty	Eco Plan (2)	Lead/Ball Finish (6)	MSL Peak Temp (3)	Op Temp (°C)	Device Marking (4/5)	Samples
TLV5616CD	ACTIVE	SOIC	D	8	75	Green (RoHS & no Sb/Br)	CU NIPDAU	Level-1-260C-UNLIM	0 to 70	5616C	Samples
TLV5616CDGK	ACTIVE	VSSOP	DGK	8	80	Green (RoHS & no Sb/Br)	CU NIPDAUAG	Level-1-260C-UNLIM	0 to 70	ABF	Samples
TLV5616CDR	ACTIVE	SOIC	D	8	2500	Green (RoHS & no Sb/Br)	CU NIPDAU	Level-1-260C-UNLIM	0 to 70	5616C	Samples
TLV5616CDRG4	ACTIVE	SOIC	D	8	2500	Green (RoHS & no Sb/Br)	CU NIPDAU	Level-1-260C-UNLIM	0 to 70	5616C	Samples
TLV5616CP	ACTIVE	PDIP	P	8	50	Pb-Free (RoHS)	CU NIPDAU	N / A for Pkg Type	0 to 70	TLV5616CP	Samples
TLV5616ID	ACTIVE	SOIC	D	8	75	Green (RoHS & no Sb/Br)	CU NIPDAU	Level-1-260C-UNLIM	-40 to 85	5616I	Samples
TLV5616IDGK	ACTIVE	VSSOP	DGK	8	80	Green (RoHS & no Sb/Br)	CU NIPDAUAG	Level-1-260C-UNLIM	-40 to 85	AJE	Samples
TLV5616IDGKR	ACTIVE	VSSOP	DGK	8	2500	Green (RoHS & no Sb/Br)	CU NIPDAUAG	Level-1-260C-UNLIM	-40 to 85	AJE	Samples
TLV5616IDR	ACTIVE	SOIC	D	8	2500	Green (RoHS & no Sb/Br)	CU NIPDAU	Level-1-260C-UNLIM	-40 to 85	5616I	Samples
TLV5616IP	ACTIVE	PDIP	P	8	50	Pb-Free (RoHS)	CU NIPDAU	N / A for Pkg Type	-40 to 85	TLV5616IP	Samples

(1) The marketing status values are defined as follows:

ACTIVE: Product device recommended for new designs.

LIFEBUY: TI has announced that the device will be discontinued, and a lifetime-buy period is in effect.

NRND: Not recommended for new designs. Device is in production to support existing customers, but TI does not recommend using this part in a new design.

PREVIEW: Device has been announced but is not in production. Samples may or may not be available.

OBSOLETE: TI has discontinued the production of the device.

(2) **RoHS:** TI defines "RoHS" to mean semiconductor products that are compliant with the current EU RoHS requirements for all 10 RoHS substances, including the requirement that RoHS substance do not exceed 0.1% by weight in homogeneous materials. Where designed to be soldered at high temperatures, "RoHS" products are suitable for use in specified lead-free processes. TI may reference these types of products as "Pb-Free".

RoHS Exempt: TI defines "RoHS Exempt" to mean products that contain lead but are compliant with EU RoHS pursuant to a specific EU RoHS exemption.

Green: TI defines "Green" to mean the content of Chlorine (Cl) and Bromine (Br) based flame retardants meet JS709B low halogen requirements of <=1000ppm threshold. Antimony trioxide based flame retardants must also meet the <=1000ppm threshold requirement.

(3) MSL, Peak Temp. - The Moisture Sensitivity Level rating according to the JEDEC industry standard classifications, and peak solder temperature.

(4) There may be additional marking, which relates to the logo, the lot trace code information, or the environmental category on the device.

(5) Multiple Device Markings will be inside parentheses. Only one Device Marking contained in parentheses and separated by a "~" will appear on a device. If a line is indented then it is a continuation of the previous line and the two combined represent the entire Device Marking for that device.

(6) Lead/Ball Finish - Orderable Devices may have multiple material finish options. Finish options are separated by a vertical ruled line. Lead/Ball Finish values may wrap to two lines if the finish value exceeds the maximum column width.

Important Information and Disclaimer:The information provided on this page represents TI's knowledge and belief as of the date that it is provided. TI bases its knowledge and belief on information provided by third parties, and makes no representation or warranty as to the accuracy of such information. Efforts are underway to better integrate information from third parties. TI has taken and continues to take reasonable steps to provide representative and accurate information but may not have conducted destructive testing or chemical analysis on incoming materials and chemicals. TI and TI suppliers consider certain information to be proprietary, and thus CAS numbers and other limited information may not be available for release.

In no event shall TI's liability arising out of such information exceed the total purchase price of the TI part(s) at issue in this document sold by TI to Customer on an annual basis.

TAPE AND REEL INFORMATION



QUADRANT ASSIGNMENTS FOR PIN 1 ORIENTATION IN TAPE



*All dimensions are nominal

Device	Package Type	Package Drawing	Pins	SPQ	Reel Diameter (mm)	Reel Width W1 (mm)	A0 (mm)	B0 (mm)	K0 (mm)	P1 (mm)	W (mm)	Pin1 Quadrant
TLV5616CDR	SOIC	D	8	2500	330.0	12.4	6.4	5.2	2.1	8.0	12.0	Q1
TLV5616IDGKR	VSSOP	DGK	8	2500	330.0	12.4	5.3	3.4	1.4	8.0	12.0	Q1
TLV5616IDR	SOIC	D	8	2500	330.0	12.4	6.4	5.2	2.1	8.0	12.0	Q1

TAPE AND REEL BOX DIMENSIONS


*All dimensions are nominal

Device	Package Type	Package Drawing	Pins	SPQ	Length (mm)	Width (mm)	Height (mm)
TLV5616CDR	SOIC	D	8	2500	350.0	350.0	43.0
TLV5616IDGKR	VSSOP	DGK	8	2500	350.0	350.0	43.0
TLV5616IDR	SOIC	D	8	2500	350.0	350.0	43.0

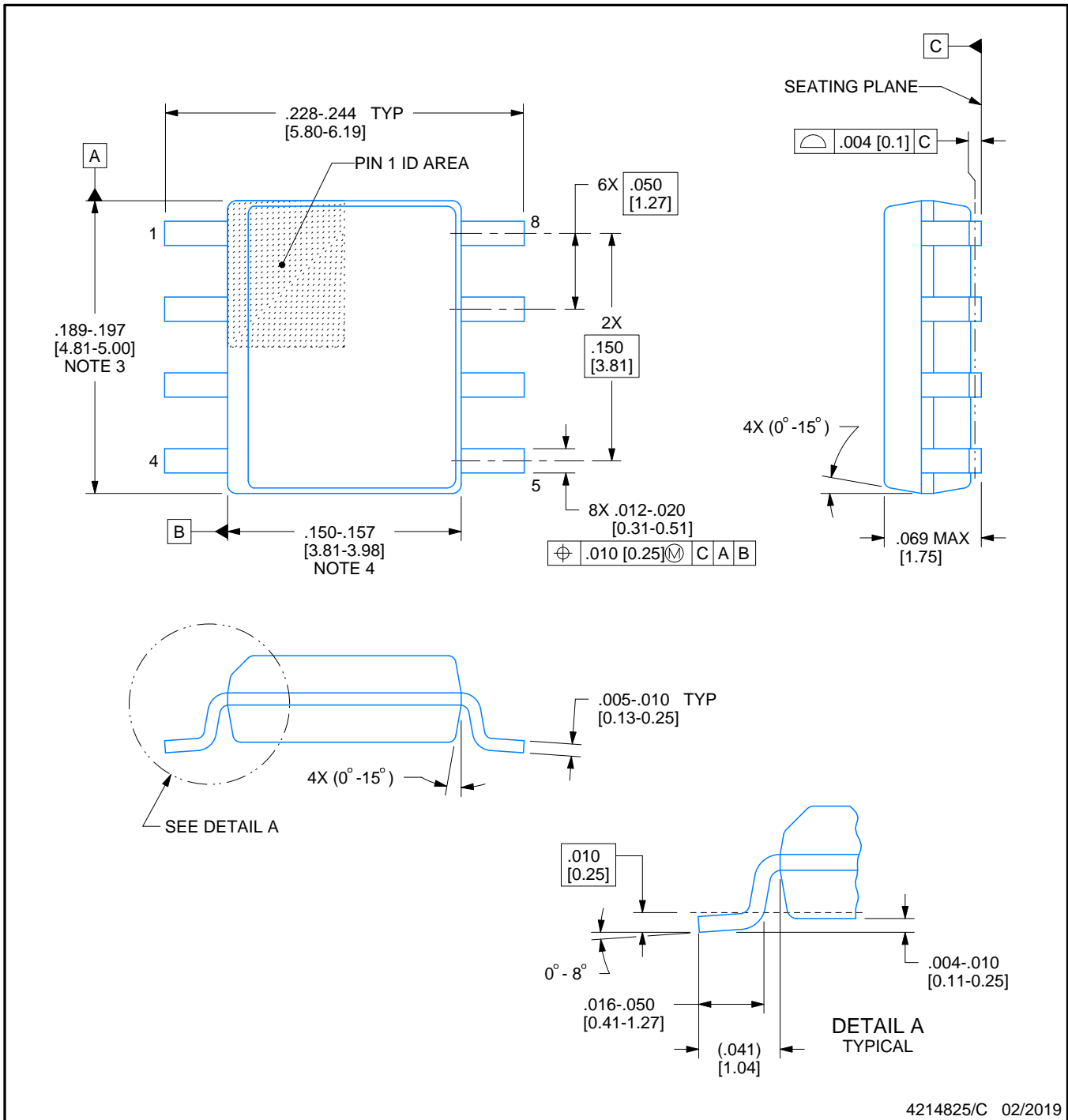


D0008A

PACKAGE OUTLINE

SOIC - 1.75 mm max height

SMALL OUTLINE INTEGRATED CIRCUIT



4214825/C 02/2019

NOTES:

1. Linear dimensions are in inches [millimeters]. Dimensions in parenthesis are for reference only. Controlling dimensions are in inches. Dimensioning and tolerancing per ASME Y14.5M.
2. This drawing is subject to change without notice.
3. This dimension does not include mold flash, protrusions, or gate burrs. Mold flash, protrusions, or gate burrs shall not exceed $.006$ [0.15] per side.
4. This dimension does not include interlead flash.
5. Reference JEDEC registration MS-012, variation AA.

EXAMPLE BOARD LAYOUT

D0008A

SOIC - 1.75 mm max height

SMALL OUTLINE INTEGRATED CIRCUIT



LAND PATTERN EXAMPLE
 EXPOSED METAL SHOWN
 SCALE:8X



SOLDER MASK DETAILS

4214825/C 02/2019

NOTES: (continued)

- 6. Publication IPC-7351 may have alternate designs.
- 7. Solder mask tolerances between and around signal pads can vary based on board fabrication site.

EXAMPLE STENCIL DESIGN

D0008A

SOIC - 1.75 mm max height

SMALL OUTLINE INTEGRATED CIRCUIT



SOLDER PASTE EXAMPLE
BASED ON .005 INCH [0.125 MM] THICK STENCIL
SCALE:8X

4214825/C 02/2019

NOTES: (continued)

8. Laser cutting apertures with trapezoidal walls and rounded corners may offer better paste release. IPC-7525 may have alternate design recommendations.
9. Board assembly site may have different recommendations for stencil design.

P (R-PDIP-T8)

PLASTIC DUAL-IN-LINE PACKAGE



- NOTES:
- A. All linear dimensions are in inches (millimeters).
 - B. This drawing is subject to change without notice.
 - C. Falls within JEDEC MS-001 variation BA.



- NOTES:
- A. All linear dimensions are in millimeters.
 - B. This drawing is subject to change without notice.
 - C. Publication IPC-7351 is recommended for alternate designs.
 - D. Laser cutting apertures with trapezoidal walls and also rounding corners will offer better paste release. Customers should contact their board assembly site for stencil design recommendations. Refer to IPC-7525 for other stencil recommendations.
 - E. Customers should contact their board fabrication site for solder mask tolerances between and around signal pads.

IMPORTANT NOTICE AND DISCLAIMER

TI PROVIDES TECHNICAL AND RELIABILITY DATA (INCLUDING DATASHEETS), DESIGN RESOURCES (INCLUDING REFERENCE DESIGNS), APPLICATION OR OTHER DESIGN ADVICE, WEB TOOLS, SAFETY INFORMATION, AND OTHER RESOURCES "AS IS" AND WITH ALL FAULTS, AND DISCLAIMS ALL WARRANTIES, EXPRESS AND IMPLIED, INCLUDING WITHOUT LIMITATION ANY IMPLIED WARRANTIES OF MERCHANTABILITY, FITNESS FOR A PARTICULAR PURPOSE OR NON-INFRINGEMENT OF THIRD PARTY INTELLECTUAL PROPERTY RIGHTS.

These resources are intended for skilled developers designing with TI products. You are solely responsible for (1) selecting the appropriate TI products for your application, (2) designing, validating and testing your application, and (3) ensuring your application meets applicable standards, and any other safety, security, or other requirements. These resources are subject to change without notice. TI grants you permission to use these resources only for development of an application that uses the TI products described in the resource. Other reproduction and display of these resources is prohibited. No license is granted to any other TI intellectual property right or to any third party intellectual property right. TI disclaims responsibility for, and you will fully indemnify TI and its representatives against, any claims, damages, costs, losses, and liabilities arising out of your use of these resources.

TI's products are provided subject to TI's Terms of Sale (www.ti.com/legal/termsofsale.html) or other applicable terms available either on ti.com or provided in conjunction with such TI products. TI's provision of these resources does not expand or otherwise alter TI's applicable warranties or warranty disclaimers for TI products.

Mailing Address: Texas Instruments, Post Office Box 655303, Dallas, Texas 75265
Copyright © 2019, Texas Instruments Incorporated

Looking for pricing, stock, or lifecycle information?

Click below to explore more details on WIN SOURCE:

 [View TLV5616IDR on WIN SOURCE](#)

 [Texas Instruments](#) Information

Optimize Your Supply Chain with WIN SOURCE Solutions

-  Global Sourcing Solution
-  Obsolete Management
-  Cost Control Management
-  Shortage Management
-  Alternative Solution
-  Excess Inventory Management