



**THE DATASHEET OF
TLA-7T201LF-T**



Pulse transformers

TLA /ALT series

Issue date: April 2012

- All specifications are subject to change without notice.
 - Conformity to RoHS Directive: This means that, in conformity with EU Directive 2002/95/EC, lead, cadmium, mercury, hexavalent chromium, and specific bromine-based flame retardants, PBB and PBDE, have not been used, except for exempted applications.
-

PULSE TRANSFORMERS

TLA/ALT SERIES

| Contents | Page |
|----------|------|
|----------|------|

Pulse Transformers/Pin Terminal Type

| | |
|--|----|
| TLA-3T101LF(-T) 10BASE-2/5/T | 2 |
| TLA-3T106LF(-T) 10BASE-T | 4 |
| TLA-3T107LF(-T) 10BASE-T | 4 |
| TLA-3T105LF(-T) 10BASE-T | 6 |
| TLA-3T109LF(-T) 10BASE-T | 6 |
| TLA-3T110LF(-T) 10BASE-T | 6 |
| TLA-3T112LF(-T) 10BASE-T | 6 |
| TLA-6T103LF(-T) 10/100BASE-TX | 8 |
| TLA-6T118LF(-T) 10/100BASE-TX | 10 |
| TLA-6T119LF(-T) 10/100BASE-TX | 10 |
| TLA-6T120LF(-T) 10/100BASE-TX | 10 |
| TLA-6T121LF(-T) 10/100BASE-TX | 10 |
| TLA-6T122LF(-T) 10/100BASE-TX | 10 |
| TLA-6T127LF(-T) 10/100BASE-TX, PoE | 12 |
| TLA-6T133WLF(-T) 10/100BASE-TX | 14 |
| TLA-6T214ALF(-T) 10/100/1000BASE-T | 16 |
| TLA-6T213LF(-T) 10/100/1000BASE-TX | 18 |
| TLA-7T201LF(-T) 10/100/1000BASE-TX | 20 |
| TLA-6T406(-T) 10/100BASE-TX | 22 |
| TLA-7T101LF(-T) 10/100/1000BASE-T | 24 |

Pulse Transformers/Connector Type

| | |
|--------------------------------|----|
| TLA-6T776F 10/100BASE-TX | 26 |
| TLA-6T785 10/100BASE-TX | 28 |

LC Modules

| | |
|--------------------------------|----|
| TLA-3M103LF(-T) 10BASE-T | 30 |
|--------------------------------|----|

Pulse Transformers/SMD Type

| | |
|---------------|----|
| ALT4532 | 32 |
|---------------|----|

Precautions

The TDK products in this data are intended for usage in general electronics applications (computer, personal equipment, office equipment, measuring equipment, industrial robotics, domestic appliances, etc.).

They are neither intend nor warranted for usage in equipment that requires extraordinarily high quality and/or reliability or a malfunction or failure of which may cause loss of human life or bodily injury (atomic energy control instruments, airplane or spaceship instruments, transportation instrument, traffic signal instruments, combustion control instrument, medical instruments, all types of safety devices, etc.).

- Conformity to RoHS Directive: This means that, in conformity with EU Directive 2002/95/EC, lead, cadmium, mercury, hexavalent chromium, and specific bromine-based flame retardants, PBB and PBDE, have not been used, except for exempted applications.
-

PULSE TRANSFORMERS TLA/ALT Series

Pulse Transformers/Pin Terminal Type

TLA-3T101LF(-T) ISO8802.3(IEEE802.3) 10BASE2/5/-T

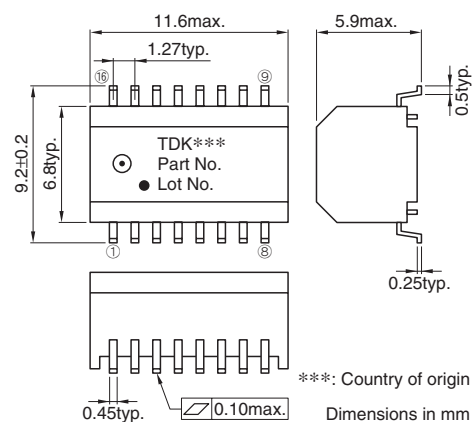
FEATURES

- Product conforming to RoHS directive.
- Can be mounted with lead-free solder (260°C max.).
- 16-pin SMD package(1.27mm=50mil pin pitch).
- Using the high-quality and wide-band ferrite cores for LAN.
- Packaging specification is taping and bulk(TLA-3T101LF-T: Tape and reel, TLA-3T101LF: Bulk).

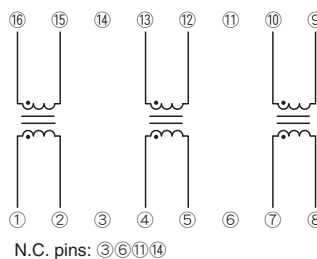
GENERAL SPECIFICATIONS

| | | |
|----------------------|-----------------|--------------|
| Pulse transformer | 3 | |
| Port | 1 | |
| Temperature ranges | Operating | 0 to +70°C |
| | Storage | -40 to +85°C |
| Withstanding voltage | Erms:2000V[60s] | |

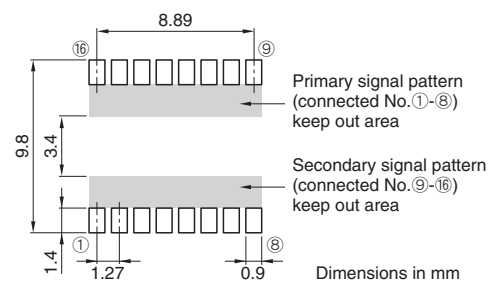
SHAPES AND DIMENSIONS



CIRCUIT DIAGRAM



RECOMMENDED PC BOARD PATTERN



ELECTRICAL CHARACTERISTICS

| Part No. | Turns ratio ①-②:⑯-⑮ ④-⑤:⑬-⑫ ⑦-⑧:⑩-⑨ | Inductance (μ H)typ.[100kHz] | Leakage inductance (μ H)max.[100kHz] | Inter-winding stray capacitance (pF)max.[100kHz] | DC resistance (Ω)max. |
|-----------------|--|--------------------------------------|--|--|-----------------------------------|
| TLA-3T101LF(-T) | 1:1 | 100 | 0.25 | 10 | 0.35, 0.35 |

- $T_a=25^\circ\text{C}$

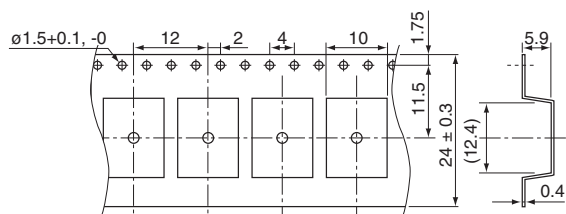
- Conformity to RoHS Directive: This means that, in conformity with EU Directive 2002/95/EC, lead, cadmium, mercury, hexavalent chromium, and specific bromine-based flame retardants, PBB and PBDE, have not been used, except for exempted applications.

- All specifications are subject to change without notice.

PACKAGING STYLES

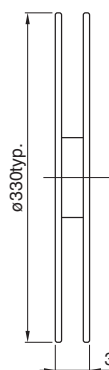
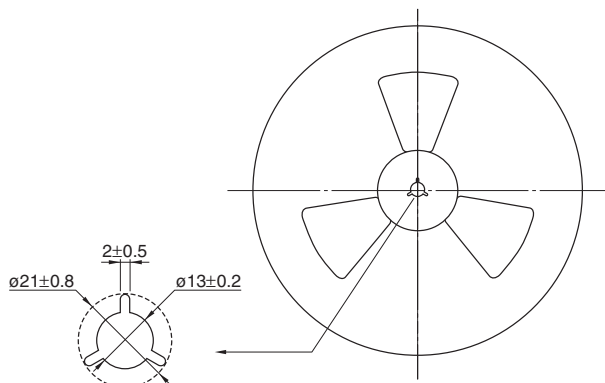
Quantity : 1000pieces/reel

TAPE DIMENSIONS



Dimensions in mm

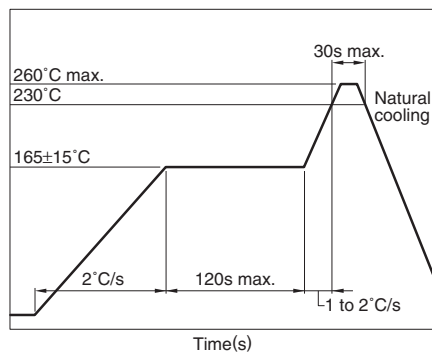
REEL DIMENSIONS



Dimensions in mm

RECOMMENDED SOLDERING CONDITION

REFLOW SOLDERING



RECOMMENDED CONDITION FOR LONG TERM STORE

When it stores for a long term, please avoid place of high temperature and high humidity. Recommend that it uses after the delivery within 1year.

Temperature range: +5 to +30°C

Humidity: 60(%)RH max.

- Temperature is measured at the terminal portion of product (Using thermocoupler for measurement).
- This profile is reference data we recommend. Please check in your actual process.
- For reliable soldering, the thickness of solder paste screen should be over the terminal co-planality.
- The cutted end of terminal has no plating(out of subject of solder ability).

TLA-3T106LF(-T)/107LF(-T) ISO8802.3(IEEE802.3) 10BASE-T

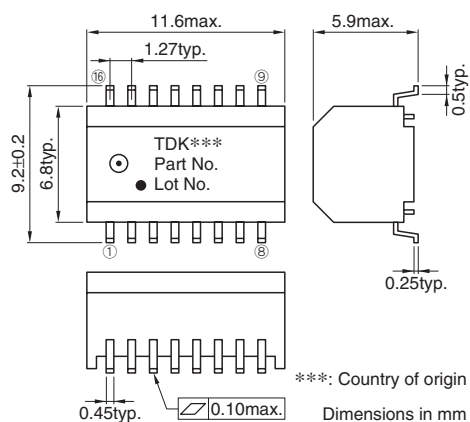
FEATURES

- Product conforming to RoHS directive.
- Can be mounted with lead-free solder (260°C max.).
- 16-pin SMD package(1.27mm=50mil pin pitch).
- Using the high-quality and wide-band ferrite cores for LAN.
- Packaging specification is taping and bulk(TLA-3T10□LF-T: Tape and reel, TLA-3T10 □LF: Bulk).

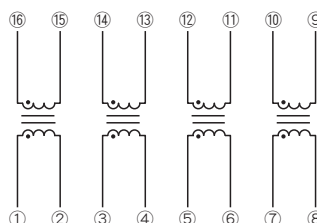
GENERAL SPECIFICATIONS

| | | |
|----------------------|-----------|------------------|
| Pulse transformer | | 4 |
| Port | | 4 |
| Temperature ranges | Operating | 0 to +70°C |
| | Storage | -40 to +85°C |
| Withstanding voltage | | Erms: 2000V[60s] |

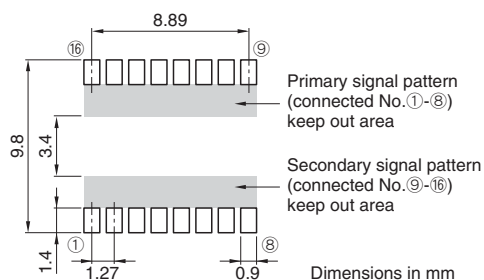
SHAPES AND DIMENSIONS



CIRCUIT DIAGRAM



RECOMMENDED PC BOARD PATTERN



ELECTRICAL CHARACTERISTICS

| Part No. | Turns ratio | Inductance (μ H)min.[100kHz] | Leakage inductance (μ H)max.[100kHz] | Inter-winding stray capacitance (pF)max.[100kHz] | DC resistance (Ω)max. |
|-----------------|-------------|--------------------------------------|--|--|-----------------------------------|
| | ①②:⑩⑨ | ①-② | ①-②[⑩⑨ shorted] | ①②-⑩⑨ | ①-②, ⑩-⑨ |
| | ③④:⑭⑬ | ③-④ | ③-④[⑭⑬ shorted] | ③④-⑭⑬ | ③-④, ⑭-⑬ |
| | ⑤⑥:⑫⑪ | ⑤-⑥ | ⑤-⑥[⑫⑪ shorted] | ⑤⑥-⑫⑪ | ⑤-⑥, ⑫-⑪ |
| | ⑦⑧:⑰⑱ | ⑦-⑧ | ⑦-⑧[⑰⑱ shorted] | ⑦⑧-⑰⑱ | ⑦-⑧, ⑰-⑱ |
| TLA-3T106LF(-T) | 1:1 | 130 | 0.3 | 12 | 0.4, 0.4 |
| TLA-3T107LF(-T) | 1:1.41 | 130 | 0.3 | 12 | 0.4, 0.5 |

- Ta=25°C

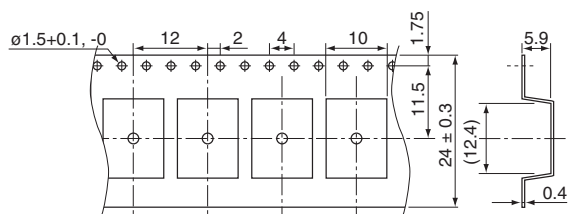
- Conformity to RoHS Directive: This means that, in conformity with EU Directive 2002/95/EC, lead, cadmium, mercury, hexavalent chromium, and specific bromine-based flame retardants, PBB and PBDE, have not been used, except for exempted applications.

- All specifications are subject to change without notice.

PACKAGING STYLES

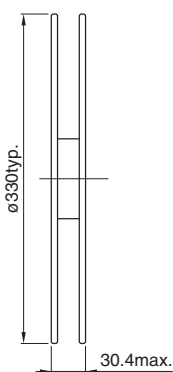
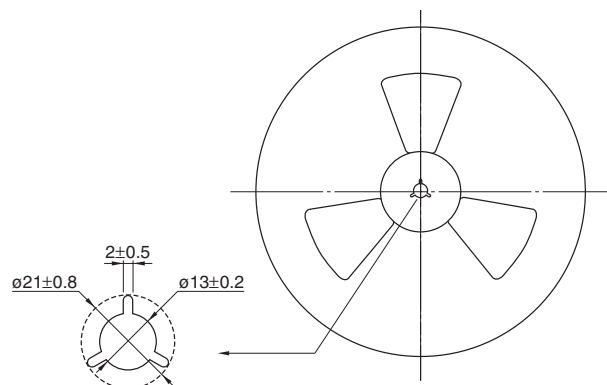
Quantity : 1000pieces/reel

TAPE DIMENSIONS



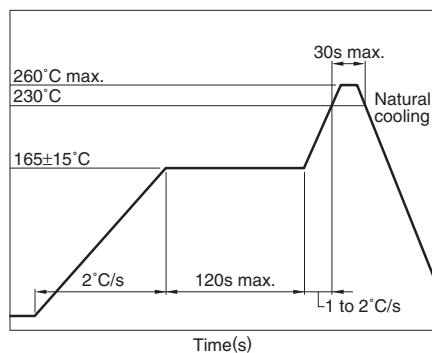
Dimensions in mm

REEL DIMENSIONS



Dimensions in mm

RECOMMENDED SOLDERING CONDITION REFLOW SOLDERING



RECOMMENDED CONDITION FOR LONG TERM STORE

When it stores for a long term, please avoid place of high temperature and high humidity. Recommend that it uses after the delivery within 1year.

Temperature range: +5 to +30°C

Humidity: 60(%)RH max.

- Temperature is measured at the terminal portion of product (Using thermocoupler for measurement).
- This profile is reference data we recommend. Please check in your actual process.
- For reliable soldering, the thickness of solder paste screen should be over the terminal co-planality.
- The cutted end of terminal has no plating(out of subject of solder ability).

TLA-3T105LF(-T)/109LF(-T)/110LF(-T)/112LF(-T) ISO8802.3(IEEE802.3) 10BASE-T

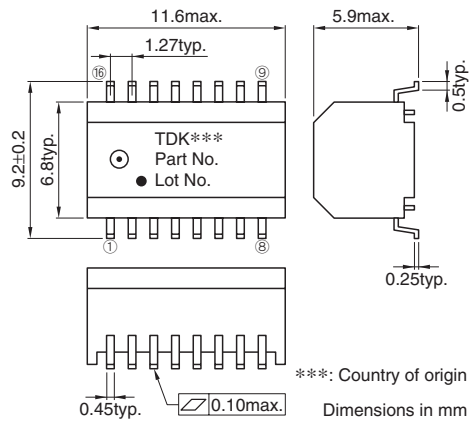
FEATURES

- Product conforming to RoHS directive.
- Can be mounted with lead-free solder (260°C max.).
- 16-pin SMD package(1.27mm=50mil pin pitch).
- Using the high-quality and wide-band ferrite cores for LAN.
- Packaging specification is taping and bulk(TLA-3T1 □□LF-T: Tape and reel, TLA-3T1 □□LF: Bulk).

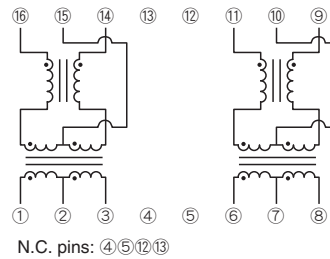
GENERAL SPECIFICATIONS

| | | |
|----------------------|------------------|--------------|
| Pulse transformer | 2 | |
| Common-mode choke | 2 | |
| Port | 1 | |
| Temperature ranges | Operating | 0 to +70°C |
| | Storage | -40 to +85°C |
| Withstanding voltage | Erms: 2000V[60s] | |

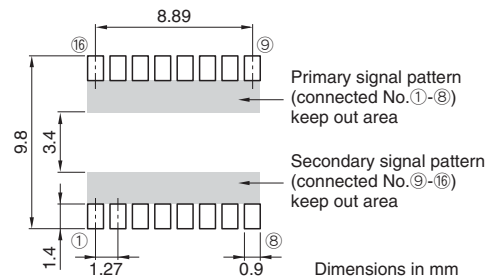
SHAPES AND DIMENSIONS



CIRCUIT DIAGRAM



RECOMMENDED PC BOARD PATTERN



ELECTRICAL CHARACTERISTICS

| Part No. | Turns ratio ①②③:⑯⑮⑭ ⑥⑦⑧:⑪⑩⑨ | Inductance (μH)min.[100kHz] ①-③ ⑥-⑧ | Leakage inductance (μH)max.[100kHz] ①-③[⑯-⑭ shorted] ⑥-⑧[⑪-⑩ shorted] | Inter-winding stray capacitance (pF)max.[100kHz] ①③-⑯⑭ ⑥⑧-⑪⑩ | DC resistance (Ω)max. ①-③ ⑥-⑧ |
|-----------------|-----------------------------------|--|--|--|--|
| TLA-3T105LF(-T) | 1CT:1CT | 130 | 0.3 | 12 | 0.5 |
| TLA-3T109LF(-T) | 1CT:1CT | 130 | 0.3 | 12 | 0.5 |
| TLA-3T110LF(-T) | 2CT:1CT | 130 | 0.95 | 12 | 0.5 |
| TLA-3T112LF(-T) | 1CT:1CT | 130 | 0.35 | 12 | 0.5 |
| TLA-3T110LF(-T) | 1CT:1.41CT | 130 | 0.35 | 12 | 0.5 |
| TLA-3T112LF(-T) | 1CT:1CT | 130 | 0.35 | 12 | 0.85 |
| TLA-3T112LF(-T) | 1CT:2.5CT | 130 | 0.35 | 12 | 0.85 |

- Ta=25°C

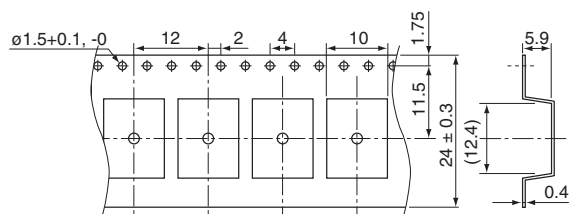
- Conformity to RoHS Directive: This means that, in conformity with EU Directive 2002/95/EC, lead, cadmium, mercury, hexavalent chromium, and specific bromine-based flame retardants, PBB and PBDE, have not been used, except for exempted applications.

- All specifications are subject to change without notice.

PACKAGING STYLES

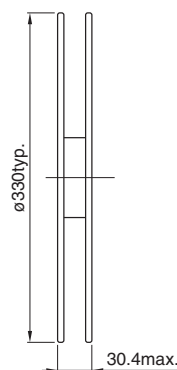
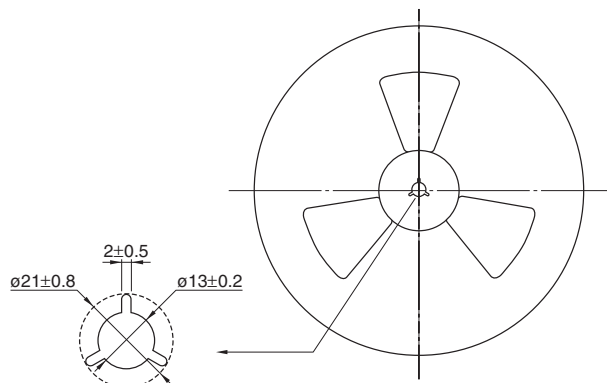
Quantity : 1000pieces/reel

TAPE DIMENSIONS



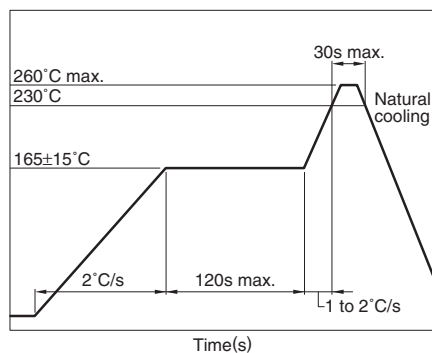
Dimensions in mm

REEL DIMENSIONS



Dimensions in mm

RECOMMENDED SOLDERING CONDITION REFLOW SOLDERING



RECOMMENDED CONDITION FOR LONG TERM STORE

When it stores for a long term, please avoid place of high temperature and high humidity. Recommend that it uses after the delivery within 1year.

Temperature range: +5 to +30°C

Humidity: 60(%)RH max.

- Temperature is measured at the terminal portion of product (Using thermocoupler for measurement).
- This profile is reference data we recommend. Please check in your actual process.
- For reliable soldering, the thickness of solder paste screen should be over the terminal co-planality.
- The cutted end of terminal has no plating(out of subject of solder ability).

TLA-6T103LF(-T) ISO8802.3(IEEE802.3) 10/100BASE-TX & ATM

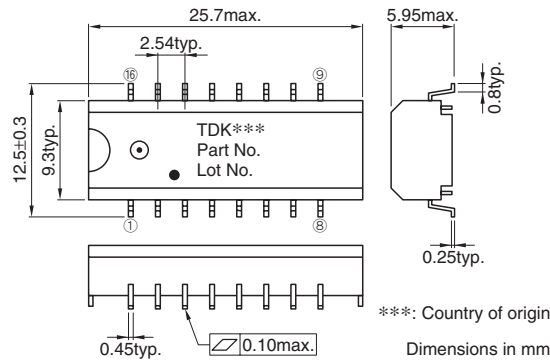
FEATURES

- Product conforming to RoHS directive.
- Can be mounted with lead-free solder (260°C max.).
- 16-pin SMD package(2.54mm=100mil pin pitch).
- Excellent common-mode noise suppression.
- Inductance is 350 μ H or greater (f=100kHz, DC bias=8mA).
- Using the high-quality and wide-band ferrite cores for LAN.
- Packaging specification is taping and bulk(TLA-6T103LF-T: Tape and reel, TLA-6T103LF: Bulk).

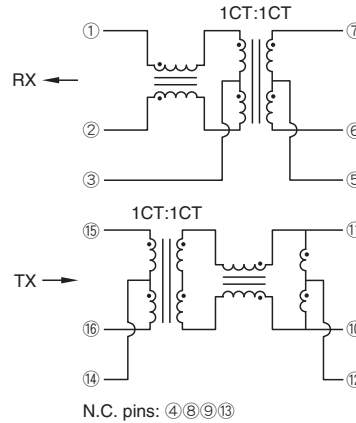
GENERAL SPECIFICATIONS

| | | |
|----------------------|-----------------|--------------|
| Pulse transformer | 2 | |
| Common-mode choke | 2 | |
| Inductor | 1 | |
| Port | 1 | |
| Temperature ranges | Operating | 0 to +70°C |
| | Storage | -40 to +85°C |
| Withstanding voltage | Erms:1500V[60s] | |

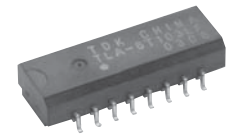
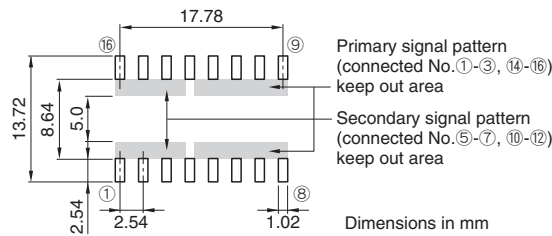
SHAPES AND DIMENSIONS



CIRCUIT DIAGRAM



RECOMMENDED PC BOARD PATTERN



ELECTRICAL CHARACTERISTICS

| Part No. | Turns ratio ⑮⑭⑯ : ⑪⑫⑩ ①③② : ⑦⑤⑥ | Inductance (μ H)min. [DC bias 8mA, 100kHz] | Insertion loss (dB)max. [0.1 to 100MHz] | Inter-winding stray capacitance (pF)max.[100kHz] |
|-----------------|---------------------------------------|---|---|--|
| TLA-6T103LF(-T) | 1CT:1CT | 350 | 1 | 25 |
| | 1CT:1CT | 350 | 1 | 25 |

- Ta=25°C

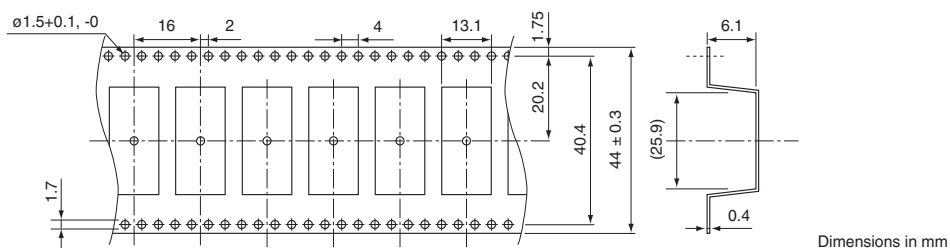
• Conformity to RoHS Directive: This means that, in conformity with EU Directive 2002/95/EC, lead, cadmium, mercury, hexavalent chromium, and specific bromine-based flame retardants, PBB and PBDE, have not been used, except for exempted applications.

• All specifications are subject to change without notice.

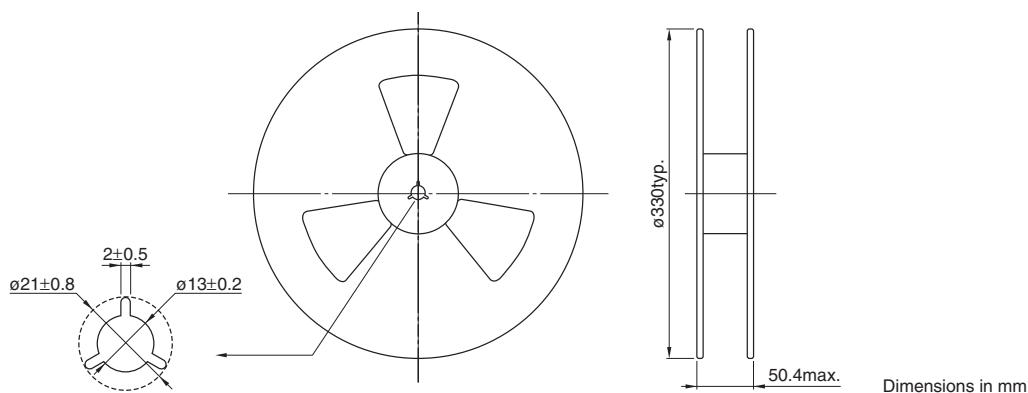
PACKAGING STYLES

Quantity : 600pieces/reel

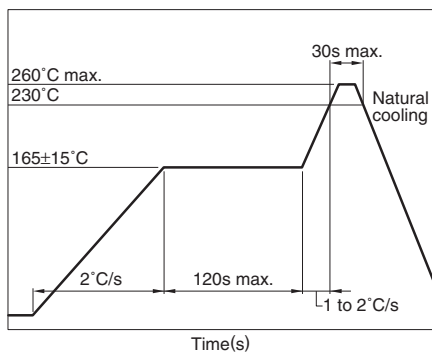
TAPE DIMENSIONS



REEL DIMENSIONS



RECOMMENDED SOLDERING CONDITION REFLOW SOLDERING



- Temperature is measured at the terminal portion of product (Using thermocoupler for measurement).
- This profile is reference data we recommend. Please check in your actual process.
- For reliable soldering, the thickness of solder paste screen should be over the terminal co-planality.
- The cutted end of terminal has no plating(out of subject of solder ability).

RECOMMENDED CONDITION FOR LONG TERM STORE

When it stores for a long term, please avoid place of high temperature and high humidity. Recommend that it uses after the delivery within 1year.

Temperature range: +5 to +30°C

Humidity: 60(%)RH max.

TLA-6T118LF/119LF/120LF/121LF/122LF(-T) ISO8802.3(IEEE802.3) 10/100BASE-TX

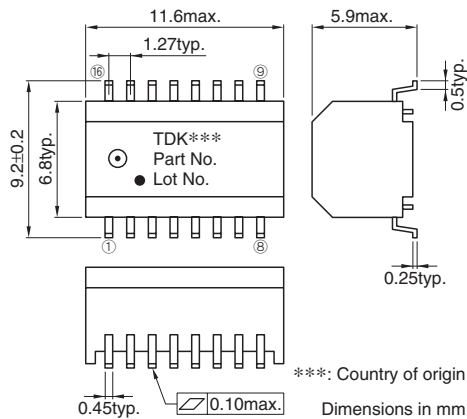
FEATURES

- Product conforming to RoHS directive.
- Can be mounted with lead-free solder (260°C max.).
- 16-pin SMD package(1.27mm=50mil pin pitch).
- Excellent common mode noise suppression.
- Inductance is 350μH or greater (f=100kHz, DC bias=8mA).
- Using the high-quality and wide-band ferrite cores for LAN.
- Packaging specification is taping and bulk(TLA-6T1 □□LF-T: Tape and reel, TLA-6T1 □□LF: Bulk).

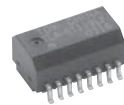
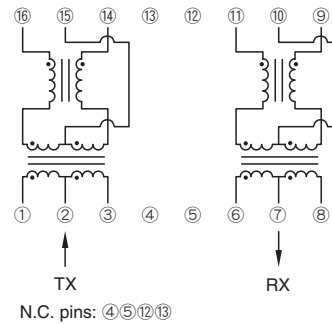
GENERAL SPECIFICATIONS

| | | |
|----------------------|-----------------|--------------|
| Pulse transformer | 2 | |
| Common-mode choke | 2 | |
| Port | 1 | |
| Temperature ranges | Operating | 0 to +70°C |
| | Storage | -40 to +85°C |
| Withstanding voltage | Erms:1500V[60s] | |

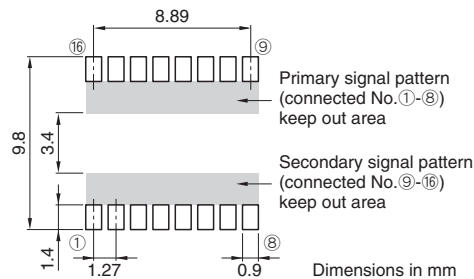
SHAPES AND DIMENSIONS



CIRCUIT DIAGRAM



RECOMMENDED PC BOARD PATTERN



ELECTRICAL CHARACTERISTICS

| Part No. | Turns ratio ①②③ : ⑬⑭⑯⑰ ⑥⑦⑧ : ⑩⑪⑫⑬ | Inductance (μH)min. [DC bias 8mA, 100kHz] ⑬-⑭ ⑩-⑪ | Insertion loss (dB)max. [0.1 to 100MHz] ①③-⑬⑭ ⑩⑨-⑥⑧ | Inter-winding stray capacitance (pF)max.[100kHz] ①③-⑬⑭ ⑥⑧-⑩⑨ |
|-----------------|---|---|---|--|
| TLA-6T118LF(-T) | 1CT:1CT | 350 | 1 | 25 |
| TLA-6T119LF(-T) | 1.41CT:1CT | 350 | 2 | 25 |
| TLA-6T120LF(-T) | 1CT:1CT | 350 | 1 | 25 |
| TLA-6T121LF(-T) | 2CT:1CT | 350 | 3.5 | 25 |
| TLA-6T122LF(-T) | 1CT:1CT | 350 | 1 | 25 |
| TLA-6T121LF(-T) | 1CT:1.41CT | 350 | 2.5 | 25 |
| TLA-6T122LF(-T) | 1CT:1CT | 350 | 1 | 25 |
| TLA-6T122LF(-T) | 1.25CT:1CT | 350 | 2 | 25 |
| TLA-6T122LF(-T) | 1CT:1CT | 350 | 1 | 25 |

- Ta=25°C

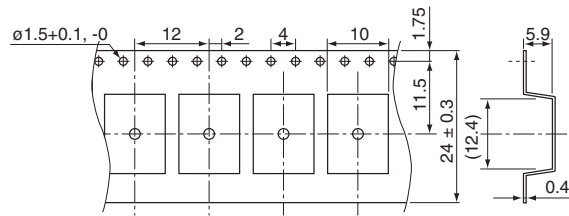
- Conformity to RoHS Directive: This means that, in conformity with EU Directive 2002/95/EC, lead, cadmium, mercury, hexavalent chromium, and specific bromine-based flame retardants, PBB and PBDE, have not been used, except for exempted applications.

- All specifications are subject to change without notice.

PACKAGING STYLES

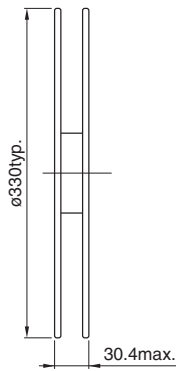
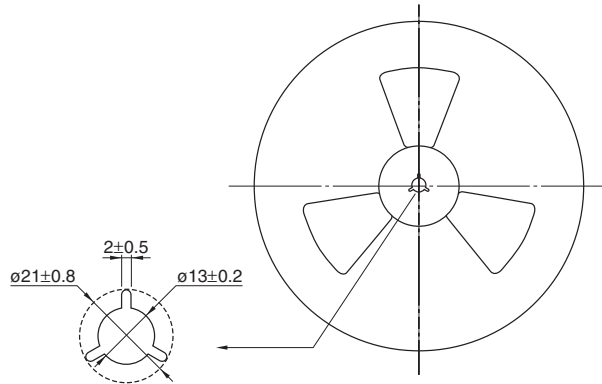
Quantity : 1000pieces/reel

TAPE DIMENSIONS



Dimensions in mm

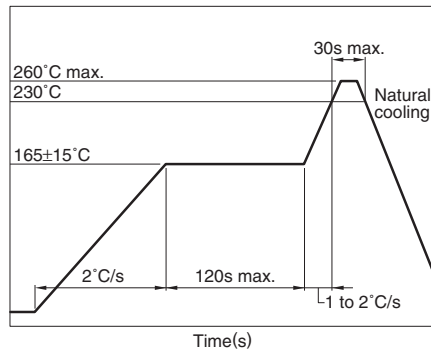
REEL DIMENSIONS



Dimensions in mm

RECOMMENDED SOLDERING CONDITION

REFLOW SOLDERING



RECOMMENDED CONDITION FOR LONG TERM STORE

When it stores for a long term, please avoid place of high temperature and high humidity. Recommend that it uses after the delivery within 1year.

Temperature range: +5 to +30°C

Humidity: 60(%)RH max.

- Temperature is measured at the terminal portion of product (Using thermocoupler for measurement).
- This profile is reference data we recommend. Please check in your actual process.
- For reliable soldering, the thickness of solder paste screen should be over the terminal co-planality.
- The cutted end of terminal has no plating(out of subject of solder ability).

TLA-6T127LF(-T) ISO8802.3(IEEE802.3) 10/100BASE-TX, POWER OVER ETHERNET

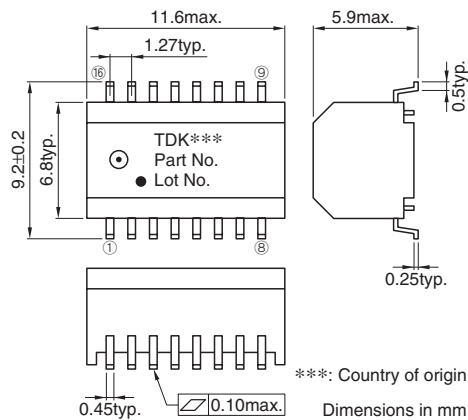
FEATURES

- Product conforming to RoHS directive.
- Can be mounted with lead-free solder (260°C max.).
- 16-pin SMD package(1.27mm=50mil pin pitch).
- Inductance is 350μH or greater (f=100kHz, DC bias=8mA).
- Allowable current is 350mA max.
- Excellent common mode noise suppression under the power transmission.
- Packaging specification is taping and bulk(TLA-6T127LF-T: Tape and reel, TLA-6T127LF: Bulk).

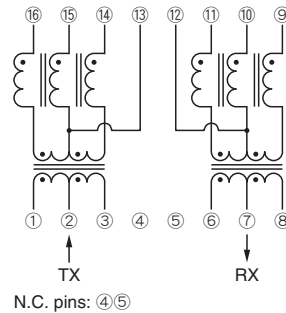
GENERAL SPECIFICATIONS

| | | |
|----------------------|-----------------|--------------|
| Pulse transformer | 2 | |
| Common-mode choke | 2 | |
| Port | 1 | |
| Temperature ranges | Operating | 0 to +70°C |
| | Storage | -40 to +85°C |
| Withstanding voltage | Erms:1500V[60s] | |

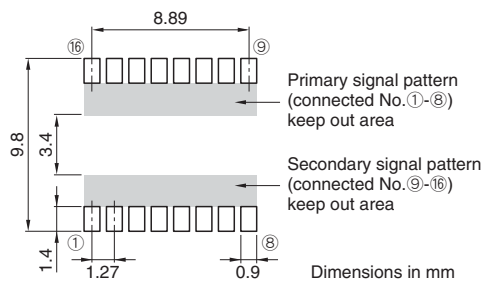
SHAPES AND DIMENSIONS



CIRCUIT DIAGRAM



RECOMMENDED PC BOARD PATTERN



ELECTRICAL CHARACTERISTICS

| Part No. | Turns ratio ①②③ : ⑯⑮⑭ ⑥⑦⑧ : ⑪⑩⑨ | Inductance (μH)min. [DC bias 8mA, 100kHz] ⑯-⑭ ⑪-⑨ | Insertion loss (dB)max. [0.1 to 100MHz] ①③-⑯⑭ ⑪⑨-⑥⑧ | Inter-winding stray capacitance (pF)max.[100kHz] ①③-⑯⑭ ⑥⑧-⑪⑨ |
|-----------------|---------------------------------------|---|---|--|
| TLA-6T127LF(-T) | 1CT:1CT 1CT:1CT | 350 350 | 1 1 | 25 25 |

- Ta=25°C

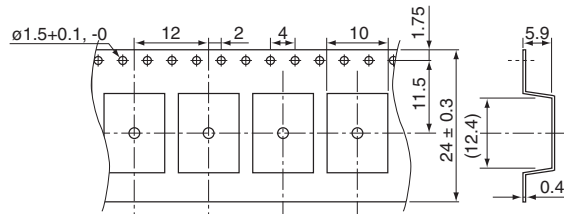
- Conformity to RoHS Directive: This means that, in conformity with EU Directive 2002/95/EC, lead, cadmium, mercury, hexavalent chromium, and specific bromine-based flame retardants, PBB and PBDE, have not been used, except for exempted applications.

- All specifications are subject to change without notice.

PACKAGING STYLES

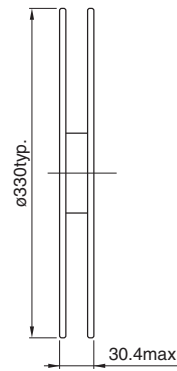
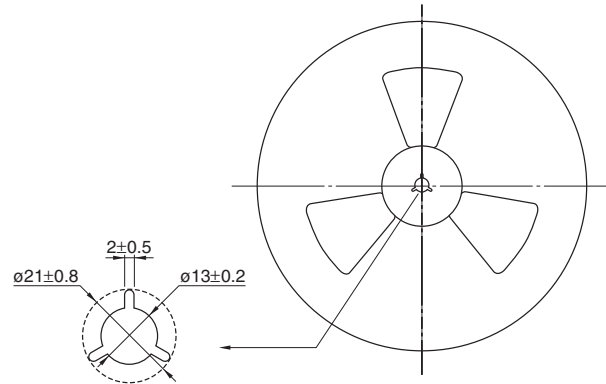
Quantity : 1000pieces/reel

TAPE DIMENSIONS



Dimensions in mm

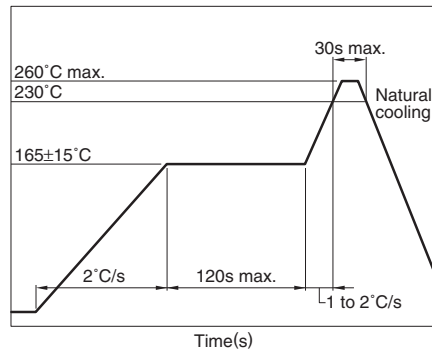
REEL DIMENSIONS



Dimensions in mm

RECOMMENDED SOLDERING CONDITION

REFLOW SOLDERING



RECOMMENDED CONDITION FOR LONG TERM STORE

When it stores for a long term, please avoid place of high temperature and high humidity. Recommend that it uses after the delivery within 1year.

Temperature range: +5 to +30°C

Humidity: 60(%)RH max.

- Temperature is measured at the terminal portion of product (Using thermocoupler for measurement).
- This profile is reference data we recommend. Please check in your actual process.
- For reliable soldering, the thickness of solder paste screen should be over the terminal co-planality.
- The cutted end of terminal has no plating(out of subject of solder ability).

TLA-6T133WLF(-T) ISO8802.3(IEEE802.3) 10/100BASE-TX

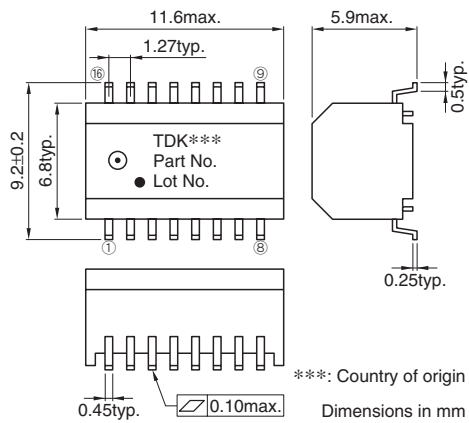
FEATURES

- Can be used in the wide range of temperature(−40 to +85°C).
- Product conforming to RoHS directive.
- Can be mounted with lead-free solder (260°C max.).
- 16-pin SMD package(1.27mm=50mil pin pitch).
- Excellent common mode noise suppression.
- Inductance is 350μH or greater (f=100kHz, DC bias=8mA).
- Using the high-quality and wide-band ferrite cores for LAN.
- Packaging specification is taping and bulk(TLA-6T133WLF-T: Tape and reel, TLA-6T133WLF: Bulk).

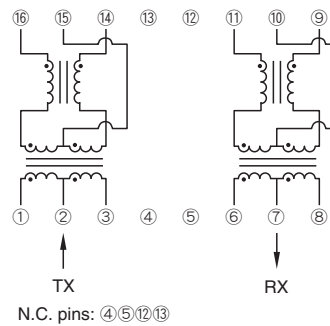
GENERAL SPECIFICATIONS

| | | |
|----------------------|-----------------|--------------|
| Pulse transformer | 2 | |
| Common-mode choke | 2 | |
| Port | 1 | |
| Temperature ranges | Operating | −40 to +85°C |
| | Storage | −40 to +85°C |
| Withstanding voltage | Erms:1500V[60s] | |

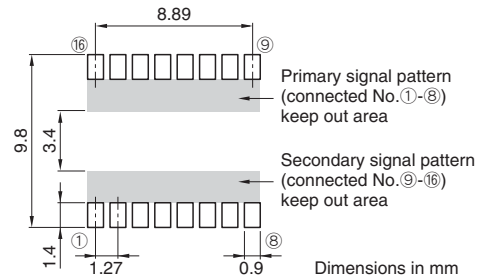
SHAPES AND DIMENSIONS



CIRCUIT DIAGRAM



RECOMMENDED PC BOARD PATTERN



ELECTRICAL CHARACTERISTICS

| Part No. | Turns ratio ①②③ : ⑩⑨⑧⑦ ⑥⑤④ : ③②①⑦⑧⑨⑩ | Inductance (μH)min. [DC bias 8mA, 100kHz] ⑩-④ ①⑦-⑧ | Insertion loss (dB)max. [0.1 to 100MHz] ①③-⑩④ ①⑦⑨-⑥⑧ | Inter-winding stray capacitance (pF)max.[100kHz] ①③-⑩④ ⑥⑧-①⑦⑨ |
|------------------|--|--|--|---|
| TLA-6T133WLF(-T) | 1CT:1CT 1CT:1CT | 350 350 | 1 1 | 25 25 |

- Ta=25°C

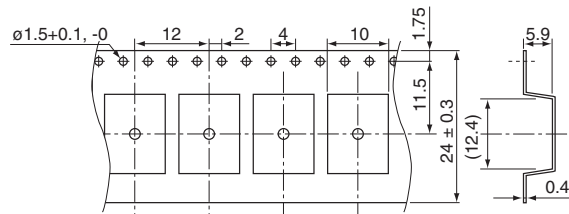
- Conformity to RoHS Directive: This means that, in conformity with EU Directive 2002/95/EC, lead, cadmium, mercury, hexavalent chromium, and specific bromine-based flame retardants, PBB and PBDE, have not been used, except for exempted applications.

- All specifications are subject to change without notice.

PACKAGING STYLES

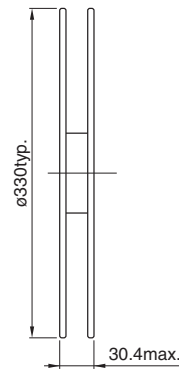
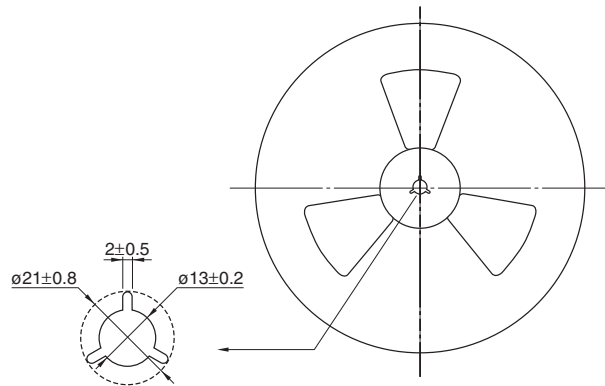
Quantity : 1000pieces/reel

TAPE DIMENSIONS



Dimensions in mm

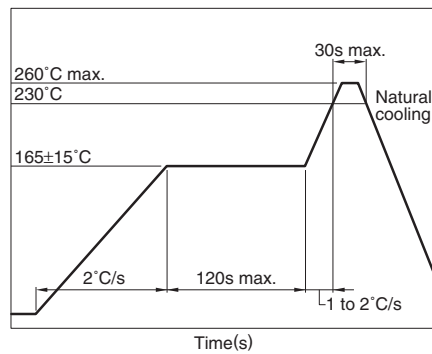
REEL DIMENSIONS



Dimensions in mm

RECOMMENDED SOLDERING CONDITION

REFLOW SOLDERING



RECOMMENDED CONDITION FOR LONG TERM STORE

When it stores for a long term, please avoid place of high temperature and high humidity. Recommend that it uses after the delivery within 1year.

Temperature range: +5 to +30°C

Humidity: 60(%)RH max.

- Temperature is measured at the terminal portion of product (Using thermocoupler for measurement).
- This profile is reference data we recommend. Please check in your actual process.
- For reliable soldering, the thickness of solder paste screen should be over the terminal co-planality.
- The cutted end of terminal has no plating(out of subject of solder ability).

TLA-6T214ALF(-T) ISO8802.3(IEEE802.3) 10/100/1000BASE-T

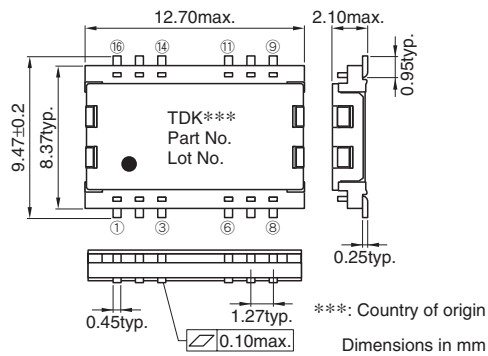
FEATURES

- Product conforming to RoHS directive.
- Can be mounted with lead-free solder (260°C max.).
- 16-pin SMD package(1.27mm=50mil pin pitch).
- Low profile (H)2.1mm max. for note PC application.
- Excellent common mode noise suppression.
- Inductance is 350μH or greater (f=100kHz, DC bias=8mA).
- Using the high-quality and wide-band ferrite cores for LAN.
- Packaging specification is taping and bulk(TLA-6T214ALF-T: Tape and reel, TLA-6T214ALF: Bulk).

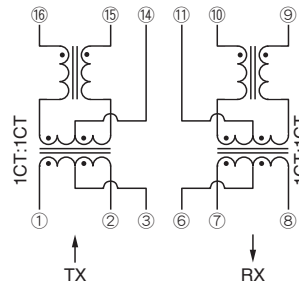
GENERAL SPECIFICATIONS

| | | |
|----------------------|-----------|-----------------|
| Pulse transformer | | 2 |
| Common-mode choke | | 2 |
| Port | | 1 |
| Temperature ranges | Operating | 0 to +70°C |
| | Storage | -40 to +85°C |
| Withstanding voltage | | Erms:1500V[60s] |

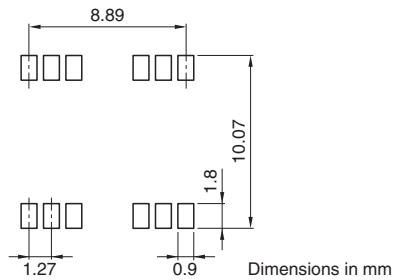
SHAPES AND DIMENSIONS



CIRCUIT DIAGRAM



RECOMMENDED PC BOARD PATTERN



ELECTRICAL CHARACTERISTICS

| Part No. | Turns ratio ①③②:⑩⑭⑮ ⑦⑥⑧:⑩⑪⑨ | Inductance (μH)min. [DC bias 8mA, 100kHz] ⑩-⑮ ⑩-⑨ | Insertion loss (dB)max. [0.1 to 125MHz] ①②-⑩⑮ ⑩⑨-⑦⑧ | Inter-winding stray capacitance (pF)max.[100kHz] ①②-⑩⑮ ⑩⑨-⑦⑧ |
|------------------|-----------------------------------|---|---|--|
| TLA-6T214ALF(-T) | 1CT:1CT | 350 | 1 | 25 |
| | 1CT:1CT | 350 | 1 | 25 |

- Ta=25°C

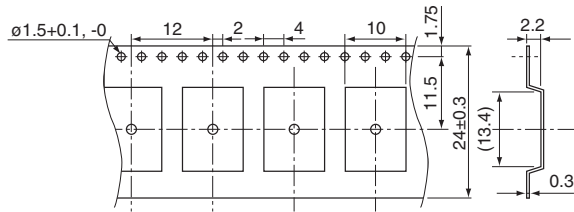
- Conformity to RoHS Directive: This means that, in conformity with EU Directive 2002/95/EC, lead, cadmium, mercury, hexavalent chromium, and specific bromine-based flame retardants, PBB and PBDE, have not been used, except for exempted applications.

- All specifications are subject to change without notice.

PACKAGING STYLES

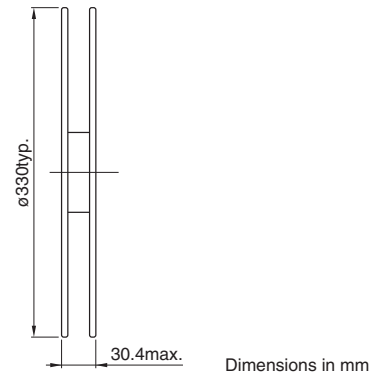
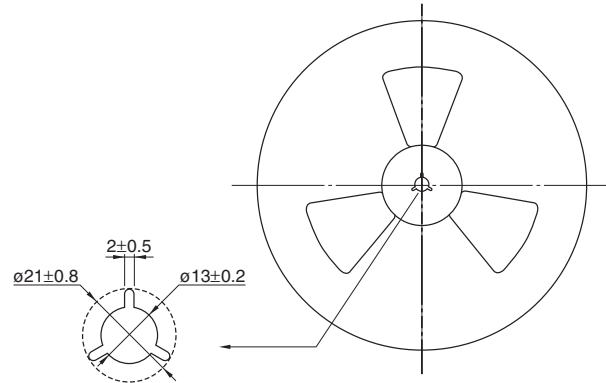
Quantity : 1500pieces/reel

TAPE DIMENSIONS



Dimensions in mm

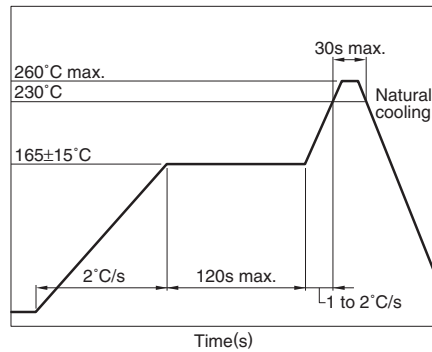
REEL DIMENSIONS



Dimensions in mm

RECOMMENDED SOLDERING CONDITION

REFLOW SOLDERING



- Temperature is measured at the terminal portion of product (Using thermocoupler for measurement).
- This profile is reference data we recommend. Please check in your actual process.
- For reliable soldering, the thickness of solder paste screen should be over the terminal co-planality.
- The cutted end of terminal has no plating(out of subject of solder ability).

RECOMMENDED STORE CONDITION

The product is packaged by Anti-humid Al bag, in order to keep a good solder ability condition and resistance to soldering heat for products.

- Before aluminum bag opening
 - Temperature range: +5 to +40°C
 - Humidity: 90(%)RH max.
 - Storage period: 1year
- After aluminum bag opening
 - Temperature range: +5 to +30°C
 - Humidity: 60(%)RH max.
 - Storage period: 1week

TLA-6T213LF(-T) ISO8802.3(IEEE802.3) 10/100/1000BASE-T

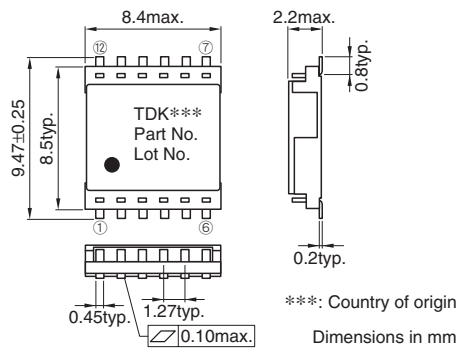
FEATURES

- Product conforming to RoHS directive.
- Can be mounted with lead-free solder (260°C max.).
- 12-pin SMD package(1.27mm=50mil pin pitch).
- Because it is low profile design of 2.2mm max., space saving is possible and is suitable for notebook PC.
- Excellent common mode noise suppression.
- Inductance is 350μH or greater (f=100kHz, DC bias=8mA).
- Using the high-quality and wide-band ferrite cores for LAN.
- Packaging specification is taping and bulk(TLA-6T213LF-T: Tape and reel, TLA-6T213LF: Bulk).

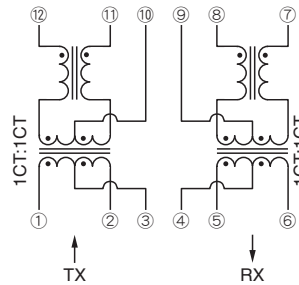
GENERAL SPECIFICATIONS

| | | |
|----------------------|-----------------|--------------|
| Pulse transformer | 2 | |
| Common-mode choke | 2 | |
| Port | 1 | |
| Temperature ranges | Operating | 0 to +70°C |
| | Storage | -40 to +85°C |
| Withstanding voltage | Erms:1500V[60s] | |

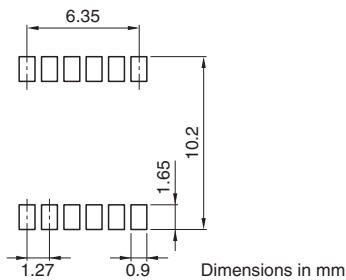
SHAPES AND DIMENSIONS



CIRCUIT DIAGRAM



RECOMMENDED PC BOARD PATTERN



ELECTRICAL CHARACTERISTICS

| Part No. | Turns ratio ①③②:⑫⑩⑪ ⑤④⑥:⑧⑨⑦ | Inductance (μH)min. [DC bias 8mA, 100kHz] ⑫-⑪ ⑧-⑦ | Insertion loss (dB)max. [0.1 to 100MHz] ①②-⑫⑪ ⑧⑦-⑤⑥ | Inter-winding stray capacitance (pF)max.[100kHz] ①②-⑫⑪ ⑧⑦-⑤⑥ |
|-----------------|-----------------------------------|---|---|--|
| TLA-6T213LF(-T) | 1CT:1CT | 350 | 1 | 25 |

- Ta=25°C

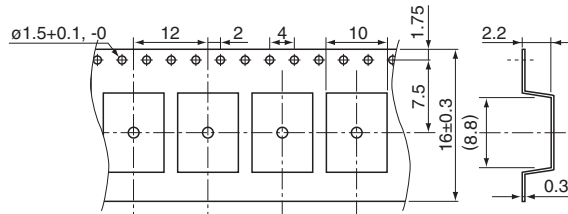
• Conformity to RoHS Directive: This means that, in conformity with EU Directive 2002/95/EC, lead, cadmium, mercury, hexavalent chromium, and specific bromine-based flame retardants, PBB and PBDE, have not been used, except for exempted applications.

• All specifications are subject to change without notice.

PACKAGING STYLES

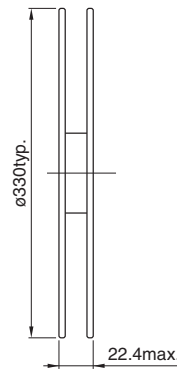
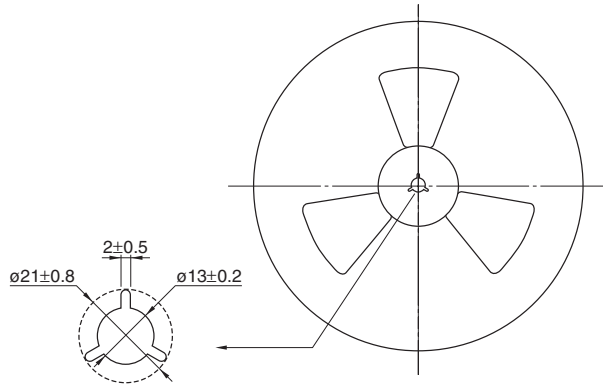
Quantity : 1500pieces/reel

TAPE DIMENSIONS



Dimensions in mm

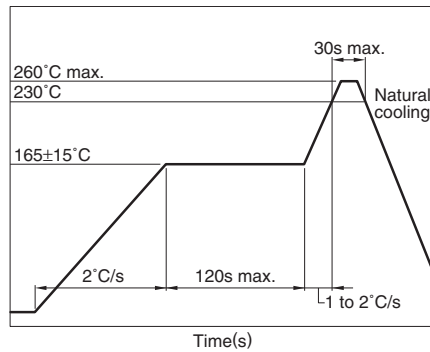
REEL DIMENSIONS



Dimensions in mm

RECOMMENDED SOLDERING CONDITION

REFLOW SOLDERING



- Temperature is measured at the terminal portion of product (Using thermocoupler for measurement).
- This profile is reference data we recommend. Please check in your actual process.
- For reliable soldering, the thickness of solder paste screen should be over the terminal co-planality.
- The cutted end of terminal has no plating(out of subject of solder ability).

RECOMMENDED STORE CONDITION

The product is packaged by Anti-humid Al bag, in order to keep a good solder ability condition and resistance to soldering heat for products.

- Before aluminum bag opening
 - Temperature range: +5 to +40°C
 - Humidity: 90(%)RH max.
 - Storage period: 1year
- After aluminum bag opening
 - Temperature range: +5 to +30°C
 - Humidity: 60(%)RH max.
 - Storage period: 1week

TLA-7T201LF(-T) ISO8802.3(IEEE802.3) 10/100/1000BASE-T

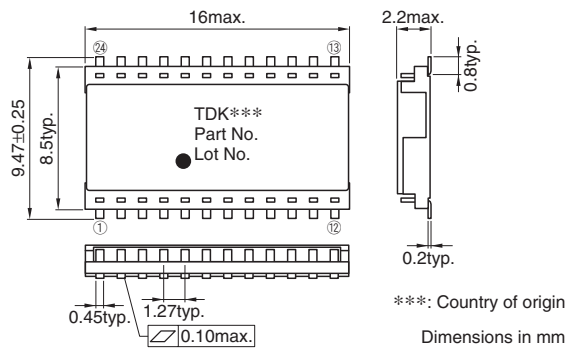
FEATURES

- Product conforming to RoHS directive.
- Can be mounted with lead-free solder (260°C max.).
- 24-pin SMD package(1.27mm=50mil pin pitch).
- Because it is low profile design of 2.2mm max., space saving is possible and is suitable for notebook PC.
- Excellent common mode noise suppression.
- Inductance is 350 μ H or greater (f=100kHz, DC bias=8mA).
- Using the high-quality and wide-band ferrite cores for LAN.
- Packaging specification is taping and bulk(TLA-7T201LF-T: Tape and reel, TLA-7T201LF: Bulk).

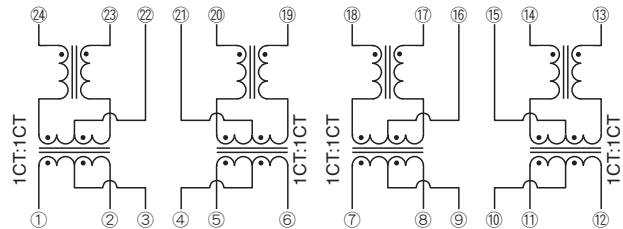
GENERAL SPECIFICATIONS

| | | |
|----------------------|-----------------|--------------|
| Pulse transformer | 4 | |
| Common-mode choke | 4 | |
| Port | 1[1000BASE-T] | |
| Temperature ranges | Operating | 0 to +70°C |
| | Storage | -40 to +85°C |
| Withstanding voltage | Erms:1500V[60s] | |

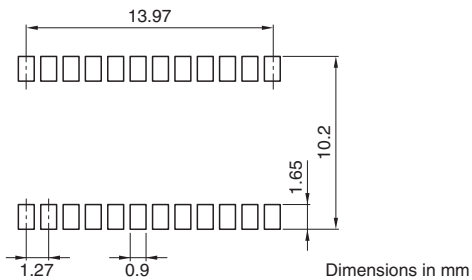
SHAPES AND DIMENSIONS



CIRCUIT DIAGRAM



RECOMMENDED PC BOARD PATTERN



ELECTRICAL CHARACTERISTICS

| Part No. | Turns ratio | Inductance (μ H)min. [DC bias 8mA, 100kHz] | Insertion loss (dB)max. [0.1 to 100MHz] | Inter-winding stray capacitance (pF)max.[100kHz] |
|-----------------|---|---|---|--|
| | ①③②:②④②③ ⑤④⑥:②①①⑨ ⑦⑨⑧:①⑧①⑦ ⑪⑩⑫:①④①⑤⑬ | ②④-②③ ②①-①⑨ ①⑧-①⑦ ①④-①③ | ①②-②④③ ⑤⑥-②①⑨ ⑦⑧-①⑧①⑦ ⑪⑫-①④⑬ | ①②-②④③ ⑤⑥-②①⑨ ⑦⑧-①⑧①⑦ ⑪⑫-①④⑬ |
| TLA-7T201LF(-T) | 1CT:1CT | 350 | 1 | 25 |

- Ta=25°C

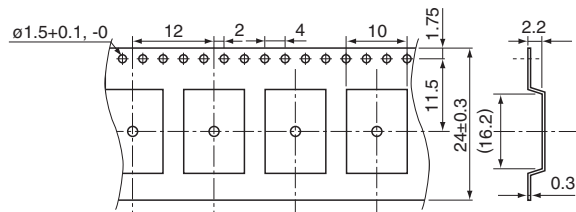
• Conformity to RoHS Directive: This means that, in conformity with EU Directive 2002/95/EC, lead, cadmium, mercury, hexavalent chromium, and specific bromine-based flame retardants, PBB and PBDE, have not been used, except for exempted applications.

• All specifications are subject to change without notice.

PACKAGING STYLES

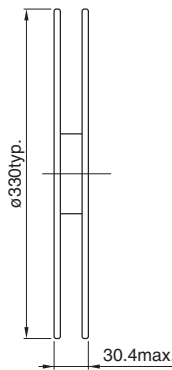
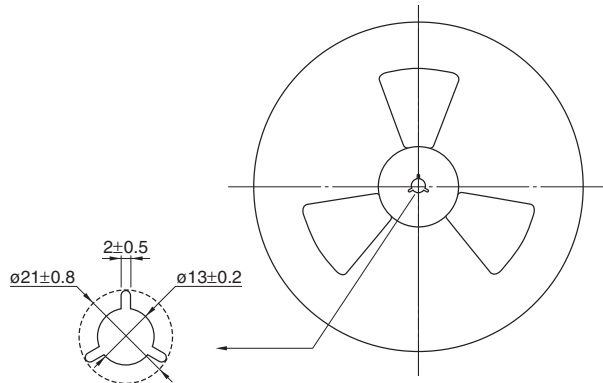
Quantity : 1500pieces/reel

TAPE DIMENSIONS



Dimensions in mm

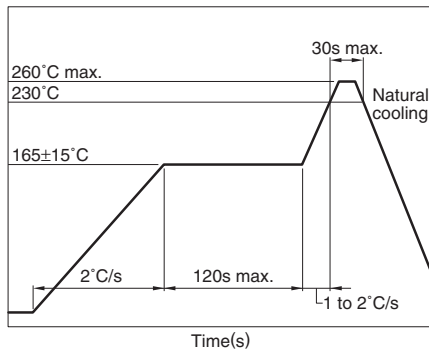
REEL DIMENSIONS



Dimensions in mm

RECOMMENDED SOLDERING CONDITION

REFLOW SOLDERING



- Temperature is measured at the terminal portion of product (Using thermocoupler for measurement).
- This profile is reference data we recommend. Please check in your actual process.
- For reliable soldering, the thickness of solder paste screen should be over the terminal co-planality.
- The cutted end of terminal has no plating(out of subject of solder ability).

RECOMMENDED STORE CONDITION

The product is packaged by Anti-humid Al bag, in order to keep a good solder ability condition and resistance to soldering heat for products.

- Before aluminum bag opening
Temperature range: +5 to +40°C
Humidity: 90(%)RH max.
Storage period: 1year
- After aluminum bag opening
Temperature range: +5 to +30°C
Humidity: 60(%)RH max.
Storage period: 1week

TLA-6T406(-T) ISO8802.3(IEEE802.3) 10/100BASE-TX

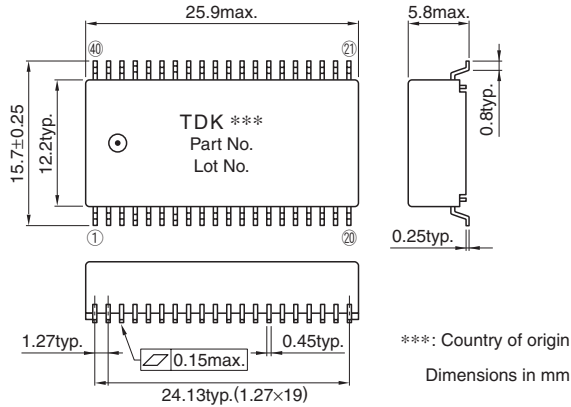
FEATURES

- Product conforming to RoHS directive.
- Can be mounted with lead-free solder (250°C max.).
- 40-pin SMD package(1.27mm=50mil pin pitch) for Quad port.
- Excellent common-mode noise suppression.
- Inductance is 350μH or greater (f=100kHz, DC bias=8mA).
- Using the high-quality and wide-band ferrite cores for LAN.
- Packaging specification is taping and bulk(TLA-6T406-T: Tape and reel, TLA-6T406: Bulk).

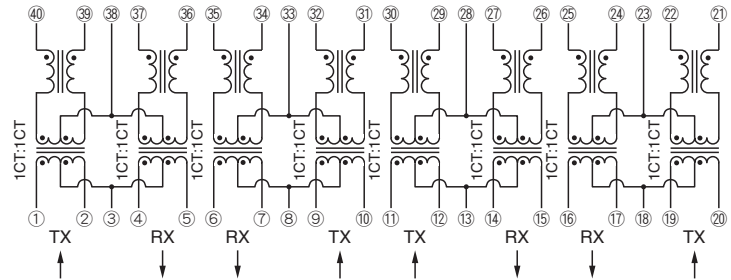
GENERAL SPECIFICATIONS

| | | |
|----------------------|-----------------|--------------|
| Pulse transformer | 8 | |
| Common-mode choke | 8 | |
| Port | 4 | |
| Temperature ranges | Operating | 0 to +70°C |
| | Storage | -40 to +85°C |
| Withstanding voltage | Erms:1500V[60s] | |

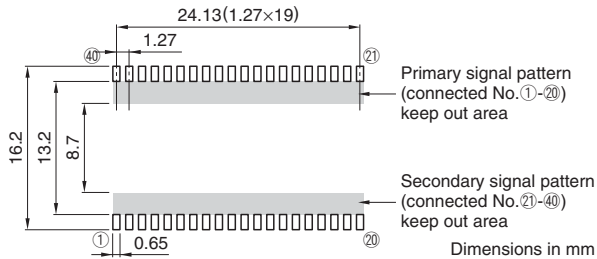
SHAPES AND DIMENSIONS



CIRCUIT DIAGRAM



RECOMMENDED PC BOARD PATTERN



ELECTRICAL CHARACTERISTICS

| Part No. | Turns ratio ①③②:④③③③..... ④③⑤:③③③③..... | Inductance (μH)min. [DC bias 8mA, 100kHz] | Insertion loss (dB)max. [0.1 to 100MHz] | Inter-winding stray capacitance (pF)max.[100kHz] |
|---------------|---|---|---|--|
| TLA-6T406(-T) | 1CT:1CT 1CT:1CT | 350 350 | 1 1 | 40 40 |

- Ta=25°C

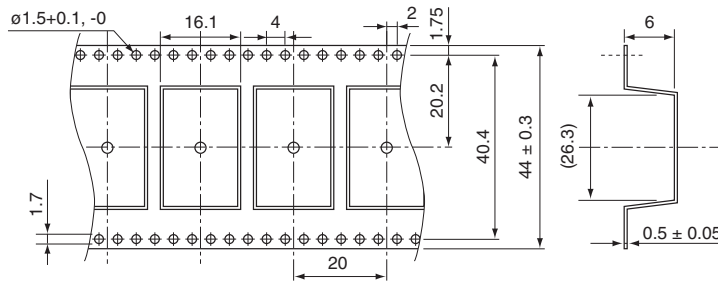
- Conformity to RoHS Directive: This means that, in conformity with EU Directive 2002/95/EC, lead, cadmium, mercury, hexavalent chromium, and specific bromine-based flame retardants, PBB and PBDE, have not been used, except for exempted applications.

- All specifications are subject to change without notice.

PACKAGING STYLES

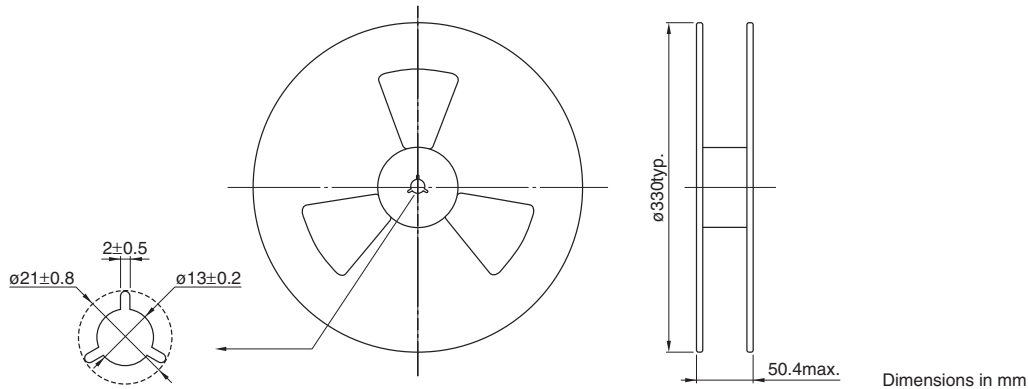
Quantity : 500pieces/reel

TAPE DIMENSIONS



Dimensions in mm

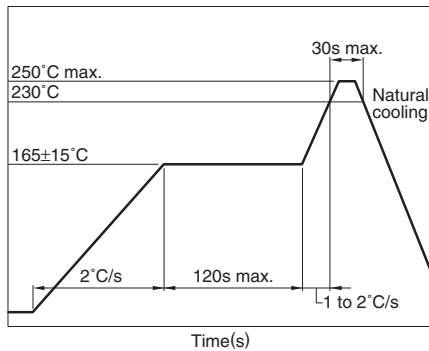
REEL DIMENSIONS



Dimensions in mm

RECOMMENDED SOLDERING CONDITION

REFLOW SOLDERING



- Temperature is measured at the terminal portion of product (Using thermocoupler for measurement).
- This profile is reference data we recommend. Please check in your actual process.
- For reliable soldering, the thickness of solder paste screen should be over the terminal co-planality.
- The cutted end of terminal has no plating(out of subject of solder ability).

RECOMMENDED STORE CONDITION

The product is packaged by Anti-humid Al bag, in order to keep a good solder ability condition and resistance to soldering heat for products.

- Before aluminum bag opening
 - Temperature range: +5 to +40°C
 - Humidity: 90(%)RH max.
 - Storage period: 1 year
- After aluminum bag opening
 - Temperature range: +5 to +30°C
 - Humidity: 60(%)RH max.
 - Storage period: 1 week

TLA-7T101LF(-T) ISO8802.3(IEEE802.3) 10/100/1000BASE-T

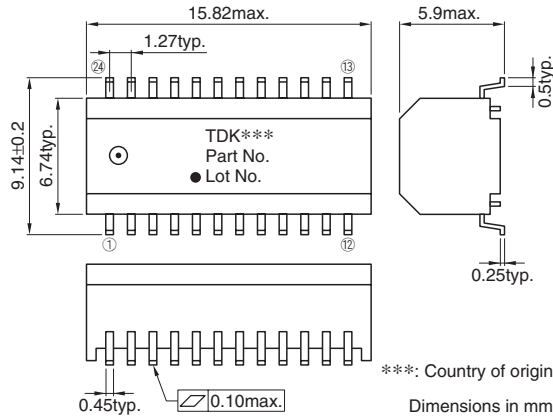
FEATURES

- Product conforming to RoHS directive.
- Can be mounted with lead-free solder (260°C max.).
- 24-pin SMD package(1.27mm=50mil pin pitch).
- Excellent common-mode noise suppression.
- Inductance is 350 μ H or greater (f=100kHz, DC bias=8mA).
- Using the high-quality and wide-band ferrite cores for LAN.
- Packaging specification is taping and bulk(TLA-7T101LF-T: Tape and reel, TLA-7T101LF: Bulk).

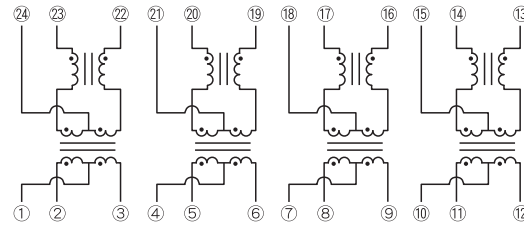
GENERAL SPECIFICATIONS

| | | |
|----------------------|-----------------|--------------|
| Pulse transformer | 4 | |
| Common-mode choke | 4 | |
| Port | 1(1000BASE-T) | |
| Temperature ranges | Operating | -40 to +85°C |
| | Storage | -40 to +85°C |
| Withstanding voltage | Erms:1500V[60s] | |

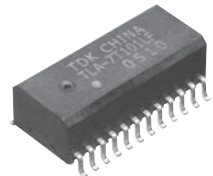
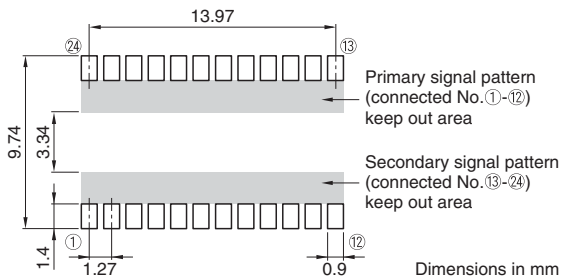
SHAPES AND DIMENSIONS



CIRCUIT DIAGRAM



RECOMMENDED PC BOARD PATTERN



ELECTRICAL CHARACTERISTICS

| Part No. | Turns ratio | Inductance (μ H)min. [DC bias 8mA, 100kHz] | Insertion loss (dB)max. [0.1 to 100MHz] | Inter-winding stray capacitance (pF)max.[100kHz] |
|-----------------|-------------|---|---|--|
| | ②①③ : ⑳⑳②② | ⑳⑳②② | ②③-⑳⑳②② | ②③-⑳⑳②② |
| | ⑤④⑥ : ⑳②①①⑨ | ⑳①⑨ | ⑤⑥-⑳①⑨ | ⑤⑥-⑳①⑨ |
| | ⑧⑦⑨ : ⑰⑱⑱⑱ | ⑰⑱⑱⑱ | ⑧⑨-⑰⑱⑱⑱ | ⑧⑨-⑰⑱⑱⑱ |
| | ⑪⑩⑫ : ⑭⑮⑮⑮ | ⑭⑱⑱⑱ | ⑪⑫-⑭⑱⑱⑱ | ⑪⑫-⑭⑱⑱⑱ |
| TLA-7T101LF(-T) | 1CT:1CT | 350 | 1 | 25 |

- Ta=25°C

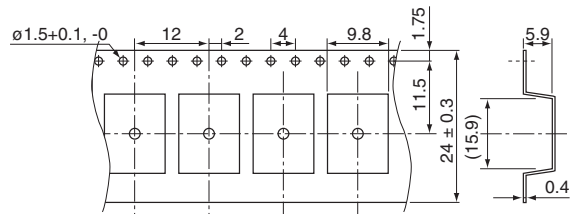
- Conformity to RoHS Directive: This means that, in conformity with EU Directive 2002/95/EC, lead, cadmium, mercury, hexavalent chromium, and specific bromine-based flame retardants, PBB and PBDE, have not been used, except for exempted applications.

- All specifications are subject to change without notice.

PACKAGING STYLES

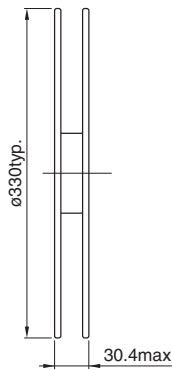
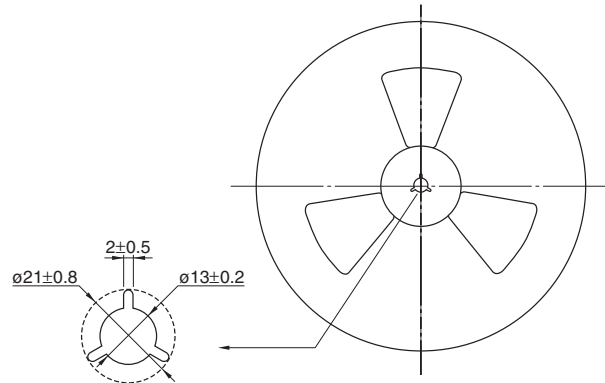
Quantity : 1000pieces/reel

TAPE DIMENSIONS



Dimensions in mm

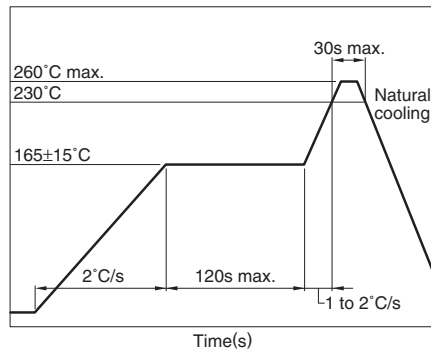
REEL DIMENSIONS



Dimensions in mm

RECOMMENDED SOLDERING CONDITION

REFLOW SOLDERING



- Temperature is measured at the terminal portion of product (Using thermocoupler for measurement).
- This profile is reference data we recommend. Please check in your actual process.
- For reliable soldering, the thickness of solder paste screen should be over the terminal co-planality.
- The cutted end of terminal has no plating(out of subject of solder ability).

RECOMMENDED CONDITION FOR LONG TERM STORE

When it stores for a long term, please avoid place of high temperature and high humidity. Recommend that it uses after the delivery within 1year.

Temperature range: +5 to +30°C

Humidity: 60(%)RH max.

Pulse Transformers/Connector Type

TLA-6T776F ISO8802.3(IEEE802.3) 10/100BASE-TX

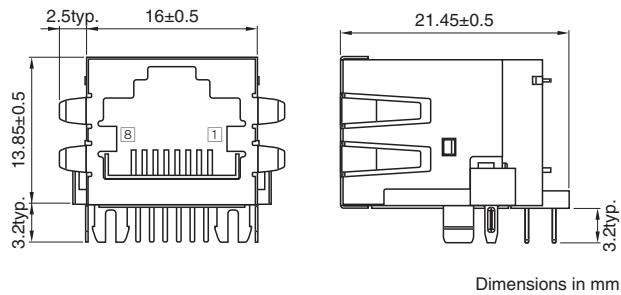
FEATURES

- Product conforming to RoHS directive.
- Pulse transformer, common mode choke, resistor and high with-standing voltage capacitor are integrated into RJ-45 modular jack.
- Excellent common mode noise suppression.
- Inductance is 200 μ H or greater (f=100kHz, DC bias=8mA).
- The product features high quality, containing a self-winding surface-mount pulse transformer and common mode choke.

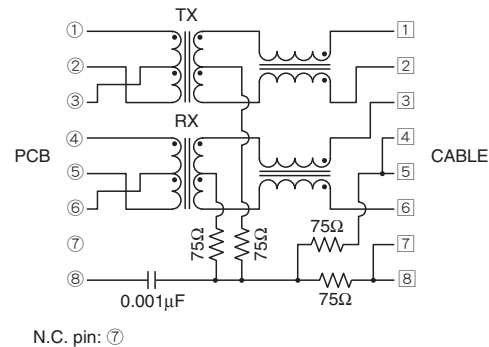
GENERAL SPECIFICATIONS

| | | |
|--------------------|-----------|--------------|
| Pulse transformer | 2 | |
| Common-mode choke | 2 | |
| Port | 1 | |
| Temperature ranges | Operating | -40 to +85°C |
| | Storage | -40 to +85°C |

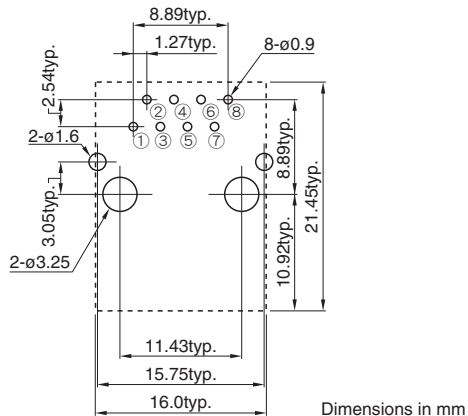
SHAPES AND DIMENSIONS



CIRCUIT DIAGRAM



RECOMMENDED PC BOARD PATTERN



ELECTRICAL CHARACTERISTICS

| Part No. | Turns ratio ①③②:①② ④⑥⑤:③⑥ | Inductance (μ H)min. [DC bias 8mA, 100kHz] ①-② ③-⑥ | Insertion loss (dB)max. [0.1 to 100MHz] ①②-①② ③⑥-④⑤ |
|------------|---------------------------------|---|---|
| TLA-6T776F | 1CT:1 1CT:1 | 200 200 | 1.5 1.5 |

- Ta=25°C

- Conformity to RoHS Directive: This means that, in conformity with EU Directive 2002/95/EC, lead, cadmium, mercury, hexavalent chromium, and specific bromine-based flame retardants, PBB and PBDE, have not been used, except for exempted applications.

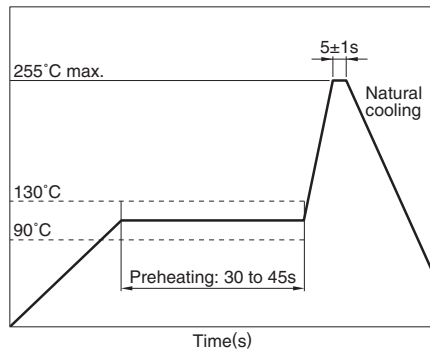
- All specifications are subject to change without notice.

PACKAGING STYLES

Tray : 360pieces/box

RECOMMENDED SOLDERING CONDITION

FLOW SOLDERING



Preheating: 90 to 130°C for 30 to 45 seconds.

Soldering: 255°C max. 5±1 seconds

- Perform flow soldering from the underside of the board.
- The surface of plastic protrusions inserted into the board may melt, but this causes no problems with regard to electrical properties or mounting.
- The cutted end of terminal has no plating(out of subject of solder ability).

RECOMMENDED CONDITION FOR LONG TERM STORE

When it stores for a long term, please avoid place of high temperature and high humidity. Recommend that it uses after the delivery within 1year.

Temperature range: +5 to +40°C

Humidity: 10 to 75%RH max.

TLA-6T785 ISO8802.3(IEEE802.3) 10/100BASE-TX

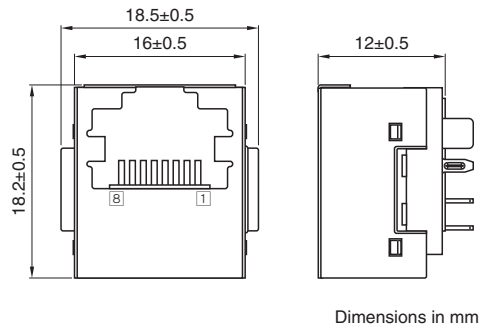
FEATURES

- Product conforming to RoHS directive.
- Pulse transformer, common mode choke, resistor and high with-standing voltage capacitor are integrated into RJ-45 modular jack.
- Excellent common mode noise suppression.
- Inductance is 200 μ H or greater ($f=100$ kHz, DC bias=8mA).
- The product features high quality, containing a self-winding surface-mount pulse transformer and common mode choke.

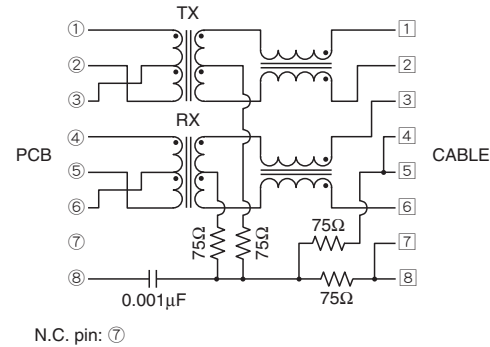
GENERAL SPECIFICATIONS

| | | |
|--------------------|-----------|--------------|
| Pulse transformer | 2 | |
| Common-mode choke | 2 | |
| Port | 1 | |
| Temperature ranges | Operating | -40 to +85°C |
| | Storage | -40 to +85°C |

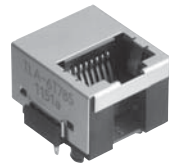
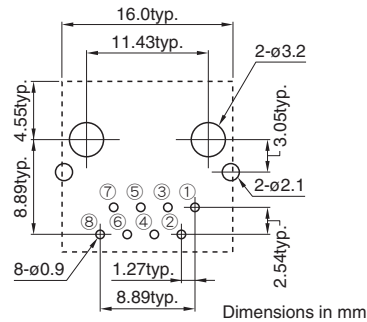
SHAPES AND DIMENSIONS



CIRCUIT DIAGRAM



RECOMMENDED PC BOARD PATTERN



ELECTRICAL CHARACTERISTICS

| Part No. | Turns ratio ①③②:①② ④⑥⑤:③⑥ | Inductance (μ H)min. [DC bias 8mA, 100kHz] ①-② ③-⑥ | Insertion loss (dB)max. [0.1 to 100MHz] ①②-①② ③⑥-④⑤ |
|-----------|---------------------------------|---|---|
| TLA-6T785 | 1CT:1 | 200 | 1.5 |
| | 1CT:1 | 200 | 1.5 |

- $T_a=25^\circ\text{C}$

- Conformity to RoHS Directive: This means that, in conformity with EU Directive 2002/95/EC, lead, cadmium, mercury, hexavalent chromium, and specific bromine-based flame retardants, PBB and PBDE, have not been used, except for exempted applications.

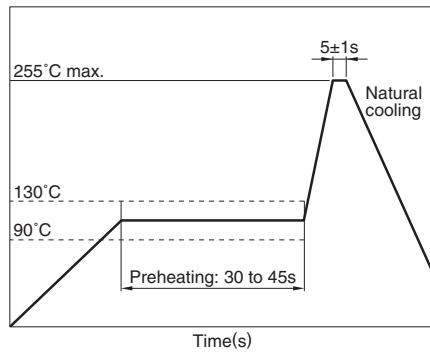
- All specifications are subject to change without notice.

PACKAGING STYLES

Tray : 500pieces/box

RECOMMENDED SOLDERING CONDITION

FLOW SOLDERING



Preheating: 90 to 130°C for 30 to 45 seconds.

Soldering: 255°C max. 5±1 seconds

- Perform flow soldering from the underside of the board.
- The surface of plastic protrusions inserted into the board may melt, but this causes no problems with regard to electrical properties or mounting.
- The cutted end of terminal has no plating(out of subject of solder ability).

RECOMMENDED CONDITION FOR LONG TERM STORE

When it stores for a long term, please avoid place of high temperature and high humidity. Recommend that it uses after the delivery within 1year.

Temperature range: +5 to +40°C

Humidity: 10 to 75%RH max.

LC Modules

TLA-3M103LF(-T) ISO8802.3(IEEE802.3) 10BASE-T

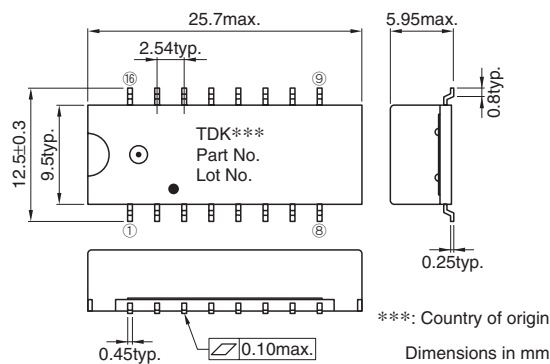
FEATURES

- Product conforming to RoHS directive.
- Can be mounted with lead-free solder (260°C max.).
- 16-pin SMD package (2.54mm=100mil pin pitch).
- Pulse transformer, common-mode choke and low pass filter are integrated into 16-pin SMD package.
- Using the high-quality and wide-band ferrite cores for LAN.
- Packaging specification is taping and bulk(TLA-3M103LF-T: Tape and reel, TLA-3M103LF: Bulk).

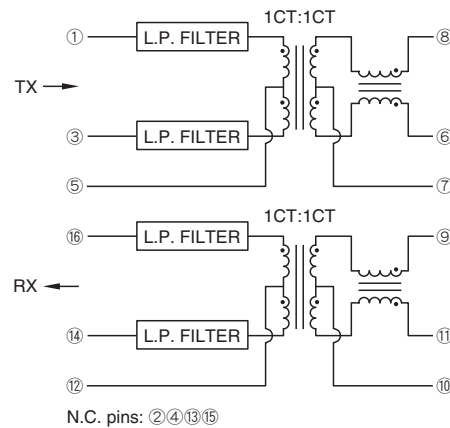
GENERAL SPECIFICATIONS

| | | |
|----------------------|-----------|-----------------|
| Low pass filter | | 2 |
| Pulse transformer | | 2 |
| Common-mode choke | | 2 |
| Port | | 1 |
| Temperature ranges | Operating | 0 to +70°C |
| | Storage | -40 to +85°C |
| Withstanding voltage | | Erms:1500V[60s] |

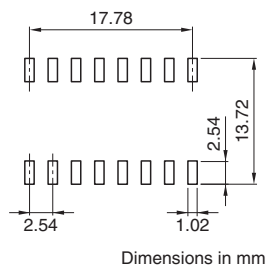
SHAPES AND DIMENSIONS



CIRCUIT DIAGRAM



RECOMMENDED PC BOARD PATTERN



ELECTRICAL CHARACTERISTICS

| Part No. | Insertion loss (dB)max.[5 to 10MHz] | Attenuation (dB)min.[30 to 100MHz] | Impedance (Ω)typ.[5 to 10MHz] | C.M.R.R. (dB)min.[1 to 100MHz] |
|-----------------|--|---------------------------------------|----------------------------------|-----------------------------------|
| | ①③-⑧⑥ ⑨⑪-⑰⑭ | ①③-⑧⑥ ⑨⑪-⑰⑭ | ①-③, ⑧-⑥ ⑰-⑭, ⑨-⑪ | ①③-⑧⑥ ⑰⑭-⑨⑪ |
| TLA-3M103LF(-T) | 1 | 25 | 100, 100 | 25 |
| | 1 | 25 | 100, 100 | 25 |

- Ta=25°C

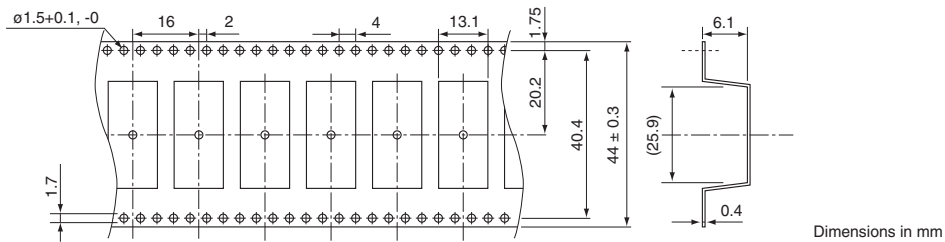
- Conformity to RoHS Directive: This means that, in conformity with EU Directive 2002/95/EC, lead, cadmium, mercury, hexavalent chromium, and specific bromine-based flame retardants, PBB and PBDE, have not been used, except for exempted applications.

- All specifications are subject to change without notice.

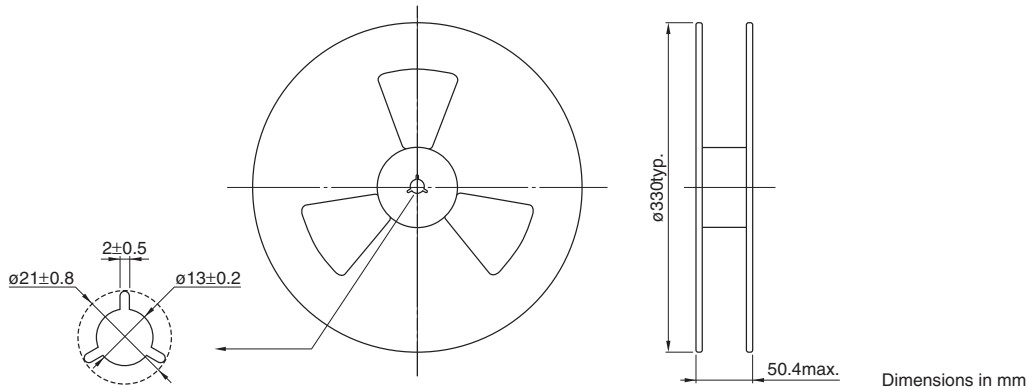
PACKAGING STYLES

Quantity : 600pieces/reel

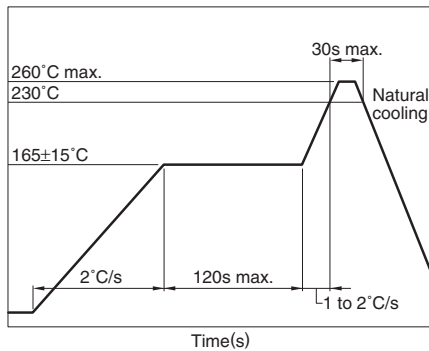
TAPE DIMENSIONS



REEL DIMENSIONS



RECOMMENDED SOLDERING CONDITION REFLOW SOLDERING



- Temperature is measured at the terminal portion of product (Using thermocoupler for measurement).
- This profile is reference data we recommend. Please check in your actual process.
- For reliable soldering, the thickness of solder paste screen should be over the terminal co-planality.
- The cutted end of terminal has no plating(out of subject of solder ability).

RECOMMENDED CONDITION FOR LONG TERM STORE

When it stores for a long term, please avoid place of high temperature and high humidity. Recommend that it uses after the delivery within 1year.

Temperature range: +5 to +30°C

Humidity: 60(%)RH max.

Pulse Transformers/SMD Type

ALT4532

FEATURES

- The ALT4532 Series is a wound chip type pulse transformer developed for LANs.
- Compatible with 10BASE-T, 100BASE-TX, and 1000BASE-T.
- High-quality product with automatic winding.
- Product conforming to RoHS directive.

APPLICATIONS

LAN interface portion of various devices such as network devices, communication devices, and digital home appliances

PRODUCT IDENTIFICATION

| | | | | |
|-----|------|-------|-----|-----|
| ALT | 4532 | - 201 | - T | 001 |
| (1) | (2) | (3) | (4) | (5) |

- (1) Series name
 (2) Dimensions L×W
 (3) Inductance[at 100kHz/DC bias=8mA]
 201 : 200μH min.
 (4) Packaging style
 T: ø330mm reel taping
 (5) TDK internal code

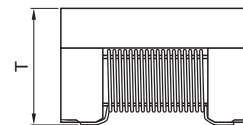
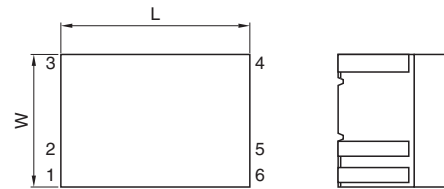
SPECIFICATIONS

| | | |
|-------------------|----------------------|--------------|
| Temperature range | Operating | -40 to +85°C |
| | Storage(After mount) | -40 to +85°C |

PACKAGING STYLE AND QUANTITIES

| | | |
|-----------------|--------|------------------|
| Packaging style | Reel | Quantity |
| Taping | ø180mm | 2000 pieces/reel |

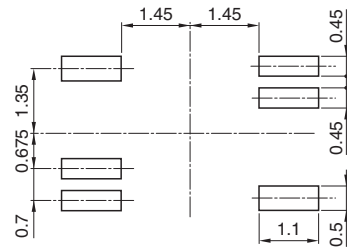
SHAPES AND DIMENSIONS



Dimensions in mm

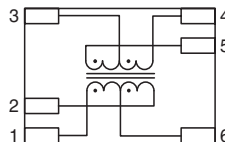
| Type | L | W | T |
|------------------|---------|---------|---------|
| ALT4532-171-T001 | 4.5±0.2 | 3.2±0.2 | 2.2max. |
| ALT4532-201-T001 | 4.5±0.2 | 3.2±0.2 | 2.9max. |

RECOMMENDED PC BOARD PATTERN



Dimensions in mm

MEASURING CIRCUIT



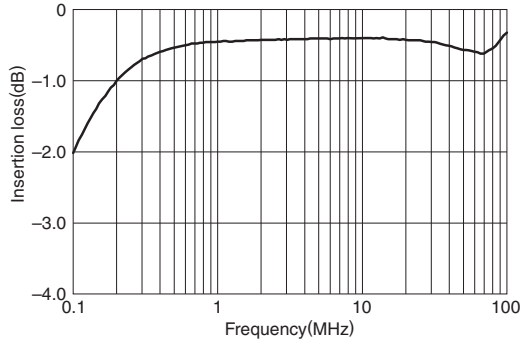
ELECTRICAL CHARACTERISTICS

| Part No. | Turns ratio ①⑥② : ⑤③④ | Inductance (μH)min. [DC bias 8mA, 100kHz] ①-② ⑤-④ | Insertion loss (dB)max. [0.1 to 100MHz] ①②-⑤④ | Inter-winding stray capacitance (pF)max. [100kHz] |
|------------------|--------------------------|---|--|--|
| ALT4532-171-T001 | 1CT : 1CT | 170 | 2.5 | 35 |
| ALT4532-201-T001 | 1CT : 1CT | 200 | 1.5 | 35 |

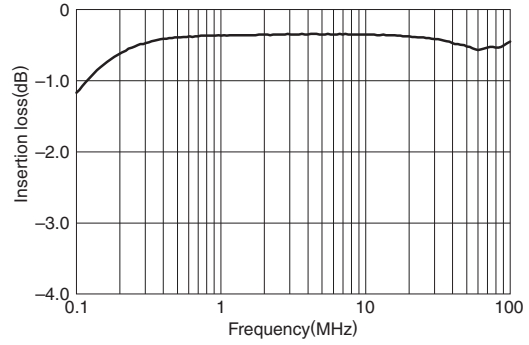
- Conformity to RoHS Directive: This means that, in conformity with EU Directive 2002/95/EC, lead, cadmium, mercury, hexavalent chromium, and specific bromine-based flame retardants, PBB and PBDE, have not been used, except for exempted applications.

- All specifications are subject to change without notice.

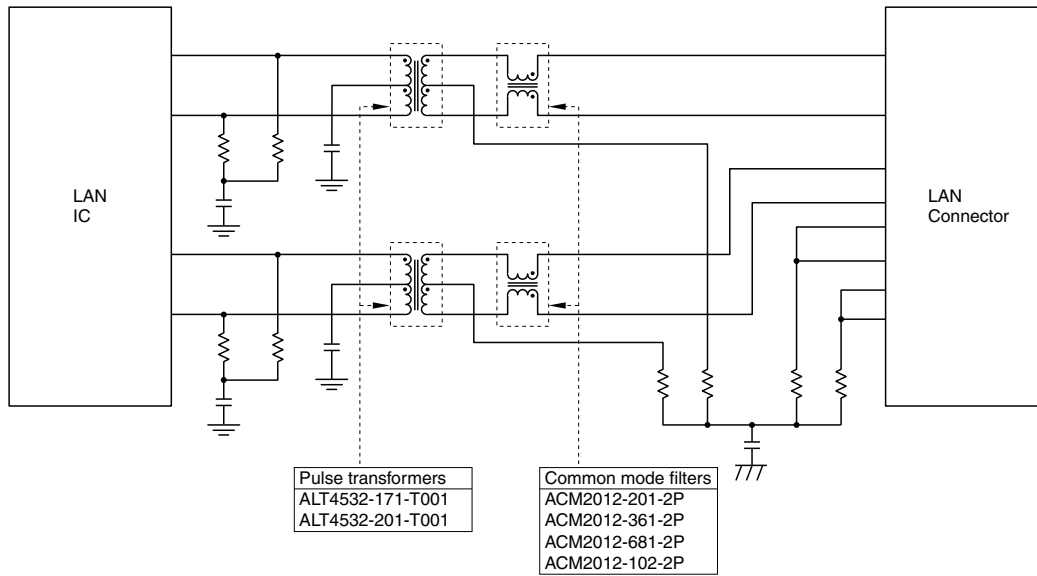
TYPICAL ELECTRICAL CHARACTERISTICS
INSERTION LOSS vs. FREQUENCY CHARACTERISTICS
ALT4532-171-T001



ALT4532-201-T001



TYPICAL APPLICATIONS (100BASE-TX)



Note) Peripheral circuits differ depending on the IC used; check the circuits with the application note of the IC, etc.

Looking for pricing, stock, or lifecycle information?

Click below to explore more details on WIN SOURCE:

 [View TLA-7T201LF-T on WIN SOURCE](#)

 [TDK Corporation Information](#)

Optimize Your Supply Chain with WIN SOURCE Solutions

-  Global Sourcing Solution
-  Obsolete Management
-  Cost Control Management
-  Shortage Management
-  Alternative Solution
-  Excess Inventory Management