

DATA SHEET

TJA1020 LIN transceiver

Product specification
Supersedes data of 2002 Jul 17

2004 Jan 13

LIN transceiver

TJA1020

FEATURES

General

- Baud rate up to 20 Kbaud
- Very low ElectroMagnetic Emission (EME)
- High ElectroMagnetic Immunity (EMI)
- Low slope mode for an even further reduction of EME
- Passive behaviour in unpowered state
- Input levels compatible with 3.3 and 5 V devices
- Integrated termination resistor for Local Interconnect Network (LIN) slave applications
- Wake-up source recognition (local or remote)
- Supports K-line like functions.

Low power management

- Very low current consumption in sleep mode with local and remote wake-up.

Protections

- Transmit data (TXD) dominant time-out function
- Bus terminal and battery pin protected against transients in the automotive environment (ISO7637)
- Bus terminal short-circuit proof to battery and ground
- Thermally protected.

GENERAL DESCRIPTION

The TJA1020 is the interface between the LIN master/slave protocol controller and the physical bus in a Local Interconnect Network (LIN). It is primarily intended for in-vehicle sub-networks using baud rates from 2.4 up to 20 Kbaud.

The transmit data stream of the protocol controller at the TXD input is converted by the LIN transceiver into a bus signal with controlled slew rate and wave shaping to minimize EME. The LIN bus output pin is pulled HIGH via an internal termination resistor. For a master application an external resistor in series with a diode should be connected between pin INH or pin BAT and pin LIN. The receiver detects the data stream at the LIN bus input pin and transfers it via pin RXD to the microcontroller.

In normal transceiver operation the TJA1020 can be switched in the normal slope mode or the low slope mode. In the low slope mode the TJA1020 lengthens the rise and fall slopes of the LIN bus signal, thus further reducing the already very low emission in normal slope mode.

In sleep mode the power consumption of the TJA1020 is very low, whereas in failure modes the power consumption is reduced to a minimum.

QUICK REFERENCE DATA

SYMBOL	PARAMETER	MIN.	TYP.	MAX.	UNIT
V_{BAT}	supply voltage on pin BAT	5	12	27	V
I_{BAT}	supply current on pin BAT in sleep mode	1	3	8	μ A
	supply current on pin BAT in standby mode; bus recessive	100	400	1000	μ A
	supply current on pin BAT in normal slope mode; bus recessive	100	400	1000	μ A
	supply current on pin BAT in normal slope mode; bus dominant	1	3.5	8.0	mA
V_{LIN}	DC voltage on pin LIN	-27	-	+40	V
T_{vj}	virtual junction temperature	-40	-	+150	$^{\circ}$ C
$V_{esd(HBM)}$	electrostatic discharge voltage; human body model; pins NWAKE, LIN and BAT	-4	-	+4	kV

ORDERING INFORMATION

TYPE NUMBER	PACKAGES		
	NAME	DESCRIPTION	VERSION
TJA1020T	SO8	plastic small outline package; 8 leads; body width 3.9 mm	SOT96-1
TJA1020U	-	bare die; die dimensions 1480 \times 1760 \times 375 μ m	-

LIN transceiver

TJA1020

BLOCK DIAGRAM

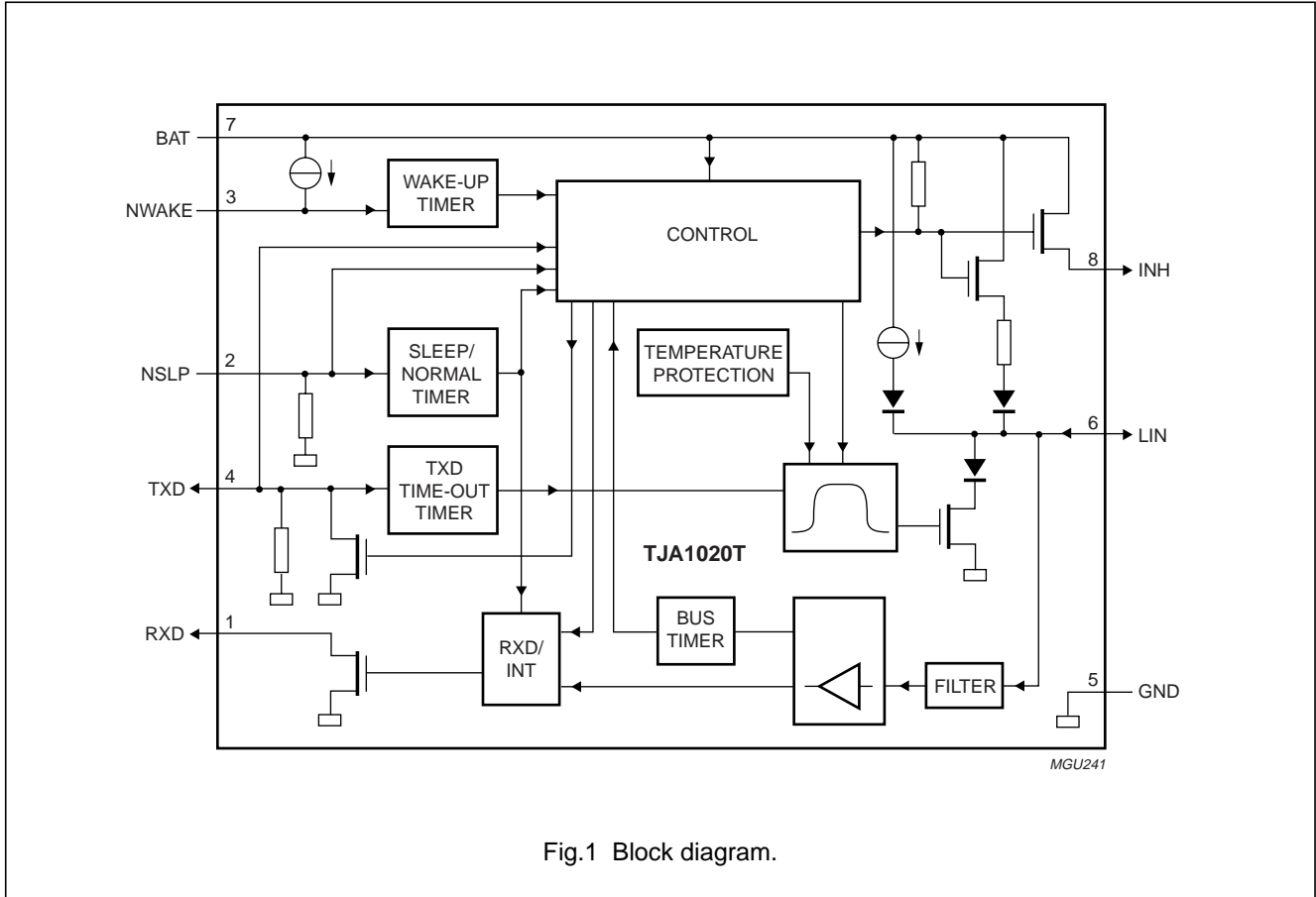


Fig.1 Block diagram.

PINNING

SYMBOL	PIN	DESCRIPTION
RXD	1	receive data output (open-drain); active LOW after a wake-up event
NSLP	2	sleep control input (active LOW); controls inhibit output; resets wake-up source flag on TXD and wake-up request on RXD
NWAKE	3	local wake-up input (active LOW); negative edge triggered
TXD	4	transmit data input; active LOW output after a local wake-up event
GND	5	ground
LIN	6	LIN bus line input/output
BAT	7	battery supply
INH	8	battery related inhibit output for controlling an external voltage regulator; active HIGH after a wake-up event

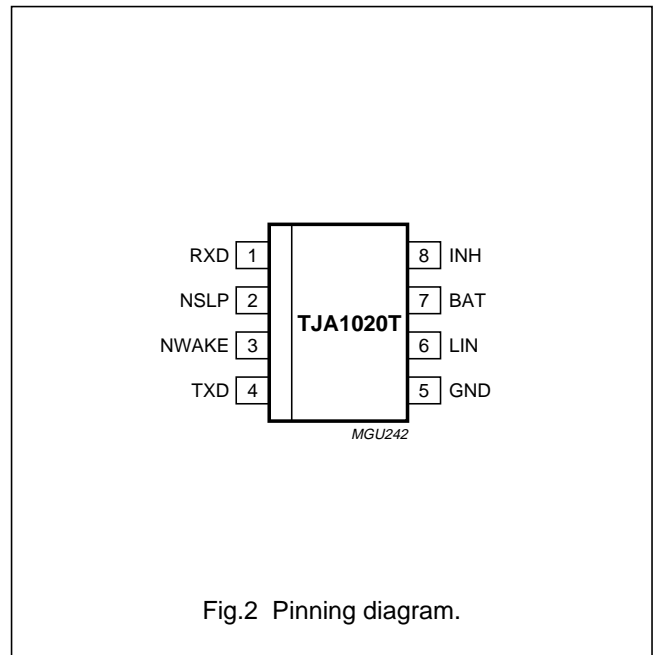


Fig.2 Pinning diagram.

LIN transceiver

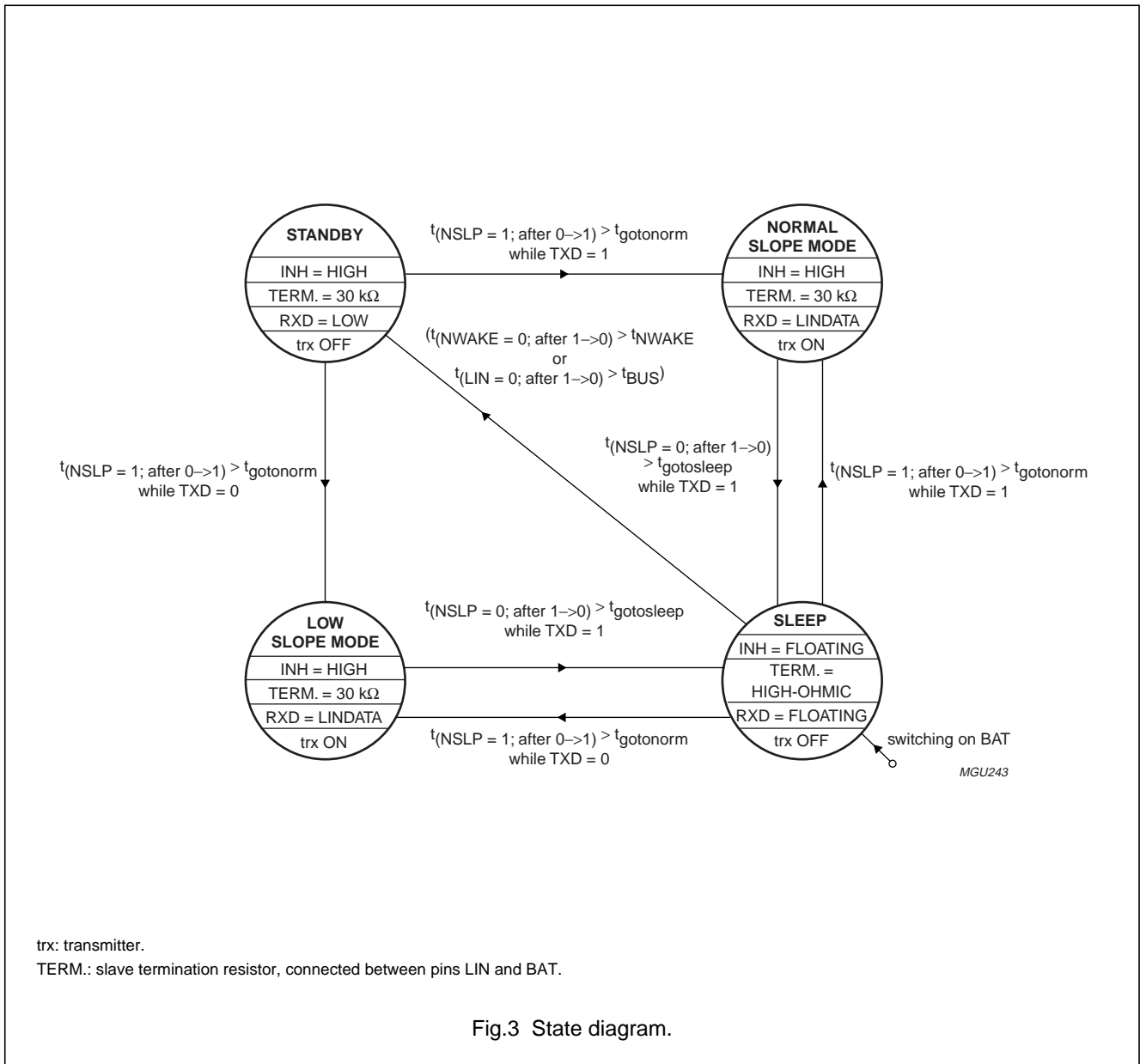
TJA1020

FUNCTIONAL DESCRIPTION

The TJA1020 is the interface between the LIN master/slave protocol controller and the physical bus in a Local Interconnect Network (LIN). The LIN transceiver is optimized for the maximum specified LIN transmission speed of 20 Kbaud providing optimum EMC performance due to wave shaping of the LIN output.

Operating modes

The TJA1020 provides two modes of normal operation, one intermediate mode and one very low power mode. Figure 3 shows the state diagram.



LIN transceiver

TJA1020

Table 1 Operating modes

MODE	NSLP	TXD (OUTPUT)	RXD	INH	TRANSMITTER	REMARKS
Sleep	0	weak pull-down	floating	floating	off	no wake-up request detected
Standby ⁽¹⁾	0	weak pull-down if remote wake-up; strong pull-down if local wake-up; note 2	LOW; note 3	HIGH	off	wake-up request detected; in this mode the microcontroller can read the wake-up source: remote or local wake-up
Normal slope mode	1	weak pull-down	HIGH: recessive state LOW: dominant state	HIGH	normal slope mode	notes 2, 3 and 4
Low slope mode	1	weak pull-down	HIGH: recessive state LOW: dominant state	HIGH	low slope mode	notes 2, 3 and 5

Notes

1. The standby mode is entered automatically upon any local or remote wake-up event during sleep mode. Pin INH and the 30 k Ω termination resistor at pin LIN are switched on.
2. The internal wake-up source flag (set if a local wake-up did occur and fed to pin TXD) will be reset when entering normal slope or low slope mode (NSLP goes HIGH).
3. The wake-up interrupt (on pin RXD) is released when entering normal slope or low slope mode (NSLP goes HIGH).
4. The normal slope mode is entered during a positive edge on NSLP while pin TXD is already set HIGH. In the event of a short-circuit to ground on pin TXD, the transmitter will be disabled.
5. The low slope mode is entered during the positive edge on NSLP while pin TXD is already pulled LOW.

Sleep mode

This mode is the most power saving mode of the TJA1020 and the default state after power-up (first battery supply). Despite its extreme low current consumption, the TJA1020 can still be waken up remotely via pin LIN, or waken up locally via pin NWAKE, or activated directly via pin NSLP. Filters at the inputs of the receiver (LIN), of pin NWAKE and of pin NSLP are preventing unwanted wake-up events due to automotive transients or EMI. All wake-up events have to be maintained for a certain time period (t_{BUS} , t_{NWAKE} and $t_{gotonorm}$).

The sleep mode is initiated by a falling edge on the pin NSLP while TXD is already set HIGH. After a filter time continuously driven sleep command (pin NSLP = LOW), pin INH becomes floating.

In sleep mode the internal slave termination between pins LIN and BAT is disabled to minimize the power dissipation in case pin LIN is short-circuited to ground. Only a weak pull-up between pins LIN and BAT is present.

The sleep mode can be activated independently from the actual level on pin LIN or NWAKE. So it is guaranteed that the lowest power consumption is achievable even in case of a continuous dominant level on pin LIN or a continuous LOW on pin NWAKE.

Standby mode

The standby mode is entered automatically whenever a local or remote wake-up occurs while the TJA1020 is in its sleep mode. These wake-up events activate pin INH and enable the slave termination resistor at the pin LIN. As a result of the HIGH condition on pin INH the voltage regulator and the microcontroller can be activated.

The standby mode is signalled by a LOW level on pin RXD which can be used as an interrupt for the microcontroller.

In the standby mode (pin NSLP is still LOW), the condition of pin TXD (weak pull-down or strong pull-down) indicates the wake-up source: weak pull-down for a remote wake-up request and strong pull-down for a local wake-up request.

LIN transceiver

TJA1020

Setting pin NSLP HIGH during standby mode results in the following events:

- An immediate reset of the wake-up source flag; thus releasing the possible strong pull-down at pin TXD before the actual mode change (after t_{gotonorm}) is performed
- A change into normal slope mode if the HIGH level on pin NSLP has been maintained for a certain time period (t_{gotonorm}) while pin TXD is pulled HIGH
- A change into low slope mode if the HIGH level on pin NSLP has been maintained for a certain time period (t_{gotonorm}) while pin TXD is pulled LOW either deliberately driven by the microcontroller, or due to a failure. In the event of a short-circuit to ground or an open-wire on pin TXD, the LIN output remains recessive (fail safe)
- A reset of the wake-up request signal on pin RXD if the HIGH level on pin NSLP has been maintained for a certain time period (t_{gotonorm}).

Normal slope mode

In the normal slope mode the transceiver is able to transmit and receive data via the LIN bus line. The receiver detects the data stream at the LIN bus input pin and transfers it via pin RXD to the microcontroller (see Fig.1): HIGH at a recessive level and LOW at a dominant level on the bus. The receiver has a supply voltage related threshold with hysteresis and an integrated filter to suppress bus line noise. The transmit data stream of the protocol controller at the TXD input is converted by the transmitter into a bus signal with controlled slew rate and wave shaping to minimize EME. The LIN bus output pin is pulled HIGH via an internal slave termination resistor. For a master application an external resistor in series with a diode should be connected between pin INH or BAT on one side and pin LIN on the other side (see Fig.7).

Being in the sleep or standby mode, the TJA1020 enters normal slope mode whenever a HIGH level on pin NSLP is maintained for a time of at least t_{gotonorm} provided its preceding positive edge is executed while pin TXD is already set to HIGH.

The TJA1020 switches to sleep mode in case of a LOW level on pin NSLP, maintained during a certain time period ($t_{\text{gotosleep}}$) while pin TXD is already set to HIGH.

Low slope mode

The only difference between the normal slope mode and the low slope mode is the transmitter behaviour.

In the low slope mode the transmitter output stage drives the LIN bus line with lengthened rise and fall slopes. This will further reduce the already outstanding EME in the normal slope mode. The low slope mode is perfectly suited for applications where transmission speed is not critical. The mode selection is done by the LIN transceiver after a positive edge on pin NSLP, maintained for a certain time period (t_{gotonorm}). If pin TXD is LOW at that time, the low slope mode is entered, otherwise the normal mode is entered. The transition to the low slope mode will be executed during an open pin TXD (fail-safe), a short-circuit from pin TXD to ground (fail-safe) or an intended LOW level of pin TXD programmed by the microcontroller. The transmitter is enabled after a LOW-to-HIGH transition on pin TXD. In the event of a short-circuit to ground on pin TXD, the transmitter will be disabled.

Wake-up

There are three ways to wake-up a TJA1020 which is in sleep mode:

1. Remote wake-up via a dominant bus state
2. Local wake-up via a negative edge at pin NWAKE
3. Mode change (pin NSLP is HIGH) from sleep mode to normal slope/low slope mode.

Remote and local wake-up

A falling edge at pin NWAKE followed by a LOW level maintained for a certain time period (t_{NWAKE}) results in a local wake-up. The pin NWAKE provides an internal pull-up towards pin BAT. In order to prevent EMI issues, it is recommended to connect an unused pin NWAKE to pin BAT.

If, during power-up, pin NWAKE is LOW for a certain period of time (t_{NWAKE}) this will also result in a local wake-up.

A falling edge at pin LIN followed by a LOW level maintained for a certain time period (t_{BUS}) and a rising edge at pin LIN respectively (see Fig.4) results in a remote wake-up.

After a local or remote wake-up pin INH is activated (it goes HIGH) and the internal slave termination resistor is switched on. The wake-up request is indicated by a LOW active wake-up request signal on pin RXD to interrupt the microcontroller.

LIN transceiver

TJA1020

Wake-up via mode transition

It is also possible to set pin INH HIGH with a mode transition towards normal slope/low slope mode via pin NSLP. This is useful for applications with a continuously powered microcontroller.

Wake-up source recognition

The TJA1020 can distinguish between a local wake-up request on pin NWAKE and a remote wake-up request via a dominant bus state. The wake-up source flag is set in case the wake-up request was a local one. The wake-up source can be read on pin TXD in the standby mode. If an external pull-up resistor on pin TXD to the power supply voltage of the microcontroller has been added a HIGH level indicates a remote wake-up request (weak pull-down at pin TXD) and a LOW level indicates a local wake-up request (strong pull-down at pin TXD; much stronger than the external pull-up resistor).

The wake-up request flag (signalled on pin RXD) as well as the wake-up source flag (signalled on pin TXD) are reset immediately, if the microcontroller sets pin NSLP HIGH.

TXD dominant time-out function

A 'TXD Dominant Time-out' timer circuit prevents the bus line from being driven to a permanent dominant state (blocking all network communication) if pin TXD is forced permanently LOW by a hardware and/or software application failure. The timer is triggered by a negative edge on pin TXD. If the duration of the LOW level on

pin TXD exceeds the internal timer value (t_{dom}), the transmitter is disabled, driving the bus line into a recessive state. The timer is reset by a positive edge on pin TXD.

Fail-safe features

Pin TXD provides a pull-down to GND in order to force a predefined level on input pin TXD in case the pin TXD is unpowered.

Pin NSLP provides a pull-down to GND in order to force the transceiver into sleep mode in case the pin NSLP is unpowered.

Pin RXD is set floating in case of lost power supply on pin BAT.

The current of the transmitter output stage is limited in order to protect the transmitter against short-circuit to pins BAT or GND.

A loss of power (pins BAT and GND) has no impact to the bus line and the microcontroller. There are no reverse currents from the bus. The LIN transceiver can be disconnected from the power supply without influencing the LIN bus.

The output driver at pin LIN is protected against overtemperature conditions. If the junction temperature exceeds the shutdown junction temperature $T_{j(sd)}$, the thermal protection circuit disables the output driver. The driver is enabled again if the junction temperature has been decreased below $T_{j(sd)}$ and a recessive level is present at pin TXD.

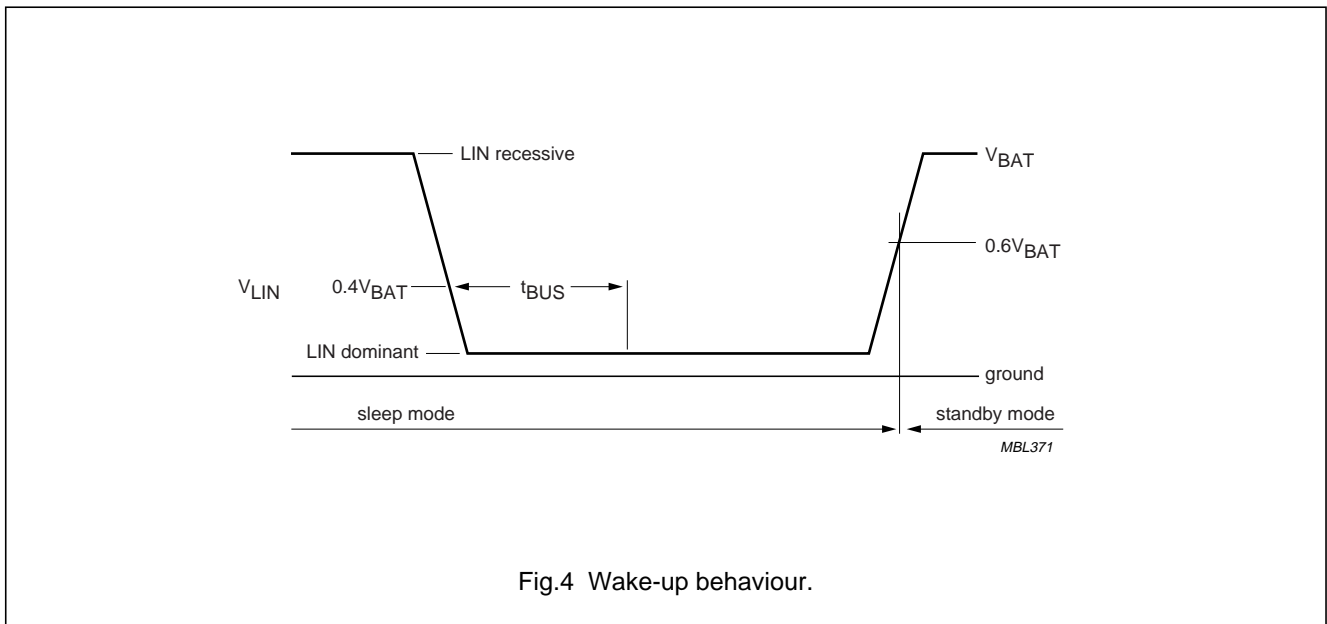


Fig.4 Wake-up behaviour.

LIN transceiver

TJA1020

LIMITING VALUES

In accordance with the Absolute Maximum Rating System (IEC 60134); all voltages are referenced to pin GND.

SYMBOL	PARAMETER	CONDITIONS	MIN.	MAX.	UNIT
V_{BAT}	supply voltage on pin BAT		-0.3	+40	V
$V_{TXD}, V_{RXD}, V_{NSLP}$	DC voltage on pins TXD, RXD and NSLP		-0.3	+7	V
V_{LIN}	DC voltage on pin LIN		-27	+40	V
V_{NWAKE}	DC voltage on pin NWAKE		-1	+40	V
I_{NWAKE}	current on pin NWAKE (only relevant if $V_{NWAKE} < V_{GND} - 0.3$ V; current will flow into pin GND)		-15	-	mA
V_{INH}	DC voltage on pin INH		-0.3	$V_{BAT} + 0.3$	V
I_{INH}	output current at pin INH		-50	+15	mA
$V_{trt(LIN)}$	transient voltage on pin LIN (ISO7637)		-150	+100	V
T_{vj}	virtual junction temperature		-40	+150	°C
T_{stg}	storage temperature		-55	+150	°C
$V_{esd(HBM)}$	electrostatic discharge voltage; human body model on pins NWAKE, LIN and BAT on pins RXD, NSLP, TXD and INH	note 1	-4 -2	+4 +2	kV kV
$V_{esd(MM)}$	electrostatic discharge voltage; machine model; all pins	note 2	-200	+200	V

Notes

- Equivalent to discharging a 100 pF capacitor through a 1.5 k Ω resistor.
- Equivalent to discharging a 200 pF capacitor through a 10 Ω resistor and a 0.75 μ H coil. In the event of a discharge from pin INH to pin BAT: -150 V < $V_{esd(MM)}$ < +150 V.

THERMAL CHARACTERISTICS

According to IEC60747-1.

SYMBOL	PARAMETER	CONDITION	VALUE	UNIT
$R_{th(j-a)}$	thermal resistance from junction to ambient in SO8 package	in free air	145	K/W
$R_{th(j-s)}$	thermal resistance from junction to substrate bare die	in free air	50	K/W

QUALITY SPECIFICATION

Quality specification in accordance with "AEC - Q100".

LIN transceiver

TJA1020

CHARACTERISTICS

$V_{BAT} = 5$ to 27 V; $T_{vj} = -40$ to $+150$ °C; $R_{L(LIN-BAT)} = 500$ Ω; all voltages are defined with respect to ground; positive currents flow into the IC; typical values are given at $V_{BAT} = 12$ V; unless otherwise specified; notes 1 and 2.

SYMBOL	PARAMETER	CONDITIONS	MIN.	TYP.	MAX.	UNIT
Supply						
I_{BAT}	supply current on pin BAT	sleep mode ($V_{LIN} = V_{BAT}$; $V_{NWAKE} = V_{BAT}$; $V_{TXD} = 0$ V; $V_{NSLP} = 0$ V)	1	3	8	μA
		standby mode; bus recessive ($V_{INH} = V_{BAT}$; $V_{LIN} = V_{BAT}$; $V_{NWAKE} = V_{BAT}$; $V_{TXD} = 0$ V; $V_{NSLP} = 0$ V)	100	400	1000	μA
		standby mode; bus dominant ($V_{BAT} = 12$ V; $V_{INH} = 12$ V; $V_{LIN} = 0$ V; $V_{NWAKE} = 12$ V; $V_{TXD} = 0$ V; $V_{NSLP} = 0$ V); note 3	300	900	2000	μA
		low slope mode; bus recessive ($V_{INH} = V_{BAT}$; $V_{LIN} = V_{BAT}$; $V_{NWAKE} = V_{BAT}$; $V_{TXD} = 5$ V; $V_{NSLP} = 5$ V)	100	400	1000	μA
		normal slope mode; bus recessive ($V_{INH} = V_{BAT}$; $V_{LIN} = V_{BAT}$; $V_{NWAKE} = V_{BAT}$; $V_{TXD} = 5$ V; $V_{NSLP} = 5$ V)	100	400	1000	μA
		low slope mode; bus dominant ($V_{BAT} = 12$ V; $V_{INH} = 12$ V; $V_{NWAKE} = 12$ V; $V_{TXD} = 0$ V; $V_{NSLP} = 5$ V); note 3	1	3.5	8	mA
		normal slope mode; bus dominant ($V_{BAT} = 12$ V; $V_{INH} = 12$ V; $V_{NWAKE} = 12$ V; $V_{TXD} = 0$ V; $V_{NSLP} = 5$ V); note 3	1	3.5	8	mA
		Pin TXD				
V_{IH}	HIGH-level input voltage		2	–	7	V
V_{IL}	LOW-level input voltage		–0.3	–	+0.8	V
V_{hys}	TXD hysteresis voltage		0.03	–	0.5	V
R_{TXD}	TXD pull-down resistor	$V_{TXD} = 5$ V	125	350	800	kΩ

LIN transceiver

TJA1020

SYMBOL	PARAMETER	CONDITIONS	MIN.	TYP.	MAX.	UNIT
I_{IL}	LOW-level input current	$V_{TXD} = 0\text{ V}$	-5	0	+5	μA
I_{OL}	LOW-level output current (local wake-up request)	standby mode; $V_{NWAKE} = 0\text{ V}$; $V_{LIN} = V_{BAT}$; $V_{TXD} = 0.4\text{ V}$	1.5	3	-	mA
Pin NSLP						
V_{IH}	HIGH-level input voltage		2	-	7	V
V_{IL}	LOW-level input voltage		-0.3	-	+0.8	V
V_{hys}	NSLP hysteresis voltage		0.03	-	0.5	V
R_{NSLP}	NSLP pull-down resistor	$V_{NSLP} = 5\text{ V}$	125	350	800	k Ω
I_{IL}	LOW-level input current	$V_{NSLP} = 0\text{ V}$	-5	0	+5	μA
Pin RXD (open-drain)						
I_{OL}	LOW-level output current	normal slope mode; $V_{LIN} = 0\text{ V}$; $V_{RXD} = 0.4\text{ V}$	1.3	3.5	-	mA
I_{LH}	HIGH-level leakage current	normal slope mode; $V_{LIN} = V_{BAT}$; $V_{RXD} = 5\text{ V}$	-5	0	+5	μA
Pin NWAKE						
V_{IH}	HIGH-level input voltage		$V_{BAT} - 1$	-	$V_{BAT} + 0.3$	V
V_{IL}	LOW-level input voltage		-0.3	-	$V_{BAT} - 3.3$	V
I_{IL}	NWAKE pull-up current	$V_{NWAKE} = 0\text{ V}$	-30	-10	-3	μA
I_{LH}	HIGH-level leakage current	$V_{NWAKE} = 27\text{ V}$; $V_{BAT} = 27\text{ V}$	-5	0	+5	μA
Pin INH						
$R_{sw(INH)}$	switch-on resistance between pins BAT and INH	standby; low slope or normal slope mode; $I_{INH} = -15\text{ mA}$; $V_{BAT} = 12\text{ V}$	-	30	50	Ω
I_{LH}	HIGH-level leakage current	sleep mode; $V_{INH} = 27\text{ V}$; $V_{BAT} = 27\text{ V}$	-5	0	+5	μA
Pin LIN						
$V_{o(reces)}$	LIN recessive output voltage	$V_{TXD} = 5\text{ V}$; $I_{LIN} = 0\text{ mA}$	$0.9V_{BAT}$	-	V_{BAT}	V
$V_{o(dom)}$	LIN dominant output voltage	$V_{TXD} = 0\text{ V}$; $V_{BAT} = 7.3\text{ V}$	-	-	1.2	V
		$V_{TXD} = 0\text{ V}$; $V_{BAT} = 7.3$; $R_L = 1\text{ k}\Omega$	0.6	-	-	V
		$V_{TXD} = 0\text{ V}$; $V_{BAT} = 18\text{ V}$	-	-	2.0	V
		$V_{TXD} = 0\text{ V}$; $V_{BAT} = 18\text{ V}$; $R_L = 1\text{ k}\Omega$	0.8	-	-	V
I_{LH}	HIGH-level leakage current	$V_{LIN} = V_{BAT}$	-1	0	+1	μA
I_{IL}	LIN pull-up current	sleep mode; $V_{LIN} = 0\text{ V}$; $V_{NSLP} = 0\text{ V}$	-2	-5	-10	μA

LIN transceiver

TJA1020

SYMBOL	PARAMETER	CONDITIONS	MIN.	TYP.	MAX.	UNIT
R_{SLAVE}	slave termination resistance to pin BAT	standby, low slope or normal slope mode; $V_{LIN} = 0\text{ V}$; $V_{BAT} = 12\text{ V}$	20	30	47	$k\Omega$
$I_{o(sc)}$	short-circuit output current	$V_{LIN} = V_{BAT} = 12\text{ V}$; $V_{TXD} = 0\text{ V}$; $t < t_{dom}$	27	40	60	mA
		$V_{LIN} = V_{BAT} = 27\text{ V}$; $V_{TXD} = 0\text{ V}$; $t < t_{dom}$	60	90	125	mA
$V_{th(rx)}$	receiver threshold voltage	$V_{BAT} = 7.3\text{ to }27\text{ V}$	$0.4V_{BAT}$	–	$0.6V_{BAT}$	V
$V_{cntr(rx)}$	receiver centre voltage	$V_{BAT} = 7.3\text{ to }27\text{ V}$	$0.475V_{BAT}$	$0.5V_{BAT}$	$0.525V_{BAT}$	V
$V_{thr(hys)}$	receiver threshold hysteresis voltage	$V_{BAT} = 7.3\text{ to }27\text{ V}$	$0.145V_{BAT}$	$0.16V_{BAT}$	$0.175V_{BAT}$	V
Thermal shutdown						
$T_{j(sd)}$	shutdown junction temperature		160	175	190	$^{\circ}\text{C}$
AC characteristics						
$\Delta t_d(\text{TXD-BUSon/off})$	TXD propagation delay failure	normal slope mode; $C_L = 10\text{ nF}$; $R_L = 500\ \Omega$; (see Fig.5) $t_{PropTxDom} - t_{PropTxRec}$	–2	0	+2	μs
$\Delta t_d(\text{TXD-BUSon/off})$	TXD propagation delay failure	low slope mode; $C_L = 10\text{ nF}$; $R_L = 500\ \Omega$; (see Fig.5) $t_{PropTxDom} - t_{PropTxRec}$	–5	0	+5	μs
$\Delta t_d(\text{BUSon/off-RXD})$	RXD propagation delay failure	normal slope mode and low slope mode; $C_L = 0$; $R_L = \infty$; voltage on LIN externally forced; LIN slope time $< 500\text{ ns}$; $C_{RXD} = 20\text{ pF}$; $R_{RXD} = 2.4\text{ k}\Omega$; (see Fig.5) $t_{PropRxDom} - t_{PropRxRec}$	–2	0	+2	μs
$t_{r(\text{slope})(\text{dom})}$	fall time LIN (100% to 0%)	normal slope mode; $C_L = 10\text{ nF}$; $R_L = 500\ \Omega$; $V_{BAT} = 12\text{ V}$; transition from recessive to dominant; note 4 (see Fig.5)	–	16	27	μs
$t_{r(\text{slope})(\text{rec})}$	rise time LIN (0% to 100%)	normal slope mode; $C_L = 10\text{ nF}$; $R_L = 500\ \Omega$; $V_{BAT} = 12\text{ V}$; transition from dominant to recessive; note 5 (see Fig.5)	–	16	27	μs

LIN transceiver

TJA1020

SYMBOL	PARAMETER	CONDITIONS	MIN.	TYP.	MAX.	UNIT
$\Delta t_{\text{slope(norm)}}$	normal slope symmetry	normal slope mode; $C_L = 10 \text{ nF}$; $R_L = 500 \text{ }\Omega$; $V_{\text{BAT}} = 12 \text{ V}$; $t_{\text{f(slope)(dom)}} - t_{\text{r(slope)(rec)}}$	-5	0	+5	μs
$t_{\text{f(slope)(norm)(dom)}}$	normal slope fall time LIN (100% to 0%)	normal slope mode; $C_L = 6.8 \text{ nF}$; $R_L = 660 \text{ }\Omega$; $V_{\text{BAT}} = 12 \text{ V}$; transition from recessive to dominant; note 4	-	12	22.5	μs
$t_{\text{r(slope)(norm)(rec)}}$	normal slope rise time LIN (0% to 100%)	normal slope mode; $C_L = 6.8 \text{ nF}$; $R_L = 660 \text{ }\Omega$; $V_{\text{BAT}} = 12 \text{ V}$; transition from dominant to recessive; note 5	-	12	22.5	μs
$\Delta t_{\text{slope(norm)}}$	normal slope symmetry	normal slope mode; $C_L = 6.8 \text{ nF}$; $R_L = 660 \text{ }\Omega$; $V_{\text{BAT}} = 12 \text{ V}$; $t_{\text{f(slope)(dom)}} - t_{\text{r(slope)(rec)}}$	-4	0	+4	μs
$t_{\text{f(slope)(low)(dom)}}$	low slope fall time LIN (100% to 0%)	low slope mode; $C_L = 10 \text{ nF}$; $R_L = 500 \text{ }\Omega$; $V_{\text{BAT}} = 12 \text{ V}$; note 4	-	30	62	μs
$t_{\text{r(slope)(low)(rec)}}$	low slope rise time LIN (0% to 100%)	low slope mode; $C_L = 10 \text{ nF}$; $R_L = 500 \text{ }\Omega$; $V_{\text{BAT}} = 12 \text{ V}$; note 5	-	30	62	μs
t_{BUS}	dominant time for wake-up via bus	sleep mode	30	70	150	μs
t_{NWAKE}	dominant time for wake-up via pin NWAKE	sleep mode	7	20	50	μs
t_{gotonorm}	time period for mode change from sleep or standby mode into normal/low slope mode		2	5	10	μs
$t_{\text{gotosleep}}$	time period for mode change from normal/low slope mode into sleep mode		2	5	10	μs
t_{dom}	TXD dominant time out	$V_{\text{TXD}} = 0 \text{ V}$	6	12	20	ms

LIN transceiver

TJA1020

Notes

1. All parameters are guaranteed over the virtual junction temperature by design, but only 100% tested at 125 °C ambient temperature for dies on wafer level and, in addition to this, 100% tested at 25 °C ambient temperature for cased products, unless otherwise specified.
2. For bare die, all parameters are only guaranteed if the backside of the bare die is connected to ground.
3. If V_{BAT} is higher than 12 V, the battery current increases due to the internal LIN termination resistor. The minimum value of this resistor is 20 kΩ. The maximum current increase is therefore: $I_{BAT(increase)} = \frac{V_{BAT} - 12 V}{20 k\Omega}$
4. $t_{f(slope)(dom)} = \frac{(t_{VLIN = 40\%}) - (t_{VLIN = 95\%})}{0.55}$; see Fig.6.
5. $t_{r(slope)(rec)} = \frac{(t_{VLIN = 60\%}) - (t_{VLIN = 5\%})}{0.55}$; see Fig.6.

TIMING DIAGRAMS

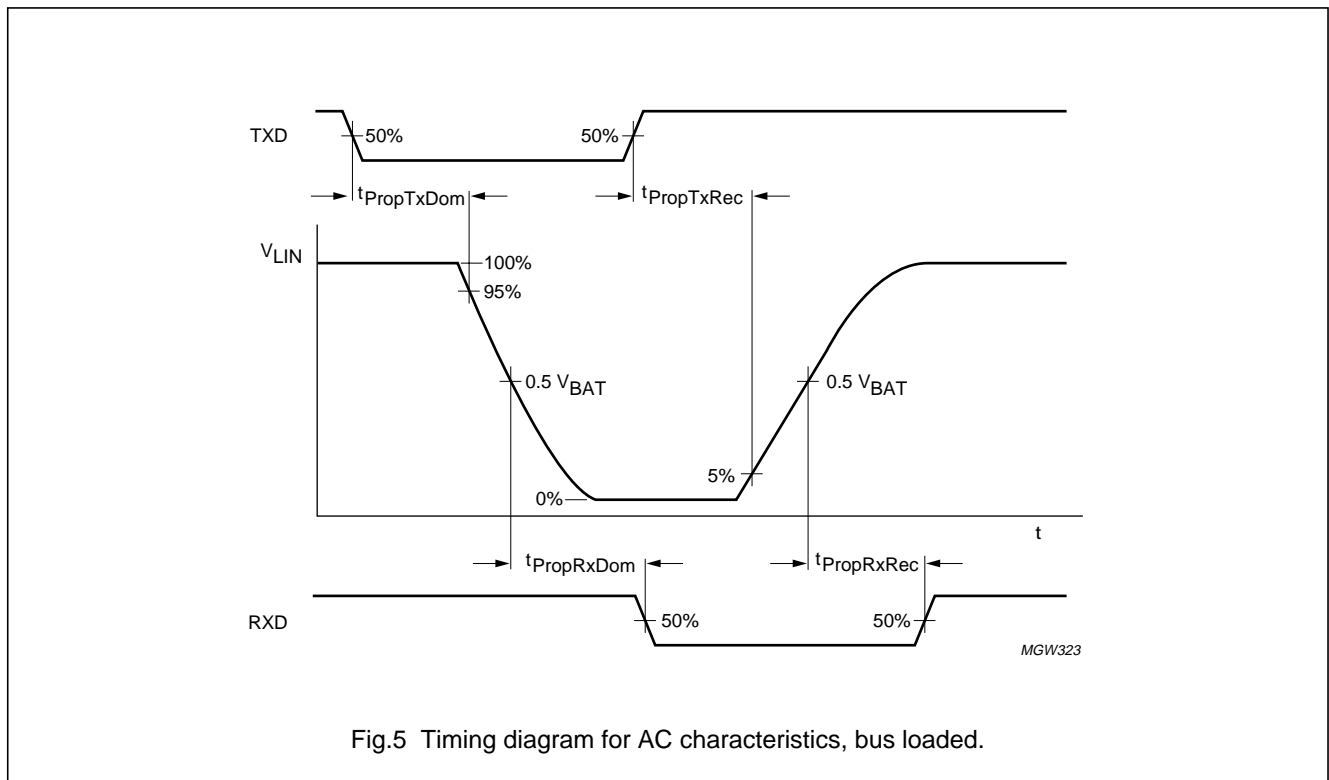


Fig.5 Timing diagram for AC characteristics, bus loaded.

LIN transceiver

TJA1020

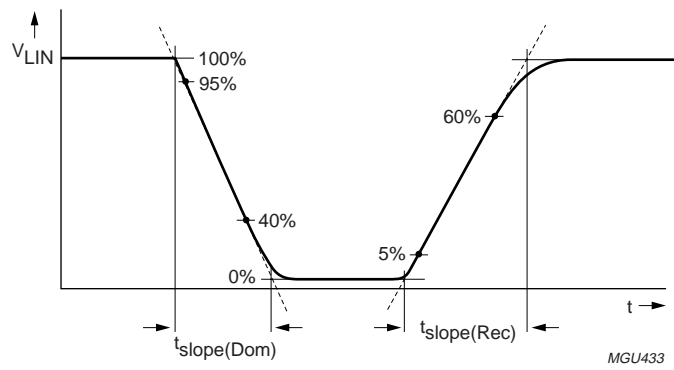
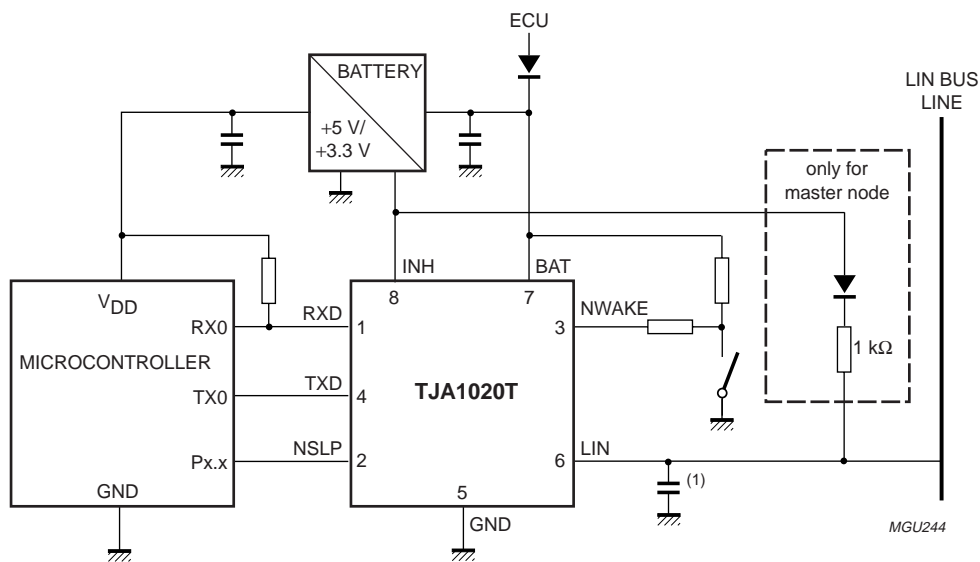


Fig.6 Definition of slope timing.

APPLICATION INFORMATION



More information is available in a separate application note.

(1) $C_{master} = 1 \text{ nF}$; $C_{slave} = 220 \text{ pF}$.

Fig.7 Typical application of the TJA1020.

LIN transceiver

TJA1020

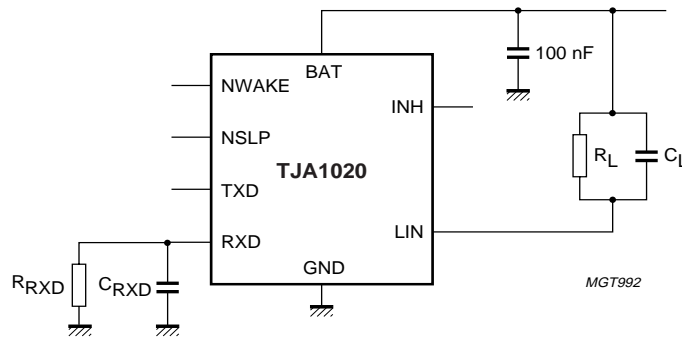
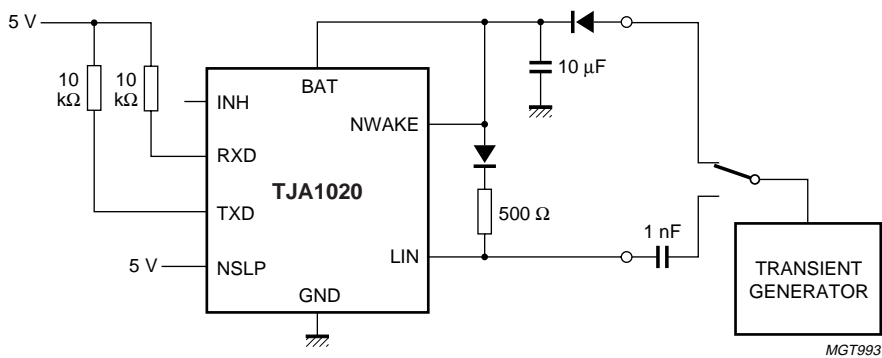


Fig.8 Test circuit for AC characteristics.



The waveforms of the applied transients on pin 6 (LIN) and pin 7 (BAT) are according to ISO7637 part 1, test pulses 1, 2, 3a, 3b, 4, 5, 6 and 7.

Fig.9 Test circuit for automotive transients.

LIN transceiver

TJA1020

BONDING PAD LOCATIONS

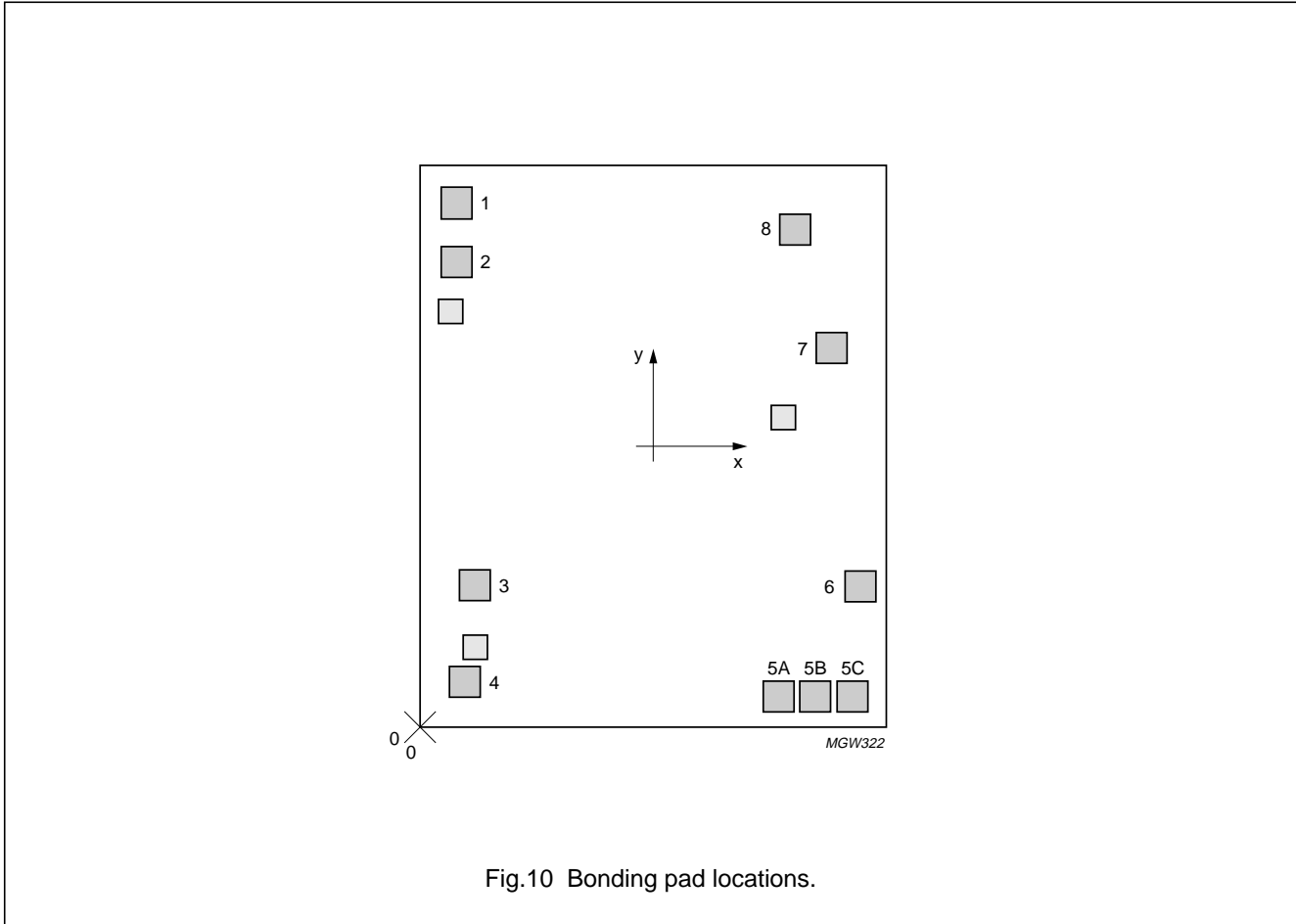


Fig.10 Bonding pad locations.

Table 2 Bonding pad locations (dimensions in μm). All x and y co-ordinates are referenced to the bottom left hand corner of the top aluminium layer.

SYMBOL	PAD	CO-ORDINATES	
		x	y
RXD	1	111	1570
NSLP	2	111	1395
NWAKE	3	165	424
TXD	4	134	134
GND1	5A	1075	90
GND2	5B	1185	90
GND3	5C	1295	90
LIN	6	1318	419
BAT	7	1235	1133
INH	8	1125	1490

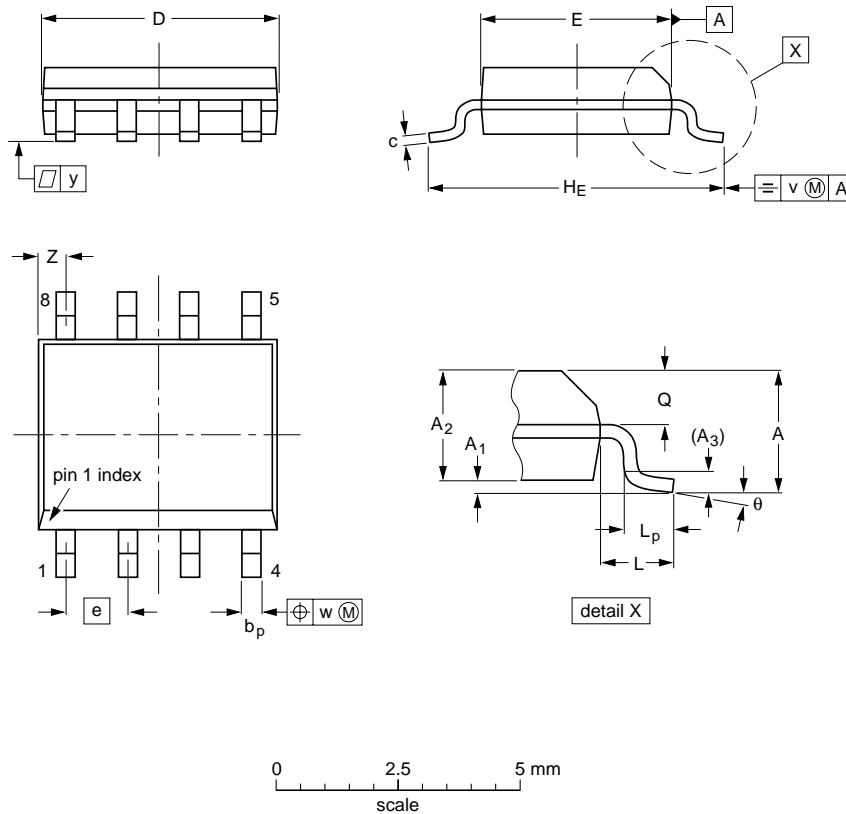
LIN transceiver

TJA1020

PACKAGE OUTLINE

SO8: plastic small outline package; 8 leads; body width 3.9 mm

SOT96-1



DIMENSIONS (inch dimensions are derived from the original mm dimensions)

UNIT	A max.	A ₁	A ₂	A ₃	b _p	c	D ⁽¹⁾	E ⁽²⁾	e	H _E	L	L _p	Q	v	w	y	z ⁽¹⁾	θ
mm	1.75	0.25 0.10	1.45 1.25	0.25	0.49 0.36	0.25 0.19	5.0 4.8	4.0 3.8	1.27	6.2 5.8	1.05	1.0 0.4	0.7 0.6	0.25	0.25	0.1	0.7 0.3	8° 0°
inches	0.069	0.010 0.004	0.057 0.049	0.01	0.019 0.014	0.0100 0.0075	0.20 0.19	0.16 0.15	0.05	0.244 0.228	0.041	0.039 0.016	0.028 0.024	0.01	0.01	0.004	0.028 0.012	

Notes

1. Plastic or metal protrusions of 0.15 mm (0.006 inch) maximum per side are not included.
2. Plastic or metal protrusions of 0.25 mm (0.01 inch) maximum per side are not included.

OUTLINE VERSION	REFERENCES			EUROPEAN PROJECTION	ISSUE DATE
	IEC	JEDEC	JEITA		
SOT96-1	076E03	MS-012			99-12-27 03-02-18

LIN transceiver

TJA1020

SOLDERING

Introduction to soldering surface mount packages

This text gives a very brief insight to a complex technology. A more in-depth account of soldering ICs can be found in our *"Data Handbook IC26; Integrated Circuit Packages"* (document order number 9398 652 90011).

There is no soldering method that is ideal for all surface mount IC packages. Wave soldering can still be used for certain surface mount ICs, but it is not suitable for fine pitch SMDs. In these situations reflow soldering is recommended.

Reflow soldering

Reflow soldering requires solder paste (a suspension of fine solder particles, flux and binding agent) to be applied to the printed-circuit board by screen printing, stencilling or pressure-syringe dispensing before package placement. Driven by legislation and environmental forces the worldwide use of lead-free solder pastes is increasing.

Several methods exist for reflowing; for example, convection or convection/infrared heating in a conveyor type oven. Throughput times (preheating, soldering and cooling) vary between 100 and 200 seconds depending on heating method.

Typical reflow peak temperatures range from 215 to 270 °C depending on solder paste material. The top-surface temperature of the packages should preferably be kept:

- below 225 °C (SnPb process) or below 245 °C (Pb-free process)
 - for all BGA, HTSSON-T and SSOP-T packages
 - for packages with a thickness ≥ 2.5 mm
 - for packages with a thickness < 2.5 mm and a volume ≥ 350 mm³ so called thick/large packages
- below 240 °C (SnPb process) or below 260 °C (Pb-free process) for packages with a thickness < 2.5 mm and a volume < 350 mm³ so called small/thin packages.

Moisture sensitivity precautions, as indicated on packing, must be respected at all times.

Wave soldering

Conventional single wave soldering is not recommended for surface mount devices (SMDs) or printed-circuit boards with a high component density, as solder bridging and non-wetting can present major problems.

To overcome these problems the double-wave soldering method was specifically developed.

If wave soldering is used the following conditions must be observed for optimal results:

- Use a double-wave soldering method comprising a turbulent wave with high upward pressure followed by a smooth laminar wave.
- For packages with leads on two sides and a pitch (e):
 - larger than or equal to 1.27 mm, the footprint longitudinal axis is **preferred** to be parallel to the transport direction of the printed-circuit board;
 - smaller than 1.27 mm, the footprint longitudinal axis **must** be parallel to the transport direction of the printed-circuit board.

The footprint must incorporate solder thieves at the downstream end.

- For packages with leads on four sides, the footprint must be placed at a 45° angle to the transport direction of the printed-circuit board. The footprint must incorporate solder thieves downstream and at the side corners.

During placement and before soldering, the package must be fixed with a droplet of adhesive. The adhesive can be applied by screen printing, pin transfer or syringe dispensing. The package can be soldered after the adhesive is cured.

Typical dwell time of the leads in the wave ranges from 3 to 4 seconds at 250 °C or 265 °C, depending on solder material applied, SnPb or Pb-free respectively.

A mildly-activated flux will eliminate the need for removal of corrosive residues in most applications.

Manual soldering

Fix the component by first soldering two diagonally-opposite end leads. Use a low voltage (24 V or less) soldering iron applied to the flat part of the lead. Contact time must be limited to 10 seconds at up to 300 °C.

When using a dedicated tool, all other leads can be soldered in one operation within 2 to 5 seconds between 270 and 320 °C.

LIN transceiver

TJA1020

Suitability of surface mount IC packages for wave and reflow soldering methods

PACKAGE ⁽¹⁾	SOLDERING METHOD	
	WAVE	REFLOW ⁽²⁾
BGA, HTSSON..T ⁽³⁾ , LBGA, LFBGA, SQFP, SSOP..T ⁽³⁾ , TFBGA, USON, VFBGA	not suitable	suitable
DHVQFN, HBCC, HBGA, HLQFP, HSO, HSOP, HSQFP, HSSON, HTQFP, HTSSOP, HVQFN, HVSON, SMS	not suitable ⁽⁴⁾	suitable
PLCC ⁽⁵⁾ , SO, SOJ	suitable	suitable
LQFP, QFP, TQFP	not recommended ⁽⁵⁾⁽⁶⁾	suitable
SSOP, TSSOP, VSO, VSSOP	not recommended ⁽⁷⁾	suitable
CWQCCN..L ⁽⁸⁾ , PMFP ⁽⁹⁾ , WQCCN..L ⁽⁸⁾	not suitable	not suitable

Notes

- For more detailed information on the BGA packages refer to the “(LF)BGA Application Note” (AN01026); order a copy from your Philips Semiconductors sales office.
- All surface mount (SMD) packages are moisture sensitive. Depending upon the moisture content, the maximum temperature (with respect to time) and body size of the package, there is a risk that internal or external package cracks may occur due to vaporization of the moisture in them (the so called popcorn effect). For details, refer to the Drypack information in the “Data Handbook IC26; Integrated Circuit Packages; Section: Packing Methods”.
- These transparent plastic packages are extremely sensitive to reflow soldering conditions and must on no account be processed through more than one soldering cycle or subjected to infrared reflow soldering with peak temperature exceeding $217\text{ °C} \pm 10\text{ °C}$ measured in the atmosphere of the reflow oven. The package body peak temperature must be kept as low as possible.
- These packages are not suitable for wave soldering. On versions with the heatsink on the bottom side, the solder cannot penetrate between the printed-circuit board and the heatsink. On versions with the heatsink on the top side, the solder might be deposited on the heatsink surface.
- If wave soldering is considered, then the package must be placed at a 45° angle to the solder wave direction. The package footprint must incorporate solder thieves downstream and at the side corners.
- Wave soldering is suitable for LQFP, TQFP and QFP packages with a pitch (e) larger than 0.8 mm; it is definitely not suitable for packages with a pitch (e) equal to or smaller than 0.65 mm.
- Wave soldering is suitable for SSOP, TSSOP, VSO and VSSOP packages with a pitch (e) equal to or larger than 0.65 mm; it is definitely not suitable for packages with a pitch (e) equal to or smaller than 0.5 mm.
- Image sensor packages in principle should not be soldered. They are mounted in sockets or delivered pre-mounted on flex foil. However, the image sensor package can be mounted by the client on a flex foil by using a hot bar soldering process. The appropriate soldering profile can be provided on request.
- Hot bar or manual soldering is suitable for PMFP packages.

LIN transceiver

TJA1020

DATA SHEET STATUS

LEVEL	DATA SHEET STATUS ⁽¹⁾	PRODUCT STATUS ⁽²⁾⁽³⁾	DEFINITION
I	Objective data	Development	This data sheet contains data from the objective specification for product development. Philips Semiconductors reserves the right to change the specification in any manner without notice.
II	Preliminary data	Qualification	This data sheet contains data from the preliminary specification. Supplementary data will be published at a later date. Philips Semiconductors reserves the right to change the specification without notice, in order to improve the design and supply the best possible product.
III	Product data	Production	This data sheet contains data from the product specification. Philips Semiconductors reserves the right to make changes at any time in order to improve the design, manufacturing and supply. Relevant changes will be communicated via a Customer Product/Process Change Notification (CPCN).

Notes

1. Please consult the most recently issued data sheet before initiating or completing a design.
2. The product status of the device(s) described in this data sheet may have changed since this data sheet was published. The latest information is available on the Internet at URL <http://www.semiconductors.philips.com>.
3. For data sheets describing multiple type numbers, the highest-level product status determines the data sheet status.

REVISION HISTORY

REV	DATE	CPCN	DESCRIPTION
5	2004 01 13	200312021	Product specification (9397 750 11718) Modifications: <ul style="list-style-type: none"> • Chapter "Features"; 'Supports K-line like functions' added • Figure 1; direction arrow on pin TXD added to indicate an output signal flow as well as an input signal flow. • Figure 3; conditions on mode transitions defined more accurately • Chapter "Thermal characteristics"; $R_{th(j-s)}$ value in free air = 50 K/W added (was tbf) • Recommendation to connect an unused pin NWAKE to pin BAT incorporated in order to prevent EMI issues • Specification of LIN dominant output voltage changed to align with LIN specification 1.3 • Editorial improvements.
4	20020717	–	Product specification (9397 750 10028)

LIN transceiver

TJA1020

DEFINITIONS

Short-form specification — The data in a short-form specification is extracted from a full data sheet with the same type number and title. For detailed information see the relevant data sheet or data handbook.

Limiting values definition — Limiting values given are in accordance with the Absolute Maximum Rating System (IEC 60134). Stress above one or more of the limiting values may cause permanent damage to the device. These are stress ratings only and operation of the device at these or at any other conditions above those given in the Characteristics sections of the specification is not implied. Exposure to limiting values for extended periods may affect device reliability.

Application information — Applications that are described herein for any of these products are for illustrative purposes only. Philips Semiconductors make no representation or warranty that such applications will be suitable for the specified use without further testing or modification.

DISCLAIMERS

Life support applications — These products are not designed for use in life support appliances, devices, or systems where malfunction of these products can reasonably be expected to result in personal injury. Philips Semiconductors customers using or selling these products for use in such applications do so at their own risk and agree to fully indemnify Philips Semiconductors for any damages resulting from such application.

Right to make changes — Philips Semiconductors reserves the right to make changes in the products - including circuits, standard cells, and/or software - described or contained herein in order to improve design and/or performance. When the product is in full production (status 'Production'), relevant changes will be communicated via a Customer Product/Process Change Notification (CPCN). Philips Semiconductors assumes no responsibility or liability for the use of any of these products, conveys no licence or title under any patent, copyright, or mask work right to these products, and makes no representations or warranties that these products are free from patent, copyright, or mask work right infringement, unless otherwise specified.

Bare die — All die are tested and are guaranteed to comply with all data sheet limits up to the point of wafer sawing for a period of ninety (90) days from the date of Philips' delivery. If there are data sheet limits not guaranteed, these will be separately indicated in the data sheet. There are no post packing tests performed on individual die or wafer. Philips Semiconductors has no control of third party procedures in the sawing, handling, packing or assembly of the die. Accordingly, Philips Semiconductors assumes no liability for device functionality or performance of the die or systems after third party sawing, handling, packing or assembly of the die. It is the responsibility of the customer to test and qualify their application in which the die is used.

Philips Semiconductors – a worldwide company

Contact information

For additional information please visit <http://www.semiconductors.philips.com>. Fax: +31 40 27 24825

For sales offices addresses send e-mail to: sales.addresses@www.semiconductors.philips.com.

© Koninklijke Philips Electronics N.V. 2004

SCA76

All rights are reserved. Reproduction in whole or in part is prohibited without the prior written consent of the copyright owner.

The information presented in this document does not form part of any quotation or contract, is believed to be accurate and reliable and may be changed without notice. No liability will be accepted by the publisher for any consequence of its use. Publication thereof does not convey nor imply any license under patent- or other industrial or intellectual property rights.

Printed in The Netherlands

R16/05/pp22

Date of release: 2004 Jan 13

Document order number: 9397 750 11718

Let's make things better.

**Philips
Semiconductors**



PHILIPS

Looking for pricing, stock, or lifecycle information?

Click below to explore more details on WIN SOURCE:

- ⊖ [View TJA1020T/VM on WIN SOURCE](#)
- ⊖ [NXP / Nexperia Information](#)

Optimize Your Supply Chain with WIN SOURCE Solutions

- ✓ Global Sourcing Solution
- ✓ Obsolete Management
- ✓ Cost Control Management
- ✓ Shortage Management
- ✓ Alternative Solution
- ✓ Excess Inventory Management