



**THE DATASHEET OF
THS7318YZFR**





3-Channel Low-Power EDTV/SDTV Video Line Driver With Low-Pass Filters

FEATURES

- Single Supply: 2.85 V to 5 V
- Low Total Supply Current = 4.5 mA (max)
- Low Power Mode: 5 μ W (max)
- Integrated DAC Reconstruction Filters
- Video Line Driver Outputs with 6 dB Gain
- Rail-to-Rail Output
- RoHS Compliant 9-Pin Wafer Scale Package

APPLICATIONS

- Personal Media Players
- Digital Cameras
- Cellular Phone Video Output Buffering
- USB/Portable Low Power Video Buffering

DESCRIPTION

The THS7318 is a very low power single-supply 3 channel device designed to process Y' , P'_B , P'_R enhanced definition TV and Y' , C' , and CVBS standard definition TV signals. It integrates circuitry to perform signal processing commonly required in video output applications.

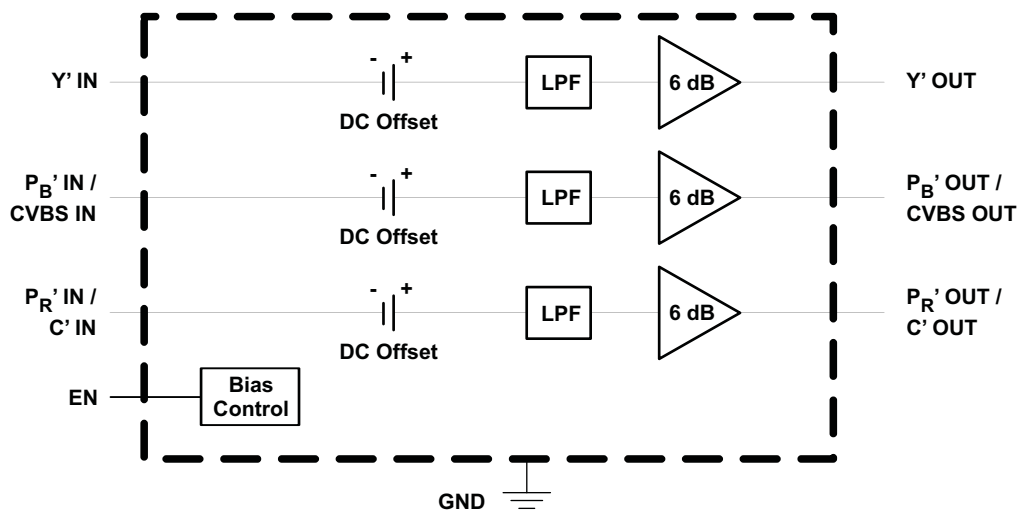
All channels incorporate 3rd-order 20-MHz Butterworth DAC reconstruction filters designed for video systems with 54 MSPS DAC sampling rates like NTSC/PAL 480p/576p EDTV and 480i/576i SDTV video.

Rail-to-Rail output drivers on all channels allow for both ac and dc coupled outputs.

The low quiescent current makes it an excellent choice for USB powered or portable video applications.

The THS7318 is available in a 9-pin NanoFree™ wafer scale package. It is specified for operation from -40°C to $+85^{\circ}\text{C}$.

THS7318 BLOCK DIAGRAM



Please be aware that an important notice concerning availability, standard warranty, and use in critical applications of Texas Instruments semiconductor products and disclaimers thereto appears at the end of this data sheet.

NanoFree is a trademark of Texas Instruments.



This integrated circuit can be damaged by ESD. Texas Instruments recommends that all integrated circuits be handled with appropriate precautions. Failure to observe proper handling and installation procedures can cause damage.

ESD damage can range from subtle performance degradation to complete device failure. Precision integrated circuits may be more susceptible to damage because very small parametric changes could cause the device not to meet its published specifications.

ABSOLUTE MAXIMUM RATINGS

over operating free-air temperature range (unless otherwise noted)⁽¹⁾

		VALUE	UNIT	
V_{SS}	Supply voltage, V_{S+} to GND	5.5	V	
V_I	Input voltage	-0.4 to V_{S+}	V	
I_O	Output current	± 100	mA	
Continuous power dissipation		See Dissipation Rating Table		
T_J	Maximum junction temperature	Any condition ⁽²⁾	150	°C
		Continuous operation, long term reliability ⁽³⁾	125	°C
T_{stg}	Storage temperature range	-65 to 150	°C	
T_A	Ambient operating temperature range	-40 to 85	°C	
ESD ratings	HBM	2000	V	
	CDM	1500	V	
	MM	200	V	

(1) Stresses above those listed under *absolute maximum ratings* may cause permanent damage to the device. These are stress ratings only and functional operation of the device at these or any other conditions beyond those indicated under *recommended operating conditions* is not implied. Exposure to absolute maximum rated conditions for extended periods may degrade device reliability.

(2) The absolute maximum junction temperature under any condition is limited by the constraints of the silicon process.

(3) The absolute maximum junction temperature for continuous operation is limited by the package constraints. Operation above this temperature may result in reduced reliability and/or lifetime of the device.

DISSIPATION RATINGS⁽¹⁾

PACKAGE	θ_{JC} (°C/W)	θ_{JA} (°C/W)	POWER RATING ⁽²⁾ ($T_J = 125^\circ\text{C}$)	
			$T_A = 25^\circ\text{C}$	$T_A = 70^\circ\text{C}$
YZF	38	105	950 mW	428 mW

(1) This data was taken with the JEDEC High-K test PCB.

(2) Power rating is determined with a junction temperature of 125°C. This is the point where distortion starts to substantially increase and long-term reliability starts to be reduced. Thermal management of the final PCB should strive to keep the junction temperature at or below 125°C for best performance and reliability.

RECOMMENDED OPERATING CONDITIONS

over operating free-air temperature range (unless otherwise noted)

		MIN	MAX	UNIT
V_{S+}	Supply voltage	2.85	5	V

PACKAGING/ORDERING INFORMATION

PACKAGED DEVICES	PACKAGE TYPE ⁽¹⁾	PART CODE	TRANSPORT MEDIA, QUANTITY
THS7318YZFT	Wafer Scale 9-pin	BYR	Tape and Reel, 250
THS7318YZFR			Tape and Reel, 3000

(1) For the most current package and ordering information, see the Package Option Addendum at the end of this document, or see the TI Web site at www.ti.com.

NanoFree™ Placement and Removal Procedures

These procedures are generic guidelines to rework NanoFree™ packages assembled on a 0.056-inch thick FR4 board. It's recommended to modify heating profiles for different board thicknesses and equipment used. The assembly process recommended below should be used with a new device. Do not reuse the part after it is removed.

Air-Vac Engineering (www.air-vac-eng.com) has established NanoFree™ reflow profiles for their Hot Gas (convection) rework equipment DRS-24NC. The NMX090DVG nozzle is recommended for use with the YZF package. Customers can use other comparable hot gas (convection) equipment and tooling.

Placement

1. Apply flux paste to component
2. Align device over pads
3. Place device on board. Care must be taken to prevent over-travel during placement which may damage the part or vacuum tip.
4. Raise nozzle 0.05"
5. Preheat board to 90°C, nozzle warming up 20% air flow, 125°C
6. Soak Stage—20% air flow, 225°C, 90 seconds
7. Ramp Stage—20% air flow, 335°C, 30 seconds
8. Reflow Stage—25% air flow, 370°C, 65 seconds
9. Cool down Stage—40% air flow, 25°C, 50 seconds

Removal

1. Apply flux paste to component
2. Align Nozzle over part to be removed
3. Maintain nozzle 0.050" over device. Care must be taken to prevent over-travel of the vacuum tip which may damage the part or vacuum tip when measuring this distance.
4. Preheat board to 90°C, nozzle warming up 20% air flow, 125°C
5. Soak Stage—20% air flow, 225°C, 90 seconds
6. Ramp Stage—20% air flow, 335°C, 30 seconds
7. Reflow Stage—25% air flow, 370°C, 65 seconds
8. Enable Vacuum at the end of the reflow cycle, lower vacuum nozzle, and remove part
9. Cool down Stage—40% air flow, 25°C, 50 seconds
10. Turn off the vacuum and remove part from nozzle.
11. Care should be used if the device is to be returned to TI for failure analysis. Using any metal tweezers or rough handling can damage the part, and render it un-analyzable.

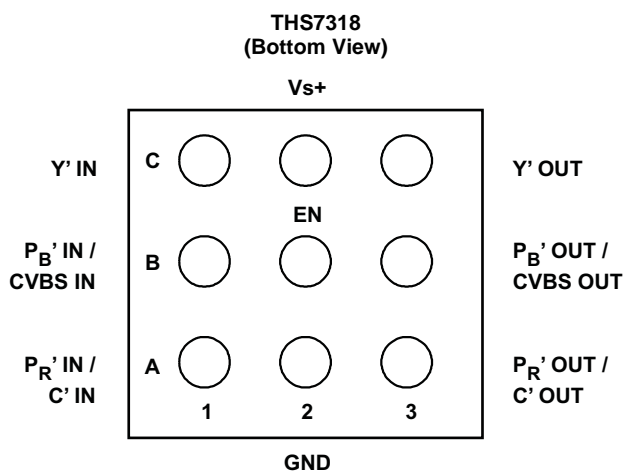
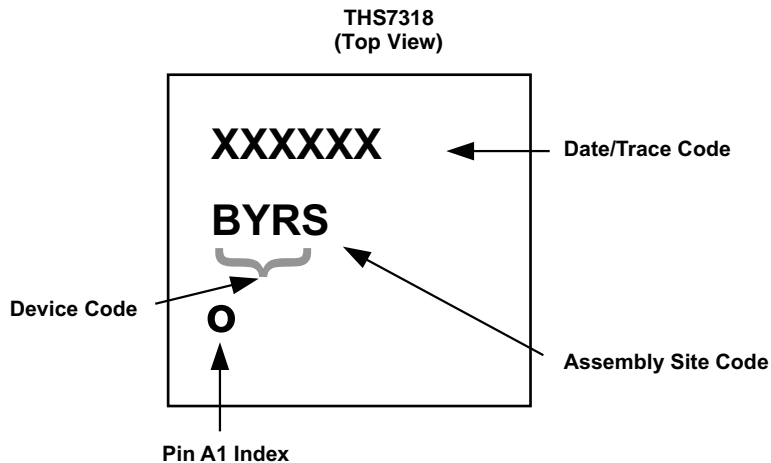
ELECTRICAL CHARACTERISTICS

$V_{S+} = 3.3V$, $27^{\circ}C$, Y' and P'_R / C' channels: $R_L = 150 \Omega$ and $C_L = 6.2 \text{ pF}$ to GND P'_B / CVBS channel: 75Ω and $C_L = 6.2 \text{ pF}$ to GND (unless otherwise noted)

PARAMETER		TEST CONDITIONS	MIN	TYP	MAX	UNIT	TEST LEVEL ⁽¹⁾
DC CHARACTERISTICS							
V _{SS}	Supply voltage range		2.85	3.3	5	V	B
I _Q	Quiescent supply current	EN = High	2.8	3.5	4.5	mA	A
V _{SD}	Shutdown supply current	EN = Low		0.150	<1	μA	A
	Output DC level shift voltage	All channels	110	150	200	mV	A
	Input bias current	Y' and P' _B / CVBS channels	-100	-160	-240	nA	A
		P' _R / C' channel	-170	-280	-415	nA	A
	Input resistance / capacitance			2.4/1		MΩ/pF	C
	Voltage gain		1.98	2	2.02	V/V	A
	Channel to Channel Gain Match	All Channels		±0.14	±1	%	A
PSRR	Power supply rejection	DC	47			dB	A
V _{OH}	Output voltage swing high	Y' and P' _R / C' channel, 150 Ω to GND	2.85	2.96		V	A
		P' _B / CVBS channel, 50 Ω to GND	2.6	2.9		V	A
	P' _B output high minus output offset	At $V_{S+} = 3.135 \text{ V}$, P' _B / CVBS channel, 50 Ω to GND	2.3	2.65		V	A
	Output short-circuit current	Y' and P' _R / C' channel		70		mA	C
		P' _B / CVBS channel		100		mA	C
	Max current into EN pin	EN = Low			<1	μA	A
		EN = High			<1	μA	A
	Disable threshold	Low = off			0.6	V	A
	Enable threshold	High = on	2.1			V	A
	Output impedance in shutdown	EN = Low		20		kΩ	C
AC PERFORMANCE							
	0.1 dB Bandwidth	Relative to 1 MHz		11		MHz	C
	±1.0 dB Bandwidth	Relative to 1 MHz	14	17		MHz	A
	-3 dB Bandwidth	Relative to 1 MHz	17	20		MHz	B
	Normalized stop band gain	f = 43 MHz, Relative to 1 MHz		-21	-12	dB	A
	Differential gain	NTSC and PAL		0.05		%	C
	Differential phase	NTSC and PAL		0.03		deg	C
	Group delay variation	f = 11 MHz w/ref to 1 MHz		4		ns	C
	Signal to noise ratio	V _{OUT} = 2-V _{PP} sine wave		62		dB	C
t _r /t _f	Rise / fall time	V _{OUT} = 2-V step		20		ns	C
	Positive/ negative slew rate	V _{OUT} = 2-V step		80		V/μs	C
	THD at 1MHz	At 1MHz, 2 V _{PP}		73		dBc	C

(1) Test levels:

- A) 100% tested at 25°C. Over-temperature limits set by characterization and simulation.
- B) Limits set by characterization and simulation.
- C) Typical value only for information.



TERMINAL FUNCTIONS

COL.	ROW	PIN NAME	DESCRIPTION
1	C	Y' IN	Luma input
1	B	P _B ' IN / CVBS IN	Component video input / composite video input
1	A	P _R ' IN / C' IN	Component video input / chroma input
2	C	V _{s+}	Positive power supply input
2	B	EN	Enable input. Logic high enables part. Logic low disables part. To insure proper operation, this pin must be driven and cannot be left floating.
2	A	GND	Ground reference pin for all internal circuitry
3	C	Y' OUT	Luma output
3	B	P _B ' OUT / CVBS OUT	Component video output / composite video output
3	A	P _R ' OUT / C' OUT	Component video output / chroma output

THS7318 DESCRIPTION

The THS7318 is an integrated analog video processor designed with integrated Butterworth filters and video line driver amplifiers to provide the analog signal conditioning required for EDTV signals in portable video applications.

The device accepts 3 inputs; Y' (Luma), $P'_B / CVBS$ (analog color difference with blue emphasis / composite video) and P'_R / C' (analog color difference with red emphasis / chroma), and provides 3 filtered and amplified outputs; Y' , $P'_B / CVBS$ and P'_R / C' .

The following are detailed descriptions of each channel.

CHANNEL DESCRIPTIONS

All channels are comprised of DC offset, 3rd order Butterworth low pass filter, and output buffer amplifier. All channels are same except the Y' and P'_R / C' output amplifiers are designed to drive one doubly terminated 75Ω video line and the $P'_B / CVBS$ output amplifier is designed to drive two doubly terminated 75Ω video lines. Even under the fault condition where one of the video lines is shorted, the $P'_B / CVBS$ output amplifier is capable of full video performance on the properly terminated output.

DC Offset

The DC offset circuit is used to insure the output is not driven into saturation and video signal is not compressed. The nominal output offset caused by this circuit is 150 mV.

3rd Order Butterworth Low Pass Filter

To reduce DAC images that cause aberrations in the video display, a 3rd order Butterworth low pass filter is inserted in the signal path. This DAC reconstruction filter is designed for video systems with 54 MSPS DAC sampling rates like NTSC/PAL 480p/576p EDTV and 480i/576i SDTV video, with nominal 0.1-dB flatness to 11 MHz, -3-dB bandwidth of 20 MHz, and 20 dB attenuation at 43 MHz.

Output Buffer Amplifier

The output buffer amplifiers are designed for a gain of 6 dB. The Y' and P'_R / C' output amplifiers are designed to drive one doubly terminated 75Ω video line and the $P'_B / CVBS$ output amplifier is designed to drive two doubly terminated 75Ω video lines. Even under the fault condition where one of the video lines is shorted, the $P'_B / CVBS$ output amplifier is capable of full video performance on the properly terminated output.

TYPICAL APPLICATION CIRCUITS

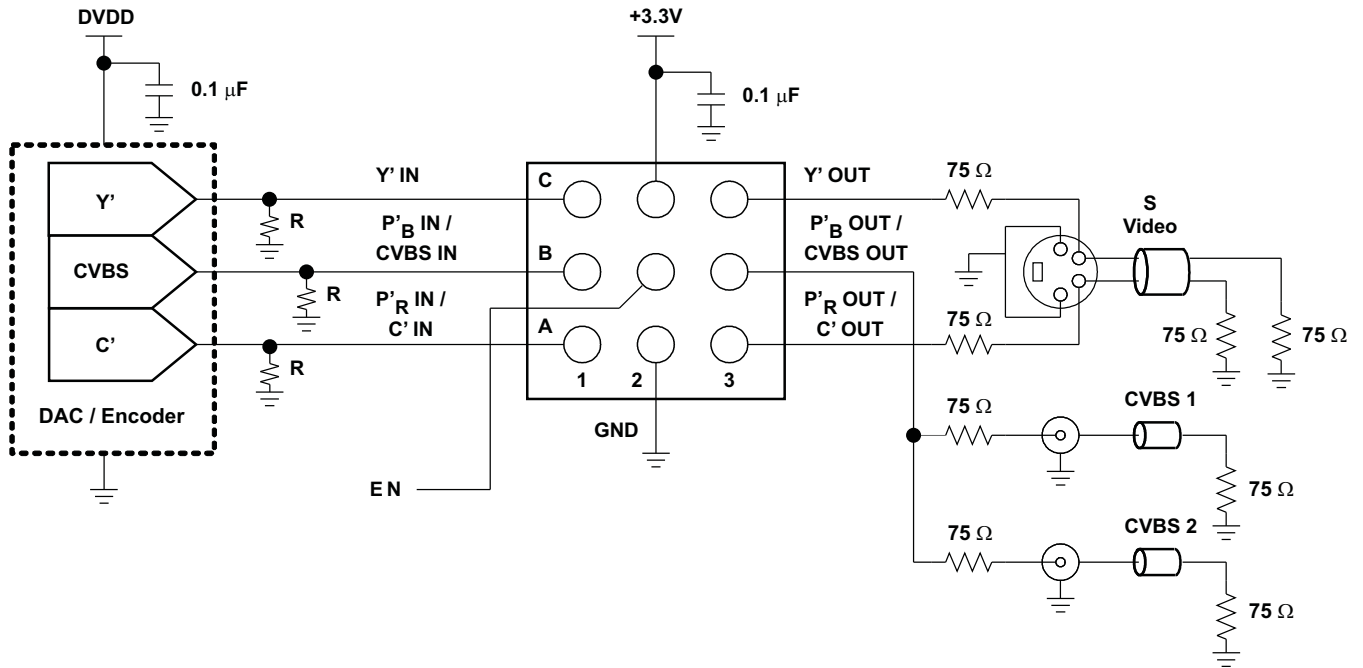


Figure 1. Application Drawing CVBS and S Video

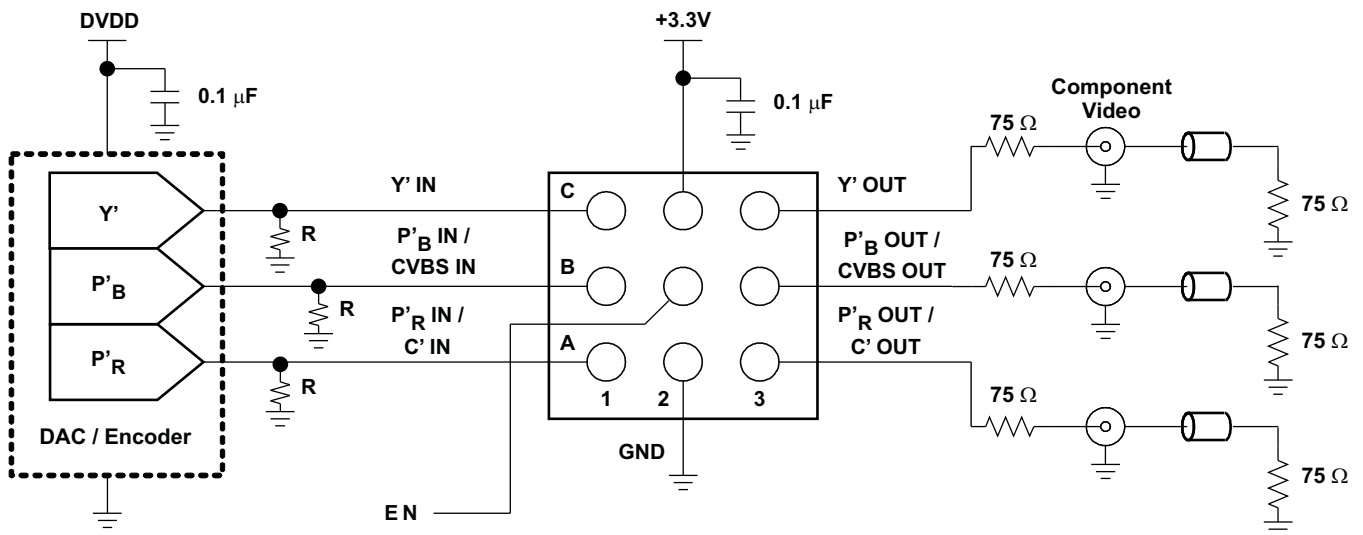
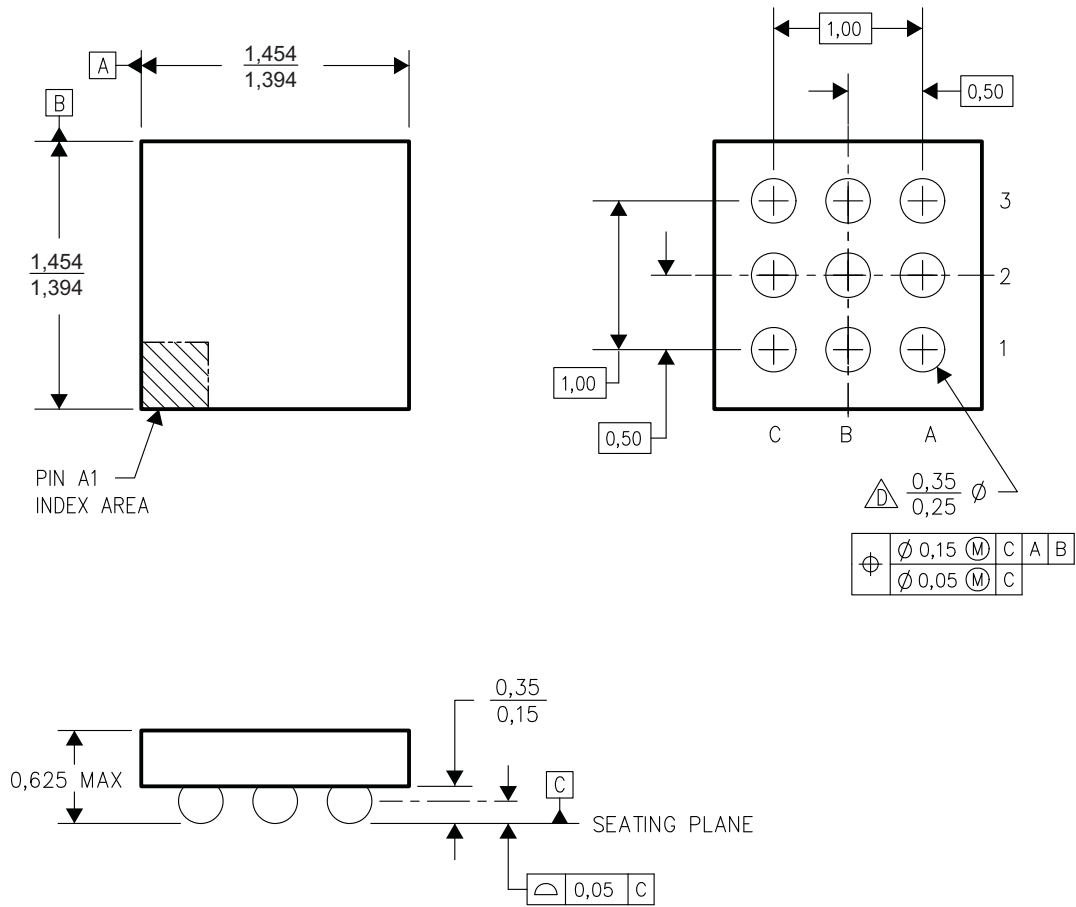


Figure 2. Application Drawing Component Video

MECHANICAL DATA



- NOTES:
- A. All linear dimensions are in millimeters.
 - B. This drawing is subject to change without notice.
 - C. NanoFree™ package configuration.
 - D. Reference Product Data Sheet for array population. 3 x 3 matrix pattern is shown for illustration only.
 - E. This package contains lead-free balls. Refer to YEF (Drawing #4204181) for tin-lead (SnPb) balls.

Figure 3. YZF Ball Grid Array Package Dimensions (in mm)

PACKAGING INFORMATION

Orderable Device	Status (1)	Package Type	Package Drawing	Pins	Package Qty	Eco Plan (2)	Lead/Ball Finish	MSL Peak Temp (3)	Op Temp (°C)	Top-Side Markings (4)	Samples
THS7318YZFR	ACTIVE	DSBGA	YZF	9	3000	Green (RoHS & no Sb/Br)	SNAGCU	Level-1-260C-UNLIM	-40 to 85	BYR	Samples
THS7318YZFT	ACTIVE	DSBGA	YZF	9	250	Green (RoHS & no Sb/Br)	SNAGCU	Level-1-260C-UNLIM	-40 to 85	BYR	Samples

(1) The marketing status values are defined as follows:

ACTIVE: Product device recommended for new designs.

LIFEBUY: TI has announced that the device will be discontinued, and a lifetime-buy period is in effect.

NRND: Not recommended for new designs. Device is in production to support existing customers, but TI does not recommend using this part in a new design.

PREVIEW: Device has been announced but is not in production. Samples may or may not be available.

OBSOLETE: TI has discontinued the production of the device.

(2) Eco Plan - The planned eco-friendly classification: Pb-Free (RoHS), Pb-Free (RoHS Exempt), or Green (RoHS & no Sb/Br) - please check <http://www.ti.com/productcontent> for the latest availability information and additional product content details.

TBD: The Pb-Free/Green conversion plan has not been defined.

Pb-Free (RoHS): TI's terms "Lead-Free" or "Pb-Free" mean semiconductor products that are compatible with the current RoHS requirements for all 6 substances, including the requirement that lead not exceed 0.1% by weight in homogeneous materials. Where designed to be soldered at high temperatures, TI Pb-Free products are suitable for use in specified lead-free processes.

Pb-Free (RoHS Exempt): This component has a RoHS exemption for either 1) lead-based flip-chip solder bumps used between the die and package, or 2) lead-based die adhesive used between the die and leadframe. The component is otherwise considered Pb-Free (RoHS compatible) as defined above.

Green (RoHS & no Sb/Br): TI defines "Green" to mean Pb-Free (RoHS compatible), and free of Bromine (Br) and Antimony (Sb) based flame retardants (Br or Sb do not exceed 0.1% by weight in homogeneous material)

(3) MSL, Peak Temp. -- The Moisture Sensitivity Level rating according to the JEDEC industry standard classifications, and peak solder temperature.

(4) Multiple Top-Side Markings will be inside parentheses. Only one Top-Side Marking contained in parentheses and separated by a "~" will appear on a device. If a line is indented then it is a continuation of the previous line and the two combined represent the entire Top-Side Marking for that device.

Important Information and Disclaimer: The information provided on this page represents TI's knowledge and belief as of the date that it is provided. TI bases its knowledge and belief on information provided by third parties, and makes no representation or warranty as to the accuracy of such information. Efforts are underway to better integrate information from third parties. TI has taken and continues to take reasonable steps to provide representative and accurate information but may not have conducted destructive testing or chemical analysis on incoming materials and chemicals. TI and TI suppliers consider certain information to be proprietary, and thus CAS numbers and other limited information may not be available for release.

In no event shall TI's liability arising out of such information exceed the total purchase price of the TI part(s) at issue in this document sold by TI to Customer on an annual basis.

TAPE AND REEL INFORMATION



QUADRANT ASSIGNMENTS FOR PIN 1 ORIENTATION IN TAPE



*All dimensions are nominal

Device	Package Type	Package Drawing	Pins	SPQ	Reel Diameter (mm)	Reel Width W1 (mm)	A0 (mm)	B0 (mm)	K0 (mm)	P1 (mm)	W (mm)	Pin1 Quadrant
THS7318YZFR	DSBGA	YZF	9	3000	180.0	8.4	1.65	1.65	0.81	4.0	8.0	Q1
THS7318YZFT	DSBGA	YZF	9	250	180.0	8.4	1.65	1.65	0.81	4.0	8.0	Q1

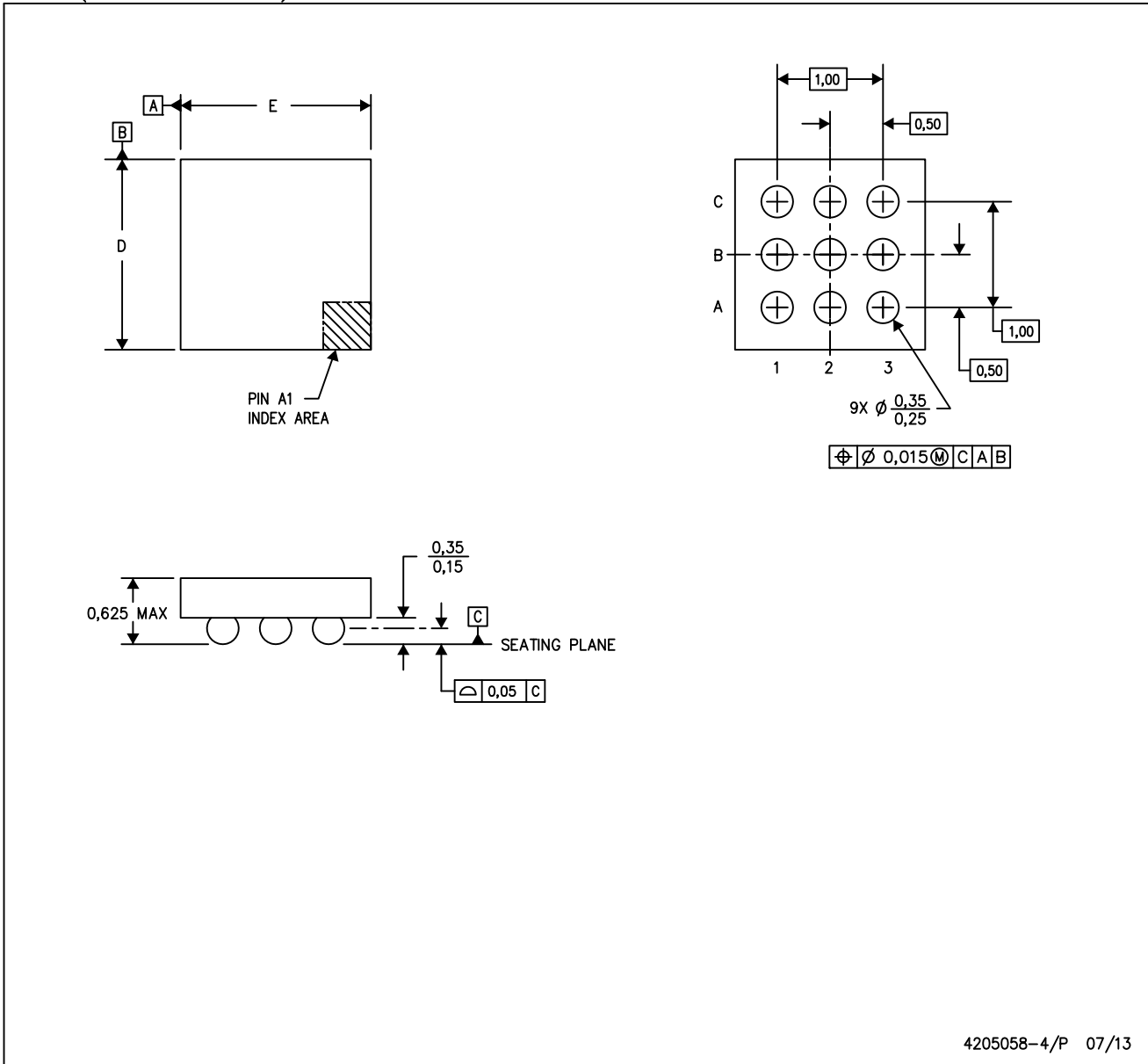
TAPE AND REEL BOX DIMENSIONS


*All dimensions are nominal

Device	Package Type	Package Drawing	Pins	SPQ	Length (mm)	Width (mm)	Height (mm)
THS7318YZFR	DSBGA	YZF	9	3000	220.0	220.0	34.0
THS7318YZFT	DSBGA	YZF	9	250	220.0	220.0	34.0

YZF (S-XBGA-N9)

DIE-SIZE BALL GRID ARRAY



- NOTES:
- A. All linear dimensions are in millimeters. Dimensioning and tolerancing per ASME Y14.5M-1994.
 - B. This drawing is subject to change without notice.
 - C. NanoFree™ package configuration.

NanoFree is a trademark of Texas Instruments.

IMPORTANT NOTICE

Texas Instruments Incorporated and its subsidiaries (TI) reserve the right to make corrections, enhancements, improvements and other changes to its semiconductor products and services per JESD46, latest issue, and to discontinue any product or service per JESD48, latest issue. Buyers should obtain the latest relevant information before placing orders and should verify that such information is current and complete. All semiconductor products (also referred to herein as "components") are sold subject to TI's terms and conditions of sale supplied at the time of order acknowledgment.

TI warrants performance of its components to the specifications applicable at the time of sale, in accordance with the warranty in TI's terms and conditions of sale of semiconductor products. Testing and other quality control techniques are used to the extent TI deems necessary to support this warranty. Except where mandated by applicable law, testing of all parameters of each component is not necessarily performed.

TI assumes no liability for applications assistance or the design of Buyers' products. Buyers are responsible for their products and applications using TI components. To minimize the risks associated with Buyers' products and applications, Buyers should provide adequate design and operating safeguards.

TI does not warrant or represent that any license, either express or implied, is granted under any patent right, copyright, mask work right, or other intellectual property right relating to any combination, machine, or process in which TI components or services are used. Information published by TI regarding third-party products or services does not constitute a license to use such products or services or a warranty or endorsement thereof. Use of such information may require a license from a third party under the patents or other intellectual property of the third party, or a license from TI under the patents or other intellectual property of TI.

Reproduction of significant portions of TI information in TI data books or data sheets is permissible only if reproduction is without alteration and is accompanied by all associated warranties, conditions, limitations, and notices. TI is not responsible or liable for such altered documentation. Information of third parties may be subject to additional restrictions.

Resale of TI components or services with statements different from or beyond the parameters stated by TI for that component or service voids all express and any implied warranties for the associated TI component or service and is an unfair and deceptive business practice. TI is not responsible or liable for any such statements.

Buyer acknowledges and agrees that it is solely responsible for compliance with all legal, regulatory and safety-related requirements concerning its products, and any use of TI components in its applications, notwithstanding any applications-related information or support that may be provided by TI. Buyer represents and agrees that it has all the necessary expertise to create and implement safeguards which anticipate dangerous consequences of failures, monitor failures and their consequences, lessen the likelihood of failures that might cause harm and take appropriate remedial actions. Buyer will fully indemnify TI and its representatives against any damages arising out of the use of any TI components in safety-critical applications.

In some cases, TI components may be promoted specifically to facilitate safety-related applications. With such components, TI's goal is to help enable customers to design and create their own end-product solutions that meet applicable functional safety standards and requirements. Nonetheless, such components are subject to these terms.

No TI components are authorized for use in FDA Class III (or similar life-critical medical equipment) unless authorized officers of the parties have executed a special agreement specifically governing such use.

Only those TI components which TI has specifically designated as military grade or "enhanced plastic" are designed and intended for use in military/aerospace applications or environments. Buyer acknowledges and agrees that any military or aerospace use of TI components which have **not** been so designated is solely at the Buyer's risk, and that Buyer is solely responsible for compliance with all legal and regulatory requirements in connection with such use.

TI has specifically designated certain components as meeting ISO/TS16949 requirements, mainly for automotive use. In any case of use of non-designated products, TI will not be responsible for any failure to meet ISO/TS16949.

Products

Audio	www.ti.com/audio
Amplifiers	amplifier.ti.com
Data Converters	dataconverter.ti.com
DLP® Products	www.dlp.com
DSP	dsp.ti.com
Clocks and Timers	www.ti.com/clocks
Interface	interface.ti.com
Logic	logic.ti.com
Power Mgmt	power.ti.com
Microcontrollers	microcontroller.ti.com
RFID	www.ti-rfid.com
OMAP Applications Processors	www.ti.com/omap
Wireless Connectivity	www.ti.com/wirelessconnectivity

Applications

Automotive and Transportation	www.ti.com/automotive
Communications and Telecom	www.ti.com/communications
Computers and Peripherals	www.ti.com/computers
Consumer Electronics	www.ti.com/consumer-apps
Energy and Lighting	www.ti.com/energy
Industrial	www.ti.com/industrial
Medical	www.ti.com/medical
Security	www.ti.com/security
Space, Avionics and Defense	www.ti.com/space-avionics-defense
Video and Imaging	www.ti.com/video

TI E2E Community

e2e.ti.com

Looking for pricing, stock, or lifecycle information?

Click below to explore more details on WIN SOURCE:

 [View THS7318YZFR on WIN SOURCE](#)

 [Texas Instruments](#) Information

Optimize Your Supply Chain with WIN SOURCE Solutions

-  Global Sourcing Solution
-  Obsolete Management
-  Cost Control Management
-  Shortage Management
-  Alternative Solution
-  Excess Inventory Management