



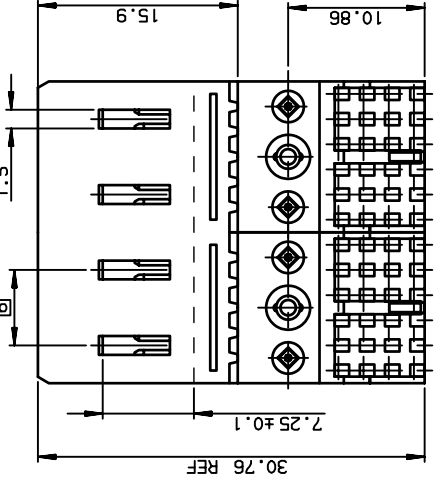
**THE DATASHEET OF**  
**85823-101**



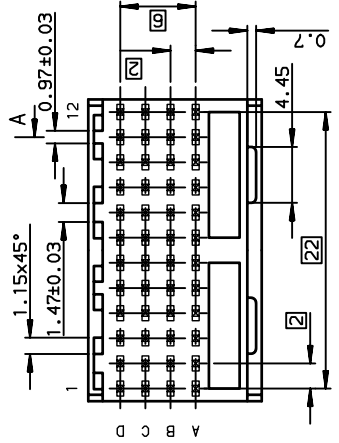
3

2

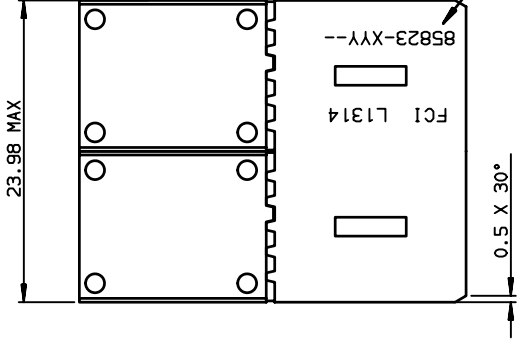
1



A



B



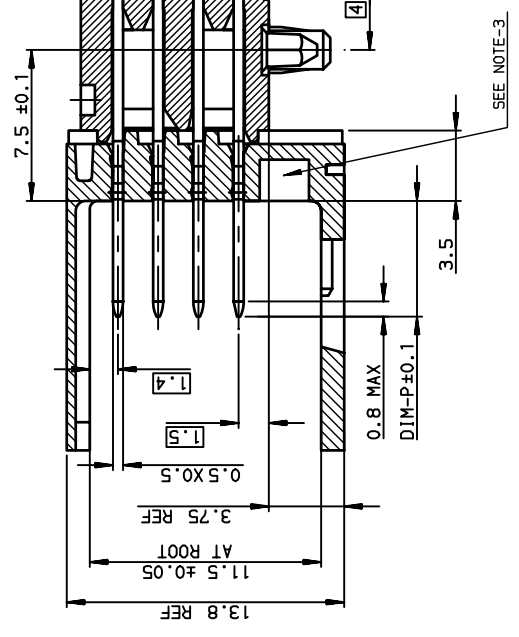
C

PART NUMBER	PERFORMANCE LEVEL
85823-1YY(LF)	STANDARD P/N, See Prod. Spec 65-12-446
85823-3YY(LF)	CUSTOMER SPECIAL , Specific Plating

**GENERAL CHARACTERISTICS**  
**SEE PRODUCT SPECIFICATION**

NOTE-2: ONE CENTER  
 NOTE-3: CODING RECEPTACLE  
 NOTE-4: PRODUCT MARKING  
 NOTE-5: PLATING ON CONTACT SURFACES  
 NOTE-6: CENTRAL WALL THICKNESS  
 NOTE-7: STANDARD PAINT  
 IN P/N, PACKAGING AND LABELING  
 Example: 85823-1YY(LF)

SECTION-A SCALE 4/1



Copyright FCI



OTHERS INFORMATION, SEE DRW 85823-2

www.fciconnect.com		surface ISO 1302		TOLERANCES UNLESS OTHERWISE SPECIFIED	
Dr	LENOIR	1991/04/21	ANGULAR	L INEAR	Product Family
Eng	LENOIR	1991/04/21	0.1X	± 2°	
Chr	LEGARE	1991/04/21			
Appr	LEGARE	1991/04/21			

rev	ecm no	dr	date
E	-	CHA	2003/07/02
F	L505-0056	MLE	2005/04/20
G	L506-0075	L60	2006/05/22
H	L506-0114	L60	2006/08/12
J	L507-0003	L60	2006/01/04
K	L507-0134	MLE	2007/05/14
L	L507-0143	MLE	2007/05/21



**METRAL RA HDR STB CON**  
 NB 4x12 -2MODULES -FMLB LOAD  
 catalog no

3

2

1

PDM: Rev:L

STATUS: R

PART NUMBER / CONTACT LOADING

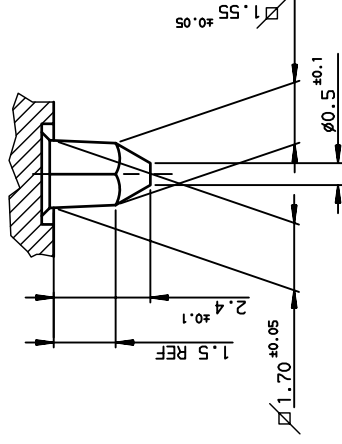
ROW-A	DIM-P ±0.10		DIM-D ±0.30	TIN LEAD PART NUMBER	LEAD FREE PART NUMBER
	ROW-B	ROW-C			
5.00	5.00	5.00	2.90	85823-X01	85823-X01LF
5.00	5.75	5.00	2.90	85823-X02	85823-X02LF
5.00	5.75	6.50	2.90	85823-X03	85823-X03LF
5.00	5.00	6.50	2.90	85823-X04	85823-X04LF
5.75	5.75	5.75	2.90	85823-X05	85823-X05LF
6.50	5.75	5.00	2.90	85823-X06	85823-X06LF
6.50	6.50	6.50	2.90	85823-X07	85823-X07LF
6.50	5.75	6.50	2.90	85823-X08	85823-X08LF
6.50	5.00	5.00	2.90	85823-X09	85823-X09LF
5.75	5.75	5.75	3.70	85823-X10	85823-X10LF
-	-	-	2.90	85823-X11	85823-X11LF

A

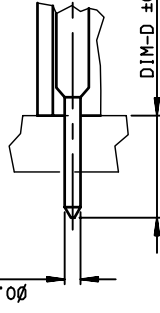
B

SEE NOTE-8

DETAIL OF LOCATING PEGS (2X) SCALE 8/1



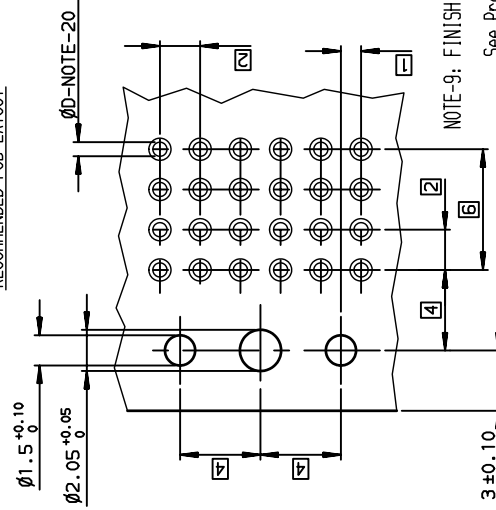
DETAIL-1: SOLDER PIN



NOTE-8: CONTACT LOADING SEPCIF 85

□	5.00	5.00	5.00	5.00	5.00	5.00	5.00	5.00	5.00
○	5.00	5.00	5.00	5.00	5.00	5.00	5.00	5.00	5.00
▣	5.00	5.00	5.00	5.00	5.00	5.00	5.00	5.00	5.00
◀	5.00	5.00	5.00	5.00	5.00	5.00	5.00	5.00	5.00

RECOMMENDED PCB LAYOUT



C

D



Copyright FCI.

OTHERS INFORMATIONS, SEE DRW 85823-1

www.fciconnect.com

surface ISO 1302

TOLERANCES UNLESS

Dr	LENOIR	1994/04/21	ANGULAR
Eng	LENOIR	1994/04/21	L INEAR
Chr	LEGARE	1994/04/21	0.XX' ±2"
Appr	LEGARE	1994/04/21	Product Family



METRAL RA HDR STB CON

NB 4x12 -2MODULES -FMLB LOAD

catalog no

rev	ecn no	dr	date
E	-	CHA	2003/07/02
F	L505-0056	L60	2005/04/20
G	L506-0075	L60	2006/05/22
H	L506-0114	L60	2006/08/12
J	L507-0003	L60	2007/01/04
K	L507-0134	MLE	2007/05/14
L	L507-0143	MLE	2007/05/21

PDM: Rev:L

STATUS: R

## Looking for pricing, stock, or lifecycle information?

Click below to explore more details on WIN SOURCE:

 [View 85823-101 on WIN SOURCE](#)

 [Amphenol FCI Information](#)

## Optimize Your Supply Chain with WIN SOURCE Solutions

-  Global Sourcing Solution
-  Obsolete Management
-  Cost Control Management
-  Shortage Management
-  Alternative Solution
-  Excess Inventory Management