



THE DATASHEET OF TDA7482





25W MONO CLASS-D AMPLIFIER

1 FEATURES

- 25W OUTPUT POWER:
RL = 8Ω/4Ω; THD = 10%
- HIGH EFFICIENCY
- WIDE SUPPLY VOLTAGE RANGE (UP TO ±25V)
- SPLIT SUPPLY
- OVERVOLTAGE PROTECTION
- ST-BY AND MUTE FEATURES
- SHORT CIRCUIT PROTECTION
- THERMAL OVERLOAD PROTECTION

2 DESCRIPTION

The TDA7482 is an audio class-D amplifier as-

Figure 1. Package

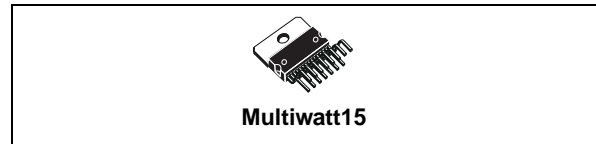


Table 1. Order Codes

Part Number	Package
TDA7482	Multiwatt15

sembled in Multiwatt15 package, specially designed for high efficiency applications mainly for TV and Home Stereo sets.

Figure 2. Test and Application Circuit.

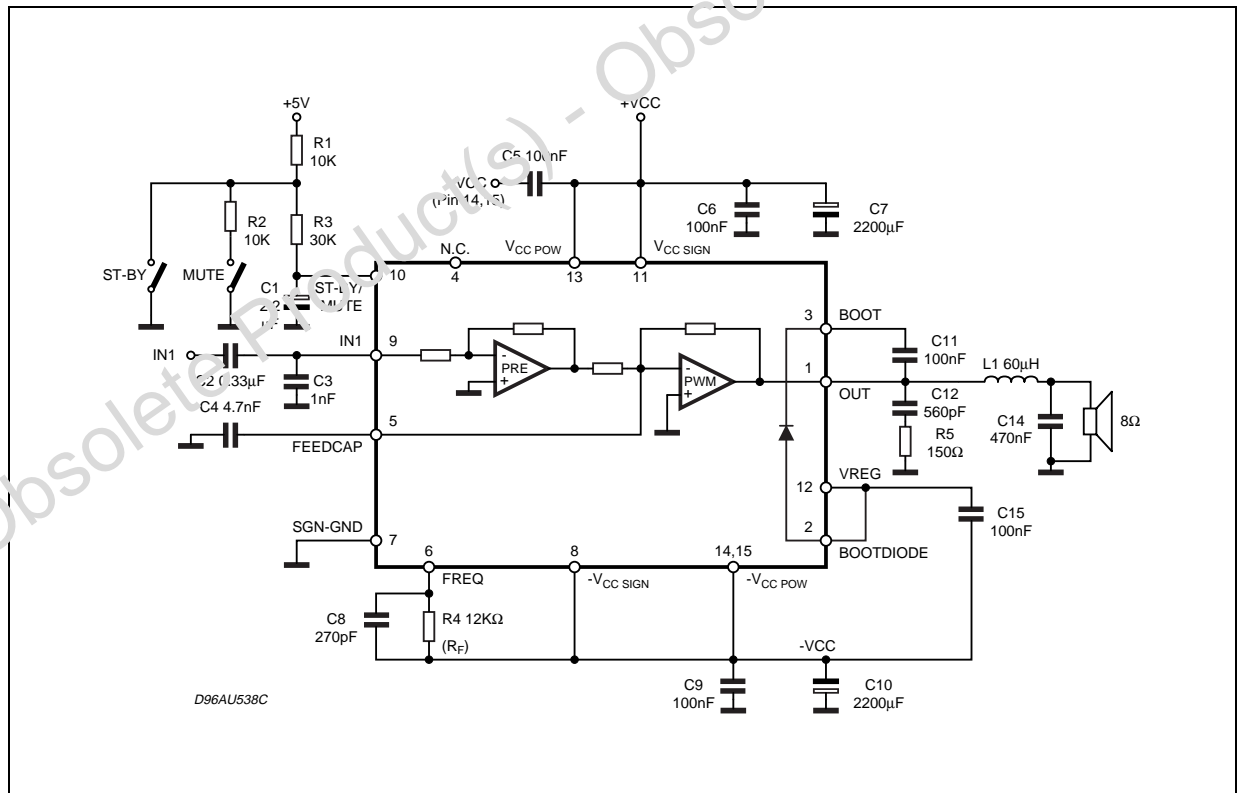


Table 2. Pin Description

N°	Pin	Function
1	OUT	PWM OUTPUT
2	BOOTDIODE	BOOTSTRAP DIODE ANODE
3	BOOT	BOOTSTRAP
4	NC	NOT CONNECTED
5	FEEDCAP	FEEDBACK INTEGRATING CAPACITOR
6	FREQ	SETTING FREQUENCY RESISTOR
7	SGN-GND	SIGNAL GROUND
8	-V _{CC} SIGN	SIGNAL NEGATIVE SUPPLY
9	IN	INPUT
10	ST-BY/MUTE	CONTROL STATE PIN
11	+V _{CC} SIGN	POSITIVE SIGNAL SUPPLY
12	VREG	INTERNAL VOLTAGE REGULATOR
13	+V _{CC} POW	POSITIVE POWER SUPPLY
14	-V _{CC} POW	NEGATIVE POWER SUPPLY (to be connected to pin 13 via C5)
15	-V _{CC} POW	NEGATIVE POWER SUPPLY (to be connected to pin 13 via C5)

Table 3. Absolute Maximum Ratings

Symbol	Parameter	Value	Unit
V _{CC}	DC Supply Voltage	±28	V
P _{tot}	Power Dissipation T _{case} = 70°C	35	W
T _{stg} , T _j	Storage and Junction Temperature -40 to 150	°C	
V _{FREQ}	Maximum Voltage Across RF (pin6)	8	V
T _{op}	Operating Temperature Range	0 to 70	°C
ESD	Max ESD on Pins	±1.2	KV

Figure 3.

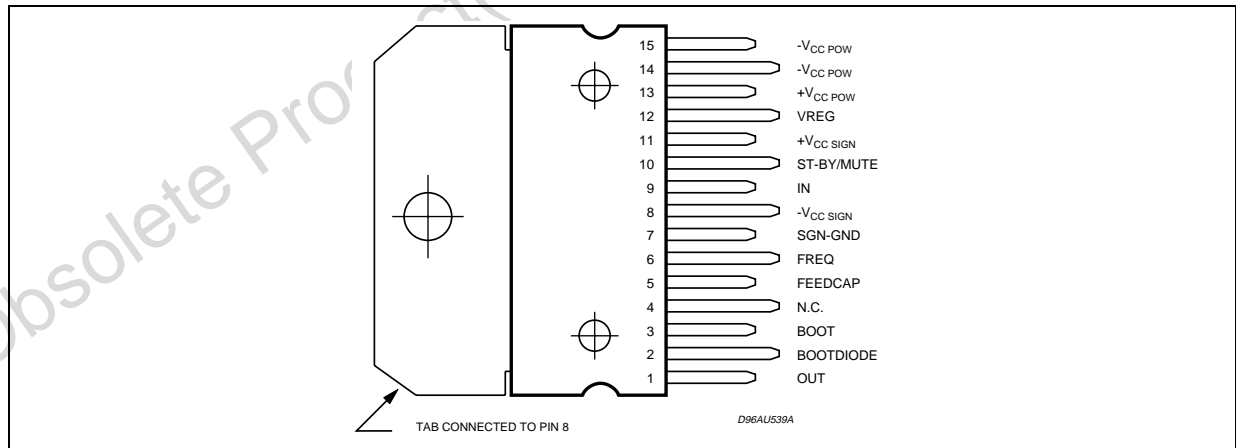


Table 4. Thermal Data

Symbol	Parameter	Value	Unit
T _{th j-case}	Thermal Resistance Junction-case	1.8 to 2.5	°C/W

Table 5. Electrical Characteristics (Refer to the test circuit, $V_{CC} = \pm 21V$; $R_L = 8\Omega$; $R_S = 50\Omega$; $R_F = 12K\Omega$; Demod.. filter $L = 60\mu H$, $C = 470nF$; $f = 1KHz$; $T_{amb} = 25^\circ C$ unless otherwise specified.)

Symbol	Parameter	Test Condition	Min.	Typ.	Max.	Unit
V_S	Supply Range		± 10		± 25	V
I_q	Total Quiescent Current	$R_L = \infty$, No LC Filter		40	60	mA
V_{OS}	Output Offset Voltage	Play Condition	-70	-30	10	mV
P_O	Output Power	THD = 10% THD = 1%	20 14	25 18		W W
P_O	Output Power	$R_L = 4\Omega$; $V_{CC} = \pm 16V$; THD = 10% THD = 1% (*)		25 18		W W
P_D	Maximum Dissipated Power	$V_{CC} = \pm 21V$; $R_L = 8\Omega$; $P_O = 25W$ THD 10%		3.8		W
η	Efficiency $= \frac{P_O}{P_O + P_D} = \frac{P_O}{P_I}$ (**)	$V_{CC} = \pm 21V$; $R_L = 8\Omega$; $P_O = 18W$ THD 10%		87		%
η_{max}	Top Efficiency maximum	$V_{CC} = \pm 25V$; $R_L = 8\Omega$; $P_O = 43W$ THD 20%		88.5		%
THD	Total Harmonic Distortion	$R_L = 8\Omega$; $P_O = 1W$		0.1		%
I_{max}	Overcurrent Protection Threshold	$R_L = 0$	3.5	5		A
T_j	Thermal Shut-down Junction Temperature			150		$^\circ C$
G_V	Closed Loop Gain		29	30	31	dB
e_N	Total Input Noise	A Curve $f = 20Hz$ to $22KHz$		7 12		μV μV
$V_{CCTOT MAX}$	Maximum Total V_{CC} Protection		50			V
R_i	Input Resistance		20	30		$k\Omega$
SVR	Supply Voltage Rejection	$f = 100Hz$; $V_r = 0.5$	46	60		dB
T_r, T_f	Rising and Falling Time			50		ns
R_{DSON}	Power Transistor on Resistance			0.4		Ω
F_{SW-OP}	Switching Frequency Operative Range		100		200	KHz
F_{SW}	Switching Frequency		100	120	140	KHz
B_F	Zero Signal Frequency Constant (***)			1.4×10^9		Hz Ω
R_F	Frequency Controller Resistor Range (****)		7	12	14	$K\Omega$
MUTE & STAND-BY FUNCTIONS						
V_{ST-BY}	Stand-by range				0.8	V
V_{MUTE}	Mute Range		1.8		2.5	V
V_{PLAY}	Play Range (1)		4			V
A_{MUTE}	Mute Attenuation		60	80		dB
I_{qST-BY}	Quiescent Current @ Stand-by			3	5	mA

*: The output LC filter must be changed to: $L = 30\mu H$; $C = 1\mu F$

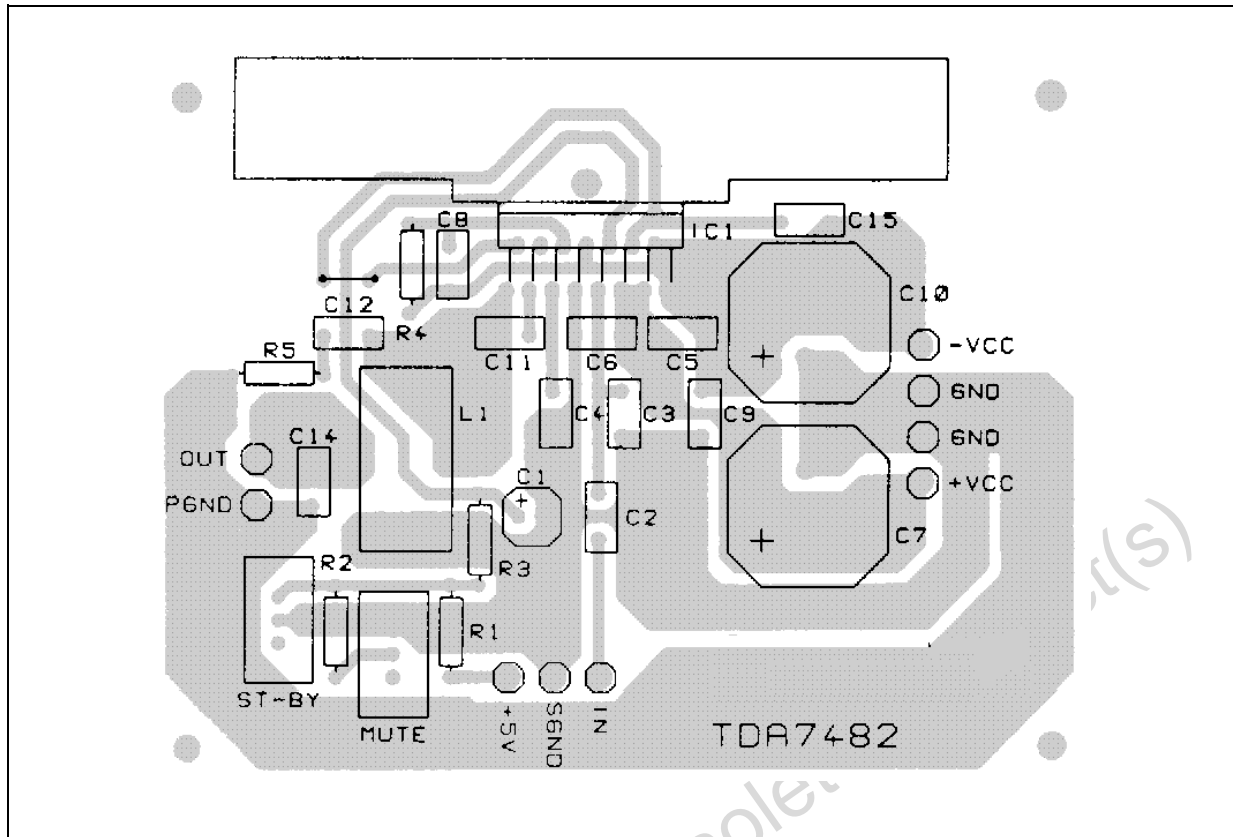
** P_O = measured across the load using the following inductor: COIL 58120 MPPA2 (magnetics) TURNS: 28 ϕ 1mm

***: The zero-signal switching frequency can be obtained using the following expression: $F_{SW} = B_F/R_F$

****: The maximum value of R_F is related to the maximum possible value for the voltage drop on R_F itself

(1) For $V_{10} > 5.2V$, an input impedance of $10K\Omega$ is to be considered

Figure 4. Recommended P.C. Board and Component Layout of the Circuit of Figure 2



Note: Capacitor C5 must be as close as possible to device's pins 13 and 14

Obsolete Product(s) - Obsolete

Figure 5. Multiwatt15 Mechanical Data & Package Dimensions

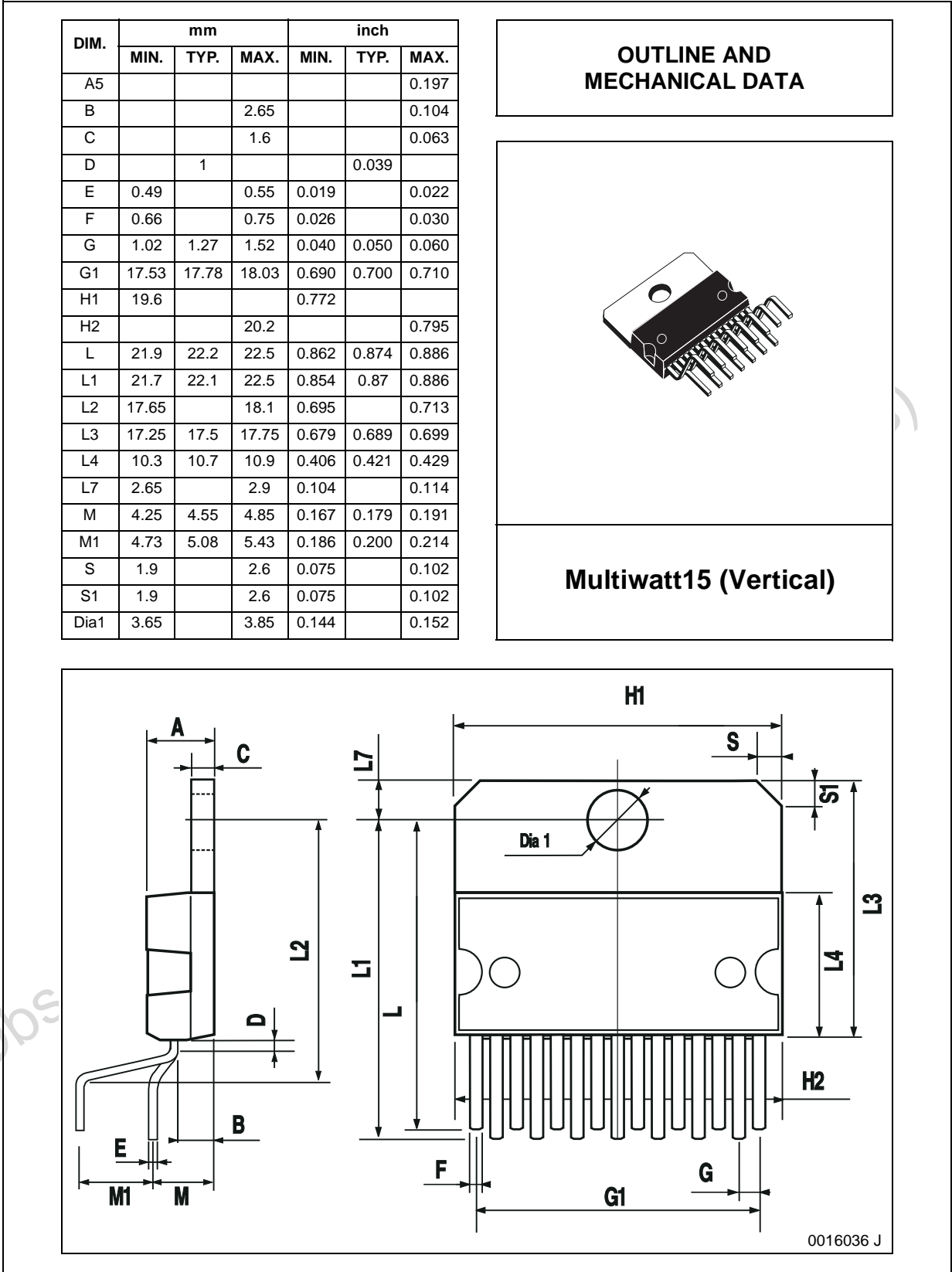


Table 1. Revision History

Date	Revision	Description of Changes
September 2003	3	First Issue in EDOCS
October 2004	4	Aligned the graphic style to be compliant with the new "Corporate Technical Publications Design Guide"

Obsolete Product(s) - Obsolete Product(s)

Information furnished is believed to be accurate and reliable. However, STMicroelectronics assumes no responsibility for the consequences of use of such information nor for any infringement of patents or other rights of third parties which may result from its use. No license is granted by implication or otherwise under any patent or patent rights of STMicroelectronics. Specifications mentioned in this publication are subject to change without notice. This publication supersedes and replaces all information previously supplied. STMicroelectronics products are not authorized for use as critical components in life support devices or systems without express written approval of STMicroelectronics.

The ST logo is a registered trademark of STMicroelectronics.
All other names are the property of their respective owners

© 2004 STMicroelectronics - All rights reserved

STMicroelectronics group of companies

Australia - Belgium - Brazil - Canada - China - Czech Republic - Finland - France - Germany - Hong Kong - India - Israel - Italy - Japan -
Malaysia - Malta - Morocco - Singapore - Spain - Sweden - Switzerland - United Kingdom - United States of America

www.st.com

Looking for pricing, stock, or lifecycle information?

Click below to explore more details on WIN SOURCE:

- ⊖ [View TDA7482](#) on WIN SOURCE
- ⊖ [STMicroelectronics](#) Information

Optimize Your Supply Chain with WIN SOURCE Solutions

- ✓ Global Sourcing Solution
- ✓ Obsolete Management
- ✓ Cost Control Management
- ✓ Shortage Management
- ✓ Alternative Solution
- ✓ Excess Inventory Management