

TDA1308

Class-AB stereo headphone driver

Rev. 5 — 14 March 2011

Product data sheet

1. General description

The TDA1308 is an integrated class-AB stereo headphone driver contained in an SO8 or a TSSOP8 plastic package. The device is fabricated in a 1 μm Complementary Metal Oxide Semiconductor (CMOS) process and has been primarily developed for portable digital audio applications.

2. Features and benefits

- Wide temperature range
- No switch ON/OFF clicks
- Excellent power supply ripple rejection
- Low power consumption
- Short-circuit resistant
- High performance
 - ◆ High signal-to-noise ratio
 - ◆ High slew rate
 - ◆ Low distortion
- Large output voltage swing

3. Quick reference data

Table 1. Quick reference data

$V_{DD} = 5\text{ V}$; $V_{SS} = 0\text{ V}$; $T_{amb} = 25\text{ }^{\circ}\text{C}$; $f_i = 1\text{ kHz}$; $R_L = 32\ \Omega$; unless otherwise specified.

Symbol	Parameter	Conditions	Min	Typ	Max	Unit
V_{DD}	supply voltage	single supply	3.0	5.0	7.0	V
		dual supply	1.5	2.5	3.5	V
V_{SS}	negative supply voltage	dual supply	-1.5	-2.5	-3.5	V
I_{DD}	supply current	no load	-	3	5	mA
P_{tot}	total power dissipation	no load	-	15	25	mW
P_o	output power	maximum; THD+N < 0.1 %	[1] -	40	80	mW
THD+N	total harmonic distortion-plus-noise		[1] -	0.03	0.06	%
			[1] -	-70	-65	dB
		$R_L = 5\text{ k}\Omega$	-	-101	-	dB
S/N	signal-to-noise ratio		100	110	-	dB



Table 1. Quick reference data ...continued

$V_{DD} = 5\text{ V}$; $V_{SS} = 0\text{ V}$; $T_{amb} = 25\text{ }^\circ\text{C}$; $f_i = 1\text{ kHz}$; $R_L = 32\text{ }\Omega$; unless otherwise specified.

Symbol	Parameter	Conditions	Min	Typ	Max	Unit
α_{cs}	channel separation		-	70	-	dB
		$R_L = 5\text{ k}\Omega$	[1]	105	-	dB
PSRR	power supply ripple rejection	$f_i = 100\text{ Hz}$; $V_{ripple(p-p)} = 100\text{ mV}$	-	90	-	dB
T_{amb}	ambient temperature		-40	-	+85	$^\circ\text{C}$

[1] $V_{DD} = 5\text{ V}$; $V_{o(p-p)} = 3.5\text{ V}$ (at 0 dB).

4. Ordering information

Table 2. Ordering information

Type number	Package		
	Name	Description	Version
TDA1308T	SO8	plastic small outline package; 8 leads; body width 3.9 mm	SOT96-1
TDA1308TT	TSSOP8	plastic thin shrink small outline package; 8 leads; body width 3 mm	SOT505-1

5. Block diagram

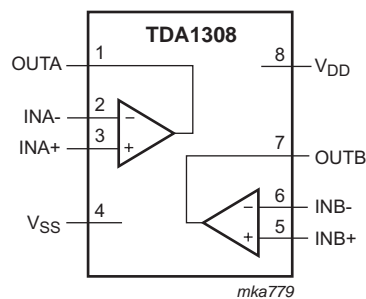
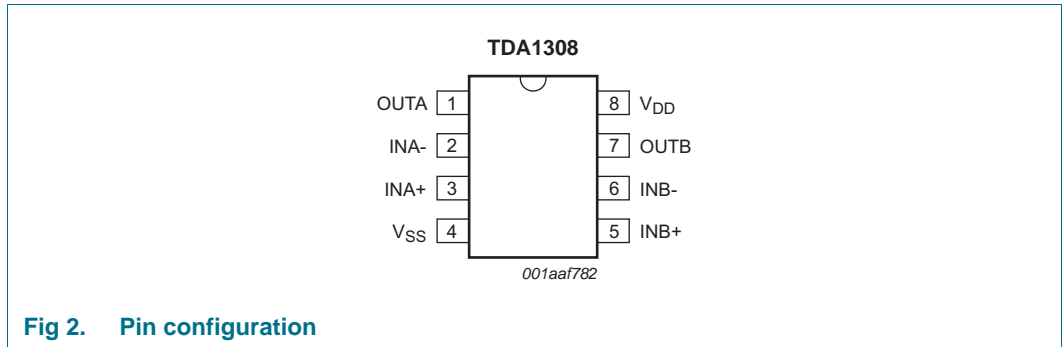


Fig 1. Block diagram

6. Pinning information

6.1 Pinning

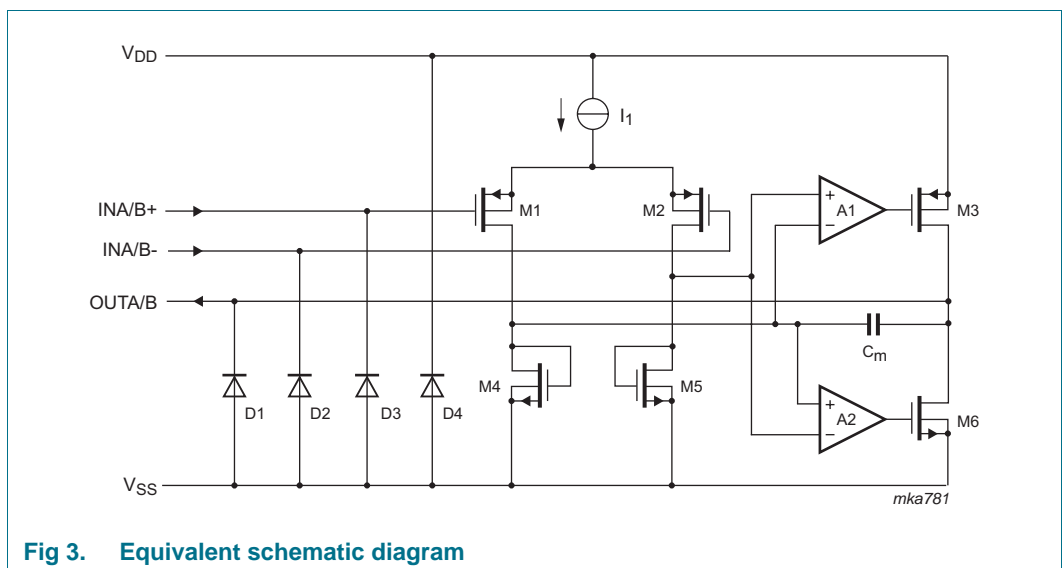


6.2 Pin description

Table 3. Pin description

Symbol	Pin	Description
OUTA	1	output A
INA-	2	inverting input A
INA+	3	non-inverting input A
V _{SS}	4	negative supply
INB+	5	non-inverting input B
INB-	6	inverting input B
OUTB	7	output B
V _{DD}	8	positive supply

7. Internal circuitry



8. Limiting values

Table 4. Limiting values

In accordance with the Absolute Maximum Rating System (IEC 60134).

Symbol	Parameter	Conditions	Min	Max	Unit
V_{DD}	supply voltage		0	8.0	V
t_{sc}	short-circuit duration time	output; $T_{amb} = 25\text{ °C}$; $P_{tot} = 1\text{ W}$	20	-	s
T_{stg}	storage temperature		-65	+150	°C
T_{amb}	ambient temperature		-40	+85	°C
V_{ESD}	electrostatic discharge voltage	HBM	[1] -2	+2	kV
		MM	[2] -200	+200	V

[1] Human body model (HBM): C = 100 pF; R = 1500 Ω ; 3 pulses positive plus 3 pulses negative.

[2] Machine model (MM): C = 200 pF; L = 0.5 mH; R = 0 Ω ; 3 pulses positive plus 3 pulses negative.

9. Thermal characteristics

Table 5. Thermal characteristics

Symbol	Parameter	Conditions	Typ	Unit
$R_{th(j-a)}$	thermal resistance from junction to ambient	SO8	210	K/W
		TSSOP8	220	K/W

10. Characteristics

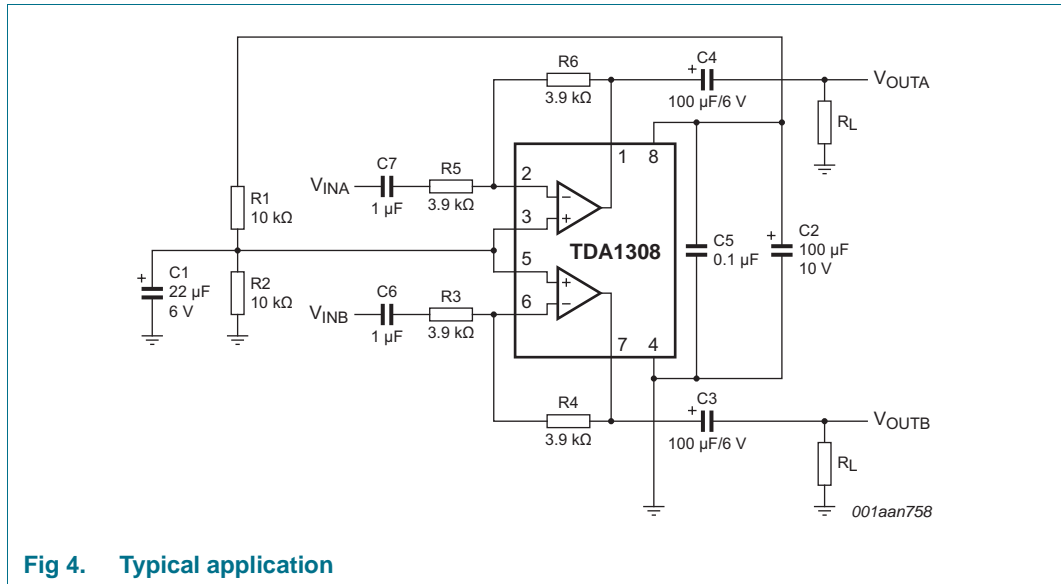
Table 6. Characteristics
 $V_{DD} = 5\text{ V}$; $V_{SS} = 0\text{ V}$; $T_{amb} = 25\text{ °C}$; $f_i = 1\text{ kHz}$; $R_L = 32\ \Omega$; unless otherwise specified.

Symbol	Parameter	Conditions	Min	Typ	Max	Unit
Supplies						
V_{DD}	supply voltage	single supply	3.0	5.0	7.0	V
		dual supply	1.5	2.5	3.5	V
V_{SS}	negative supply voltage	dual supply	-1.5	-2.5	-3.5	V
I_{DD}	supply current	no load	-	3	5	mA
P_{tot}	total power dissipation	no load	-	15	25	mW
Static characteristics						
$ V_{I(offset)} $	input offset voltage		-	10	-	mV
I_{IB}	input bias current		-	10	-	pA
V_{cm}	common-mode voltage		0	-	3.5	pA
$G_{v(ol)}$	open-loop voltage gain	$R_L = 5\text{ k}\Omega$	-	70	-	dB
I_O	output current	maximum	-	60	-	mA
R_o	output resistance	THD+N < 0.1 %	-	0.25	-	Ω
ΔV_O	output voltage variation		[1] 0.75	-	4.25	V
		$R_L = 16\ \Omega$	[1] 1.5	-	3.5	V
		$R_L = 5\text{ k}\Omega$	[1] 0.1	-	4.9	V
α_{cs}	channel separation		-	70	-	dB
		$R_L = 5\text{ k}\Omega$	[1] -	105	-	dB
PSRR	power supply ripple rejection	$f_i = 100\text{ Hz}$; $V_{ripple(p-p)} = 100\text{ mV}$	-	90	-	dB
C_L	load capacitance		-	-	200	pF
Dynamic characteristics						
THD+N	total harmonic distortion-plus-noise		[2] -	0.03	0.06	%
			[2] -	-70	-65	dB
		$R_L = 5\text{ k}\Omega$	[2] -	-101	-	dB
		$R_L = 5\text{ k}\Omega$	[2] -	0.0009	-	%
S/N	signal-to-noise ratio		100	110	-	dB
f_1	unity gain frequency	open-loop; $R_L = 5\text{ k}\Omega$	-	5.5	-	MHz
P_o	output power	maximum; THD+N < 0.1 %	-	40	80	mW
C_i	input capacitance		-	3	-	pF
SR	slew rate	unity gain inverting	-	5	-	V/ μ s
B	bandwidth	unity gain inverting	-	20	-	kHz

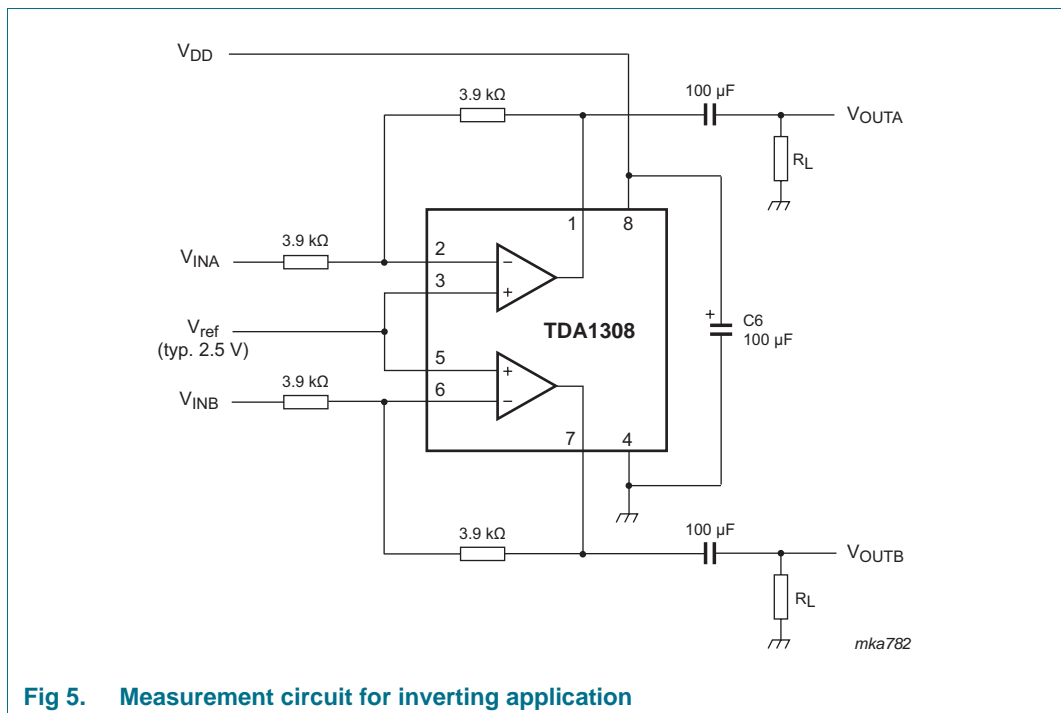
[1] Values are proportional to V_{DD} ; THD+N < 0.1 %.

[2] $V_{DD} = 5\text{ V}$; $V_{o(p-p)} = 3.5\text{ V}$ (at 0 dB).

11. Application information



12. Test information



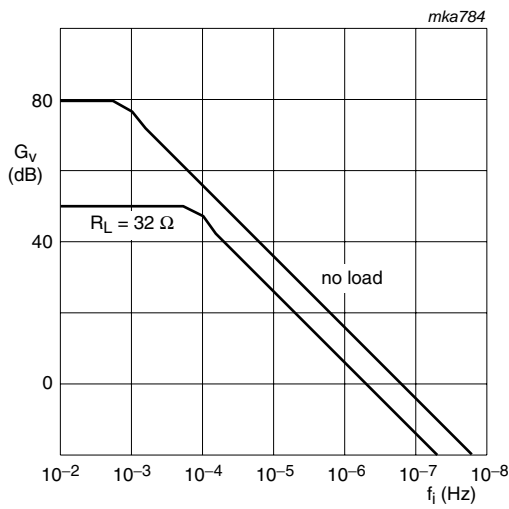


Fig 6. Open-loop gain as a function of input frequency

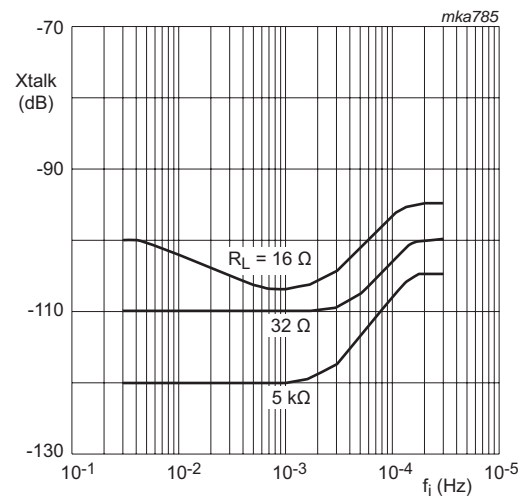


Fig 7. Crosstalk as a function of input frequency

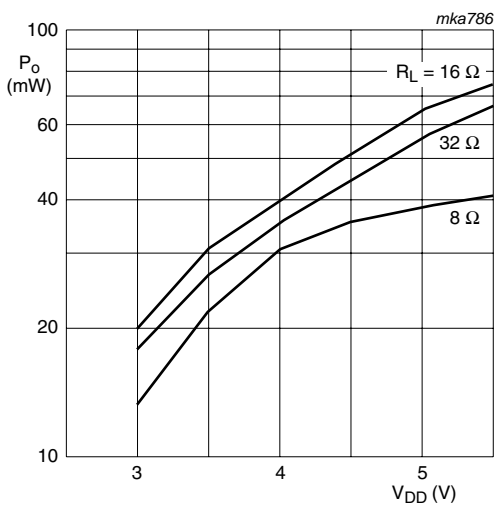


Fig 8. Output power as a function of supply voltage

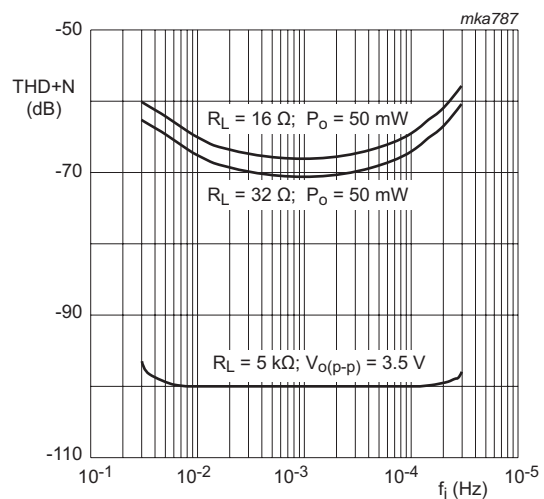


Fig 9. Total harmonic distortion plus noise ratio as a function of input frequency

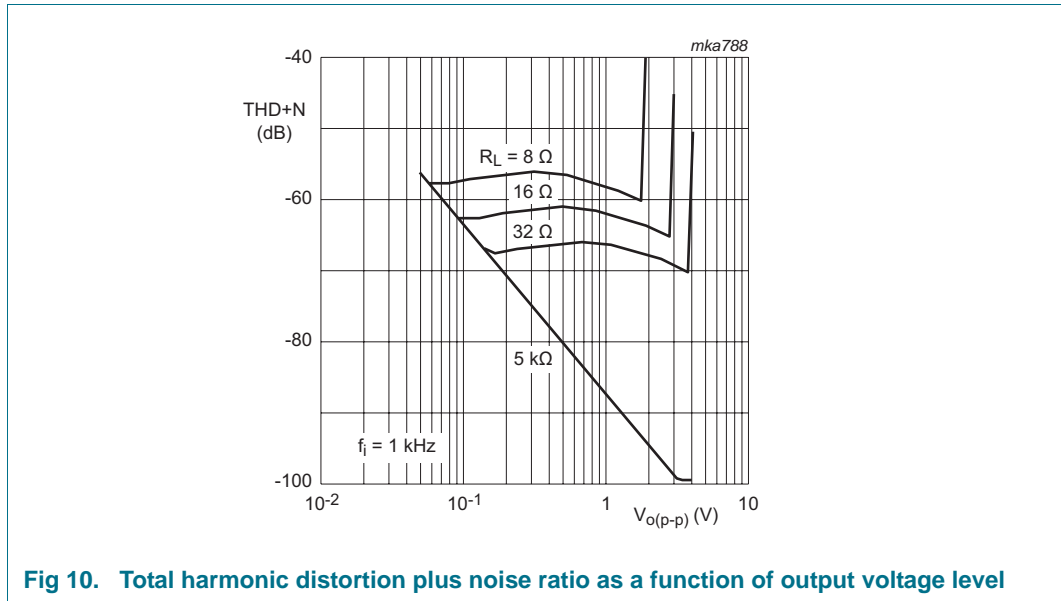


Fig 10. Total harmonic distortion plus noise ratio as a function of output voltage level

13. Package outline

SO8: plastic small outline package; 8 leads; body width 3.9 mm

SOT96-1

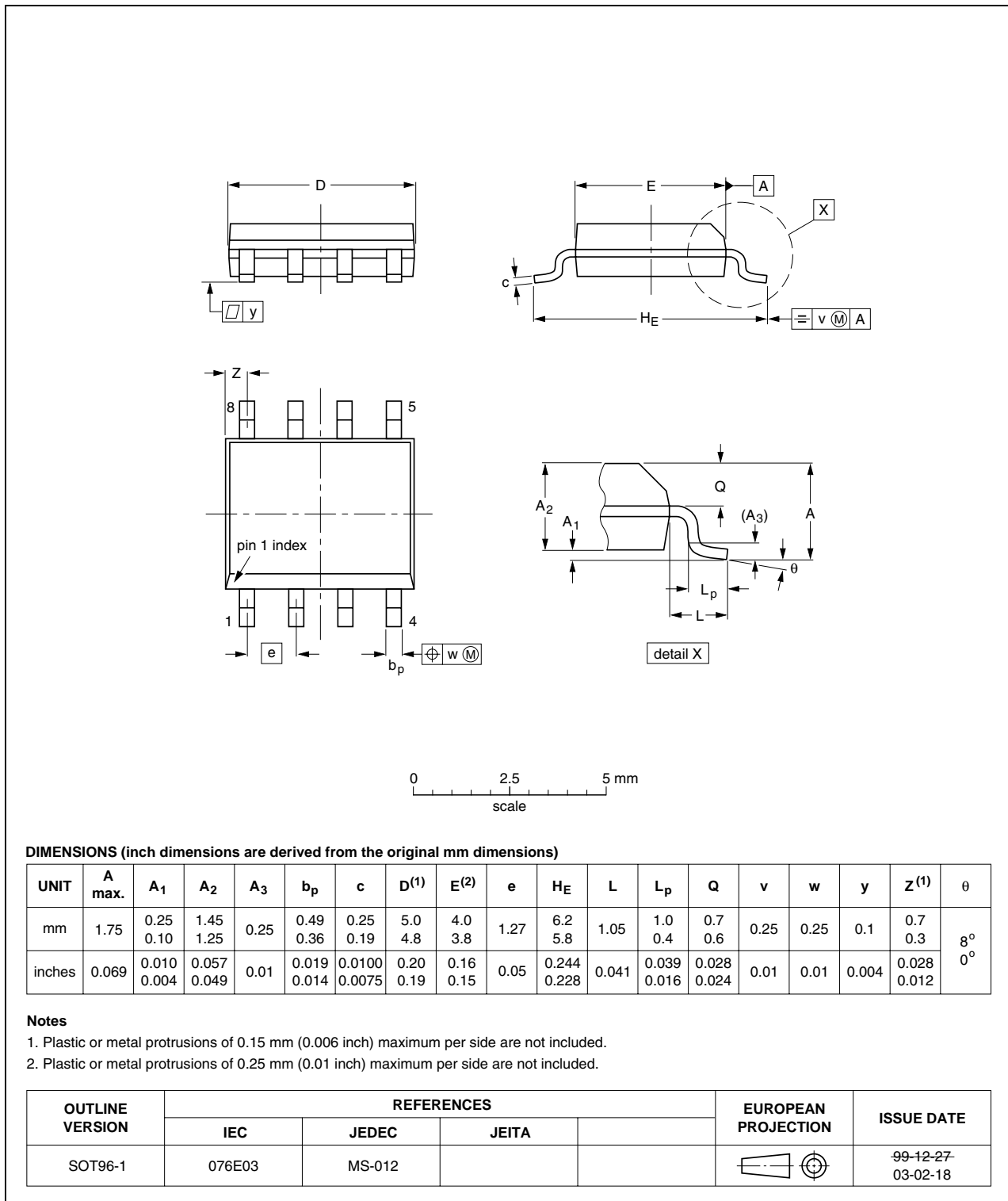


Fig 11. Package outline SOT96-1 (SO8)

TSSOP8: plastic thin shrink small outline package; 8 leads; body width 3 mm

SOT505-1

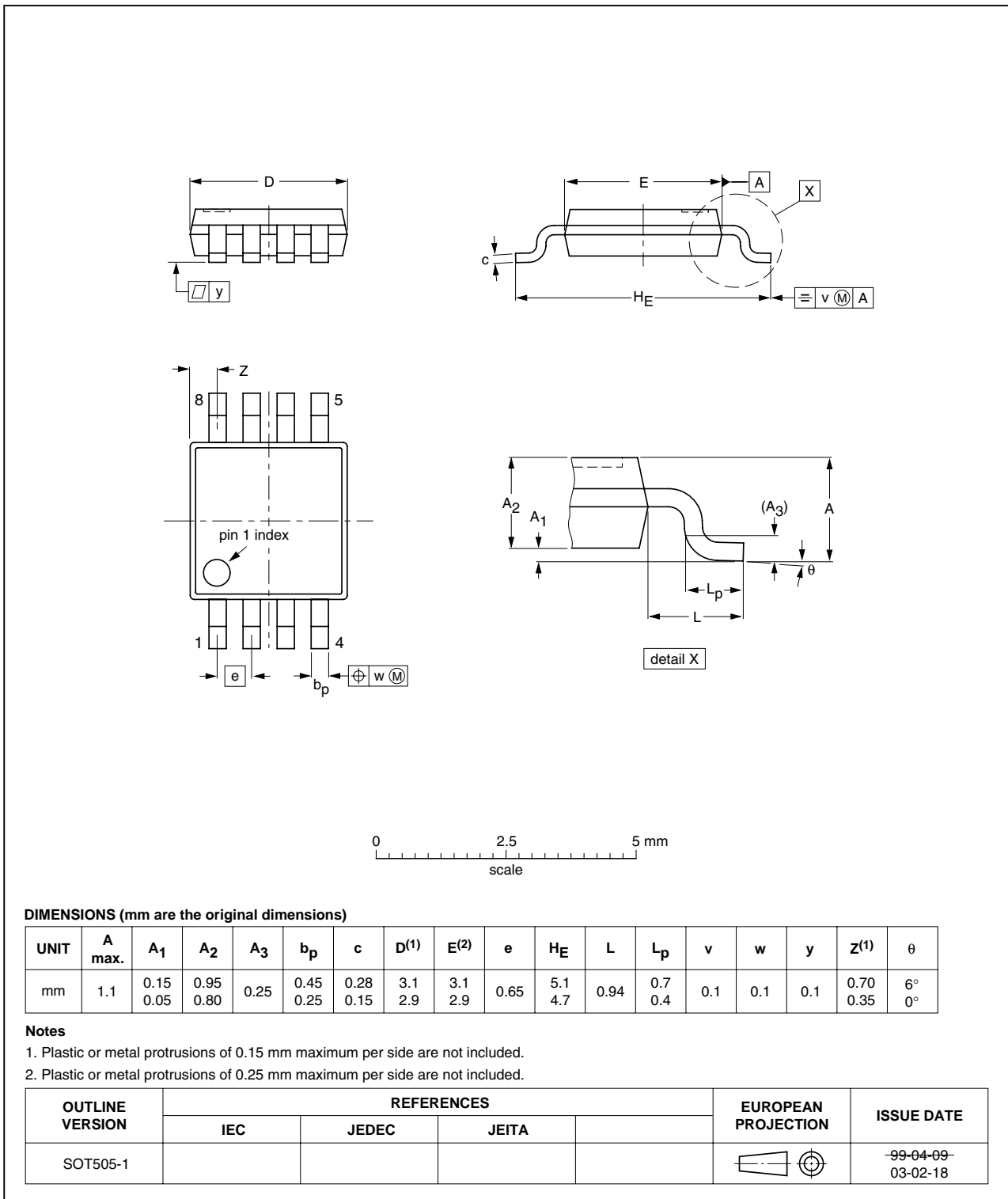


Fig 12. Package outline SOT505-1 (TSSOP8)

14. Soldering of SMD packages

This text provides a very brief insight into a complex technology. A more in-depth account of soldering ICs can be found in Application Note *AN10365 "Surface mount reflow soldering description"*.

14.1 Introduction to soldering

Soldering is one of the most common methods through which packages are attached to Printed Circuit Boards (PCBs), to form electrical circuits. The soldered joint provides both the mechanical and the electrical connection. There is no single soldering method that is ideal for all IC packages. Wave soldering is often preferred when through-hole and Surface Mount Devices (SMDs) are mixed on one printed wiring board; however, it is not suitable for fine pitch SMDs. Reflow soldering is ideal for the small pitches and high densities that come with increased miniaturization.

14.2 Wave and reflow soldering

Wave soldering is a joining technology in which the joints are made by solder coming from a standing wave of liquid solder. The wave soldering process is suitable for the following:

- Through-hole components
- Leaded or leadless SMDs, which are glued to the surface of the printed circuit board

Not all SMDs can be wave soldered. Packages with solder balls, and some leadless packages which have solder lands underneath the body, cannot be wave soldered. Also, leaded SMDs with leads having a pitch smaller than ~0.6 mm cannot be wave soldered, due to an increased probability of bridging.

The reflow soldering process involves applying solder paste to a board, followed by component placement and exposure to a temperature profile. Leaded packages, packages with solder balls, and leadless packages are all reflow solderable.

Key characteristics in both wave and reflow soldering are:

- Board specifications, including the board finish, solder masks and vias
- Package footprints, including solder thieves and orientation
- The moisture sensitivity level of the packages
- Package placement
- Inspection and repair
- Lead-free soldering versus SnPb soldering

14.3 Wave soldering

Key characteristics in wave soldering are:

- Process issues, such as application of adhesive and flux, clinching of leads, board transport, the solder wave parameters, and the time during which components are exposed to the wave
- Solder bath specifications, including temperature and impurities

14.4 Reflow soldering

Key characteristics in reflow soldering are:

- Lead-free versus SnPb soldering; note that a lead-free reflow process usually leads to higher minimum peak temperatures (see [Figure 13](#)) than a SnPb process, thus reducing the process window
- Solder paste printing issues including smearing, release, and adjusting the process window for a mix of large and small components on one board
- Reflow temperature profile; this profile includes preheat, reflow (in which the board is heated to the peak temperature) and cooling down. It is imperative that the peak temperature is high enough for the solder to make reliable solder joints (a solder paste characteristic). In addition, the peak temperature must be low enough that the packages and/or boards are not damaged. The peak temperature of the package depends on package thickness and volume and is classified in accordance with [Table 7](#) and [8](#)

Table 7. SnPb eutectic process (from J-STD-020C)

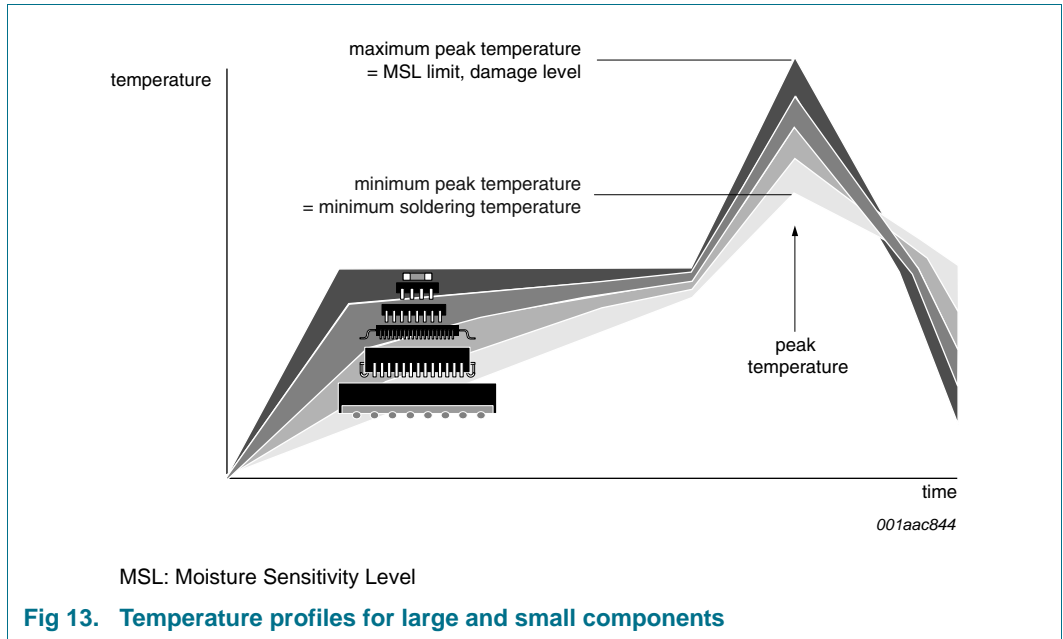
Package thickness (mm)	Package reflow temperature (°C)	
	Volume (mm ³)	
	< 350	≥ 350
< 2.5	235	220
≥ 2.5	220	220

Table 8. Lead-free process (from J-STD-020C)

Package thickness (mm)	Package reflow temperature (°C)		
	Volume (mm ³)		
	< 350	350 to 2000	> 2000
< 1.6	260	260	260
1.6 to 2.5	260	250	245
> 2.5	250	245	245

Moisture sensitivity precautions, as indicated on the packing, must be respected at all times.

Studies have shown that small packages reach higher temperatures during reflow soldering, see [Figure 13](#).



For further information on temperature profiles, refer to Application Note AN10365 “Surface mount reflow soldering description”.

15. Revision history

Table 9. Revision history

Document ID	Release date	Data sheet status	Change notice	Supersedes
TDA1308 v.5	20110314	Product data sheet	-	TDA1308_A_4
Modifications:	<ul style="list-style-type: none"> • Removed all references to type numbers TDA1308, TDA1308A, TDA1308AUK • Changed pin names INA(neg), INA(pos), INB(pos), INB(neg) to INA-, INA+, INB+ and INB- • Updated parameter symbols in Tables 4 and 6, and Figures 7, 9 and 10 • Replaced Figure 4 			
TDA1308_A_4	20070125	Product data sheet	-	TDA1308_A_3
TDA1308_A_3	20020719	Product specification	-	TDA1308_A_2
TDA1308_A_2	20020227	Product specification	-	TDA1308_1
TDA1308_1	19940905	Product specification	-	-

16. Legal information

16.1 Data sheet status

Document status ^{[1][2]}	Product status ^[3]	Definition
Objective [short] data sheet	Development	This document contains data from the objective specification for product development.
Preliminary [short] data sheet	Qualification	This document contains data from the preliminary specification.
Product [short] data sheet	Production	This document contains the product specification.

[1] Please consult the most recently issued document before initiating or completing a design.

[2] The term 'short data sheet' is explained in section "Definitions".

[3] The product status of device(s) described in this document may have changed since this document was published and may differ in case of multiple devices. The latest product status information is available on the Internet at URL <http://www.nxp.com>.

16.2 Definitions

Draft — The document is a draft version only. The content is still under internal review and subject to formal approval, which may result in modifications or additions. NXP Semiconductors does not give any representations or warranties as to the accuracy or completeness of information included herein and shall have no liability for the consequences of use of such information.

Short data sheet — A short data sheet is an extract from a full data sheet with the same product type number(s) and title. A short data sheet is intended for quick reference only and should not be relied upon to contain detailed and full information. For detailed and full information see the relevant full data sheet, which is available on request via the local NXP Semiconductors sales office. In case of any inconsistency or conflict with the short data sheet, the full data sheet shall prevail.

Product specification — The information and data provided in a Product data sheet shall define the specification of the product as agreed between NXP Semiconductors and its customer, unless NXP Semiconductors and customer have explicitly agreed otherwise in writing. In no event however, shall an agreement be valid in which the NXP Semiconductors product is deemed to offer functions and qualities beyond those described in the Product data sheet.

16.3 Disclaimers

Limited warranty and liability — Information in this document is believed to be accurate and reliable. However, NXP Semiconductors does not give any representations or warranties, expressed or implied, as to the accuracy or completeness of such information and shall have no liability for the consequences of use of such information.

In no event shall NXP Semiconductors be liable for any indirect, incidental, punitive, special or consequential damages (including - without limitation - lost profits, lost savings, business interruption, costs related to the removal or replacement of any products or rework charges) whether or not such damages are based on tort (including negligence), warranty, breach of contract or any other legal theory.

Notwithstanding any damages that customer might incur for any reason whatsoever, NXP Semiconductors' aggregate and cumulative liability towards customer for the products described herein shall be limited in accordance with the *Terms and conditions of commercial sale* of NXP Semiconductors.

Right to make changes — NXP Semiconductors reserves the right to make changes to information published in this document, including without limitation specifications and product descriptions, at any time and without notice. This document supersedes and replaces all information supplied prior to the publication hereof.

Suitability for use — NXP Semiconductors products are not designed, authorized or warranted to be suitable for use in life support, life-critical or safety-critical systems or equipment, nor in applications where failure or

malfunction of an NXP Semiconductors product can reasonably be expected to result in personal injury, death or severe property or environmental damage. NXP Semiconductors accepts no liability for inclusion and/or use of NXP Semiconductors products in such equipment or applications and therefore such inclusion and/or use is at the customer's own risk.

Applications — Applications that are described herein for any of these products are for illustrative purposes only. NXP Semiconductors makes no representation or warranty that such applications will be suitable for the specified use without further testing or modification.

Customers are responsible for the design and operation of their applications and products using NXP Semiconductors products, and NXP Semiconductors accepts no liability for any assistance with applications or customer product design. It is customer's sole responsibility to determine whether the NXP Semiconductors product is suitable and fit for the customer's applications and products planned, as well as for the planned application and use of customer's third party customer(s). Customers should provide appropriate design and operating safeguards to minimize the risks associated with their applications and products.

NXP Semiconductors does not accept any liability related to any default, damage, costs or problem which is based on any weakness or default in the customer's applications or products, or the application or use by customer's third party customer(s). Customer is responsible for doing all necessary testing for the customer's applications and products using NXP Semiconductors products in order to avoid a default of the applications and the products or of the application or use by customer's third party customer(s). NXP does not accept any liability in this respect.

Limiting values — Stress above one or more limiting values (as defined in the Absolute Maximum Ratings System of IEC 60134) will cause permanent damage to the device. Limiting values are stress ratings only and (proper) operation of the device at these or any other conditions above those given in the Recommended operating conditions section (if present) or the Characteristics sections of this document is not warranted. Constant or repeated exposure to limiting values will permanently and irreversibly affect the quality and reliability of the device.

Terms and conditions of commercial sale — NXP Semiconductors products are sold subject to the general terms and conditions of commercial sale, as published at <http://www.nxp.com/profile/terms>, unless otherwise agreed in a valid written individual agreement. In case an individual agreement is concluded only the terms and conditions of the respective agreement shall apply. NXP Semiconductors hereby expressly objects to applying the customer's general terms and conditions with regard to the purchase of NXP Semiconductors products by customer.

No offer to sell or license — Nothing in this document may be interpreted or construed as an offer to sell products that is open for acceptance or the grant, conveyance or implication of any license under any copyrights, patents or other industrial or intellectual property rights.

Export control — This document as well as the item(s) described herein may be subject to export control regulations. Export might require a prior authorization from national authorities.

Quick reference data — The Quick reference data is an extract of the product data given in the Limiting values and Characteristics sections of this document, and as such is not complete, exhaustive or legally binding.

Non-automotive qualified products — Unless this data sheet expressly states that this specific NXP Semiconductors product is automotive qualified, the product is not suitable for automotive use. It is neither qualified nor tested in accordance with automotive testing or application requirements. NXP Semiconductors accepts no liability for inclusion and/or use of non-automotive qualified products in automotive equipment or applications.

In the event that customer uses the product for design-in and use in automotive applications to automotive specifications and standards, customer (a) shall use the product without NXP Semiconductors' warranty of the

product for such automotive applications, use and specifications, and (b) whenever customer uses the product for automotive applications beyond NXP Semiconductors' specifications such use shall be solely at customer's own risk, and (c) customer fully indemnifies NXP Semiconductors for any liability, damages or failed product claims resulting from customer design and use of the product for automotive applications beyond NXP Semiconductors' standard warranty and NXP Semiconductors' product specifications.

16.4 Trademarks

Notice: All referenced brands, product names, service names and trademarks are the property of their respective owners.

17. Contact information

For more information, please visit: <http://www.nxp.com>

For sales office addresses, please send an email to: salesaddresses@nxp.com

18. Contents

1	General description	1
2	Features and benefits	1
3	Quick reference data	1
4	Ordering information	2
5	Block diagram	2
6	Pinning information	3
6.1	Pinning	3
6.2	Pin description	3
7	Internal circuitry	3
8	Limiting values	4
9	Thermal characteristics	4
10	Characteristics	5
11	Application information	6
12	Test information	6
13	Package outline	9
14	Soldering of SMD packages	11
14.1	Introduction to soldering	11
14.2	Wave and reflow soldering	11
14.3	Wave soldering	11
14.4	Reflow soldering	12
15	Revision history	14
16	Legal information	15
16.1	Data sheet status	15
16.2	Definitions	15
16.3	Disclaimers	15
16.4	Trademarks	16
17	Contact information	16
18	Contents	17

Please be aware that important notices concerning this document and the product(s) described herein, have been included in section 'Legal information'.

© NXP B.V. 2011.

All rights reserved.

For more information, please visit: <http://www.nxp.com>

For sales office addresses, please send an email to: salesaddresses@nxp.com

Date of release: 14 March 2011

Document identifier: TDA1308

Looking for pricing, stock, or lifecycle information?

Click below to explore more details on WIN SOURCE:

- ⊖ [View TDA1308T/N1 on WIN SOURCE](#)
- ⊖ [NXP / Nexperia Information](#)

Optimize Your Supply Chain with WIN SOURCE Solutions

- ✓ Global Sourcing Solution
- ✓ Obsolete Management
- ✓ Cost Control Management
- ✓ Shortage Management
- ✓ Alternative Solution
- ✓ Excess Inventory Management