



# THE DATASHEET OF TD2511

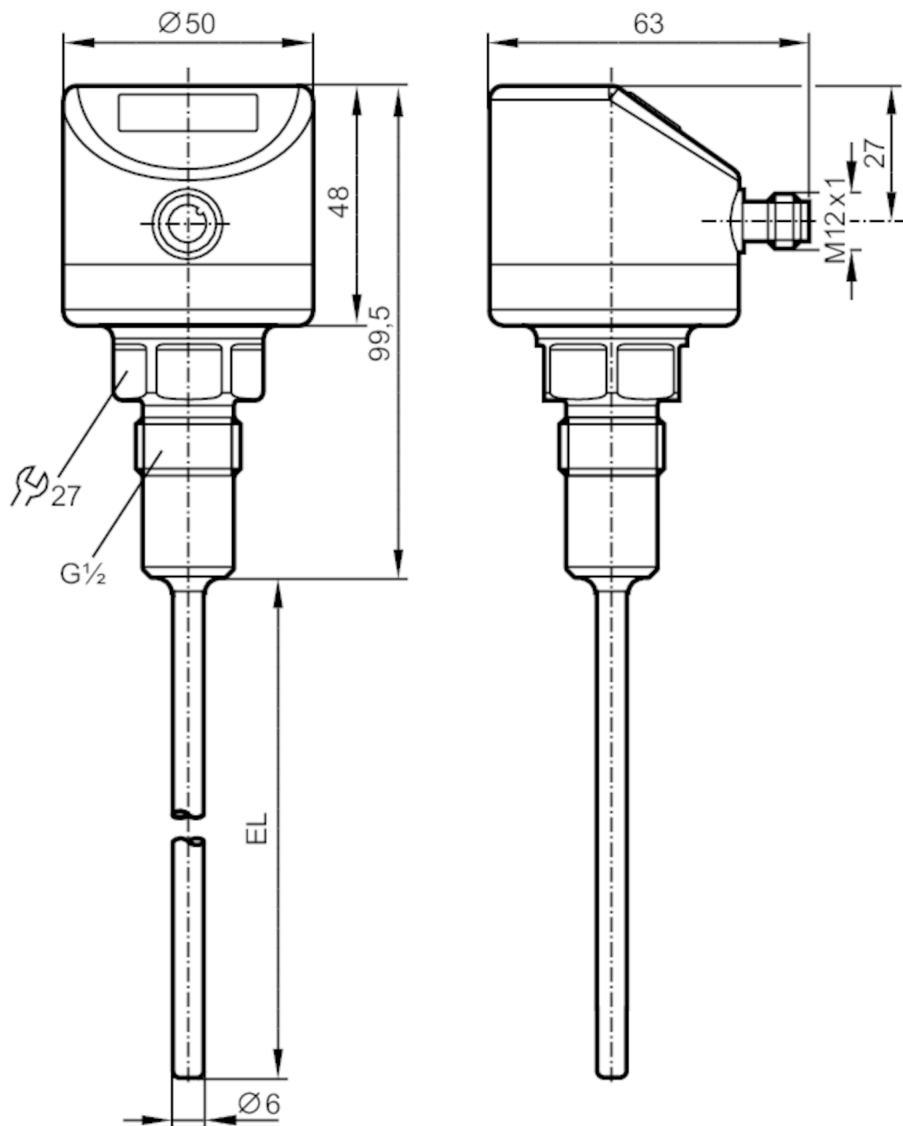


# TD2511



## Temperature transmitter with display

TD-050CFER12-A-ZVG/US



EL = installation length



### Product characteristics

Number of inputs and outputs	Number of analogue outputs: 1	
Measuring range	-50...150 °C	-58...302 °F
Communication interface	IO-Link	
Process connection	threaded connection G 1/2 sealing cone	
Installation length EL [mm]	50	

### Application

Measuring element	1 x Pt 1000; (to DIN EN 60751, class A)	
Media	liquids and gases	
Pressure rating [bar]	160	
Vacuum resistance [mbar]	-1000	

# TD2511



## Temperature transmitter with display

TD-050CFER12-A-ZVG/US

MAWP (for applications according to CRN)	[bar]	160
--	-------	-----

### Electrical data

Operating voltage	[V]	18...32 DC; ("supply class 2" to cULus)
Current consumption	[mA]	< 50
Protection class		III
Reverse polarity protection		yes
Power-on delay time	[s]	2

### Inputs / outputs

Number of inputs and outputs		Number of analogue outputs: 1
------------------------------	--	-------------------------------

### Outputs

Total number of outputs		1
Output signal		analogue signal; IO-Link; (configurable)
Number of analogue outputs		1
Analogue current output	[mA]	4...20
Max. load	[Ω]	300
Short-circuit protection		yes
Overload protection		yes

### Measuring/setting range

Measuring range	-50...150 °C	-58...302 °F
Factory setting		-10...150 °C

### Resolution

Resolution of analogue output	[K]	0.04
Resolution of display	[K]	0.1

### Accuracy / deviations

Precision analogue output	[K]	$\pm 0,3 + (\pm 0,1 \% MS)$
Temperature coefficient [% of the span / 10 K]		0,1; (in case of deviation from the reference condition 25 °C)

### Response times

Dynamic response T05 / T09	[s]	1 / 3
----------------------------	-----	-------

### Interfaces

Communication interface		IO-Link
Transmission type		COM2 (38,4 kBaud)
IO-Link revision		1.1

### Operating conditions

Ambient temperature	[°C]	-25...80
Storage temperature	[°C]	-40...100
Protection		IP 67; IP 68; IP 69K

### Tests / approvals

EMC	DIN EN 61000-6-2	
	DIN EN 61000-6-3	
Shock resistance	DIN IEC 68-2-27	50 g (11 ms)
Vibration resistance	DIN IEC 68-2-6	10 g (10...2000 Hz)

# TD2511



## Temperature transmitter with display

TD-050CFER12-A-ZVG/US

MTTF	[years]	405
Note on approval	factory certificate available as download at <a href="http://www.factory-certificate.ifm">www.factory-certificate.ifm</a>	
UL approval	UL Approval no.	K001

Mechanical data		
Weight	[g]	345.5
Materials	stainless steel (316L/1.4404); PEI; FKM	
Materials (wetted parts)	stainless steel (316L/1.4404) electropolished	
Tightening torque	[Nm]	30...50
Process connection	threaded connection G 1/2 sealing cone	
Surface characteristics Ra/Rz of the wetted parts	Ra: < 0.8	
Probe diameter	[mm]	6
Installation length EL	[mm]	50

Displays / operating elements		
Display	7-segment LED display, 4-digit display unit / status, °C / °F	

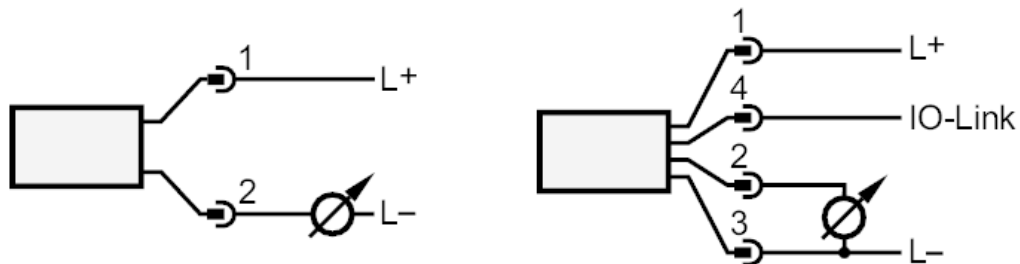
Remarks		
Remarks	MS = set measuring span The values for accuracy apply to flowing water.	
Pack quantity	1 pcs.	

### Electrical connection

Connector: 1 x M12; coding: A



### Connection



## Looking for pricing, stock, or lifecycle information?

Click below to explore more details on WIN SOURCE:

- ⊖ [View TD2511](#) on WIN SOURCE
- ⊖ [ifm efector, inc.](#) Information

## Optimize Your Supply Chain with WIN SOURCE Solutions

- ✓ Global Sourcing Solution
- ✓ Obsolete Management
- ✓ Cost Control Management
- ✓ Shortage Management
- ✓ Alternative Solution
- ✓ Excess Inventory Management