



**THE DATASHEET OF**  
**7B30-02-1**



### FEATURES

Interfaces, amplifies and filters unipolar and bipolar millivolt and voltage inputs.

Provides a protected precision output of either +1 V to +5 V or 0 V to +10 V.

A plug-in 250W current sensing resistor is provided to measure a process current input.

All 7B30 series modules are mix-and-match and Hot Swappable.

### APPLICATIONS

Industrial signal conditioning

Industrial signal isolation

Industrial signal filtering

### PRODUCT OVERVIEW

The 7B Series of signal conditioners feature small size, low cost and a wide output voltage range for a variety of applications including process control and factory-floor environments. The single-channel 7B modules accept inputs from a range of transducers and are fully rated over the extended -40°C to +85°C industrial temperature range. All 7B Series modules are rated for a nominal power supply input of +24 VDC; and, for maximum flexibility, they will accept supply voltages in the +14 VDC to +35 VDC range. The input modules, with the exception of the 7B21, provide a high-level output voltage that is factory configured for either the +1 V to +5 V or 0 V to +10 V range. The 7B21 is a unity gain, isolated input module with an input/output range of +10V. Output modules are available that provide either isolated process current or isolated bipolar voltage output. Model 7B39 converts either a +1 V to +5 V input to a 4 to 20 mA output or a 0 V to +10 V input to a 0-20 mA output. The input/output ranges of the 7B39 are factory configured. The 7B22 is a unity gain module that provides an isolated +10V output signal. All modules have a universal pin-out and may be readily hot-swapped under full power without disrupting field wiring. Each module accepts analog transducer signals and transfers them to a process control or factory data collection system without the inherent noise, non-linearity, drift and extraneous voltages which frequently accompany the signals.

#### Rev. 0

Information furnished by Analog Devices is believed to be accurate and reliable. However, no responsibility is assumed by Analog Devices for its use, nor for any infringements of patents or other rights of third parties that may result from its use. Specifications subject to change without notice. No license is granted by implication or otherwise under any patent or patent rights of Analog Devices. Trademarks and registered trademarks are the property of their respective companies.

### FUNCTIONAL BLOCK DIAGRAM

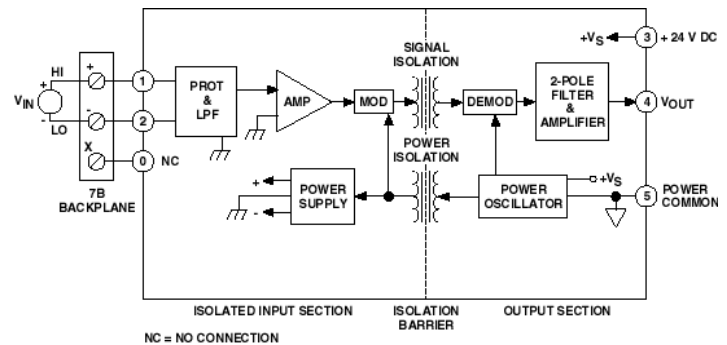


Figure 1. 7B30 Functional Block Diagram

The modules feature a maximum nonlinearity of  $\pm 0.02\%$  and are factory calibrated to guarantee a maximum accuracy specification of  $\pm 0.1\%$ .

The 7B Series offers up to 1500 V rms continuous common mode voltage isolation and 120 V rms of field wiring input protection. The power supplies necessary to drive each of the individual module's input circuitry are internally isolated, enabling the 7B Series modules to offer true channel-to-channel isolation of the input signals.

The modules directly accept analog signals from thermocouples, RTDs, current loop powered transmitters, and other process control signals. The 7B Series modules amplify, linearize, isolate, protect and convert the transducer output signals to standardized analog inputs for high-level analog I/O subsystems. The 7B Series Subsystem consists of 19-inch rack-compatible hardware (model AC 1363), with universal mounting backplane and a family of plug-in (up to 16 per backplane) input and output signal conditioning modules. Four-, eight-, and sixteen-channel backplanes are available. Each backplane incorporates screw terminals for easy power connections and field wiring, and includes a 25-pin D-type connector for interfacing the high-level single-ended voltage outputs to the user's equipment. Gold-plated sockets are provided on each channel of the backplane to ensure the reliability of each module's electrical connection.

## GENERAL DESCRIPTION

The 7B30 is a single-channel signal conditioning module that interfaces, amplifies and filters unipolar and bipolar milli-volt and voltage inputs and provides a protected precision output of either +1 V to +5 V or 0V to +10 V.

To measure a process current input, a plug-in 250W current sensing resistor, Model AC1391, may be installed directly on the 7B backplane, using available pin sockets. The external current sense resistor allows the current loop to be maintained even when the module is removed from the backplane. Model 7B30 features a nonlinearity of  $\pm 0.02\%$  maximum and an accuracy of  $\pm 0.1\%$  maximum ( $\pm 0.01\%$  typical). To accurately measure low level signals in electrically noisy environments, 1500 V rms of galvanic transformer-based isolation with a common mode rejection (CMR) of 160 dB @ 50/60 Hz and a normal mode rejection (NMR) of 60 dB @ 50/60 Hz are provided. Rated to operate with a nominal +24 VDC supply, Model 7B30 is nix-and-match and hot-swappable with other 7B Series input modules, so it can be inserted or removed from any socket in the same backplane without disturbing system power.

The floating differential input of Model 7B30 is fully protected

up to 120 V rms line voltage. A one-pole 3 Hz filter preconditions the input signal prior to amplification by a low drift input amplifier. Amplitude modulation is used to implement transformer isolation (1500 V rms input-t-output and power). Isolated front-end circuitry power is supplied by a DC/DC converter. The output section contains a two-pole output filter and subsequent buffer ensures that a low noise, low impedance ( $< 1\Omega$ ) signal is available at the output to drive loads of 2 k $\Omega$  minimum.



Figure 2

## 7B30 Models Available

Model	Input Range	Output Range
7B30-01-1	0 mV to +10 mV	+1 V to +5 V
7B30-01-2	0 mV to +10 mV	0 V to +10 V
7B30-02-1	0 mV to +100 mV	+1 V to +5 V
7B30-02-2	0 mV to +100 mV	0 V to +10 V
7B30-03-1	0 V to +1 V	+1 V to +5 V
7B30-03-2	0 V to +1 V	0 V to +10 V
7B30-05-1	+1 V to +5 V	+1 V to +5 V
7B30-05-1	+4 mA to +20 mA <sup>1</sup>	+1 V to +5 V
7B30-05-2	+1 V to +5 V	0 V to +10 V
7B30-05-2	0 mA to +20 mA <sup>1</sup>	0 V to +10 V
7B30-06-1	-10 mV to +10 mV	+1 V to +5 V
7B30-06-2	-10 mV to +10 mV	0 V to +10 V
7B30-07-1	-100 mV to +100 mV	+1 V to +5 V
7B30-07-2	-100 mV to +100 mV	0 V to +10 V
7B30-08-1	-1 V to +1 V	+1 V to +5 V
7B30-08-2	-1 V to +1 V	0 V to +10 V

<sup>1</sup>Models 7B30-05-1 and 7B30-05-2 may be used to measure a process current input by installing a 250  $\Omega$  current sensing resistor, such as Model AC1391, on the backplane. With this resistor installed, the current loop is maintained even when the module is removed from the backplane.

## 7B30 Specifications

(typical @ +23°C  $\pm$ 5°C and  $V_s = +24$  V dc)

Description	Model 7B30
	<b>Range<sup>1</sup></b>
Standard Range	$\pm$ 10 mV to $\pm$ 1 V (Refer to Model Table)
Custom Ranges	Not Available*
Output Range Options ( $R_L > 2$ k $\Omega$ )	+1 V to +5 V or 0 V to +10 V
	<b>Accuracy<sup>2</sup></b>
Initial @ +25°C	$\pm$ 0.01% Span ( $\pm$ 0.1% Span, maximum)
Nonlinearity <sup>3</sup>	$\pm$ 0.02% Span, maximum
Input Offset vs. Temperature	$\pm$ 0.5 $\mu$ V/ $^{\circ}$ C
Zero Suppression vs. Temperature	$\pm$ 0.005% ( $V_2$ ) <sup>4</sup> / $^{\circ}$ C
Span vs. Temperature	$\pm$ 35 ppm/ $^{\circ}$ C
Output Offset vs. Temperature	$\pm$ 0.002% Span/ $^{\circ}$ C

Input Bias Current	±1 nA
<b>Input Resistance</b>	
Power ON	10 MΩ
Power OFF	30 kΩ, minimum
<b>Output Noise</b>	
5 MHz Bandwidth	6 mV peak
10 Hz to 100 kHz Bandwidth	0.4 mV rms
0.1 Hz to 10 Hz Bandwidth	0.6 μV peak
Bandwidth, -3 dB	3 Hz
Output Rise Time, 10% to 90% Span	150 ms
<b>Common-Mode Voltage (CMV)</b>	
Input-to-Output and Power	1500 V rms, continuous
<b>Common Mode Rejection (CMR)</b>	
Input-to-Output and Power @ 50/60 Hz	160 dB
Normal Mode Rejection @ 50/60 Hz	60 dB
Input Protection	120 V rms, continuous±35 V dc, continuous
Input Transient Protection	ANSI/IEEE C376.90.1-1989IEEE-STD 472IEC 255-4, Class II
Output Resistance	< 1 Ω
Output Protection	Continuous Short to Ground
<b>Power Supply</b>	
Voltage Range, Operating	+14 V dc to +35 V dc
Current	+25 mA, maximum
Sensitivity	±0.0001%/ % of Vs
Mechanical Dimensions	1.663" x 2.11" x 0.563"(42.24 mm x 53.6 mm x 14.3 mm)
Weight	60 grams
<b>Environmental</b>	
Temperature Range	
Operating	-40°C to +85°C
Storage	-40°C to +85°C
Relative Humidity, 24 hours	0 to 90% @ +60°C non-condensing
ESD Sensitivity	IEC 801-2, Level 2
RFI Susceptibility	±0.5% Span error @ 400 MHz, 5 Watt, 3 ft

Warm-up time required to meet specifications is approximately 10 minutes.

\* Contact factory for OEM requirements.

<sup>1</sup> Model 7B30 may be used to measure a process current input by installing a 250 Ω current sensing resistor, such as Model AC1391, on the backplane. With this resistor, the current loop is maintained even when the 7B30 module is removed from the backplane.

<sup>2</sup> Includes the combined effects of repeatability, hysteresis, and nonlinearity.

<sup>3</sup> Nonlinearity is calculated using best-fit straight line method.

<sup>4</sup> Vz is the nominal input voltage that results in a 0 V output.

*Specifications subject to change without notice.*

# PIN CONFIGURATIONS AND FUNCTIONAL DESCRIPTIONS

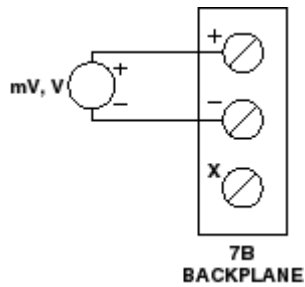


Figure 3 7B30 Input Field Connections

Table 1. Pin Function Descriptions—

Pin No.	Input Module Function	Output Module Function
0	SENSOR INPUT	NOT USED
1	INPUT HIGH	OUTPUT HIGH
2	INPUT LOW	OUTPUT LOW
3	POWER SUPPLY (DC)	POWER SUPPLY (DC)
4	OUTPUT VOLTAGE	INPUT VOLTAGE
5	OUTPUT & POWER COMMON	INPUT AND POWER COMMON

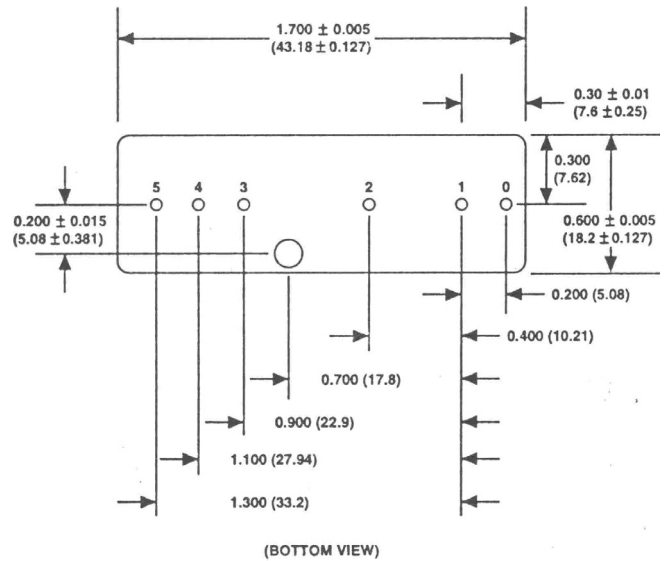


Figure 4 . Model 7B Series Module, with pin-out assignments.

## ESD CAUTION

ESD (electrostatic discharge) sensitive device. Electrostatic charges as high as 4000 V readily accumulate on the human body and test equipment and can discharge without detection. Although this product features proprietary ESD protection circuitry, permanent damage may occur on devices subjected to high energy electrostatic discharges. Therefore, proper ESD precautions are recommended to avoid performance degradation or loss of functionality.



# OUTLINE DIMENSIONS

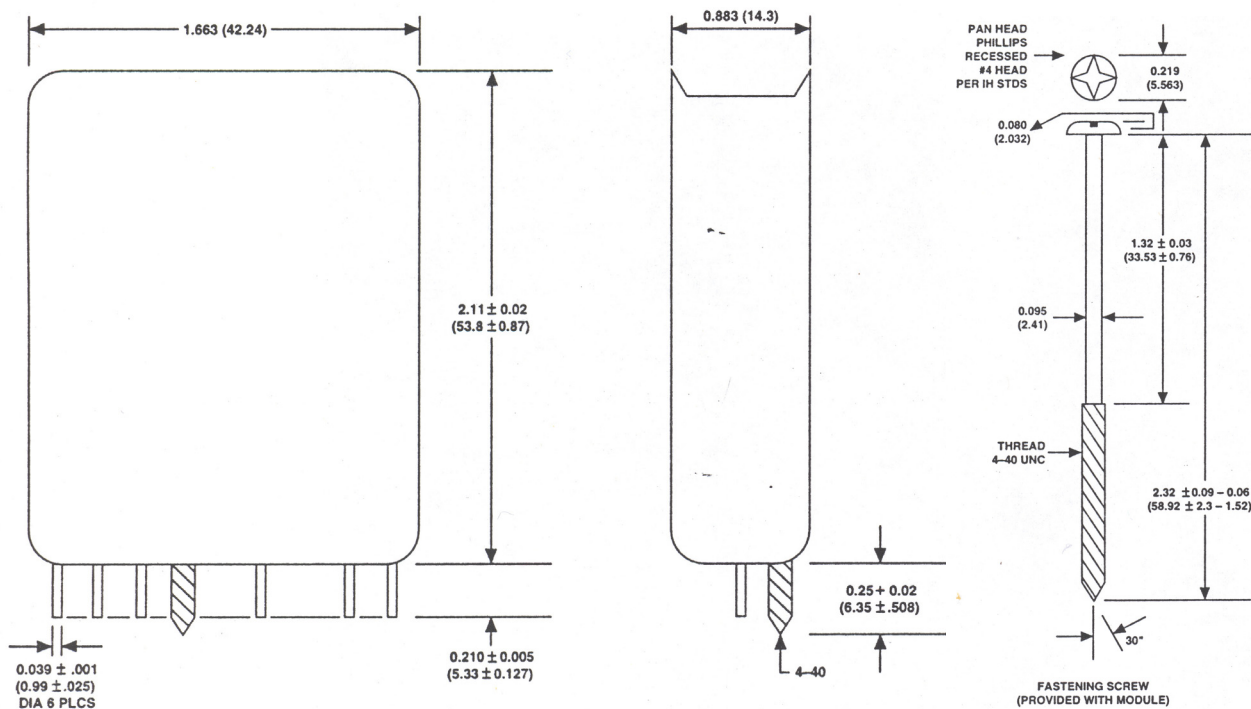


Figure 5. Outline Dimensions

**NOTES**

**NOTES**

## Looking for pricing, stock, or lifecycle information?

Click below to explore more details on WIN SOURCE:

 [View 7B30-02-1 on WIN SOURCE](#)

 [Analog Devices Inc. Information](#)

## Optimize Your Supply Chain with WIN SOURCE Solutions

-  Global Sourcing Solution
-  Obsolete Management
-  Cost Control Management
-  Shortage Management
-  Alternative Solution
-  Excess Inventory Management