

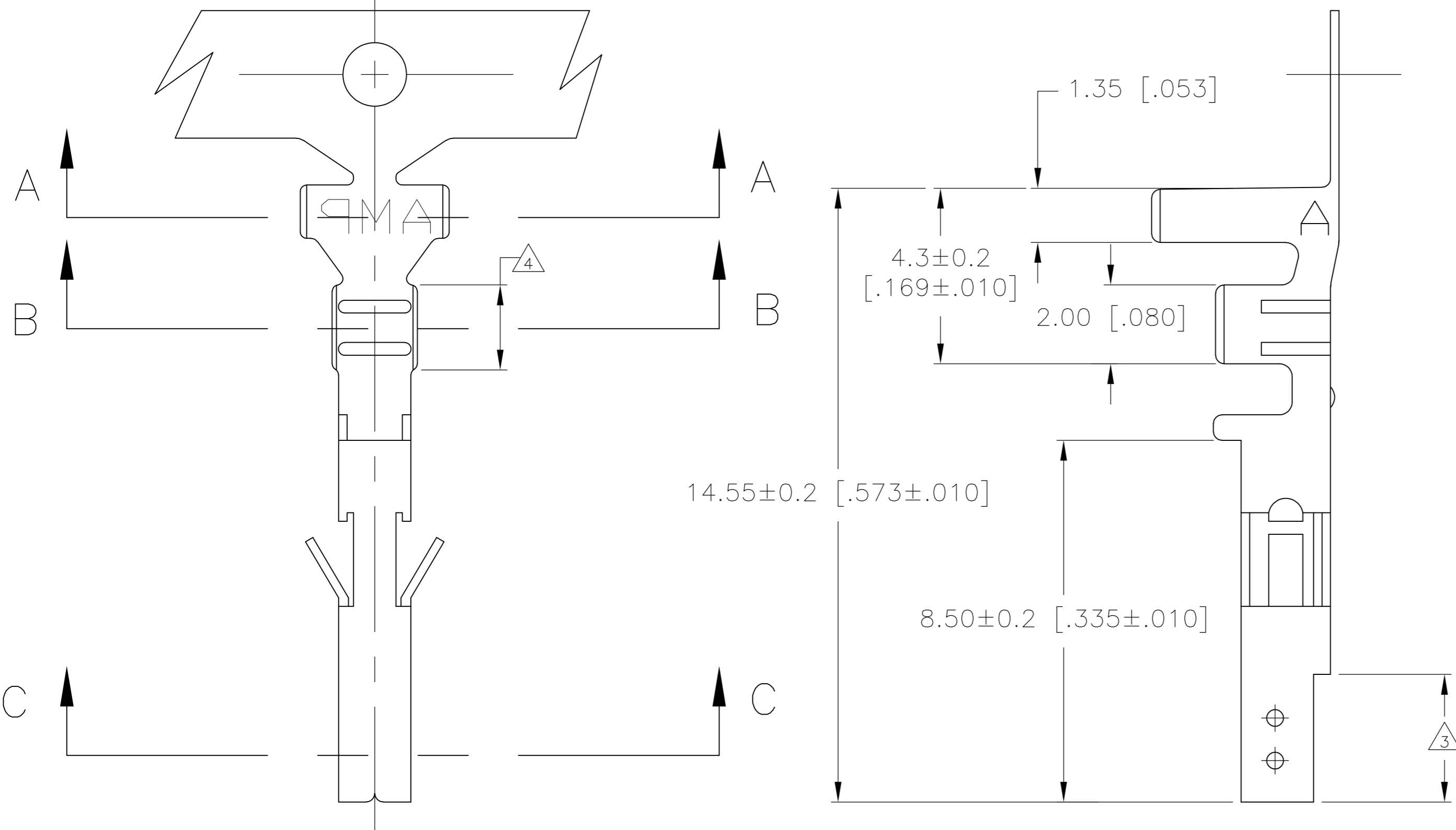


THE DATASHEET OF
794956-4

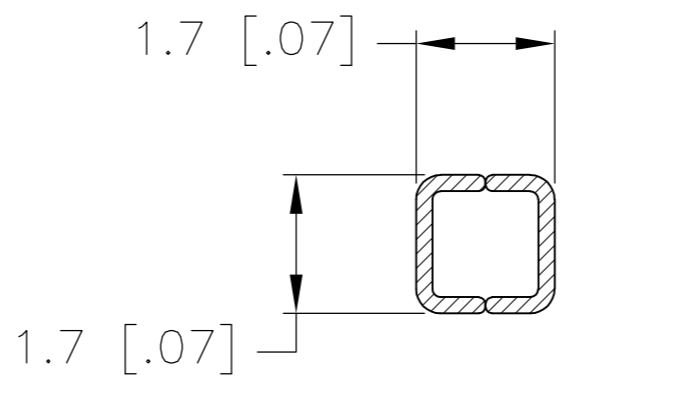
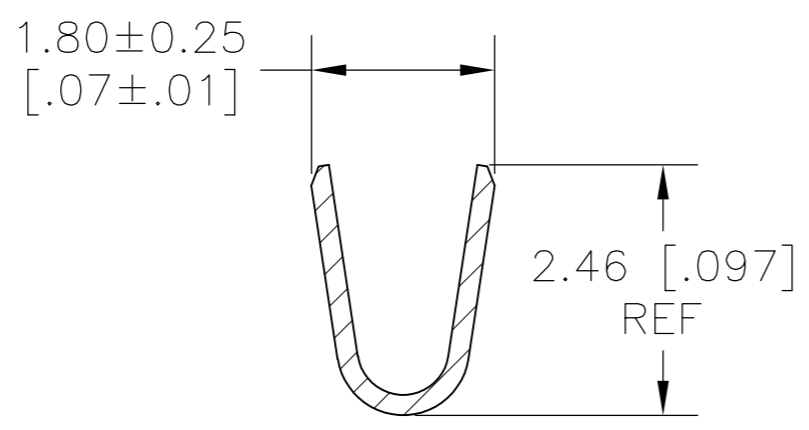
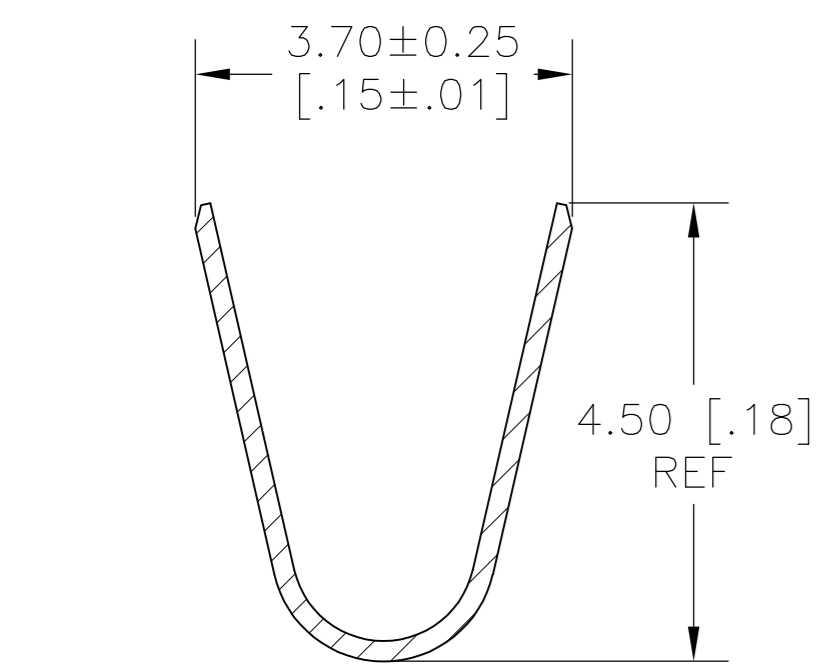


THIS DRAWING IS UNPUBLISHED. RELEASED FOR PUBLICATION
 © COPYRIGHT - By - ALL RIGHTS RESERVED.

LOC	DIST	REVISIONS					
		P	LTR	DESCRIPTION	DATE	DWN	APVD
CM	00		H5	REVISED PER ECR 13-011079	11JUL13	JR	KR



- 1 WIRE RANGE: 0.3-0.82mm² (22-18 AWG).
- 2 INSULATION RANGE: 1.50 - 3.10 DIA.
- 3 FINISH: 0.76µm MIN GOLD OVER 1.27µm MIN NICKEL REQUIRED ON INNER SURFACE, PERMITTED ON OUTER SURFACE.
- 4 FINISH: 2.54µm MIN PRE-TIN ON ALL SURFACES IN THIS AREA.
- 5 FINISH: 2.54µm MINIMUM PRE-TIN ALL OVER.

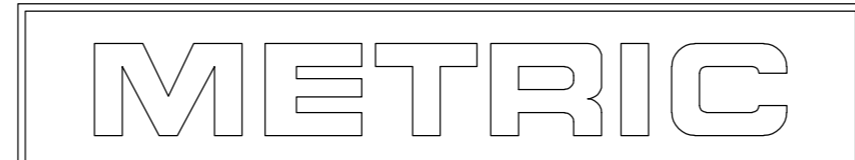


SECTION B-B

SECTION C-C

SECTION A-A

LUBRICANT	794956-1	794956-5
GOLD $\triangle_3 \triangle_4$	PHOS. BRZ.	794956-4
PRE-TIN \triangle_5	PHOS. BRZ.	794956-3
GOLD $\triangle_3 \triangle_4$	BRASS	794956-2
PRE-TIN \triangle_5	BRASS	794956-1
FINISH:	MATERIAL:	PART NO.



THIS DRAWING IS A CONTROLLED DOCUMENT.

DWN: S. HAMM 10-SEP-2001
 CHK: D. COLEY 10-SEP-2001
 APVD: D. COLEY 10-SEP-2001

TE Connectivity

NAME: D. COLEY
 PRODUCT SPEC: VAL-U-LOK (TM)

APPLICATION SPEC: VAL-U-LOK (TM)

WEIGHT: A2 00779 C=794956

CUSTOMER DRAWING

SCALE: NTS SHEET: 1 of 1 REV: H5

Looking for pricing, stock, or lifecycle information?

Click below to explore more details on WIN SOURCE:

 [View 794956-4](#) on WIN SOURCE

 [TE Connectivity](#) Information

Optimize Your Supply Chain with WIN SOURCE Solutions

-  Global Sourcing Solution
-  Obsolete Management
-  Cost Control Management
-  Shortage Management
-  Alternative Solution
-  Excess Inventory Management