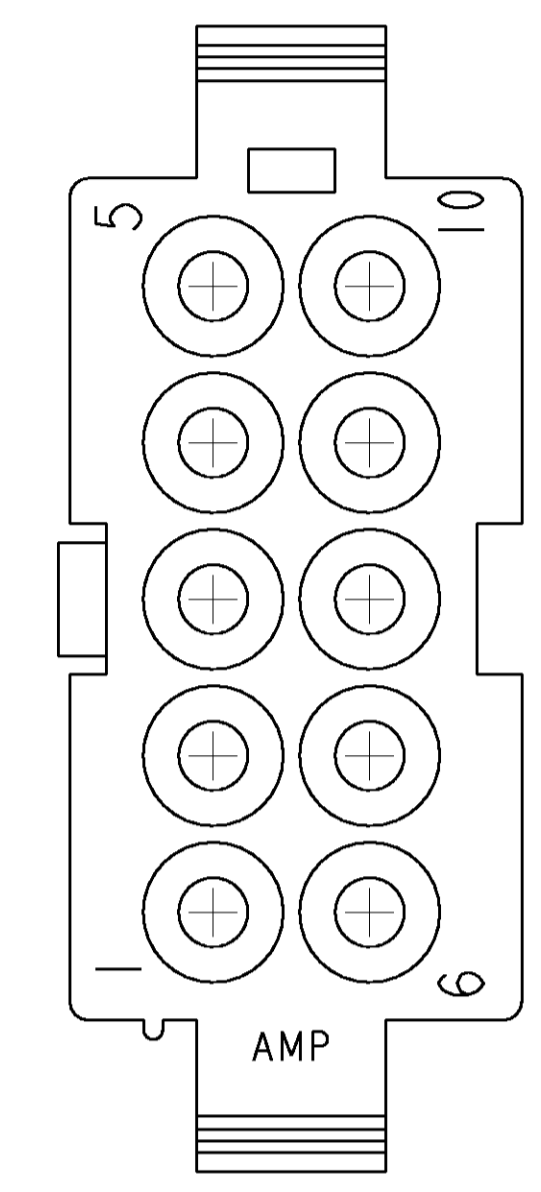
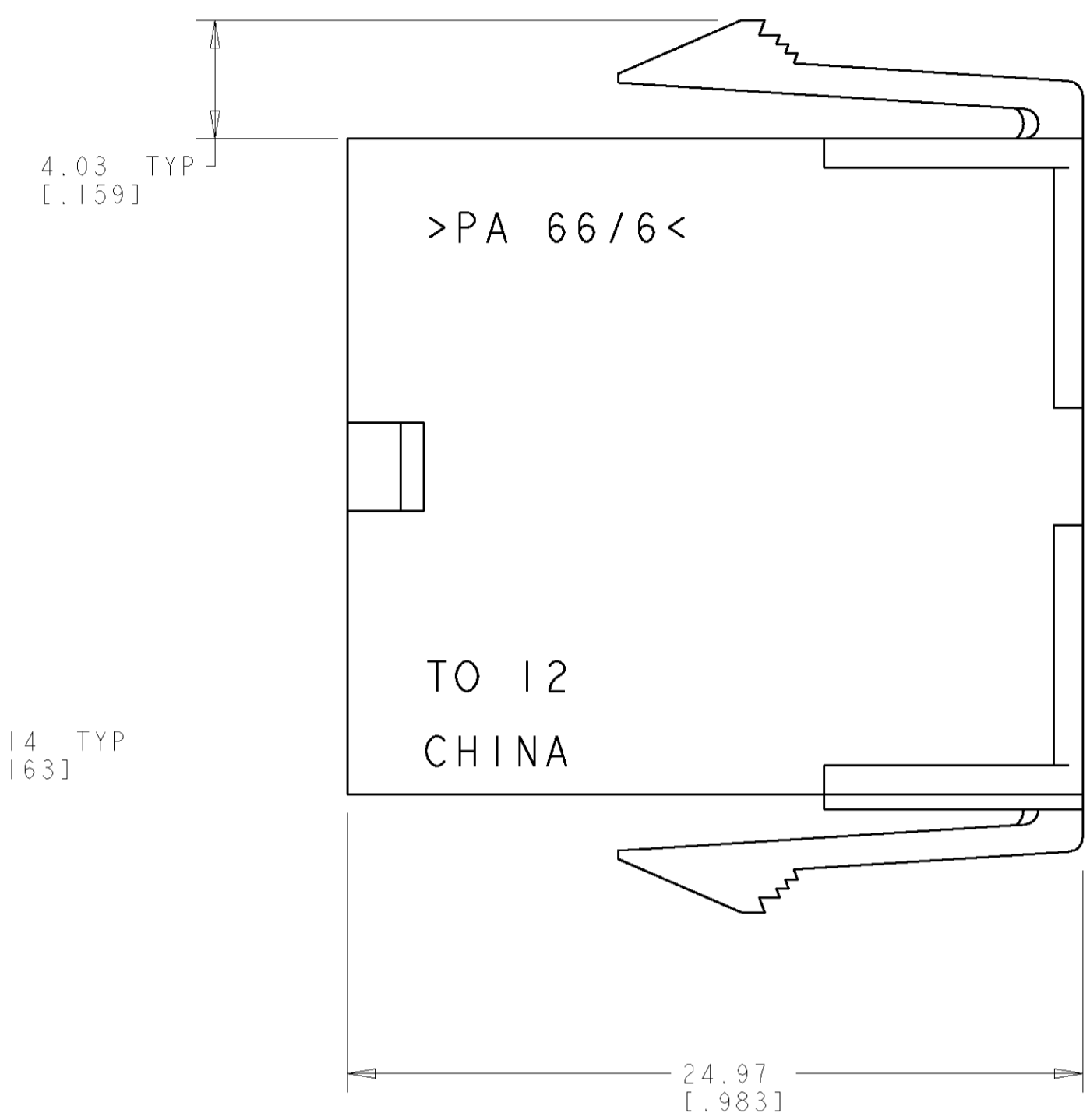
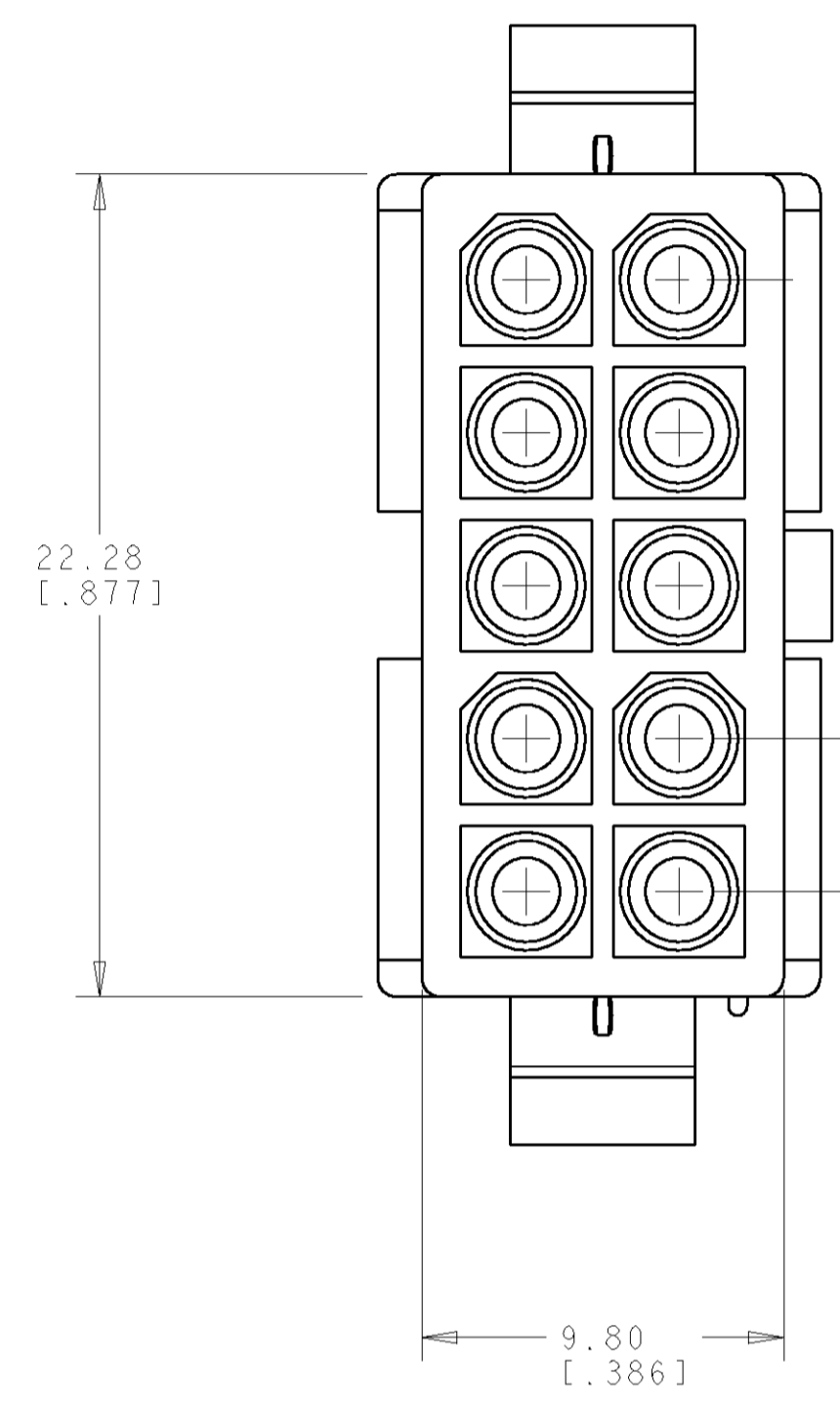




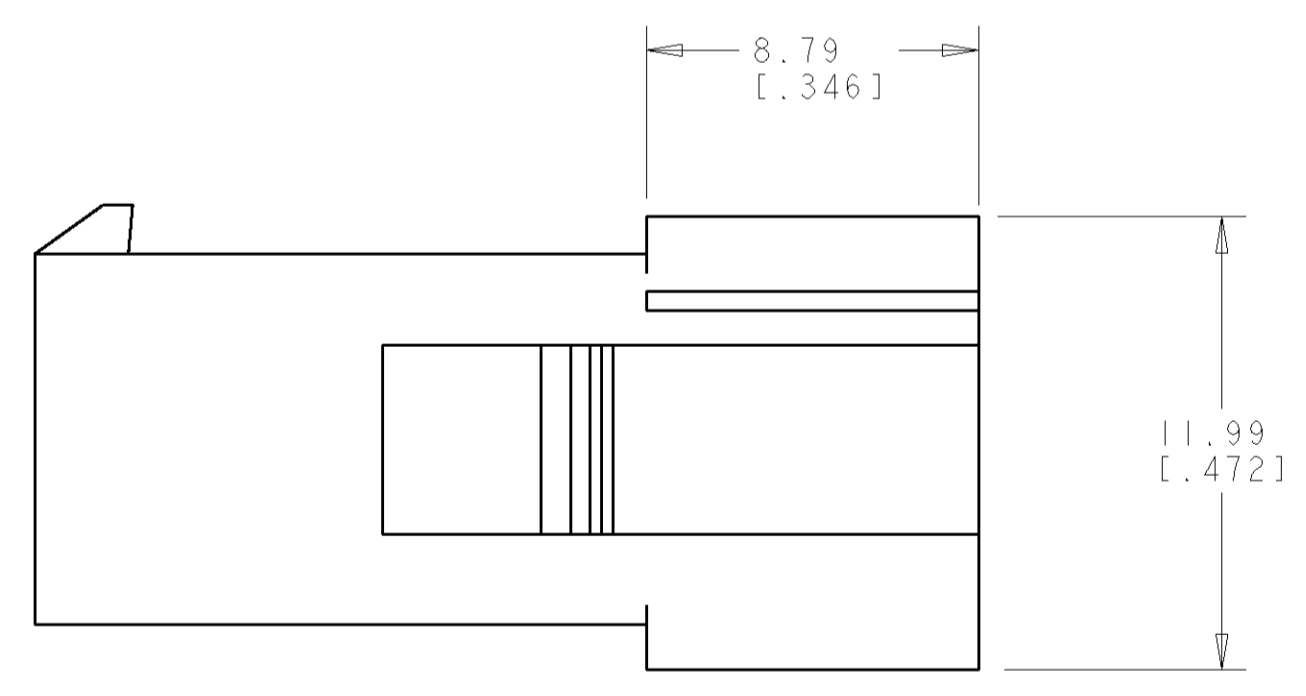
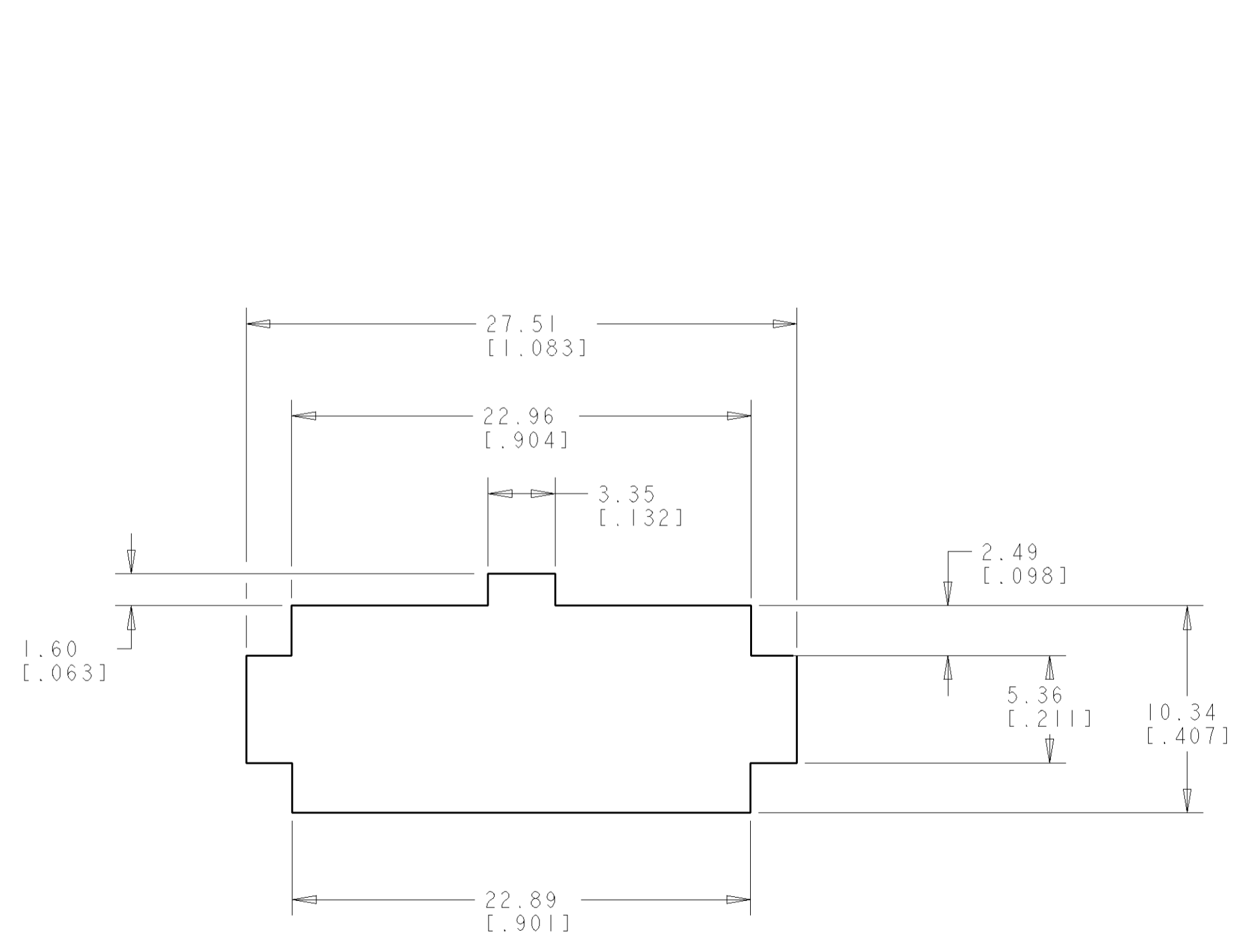
THE DATASHEET OF
794942-1



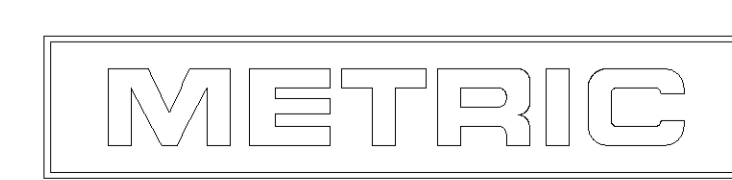
LOC		DIST		REVISIONS			
P	LTR	DESCRIPTION	DATE	DWN	APVD		
B		RELEASED PER 063B-0251-04	23JUN04	KW	CJ		



1. APPLICABLE CONTACT P/N: 170539, 170360, 170361, 170362.
2. DIMENSIONS IN BRACKETS ARE IN INCHES.
3. RECOMMENDED PANEL THICKNESS TO BE 0.8-2.0 [0.031-.079].
4. HOUSING INSERTION INTO THE PANEL CUT OUT MUST BE IN THE SAME DIRECTION AS THE PUNCH.



RECOMMENDED PANEL CUT OUT SCALE 4:1




794942-1
PART NUMBER

<small>THIS DRAWING IS UNPUBLISHED. RELEASED FOR PUBLICATION BY TYCO ELECTRONICS CORPORATION. IT IS THE POLICY OF TYCO ELECTRONICS CORPORATION TO CHANGE THE DESIGN AND CONSTRUCTION OF PRODUCTS WITHOUT NOTICE. CONTACT TYCO ELECTRONICS CORPORATION FOR THE LATEST REVISION.</small>		DWN: 23-JULY-2001 ENK: B. WHITAKER C. JONES APVD: C. JONES	Tyco Electronics Harrisburg, PA 17105-3608
DIMENSIONS: mm [INCHES]	TOLERANCES UNLESS OTHERWISE SPECIFIED: 0 PLC ± 1 PLC ± 2 PLC ±0.13 [0.005] 3 PLC ± 4 PLC ± ANGLES ±40°30'	NAME: CAP. PRODUCT SPEC: 10 CIRCUIT, SEALED APPLICATION, APPLICATION SPEC: MINI UNIVERSAL MATE-N-LOK™	SIZE: A CAGE CODE: 00779 DRAWING NO: C-794942
MATERIAL: NYLON, UL94V-0 NATURAL	FINISH: -	WEIGHT: - CUSTOMER DRAWING	RESTRICTED TO: - SCALE: 5:1 SHEET 1 OF 1 REV B

Looking for pricing, stock, or lifecycle information?

Click below to explore more details on WIN SOURCE:

 [View 794942-1](#) on WIN SOURCE

 [TE Connectivity](#) Information

Optimize Your Supply Chain with WIN SOURCE Solutions

-  Global Sourcing Solution
-  Obsolete Management
-  Cost Control Management
-  Shortage Management
-  Alternative Solution
-  Excess Inventory Management