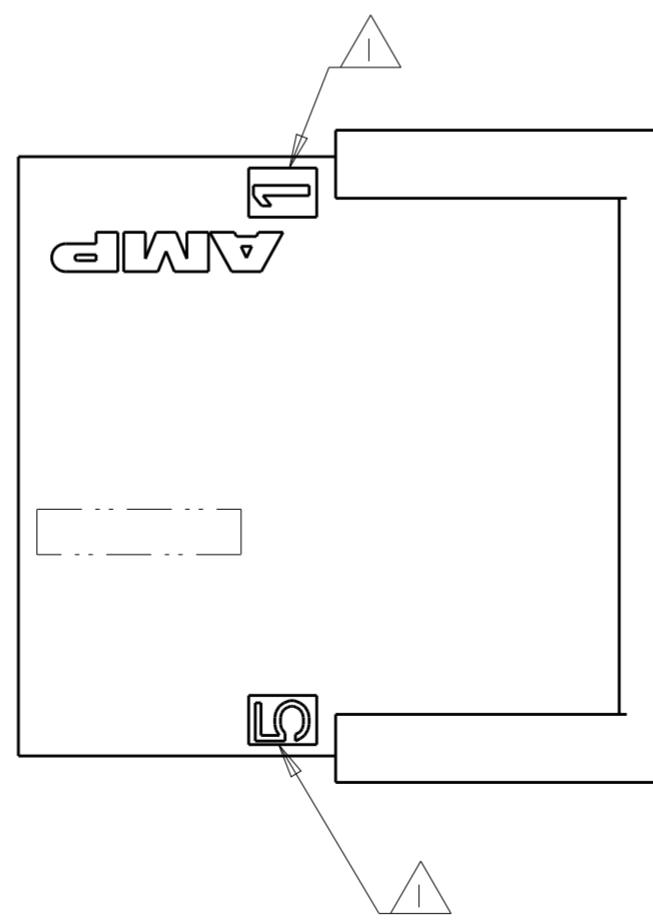
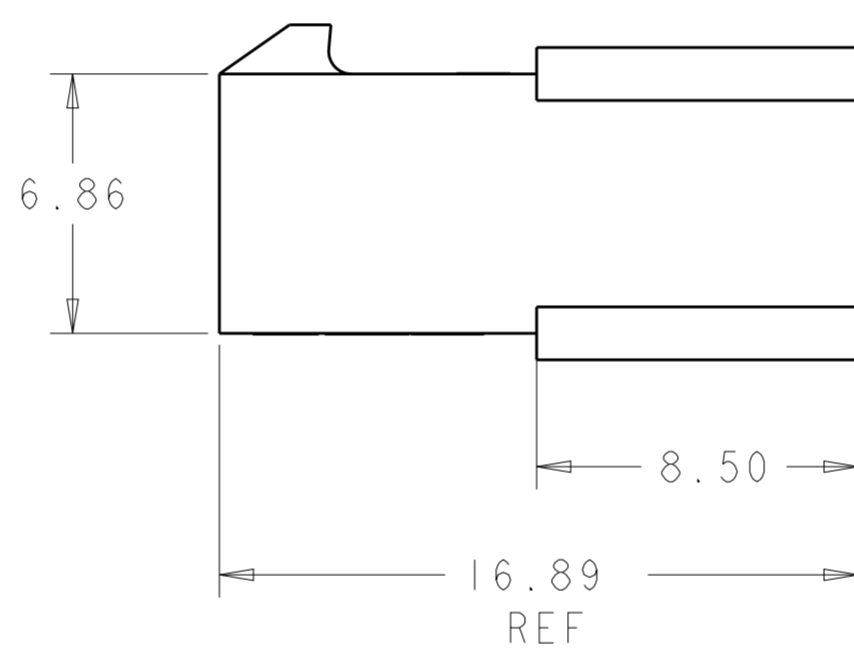
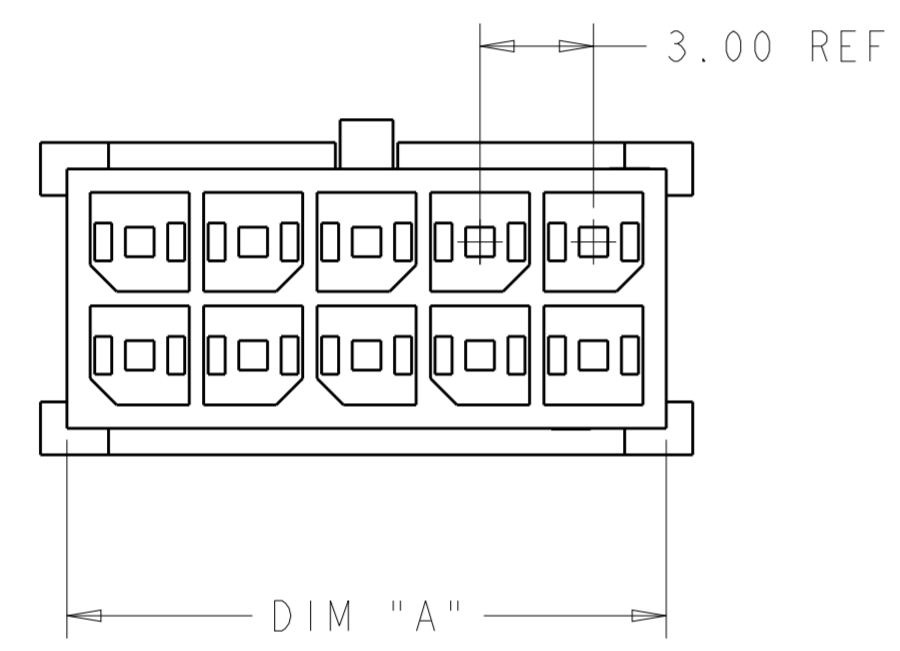
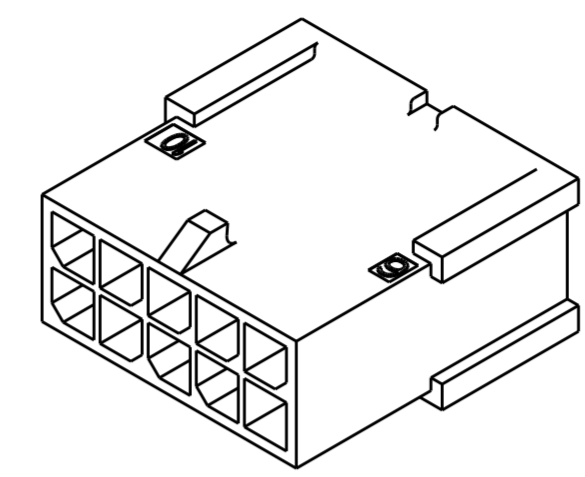
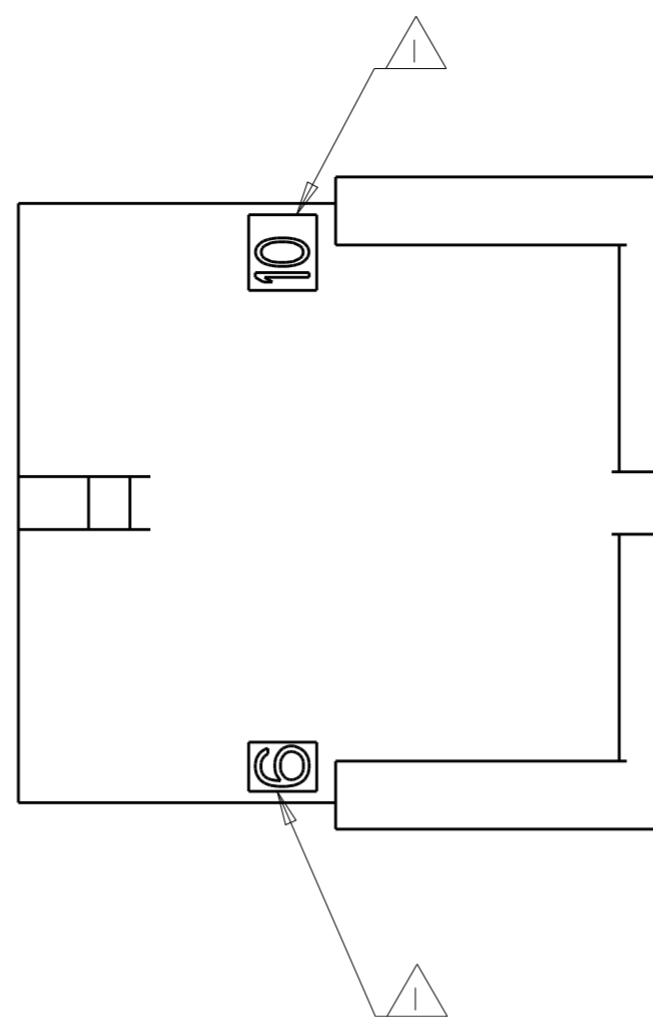


THIS DRAWING IS UNPUBLISHED. RELEASED FOR PUBLICATION 20
 © COPYRIGHT 20 BY - ALL RIGHTS RESERVED.

REVISIONS				
P	LTR	DESCRIPTION	DATE	APVD
P9		REVISED PER ECR-18-011787	10SEP2018	JB DZ



REMARK	DIM A	NO. OF POS.	PART NUMBER
	36.85	24	5-794616-4
	30.85	20	5-794616-0
	24.85	16	4-794616-6
	21.85	14	4-794616-4
	18.85	12	4-794616-2
UL-V0	15.85	10	3-794616-0
GWEPT 750°C NO FLAME	12.85	8	3-794616-8
GWFI 850°C NO FLAME	9.85	6	3-794616-6
OBSOLETE	6.85	4	3-794616-4
OBSOLETE	3.85	2	3-794616-2
	12.85	8	2-794616-8
	36.85	24	2-794616-4
	33.85	22	2-794616-2
	30.85	20	2-794616-0
	27.85	18	1-794616-8
	24.85	16	1-794616-6
	21.85	14	1-794616-4
	18.85	12	1-794616-2
	15.85	10	1-794616-0
	12.85	8	794616-8
	9.85	6	794616-6
	6.85	4	794616-4
	3.85	2	794616-2

- ① CIRCUIT IDENTIFIERS LOCATED APPROXIMATELY AS SHOWN.
- ② MATERIAL PA66/6 UL94-V0. COLOR-BLACK
- ③ PRELIMINARY MATERIAL PA6 UL94-V0
- ④ MATERIAL PA66 UL94-V0, GW . COLOR - NATURAL.
- ⑤ PRELIMINARY PART NOT RELEASED FOR PRODUCTION.

THIS DRAWING IS A CONTROLLED DOCUMENT.		DWN W J RUDY 29AUG2000	TE Connectivity	
DIMENSIONS: mm		CHK W DAVIS 29AUG2000		
TOLERANCES UNLESS OTHERWISE SPECIFIED:		APVD W DAVIS 29AUG2000	NAME PLUG HOUSING, 2 to 24 POSITION DUAL ROW, FREE HANGING, MICRO MATE-N-LOK(TM)	
0 PLC ± 1 PLC ± 2 PLC ±0.13 3 PLC ± 4 PLC ±		PRODUCT SPEC 108-1836	SIZE CAGE CODE DRAWING NO A200779C-794616	
MATERIAL ② ③ ④		FINISH -	RESTRICTED TO	
		WEIGHT -	SCALE 5:1 SHEET 1 OF 1 REV P9	
		CUSTOMER DRAWING		

Looking for pricing, stock, or lifecycle information?

Click below to explore more details on WIN SOURCE:

 [View 794616-6 on WIN SOURCE](#)

 [TE Connectivity](#) Information

Optimize Your Supply Chain with WIN SOURCE Solutions

-  Global Sourcing Solution
-  Obsolete Management
-  Cost Control Management
-  Shortage Management
-  Alternative Solution
-  Excess Inventory Management