



THE DATASHEET OF TC7SL02FU



TOSHIBA CMOS DIGITAL INTEGRATED CIRCUIT SILICON MONOLITHIC

TC7SL02F, TC7SL02FU

2-INPUT NOR GATE

The TC7SL02 is a low voltage operative C²MOS 2-INPUT NOR GATE fabricated with silicon gate C²MOS technology.

Operating voltage ($V_{CC(opr)}$) is 1~3V equivalent to 1pc or 2pcs of dry cell battery and it achieves low power dissipation.

The internal circuit is composed of 3 stages including buffer output, which enables high noise immunity and stable output.

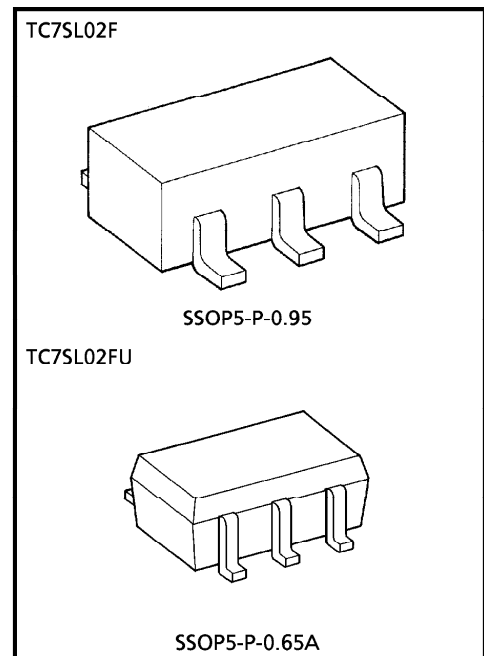
All inputs are equipped with protection circuits against static discharge or transient excess voltage.

FEATURES

- High Speed $t_{pd} = 10ns$ (Typ.)
at $V_{CC} = 3V$
- Low Power Dissipation $I_{CC} = 1\mu A$ (Max.)
at $T_a = 25^\circ C$
- High Noise Immunity $V_{NIH} = V_{NIL}$
 $= 28\% V_{CC}$ (Min.)
- Symmetrical Output Impedance $|I_{OH}| = I_{OL} = 1mA$
- Balanced Propagation Delay Time $t_{pLH} \cong t_{pHL}$
- Low Voltage Operating $V_{CC(opr)} = 1\sim 3.6V$

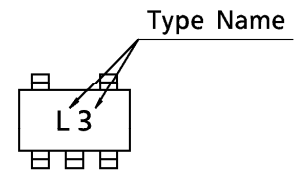
MAXIMUM RATINGS

| CHARACTERISTIC | SYMBOL | RATING | UNIT |
|-----------------------------|-----------|----------------------|------|
| Supply Voltage Range | V_{CC} | -0.5~5 | V |
| DC Input Voltage | V_{IN} | -0.5~ $V_{CC} + 0.5$ | V |
| DC Output Voltage | V_{OUT} | -0.5~ $V_{CC} + 0.5$ | V |
| Input Diode Current | I_{IK} | ± 20 | mA |
| Output Diode Current | I_{OK} | ± 20 | mA |
| DC Output Current | I_{OUT} | ± 12.5 | mA |
| DC V_{CC} /Ground Current | I_{CC} | ± 25 | mA |
| Power Dissipation | P_D | 200 | mW |
| Storage Temperature | T_{stg} | -65~150 | °C |
| Lead Temperature (10s) | T_l | 260 | °C |



Weight SSOP5-P-0.95 : 0.016g (Typ.)
SSOP5-P-0.65A : 0.006g (Typ.)

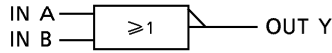
MARKING



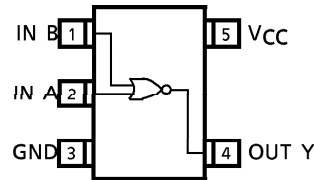
961001EBA2

● TOSHIBA is continually working to improve the quality and the reliability of its products. Nevertheless, semiconductor devices in general can malfunction or fail due to their inherent electrical sensitivity and vulnerability to physical stress. It is the responsibility of the buyer, when utilizing TOSHIBA products, to observe standards of safety, and to avoid situations in which a malfunction or failure of a TOSHIBA product could cause loss of human life, bodily injury or damage to property. In developing your designs, please ensure that TOSHIBA products are used within specified operating ranges as set forth in the most recent products specifications. Also, please keep in mind the precautions and conditions set forth in the TOSHIBA Semiconductor Reliability Handbook.

LOGIC DIAGRAM



PIN CONNECTION (TOP VIEW)



RECOMMENDED OPERATING CONDITIONS

| CHARACTERISTIC | SYMBOL | RATING | UNIT |
|--------------------------|---------------------------------|---------------------------------|------|
| Supply Voltage | V _{CC} | 1~3.6 | V |
| Input Voltage | V _{IN} | 0~V _{CC} | V |
| Output Voltage | V _{OUT} | 0~V _{CC} | V |
| Operating Temperature | T _{opr} | -40~85 | °C |
| Input Rise and Fall Time | t _r , t _f | 0~1000 (V _{CC} = 1.0V) | ns |
| | | 0~500 (V _{CC} = 1.5V) | |
| | | 0~400 (V _{CC} = 3.0V) | |

DC ELECTRICAL CHARACTERISTICS

| CHARACTERISTIC | SYMBOL | TEST CIRCUIT | TEST CONDITION | Ta = 25°C | | | Ta = -40~85°C | | UNIT | | |
|---------------------------|-----------------|--------------|--|-------------------------|------|------|---------------|------|------|------|----|
| | | | | V _{CC} | MIN. | TYP. | MAX. | MIN. | | MAX. | |
| High-Level Input Voltage | V _{IH} | — | — | 1.0 | 0.75 | — | — | 0.75 | — | V | |
| | | | | 1.5 | 1.05 | — | — | 1.05 | — | | |
| | | | | 3.0 | 2.10 | — | — | 2.10 | — | | |
| Low-Level Input Voltage | V _{IL} | — | — | 1.0 | — | — | 0.25 | — | 0.25 | V | |
| | | | | 1.5 | — | — | 0.45 | — | 0.45 | | |
| | | | | 3.0 | — | — | 0.90 | — | 0.90 | | |
| High-Level Output Voltage | V _{OH} | — | V _{IN} = V _{IL} | I _{OH} = -20μA | 1.0 | 0.9 | 1.0 | — | 0.9 | — | V |
| | | | | | 1.5 | 1.4 | 1.5 | — | 1.4 | — | |
| | | | | | 3.0 | 2.9 | 3.0 | — | 2.9 | — | |
| Low-Level Output Voltage | V _{OL} | — | V _{IN} = V _{IH} or V _{IL} | I _{OL} = 20μA | 1.0 | — | 0.0 | 0.1 | — | 0.1 | V |
| | | | | | 1.5 | — | 0.0 | 0.1 | — | 0.1 | |
| | | | | | 3.0 | — | 0.0 | 0.1 | — | 0.1 | |
| Input Leakage Current | I _{IN} | — | V _{IN} = V _{CC} or GND | | 1.0 | — | — | ±0.1 | — | ±1.0 | μA |
| | | | | | 1.5 | — | — | ±0.1 | — | ±1.0 | |
| | | | | | 3.0 | — | — | ±0.1 | — | ±1.0 | |
| Quiescent Supply Current | I _{CC} | — | V _{IN} = V _{CC} or GND | | 3.6 | — | — | 1.0 | — | 10.0 | μA |

961001EBA2'

- The products described in this document are subject to foreign exchange and foreign trade control laws.
- The information contained herein is presented only as a guide for the applications of our products. No responsibility is assumed by TOSHIBA CORPORATION for any infringements of intellectual property or other rights of the third parties which may result from its use. No license is granted by implication or otherwise under any intellectual property or other rights of TOSHIBA CORPORATION or others.
- The information contained herein is subject to change without notice.

AC ELECTRICAL CHARACTERISTICS ($C_L = 15\text{pF}$, Input $t_r = t_f = 6\text{ns}$, $V_{CC} = 3.3 \pm 0.3\text{V}$)

| CHARACTERISTIC | SYMBOL | TEST CIR-CUIT | TEST CONDITION | Ta = 25°C | | | UNIT |
|------------------------|------------------------|---------------|----------------|-----------|------|------|------|
| | | | | MIN. | TYP. | MAX. | |
| Output Transition Time | t_{TLH} t_{THL} | — | — | — | 5.0 | 9.0 | ns |
| Propagation Delay Time | t_{PLH} t_{PHL} | — | — | — | 7.5 | 13.0 | ns |

AC ELECTRICAL CHARACTERISTICS ($C_L = 25\text{pF}$, Input $t_r = t_f = 6\text{ns}$)

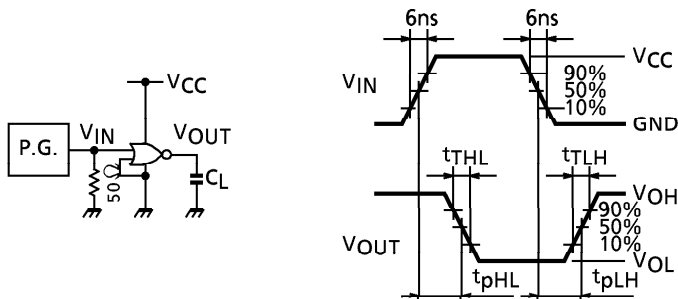
| CHARACTERISTIC | SYMBOL | TEST CIR-CUIT | TEST CONDITION | V _{CC} | Ta = 25°C | | | Ta = -40~85°C | | UNIT |
|-------------------------------|------------------------|---------------|----------------|-----------------|-----------|------|------|---------------|------|------|
| | | | | | MIN. | TYP. | MAX. | MIN. | MAX. | |
| Output Transition Time | t_{TLH} t_{THL} | — | — | 1.0 | — | 70 | 170 | — | 240 | ns |
| | | | | 1.5 | — | 25 | 45 | — | 55 | |
| | | | | 3.0 | — | 10 | 15 | — | 20 | |
| Propagation Delay Time | t_{PLH} t_{PHL} | — | — | 1.0 | — | 70 | 170 | — | 210 | ns |
| | | | | 1.5 | — | 25 | 45 | — | 55 | |
| | | | | 3.0 | — | 10 | 15 | — | 20 | |
| Input Capacitance | C_{IN} | — | — | — | 5 | 10 | — | 10 | pF | |
| Power Dissipation Capacitance | C_{PD} | — | Note (1) | — | 10 | — | — | — | | |

Note (1) : C_{PD} defined as the value of internal equivalent capacitance of IC which is calculated from the operating current consumption without load (refer to Test Circuit).

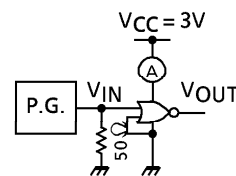
Average operating current can be obtained by the equation as follows.

$$I_{CC(opr)} = C_{PD} \cdot V_{CC} \cdot f_{IN} + I_{CC}$$

SWITCHING CHARACTERISTICS TEST CIRCUIT



I_{CC(opr)} TEST CIRCUIT



Input waveform is the same as that in case of switching characteristics test.

Looking for pricing, stock, or lifecycle information?

Click below to explore more details on WIN SOURCE:

- ⊖ [View TC7SL02FU on WIN SOURCE](#)
- ⊖ [Toshiba Semiconductor and Storage Information](#)

Optimize Your Supply Chain with WIN SOURCE Solutions

- ✓ Global Sourcing Solution
- ✓ Obsolete Management
- ✓ Cost Control Management
- ✓ Shortage Management
- ✓ Alternative Solution
- ✓ Excess Inventory Management