



**THE DATASHEET OF  
T520W476M016AE045**



## Overview

## KOCAP Polymer Capacitors

The KEMET Organic Capacitor (KO-CAP) is a solid electrolytic capacitor with a conductive polymer cathode capable of delivering very low ESR and improved capacitance retention at high frequencies. KO-CAP combines the low ESR of multilayer ceramic, the high capacitance of aluminum electrolytic and the volumetric efficiency of tantalum into a single surface mount package. Unlike liquid electrolyte-based capacitors, KO-CAP has a very long operational life and high ripple current capabilities.

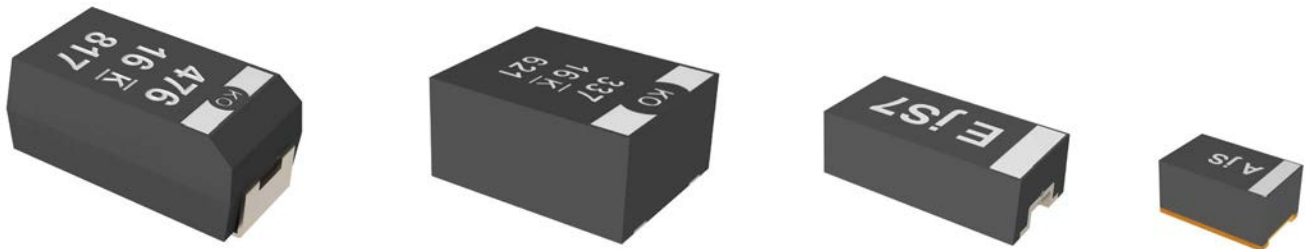
The T52X/T530 provides the widest range of voltages, capacitance and case size options in the KO-CAP family and is suitable for general purpose DC applications for up to 48 volt DC voltage rails.

## Benefits

- ESR values down to 5 mOhms
- Stable capacitance across temperature and voltage
- No aging effects
- High ripple handling
- Volumetrically efficient
- High frequency capacitance retention
- 100% accelerated steady state aging
- 100% surge current tested
- Halogen-free epoxy/RoHS compliant

## Applications

Typical applications include DC/DC converters, audio/sound circuits (mobile phone and base stations, smart phones, MP3 players), power supply inputs, portable electronics (notebook PCs, displays, SSDs, HDDs and USBs, digital cameras, GPS navigation systems, WiFi modules), telecommunications, consumer electronics (analytical and test equipment, high speed servers), high voltage applications such as 12 V to 48 V power input rails, densely populated circuits with space restrictions, microprocessor decoupling and high ripple current applications.



## Environmental Compliance

- RoHS Compliant (6/6) according to Directive 2002/95/EC when ordered with 100% Sn, Ni-Pd-Au or non-magnetic 100% Sn solder
- Halogen-free
- Epoxy compliant with UL94 V-0

## K-SIM

For a detailed analysis of specific part numbers, please visit [ksim.kemet.com](http://ksim.kemet.com) to access KEMET's K-SIM software. KEMET K-SIM is designed to simulate behavior of components with respect to frequency, ambient temperature, and DC bias levels.

## Series Reference Selection

| Series |                      | Voltage Range             |                           | Temperature Rating |             |             | Special Features |         |
|--------|----------------------|---------------------------|---------------------------|--------------------|-------------|-------------|------------------|---------|
|        |                      | < 1 V to 9 V Applications | 12 V to 48 V Applications | 85°C Rated         | 105°C Rated | 125°C Rated | Miniature Size   | Low ESL |
| T520   | Standard             | X                         | *                         | X**                | X           |             |                  |         |
| T521   | High Voltage         |                           | X                         |                    | X           | X           |                  |         |
| T523   | Facedown Terminal    | X                         | X**                       | X                  | X**         |             |                  | X       |
| T525   | High Temperature     | X                         | *                         |                    |             | X           |                  |         |
| T527   | Small Size           | X                         |                           |                    | X           |             | X                |         |
| T529   | Miniature            | X                         | X                         |                    | X           |             | X                |         |
| T530   | High Cap/<br>Low ESR | X                         | X                         |                    | X           | X           |                  |         |

\* Not recommended for new design.

\*\* Selected values.

## Ordering Information

| T               | 520                                                                                                                                                                        | V                                                                                 | 157                                                                                    | M                     | 006                                                                                                                                                                                          | A                   | T                                                                                                                                                                                          | E045                                                      |                                        |
|-----------------|----------------------------------------------------------------------------------------------------------------------------------------------------------------------------|-----------------------------------------------------------------------------------|----------------------------------------------------------------------------------------|-----------------------|----------------------------------------------------------------------------------------------------------------------------------------------------------------------------------------------|---------------------|--------------------------------------------------------------------------------------------------------------------------------------------------------------------------------------------|-----------------------------------------------------------|----------------------------------------|
| Capacitor Class | Series                                                                                                                                                                     | Case Size <sup>1</sup>                                                            | Capacitance Code (pF)                                                                  | Capacitance Tolerance | Rated Voltage (VDC)                                                                                                                                                                          | Failure Rate/Design | Termination Finish                                                                                                                                                                         | ESR Code                                                  | Packaging (C-Spec)                     |
| T = Tantalum    | 520 = Polymer<br>521 = High voltage<br>523 = Facedown terminal<br>525 = 125°C rated<br>527 = Facedown terminal<br>529 = Substrate terminal<br>530 = 125°C High capacitance | A<br>B<br>C<br>D<br>H<br>I<br>J<br>L<br>M<br>P<br>Q<br>T<br>U<br>V<br>W<br>X<br>Y | First two digits represent significant figures. Third digit specifies number of zeros. | K = ±10%<br>M = ±20%  | 002 = 2<br>2R5 = 2.5<br>003 = 3<br>004 = 4<br>006 = 6.3<br>008 = 8<br>010 = 10<br>011 = 11<br>12R = 12.5<br>016 = 16<br>020 = 20<br>025 = 25<br>035 = 35<br>050 = 50<br>063 = 63<br>075 = 75 | A =<br>N/A          | T = 100% Matte tin (Sn) plated<br>H*** = Tin/lead (SnPb) solder coated (5% Pb minimum)<br>P* = Ni-Pd-Au plated<br>N = Non-magnetic 100% Tin (Sn)<br>M = Non-magnetic (SnPb)<br>A** = Ni-Au | E = ESR last three digits specify ESR in mΩ (045 = 45 mΩ) | Blank = 7" reel<br>7280**** = 13" reel |

Gold termination available upon request

\* P termination only available on select part numbers

\*\* A termination only available on T529 part numbers

\*\*\* H termination not available for T527/T529 part numbers

\*\*\*\* 13" reel not available for T520A case part numbers

## Performance Characteristics

| Item                    | Performance Characteristics                                                     |
|-------------------------|---------------------------------------------------------------------------------|
| Operating Temperature   | -55°C to 85°C/105°C/125°C (refer to part number for maximum temperature rating) |
| Rated Capacitance Range | 4.7 – 1,500 µF at 120 Hz/25°C                                                   |
| Capacitance Tolerance   | K tolerance (10%), M tolerance (20%)                                            |
| Rated Voltage Range     | 2 – 75 V                                                                        |
| DF (120 Hz)             | Refer to Part Number Electrical Specification Table*                            |
| ESR (100 kHz)           | Refer to Part Number Electrical Specification Table                             |
| Leakage Current         | Refer to Part Number Electrical Specification Table                             |

\* For T529 Series DF measurement apply 1.5 V DC

## Qualification

| Test                       | Condition                                                                                                                                                          | Characteristics |                                                                                                                                                                                             |                                              |          |                                         |
|----------------------------|--------------------------------------------------------------------------------------------------------------------------------------------------------------------|-----------------|---------------------------------------------------------------------------------------------------------------------------------------------------------------------------------------------|----------------------------------------------|----------|-----------------------------------------|
| Endurance                  | Temperature: 85°C, 105°C, 125°C **<br>Voltage: 1.0 Rated Voltage<br>2/3 Rated Voltage for 125°C rating PN<br>Time: 2,000 Hours<br>1,000 Hours for T527/T529 Series | Δ C/C           | Within -20%/+10% of initial value<br>T527 and T529 Series: Within initial DC/C limits                                                                                                       |                                              |          |                                         |
|                            |                                                                                                                                                                    | DF              | Within initial limits<br>T527 and T529: Within 1.5 x initial limits                                                                                                                         |                                              |          |                                         |
|                            |                                                                                                                                                                    | DCL             | 85°C and 105°C rated parts: Within 1.25 x initial limit<br>125°C rated parts: Within 2.0 x initial limits<br>T527 Series: Within initial limits<br>T529 Series: Within 3.0 x initial limits |                                              |          |                                         |
|                            |                                                                                                                                                                    | ESR             | Within 2.0 x initial limit<br>(N/A for T527 & T529)                                                                                                                                         |                                              |          |                                         |
| Storage Life               | Temperature: 105°C, 125°C **<br>Voltage: 0 Voltage<br>Time: 2,000 Hours<br>(N/A for T527 and T529 Series)                                                          | Δ C/C           | Within -20%/+10% of initial value                                                                                                                                                           |                                              |          |                                         |
|                            |                                                                                                                                                                    | DF              | Within initial limits                                                                                                                                                                       |                                              |          |                                         |
|                            |                                                                                                                                                                    | DCL             | Within 1.25 x initial limit<br>T521 Series: 1.25 x IL at 105°C, 2x IL at 125°C<br>T525/T530 Series: Within 2.0 x initial limit                                                              |                                              |          |                                         |
|                            |                                                                                                                                                                    | ESR             | Within 2.0 x initial limit                                                                                                                                                                  |                                              |          |                                         |
| Humidity                   | Temperature: 60°C<br>Voltage: No Load<br>Humidity: 90% RH<br>Time: 500 Hours, 1,000 Hours (T525, T530)                                                             | Δ C/C           | Within -5%/+35% of initial value<br>T527/T529 Series: -20%/+30% of initial DC/C limit                                                                                                       |                                              |          |                                         |
|                            |                                                                                                                                                                    | DF              | Within initial limits<br>T527/T529 Series: Within 1.5 x initial limits                                                                                                                      |                                              |          |                                         |
|                            |                                                                                                                                                                    | DCL             | Within 5.0 x initial limit<br>T521/T525/T529/T530 Series: Within 3.0 x initial limit<br>T527 Series: Within initial limits                                                                  |                                              |          |                                         |
|                            |                                                                                                                                                                    | ESR             | Within 2.0 x initial limit<br>T525/T527/T529/T530: N/A                                                                                                                                      |                                              |          |                                         |
| Temperature Stability      | Extreme temperature exposure at a succession of continuous steps at +25°C, -55°C, +25°C, +85°C, +105°/125°C, +25°C                                                 | Δ C/C           | +25°C                                                                                                                                                                                       | -55°C                                        | +85°C    | +105°/125°C                             |
|                            |                                                                                                                                                                    | DF              | IL*                                                                                                                                                                                         | +/-20%<br>-20% to<br>0% of DC/C<br>(T527/29) | ±20%     | +/-30%<br>+50% -0% of<br>DC/C (T527/29) |
|                            |                                                                                                                                                                    | DCL             | IL                                                                                                                                                                                          | IL                                           | 1.2 x IL | 1.5 x IL<br>IL (T529)                   |
| Surge Voltage              | Temperature: 105°C, 85°C (T527/T529)<br>Voltage: 1.32 x Rated voltage<br>Time: 1,000 cycles                                                                        | Δ C/C           | Within -20%/+10% of initial value<br>T527/T529 Series: Within initial DC/C limits                                                                                                           |                                              |          |                                         |
|                            |                                                                                                                                                                    | DF              | Within initial limits                                                                                                                                                                       |                                              |          |                                         |
|                            |                                                                                                                                                                    | DCL             | Within initial limits                                                                                                                                                                       |                                              |          |                                         |
|                            |                                                                                                                                                                    | ESR             | Within initial limits<br>T527/T529 Series: N/A                                                                                                                                              |                                              |          |                                         |
| Mechanical Shock/Vibration | MIL-STD-202, Method 213, Condition I, 100 G Peak.<br>MIL-STD-202, Method 204, Condition D, 10 Hz to 2,000 Hz, 20 G peak                                            | Δ C/C           | Within ±10% of initial value<br>Within initial DC/C limits                                                                                                                                  |                                              |          |                                         |
|                            |                                                                                                                                                                    | DF              | Within initial limits                                                                                                                                                                       |                                              |          |                                         |
|                            |                                                                                                                                                                    | DCL             | Within initial limits                                                                                                                                                                       |                                              |          |                                         |

\*IL = Initial limit

\*\*Refer to part number specifications for individual temperature classification.

## Reliability

KO-CAP capacitors have an average failure rate of 0.5 %/1,000 hours at category voltage,  $U_C$ , and category temperature,  $T_C$ . These capacitors are qualified using industry test standards at  $U_C$  and  $T_C$ . The minimum test time (1,000 hours or 2,000 hours) is dependent on the product series.

The actual life expectancy of KO-CAP capacitors increases when application voltage,  $U_A$ , and application temperature,  $T_A$ , are lower than  $U_C$  and  $T_C$ . As a general guideline, when  $U_A < 0.9 * U_C$  and  $T_A < 85^\circ\text{C}$ , the life expectancy will typically exceed the useful lifetime of most hardware (> 10 years).

The lifetime of a KO-CAP capacitor at a specific application voltage and temperature can be modeled using the equations below. A failure is defined as passing enough current to blow a 1-amp fuse. The calculation is an estimation based on empirical results and is not a guarantee.

$$VAF = \left(\frac{U_C}{U_A}\right)^n$$

where:

VAF = acceleration factor due to voltage, unitless

$U_C$  = category voltage, volt

$U_A$  = application voltage, volt

n = exponent, 16

$$TAF = e^{\left[\frac{E_a}{k} \left(\frac{1}{273+T_A} - \frac{1}{273+T_C}\right)\right]}$$

where:

TAF = acceleration factor due to temperature, unitless

$E_a$  = activation energy, 1.4 eV

k = Boltzmann's constant, 8.617E-5 eV/K

$T_A$  = application temperature, °C

$T_C$  = category temperature, °C

$$AF = VAF * TAF$$

where:

AF = acceleration factor, unitless

TAF = acceleration factor due to temperature, unitless

VAF = acceleration factor due to voltage, unitless

$$Life_{U_A, T_A} = Life_{U_C, T_C} * AF$$

where:

$Life_{U_A, T_A}$  = guaranteed life application voltage and temperature, years

$Life_{U_C, T_C}$  = guaranteed life category voltage and temperature, years

AF = acceleration factor, unitless

### Terms:

Category voltage,  $U_C$ : maximum recommended peak DC operating voltage for continuous operation at the category temperature,  $T_C$

Rated voltage,  $U_R$ : maximum recommended peak DC operating voltage for continuous operation up to the rated temperature,  $T_R$

Category temperature,  $T_C$ : maximum recommended operating temperature. Voltage derating may be required at  $T_C$

Rated temperature,  $T_R$ : maximum recommended operating temperature without voltage derating.  $T_R$  is equal to or lower than  $T_C$

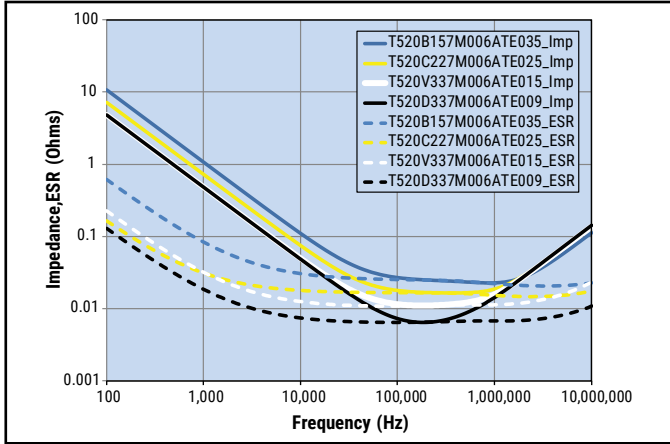
**Reliability Table 1 – Common temperature range classifications**

|                                      |                            |     |     |     |     |      |      |      |      |      |      |      |      |      |
|--------------------------------------|----------------------------|-----|-----|-----|-----|------|------|------|------|------|------|------|------|------|
| 85°C ( $T_R$ ) /<br>85°C ( $T_C$ )   | Rated Voltage ( $U_R$ )    | 2.5 | 4.0 | 6.3 | 8.0 | 10.0 | 12.5 | 16.0 | 20.0 | 25.0 | 35.0 | 50.0 | 63.0 | 75.0 |
|                                      | Category Voltage ( $U_C$ ) | 2.5 | 4.0 | 6.3 | 8.0 | 10.0 | 12.5 | 16.0 | 20.0 | 25.0 | 35.0 | 50.0 | 63.0 | 75.0 |
| 105°C ( $T_R$ ) /<br>105°C ( $T_C$ ) | Rated Voltage ( $T_R$ )    | 2.5 | 4.0 | 6.3 | 8.0 | 10.0 | 12.5 | 16.0 | 20.0 | 25.0 | 35.0 | 50.0 | 63.0 | 75.0 |
|                                      | Category Voltage ( $U_C$ ) | 2.5 | 4.0 | 6.3 | 8.0 | 10.0 | 12.5 | 16.0 | 20.0 | 25.0 | 35.0 | 50.0 | 63.0 | 75.0 |
| 105°C ( $T_R$ ) /<br>125°C ( $T_C$ ) | Rated Voltage ( $T_R$ )    | 2.5 | 4.0 | 6.3 | 8.0 | 10.0 | 12.5 | 16.0 | 20.0 | 25.0 | 35.0 | 50.0 | 63.0 | 75.0 |
|                                      | Category Voltage ( $U_C$ ) | 1.7 | 2.7 | 4.2 | 5.4 | 6.7  | 8.4  | 10.7 | 13.4 | 16.8 | 23.5 | 33.5 | 42.2 | 50.3 |

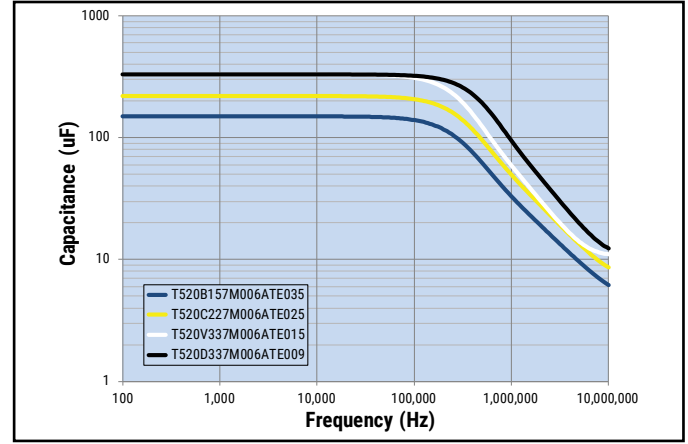
## Electrical Characteristics

### T520 Standard (2 V – 10 V)

ESR vs. Frequency

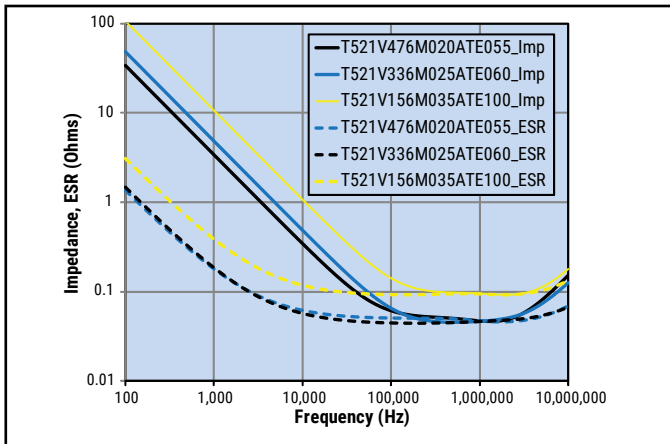


Capacitance vs. Frequency

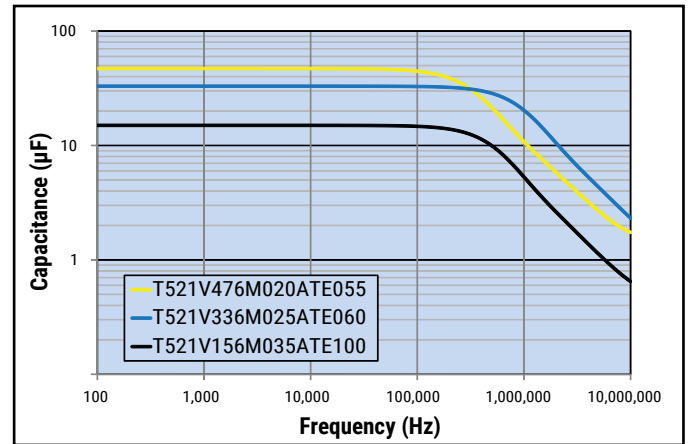


### T521 High Voltage (12 V – 75 V)

ESR vs. Frequency

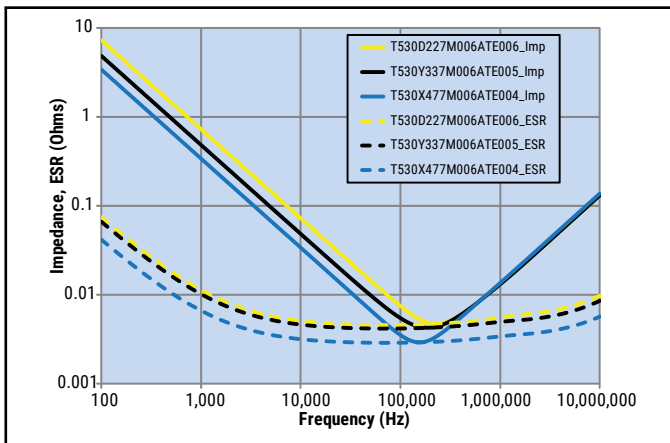


Capacitance vs. Frequency

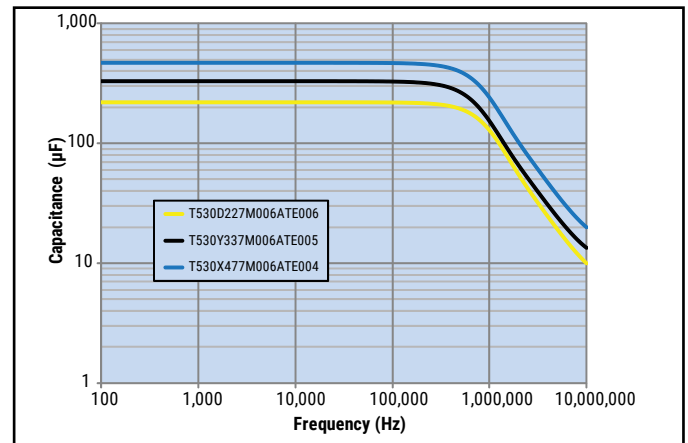


### T530 High Cap/Low ESR (2 V – 10 V)

ESR vs. Frequency



Capacitance vs. Frequency

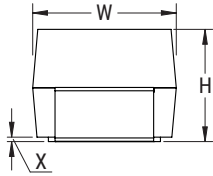


## Dimensions – Millimeters (Inches)

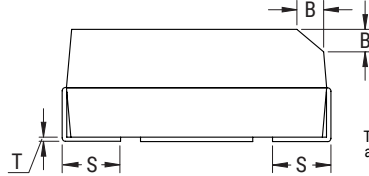
Metric will govern

### T520/T521/T525/T530

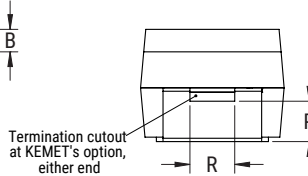
CATHODE (-) END VIEW



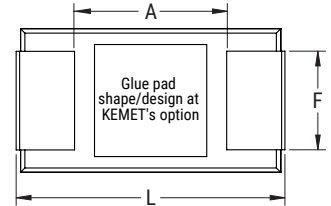
SIDE VIEW



ANODE (+) END VIEW



BOTTOM VIEW



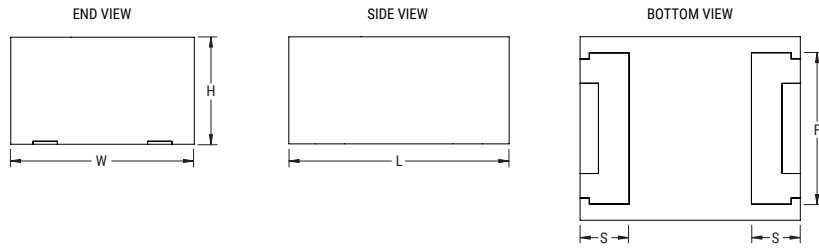
| Case Size |         | Component Dimensions     |                          |                            |                                          |                                                            |                        |                            |                |                |                 |                | Total Weight (mg) |
|-----------|---------|--------------------------|--------------------------|----------------------------|------------------------------------------|------------------------------------------------------------|------------------------|----------------------------|----------------|----------------|-----------------|----------------|-------------------|
| KEMET     | EIA     | L                        | W                        | H                          | F<br>±0.1 ±(0.004)                       | S<br>±0.3 ±(0.012)<br>S1 ±0.4 (0.0157)<br>S2 ±0.2 (0.00)   | B±0.15<br>(Ref) ±0.006 | X<br>(Ref)                 | P<br>(Ref)     | R<br>(Ref)     | T<br>(Ref)      | A<br>(Min)     |                   |
| A         | 3216-18 | 3.2±0.2<br>(0.126±0.008) | 1.6±0.2<br>(0.063±0.008) | 1.6±0.2<br>(0.063±0.008)   | 1.2<br>(0.047)                           | 0.80<br>(0.032)                                            | N/A                    | 0.10±0.10<br>(0.004±0.004) | 0.4<br>(0.016) | 0.4<br>(0.016) | 0.13<br>(0.005) | 1.2 (0.047)    | 53                |
| B         | 3528-21 | 3.5±0.2<br>(0.138±0.008) | 2.8±0.2<br>(0.110±0.008) | 1.9±0.2<br>(0.075±0.008)   | 2.2<br>(0.087)                           | 0.80<br>(0.032)                                            | 0.4<br>(0.016)         | 0.10±0.10<br>(0.004±0.004) | 0.5<br>(0.020) | 1.0<br>(0.039) | 0.13<br>(0.005) | 1.9 (0.075)    | 95                |
| C         | 6032-28 | 6.0±0.3<br>(0.236±0.012) | 3.2±0.3<br>(0.126±0.012) | 2.5±0.3<br>(0.098±0.012)   | 2.2<br>(0.087)                           | 1.30<br>(0.051)                                            | 0.5<br>(0.020)         | 0.10±0.10<br>(0.004±0.004) | 0.9<br>(0.035) | 1.0<br>(0.039) | 0.13<br>(0.005) | 2.9<br>(0.114) | 184               |
| D         | 7343-31 | 7.3±0.3<br>(0.287±0.012) | 4.3±0.3<br>(0.169±0.012) | 2.8±0.3<br>(0.110±0.012)   | 2.4<br>(0.094)                           | 1.30<br>(0.051)                                            | 0.5<br>(0.020)         | 0.10±0.10<br>(0.004±0.004) | 0.9<br>(0.035) | 1.0<br>(0.039) | 0.13<br>(0.005) | 3.6<br>(0.142) | 435               |
| H         | 7360-20 | 7.3±0.3<br>(0.287±0.012) | 6.0±0.3<br>(0.236±0.012) | 1.9±0.1<br>(0.075±0.004)   | 4.1<br>(0.161)                           | 1.3<br>(0.051)                                             | N/A                    | 0.10±0.10<br>(0.004±0.004) | N/A            | N/A            | 0.13<br>(0.005) | 3.3<br>(0.130) | 385               |
| J         | 7360-15 | 7.3±0.3<br>(0.287±0.012) | 6.0±0.3<br>(0.236±0.012) | 1.5 (0.059)<br>Maximum     | 4.1<br>(0.161)                           | 1.3<br>(0.051)                                             | N/A                    | 0.10±0.10<br>(0.004±0.004) | N/A            | N/A            | N/A             | 3.3<br>(0.130) | 263               |
| L         | 6032-19 | 6.0±0.3<br>(0.236±0.012) | 3.2±0.2<br>(0.110±0.008) | 1.8±0.1<br>(0.071±0.004)   | 2.2<br>(0.087)                           | 1.3<br>(0.051)                                             | N/A                    | 0.05<br>(0.002)            | N/A            | N/A            | 0.13<br>(0.005) | 2.5<br>(0.098) | 187               |
| M         | 3528-15 | 3.5±0.2<br>(0.138±0.008) | 2.8±0.2<br>(0.110±0.008) | 1.4±0.1<br>(0.055±0.004)   | 2.2<br>(0.087)                           | 0.8<br>(0.031)                                             | N/A                    | 0.05<br>(0.002)            | N/A            | N/A            | 0.13<br>(0.005) | 1.1<br>(0.043) | 98                |
| Q         | 7343-12 | 7.3±0.3<br>(0.287±0.012) | 4.3±0.3<br>(0.169±0.012) | 1.1±0.1<br>(0.043±0.004)   | 2.4<br>(0.094)                           | 1.3<br>(0.051)                                             | N/A                    | 0.05<br>(0.002)            | N/A            | N/A            | 0.13<br>(0.005) | 3.8<br>(0.150) | 170               |
| T         | 3528-12 | 3.5±0.2<br>(0.138±0.008) | 2.8±0.2<br>(0.110±0.008) | 1.1±0.1<br>(0.043±0.004)   | 2.2<br>(0.087)                           | 0.80<br>(0.032)                                            | N/A                    | 0.05<br>(0.002)            | N/A            | N/A            | 0.13<br>(0.005) | 1.9<br>(0.075) | 55                |
| U         | 6032-15 | 6.0±0.3<br>(0.236±0.012) | 3.2±0.3<br>(0.126±0.012) | 1.4±0.1<br>(0.055±0.004)   | 2.2<br>(0.087)                           | 1.30<br>(0.051)                                            | N/A                    | 0.05<br>(0.002)            | N/A            | N/A            | 0.13<br>(0.005) | 2.9<br>(0.114) | 117               |
| V         | 7343-19 | 7.3±0.3<br>(0.287±0.012) | 4.3±0.3<br>(0.169±0.012) | 1.8±0.1 *<br>(0.071±0.004) | 2.4<br>(0.094)                           | 1.30<br>(0.051)                                            | N/A                    | 0.05<br>(0.002)            | N/A            | N/A            | 0.13<br>(0.005) | 3.6<br>(0.142) | 274               |
| W         | 7343-15 | 7.3±0.3<br>(0.287±0.012) | 4.3±0.3<br>(0.169±0.012) | 1.4±0.1<br>(0.055±0.004)   | 2.4(.094)<br>2.8±0.2<br>(0.110±0.0079)** | 1.30 (0.051)<br>S1 = 5.0 (0.197) **<br>S2 = 1.3 (0.051) ** | N/A                    | 0.05<br>(0.002)            | N/A            | N/A            | 0.13<br>(0.005) | 3.6<br>(0.142) | 223               |
| X         | 7343-43 | 7.3±0.3<br>(0.287±0.012) | 4.3±0.3<br>(0.169±0.012) | 4.0±0.3<br>(0.157±0.012)   | 2.4<br>(0.094)                           | 1.30<br>(0.051)                                            | 0.5<br>(0.020)         | 0.10±0.10<br>(0.004±0.004) | 1.7<br>(0.067) | 1.0 (.039)     | 0.13<br>(0.005) | 3.6<br>(0.142) | 554               |
| Y         | 7343-40 | 7.3±0.3<br>(0.287±0.012) | 4.3±0.3<br>(0.169±0.012) | 3.8±0.2<br>(0.150±0.008)   | 2.4<br>(0.094)                           | 1.3<br>(0.051)                                             | 0.5<br>(0.020)         | 0.10±0.10<br>(0.004±0.004) | 1.7<br>(0.067) | 1.0<br>(0.039) | 0.13<br>(0.005) | 3.8<br>(0.150) | 494               |

\* Height tolerance is ±0.2 for V case T521 only

\*\* S1 and S2 is for T528 series only

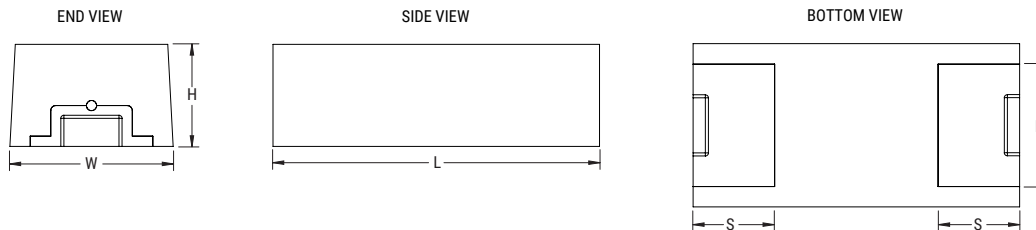
## Dimensions – Millimeters cont'd

### T523



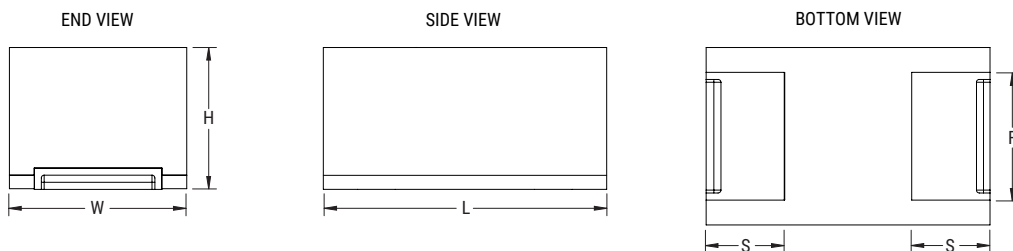
| KEMET | EIA     | L                        | W                        | H                        | F ±0.1<br>(±0.004) | S ±0.3<br>(±0.012) | Total Weight<br>(mg) |
|-------|---------|--------------------------|--------------------------|--------------------------|--------------------|--------------------|----------------------|
| W     | 7343-15 | 7.3±0.3<br>(0.287±0.012) | 4.3±0.3<br>(0.169±0.012) | 1.4±0.1<br>(0.055±0.004) | 2.4<br>(0.094)     | 1.3<br>(0.051)     | 223                  |
| J     | 7360-15 | 7.3±0.3<br>(0.287±0.012) | 6.0±0.3<br>(0.236±0.012) | 1.4±0.1<br>(0.055±0.004) | 4.45<br>(0.175)    | 1.6<br>(0.063)     | 263                  |
| V     | 7343-20 | 7.3±0.3<br>(0.287±0.012) | 4.3±0.3<br>(0.169±0.012) | 1.9±0.1<br>(0.075±0.004) | 2.4<br>(0.094)     | 1.3<br>(0.051)     | 274                  |
| H     | 7360-20 | 7.3±0.3<br>(0.287±0.012) | 6.0±0.3<br>(0.236±0.012) | 1.9±0.1<br>(0.075±0.004) | 4.45<br>(0.175)    | 1.6<br>(0.063)     | 385                  |

### T527



| Case Size |         | Component Dimensions |         |         |         |         | Weight |
|-----------|---------|----------------------|---------|---------|---------|---------|--------|
| KEMET     | EIA     | L                    | W       | H       | F       | S       | (mg)   |
| I         | 3216-10 | 3.2±0.2              | 1.6±0.2 | 0.9±0.1 | 1.2±0.1 | 0.8±0.2 | 70     |

### T529



| Case Size |         | Component Dimensions |          |             |         |          | Weight |
|-----------|---------|----------------------|----------|-------------|---------|----------|--------|
| KEMET     | EIA     | L                    | W        | H           | F       | S        | (mg)   |
| P         | 2012-10 | 2.0±0.1              | 1.25±0.1 | 1.0 maximum | 0.9±0.1 | 0.55±0.1 | 11.4   |
| I         | 3216-10 | 3.2±0.2              | 1.6±0.2  | 1.0 maximum | 1.2±0.1 | 0.8±0.1  | 70     |

**Table 1 – Ratings & Part Number Reference**

| Rated Voltage | Rated Capacitance | Case Code/<br>Case Size | KEMET Part Number            | DC Leakage                    | DF                       | ESR                        | Maximum Allowable Ripple Current | MSL                 | Maximum Operating Temp |
|---------------|-------------------|-------------------------|------------------------------|-------------------------------|--------------------------|----------------------------|----------------------------------|---------------------|------------------------|
| VDC at 105°C  | µF                | KEMET/EIA               | (See below for part options) | µA at 25°C Maximum/ 5 Minutes | % at 25°C 120 Hz Maximum | mΩ at 25°C 100 kHz Maximum | mA at +45°C 100 kHz              | Reflow Temp ≤ 260°C | °C                     |
| 2             | 470               | V/7343-19               | T520V477M002A(1)E040         | 94                            | 10                       | 40                         | 2200                             | 3                   | 105                    |
| 2.5           | 47                | A/3216-18               | T520A476M2R5A(1)E090         | 11.75                         | 8                        | 90                         | 1100                             | 3                   | 105                    |
| 2.5           | 68                | A/3216-18               | T520A686M2R5A(1)E070         | 17                            | 8                        | 70                         | 1300                             | 3                   | 105                    |
| 2.5           | 68                | A/3216-18               | T520A686M2R5A(1)E080         | 17                            | 8                        | 80                         | 1200                             | 3                   | 105                    |
| 2.5           | 100               | T/3528-12               | T520T107M2R5A(1)E040         | 25                            | 8                        | 40                         | 1600                             | 3                   | 105                    |
| 2.5           | 100               | T/3528-12               | T520T107M2R5A(1)E070         | 25                            | 8                        | 70                         | 1200                             | 3                   | 105                    |
| 2.5           | 100               | T/3528-12               | T525T107M2R5A(1)E080         | 25                            | 10                       | 80                         | 1100                             | 3                   | 125                    |
| 2.5           | 100               | B/3528-21               | T520B107M2R5A(1)E025         | 25                            | 8                        | 25                         | 2300                             | 3                   | 105                    |
| 2.5           | 100               | B/3528-21               | T520B107M2R5A(1)E035         | 25                            | 8                        | 35                         | 1900                             | 3                   | 105                    |
| 2.5           | 100               | B/3528-21               | T520B107M2R5A(1)E040         | 25                            | 8                        | 40                         | 1800                             | 3                   | 105                    |
| 2.5           | 100               | B/3528-21               | T520B107M2R5A(1)E070         | 25                            | 8                        | 70                         | 1300                             | 3                   | 105                    |
| 2.5           | 150               | U/6032-15               | T520U157M2R5A(1)E055         | 37.5                          | 8                        | 55                         | 1600                             | 3                   | 105                    |
| 2.5           | 220               | A/3216-18               | T520A227M2R5A(1)E025         | 55                            | 8                        | 25                         | 1732                             | 3                   | 105                    |
| 2.5           | 220               | A/3216-18               | T520A227M2R5A(1)E035         | 55                            | 8                        | 35                         | 1500                             | 3                   | 105                    |
| 2.5           | 220               | B/3528-21               | T520B227M2R5A(1)E015         | 55                            | 8                        | 15                         | 2900                             | 3                   | 105                    |
| 2.5           | 220               | B/3528-21               | T520B227M2R5A(1)E018         | 55                            | 8                        | 18                         | 2700                             | 3                   | 105                    |
| 2.5           | 220               | B/3528-21               | T520B227M2R5A(1)E021         | 55                            | 8                        | 21                         | 2500                             | 3                   | 105                    |
| 2.5           | 220               | B/3528-21               | T520B227M2R5A(1)E025         | 55                            | 8                        | 25                         | 2300                             | 3                   | 105                    |
| 2.5           | 220               | B/3528-21               | T520B227M2R5A(1)E030         | 55                            | 8                        | 30                         | 2100                             | 3                   | 105                    |
| 2.5           | 220               | B/3528-21               | T520B227M2R5A(1)E035         | 55                            | 8                        | 35                         | 1900                             | 3                   | 105                    |
| 2.5           | 220               | B/3528-21               | T520B227M2R5A(1)E055         | 55                            | 8                        | 55                         | 1500                             | 3                   | 105                    |
| 2.5           | 220               | B/3528-21               | T520B227M2R5A(1)E070         | 55                            | 8                        | 70                         | 1300                             | 3                   | 105                    |
| 2.5           | 220               | T/3528-12               | T520T227M2R5A(1)E070         | 55                            | 10                       | 70                         | 1200                             | 3                   | 105                    |
| 2.5           | 220               | U/6032-15               | T520U227M2R5A(1)E055         | 55                            | 8                        | 55                         | 1600                             | 3                   | 105                    |
| 2.5           | 220               | C/6032-28               | T520C227M2R5A(1)E025         | 55                            | 8                        | 25                         | 2600                             | 3                   | 105                    |
| 2.5           | 220               | C/6032-28               | T520C227M2R5A(1)E045         | 55                            | 8                        | 45                         | 1900                             | 3                   | 105                    |
| 2.5           | 220               | W/7343-15               | T520W227M2R5A(1)E025         | 55                            | 10                       | 25                         | 2700                             | 3                   | 105                    |
| 2.5           | 220               | V/7343-19               | T520V227M2R5A(1)E006         | 55                            | 10                       | 6                          | 5600                             | 3                   | 105                    |
| 2.5           | 220               | V/7343-19               | T520V227M2R5A(1)E007         | 55                            | 10                       | 7                          | 5200                             | 3                   | 105                    |
| 2.5           | 220               | V/7343-19               | T520V227M2R5A(1)E009         | 55                            | 10                       | 9                          | 4600                             | 3                   | 105                    |
| 2.5           | 220               | V/7343-19               | T520V227M2R5A(1)E012         | 55                            | 10                       | 12                         | 3900                             | 3                   | 105                    |
| 2.5           | 220               | V/7343-19               | T520V227M2R5A(1)E015         | 55                            | 10                       | 15                         | 3500                             | 3                   | 105                    |
| 2.5           | 220               | V/7343-19               | T520V227M2R5A(1)E025         | 55                            | 10                       | 25                         | 2700                             | 3                   | 105                    |
| 2.5           | 220               | V/7343-19               | T520V227M2R5A(1)E045         | 55                            | 10                       | 45                         | 2000                             | 3                   | 105                    |
| 2.5           | 220               | D/7343-31               | T520D227M2R5A(1)E007         | 55                            | 10                       | 7                          | 5700                             | 3                   | 105                    |
| 2.5           | 220               | D/7343-31               | T520D227M2R5A(1)E040         | 55                            | 10                       | 40                         | 2400                             | 3                   | 105                    |
| 2.5           | 330               | B/3528-21               | T520B337M2R5A(1)E009         | 82.5                          | 8                        | 9                          | 3073                             | 3                   | 105                    |
| 2.5           | 330               | B/3528-21               | T520B337M2R5A(1)E012         | 83                            | 8                        | 12                         | 2700                             | 3                   | 105                    |
| 2.5           | 330               | B/3528-21               | T520B337M2R5A(1)E015         | 82.5                          | 8                        | 15                         | 2900                             | 3                   | 105                    |
| 2.5           | 330               | B/3528-21               | T520B337M2R5A(1)E018         | 82.5                          | 8                        | 18                         | 2700                             | 3                   | 105                    |
| 2.5           | 330               | B/3528-21               | T520B337M2R5A(1)E035         | 82.5                          | 8                        | 35                         | 1900                             | 3                   | 105                    |
| 2.5           | 330               | B/3528-21               | T520B337M2R5A(1)E045         | 82.5                          | 8                        | 45                         | 1700                             | 3                   | 105                    |
| 2.5           | 330               | B/3528-21               | T520B337M2R5A(1)E070         | 82.5                          | 8                        | 70                         | 1300                             | 3                   | 105                    |
| VDC at 105°C  | µF                | KEMET/EIA               | (See below for part options) | µA at 25°C Maximum/ 5 Minutes | % at 25°C 120 Hz Maximum | mΩ at 25°C 100 kHz Maximum | mA at +45°C 100 kHz              | Reflow Temp ≤ 260°C | °C                     |
| Rated Voltage | Rated Capacitance | Case Code/<br>Case Size | KEMET Part Number            | DC Leakage                    | DF                       | ESR                        | Maximum Allowable Ripple Current | MSL                 | Maximum Operating Temp |

(1) To complete KEMET part number, insert T = 100% Matte Tin (Sn) Plated, H = Standard Solder coated (SnPb 5% Pb minimum), N = Non-Magnetic 100% Tin (Sn), M = Non-Magnetic (SnPb). Refer to Ordering Information for additional detail.

(2) To complete KEMET part number, insert M for ± 20% or K for ± 10%. Designates Capacitance tolerance.

Higher voltage ratings and tighter ESR may be substituted within the same size at KEMET's option. Voltage substitutions will be marked with the higher voltage rating. Substitutions can include better than series.

Part numbers marked in blue font are not recommended for new designs. Please use the T521 series instead.

Part numbers marked in orange font are not recommended for new designs. Please contact your KEMET representative for a replacement part.

^ Denotes the large reel (13") is not available.

Refer to Ordering Information for additional detail.

**Table 1 – Ratings & Part Number Reference cont'd**

| Rated Voltage | Rated Capacitance | Case Code/<br>Case Size | KEMET Part Number            | DC Leakage                    | DF                       | ESR                        | Maximum Allowable Ripple Current | MSL                 | Maximum Operating Temp |
|---------------|-------------------|-------------------------|------------------------------|-------------------------------|--------------------------|----------------------------|----------------------------------|---------------------|------------------------|
| VDC at 105°C  | µF                | KEMET/EIA               | (See below for part options) | µA at 25°C Maximum/ 5 Minutes | % at 25°C 120 Hz Maximum | mΩ at 25°C 100 kHz Maximum | mA at +45°C 100 kHz              | Reflow Temp ≤ 260°C | °C                     |
| 2.5           | 330               | C/6032-28               | T520C337M2R5A(1)E015         | 82.5                          | 8                        | 15                         | 3300                             | 3                   | 105                    |
| 2.5           | 330               | C/6032-28               | T520C337M2R5A(1)E018         | 82.5                          | 8                        | 18                         | 3000                             | 3                   | 105                    |
| 2.5           | 330               | C/6032-28               | T520C337M2R5A(1)E025         | 82.5                          | 8                        | 25                         | 2600                             | 3                   | 105                    |
| 2.5           | 330               | C/6032-28               | T520C337M2R5A(1)E045         | 82.5                          | 8                        | 45                         | 1900                             | 3                   | 105                    |
| 2.5           | 330               | L/6032-19               | T520L337M2R5A(1)E009         | 82.5                          | 8                        | 9                          | 4100                             | 3                   | 105                    |
| 2.5           | 330               | L/6032-19               | T520L337M2R5A(1)E012         | 82.5                          | 8                        | 12                         | 3500                             | 3                   | 105                    |
| 2.5           | 330               | L/6032-19               | T520L337M2R5A(1)E025         | 82.5                          | 8                        | 25                         | 2400                             | 3                   | 105                    |
| 2.5           | 330               | W/7343-15               | T520W337M2R5A(1)E015         | 82.5                          | 10                       | 15                         | 3500                             | 3                   | 105                    |
| 2.5           | 330               | W/7343-15               | T520W337M2R5A(1)E025         | 82.5                          | 10                       | 25                         | 2700                             | 3                   | 105                    |
| 2.5           | 330               | W/7343-15               | T520W337M2R5A(1)E040         | 82.5                          | 10                       | 40                         | 2100                             | 3                   | 105                    |
| 2.5           | 330               | V/7343-19               | T520V337M2R5A(1)E006         | 82.5                          | 10                       | 6                          | 5600                             | 3                   | 105                    |
| 2.5           | 330               | V/7343-19               | T520V337M2R5A(1)E007         | 82.5                          | 10                       | 7                          | 5200                             | 3                   | 105                    |
| 2.5           | 330               | V/7343-19               | T520V337M2R5A(1)E009         | 82.5                          | 10                       | 9                          | 4600                             | 3                   | 105                    |
| 2.5           | 330               | V/7343-19               | T520V337M2R5A(1)E012         | 82.5                          | 10                       | 12                         | 3900                             | 3                   | 105                    |
| 2.5           | 330               | V/7343-19               | T520V337M2R5A(1)E015         | 82.5                          | 10                       | 15                         | 3500                             | 3                   | 105                    |
| 2.5           | 330               | V/7343-19               | T520V337M2R5A(1)E018         | 82.5                          | 10                       | 18                         | 3200                             | 3                   | 105                    |
| 2.5           | 330               | V/7343-19               | T520V337M2R5A(1)E025         | 82.5                          | 10                       | 25                         | 2700                             | 3                   | 105                    |
| 2.5           | 330               | V/7343-19               | T520V337M2R5A(1)E040         | 82.5                          | 10                       | 40                         | 2200                             | 3                   | 105                    |
| 2.5           | 330               | D/7343-31               | T520D337M2R5A(1)E006         | 82.5                          | 10                       | 6                          | 6100                             | 3                   | 105                    |
| 2.5           | 330               | D/7343-31               | T520D337M2R5A(1)E007         | 82.5                          | 10                       | 7                          | 5700                             | 3                   | 105                    |
| 2.5           | 330               | D/7343-31               | T525D337M2R5A(1)E025         | 82.5                          | 10                       | 25                         | 3000                             | 3                   | 125                    |
| 2.5           | 470               | V/7343-19               | T520V477M2R5A(1)E006         | 117.5                         | 10                       | 6                          | 5600                             | 3                   | 105                    |
| 2.5           | 470               | V/7343-19               | T520V477M2R5A(1)E007         | 117.5                         | 10                       | 7                          | 5200                             | 3                   | 105                    |
| 2.5           | 470               | V/7343-19               | T520V477M2R5A(1)E009         | 117.5                         | 10                       | 9                          | 4600                             | 3                   | 105                    |
| 2.5           | 470               | V/7343-19               | T520V477M2R5A(1)E012         | 117.5                         | 10                       | 12                         | 3900                             | 3                   | 105                    |
| 2.5           | 470               | V/7343-19               | T520V477M2R5A(1)E015         | 117.5                         | 10                       | 15                         | 3500                             | 3                   | 105                    |
| 2.5           | 470               | V/7343-19               | T520V477M2R5A(1)E018         | 117.5                         | 10                       | 18                         | 3200                             | 3                   | 105                    |
| 2.5           | 470               | C/6032-28               | T520C477M2R5A(1)E025         | 117.5                         | 8                        | 25                         | 2600                             | 3                   | 105                    |
| 2.5           | 470               | C/6032-28               | T520C477M2R5A(1)E045         | 117.5                         | 8                        | 45                         | 1900                             | 3                   | 105                    |
| 2.5           | 470               | D/7343-31               | T530D477M2R5A(1)E005         | 117.5                         | 8                        | 5                          | 7100                             | 3                   | 125                    |
| 2.5           | 470               | D/7343-31               | T520D477M2R5A(1)E006         | 117.5                         | 10                       | 6                          | 6100                             | 3                   | 105                    |
| 2.5           | 470               | D/7343-31               | T530D477M2R5A(1)E006         | 117.5                         | 8                        | 6                          | 6500                             | 3                   | 125                    |
| 2.5           | 470               | D/7343-31               | T520D477M2R5A(1)E007         | 117.5                         | 10                       | 7                          | 5700                             | 3                   | 105                    |
| 2.5           | 470               | D/7343-31               | T520D477M2R5A(1)E009         | 117.5                         | 10                       | 9                          | 5000                             | 3                   | 105                    |
| 2.5           | 470               | D/7343-31               | T530D477M2R5A(1)E010         | 117.5                         | 8                        | 10                         | 5000                             | 3                   | 125                    |
| 2.5           | 470               | D/7343-31               | T525D477M2R5A(1)E025         | 117.5                         | 10                       | 25                         | 3000                             | 3                   | 125                    |
| 2.5           | 560               | D/7343-31               | T530D567M2R5A(1)E005         | 140                           | 8                        | 5                          | 7100                             | 3                   | 125                    |
| 2.5           | 680               | D/7343-31               | T530D687M2R5A(1)E006         | 170                           | 8                        | 6                          | 6500                             | 3                   | 125                    |
| 2.5           | 680               | D/7343-31               | T530D687M2R5A(1)E007         | 170                           | 8                        | 7                          | 6000                             | 3                   | 125                    |
| 2.5           | 680               | D/7343-31               | T520D687M2R5A(1)E010         | 170                           | 10                       | 10                         | 4700                             | 3                   | 105                    |
| 2.5           | 680               | D/7343-31               | T530D687M2R5A(1)E010         | 170                           | 8                        | 10                         | 5000                             | 3                   | 125                    |
| 2.5           | 680               | D/7343-31               | T520D687M2R5A(1)E015         | 170                           | 10                       | 15                         | 3900                             | 3                   | 105                    |
| 2.5           | 680               | D/7343-31               | T525D687M2R5A(1)E025         | 170                           | 10                       | 25                         | 3000                             | 3                   | 125                    |
| VDC at 105°C  | µF                | KEMET/EIA               | (See below for part options) | µA at 25°C Maximum/ 5 Minutes | % at 25°C 120 Hz Maximum | mΩ at 25°C 100 kHz Maximum | mA at +45°C 100 kHz              | Reflow Temp ≤ 260°C | °C                     |
| Rated Voltage | Rated Capacitance | Case Code/<br>Case Size | KEMET Part Number            | DC Leakage                    | DF                       | ESR                        | Maximum Allowable Ripple Current | MSL                 | Maximum Operating Temp |

(1) To complete KEMET part number, insert T = 100% Matte Tin (Sn) Plated, H = Standard Solder coated (SnPb 5% Pb minimum), N = Non-Magnetic 100% Tin (Sn), M = Non-Magnetic (SnPb). Refer to Ordering Information for additional detail.

(2) To complete KEMET part number, insert M for ± 20% or K for ± 10%. Designates Capacitance tolerance.

Higher voltage ratings and tighter ESR may be substituted within the same size at KEMET's option. Voltage substitutions will be marked with the higher voltage rating. Substitutions can include better than series.

Part numbers marked in blue font are not recommended for new designs. Please use the T521 series instead.

Part numbers marked in orange font are not recommended for new designs. Please contact your KEMET representative for a replacement part.

^ Denotes the large reel (13") is not available.

Refer to Ordering Information for additional detail.

**Table 1 – Ratings & Part Number Reference cont'd**

| Rated Voltage | Rated Capacitance | Case Code/<br>Case Size | KEMET Part Number            | DC Leakage                       | DF                       | ESR                        | Maximum Allowable Ripple Current | MSL                 | Maximum Operating Temp |
|---------------|-------------------|-------------------------|------------------------------|----------------------------------|--------------------------|----------------------------|----------------------------------|---------------------|------------------------|
| VDC at 105°C  | µF                | KEMET/EIA               | (See below for part options) | µA at 25°C Maximum/<br>5 Minutes | % at 25°C 120 Hz Maximum | mΩ at 25°C 100 kHz Maximum | mA at +45°C 100 kHz              | Reflow Temp ≤ 260°C | °C                     |
| 2.5           | 680               | D/7343-31               | T520D687M2R5A(1)E040         | 170                              | 10                       | 40                         | 2400                             | 3                   | 105                    |
| 2.5           | 680               | Y/7343-40               | T530Y687M2R5A(1)E005         | 170                              | 8                        | 5                          | 7300                             | 3                   | 125                    |
| 2.5           | 680               | Y/7343-40               | T530Y687M2R5A(1)E006         | 170                              | 8                        | 6                          | 6600                             | 3                   | 125                    |
| 2.5           | 680               | Y/7343-40               | T530Y687M2R5A(1)E007         | 170                              | 8                        | 7                          | 6100                             | 3                   | 125                    |
| 2.5           | 680               | Y/7343-40               | T520Y687M2R5A(1)E015         | 170                              | 10                       | 15                         | 4000                             | 3                   | 105                    |
| 2.5           | 680               | Y/7343-40               | T520Y687M2R5A(1)E025         | 170                              | 10                       | 25                         | 3100                             | 3                   | 105                    |
| 2.5           | 680               | X/7343-43               | T530X687M2R5A(1)E006         | 170                              | 8                        | 6                          | 6700                             | 3                   | 125                    |
| 2.5           | 1000              | D/7343-31               | T520D108M2R5A(1)E4R5         | 250                              | 10                       | 4.5                        | 7100                             | 3                   | 105                    |
| 2.5           | 1000              | D/7343-31               | T520D108M2R5A(1)E006         | 250                              | 10                       | 6                          | 6100                             | 3                   | 105                    |
| 2.5           | 1000              | D/7343-31               | T520D108M2R5A(1)E007         | 250                              | 10                       | 7                          | 5700                             | 3                   | 105                    |
| 2.5           | 1000              | D/7343-31               | T520D108M2R5A(1)E009         | 250                              | 10                       | 9                          | 5000                             | 3                   | 105                    |
| 2.5           | 1000              | D/7343-31               | T520D108M2R5A(1)E010         | 250                              | 10                       | 10                         | 4700                             | 3                   | 105                    |
| 2.5           | 1000              | D/7343-31               | T520D108M2R5A(1)E015         | 250                              | 10                       | 15                         | 3900                             | 3                   | 105                    |
| 2.5           | 1000              | D/7343-31               | T520D108M2R5A(1)E030         | 250                              | 10                       | 30                         | 2700                             | 3                   | 105                    |
| 2.5           | 1000              | Y/7343-40               | T530Y108M2R5A(1)E005         | 250                              | 8                        | 5                          | 7300                             | 3                   | 125                    |
| 2.5           | 1000              | Y/7343-40               | T530Y108M2R5A(1)E006         | 250                              | 8                        | 6                          | 6600                             | 3                   | 125                    |
| 2.5           | 1000              | Y/7343-40               | T520Y108M2R5A(1)E010         | 250                              | 10                       | 10                         | 4900                             | 3                   | 105                    |
| 2.5           | 1000              | Y/7343-40               | T520Y108M2R5A(1)E015         | 250                              | 10                       | 15                         | 4000                             | 3                   | 105                    |
| 2.5           | 1000              | Y/7343-40               | T520Y108M2R5A(1)E025         | 250                              | 10                       | 25                         | 3100                             | 3                   | 105                    |
| 2.5           | 1000              | X/7343-43               | T530X108M2R5A(1)E004         | 250                              | 8                        | 4                          | 8200                             | 3                   | 125                    |
| 2.5           | 1000              | X/7343-43               | T530X108M2R5A(1)E005         | 250                              | 8                        | 5                          | 7300                             | 3                   | 125                    |
| 2.5           | 1000              | X/7343-43               | T530X108M2R5A(1)E006         | 250                              | 8                        | 6                          | 6700                             | 3                   | 125                    |
| 2.5           | 1000              | X/7343-43               | T520X108M2R5A(1)E010         | 250                              | 10                       | 10                         | 5000                             | 3                   | 105                    |
| 2.5           | 1500              | X/7343-43               | T530X158M2R5A(1)E005         | 375                              | 8                        | 5                          | 7300                             | 3                   | 125                    |
| 2.5           | 1500              | X/7343-43               | T520X158M2R5A(1)E015         | 375                              | 10                       | 15                         | 4100                             | 3                   | 105                    |
| 3             | 100               | B/3528-21               | T525B107M003A(1)E080         | 30                               | 8                        | 80                         | 1300                             | 3                   | 125                    |
| 3             | 100               | B/3528-21               | T520B107M003A(1)E025         | 30                               | 8                        | 25                         | 2300                             | 3                   | 105                    |
| 3             | 100               | B/3528-21               | T520B107M003A(1)E035         | 30                               | 8                        | 35                         | 1900                             | 3                   | 105                    |
| 3             | 100               | B/3528-21               | T520B107M003A(1)E040         | 30                               | 8                        | 40                         | 1800                             | 3                   | 105                    |
| 3             | 100               | B/3528-21               | T520B107M003A(1)E070         | 30                               | 8                        | 70                         | 1300                             | 3                   | 105                    |
| 3             | 150               | B/3528-21               | T520B157M003A(1)E025         | 45                               | 8                        | 25                         | 2300                             | 3                   | 105                    |
| 3             | 150               | B/3528-21               | T520B157M003A(1)E035         | 45                               | 8                        | 35                         | 1900                             | 3                   | 105                    |
| 3             | 150               | B/3528-21               | T520B157M003A(1)E040         | 45                               | 8                        | 40                         | 1800                             | 3                   | 105                    |
| 3             | 150               | B/3528-21               | T520B157M003A(1)E070         | 45                               | 8                        | 70                         | 1300                             | 3                   | 105                    |
| 3             | 150               | B/3528-21               | T525B157M003A(1)E080         | 45                               | 8                        | 80                         | 1300                             | 3                   | 125                    |
| 3             | 330               | V/7343-19               | T520V337M003A(1)E009         | 99                               | 10                       | 9                          | 4600                             | 3                   | 105                    |
| 3             | 330               | V/7343-19               | T520V337M003A(1)E012         | 99                               | 10                       | 12                         | 3900                             | 3                   | 105                    |
| 3             | 330               | V/7343-19               | T520V337M003A(1)E015         | 99                               | 10                       | 15                         | 3500                             | 3                   | 105                    |
| 3             | 330               | V/7343-19               | T520V337M003A(1)E025         | 99                               | 10                       | 25                         | 2700                             | 3                   | 105                    |
| 3             | 330               | D/7343-31               | T525D337M003A(1)E025         | 99                               | 10                       | 25                         | 3000                             | 3                   | 125                    |
| 3             | 470               | D/7343-31               | T530D477M003A(1)E010         | 141                              | 8                        | 10                         | 5000                             | 3                   | 125                    |
| 3             | 470               | D/7343-31               | T525D477M003A(1)E025         | 141                              | 10                       | 25                         | 3000                             | 3                   | 125                    |
| 3             | 680               | D/7343-31               | T530D687M003A(1)E010         | 204                              | 8                        | 10                         | 5000                             | 3                   | 125                    |
| VDC at 105°C  | µF                | KEMET/EIA               | (See below for part options) | µA at 25°C Maximum/<br>5 Minutes | % at 25°C 120 Hz Maximum | mΩ at 25°C 100 kHz Maximum | mA at +45°C 100 kHz              | Reflow Temp ≤ 260°C | °C                     |
| Rated Voltage | Rated Capacitance | Case Code/<br>Case Size | KEMET Part Number            | DC Leakage                       | DF                       | ESR                        | Maximum Allowable Ripple Current | MSL                 | Maximum Operating Temp |

(1) To complete KEMET part number, insert T = 100% Matte Tin (Sn) Plated, H = Standard Solder coated (SnPb 5% Pb minimum), N = Non-Magnetic 100% Tin (Sn), M = Non-Magnetic (SnPb). Refer to Ordering Information for additional detail.

(2) To complete KEMET part number, insert M for ± 20% or K for ± 10%. Designates Capacitance tolerance.

Higher voltage ratings and tighter ESR may be substituted within the same size at KEMET's option. Voltage substitutions will be marked with the higher voltage rating. Substitutions can include better than series.

**Part numbers marked in blue font are not recommended for new designs. Please use the T521 series instead.**

**Part numbers marked in orange font are not recommended for new designs. Please contact your KEMET representative for a replacement part.**

^ Denotes the large reel (13") is not available.

Refer to Ordering Information for additional detail.

**Table 1 – Ratings & Part Number Reference cont'd**

| Rated Voltage | Rated Capacitance | Case Code/<br>Case Size | KEMET Part Number            | DC Leakage                       | DF                       | ESR                        | Maximum Allowable Ripple Current | MSL                 | Maximum Operating Temp |
|---------------|-------------------|-------------------------|------------------------------|----------------------------------|--------------------------|----------------------------|----------------------------------|---------------------|------------------------|
| VDC at 105°C  | µF                | KEMET/EIA               | (See below for part options) | µA at 25°C Maximum/<br>5 Minutes | % at 25°C 120 Hz Maximum | mΩ at 25°C 100 kHz Maximum | mA at +45°C 100 kHz              | Reflow Temp ≤ 260°C | °C                     |
| 3             | 680               | D/7343-31               | T520D687M003A(1)E015         | 204                              | 10                       | 15                         | 3900                             | 3                   | 105                    |
| 3             | 680               | D/7343-31               | T525D687M003A(1)E025         | 204                              | 10                       | 25                         | 3000                             | 3                   | 125                    |
| 3             | 680               | D/7343-31               | T520D687M003A(1)E040         | 204                              | 10                       | 40                         | 2400                             | 3                   | 105                    |
| 3             | 1000              | X/7343-43               | T530X108M003A(1)E010         | 300                              | 8                        | 10                         | 5200                             | 3                   | 125                    |
| 3             | 1000              | X/7343-43               | T520X108M003A(1)E015         | 300                              | 10                       | 15                         | 4100                             | 3                   | 105                    |
| 3             | 1000              | X/7343-43               | T520X108M003A(1)E030         | 300                              | 10                       | 30                         | 2900                             | 3                   | 105                    |
| 3             | 1500              | X/7343-43               | T530X158M003A(1)E008         | 450                              | 8                        | 8                          | 5800                             | 3                   | 125                    |
| 4             | 15                | T/3528-12               | T520T156M004A(1)E100         | 6                                | 8                        | 100                        | 1000                             | 3                   | 105                    |
| 4             | 33                | A/3216-18               | T520A336M004A(1)E070         | 13.2                             | 8                        | 70                         | 1300                             | 3                   | 105                    |
| 4             | 33                | A/3216-18               | T520A336M004A(1)E080         | 13.2                             | 8                        | 80                         | 1200                             | 3                   | 105                    |
| 4             | 47                | A/3216-18               | T520A476M004A(1)E070         | 18.8                             | 8                        | 70                         | 1300                             | 3                   | 105                    |
| 4             | 47                | A/3216-18               | T520A476M004A(1)E080         | 18.8                             | 8                        | 80                         | 1200                             | 3                   | 105                    |
| 4             | 47                | T/3528-12               | T520T476M004A(1)E070         | 18.8                             | 8                        | 70                         | 1200                             | 3                   | 105                    |
| 4             | 68                | A/3216-18               | T520A686M004A(1)E180         | 27                               | 8                        | 180                        | 800                              | 3                   | 105                    |
| 4             | 68                | T/3528-12               | T520T686M004A(1)E070         | 27.2                             | 8                        | 70                         | 1200                             | 3                   | 105                    |
| 4             | 68                | B/3528-21               | T520B686M004A(1)E025         | 27.2                             | 8                        | 25                         | 2300                             | 3                   | 105                    |
| 4             | 68                | B/3528-21               | T520B686M004A(1)E035         | 27.2                             | 8                        | 35                         | 1900                             | 3                   | 105                    |
| 4             | 68                | B/3528-21               | T520B686M004A(1)E040         | 27.2                             | 8                        | 40                         | 1800                             | 3                   | 105                    |
| 4             | 68                | B/3528-21               | T520B686M004A(1)E070         | 27.2                             | 8                        | 70                         | 1300                             | 3                   | 105                    |
| 4             | 68                | B/3528-21               | T525B686M004A(1)E080         | 27.2                             | 8                        | 80                         | 1300                             | 3                   | 125                    |
| 4             | 68                | U/6032-15               | T520U686M004A(1)E055         | 27.2                             | 8                        | 55                         | 1600                             | 3                   | 105                    |
| 4             | 100               | I/3216-10               | T527I107M004ATE200           | 40                               | 8                        | 200                        | 775                              | 3                   | 105                    |
| 4             | 100               | A/3216-18               | T520A107M004A(1)E150         | 40                               | 8                        | 150                        | 900                              | 3                   | 105                    |
| 4             | 100               | A/3216-18               | T520A107M004A(1)E200         | 40                               | 8                        | 200                        | 700                              | 3                   | 105                    |
| 4             | 100               | T/3528-12               | T520T107M004A(1)E070         | 40                               | 8                        | 70                         | 1200                             | 3                   | 105                    |
| 4             | 100               | T/3528-12               | T520T107M004A(1)E150         | 40                               | 8                        | 150                        | 800                              | 3                   | 105                    |
| 4             | 100               | B/3528-21               | T520B107M004A(1)E025         | 40                               | 8                        | 25                         | 2300                             | 3                   | 105                    |
| 4             | 100               | B/3528-21               | T520B107M004A(1)E035         | 40                               | 8                        | 35                         | 1900                             | 3                   | 105                    |
| 4             | 100               | B/3528-21               | T520B107M004A(1)E040         | 40                               | 8                        | 40                         | 1800                             | 3                   | 105                    |
| 4             | 100               | B/3528-21               | T520B107M004A(1)E070         | 40                               | 8                        | 70                         | 1300                             | 3                   | 105                    |
| 4             | 100               | B/3528-21               | T525B107M004A(1)E080         | 40                               | 8                        | 80                         | 1300                             | 3                   | 125                    |
| 4             | 100               | U/6032-15               | T520U107M004A(1)E055         | 40                               | 8                        | 55                         | 1600                             | 3                   | 105                    |
| 4             | 150               | B/3528-21               | T520B157M004A(1)E015         | 60                               | 8                        | 15                         | 2900                             | 3                   | 105                    |
| 4             | 150               | B/3528-21               | T520B157M004A(1)E018         | 60                               | 8                        | 18                         | 2700                             | 3                   | 105                    |
| 4             | 150               | B/3528-21               | T520B157M004A(1)E025         | 60                               | 8                        | 25                         | 2300                             | 3                   | 105                    |
| 4             | 150               | B/3528-21               | T520B157M004A(1)E030         | 60                               | 8                        | 30                         | 2100                             | 3                   | 105                    |
| 4             | 150               | B/3528-21               | T520B157M004A(1)E035         | 60                               | 8                        | 35                         | 1900                             | 3                   | 105                    |
| 4             | 150               | B/3528-21               | T520B157M004A(1)E040         | 60                               | 8                        | 40                         | 1800                             | 3                   | 105                    |
| 4             | 150               | B/3528-21               | T520B157M004A(1)E070         | 60                               | 8                        | 70                         | 1300                             | 3                   | 105                    |
| 4             | 150               | U/6032-15               | T520U157M004A(1)E055         | 60                               | 8                        | 55                         | 1600                             | 3                   | 105                    |
| 4             | 150               | C/6032-28               | T520C157M004A(1)E015         | 60                               | 8                        | 15                         | 3300                             | 3                   | 105                    |
| 4             | 150               | C/6032-28               | T520C157M004A(1)E025         | 60                               | 8                        | 25                         | 2600                             | 3                   | 105                    |
| 4             | 150               | C/6032-28               | T520C157M004A(1)E045         | 60                               | 8                        | 45                         | 1900                             | 3                   | 105                    |
| VDC at 105°C  | µF                | KEMET/EIA               | (See below for part options) | µA at 25°C Maximum/<br>5 Minutes | % at 25°C 120 Hz Maximum | mΩ at 25°C 100 kHz Maximum | mA at +45°C 100 kHz              | Reflow Temp ≤ 260°C | °C                     |
| Rated Voltage | Rated Capacitance | Case Code/<br>Case Size | KEMET Part Number            | DC Leakage                       | DF                       | ESR                        | Maximum Allowable Ripple Current | MSL                 | Maximum Operating Temp |

(1) To complete KEMET part number, insert T = 100% Matte Tin (Sn) Plated, H = Standard Solder coated (SnPb 5% Pb minimum), N = Non-Magnetic 100% Tin (Sn), M = Non-Magnetic (SnPb). Refer to Ordering Information for additional detail.

(2) To complete KEMET part number, insert M for ± 20% or K for ± 10%. Designates Capacitance tolerance.

Higher voltage ratings and tighter ESR may be substituted within the same size at KEMET's option. Voltage substitutions will be marked with the higher voltage rating. Substitutions can include better than series.

Part numbers marked in blue font are not recommended for new designs. Please use the T521 series instead.

Part numbers marked in orange font are not recommended for new designs. Please contact your KEMET representative for a replacement part.

^ Denotes the large reel (13") is not available.

Refer to Ordering Information for additional detail.

**Table 1 – Ratings & Part Number Reference cont'd**

| Rated Voltage | Rated Capacitance | Case Code/<br>Case Size | KEMET Part Number            | DC Leakage                    | DF                       | ESR                        | Maximum Allowable Ripple Current | MSL                 | Maximum Operating Temp |
|---------------|-------------------|-------------------------|------------------------------|-------------------------------|--------------------------|----------------------------|----------------------------------|---------------------|------------------------|
| VDC at 105°C  | µF                | KEMET/EIA               | (See below for part options) | µA at 25°C Maximum/ 5 Minutes | % at 25°C 120 Hz Maximum | mΩ at 25°C 100 kHz Maximum | mA at +45°C 100 kHz              | Reflow Temp ≤ 260°C | °C                     |
| 4             | 150               | C/6032-28               | T520C157M004A(1)E100         | 60                            | 8                        | 100                        | 1300                             | 3                   | 105                    |
| 4             | 150               | V/7343-19               | T520V157M004A(1)E007         | 60                            | 10                       | 7                          | 5200                             | 3                   | 105                    |
| 4             | 150               | V/7343-19               | T520V157M004A(1)E009         | 60                            | 10                       | 9                          | 4600                             | 3                   | 105                    |
| 4             | 150               | V/7343-19               | T520V157M004A(1)E012         | 60                            | 10                       | 12                         | 3900                             | 3                   | 105                    |
| 4             | 150               | V/7343-19               | T520V157M004A(1)E015         | 60                            | 10                       | 15                         | 3500                             | 3                   | 105                    |
| 4             | 150               | V/7343-19               | T520V157M004A(1)E025         | 60                            | 10                       | 25                         | 2700                             | 3                   | 105                    |
| 4             | 150               | D/7343-31               | T520D157M004A(1)E007         | 60                            | 10                       | 7                          | 5700                             | 3                   | 105                    |
| 4             | 220               | B/3528-21               | T520B227M004A(1)E035         | 88                            | 8                        | 35                         | 1900                             | 3                   | 105                    |
| 4             | 220               | B/3528-21               | T520B227M004A(1)E045         | 88                            | 8                        | 45                         | 1700                             | 3                   | 105                    |
| 4             | 220               | B/3528-21               | T520B227M004A(1)E070         | 88                            | 8                        | 70                         | 1300                             | 3                   | 105                    |
| 4             | 220               | C/6032-28               | T520C227M004A(1)E015         | 88                            | 8                        | 15                         | 3300                             | 3                   | 105                    |
| 4             | 220               | C/6032-28               | T520C227M004A(1)E018         | 88                            | 8                        | 18                         | 3000                             | 3                   | 105                    |
| 4             | 220               | C/6032-28               | T520C227M004A(1)E025         | 88                            | 8                        | 25                         | 2600                             | 3                   | 105                    |
| 4             | 220               | C/6032-28               | T520C227M004A(1)E045         | 88                            | 8                        | 45                         | 1900                             | 3                   | 105                    |
| 4             | 220               | C/6032-28               | T520C227M004A(1)E055         | 88                            | 8                        | 55                         | 1700                             | 3                   | 105                    |
| 4             | 220               | L/6032-19               | T520L227M004A(1)E012         | 88                            | 8                        | 12                         | 3500                             | 3                   | 105                    |
| 4             | 220               | L/6032-19               | T520L227M004A(1)E025         | 88                            | 8                        | 25                         | 2400                             | 3                   | 105                    |
| 4             | 220               | W/7343-15               | T520W227M004A(1)E025         | 88                            | 10                       | 25                         | 2700                             | 3                   | 105                    |
| 4             | 220               | W/7343-15               | T520W227M004A(1)E040         | 88                            | 10                       | 40                         | 2100                             | 3                   | 105                    |
| 4             | 220               | V/7343-19               | T520V227M004A(1)E006         | 88                            | 10                       | 6                          | 5600                             | 3                   | 105                    |
| 4             | 220               | V/7343-19               | T520V227M004A(1)E007         | 88                            | 10                       | 7                          | 5200                             | 3                   | 105                    |
| 4             | 220               | V/7343-19               | T520V227M004A(1)E009         | 88                            | 10                       | 9                          | 4600                             | 3                   | 105                    |
| 4             | 220               | V/7343-19               | T520V227M004A(1)E012         | 88                            | 10                       | 12                         | 3900                             | 3                   | 105                    |
| 4             | 220               | V/7343-19               | T520V227M004A(1)E015         | 88                            | 10                       | 15                         | 3500                             | 3                   | 105                    |
| 4             | 220               | V/7343-19               | T520V227M004A(1)E018         | 88                            | 10                       | 18                         | 3200                             | 3                   | 105                    |
| 4             | 220               | V/7343-19               | T520V227M004A(1)E025         | 88                            | 10                       | 25                         | 2700                             | 3                   | 105                    |
| 4             | 220               | V/7343-19               | T520V227M004A(1)E040         | 88                            | 10                       | 40                         | 2200                             | 3                   | 105                    |
| 4             | 220               | V/7343-19               | T520V227M004A(1)E045         | 88                            | 10                       | 45                         | 2000                             | 3                   | 105                    |
| 4             | 220               | D/7343-31               | T520D227M004A(1)E006         | 88                            | 10                       | 6                          | 6100                             | 3                   | 105                    |
| 4             | 220               | D/7343-31               | T520D227M004A(1)E007         | 88                            | 10                       | 7                          | 5700                             | 3                   | 105                    |
| 4             | 220               | D/7343-31               | T520D227M004A(1)E012         | 88                            | 10                       | 12                         | 4300                             | 3                   | 105                    |
| 4             | 220               | D/7343-31               | T525D227M004A(1)E025         | 88                            | 10                       | 25                         | 3000                             | 3                   | 125                    |
| 4             | 220               | D/7343-31               | T520D227M004A(1)E065         | 88                            | 10                       | 65                         | 1900                             | 3                   | 105                    |
| 4             | 330               | C/6032-28               | T520C337M004A(1)E025         | 132                           | 8                        | 25                         | 2600                             | 3                   | 105                    |
| 4             | 330               | C/6032-28               | T520C337M004A(1)E045         | 132                           | 8                        | 45                         | 1900                             | 3                   | 105                    |
| 4             | 330               | V/7343-19               | T520V337M004A(1)E007         | 132                           | 10                       | 7                          | 5200                             | 3                   | 105                    |
| 4             | 330               | V/7343-19               | T520V337M004A(1)E009         | 132                           | 10                       | 9                          | 4600                             | 3                   | 105                    |
| 4             | 330               | V/7343-19               | T520V337M004A(1)E012         | 132                           | 10                       | 12                         | 3900                             | 3                   | 105                    |
| 4             | 330               | V/7343-19               | T520V337M004A(1)E018         | 132                           | 10                       | 18                         | 3200                             | 3                   | 105                    |
| 4             | 330               | V/7343-19               | T520V337M004A(1)E025         | 132                           | 10                       | 25                         | 2700                             | 3                   | 105                    |
| 4             | 330               | V/7343-19               | T520V337M004A(1)E040         | 132                           | 10                       | 40                         | 2200                             | 3                   | 105                    |
| 4             | 330               | D/7343-31               | T530D337M004A(1)E005         | 132                           | 8                        | 5                          | 7100                             | 3                   | 125                    |
| 4             | 330               | D/7343-31               | T520D337M004A(1)E006         | 132                           | 10                       | 6                          | 6100                             | 3                   | 105                    |
| VDC at 105°C  | µF                | KEMET/EIA               | (See below for part options) | µA at 25°C Maximum/ 5 Minutes | % at 25°C 120 Hz Maximum | mΩ at 25°C 100 kHz Maximum | mA at +45°C 100 kHz              | Reflow Temp ≤ 260°C | °C                     |
| Rated Voltage | Rated Capacitance | Case Code/<br>Case Size | KEMET Part Number            | DC Leakage                    | DF                       | ESR                        | Maximum Allowable Ripple Current | MSL                 | Maximum Operating Temp |

(1) To complete KEMET part number, insert T = 100% Matte Tin (Sn) Plated, H = Standard Solder coated (SnPb 5% Pb minimum), N = Non-Magnetic 100% Tin (Sn), M = Non-Magnetic (SnPb). Refer to Ordering Information for additional detail.

(2) To complete KEMET part number, insert M for ± 20% or K for ± 10%. Designates Capacitance tolerance.

Higher voltage ratings and tighter ESR may be substituted within the same size at KEMET's option. Voltage substitutions will be marked with the higher voltage rating. Substitutions can include better than series.

**Part numbers marked in blue font are not recommended for new designs. Please use the T521 series instead.**

**Part numbers marked in orange font are not recommended for new designs. Please contact your KEMET representative for a replacement part.**

^ Denotes the large reel (13") is not available.

Refer to Ordering Information for additional detail.

**Table 1 – Ratings & Part Number Reference cont'd**

| Rated Voltage | Rated Capacitance | Case Code/<br>Case Size | KEMET Part Number            | DC Leakage                       | DF                       | ESR                        | Maximum Allowable Ripple Current | MSL                 | Maximum Operating Temp |
|---------------|-------------------|-------------------------|------------------------------|----------------------------------|--------------------------|----------------------------|----------------------------------|---------------------|------------------------|
| VDC at 105°C  | µF                | KEMET/EIA               | (See below for part options) | µA at 25°C Maximum/<br>5 Minutes | % at 25°C 120 Hz Maximum | mΩ at 25°C 100 kHz Maximum | mA at +45°C 100 kHz              | Reflow Temp ≤ 260°C | °C                     |
| 4             | 330               | D/7343-31               | T530D337M004A(1)E006         | 132                              | 8                        | 6                          | 6500                             | 3                   | 125                    |
| 4             | 330               | D/7343-31               | T520D337M004A(1)E007         | 132                              | 10                       | 7                          | 5700                             | 3                   | 105                    |
| 4             | 330               | D/7343-31               | T520D337M004A(1)E009         | 132                              | 10                       | 9                          | 5000                             | 3                   | 105                    |
| 4             | 330               | D/7343-31               | T520D337M004A(1)E012         | 132                              | 10                       | 12                         | 4300                             | 3                   | 105                    |
| 4             | 330               | D/7343-31               | T520D337M004A(1)E015         | 132                              | 10                       | 15                         | 3900                             | 3                   | 105                    |
| 4             | 330               | D/7343-31               | T525D337M004A(1)E025         | 132                              | 10                       | 25                         | 3000                             | 3                   | 125                    |
| 4             | 330               | D/7343-31               | T520D337M004A(1)E040         | 132                              | 10                       | 40                         | 2400                             | 3                   | 105                    |
| 4             | 330               | D/7343-31               | T520D337M004A(1)E045         | 132                              | 10                       | 45                         | 2200                             | 3                   | 105                    |
| 4             | 470               | D/7343-31               | T530D477M004A(1)E006         | 188                              | 8                        | 6                          | 6500                             | 3                   | 125                    |
| 4             | 470               | D/7343-31               | T520D477M004A(1)E010         | 188                              | 10                       | 10                         | 4700                             | 3                   | 105                    |
| 4             | 470               | D/7343-31               | T530D477M004A(1)E010         | 188                              | 8                        | 10                         | 5000                             | 3                   | 125                    |
| 4             | 470               | D/7343-31               | T520D477M004A(1)E012         | 188                              | 10                       | 12                         | 4300                             | 3                   | 105                    |
| 4             | 470               | D/7343-31               | T520D477M004A(1)E015         | 188                              | 10                       | 15                         | 3900                             | 3                   | 105                    |
| 4             | 470               | D/7343-31               | T520D477M004A(1)E018         | 188                              | 10                       | 18                         | 3500                             | 3                   | 105                    |
| 4             | 470               | D/7343-31               | T520D477M004A(1)E025         | 188                              | 10                       | 25                         | 3000                             | 3                   | 105                    |
| 4             | 470               | D/7343-31               | T525D477M004A(1)E025         | 188                              | 10                       | 25                         | 3000                             | 3                   | 125                    |
| 4             | 470               | D/7343-31               | T520D477M004A(1)E040         | 188                              | 10                       | 40                         | 2400                             | 3                   | 105                    |
| 4             | 470               | D/7343-31               | T525D477M004A(1)E040         | 188                              | 10                       | 40                         | 2400                             | 3                   | 125                    |
| 4             | 470               | Y/7343-40               | T530Y477M004A(1)E005         | 188                              | 8                        | 5                          | 7300                             | 3                   | 125                    |
| 4             | 470               | Y/7343-40               | T530Y477M004A(1)E006         | 188                              | 8                        | 6                          | 6600                             | 3                   | 125                    |
| 4             | 680               | D/7343-31               | T520D687M004A(1)E012         | 272                              | 10                       | 12                         | 4300                             | 3                   | 105                    |
| 4             | 680               | D/7343-31               | T520D687M004A(1)E015         | 272                              | 10                       | 15                         | 3900                             | 3                   | 105                    |
| 4             | 680               | D/7343-31               | T520D687M004A(1)E025         | 272                              | 10                       | 25                         | 3000                             | 3                   | 105                    |
| 4             | 680               | Y/7343-40               | T530Y687M004A(1)E005         | 272                              | 8                        | 5                          | 7300                             | 3                   | 125                    |
| 4             | 680               | Y/7343-40               | T520Y687M004A(1)E010         | 272                              | 10                       | 10                         | 4900                             | 3                   | 105                    |
| 4             | 680               | Y/7343-40               | T520Y687M004A(1)E015         | 272                              | 10                       | 15                         | 4000                             | 3                   | 105                    |
| 4             | 680               | Y/7343-40               | T520Y687M004A(1)E025         | 272                              | 10                       | 25                         | 3100                             | 3                   | 105                    |
| 4             | 680               | X/7343-43               | T530X687M004A(1)E004         | 272                              | 8                        | 4                          | 8200                             | 3                   | 125                    |
| 4             | 680               | X/7343-43               | T530X687M004A(1)E005         | 272                              | 8                        | 5                          | 7300                             | 3                   | 125                    |
| 4             | 680               | X/7343-43               | T530X687M004A(1)E006         | 272                              | 8                        | 6                          | 6700                             | 3                   | 125                    |
| 4             | 680               | X/7343-43               | T520X687M004A(1)E010         | 272                              | 10                       | 10                         | 5000                             | 3                   | 105                    |
| 4             | 680               | X/7343-43               | T530X687M004A(1)E010         | 272                              | 8                        | 10                         | 5200                             | 3                   | 125                    |
| 4             | 680               | X/7343-43               | T520X687M004A(1)E015         | 272                              | 10                       | 15                         | 4100                             | 3                   | 105                    |
| 4             | 680               | X/7343-43               | T520X687M004A(1)E035         | 272                              | 10                       | 35                         | 2700                             | 3                   | 105                    |
| 4             | 1000              | X/7343-43               | T530X108M004A(1)E006         | 400                              | 8                        | 6                          | 6700                             | 3                   | 125                    |
| 6.3           | 15                | T/3528-12               | T520T156M006A(1)E100         | 9.45                             | 8                        | 100                        | 1000                             | 3                   | 105                    |
| 6.3           | 10                | P/2012-10               | T529P106M006AAE200           | 18.9                             | 6                        | 200                        | 354                              | 3                   | 105                    |
| 6.3           | 22                | P/2012-10               | T529P226M006AAE150           | 22                               | 6                        | 150                        | 408                              | 3                   | 105                    |
| 6.3           | 22                | P/2012-10               | T529P226M006AAE200           | 22                               | 6                        | 200                        | 354                              | 3                   | 105                    |
| 6.3           | 22                | A/3216-18               | T520A226M006A(1)E090         | 13.86                            | 8                        | 90                         | 1100                             | 3                   | 105                    |
| 6.3           | 22                | A/3216-18               | T520A226M006A(1)E100         | 13.86                            | 8                        | 100                        | 1100                             | 3                   | 105                    |
| 6.3           | 22                | T/3528-12               | T520T226M006A(1)E100         | 13.86                            | 8                        | 100                        | 1000                             | 3                   | 105                    |
| 6.3           | 33                | A/3216-18               | T520A336M006A(1)E070         | 20.79                            | 8                        | 70                         | 1300                             | 3                   | 105                    |
| VDC at 105°C  | µF                | KEMET/EIA               | (See below for part options) | µA at 25°C Maximum/<br>5 Minutes | % at 25°C 120 Hz Maximum | mΩ at 25°C 100 kHz Maximum | mA at +45°C 100 kHz              | Reflow Temp ≤ 260°C | °C                     |
| Rated Voltage | Rated Capacitance | Case Code/<br>Case Size | KEMET Part Number            | DC Leakage                       | DF                       | ESR                        | Maximum Allowable Ripple Current | MSL                 | Maximum Operating Temp |

(1) To complete KEMET part number, insert T = 100% Matte Tin (Sn) Plated, H = Standard Solder coated (SnPb 5% Pb minimum), N = Non-Magnetic 100% Tin (Sn), M = Non-Magnetic (SnPb). Refer to Ordering Information for additional detail.

(2) To complete KEMET part number, insert M for ± 20% or K for ± 10%. Designates Capacitance tolerance.

Higher voltage ratings and tighter ESR may be substituted within the same size at KEMET's option. Voltage substitutions will be marked with the higher voltage rating. Substitutions can include better than series.

Part numbers marked in blue font are not recommended for new designs. Please use the T521 series instead.

Part numbers marked in orange font are not recommended for new designs. Please contact your KEMET representative for a replacement part.

^ Denotes the large reel (13") is not available.

Refer to Ordering Information for additional detail.

**Table 1 – Ratings & Part Number Reference cont'd**

| Rated Voltage | Rated Capacitance | Case Code/<br>Case Size | KEMET Part Number            | DC Leakage                       | DF                       | ESR                        | Maximum Allowable Ripple Current | MSL                 | Maximum Operating Temp |
|---------------|-------------------|-------------------------|------------------------------|----------------------------------|--------------------------|----------------------------|----------------------------------|---------------------|------------------------|
| VDC at 105°C  | µF                | KEMET/EIA               | (See below for part options) | µA at 25°C Maximum/<br>5 Minutes | % at 25°C 120 Hz Maximum | mΩ at 25°C 100 kHz Maximum | mA at +45°C 100 kHz              | Reflow Temp ≤ 260°C | °C                     |
| 6.3           | 33                | A/3216-18               | T520A336M006A(1)E080         | 20.79                            | 8                        | 80                         | 1200                             | 3                   | 105                    |
| 6.3           | 33                | A/3216-18               | T520A336M006A(1)E120         | 20.79                            | 8                        | 120                        | 1000                             | 3                   | 105                    |
| 6.3           | 33                | T/3528-12               | T520T336M006A(1)E070         | 20.79                            | 8                        | 70                         | 1200                             | 3                   | 105                    |
| 6.3           | 33                | B/3528-21               | T520B336M006A(1)E025         | 20.79                            | 8                        | 25                         | 2300                             | 3                   | 105                    |
| 6.3           | 33                | B/3528-21               | T520B336M006A(1)E035         | 20.79                            | 8                        | 35                         | 1900                             | 3                   | 105                    |
| 6.3           | 33                | B/3528-21               | T520B336M006A(1)E040         | 20.79                            | 8                        | 40                         | 1800                             | 3                   | 105                    |
| 6.3           | 33                | B/3528-21               | T520B336M006A(1)E070         | 20.79                            | 8                        | 70                         | 1300                             | 3                   | 105                    |
| 6.3           | 33                | B/3528-21               | T525B336M006A(1)E080         | 20.79                            | 8                        | 80                         | 1300                             | 3                   | 125                    |
| 6.3           | 33                | C/6032-28               | T520C336M006A(1)E100         | 20.79                            | 8                        | 100                        | 1300                             | 3                   | 105                    |
| 6.3           | 47                | P/2012-10               | T529P476M006AAE200           | 29.61                            | 6                        | 200                        | 354                              | 3                   | 105                    |
| 6.3           | 47                | P/2012-10               | T529P476M006AAE150           | 29.6                             | 6                        | 150                        | 408                              | 3                   | 105                    |
| 6.3           | 47                | I/3216-10               | T527I476M006ATE200           | 29.6                             | 6                        | 200                        | 548                              | 3                   | 105                    |
| 6.3           | 47                | A/3216-18               | T520A476M006A(1)E150         | 29.61                            | 8                        | 150                        | 900                              | 3                   | 105                    |
| 6.3           | 47                | T/3528-12               | T520T476M006A(1)E040         | 29.61                            | 8                        | 40                         | 1600                             | 3                   | 105                    |
| 6.3           | 47                | T/3528-12               | T520T476M006A(1)E070         | 29.61                            | 8                        | 70                         | 1200                             | 3                   | 105                    |
| 6.3           | 47                | T/3528-12               | T525T476M006A(1)E080         | 29.61                            | 8                        | 80                         | 1100                             | 3                   | 125                    |
| 6.3           | 47                | B/3528-21               | T520B476M006A(1)E025         | 29.61                            | 8                        | 25                         | 2300                             | 3                   | 105                    |
| 6.3           | 47                | B/3528-21               | T520B476M006A(1)E035         | 29.61                            | 8                        | 35                         | 1900                             | 3                   | 105                    |
| 6.3           | 47                | B/3528-21               | T520B476M006A(1)E040         | 29.61                            | 8                        | 40                         | 1800                             | 3                   | 105                    |
| 6.3           | 47                | B/3528-21               | T520B476M006A(1)E070         | 29.61                            | 8                        | 70                         | 1300                             | 3                   | 105                    |
| 6.3           | 47                | B/3528-21               | T525B476M006A(1)E070         | 29.61                            | 8                        | 70                         | 1300                             | 3                   | 125                    |
| 6.3           | 47                | B/3528-21               | T525B476M006A(1)E080         | 29.61                            | 8                        | 80                         | 1300                             | 3                   | 125                    |
| 6.3           | 68                | A/3216-18               | T520A686M006A(1)E150         | 42.84                            | 8                        | 150                        | 900                              | 3                   | 105                    |
| 6.3           | 68                | T/3528-12               | T520T686M006A(1)E070         | 42.84                            | 8                        | 70                         | 1200                             | 3                   | 105                    |
| 6.3           | 68                | T/3528-12               | T520T686M006A(1)E150         | 42.84                            | 8                        | 150                        | 800                              | 3                   | 105                    |
| 6.3           | 68                | B/3528-21               | T520B686M006A(1)E025         | 42.84                            | 8                        | 25                         | 2300                             | 3                   | 105                    |
| 6.3           | 68                | B/3528-21               | T520B686M006A(1)E035         | 42.84                            | 8                        | 35                         | 1900                             | 3                   | 105                    |
| 6.3           | 68                | B/3528-21               | T520B686M006A(1)E040         | 42.84                            | 8                        | 40                         | 1800                             | 3                   | 105                    |
| 6.3           | 68                | B/3528-21               | T520B686M006A(1)E070         | 42.84                            | 8                        | 70                         | 1300                             | 3                   | 105                    |
| 6.3           | 68                | B/3528-21               | T525B686M006A(1)E080         | 42.84                            | 8                        | 80                         | 1300                             | 3                   | 125                    |
| 6.3           | 68                | U/6032-15               | T520U686M006A(1)E055         | 42.84                            | 8                        | 55                         | 1600                             | 3                   | 105                    |
| 6.3           | 68                | U/6032-15               | T520U686M006A(1)E070         | 42.84                            | 8                        | 70                         | 1400                             | 3                   | 105                    |
| 6.3           | 68                | C/6032-28               | T520C686M006A(1)E100         | 42.84                            | 8                        | 100                        | 1300                             | 3                   | 105                    |
| 6.3           | 100               | I/3216-10               | T527I107M006ATE200           | 63.0                             | 8                        | 200                        | 775                              | 3                   | 105                    |
| 6.3           | 100               | I/3216-10               | T527I107M006ATE100           | 63.0                             | 8                        | 100                        | 775                              | 3                   | 105                    |
| 6.3           | 100               | I/3216-10               | T527I107M006ATE070           | 63.0                             | 8                        | 70                         | 1134                             | 3                   | 105                    |
| 6.3           | 100               | A/3216-18               | T520A107M006ATE070           | 63                               | 8                        | 70                         | 1035                             | 3                   | 105                    |
| 6.3           | 100               | A/3216-18               | T520A107M006ATE045           | 63                               | 8                        | 45                         | 1600                             | 3                   | 105                    |
| 6.3           | 100               | A/3216-18               | T520A107M006ATE035           | 63                               | 8                        | 35                         | 1500                             | 3                   | 105                    |
| 6.3           | 100               | A/3216-18               | T520A107M006ATE025           | 63                               | 8                        | 25                         | 1732                             | 3                   | 105                    |
| 6.3           | 100               | T/3528-12               | T520T107M006APE070           | 63                               | 8                        | 70                         | 1200                             | 3                   | 105                    |
| 6.3           | 100               | T/3528-12               | T520T107M006APE055           | 63                               | 8                        | 55                         | 1200                             | 3                   | 105                    |
| 6.3           | 100               | B/3528-21               | T520B107M006A(1)E015         | 63                               | 8                        | 15                         | 2900                             | 3                   | 105                    |
| VDC at 105°C  | µF                | KEMET/EIA               | (See below for part options) | µA at 25°C Maximum/<br>5 Minutes | % at 25°C 120 Hz Maximum | mΩ at 25°C 100 kHz Maximum | mA at +45°C 100 kHz              | Reflow Temp ≤ 260°C | °C                     |
| Rated Voltage | Rated Capacitance | Case Code/<br>Case Size | KEMET Part Number            | DC Leakage                       | DF                       | ESR                        | Maximum Allowable Ripple Current | MSL                 | Maximum Operating Temp |

(1) To complete KEMET part number, insert T = 100% Matte Tin (Sn) Plated, H = Standard Solder coated (SnPb 5% Pb minimum), N = Non-Magnetic 100% Tin (Sn), M = Non-Magnetic (SnPb). Refer to Ordering Information for additional detail.

(2) To complete KEMET part number, insert M for ± 20% or K for ± 10%. Designates Capacitance tolerance.

Higher voltage ratings and tighter ESR may be substituted within the same size at KEMET's option. Voltage substitutions will be marked with the higher voltage rating. Substitutions can include better than series.

Part numbers marked in blue font are not recommended for new designs. Please use the T521 series instead.

Part numbers marked in orange font are not recommended for new designs. Please contact your KEMET representative for a replacement part.

^ Denotes the large reel (13") is not available.

Refer to Ordering Information for additional detail.

**Table 1 – Ratings & Part Number Reference cont'd**

| Rated Voltage | Rated Capacitance | Case Code/<br>Case Size | KEMET Part Number            | DC Leakage                       | DF                       | ESR                        | Maximum Allowable Ripple Current | MSL                 | Maximum Operating Temp |
|---------------|-------------------|-------------------------|------------------------------|----------------------------------|--------------------------|----------------------------|----------------------------------|---------------------|------------------------|
| VDC at 105°C  | µF                | KEMET/EIA               | (See below for part options) | µA at 25°C Maximum/<br>5 Minutes | % at 25°C 120 Hz Maximum | mΩ at 25°C 100 kHz Maximum | mA at +45°C 100 kHz              | Reflow Temp ≤ 260°C | °C                     |
| 6.3           | 100               | B/3528-21               | T520B107M006A(1)E018         | 63                               | 8                        | 18                         | 2700                             | 3                   | 105                    |
| 6.3           | 100               | B/3528-21               | T520B107M006A(1)E025         | 63                               | 8                        | 25                         | 2300                             | 3                   | 105                    |
| 6.3           | 100               | B/3528-21               | T520B107M006A(1)E035         | 63                               | 8                        | 35                         | 1900                             | 3                   | 105                    |
| 6.3           | 100               | B/3528-21               | T520B107M006A(1)E040         | 63                               | 8                        | 40                         | 1800                             | 3                   | 105                    |
| 6.3           | 100               | B/3528-21               | T520B107M006A(1)E045         | 63                               | 8                        | 45                         | 1700                             | 3                   | 105                    |
| 6.3           | 100               | B/3528-21               | T520B107M006A(1)E070         | 63                               | 8                        | 70                         | 1300                             | 3                   | 105                    |
| 6.3           | 100               | U/6032-15               | T520U107M006A(1)E055         | 63                               | 8                        | 55                         | 1600                             | 3                   | 105                    |
| 6.3           | 100               | W/7343-15               | T520W107M006A(1)E040         | 63                               | 10                       | 40                         | 2100                             | 3                   | 105                    |
| 6.3           | 100               | V/7343-19               | T520V107M006A(1)E009         | 63                               | 10                       | 9                          | 4600                             | 3                   | 105                    |
| 6.3           | 100               | V/7343-19               | T520V107M006A(1)E012         | 63                               | 10                       | 12                         | 3900                             | 3                   | 105                    |
| 6.3           | 100               | V/7343-19               | T520V107M006A(1)E015         | 63                               | 10                       | 15                         | 3500                             | 3                   | 105                    |
| 6.3           | 100               | V/7343-19               | T520V107M006A(1)E045         | 63                               | 10                       | 45                         | 2000                             | 3                   | 105                    |
| 6.3           | 100               | C/6032-28               | T520C107M006A(1)E025         | 63                               | 8                        | 25                         | 2600                             | 3                   | 105                    |
| 6.3           | 100               | C/6032-28               | T520C107M006A(1)E045         | 63                               | 8                        | 45                         | 1900                             | 3                   | 105                    |
| 6.3           | 120               | B/3528-21               | T520B127M006A(1)E035         | 75.6                             | 8                        | 35                         | 1900                             | 3                   | 105                    |
| 6.3           | 150               | I/3216-10               | T529I157M006AAE200           | 283.5                            | 10                       | 200                        | 548                              | 3                   | 105                    |
| 6.3           | 150               | M/3528-15               | T520M157M006A(1)E035         | 94.5                             | 8                        | 35                         | 1900                             | 3                   | 105                    |
| 6.3           | 150               | M/3528-15               | T520M157M006A(1)E070         | 94.5                             | 8                        | 70                         | 1300                             | 3                   | 105                    |
| 6.3           | 150               | M/3528-15               | T520M157M006A(1)E150         | 94.5                             | 8                        | 150                        | 900                              | 3                   | 105                    |
| 6.3           | 150               | M/3528-15               | T520M157M006A(1)E200         | 94.5                             | 8                        | 200                        | 800                              | 3                   | 105                    |
| 6.3           | 150               | B/3528-21               | T520B157M006A(1)E025         | 94.5                             | 8                        | 25                         | 2300                             | 3                   | 105                    |
| 6.3           | 150               | B/3528-21               | T520B157M006A(1)E035         | 94.5                             | 8                        | 35                         | 1900                             | 3                   | 105                    |
| 6.3           | 150               | B/3528-21               | T520B157M006A(1)E045         | 94.5                             | 8                        | 45                         | 1700                             | 3                   | 105                    |
| 6.3           | 150               | B/3528-21               | T520B157M006A(1)E070         | 94.5                             | 8                        | 70                         | 1300                             | 3                   | 105                    |
| 6.3           | 150               | T/3528-12               | T523T157M006APE030           | 94.5                             | 8                        | 30                         | 1870                             | 3                   | 105                    |
| 6.3           | 150               | T/3528-12               | T520T157M006A(1)E035         | 94.5                             | 8                        | 35                         | 1700                             | 3                   | 105                    |
| 6.3           | 150               | C/6032-28               | T520C157M006A(1)E015         | 94.5                             | 8                        | 15                         | 3300                             | 3                   | 105                    |
| 6.3           | 150               | C/6032-28               | T520C157M006A(1)E025         | 94.5                             | 8                        | 25                         | 2600                             | 3                   | 105                    |
| 6.3           | 150               | C/6032-28               | T520C157M006A(1)E045         | 94.5                             | 8                        | 45                         | 1900                             | 3                   | 105                    |
| 6.3           | 150               | C/6032-28               | T520C157M006A(1)E055         | 94.5                             | 8                        | 55                         | 1700                             | 3                   | 105                    |
| 6.3           | 150               | U/6032-15               | T520U157M006A(1)E045         | 94.5                             | 8                        | 45                         | 1700                             | 3                   | 105                    |
| 6.3           | 150               | U/6032-15               | T520U157M006A(1)E055         | 94.5                             | 8                        | 55                         | 1600                             | 3                   | 105                    |
| 6.3           | 150               | L/6032-19               | T520L157M006A(1)E012         | 94.5                             | 8                        | 12                         | 3500                             | 3                   | 105                    |
| 6.3           | 150               | L/6032-19               | T520L157M006A(1)E025         | 94.5                             | 8                        | 25                         | 2400                             | 3                   | 105                    |
| 6.3           | 150               | W/7343-15               | T520W157M006A(1)E025         | 94.5                             | 10                       | 25                         | 2700                             | 3                   | 105                    |
| 6.3           | 150               | W/7343-15               | T520W157M006A(1)E040         | 94.5                             | 10                       | 40                         | 2100                             | 3                   | 105                    |
| 6.3           | 150               | V/7343-19               | T520V157M006A(1)E006         | 94.5                             | 10                       | 6                          | 5600                             | 3                   | 105                    |
| 6.3           | 150               | V/7343-19               | T520V157M006A(1)E007         | 94.5                             | 10                       | 7                          | 5200                             | 3                   | 105                    |
| 6.3           | 150               | V/7343-19               | T520V157M006A(1)E009         | 94.5                             | 10                       | 9                          | 4600                             | 3                   | 105                    |
| 6.3           | 150               | V/7343-19               | T520V157M006A(1)E012         | 94.5                             | 10                       | 12                         | 3900                             | 3                   | 105                    |
| 6.3           | 150               | V/7343-19               | T520V157M006A(1)E015         | 94.5                             | 10                       | 15                         | 3500                             | 3                   | 105                    |
| 6.3           | 150               | V/7343-19               | T520V157M006A(1)E018         | 94.5                             | 10                       | 18                         | 3200                             | 3                   | 105                    |
| 6.3           | 150               | V/7343-19               | T520V157M006A(1)E025         | 94.5                             | 10                       | 25                         | 2700                             | 3                   | 105                    |
| VDC at 105°C  | µF                | KEMET/EIA               | (See below for part options) | µA at 25°C Maximum/<br>5 Minutes | % at 25°C 120 Hz Maximum | mΩ at 25°C 100 kHz Maximum | mA at +45°C 100 kHz              | Reflow Temp ≤ 260°C | °C                     |
| Rated Voltage | Rated Capacitance | Case Code/<br>Case Size | KEMET Part Number            | DC Leakage                       | DF                       | ESR                        | Maximum Allowable Ripple Current | MSL                 | Maximum Operating Temp |

(1) To complete KEMET part number, insert T = 100% Matte Tin (Sn) Plated, H = Standard Solder coated (SnPb 5% Pb minimum), N = Non-Magnetic 100% Tin (Sn), M = Non-Magnetic (SnPb). Refer to Ordering Information for additional detail.

(2) To complete KEMET part number, insert M for ± 20% or K for ± 10%. Designates Capacitance tolerance.

Higher voltage ratings and tighter ESR may be substituted within the same size at KEMET's option. Voltage substitutions will be marked with the higher voltage rating. Substitutions can include better than series.

**Part numbers marked in blue font are not recommended for new designs. Please use the T521 series instead.**

**Part numbers marked in orange font are not recommended for new designs. Please contact your KEMET representative for a replacement part.**

^ Denotes the large reel (13") is not available.

Refer to Ordering Information for additional detail.

**Table 1 – Ratings & Part Number Reference cont'd**

| Rated Voltage | Rated Capacitance | Case Code/<br>Case Size | KEMET Part Number            | DC Leakage                       | DF                       | ESR                        | Maximum Allowable Ripple Current | MSL                 | Maximum Operating Temp |
|---------------|-------------------|-------------------------|------------------------------|----------------------------------|--------------------------|----------------------------|----------------------------------|---------------------|------------------------|
| VDC at 105°C  | µF                | KEMET/EIA               | (See below for part options) | µA at 25°C Maximum/<br>5 Minutes | % at 25°C 120 Hz Maximum | mΩ at 25°C 100 kHz Maximum | mA at +45°C 100 kHz              | Reflow Temp ≤ 260°C | °C                     |
| 6.3           | 150               | V/7343-19               | T520V157M006A(1)E040         | 94.5                             | 10                       | 40                         | 2200                             | 3                   | 105                    |
| 6.3           | 150               | V/7343-19               | T520V157M006A(1)E045         | 94.5                             | 10                       | 45                         | 2000                             | 3                   | 105                    |
| 6.3           | 150               | D/7343-31               | T520D157M006A(1)E006         | 94.5                             | 10                       | 6                          | 6100                             | 3                   | 105                    |
| 6.3           | 150               | D/7343-31               | T520D157M006A(1)E007         | 94.5                             | 10                       | 7                          | 5700                             | 3                   | 105                    |
| 6.3           | 150               | D/7343-31               | T520D157M006A(1)E015         | 94.5                             | 10                       | 15                         | 3900                             | 3                   | 105                    |
| 6.3           | 150               | D/7343-31               | T520D157M006A(1)E025         | 94.5                             | 10                       | 25                         | 3000                             | 3                   | 105                    |
| 6.3           | 150               | D/7343-31               | T525D157M006A(1)E025         | 94.5                             | 10                       | 25                         | 3000                             | 3                   | 125                    |
| 6.3           | 150               | D/7343-31               | T520D157M006A(1)E055         | 94.5                             | 10                       | 55                         | 2000                             | 3                   | 105                    |
| 6.3           | 220               | B/3528-21               | T520B227M006A(1)E025         | 138.6                            | 8                        | 25                         | 2300                             | 3                   | 105                    |
| 6.3           | 220               | B/3528-21               | T520B227M006A(1)E035         | 138.6                            | 8                        | 35                         | 1900                             | 3                   | 105                    |
| 6.3           | 220               | B/3528-21               | T520B227M006A(1)E045         | 138.6                            | 8                        | 45                         | 1700                             | 3                   | 105                    |
| 6.3           | 220               | B/3528-21               | T520B227M006A(1)E070         | 138.6                            | 8                        | 70                         | 1300                             | 3                   | 105                    |
| 6.3           | 220               | C/6032-28               | T520C227M006A(1)E015         | 138.6                            | 8                        | 15                         | 3300                             | 3                   | 105                    |
| 6.3           | 220               | C/6032-28               | T520C227M006A(1)E018         | 138.6                            | 8                        | 18                         | 3000                             | 3                   | 105                    |
| 6.3           | 220               | C/6032-28               | T520C227M006A(1)E025         | 138.6                            | 8                        | 25                         | 2600                             | 3                   | 105                    |
| 6.3           | 220               | C/6032-28               | T520C227M006A(1)E045         | 138.6                            | 8                        | 45                         | 1900                             | 3                   | 105                    |
| 6.3           | 220               | V/7343-19               | T520V227M006A(1)E007         | 138.6                            | 10                       | 7                          | 5200                             | 3                   | 105                    |
| 6.3           | 220               | V/7343-19               | T520V227M006A(1)E009         | 138.6                            | 10                       | 9                          | 4600                             | 3                   | 105                    |
| 6.3           | 220               | V/7343-19               | T520V227M006A(1)E012         | 138.6                            | 10                       | 12                         | 3900                             | 3                   | 105                    |
| 6.3           | 220               | V/7343-19               | T520V227M006A(1)E015         | 138.6                            | 10                       | 15                         | 3500                             | 3                   | 105                    |
| 6.3           | 220               | V/7343-19               | T520V227M006A(1)E018         | 138.6                            | 10                       | 18                         | 3200                             | 3                   | 105                    |
| 6.3           | 220               | V/7343-19               | T520V227M006A(1)E025         | 138.6                            | 10                       | 25                         | 2700                             | 3                   | 105                    |
| 6.3           | 220               | V/7343-19               | T520V227M006A(1)E040         | 138.6                            | 10                       | 40                         | 2200                             | 3                   | 105                    |
| 6.3           | 220               | D/7343-31               | T530D227M006A(1)E005         | 138.6                            | 8                        | 5                          | 7100                             | 3                   | 125                    |
| 6.3           | 220               | D/7343-31               | T520D227M006A(1)E006         | 138.6                            | 10                       | 6                          | 6100                             | 3                   | 105                    |
| 6.3           | 220               | D/7343-31               | T530D227M006A(1)E006         | 138.6                            | 8                        | 6                          | 6500                             | 3                   | 125                    |
| 6.3           | 220               | D/7343-31               | T520D227M006A(1)E007         | 138.6                            | 10                       | 7                          | 5700                             | 3                   | 105                    |
| 6.3           | 220               | D/7343-31               | T520D227M006A(1)E009         | 138.6                            | 10                       | 9                          | 5000                             | 3                   | 105                    |
| 6.3           | 220               | D/7343-31               | T520D227M006A(1)E015         | 138.6                            | 10                       | 15                         | 3900                             | 3                   | 105                    |
| 6.3           | 220               | D/7343-31               | T520D227M006A(1)E018         | 138.6                            | 10                       | 18                         | 3500                             | 3                   | 105                    |
| 6.3           | 220               | D/7343-31               | T520D227M006A(1)E025         | 138.6                            | 10                       | 25                         | 3000                             | 3                   | 105                    |
| 6.3           | 220               | D/7343-31               | T525D227M006A(1)E025         | 138.6                            | 10                       | 25                         | 3000                             | 3                   | 125                    |
| 6.3           | 220               | D/7343-31               | T520D227M006A(1)E040         | 138.6                            | 10                       | 40                         | 2400                             | 3                   | 105                    |
| 6.3           | 220               | D/7343-31               | T520D227M006A(1)E050         | 138.6                            | 10                       | 50                         | 2100                             | 3                   | 105                    |
| 6.3           | 330               | B/3528-21               | T520B337M006A(1)E040         | 207.9                            | 8                        | 40                         | 1800                             | 3                   | 85                     |
| 6.3           | 330               | B/3528-21               | T520B337M006A(1)E070         | 208                              | 8                        | 70                         | 1300                             | 3                   | 85                     |
| 6.3           | 330               | V/7343-19               | T520V337M006A(1)E015         | 207.9                            | 10                       | 15                         | 3500                             | 3                   | 105                    |
| 6.3           | 330               | V/7343-19               | T520V337M006A(1)E018         | 207.9                            | 10                       | 18                         | 3200                             | 3                   | 105                    |
| 6.3           | 330               | V/7343-19               | T520V337M006A(1)E025         | 207.9                            | 10                       | 25                         | 2700                             | 3                   | 105                    |
| 6.3           | 330               | V/7343-19               | T520V337M006A(1)E040         | 207.9                            | 10                       | 40                         | 2200                             | 3                   | 105                    |
| 6.3           | 330               | V/7343-19               | T520V337M006A(1)E045         | 207.9                            | 10                       | 45                         | 2000                             | 3                   | 105                    |
| 6.3           | 330               | D/7343-31               | T530D337M006A(1)E006         | 207.9                            | 8                        | 6                          | 6500                             | 3                   | 125                    |
| 6.3           | 330               | D/7343-31               | T520D337M006A(1)E009         | 207.9                            | 10                       | 9                          | 5000                             | 3                   | 105                    |
| VDC at 105°C  | µF                | KEMET/EIA               | (See below for part options) | µA at 25°C Maximum/<br>5 Minutes | % at 25°C 120 Hz Maximum | mΩ at 25°C 100 kHz Maximum | mA at +45°C 100 kHz              | Reflow Temp ≤ 260°C | °C                     |
| Rated Voltage | Rated Capacitance | Case Code/<br>Case Size | KEMET Part Number            | DC Leakage                       | DF                       | ESR                        | Maximum Allowable Ripple Current | MSL                 | Maximum Operating Temp |

(1) To complete KEMET part number, insert T = 100% Matte Tin (Sn) Plated, H = Standard Solder coated (SnPb 5% Pb minimum), N = Non-Magnetic 100% Tin (Sn), M = Non-Magnetic (SnPb). Refer to Ordering Information for additional detail.

(2) To complete KEMET part number, insert M for ± 20% or K for ± 10%. Designates Capacitance tolerance.

Higher voltage ratings and tighter ESR may be substituted within the same size at KEMET's option. Voltage substitutions will be marked with the higher voltage rating. Substitutions can include better than series.

**Part numbers marked in blue font are not recommended for new designs. Please use the T521 series instead.**

**Part numbers marked in orange font are not recommended for new designs. Please contact your KEMET representative for a replacement part.**

^ Denotes the large reel (13") is not available.

Refer to Ordering Information for additional detail.

**Table 1 – Ratings & Part Number Reference cont'd**

| Rated Voltage | Rated Capacitance | Case Code/<br>Case Size | KEMET Part Number            | DC Leakage                    | DF                       | ESR                        | Maximum Allowable Ripple Current | MSL                 | Maximum Operating Temp |
|---------------|-------------------|-------------------------|------------------------------|-------------------------------|--------------------------|----------------------------|----------------------------------|---------------------|------------------------|
| VDC at 105°C  | µF                | KEMET/EIA               | (See below for part options) | µA at 25°C Maximum/ 5 Minutes | % at 25°C 120 Hz Maximum | mΩ at 25°C 100 kHz Maximum | mA at +45°C 100 kHz              | Reflow Temp ≤ 260°C | °C                     |
| 6.3           | 330               | D/7343-31               | T520D337M006A(1)E010         | 207.9                         | 10                       | 10                         | 4700                             | 3                   | 105                    |
| 6.3           | 330               | D/7343-31               | T530D337M006A(1)E010         | 207.9                         | 8                        | 10                         | 5000                             | 3                   | 125                    |
| 6.3           | 330               | D/7343-31               | T520D337M006A(1)E015         | 207.9                         | 10                       | 15                         | 3900                             | 3                   | 105                    |
| 6.3           | 330               | D/7343-31               | T520D337M006A(1)E018         | 207.9                         | 10                       | 18                         | 3500                             | 3                   | 105                    |
| 6.3           | 330               | D/7343-31               | T520D337M006A(1)E025         | 207.9                         | 10                       | 25                         | 3000                             | 3                   | 105                    |
| 6.3           | 330               | D/7343-31               | T525D337M006A(1)E025         | 207.9                         | 10                       | 25                         | 3000                             | 3                   | 125                    |
| 6.3           | 330               | D/7343-31               | T520D337M006A(1)E040         | 207.9                         | 10                       | 40                         | 2400                             | 3                   | 105                    |
| 6.3           | 330               | D/7343-31               | T525D337M006A(1)E040         | 207.9                         | 10                       | 40                         | 2400                             | 3                   | 125                    |
| 6.3           | 330               | D/7343-31               | T520D337M006A(1)E045         | 207.9                         | 10                       | 45                         | 2200                             | 3                   | 105                    |
| 6.3           | 330               | Y/7343-40               | T530Y337M006A(1)E005         | 207.9                         | 8                        | 5                          | 7300                             | 3                   | 125                    |
| 6.3           | 330               | Y/7343-40               | T530Y337M006A(1)E006         | 207.9                         | 8                        | 6                          | 6600                             | 3                   | 125                    |
| 6.3           | 330               | Y/7343-40               | T520Y337M006A(1)E010         | 207.9                         | 10                       | 10                         | 4900                             | 3                   | 105                    |
| 6.3           | 330               | Y/7343-40               | T530Y337M006A(1)E010         | 207.9                         | 8                        | 10                         | 5100                             | 3                   | 125                    |
| 6.3           | 330               | Y/7343-40               | T520Y337M006A(1)E015         | 207.9                         | 10                       | 15                         | 4000                             | 3                   | 105                    |
| 6.3           | 330               | Y/7343-40               | T520Y337M006A(1)E025         | 207.9                         | 10                       | 25                         | 3100                             | 3                   | 105                    |
| 6.3           | 330               | Y/7343-40               | T520Y337M006A(1)E040         | 207.9                         | 10                       | 40                         | 2500                             | 3                   | 105                    |
| 6.3           | 470               | W/7343-15               | T520W477M006A(1)E055         | 296.1                         | 10                       | 55                         | 1800                             | 3                   | 85                     |
| 6.3           | 470               | W/7343-15               | T520W477M006A(1)E035         | 296.1                         | 9                        | 35                         | 2300                             | 3                   | 85                     |
| 6.3           | 470               | V/7343-19               | T520V477M006A(1)E055         | 296.1                         | 10                       | 55                         | 1800                             | 3                   | 105                    |
| 6.3           | 470               | V/7343-19               | T520V477M006A(1)E035         | 296.1                         | 10                       | 35                         | 2300                             | 3                   | 105                    |
| 6.3           | 470               | Y/7343-40               | T530Y477M006A(1)E005         | 296.1                         | 8                        | 5                          | 7300                             | 3                   | 125                    |
| 6.3           | 470               | Y/7343-40               | T520Y477M006A(1)E010         | 296.1                         | 10                       | 10                         | 4900                             | 3                   | 105                    |
| 6.3           | 470               | Y/7343-40               | T520Y477M006A(1)E015         | 296.1                         | 10                       | 15                         | 4000                             | 3                   | 105                    |
| 6.3           | 470               | Y/7343-40               | T520Y477M006A(1)E018         | 296.1                         | 10                       | 18                         | 3700                             | 3                   | 105                    |
| 6.3           | 470               | Y/7343-40               | T520Y477M006A(1)E025         | 296.1                         | 10                       | 25                         | 3100                             | 3                   | 105                    |
| 6.3           | 470               | Y/7343-40               | T520Y477M006A(1)E035         | 296.1                         | 10                       | 35                         | 2600                             | 3                   | 105                    |
| 6.3           | 470               | Y/7343-40               | T525Y477M006A(1)E035         | 296.1                         | 10                       | 35                         | 2600                             | 3                   | 125                    |
| 6.3           | 470               | D/7343-31               | T520D477M006A(1)E015         | 296.1                         | 10                       | 15                         | 3900                             | 3                   | 105                    |
| 6.3           | 470               | D/7343-31               | T520D477M006A(1)E025         | 296.1                         | 10                       | 25                         | 3000                             | 3                   | 105                    |
| 6.3           | 470               | D/7343-31               | T520D477M006A(1)E030         | 296.1                         | 10                       | 30                         | 2700                             | 3                   | 105                    |
| 6.3           | 470               | X/7343-43               | T530X477M006A(1)E004         | 296.1                         | 8                        | 4                          | 8200                             | 3                   | 125                    |
| 6.3           | 470               | X/7343-43               | T530X477M006A(1)E005         | 296.1                         | 8                        | 5                          | 7300                             | 3                   | 125                    |
| 6.3           | 470               | X/7343-43               | T530X477M006A(1)E006         | 296.1                         | 8                        | 6                          | 6700                             | 3                   | 125                    |
| 6.3           | 470               | X/7343-43               | T520X477M006A(1)E010         | 296.1                         | 10                       | 10                         | 5000                             | 3                   | 105                    |
| 6.3           | 470               | X/7343-43               | T530X477M006A(1)E010         | 296.1                         | 8                        | 10                         | 5200                             | 3                   | 125                    |
| 6.3           | 470               | X/7343-43               | T520X477M006A(1)E018         | 296.1                         | 10                       | 18                         | 3700                             | 3                   | 105                    |
| 6.3           | 470               | X/7343-43               | T520X477M006A(1)E035         | 296.1                         | 10                       | 35                         | 2700                             | 3                   | 105                    |
| 6.3           | 470               | X/7343-43               | T520X477M006A(1)E040         | 296.1                         | 10                       | 40                         | 2500                             | 3                   | 105                    |
| 6.3           | 680               | Y/7343-40               | T520Y687M006A(1)E025         | 428.4                         | 10                       | 25                         | 3100                             | 3                   | 105                    |
| 6.3           | 680               | X/7343-43               | T530X687M006A(1)E010         | 428.4                         | 8                        | 10                         | 5200                             | 3                   | 125                    |
| 6.3           | 680               | X/7343-43               | T530X687M006A(1)E018         | 428.4                         | 8                        | 18                         | 3900                             | 3                   | 125                    |
| 6.3           | 680               | X/7343-43               | T520X687M006A(1)E025         | 428.4                         | 10                       | 25                         | 3100                             | 3                   | 105                    |
| 6.3           | 680               | X/7343-43               | T520X687M006A(1)E018         | 428                           | 10                       | 18                         | 3700                             | 3                   | 105                    |
| VDC at 105°C  | µF                | KEMET/EIA               | (See below for part options) | µA at 25°C Maximum/ 5 Minutes | % at 25°C 120 Hz Maximum | mΩ at 25°C 100 kHz Maximum | mA at +45°C 100 kHz              | Reflow Temp ≤ 260°C | °C                     |
| Rated Voltage | Rated Capacitance | Case Code/<br>Case Size | KEMET Part Number            | DC Leakage                    | DF                       | ESR                        | Maximum Allowable Ripple Current | MSL                 | Maximum Operating Temp |

(1) To complete KEMET part number, insert T = 100% Matte Tin (Sn) Plated, H = Standard Solder coated (SnPb 5% Pb minimum), N = Non-Magnetic 100% Tin (Sn), M = Non-Magnetic (SnPb). Refer to Ordering Information for additional detail.

(2) To complete KEMET part number, insert M for ± 20% or K for ± 10%. Designates Capacitance tolerance.

Higher voltage ratings and tighter ESR may be substituted within the same size at KEMET's option. Voltage substitutions will be marked with the higher voltage rating. Substitutions can include better than series.

**Part numbers marked in blue font are not recommended for new designs. Please use the T521 series instead.**

**Part numbers marked in orange font are not recommended for new designs. Please contact your KEMET representative for a replacement part.**

^ Denotes the large reel (13") is not available.

Refer to Ordering Information for additional detail.

**Table 1 – Ratings & Part Number Reference cont'd**

| Rated Voltage | Rated Capacitance | Case Code/<br>Case Size | KEMET Part Number            | DC Leakage                       | DF                       | ESR                        | Maximum Allowable Ripple Current | MSL                 | Maximum Operating Temp |
|---------------|-------------------|-------------------------|------------------------------|----------------------------------|--------------------------|----------------------------|----------------------------------|---------------------|------------------------|
| VDC at 105°C  | µF                | KEMET/EIA               | (See below for part options) | µA at 25°C Maximum/<br>5 Minutes | % at 25°C 120 Hz Maximum | mΩ at 25°C 100 kHz Maximum | mA at +45°C 100 kHz              | Reflow Temp ≤ 260°C | °C                     |
| 6.3           | 680               | J/7360-15               | T523J687M006APE070           | 428                              | 10                       | 70                         | 1700                             | 3                   | 85                     |
| 6.3           | 1000              | H/7360-20               | T520H108M006A(1)E055         | 630                              | 20                       | 55                         | 1800                             | 3                   | 85                     |
| 6.3           | 1200              | H/7360-20               | T520H128M006A(1)E070         | 756                              | 20                       | 70                         | 1200                             | 3                   | 85                     |
| 6.3           | 1500              | H/7360-20               | T520H158M006A(1)E055         | 945                              | 20                       | 55                         | 1800                             | 3                   | 85                     |
| 8             | 22                | T/3528-12               | T520T226M008A(1)E070         | 17.6                             | 8                        | 70                         | 1200                             | 3                   | 105                    |
| 8             | 33                | T/3528-12               | T520T336M008A(1)E070         | 26.4                             | 8                        | 70                         | 1200                             | 3                   | 105                    |
| 8             | 33                | T/3528-12               | T520T336M008A(1)E080         | 26.4                             | 8                        | 80                         | 1100                             | 3                   | 105                    |
| 8             | 33                | T/3528-12               | T525T336M008A(1)E080         | 26.4                             | 8                        | 80                         | 1100                             | 3                   | 125                    |
| 8             | 33                | B/3528-21               | T520B336M008A(1)E025         | 26.4                             | 8                        | 25                         | 2300                             | 3                   | 105                    |
| 8             | 33                | B/3528-21               | T520B336M008A(1)E035         | 26.4                             | 8                        | 35                         | 1900                             | 3                   | 105                    |
| 8             | 33                | B/3528-21               | T520B336M008A(1)E040         | 26.4                             | 8                        | 40                         | 1800                             | 3                   | 105                    |
| 8             | 33                | B/3528-21               | T520B336M008A(1)E070         | 26.4                             | 8                        | 70                         | 1300                             | 3                   | 105                    |
| 8             | 33                | U/6032-15               | T520U336M008A(1)E070         | 26.4                             | 8                        | 70                         | 1400                             | 3                   | 105                    |
| 8             | 47                | B/3528-21               | T520B476M008A(1)E035         | 37.6                             | 8                        | 35                         | 1900                             | 3                   | 105                    |
| 8             | 47                | B/3528-21               | T520B476M008A(1)E070         | 37.6                             | 8                        | 70                         | 1300                             | 3                   | 105                    |
| 8             | 82                | C/6032-28               | T520C826M008A(1)E025         | 65.6                             | 8                        | 25                         | 2600                             | 3                   | 105                    |
| 8             | 82                | C/6032-28               | T520C826M008A(1)E045         | 65.6                             | 8                        | 45                         | 1900                             | 3                   | 105                    |
| 8             | 150               | D/7343-31               | T520D157M008A(1)E025         | 120                              | 10                       | 25                         | 3000                             | 3                   | 105                    |
| 8             | 150               | D/7343-31               | T520D157M008A(1)E040         | 120                              | 10                       | 40                         | 2400                             | 3                   | 105                    |
| 8             | 150               | D/7343-31               | T520D157M008A(1)E055         | 120                              | 10                       | 55                         | 2000                             | 3                   | 105                    |
| 8             | 150               | V/7343-19               | T520V157M008A(1)E040         | 120                              | 10                       | 40                         | 2200                             | 3                   | 105                    |
| 10            | 10                | P/2012-10               | T529P106M010AAE200           | 30                               | 6                        | 200                        | 354                              | 3                   | 105                    |
| 10            | 10                | A/3216-18               | T520A106M010A(1)E080         | 10                               | 8                        | 80                         | 1200                             | 3                   | 105                    |
| 10            | 10                | A/3216-18               | T525A106M010A(1)E080         | 10                               | 8                        | 80                         | 1200                             | 3                   | 125                    |
| 10            | 15                | A/3216-18               | T520A156M010A(1)E080         | 15                               | 8                        | 80                         | 1200                             | 3                   | 105                    |
| 10            | 22                | P/2012-10               | T529P226M010AAE150           | 66                               | 6                        | 150                        | 408                              | 3                   | 105                    |
| 10            | 22                | P/2012-10               | T529P226M010AAE200           | 66                               | 6                        | 200                        | 354                              | 3                   | 105                    |
| 10            | 22                | I/3216-10               | T527I226M010ATE200           | 22                               | 8                        | 200                        | 548                              | 3                   | 105                    |
| 10            | 22                | A/3216-18               | T520A226M010A(1)E080         | 22                               | 8                        | 80                         | 1200                             | 3                   | 105                    |
| 10            | 22                | B/3528-21               | T525B226M010A(1)E080         | 22                               | 8                        | 80                         | 1300                             | 3                   | 125                    |
| 10            | 33                | I/3216-10               | T527I336M010ATE200           | 33                               | 6                        | 200                        | 548                              | 3                   | 105                    |
| 10            | 33                | T/3528-12               | T520T336M010A(1)E040         | 33                               | 8                        | 40                         | 1600                             | 3                   | 105                    |
| 10            | 33                | T/3528-12               | T520T336M010A(1)E070         | 33                               | 8                        | 70                         | 1200                             | 3                   | 105                    |
| 10            | 33                | T/3528-12               | T520T336M010A(1)E080         | 33                               | 8                        | 80                         | 1100                             | 3                   | 105                    |
| 10            | 33                | T/3528-12               | T525T336M010A(1)E080         | 33                               | 8                        | 80                         | 1100                             | 3                   | 125                    |
| 10            | 33                | B/3528-21               | T520B336M010A(1)E025         | 33                               | 8                        | 25                         | 2300                             | 3                   | 105                    |
| 10            | 33                | B/3528-21               | T520B336M010A(1)E035         | 33                               | 8                        | 35                         | 1900                             | 3                   | 105                    |
| 10            | 33                | B/3528-21               | T520B336M010A(1)E040         | 33                               | 8                        | 40                         | 1800                             | 3                   | 105                    |
| 10            | 33                | B/3528-21               | T520B336M010A(1)E070         | 33                               | 8                        | 70                         | 1300                             | 3                   | 105                    |
| 10            | 33                | B/3528-21               | T525B336M010A(1)E080         | 33                               | 8                        | 80                         | 1300                             | 3                   | 125                    |
| 10            | 33                | U/6032-15               | T520U336M010A(1)E070         | 33                               | 8                        | 70                         | 1400                             | 3                   | 105                    |
| 10            | 47                | P/2012-10               | <b>T529P476M010AAE200</b>    | <b>141</b>                       | <b>6</b>                 | <b>200</b>                 | <b>354</b>                       | <b>3</b>            | <b>105</b>             |
| 10            | 47                | I/3216-10               | T527I476M010ATE200           | 47                               | 6                        | 200                        | 548                              | 3                   | 105                    |
| VDC at 105°C  | µF                | KEMET/EIA               | (See below for part options) | µA at 25°C Maximum/<br>5 Minutes | % at 25°C 120 Hz Maximum | mΩ at 25°C 100 kHz Maximum | mA at +45°C 100 kHz              | Reflow Temp ≤ 260°C | °C                     |
| Rated Voltage | Rated Capacitance | Case Code/<br>Case Size | KEMET Part Number            | DC Leakage                       | DF                       | ESR                        | Maximum Allowable Ripple Current | MSL                 | Maximum Operating Temp |

(1) To complete KEMET part number, insert T = 100% Matte Tin (Sn) Plated, H = Standard Solder coated (SnPb 5% Pb minimum), N = Non-Magnetic 100% Tin (Sn), M = Non-Magnetic (SnPb). Refer to Ordering Information for additional detail.

(2) To complete KEMET part number, insert M for ± 20% or K for ± 10%. Designates Capacitance tolerance.

Higher voltage ratings and tighter ESR may be substituted within the same size at KEMET's option. Voltage substitutions will be marked with the higher voltage rating. Substitutions can include better than series.

**Part numbers marked in blue font are not recommended for new designs. Please use the T521 series instead.**

**Part numbers marked in orange font are not recommended for new designs. Please contact your KEMET representative for a replacement part.**

^ Denotes the large reel (13") is not available.

Refer to Ordering Information for additional detail.

**Table 1 – Ratings & Part Number Reference cont'd**

| Rated Voltage | Rated Capacitance | Case Code/<br>Case Size | KEMET Part Number            | DC Leakage                       | DF                       | ESR                        | Maximum Allowable Ripple Current | MSL                 | Maximum Operating Temp |
|---------------|-------------------|-------------------------|------------------------------|----------------------------------|--------------------------|----------------------------|----------------------------------|---------------------|------------------------|
| VDC at 105°C  | µF                | KEMET/EIA               | (See below for part options) | µA at 25°C Maximum/<br>5 Minutes | % at 25°C 120 Hz Maximum | mΩ at 25°C 100 kHz Maximum | mA at +45°C 100 kHz              | Reflow Temp ≤ 260°C | °C                     |
| 10            | 47                | B/3528-21               | T520B476M010A(1)E035         | 47                               | 8                        | 35                         | 1900                             | 3                   | 105                    |
| 10            | 47                | B/3528-21               | T520B476M010A(1)E070         | 47                               | 8                        | 70                         | 1300                             | 3                   | 105                    |
| 10            | 47                | U/6032-15               | T520U476M010A(1)E055         | 47                               | 8                        | 55                         | 1600                             | 3                   | 105                    |
| 10            | 47                | C/6032-28               | T520C476M010A(1)E100         | 47                               | 8                        | 100                        | 1300                             | 3                   | 105                    |
| 10            | 68                | U/6032-15               | T520U686M010A(1)E055         | 68                               | 8                        | 55                         | 1600                             | 3                   | 105                    |
| 10            | 68                | W/7343-15               | T520W686M010A(1)E025         | 68                               | 10                       | 25                         | 2700                             | 3                   | 105                    |
| 10            | 68                | W/7343-15               | T520W686M010A(1)E040         | 68                               | 10                       | 40                         | 2100                             | 3                   | 105                    |
| 10            | 68                | C/6032-28               | T520C686M010A(1)E045         | 68                               | 8                        | 45                         | 1900                             | 3                   | 105                    |
| 10            | 68                | V/7343-19               | T520V686M010A(1)E025         | 68                               | 10                       | 25                         | 2700                             | 3                   | 105                    |
| 10            | 68                | V/7343-19               | T520V686M010A(1)E040         | 68                               | 10                       | 40                         | 2200                             | 3                   | 105                    |
| 10            | 68                | V/7343-19               | T520V686M010A(1)E045         | 68                               | 10                       | 45                         | 2000                             | 3                   | 105                    |
| 10            | 68                | V/7343-19               | T520V686M010A(1)E060         | 68                               | 10                       | 60                         | 1800                             | 3                   | 105                    |
| 10            | 68                | V/7343-19               | T520V686M010A(1)E100         | 68                               | 10                       | 100                        | 1400                             | 3                   | 105                    |
| 10            | 68                | D/7343-31               | T520D686M010A(1)E100         | 68                               | 10                       | 100                        | 1500                             | 3                   | 105                    |
| 10            | 100               | B/3528-21               | T520B107M010A(1)E070         | 100                              | 8                        | 70                         | 1300                             | 3                   | 105                    |
| 10            | 100               | C/6032-28               | T520C107M010A(1)E025         | 100                              | 8                        | 25                         | 2600                             | 3                   | 105                    |
| 10            | 100               | C/6032-28               | T520C107M010A(1)E045         | 100                              | 8                        | 45                         | 1900                             | 3                   | 105                    |
| 10            | 100               | L/6032-19               | T520L107M010A(1)E025         | 100                              | 8                        | 25                         | 2400                             | 3                   | 105                    |
| 10            | 100               | W/7343-15               | T520W107M010A(1)E040         | 100                              | 10                       | 40                         | 2100                             | 3                   | 105                    |
| 10            | 100               | V/7343-19               | T520V107M010A(1)E018         | 100                              | 10                       | 18                         | 3200                             | 3                   | 105                    |
| 10            | 100               | V/7343-19               | T520V107M010A(1)E025         | 100                              | 10                       | 25                         | 2700                             | 3                   | 105                    |
| 10            | 100               | V/7343-19               | T520V107M010A(1)E045         | 100                              | 10                       | 45                         | 2000                             | 3                   | 105                    |
| 10            | 100               | V/7343-19               | T520V107M010A(1)E050         | 100                              | 10                       | 50                         | 1900                             | 3                   | 105                    |
| 10            | 100               | V/7343-19               | T520V107M010A(1)E055         | 100                              | 10                       | 55                         | 1800                             | 3                   | 105                    |
| 10            | 100               | D/7343-31               | T520D107M010A(1)E018         | 100                              | 10                       | 18                         | 3500                             | 3                   | 105                    |
| 10            | 100               | D/7343-31               | T525D107M010A(1)E025         | 100                              | 10                       | 25                         | 3000                             | 3                   | 125                    |
| 10            | 100               | D/7343-31               | T520D107M010A(1)E055         | 100                              | 10                       | 55                         | 2000                             | 3                   | 105                    |
| 10            | 100               | D/7343-31               | T525D107M010A(1)E055         | 100                              | 10                       | 55                         | 2000                             | 3                   | 125                    |
| 10            | 100               | D/7343-31               | T520D107M010A(1)E080         | 100                              | 10                       | 80                         | 1700                             | 3                   | 105                    |
| 10            | 150               | C/6032-28               | T520C157M010A(1)E055         | 150                              | 8                        | 55                         | 1700                             | 3                   | 105                    |
| 10            | 150               | V/7343-19               | T520V157M010A(1)E018         | 150                              | 10                       | 18                         | 3200                             | 3                   | 105                    |
| 10            | 150               | V/7343-19               | T520V157M010A(1)E025         | 150                              | 10                       | 25                         | 2700                             | 3                   | 105                    |
| 10            | 150               | V/7343-19               | T520V157M010A(1)E040         | 150                              | 10                       | 40                         | 2200                             | 3                   | 105                    |
| 10            | 150               | D/7343-31               | T530D157M010A(1)E005         | 150                              | 8                        | 5                          | 7100                             | 3                   | 125                    |
| 10            | 150               | D/7343-31               | T530D157M010A(1)E006         | 150                              | 8                        | 6                          | 6500                             | 3                   | 125                    |
| 10            | 150               | D/7343-31               | T530D157M010A(1)E010         | 150                              | 8                        | 10                         | 5000                             | 3                   | 125                    |
| 10            | 150               | D/7343-31               | T520D157M010A(1)E015         | 150                              | 10                       | 15                         | 3900                             | 3                   | 105                    |
| 10            | 150               | D/7343-31               | T520D157M010A(1)E018         | 150                              | 10                       | 18                         | 3500                             | 3                   | 105                    |
| 10            | 150               | D/7343-31               | T520D157M010A(1)E025         | 150                              | 10                       | 25                         | 3000                             | 3                   | 105                    |
| 10            | 150               | D/7343-31               | T525D157M010A(1)E025         | 150                              | 10                       | 25                         | 3000                             | 3                   | 125                    |
| 10            | 150               | D/7343-31               | T520D157M010A(1)E040         | 150                              | 10                       | 40                         | 2400                             | 3                   | 105                    |
| 10            | 150               | D/7343-31               | T520D157M010A(1)E055         | 150                              | 10                       | 55                         | 2000                             | 3                   | 105                    |
| 10            | 150               | D/7343-31               | T525D157M010A(1)E055         | 150                              | 10                       | 55                         | 2000                             | 3                   | 125                    |
| VDC at 105°C  | µF                | KEMET/EIA               | (See below for part options) | µA at 25°C Maximum/<br>5 Minutes | % at 25°C 120 Hz Maximum | mΩ at 25°C 100 kHz Maximum | mA at +45°C 100 kHz              | Reflow Temp ≤ 260°C | °C                     |
| Rated Voltage | Rated Capacitance | Case Code/<br>Case Size | KEMET Part Number            | DC Leakage                       | DF                       | ESR                        | Maximum Allowable Ripple Current | MSL                 | Maximum Operating Temp |

(1) To complete KEMET part number, insert T = 100% Matte Tin (Sn) Plated, H = Standard Solder coated (SnPb 5% Pb minimum), N = Non-Magnetic 100% Tin (Sn), M = Non-Magnetic (SnPb). Refer to Ordering Information for additional detail.

(2) To complete KEMET part number, insert M for ± 20% or K for ± 10%. Designates Capacitance tolerance.

Higher voltage ratings and tighter ESR may be substituted within the same size at KEMET's option. Voltage substitutions will be marked with the higher voltage rating. Substitutions can include better than series.

Part numbers marked in blue font are not recommended for new designs. Please use the T521 series instead.

Part numbers marked in orange font are not recommended for new designs. Please contact your KEMET representative for a replacement part.

^ Denotes the large reel (13") is not available.

Refer to Ordering Information for additional detail.

**Table 1 – Ratings & Part Number Reference cont'd**

| Rated Voltage | Rated Capacitance | Case Code/<br>Case Size | KEMET Part Number            | DC Leakage                    | DF                       | ESR                        | Maximum Allowable Ripple Current | MSL                 | Maximum Operating Temp |
|---------------|-------------------|-------------------------|------------------------------|-------------------------------|--------------------------|----------------------------|----------------------------------|---------------------|------------------------|
| VDC at 105°C  | µF                | KEMET/EIA               | (See below for part options) | µA at 25°C Maximum/ 5 Minutes | % at 25°C 120 Hz Maximum | mΩ at 25°C 100 kHz Maximum | mA at +45°C 100 kHz              | Reflow Temp ≤ 260°C | °C                     |
| 10            | 150               | Y/7343-40               | T520Y157M010A(1)E015         | 150                           | 10                       | 15                         | 4000                             | 3                   | 105                    |
| 10            | 150               | Y/7343-40               | T520Y157M010A(1)E018         | 150                           | 10                       | 18                         | 3700                             | 3                   | 105                    |
| 10            | 150               | Y/7343-40               | T520Y157M010A(1)E025         | 150                           | 10                       | 25                         | 3100                             | 3                   | 105                    |
| 10            | 220               | V/7343-19               | T520V227M010A(1)E045         | 220                           | 10                       | 45                         | 2000                             | 3                   | 105                    |
| 10            | 220               | V/7343-19               | T520V227M010A(1)E025         | 220                           | 10                       | 25                         | 2700                             | 3                   | 105                    |
| 10            | 220               | D/7343-31               | T530D227M010A(1)E006         | 220                           | 8                        | 6                          | 6500                             | 3                   | 125                    |
| 10            | 220               | D/7343-31               | T530D227M010A(1)E010         | 220                           | 8                        | 10                         | 5000                             | 3                   | 125                    |
| 10            | 220               | D/7343-31               | T520D227M010A(1)E018         | 220                           | 10                       | 18                         | 3500                             | 3                   | 105                    |
| 10            | 220               | D/7343-31               | T520D227M010A(1)E025         | 220                           | 10                       | 25                         | 3000                             | 3                   | 105                    |
| 10            | 220               | D/7343-31               | T525D227M010A(1)E025         | 220                           | 10                       | 25                         | 3000                             | 3                   | 125                    |
| 10            | 220               | D/7343-31               | T520D227M010A(1)E040         | 220                           | 10                       | 40                         | 2400                             | 3                   | 105                    |
| 10            | 220               | Y/7343-40               | T530Y227M010A(1)E006         | 220                           | 8                        | 6                          | 6600                             | 3                   | 125                    |
| 10            | 220               | Y/7343-40               | T520Y227M010A(1)E040         | 220                           | 10                       | 40                         | 2500                             | 3                   | 105                    |
| 10            | 330               | Y/7343-40               | T520Y337M010A(1)E015         | 330                           | 10                       | 15                         | 4000                             | 3                   | 105                    |
| 10            | 330               | Y/7343-40               | T520Y337M010A(1)E025         | 330                           | 10                       | 25                         | 3100                             | 3                   | 105                    |
| 10            | 330               | Y/7343-40               | T520Y337M010A(1)E035         | 330                           | 10                       | 35                         | 2600                             | 3                   | 105                    |
| 10            | 330               | Y/7343-40               | T525Y337M010A(1)E035         | 330                           | 10                       | 35                         | 2600                             | 3                   | 125                    |
| 10            | 330               | X/7343-43               | T530X337M010A(1)E004         | 330                           | 8                        | 4                          | 8200                             | 3                   | 125                    |
| 10            | 330               | X/7343-43               | T530X337M010A(1)E005         | 330                           | 8                        | 5                          | 7300                             | 3                   | 125                    |
| 10            | 330               | X/7343-43               | T530X337M010A(1)E006         | 330                           | 8                        | 6                          | 6700                             | 3                   | 125                    |
| 10            | 330               | X/7343-43               | T520X337M010A(1)E010         | 330                           | 10                       | 10                         | 5000                             | 3                   | 105                    |
| 10            | 330               | X/7343-43               | T530X337M010A(1)E010         | 330                           | 8                        | 10                         | 5200                             | 3                   | 125                    |
| 10            | 330               | X/7343-43               | T520X337M010A(1)E025         | 330                           | 10                       | 25                         | 3100                             | 3                   | 105                    |
| 10            | 330               | X/7343-43               | T520X337M010A(1)E035         | 330                           | 10                       | 35                         | 2700                             | 3                   | 105                    |
| 10            | 330               | J/7360-15               | T523J337M010APE070           | 330                           | 10                       | 70                         | 1700                             | 3                   | 85                     |
| 10            | 470               | J/7360-15               | T523J477M010APE070           | 470                           | 10                       | 70                         | 1700                             | 3                   | 85                     |
| 10            | 820               | H/7360-20               | T520H827M010A(1)E070         | 820                           | 20                       | 70                         | 1200                             | 3                   | 85                     |
| 10            | 330               | X/7343-43               | T520X337M010A(1)E040         | 330                           | 10                       | 40                         | 2500                             | 3                   | 105                    |
| 11            | 47                | Q/7343-12               | T520Q476M011A(1)E040         | 52                            | 10                       | 40                         | 4500                             | 3                   | 105                    |
| 12.5          | 10                | T/3528-12               | T520T106M12RA(1)E150         | 12.5                          | 8                        | 150                        | 800                              | 3                   | 105                    |
| 12.5          | 15                | T/3528-12               | T520T156M12RA(1)E080         | 18.75                         | 8                        | 80                         | 1100                             | 3                   | 105                    |
| 12.5          | 47                | T/3528-12               | T521T476M12RA(1)E090         | 58.8                          | 8                        | 90                         | 1100                             | 3                   | 105                    |
| 16            | 10                | B/3528-21               | <b>T520B106M016A(1)E100</b>  | <b>16</b>                     | <b>8</b>                 | <b>100</b>                 | <b>1100</b>                      | <b>3</b>            | <b>105</b>             |
| 16            | 10                | B/3528-21               | T521B106M016A(1)E100         | 16                            | 8                        | 100                        | 1100                             | 3                   | 125                    |
| 16            | 15                | B/3528-21               | T521B156M016A(1)E090         | 24                            | 8                        | 90                         | 1200                             | 3                   | 105                    |
| 16            | 22                | B/3528-21               | T521B226M016A(1)E090         | 35.2                          | 8                        | 90                         | 1200                             | 3                   | 105                    |
| 16            | 22                | C/6032-28               | T520C226M016A(1)E080         | 35.2                          | 8                        | 80                         | 1400                             | 3                   | 105                    |
| 16            | 33                | T/3528-12               | T521T336M016A(1)E045         | 52.8                          | 8                        | 45                         | 1500                             | 3                   | 105                    |
| 16            | 33                | T/3528-12               | T521T336M016A(1)E050         | 52.8                          | 10                       | 50                         | 1400                             | 3                   | 105                    |
| 16            | 33                | B/3528-21               | T521B336M016A(1)E070         | 52.8                          | 8                        | 70                         | 1300                             | 3                   | 105                    |
| 16            | 33                | B/3528-21               | T521B336M016A(1)E090         | 52.8                          | 8                        | 90                         | 1200                             | 3                   | 105                    |
| 16            | 33                | B/3528-21               | T525B336M016A(1)E070         | 52.8                          | 8                        | 70                         | 1300                             | 3                   | 125                    |
| 16            | 33                | B/3528-21               | T525B336M016A(1)E090         | 52.8                          | 8                        | 90                         | 1200                             | 3                   | 125                    |
| VDC at 105°C  | µF                | KEMET/EIA               | (See below for part options) | µA at 25°C Maximum/ 5 Minutes | % at 25°C 120 Hz Maximum | mΩ at 25°C 100 kHz Maximum | mA at +45°C 100 kHz              | Reflow Temp ≤ 260°C | °C                     |
| Rated Voltage | Rated Capacitance | Case Code/<br>Case Size | KEMET Part Number            | DC Leakage                    | DF                       | ESR                        | Maximum Allowable Ripple Current | MSL                 | Maximum Operating Temp |

(1) To complete KEMET part number, insert T = 100% Matte Tin (Sn) Plated, H = Standard Solder coated (SnPb 5% Pb minimum), N = Non-Magnetic 100% Tin (Sn), M = Non-Magnetic (SnPb). Refer to Ordering Information for additional detail.

(2) To complete KEMET part number, insert M for ± 20% or K for ± 10%. Designates Capacitance tolerance.

Higher voltage ratings and tighter ESR may be substituted within the same size at KEMET's option. Voltage substitutions will be marked with the higher voltage rating. Substitutions can include better than series.

**Part numbers marked in blue font are not recommended for new designs. Please use the T521 series instead.**

**Part numbers marked in orange font are not recommended for new designs. Please contact your KEMET representative for a replacement part.**

^ Denotes the large reel (13") is not available.

Refer to Ordering Information for additional detail.

**Table 1 – Ratings & Part Number Reference cont'd**

| Rated Voltage | Rated Capacitance | Case Code/<br>Case Size | KEMET Part Number            | DC Leakage                       | DF                       | ESR                        | Maximum Allowable Ripple Current | MSL                 | Maximum Operating Temp |
|---------------|-------------------|-------------------------|------------------------------|----------------------------------|--------------------------|----------------------------|----------------------------------|---------------------|------------------------|
| VDC at 105°C  | µF                | KEMET/EIA               | (See below for part options) | µA at 25°C Maximum/<br>5 Minutes | % at 25°C 120 Hz Maximum | mΩ at 25°C 100 kHz Maximum | mA at +45°C 100 kHz              | Reflow Temp ≤ 260°C | °C                     |
| 16            | 33                | Q/7343-12               | T521Q336M016A(1)E040         | 52.8                             | 10                       | 40                         | 2500                             | 3                   | 105                    |
| 16            | 33                | W/7343-15               | T520W336M016A(1)E045         | 52.8                             | 10                       | 45                         | 2000                             | 3                   | 105                    |
| 16            | 33                | V/7343-19               | T520V336M016A(1)E045         | 52.8                             | 10                       | 45                         | 2000                             | 3                   | 105                    |
| 16            | 33                | V/7343-19               | T520V336M016A(1)E060         | 52.8                             | 10                       | 60                         | 1800                             | 3                   | 105                    |
| 16            | 33                | V/7343-19               | T520V336M016A(1)E070         | 52.8                             | 10                       | 70                         | 1600                             | 3                   | 105                    |
| 16            | 47                | W/7343-15               | T521W476M016A(1)E040         | 75.2                             | 10                       | 40                         | 2100                             | 3                   | 105                    |
| 16            | 47                | W/7343-15               | T521W476M016A(1)E045         | 75.2                             | 10                       | 45                         | 2000                             | 3                   | 105                    |
| 16            | 47                | V/7343-19               | T521V476M016A(1)E040         | 75.2                             | 10                       | 40                         | 2200                             | 3                   | 105                    |
| 16            | 47                | V/7343-19               | T520V476M016A(1)E045         | 75.2                             | 10                       | 45                         | 2000                             | 3                   | 105                    |
| 16            | 47                | V/7343-19               | T521V476M016A(1)E055         | 75.2                             | 10                       | 55                         | 1800                             | 3                   | 105                    |
| 16            | 47                | V/7343-19               | T521V476M016A(1)E070         | 75.2                             | 10                       | 70                         | 1600                             | 3                   | 105                    |
| 16            | 47                | V/7343-19               | T521V476M016A(1)E080         | 75.2                             | 10                       | 80                         | 1500                             | 3                   | 105                    |
| 16            | 47                | D/7343-31               | T520D476M016A(1)E035         | 75.2                             | 10                       | 35                         | 2500                             | 3                   | 105                    |
| 16            | 47                | D/7343-31               | T525D476M016A(1)E035         | 75.2                             | 10                       | 35                         | 2500                             | 3                   | 125                    |
| 16            | 47                | D/7343-31               | T521D476M016A(1)E040         | 75.2                             | 10                       | 40                         | 2400                             | 3                   | 105                    |
| 16            | 47                | D/7343-31               | T521D476M016A(1)E045         | 75.2                             | 10                       | 45                         | 2200                             | 3                   | 105                    |
| 16            | 47                | D/7343-31               | T521D476M016A(1)E055         | 75.2                             | 10                       | 55                         | 2000                             | 3                   | 105                    |
| 16            | 47                | D/7343-31               | T525D476M016A(1)E065         | 75.2                             | 10                       | 65                         | 1900                             | 3                   | 125                    |
| 16            | 47                | D/7343-31               | T520D476M016A(1)E070         | 75.2                             | 10                       | 70                         | 1800                             | 3                   | 105                    |
| 16            | 47                | D/7343-31               | T521D476M016A(1)E070         | 75.2                             | 10                       | 70                         | 1800                             | 3                   | 105                    |
| 16            | 47                | D/7343-31               | T521D476M016A(1)E090         | 75.2                             | 10                       | 90                         | 1600                             | 3                   | 105                    |
| 16            | 68                | W/7343-15               | T523W686(2)016APE050         | 108.8                            | 10                       | 50                         | 2820                             | 3                   | 105                    |
| 16            | 68                | W/7343-15               | T523W686(2)016APE070         | 108.8                            | 10                       | 70                         | 2376                             | 3                   | 105                    |
| 16            | 68                | W/7343-15               | T523W686(2)016APE100         | 108.8                            | 10                       | 100                        | 1988                             | 3                   | 105                    |
| 16            | 68                | V/7343-19               | T521V686M016A(1)E040         | 108.8                            | 10                       | 40                         | 2200                             | 3                   | 105                    |
| 16            | 68                | V/7343-19               | T521V686M016A(1)E050         | 108.8                            | 10                       | 50                         | 1900                             | 3                   | 105                    |
| 16            | 68                | V/7343-19               | T521V686M016A(1)E090         | 108.8                            | 10                       | 90                         | 1400                             | 3                   | 105                    |
| 16            | 68                | D/7343-31               | T520D686M016A(1)E050         | 108.8                            | 10                       | 50                         | 2100                             | 3                   | 105                    |
| 16            | 100               | W/7343-15               | T523W107(2)016APE050         | 160                              | 10                       | 50                         | 2820                             | 3                   | 105                    |
| 16            | 100               | W/7343-15               | T523W107(2)016APE070         | 160                              | 10                       | 70                         | 2376                             | 3                   | 105                    |
| 16            | 100               | W/7343-15               | T523W107(2)016APE100         | 160                              | 10                       | 100                        | 1988                             | 3                   | 105                    |
| 16            | 100               | V/7343-19               | T521V107M016A(1)E040         | 160                              | 10                       | 40                         | 2200                             | 3                   | 125                    |
| 16            | 100               | V/7343-19               | T521V107M016A(1)E050         | 160                              | 10                       | 50                         | 1900                             | 3                   | 125                    |
| 16            | 100               | D/7343-31               | T521D107M016A(1)E050         | 160                              | 10                       | 50                         | 2100                             | 3                   | 105                    |
| 16            | 150               | W/7343-15               | T523W157(2)016APE050         | 240                              | 10                       | 50                         | 2820                             | 3                   | 105                    |
| 16            | 150               | W/7343-15               | T523W157(2)016APE070         | 240                              | 10                       | 70                         | 2376                             | 3                   | 105                    |
| 16            | 150               | W/7343-15               | T523W157(2)016APE100         | 240                              | 10                       | 100                        | 1988                             | 3                   | 105                    |
| 16            | 150               | D/7343-31               | T521D157M016A(1)E050         | 240                              | 10                       | 50                         | 2100                             | 3                   | 105                    |
| 16            | 150               | D/7343-31               | T521D157M016A(1)E040         | 240                              | 10                       | 40                         | 2400                             | 3                   | 105                    |
| 16            | 150               | X/7343-43               | T530X157M016A(1)E015         | 240                              | 8                        | 15                         | 4200                             | 3                   | 125                    |
| 16            | 150               | X/7343-43               | T530X157M016A(1)E025         | 240                              | 8                        | 25                         | 3300                             | 3                   | 125                    |
| VDC at 105°C  | µF                | KEMET/EIA               | (See below for part options) | µA at 25°C Maximum/<br>5 Minutes | % at 25°C 120 Hz Maximum | mΩ at 25°C 100 kHz Maximum | mA at +45°C 100 kHz              | Reflow Temp ≤ 260°C | °C                     |
| Rated Voltage | Rated Capacitance | Case Code/<br>Case Size | KEMET Part Number            | DC Leakage                       | DF                       | ESR                        | Maximum Allowable Ripple Current | MSL                 | Maximum Operating Temp |

(1) To complete KEMET part number, insert T = 100% Matte Tin (Sn) Plated, H = Standard Solder coated (SnPb 5% Pb minimum), N = Non-Magnetic 100% Tin (Sn), M = Non-Magnetic (SnPb). Refer to Ordering Information for additional detail.

(2) To complete KEMET part number, insert M for ± 20% or K for ± 10%. Designates Capacitance tolerance.

Higher voltage ratings and tighter ESR may be substituted within the same size at KEMET's option. Voltage substitutions will be marked with the higher voltage rating. Substitutions can include better than series.

Part numbers marked in blue font are not recommended for new designs. Please use the T521 series instead.

Part numbers marked in orange font are not recommended for new designs. Please contact your KEMET representative for a replacement part.

^ Denotes the large reel (13") is not available.

Refer to Ordering Information for additional detail.

**Table 1 – Ratings & Part Number Reference cont'd**

| Rated Voltage | Rated Capacitance | Case Code/<br>Case Size | KEMET Part Number            | DC Leakage                       | DF                       | ESR                        | Maximum Allowable Ripple Current | MSL                 | Maximum Operating Temp |
|---------------|-------------------|-------------------------|------------------------------|----------------------------------|--------------------------|----------------------------|----------------------------------|---------------------|------------------------|
| VDC at 105°C  | µF                | KEMET/EIA               | (See below for part options) | µA at 25°C Maximum/<br>5 Minutes | % at 25°C 120 Hz Maximum | mΩ at 25°C 100 kHz Maximum | mA at +45°C 100 kHz              | Reflow Temp ≤ 260°C | °C                     |
| 16            | 150               | X/7343-43               | T520X157M016A(1)E040         | 240                              | 10                       | 40                         | 2500                             | 3                   | 105                    |
| 16            | 150               | X/7343-43               | T530X157M016A(1)E040         | 240                              | 8                        | 40                         | 2600                             | 3                   | 125                    |
| 16            | 150               | X/7343-43               | T521X157M016A(1)E080         | 240                              | 10                       | 80                         | 1800                             | 3                   | 105                    |
| 16            | 220               | X/7343-43               | T521X227M016A(1)E035         | 352                              | 10                       | 35                         | 2700                             | 3                   | 125                    |
| 16            | 220               | X/7343-43               | T521X227M016A(1)E050         | 352                              | 10                       | 50                         | 2200                             | 3                   | 125                    |
| 16            | 220               | H/7360-20               | T523H227M016APE070           | 352                              | 10                       | 70                         | 2510                             | 3                   | 105                    |
| 16            | 220               | J/7360-15               | T523J227M016APE070           | 352                              | 10                       | 70                         | 2100                             | 3                   | 85                     |
| 16            | 330               | X/7343-43               | T521X337M016A(1)E025         | 528                              | 10                       | 25                         | 3100                             | 3                   | 125                    |
| 16            | 330               | X/7343-43               | T521X337M016A(1)E050         | 528                              | 10                       | 50                         | 2200                             | 3                   | 125                    |
| 16            | 330               | H/7360-20               | T523H337M016APE070           | 528                              | 10                       | 70                         | 2510                             | 3                   | 85                     |
| 20            | 10                | B/3528-21               | T521B106M020A(1)E100         | 20                               | 8                        | 100                        | 1100                             | 3                   | 105                    |
| 20            | 15                | B/3528-21               | T521B156M020A(1)E090         | 30                               | 10                       | 90                         | 1200                             | 3                   | 105                    |
| 20            | 22                | B/3528-21               | T521B226M020A(1)E090         | 44                               | 8                        | 90                         | 1200                             | 3                   | 105                    |
| 20            | 22                | V/7343-19               | T520V226M020A(1)E040         | 44                               | 10                       | 40                         | 2200                             | 3                   | 105                    |
| 20            | 22                | V/7343-19               | T520V226M020A(1)E045         | 44                               | 10                       | 45                         | 2000                             | 3                   | 105                    |
| 20            | 22                | V/7343-19               | <b>T520V226M020A(1)E090</b>  | <b>44</b>                        | <b>10</b>                | <b>90</b>                  | <b>1400</b>                      | <b>3</b>            | <b>105</b>             |
| 20            | 22                | V/7343-19               | T521V226M020A(1)E090         | 44                               | 10                       | 90                         | 1400                             | 3                   | 125                    |
| 20            | 47                | W/7343-15               | T521W476M020A(1)E040         | 94                               | 9                        | 40                         | 2100                             | 3                   | 105                    |
| 20            | 47                | W/7343-15               | T521W476M020A(1)E045         | 94                               | 9                        | 45                         | 2000                             | 3                   | 105                    |
| 20            | 47                | V/7343-19               | T521V476M020A(1)E090         | 94                               | 10                       | 90                         | 1400                             | 3                   | 125                    |
| 20            | 47                | V/7343-19               | T521V476M020A(1)E080         | 94                               | 10                       | 80                         | 1500                             | 3                   | 125                    |
| 20            | 47                | V/7343-19               | T521V476M020A(1)E055         | 94                               | 10                       | 55                         | 1800                             | 3                   | 125                    |
| 20            | 47                | D/7343-31               | T521D476M020A(1)E055         | 94                               | 10                       | 55                         | 2000                             | 3                   | 125                    |
| 20            | 47                | D/7343-31               | T521D476M020A(1)E040         | 94                               | 10                       | 40                         | 2400                             | 3                   | 125                    |
| 20            | 68                | V/7343-19               | T521V686M020A(1)E050         | 136                              | 10                       | 50                         | 1900                             | 3                   | 105                    |
| 20            | 100               | V/7343-19               | T521V107M020A(1)E055         | 200                              | 10                       | 55                         | 1800                             | 3                   | 125                    |
| 20            | 100               | D/7343-31               | T521D107M020A(1)E055         | 200                              | 10                       | 55                         | 2000                             | 3                   | 105                    |
| 25            | 4.7               | P/2012-10               | T529P475M025AAE300           | 35.3                             | 10                       | 300                        | 289                              | 3                   | 105                    |
| 25            | 10                | B/3528-21               | T521B106M025A(1)E100         | 25                               | 8                        | 100                        | 1100                             | 3                   | 105                    |
| 25            | 10                | T/3528-12               | T521T106M025A(1)E100         | 25                               | 8                        | 100                        | 1000                             | 3                   | 125                    |
| 25            | 10                | T/3528-12               | T521T106M025A(1)E060         | 25                               | 8                        | 60                         | 1300                             | 3                   | 125                    |
| 25            | 15                | B/3528-21               | T521B156M025A(1)E100         | 37.5                             | 8                        | 100                        | 1100                             | 3                   | 105                    |
| 25            | 15                | V/7343-19               | <b>T520V156M025A(1)E090</b>  | <b>37.5</b>                      | <b>10</b>                | <b>90</b>                  | <b>1400</b>                      | <b>3</b>            | <b>105</b>             |
| 25            | 15                | V/7343-19               | T521V156M025A(1)E090         | 37.5                             | 10                       | 90                         | 1400                             | 3                   | 105                    |
| 25            | 15                | V/7343-19               | T521V156M025A(1)E040         | 37.5                             | 10                       | 40                         | 2200                             | 3                   | 105                    |
| 25            | 15                | D/7343-31               | T520D156M025A(1)E060         | 37.5                             | 10                       | 60                         | 1900                             | 3                   | 105                    |
| 25            | 15                | D/7343-31               | T520D156M025A(1)E080         | 37.5                             | 10                       | 80                         | 1700                             | 3                   | 105                    |
| 25            | 22                | B/3528-21               | T521B226M025A(1)E100         | 55                               | 8                        | 100                        | 1100                             | 3                   | 105                    |
| 25            | 22                | W/7343-15               | T521W226M025A(1)E040         | 55                               | 10                       | 40                         | 2100                             | 3                   | 105                    |
| 25            | 22                | W/7343-15               | T521W226M025A(1)E070         | 55                               | 10                       | 70                         | 1400                             | 3                   | 105                    |
| 25            | 22                | V/7343-19               | T521V226M025A(1)E040         | 55                               | 10                       | 40                         | 2200                             | 3                   | 105                    |
| 25            | 22                | V/7343-19               | T521V226M025A(1)E045         | 55                               | 10                       | 45                         | 2000                             | 3                   | 105                    |
| 25            | 22                | V/7343-19               | T521V226M025A(1)E060         | 55                               | 10                       | 60                         | 1800                             | 3                   | 105                    |
| VDC at 105°C  | µF                | KEMET/EIA               | (See below for part options) | µA at 25°C Maximum/<br>5 Minutes | % at 25°C 120 Hz Maximum | mΩ at 25°C 100 kHz Maximum | mA at +45°C 100 kHz              | Reflow Temp ≤ 260°C | °C                     |
| Rated Voltage | Rated Capacitance | Case Code/<br>Case Size | KEMET Part Number            | DC Leakage                       | DF                       | ESR                        | Maximum Allowable Ripple Current | MSL                 | Maximum Operating Temp |

(1) To complete KEMET part number, insert T = 100% Matte Tin (Sn) Plated, H = Standard Solder coated (SnPb 5% Pb minimum), N = Non-Magnetic 100% Tin (Sn), M = Non-Magnetic (SnPb). Refer to Ordering Information for additional detail.

(2) To complete KEMET part number, insert M for ± 20% or K for ± 10%. Designates Capacitance tolerance.

Higher voltage ratings and tighter ESR may be substituted within the same size at KEMET's option. Voltage substitutions will be marked with the higher voltage rating. Substitutions can include better than series.

**Part numbers marked in blue font are not recommended for new designs. Please use the T521 series instead.**

**Part numbers marked in orange font are not recommended for new designs. Please contact your KEMET representative for a replacement part.**

^ Denotes the large reel (13") is not available.

Refer to Ordering Information for additional detail.

**Table 1 – Ratings & Part Number Reference cont'd**

| Rated Voltage | Rated Capacitance | Case Code/<br>Case Size | KEMET Part Number            | DC Leakage                    | DF                       | ESR                        | Maximum Allowable Ripple Current | MSL                 | Maximum Operating Temp |
|---------------|-------------------|-------------------------|------------------------------|-------------------------------|--------------------------|----------------------------|----------------------------------|---------------------|------------------------|
| VDC at 105°C  | µF                | KEMET/EIA               | (See below for part options) | µA at 25°C Maximum/ 5 Minutes | % at 25°C 120 Hz Maximum | mΩ at 25°C 100 kHz Maximum | mA at +45°C 100 kHz              | Reflow Temp ≤ 260°C | °C                     |
| 25            | 22                | V/7343-19               | T521V226M025A(1)E090         | 55                            | 10                       | 90                         | 1400                             | 3                   | 105                    |
| 25            | 33                | V/7343-19               | T521V336M025A(1)E025         | 82.5                          | 10                       | 25                         | 2700                             | 3                   | 105                    |
| 25            | 33                | V/7343-19               | T521V336M025A(1)E060         | 82.5                          | 10                       | 60                         | 1800                             | 3                   | 105                    |
| 25            | 33                | V/7343-19               | T521V336M025A(1)E040         | 82.5                          | 10                       | 40                         | 2200                             | 3                   | 105                    |
| 25            | 33                | D/7343-31               | T521D336M025A(1)E040         | 82.5                          | 10                       | 40                         | 2400                             | 3                   | 105                    |
| 25            | 33                | D/7343-31               | T521D336M025A(1)E060         | 82.5                          | 10                       | 60                         | 1900                             | 3                   | 105                    |
| 25            | 47                | D/7343-31               | T521D476M025A(1)E065         | 117.5                         | 10                       | 65                         | 1900                             | 3                   | 105                    |
| 25            | 68                | D/7343-31               | T521D686M025A(1)E070         | 170                           | 10                       | 70                         | 1800                             | 3                   | 105                    |
| 25            | 100               | D/7343-31               | T521D107M025A(1)E040         | 250                           | 10                       | 40                         | 2400                             | 3                   | 105                    |
| 25            | 100               | D/7343-31               | T521D107M025A(1)E060         | 250                           | 10                       | 60                         | 1900                             | 3                   | 105                    |
| 25            | 100               | X/7343-43               | T521X107M025A(1)E030         | 250                           | 10                       | 30                         | 2900                             | 3                   | 105                    |
| 25            | 100               | X/7343-43               | T521X107M025A(1)E060         | 250                           | 10                       | 60                         | 2000                             | 3                   | 105                    |
| 35            | 3.3               | B/3528-21               | T521B335M035A(1)E150         | 11.6                          | 8                        | 150                        | 900                              | 3                   | 105                    |
| 35            | 3.3               | B/3528-21               | T521B335M035A(1)E200         | 11.6                          | 8                        | 200                        | 800                              | 3                   | 105                    |
| 35            | 4.7               | B/3528-21               | T521B475M035A(1)E150         | 16.5                          | 8                        | 150                        | 900                              | 3                   | 105                    |
| 35            | 4.7               | B/3528-21               | T521B475M035A(1)E200         | 16.5                          | 8                        | 200                        | 800                              | 3                   | 105                    |
| 35            | 6.8               | T/3528-12               | T521T685M035APE090           | 23.8                          | 10                       | 90                         | 1100                             | 3                   | 125                    |
| 35            | 6.8               | B/3528-21               | T521B685M035A(1)E150         | 23.8                          | 8                        | 150                        | 900                              | 3                   | 105                    |
| 35            | 6.8               | B/3528-21               | T521B685M035A(1)E200         | 23.8                          | 8                        | 200                        | 800                              | 3                   | 105                    |
| 35            | 10                | B/3528-21               | T521B106M035A(1)E150         | 35                            | 8                        | 150                        | 900                              | 3                   | 105                    |
| 35            | 10                | B/3528-21               | T521B106M035A(1)E200         | 35                            | 8                        | 200                        | 800                              | 3                   | 105                    |
| 35            | 10                | V/7343-19               | T521V106M035A(1)E120         | 35                            | 10                       | 120                        | 1200                             | 3                   | 125                    |
| 35            | 15                | V/7343-19               | T521V156M035A(1)E100         | 52.5                          | 10                       | 100                        | 1400                             | 3                   | 125                    |
| 35            | 15                | V/7343-19               | T521V156M035A(1)E125         | 52.5                          | 10                       | 125                        | 1200                             | 3                   | 125                    |
| 35            | 22                | D/7343-31               | T521D226M035A(1)E040         | 77                            | 10                       | 40                         | 2400                             | 3                   | 125                    |
| 35            | 22                | D/7343-31               | T521D226M035A(1)E060         | 77                            | 10                       | 60                         | 1900                             | 3                   | 125                    |
| 35            | 33                | D/7343-31               | T521D336M035A(1)E065         | 115.5                         | 10                       | 65                         | 1900                             | 3                   | 125                    |
| 35            | 47                | X/7343-43               | T521X476M035A(1)E030         | 164.5                         | 10                       | 30                         | 2900                             | 3                   | 125                    |
| 35            | 47                | X/7343-43               | T521X476M035A(1)E070         | 164.5                         | 10                       | 70                         | 1900                             | 3                   | 125                    |
| 35            | 47                | W/7343-15               | T523W476(2)035APE090         | 164.5                         | 10                       | 90                         | 2100                             | 3                   | 85                     |
| 35            | 47                | W/7343-15               | T523W476(2)035APE100         | 164.5                         | 10                       | 100                        | 1988                             | 3                   | 85                     |
| 50            | 0.68              | B/3528-21               | T521B684M050A(1)E200         | 3.4                           | 8                        | 200                        | 800                              | 3                   | 105                    |
| 50            | 1                 | B/3528-21               | T521B105M050A(1)E200         | 5                             | 8                        | 200                        | 800                              | 3                   | 105                    |
| 50            | 1.5               | B/3528-21               | T521B155M050A(1)E200         | 7.5                           | 8                        | 200                        | 800                              | 3                   | 105                    |
| 50            | 2.2               | B/3528-21               | T521B225M050A(1)E200         | 11                            | 8                        | 200                        | 800                              | 3                   | 105                    |
| 50            | 5.6               | D/7343-31               | T521D565M050A(1)E070         | 28                            | 10                       | 70                         | 1800                             | 3                   | 125                    |
| 50            | 5.6               | D/7343-31               | T521D565M050A(1)E090         | 28                            | 10                       | 90                         | 1600                             | 3                   | 125                    |
| 50            | 5.6               | V/7343-19               | T521V565M050A(1)E070         | 28                            | 10                       | 70                         | 1800                             | 3                   | 125                    |
| 50            | 5.6               | V/7343-19               | T521V565M050A(1)E090         | 28                            | 10                       | 90                         | 1600                             | 3                   | 125                    |
| 50            | 6.8               | D/7343-31               | T521D685M050A(1)E070         | 34                            | 10                       | 70                         | 1800                             | 3                   | 125                    |
| 50            | 6.8               | D/7343-31               | T521D685M050A(1)E090         | 34                            | 10                       | 90                         | 1600                             | 3                   | 125                    |
| 50            | 6.8               | V/7343-19               | T521V685M050A(1)E070         | 34                            | 10                       | 70                         | 1800                             | 3                   | 125                    |
| 50            | 6.8               | V/7343-19               | T521V685M050A(1)E090         | 34                            | 10                       | 90                         | 1600                             | 3                   | 125                    |
| VDC at 105°C  | µF                | KEMET/EIA               | (See below for part options) | µA at 25°C Maximum/ 5 Minutes | % at 25°C 120 Hz Maximum | mΩ at 25°C 100 kHz Maximum | mA at +45°C 100 kHz              | Reflow Temp ≤ 260°C | °C                     |
| Rated Voltage | Rated Capacitance | Case Code/<br>Case Size | KEMET Part Number            | DC Leakage                    | DF                       | ESR                        | Maximum Allowable Ripple Current | MSL                 | Maximum Operating Temp |

(1) To complete KEMET part number, insert T = 100% Matte Tin (Sn) Plated, H = Standard Solder coated (SnPb 5% Pb minimum), N = Non-Magnetic 100% Tin (Sn), M = Non-Magnetic (SnPb). Refer to Ordering Information for additional detail.

(2) To complete KEMET part number, insert M for ± 20% or K for ± 10%. Designates Capacitance tolerance.

Higher voltage ratings and tighter ESR may be substituted within the same size at KEMET's option. Voltage substitutions will be marked with the higher voltage rating. Substitutions can include better than series.

**Part numbers marked in blue font are not recommended for new designs. Please use the T521 series instead.**

**Part numbers marked in orange font are not recommended for new designs. Please contact your KEMET representative for a replacement part.**

^ Denotes the large reel (13") is not available.

Refer to Ordering Information for additional detail.

**Table 1 – Ratings & Part Number Reference cont'd**

| Rated Voltage | Rated Capacitance | Case Code/<br>Case Size | KEMET Part Number            | DC Leakage                       | DF                       | ESR                        | Maximum Allowable Ripple Current | MSL                 | Maximum Operating Temp |
|---------------|-------------------|-------------------------|------------------------------|----------------------------------|--------------------------|----------------------------|----------------------------------|---------------------|------------------------|
| VDC at 105°C  | µF                | KEMET/EIA               | (See below for part options) | µA at 25°C Maximum/<br>5 Minutes | % at 25°C 120 Hz Maximum | mΩ at 25°C 100 kHz Maximum | mA at +45°C 100 kHz              | Reflow Temp ≤ 260°C | °C                     |
| 50            | 10                | D/7343-31               | T521D106M050A(1)E090         | 50                               | 10                       | 90                         | 1600                             | 3                   | 125                    |
| 50            | 10                | D/7343-31               | T521D106M050A(1)E120         | 50                               | 10                       | 120                        | 1369                             | 3                   | 125                    |
| 50            | 10                | V/7343-19               | T521V106M050A(1)E090         | 50                               | 10                       | 90                         | 1600                             | 3                   | 125                    |
| 50            | 18                | D/7343-31               | T521D186M050A(1)E090         | 90                               | 10                       | 90                         | 1600                             | 3                   | 125                    |
| 50            | 18                | X/7343-43               | T521X186M050A(1)E070         | 90                               | 10                       | 70                         | 1900                             | 3                   | 125                    |
| 50            | 18                | X/7343-43               | T521X186M050A(1)E050         | 90                               | 10                       | 50                         | 2200                             | 3                   | 125                    |
| 50            | 18                | X/7343-43               | T521X186M050A(1)E035         | 90                               | 10                       | 35                         | 2700                             | 3                   | 125                    |
| 50            | 22                | D/7343-31               | T521D226M050A(1)E090         | 110                              | 10                       | 90                         | 1600                             | 3                   | 125                    |
| 50            | 22                | X/7343-43               | T521X226M050A(1)E075         | 110                              | 10                       | 75                         | 1815                             | 3                   | 125                    |
| 50            | 22                | X/7343-43               | T521X226M050A(1)E050         | 110                              | 10                       | 50                         | 2200                             | 3                   | 125                    |
| 50            | 33                | X/7343-43               | T521X336M050A(1)E075         | 165                              | 10                       | 75                         | 1815                             | 3                   | 125                    |
| 50            | 33                | X/7343-43               | T521X336M050A(1)E050         | 165                              | 10                       | 50                         | 2200                             | 3                   | 125                    |
| 63            | 0.68              | B/3528-21               | T521B684M063A(1)E200         | 4.3                              | 8                        | 200                        | 800                              | 3                   | 105                    |
| 63            | 1                 | B/3528-21               | T521B105M063A(1)E200         | 6.3                              | 8                        | 200                        | 800                              | 3                   | 105                    |
| 63            | 1.5               | B/3528-21               | T521B155M063A(1)E200         | 9.5                              | 8                        | 200                        | 800                              | 3                   | 105                    |
| 63            | 4.7               | C/6032-28               | T521C475M063A(1)E200         | 29.6                             | 6                        | 200                        | 900                              | 3                   | 105                    |
| 63            | 4.7               | D/7343-31               | T521D475M063A(1)E300         | 29.61                            | 10                       | 300                        | 900                              | 3                   | 125                    |
| 63            | 4.7               | D/7343-31               | T521D475M063A(1)E075         | 29.6                             | 10                       | 75                         | 1700                             | 3                   | 125                    |
| 63            | 6.8               | X/7343-43               | T521D685M063A(1)E075         | 42.8                             | 10                       | 75                         | 1700                             | 3                   | 125                    |
| 63            | 10                | X/7343-43               | T521X106M063A(1)E050         | 63                               | 10                       | 50                         | 2200                             | 3                   | 125                    |
| 63            | 15                | X/7343-43               | T521X156M063A(1)E035         | 94.5                             | 10                       | 35                         | 2600                             | 3                   | 125                    |
| 63            | 15                | X/7343-43               | T521X156M063A(1)E150         | 94.5                             | 10                       | 150                        | 1300                             | 3                   | 125                    |
| 63            | 22                | X/7343-43               | T521X226M063A(1)E075         | 138.6                            | 10                       | 75                         | 1815                             | 3                   | 125                    |
| 75            | 4.7               | D/7343-31               | T521D475M075A(1)E075         | 35.3                             | 10                       | 75                         | 1700                             | 3                   | 125                    |
| 75            | 10                | X/7343-43               | T521X106M075A(1)E050         | 75                               | 10                       | 50                         | 2200                             | 3                   | 125                    |
| 75            | 15                | X/7343-43               | T521X156M075A(1)E035         | 112.5                            | 10                       | 35                         | 2600                             | 3                   | 125                    |
| VDC at 105°C  | µF                | KEMET/EIA               | (See below for part options) | µA at 25°C Maximum/<br>5 Minutes | % at 25°C 120 Hz Maximum | mΩ at 25°C 100 kHz Maximum | mA at +45°C 100 kHz              | Reflow Temp ≤ 260°C | °C                     |
| Rated Voltage | Rated Capacitance | Case Code/<br>Case Size | KEMET Part Number            | DC Leakage                       | DF                       | ESR                        | Maximum Allowable Ripple Current | MSL                 | Maximum Operating Temp |

(1) To complete KEMET part number, insert T = 100% Matte Tin (Sn) Plated, H = Standard Solder coated (SnPb 5% Pb minimum), N = Non-Magnetic 100% Tin (Sn), M = Non-Magnetic (SnPb). Refer to Ordering Information for additional detail.

(2) To complete KEMET part number, insert M for ± 20% or K for ± 10%. Designates Capacitance tolerance.

Higher voltage ratings and tighter ESR may be substituted within the same size at KEMET's option. Voltage substitutions will be marked with the higher voltage rating. Substitutions can include better than series.

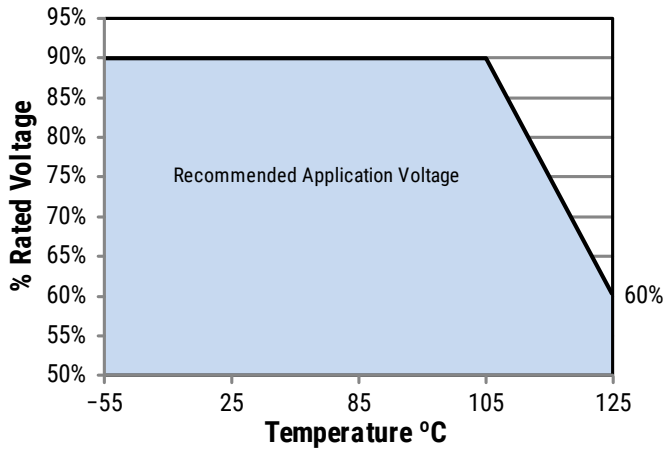
Part numbers marked in blue font are not recommended for new designs. Please use the T521 series instead.

Part numbers marked in orange font are not recommended for new designs. Please contact your KEMET representative for a replacement part.

^ Denotes the large reel (13") is not available.

Refer to Ordering Information for additional detail.

## Derating Guidelines



### Recommended Application Voltage

KOCAP's are solid state capacitors that demonstrate no wearout mechanism when operated within their recommended guidelines. While the KOCAP can be operated at full rated voltage, most circuit designers seek a minimum level of assurance in long term reliability which should be demonstrated with data. A voltage derating can provide the desired level of demonstrated reliability based on industry accepted acceleration models. Since most applications do require long term reliability, KEMET recommends that designers consider a voltage derating, according to the graphic above, for the maximum steady state voltage.

| Voltage Rating        | Maximum Recommended Steady State Voltage |                       |
|-----------------------|------------------------------------------|-----------------------|
|                       | -55°C to 105°C                           | 105°C to 125°C        |
| 75 V ≤ V <sub>R</sub> | 90% of V <sub>R</sub>                    | 60% of V <sub>R</sub> |

V<sub>R</sub> = Rated Voltage

## Ripple Current/Ripple Voltage

Permissible AC ripple voltage and current are related to equivalent series resistance (ESR) and the power dissipation capabilities of the device. Permissible AC ripple voltage which may be applied is limited by two criteria:

- The positive peak AC voltage plus the DC bias voltage, if any, must not exceed the DC voltage rating of the capacitor.
- The negative peak AC voltage, in combination with bias voltage, if any, must not exceed the allowable limits specified for reverse voltage.

The maximum power dissipation must be reduced with increasing environmental operating temperatures. Refer to the table below for temperature compensation requirements.

| Temperature Compensation Multipliers for Maximum Ripple Current |                 |                  |
|-----------------------------------------------------------------|-----------------|------------------|
| T ≤ 45°C                                                        | 45°C < T ≤ 85°C | 85°C < T ≤ 125°C |
| 1.00                                                            | 0.70            | 0.25             |

T = Environmental Temperature

## Surge Voltage

Surge voltage is the maximum voltage (peak value) which may be applied to the capacitor. The surge voltage must not be applied for periodic charging and discharging in course of normal operation and cannot be part of the application voltage. Surge voltage capability is demonstrated by application of 1,000 cycles at operating temperature. The parts are charged through a 33 Ohm resistor for 30 seconds and then discharged through a 33 Ohm resistor for each cycle.

| Rated Voltage (V) | Surge Voltage (V) | Derated Voltage (V) | Derated Surge Voltage (V) |
|-------------------|-------------------|---------------------|---------------------------|
| -55°C to 105°C    |                   | Up to 125°C         |                           |
| 2.5               | 3.3               | 1.7                 | 2.2                       |
| 6.3               | 8.2               | 4.2                 | 5.5                       |
| 10                | 13.0              | 6.7                 | 8.7                       |
| 16                | 20.8              | 10.7                | 13.9                      |
| 20                | 26.0              | 13.4                | 17.4                      |
| 25                | 32.5              | 16.8                | 21.8                      |
| 35                | 45.5              | 23.5                | 30.5                      |
| 50                | 65.0              | 33.5                | 43.6                      |

## Reverse Voltage

Polymer electrolytic capacitors are polar devices and may be permanently damaged or destroyed if connected in the wrong polarity. These devices will withstand a small degree of transient voltage reversal for short periods as shown in the below table.

| Temperature | Permissible Transient Reverse Voltage |
|-------------|---------------------------------------|
| 25°C        | 15% of Rated Voltage                  |
| 55°C        | 10% of Rated Voltage                  |
| 85°C        | 5% of Rated Voltage                   |
| 105°C       | 3% of Rated Voltage                   |
| 125°C*      | 1% of Rated Voltage                   |

\*For series rated to 125°C

**Table 2 – Land Dimensions/Courtyard**

T520/T521/T523/T525/T530

| KEMET          | Metric Size Code | Density Level A:<br>Maximum (Most) Land Protrusion (mm) |      |      |       |      | Density Level B:<br>Median (Nominal) Land Protrusion (mm) |      |      |      |      | Density Level C:<br>Minimum (Least) Land Protrusion (mm) |      |      |      |      |
|----------------|------------------|---------------------------------------------------------|------|------|-------|------|-----------------------------------------------------------|------|------|------|------|----------------------------------------------------------|------|------|------|------|
|                |                  | Case                                                    | EIA  | W    | L     | S    | V1                                                        | V2   | W    | L    | S    | V1                                                       | V2   | W    | L    | S    |
| A              | 3216-18          | 1.35                                                    | 2.20 | 0.62 | 6.02  | 2.80 | 1.23                                                      | 1.80 | 0.82 | 4.92 | 2.30 | 1.13                                                     | 1.42 | 0.98 | 4.06 | 2.04 |
| B              | 3528-21          | 2.35                                                    | 2.21 | 0.92 | 6.32  | 4.00 | 2.23                                                      | 1.80 | 1.12 | 5.22 | 3.50 | 2.13                                                     | 1.42 | 1.28 | 4.36 | 3.24 |
| C              | 6032-28          | 2.35                                                    | 2.77 | 2.37 | 8.92  | 4.50 | 2.23                                                      | 2.37 | 2.57 | 7.82 | 4.00 | 2.13                                                     | 1.99 | 2.73 | 6.96 | 3.74 |
| D              | 7343-31          | 2.55                                                    | 2.77 | 3.67 | 10.22 | 5.60 | 2.43                                                      | 2.37 | 3.87 | 9.12 | 5.10 | 2.33                                                     | 1.99 | 4.03 | 8.26 | 4.84 |
| H              | 7360-20          | 4.25                                                    | 2.77 | 3.67 | 10.22 | 7.30 | 4.13                                                      | 2.37 | 3.87 | 9.12 | 6.80 | 4.03                                                     | 1.99 | 4.03 | 8.26 | 6.54 |
| J              | 7360-15          | 4.60                                                    | 3.07 | 3.07 | 10.22 | 7.30 | 4.48                                                      | 2.67 | 3.27 | 9.12 | 6.80 | 4.38                                                     | 2.29 | 3.43 | 8.26 | 6.54 |
| L              | 6032-19          | 2.35                                                    | 2.77 | 2.37 | 8.92  | 4.50 | 2.23                                                      | 2.37 | 2.57 | 7.82 | 4.00 | 2.13                                                     | 1.99 | 2.73 | 6.96 | 3.74 |
| M              | 3528-15          | 2.35                                                    | 2.20 | 0.92 | 6.32  | 4.00 | 2.23                                                      | 1.80 | 1.12 | 5.22 | 3.50 | 2.13                                                     | 1.42 | 1.28 | 4.36 | 3.24 |
| Q              | 7343-12          | 2.55                                                    | 2.77 | 3.67 | 10.22 | 5.60 | 2.43                                                      | 2.37 | 3.87 | 9.12 | 5.10 | 2.33                                                     | 1.99 | 4.03 | 8.26 | 4.84 |
| T              | 3528-12          | 2.35                                                    | 2.20 | 0.92 | 6.32  | 4.00 | 2.23                                                      | 1.80 | 1.12 | 5.22 | 3.50 | 2.13                                                     | 1.42 | 1.28 | 4.36 | 3.24 |
| U              | 6032-15          | 2.35                                                    | 2.77 | 2.37 | 8.92  | 4.50 | 2.23                                                      | 2.37 | 2.57 | 7.82 | 4.00 | 2.13                                                     | 1.99 | 2.73 | 6.96 | 3.74 |
| V              | 7343-21          | 2.55                                                    | 2.77 | 3.67 | 10.22 | 5.60 | 2.43                                                      | 2.37 | 3.87 | 9.12 | 5.10 | 2.33                                                     | 1.99 | 4.03 | 8.26 | 4.84 |
| W              | 7343-15          | 2.55                                                    | 2.77 | 3.67 | 10.22 | 5.60 | 2.43                                                      | 2.37 | 3.87 | 9.12 | 5.10 | 2.33                                                     | 1.99 | 4.03 | 8.26 | 4.84 |
| X <sup>1</sup> | 7343-43          | 2.55                                                    | 2.77 | 3.67 | 10.22 | 5.60 | 2.43                                                      | 2.37 | 3.87 | 9.12 | 5.10 | 2.33                                                     | 1.99 | 4.03 | 8.26 | 4.84 |
| Y <sup>1</sup> | 7343-40          | 2.55                                                    | 2.77 | 3.67 | 10.22 | 5.60 | 2.43                                                      | 2.37 | 3.87 | 9.12 | 5.10 | 2.33                                                     | 1.99 | 4.03 | 8.26 | 4.84 |

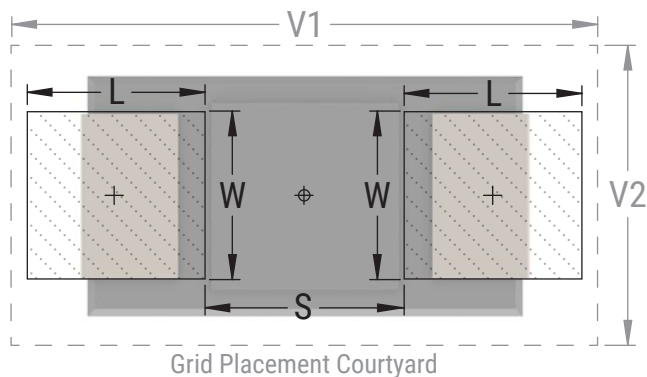
**Density Level A:** For low-density product applications. Recommended for wave solder applications and provides a wider process window for reflow solder processes.

**Density Level B:** For products with a moderate level of component density. Provides a robust solder attachment condition for reflow solder processes.

**Density Level C:** For high component density product applications. Before adapting the minimum land pattern variations the user should perform qualification testing based on the conditions outlined in IPC standard 7351 (IPC-7351).

<sup>1</sup> Height of these chips may create problems in wave soldering.

<sup>2</sup> Land pattern geometry is too small for silkscreen outline.

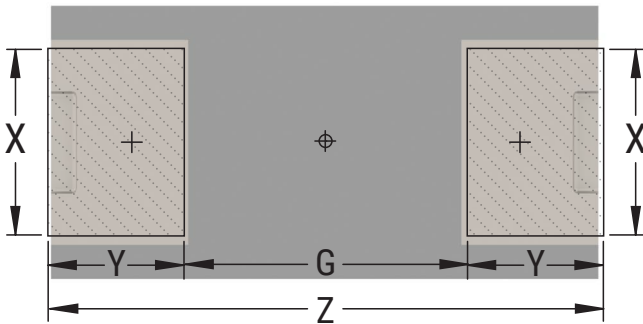


**Table 2 – Land Dimensions/Courtyard cont'd**

T527

| KEMET | Metric Size Code | Dimensions (mm)   |             |            |            |
|-------|------------------|-------------------|-------------|------------|------------|
|       |                  | Minimum – Maximum |             |            |            |
| Case  | EIA              | G                 | Z           | X          | Y          |
| I     | 3216-10          | 1.00 – 1.65       | 3.25 – 3.80 | 1.1 – 1.30 | 0.8 – 1.40 |

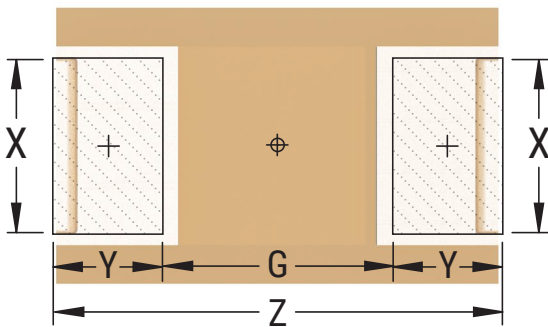
(JEITA RC-2371 is recommended for reference)



T529

| KEMET | Metric Size Code | Dimensions (mm)   |             |             |            |
|-------|------------------|-------------------|-------------|-------------|------------|
|       |                  | Minimum – Maximum |             |             |            |
| Case  | EIA              | G                 | Z           | X           | Y          |
| I     | 3216-10          | 1.00 – 1.65       | 3.25 – 3.80 | 1.1 – 1.30  | 0.8 – 1.40 |
| P     | 2012-10          | 0.40 – 1.05       | 2.05 – 2.60 | 0.80 – 1.00 | 0.5 – 1.1  |

(JEITA RC-2371 is recommended for reference)



## Soldering Process

The KEMET families of surface mount capacitors are compatible with wave (single or dual), convection, IR, or vapor phase reflow techniques. Preheating of these components is recommended to avoid extreme thermal stress. KEMET's recommended profile conditions for convection and IR reflow reflect the profile conditions of the IPC/J-STD-020D standard for moisture sensitivity testing. The devices can safely withstand a maximum of three reflow passes at these conditions.

Please note that although the X/7343-43 case size can withstand wave soldering, the tall profile (4.3 mm maximum) dictates care in wave process development.

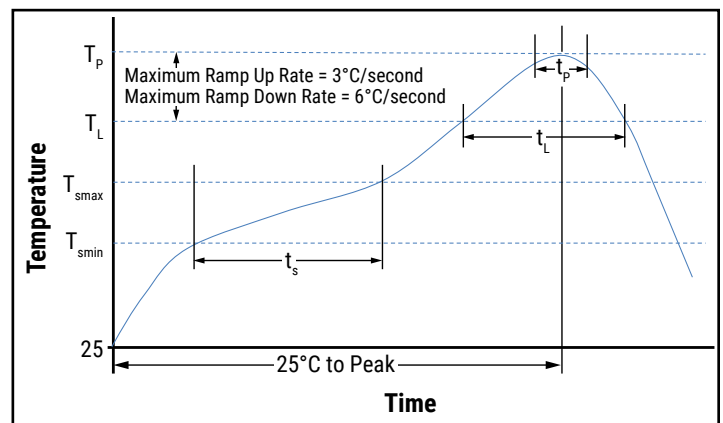
Hand soldering should be performed with care due to the difficulty in process control. If performed, care should be taken to avoid contact of the soldering iron to the molded case. The iron should be used to heat the solder pad, applying solder between the pad and the termination, until reflow occurs. Once reflow occurs, the iron should be removed immediately. "Wiping" the edges of a chip and heating the top surface is not recommended.

| Profile Feature                                       | SnPb Assembly       | Pb-Free Assembly    |
|-------------------------------------------------------|---------------------|---------------------|
| <b>Preheat/Soak</b>                                   |                     |                     |
| Temperature Minimum ( $T_{smin}$ )                    | 100°C               | 150°C               |
| Temperature Maximum ( $T_{smax}$ )                    | 150°C               | 200°C               |
| Time ( $t_s$ ) from $T_{smin}$ to $T_{smax}$          | 60 – 120 seconds    | 60 – 120 seconds    |
| Ramp-up Rate ( $T_L$ to $T_P$ )                       | 3°C/seconds maximum | 3°C/seconds maximum |
| Liquidous Temperature ( $T_L$ )                       | 183°C               | 217°C               |
| Time Above Liquidous ( $t_L$ )                        | 60 – 150 seconds    | 60 – 150 seconds    |
| Peak Temperature ( $T_P$ )                            | 220°C*<br>235°C**   | 250°C*<br>260°C**   |
| Time within 5°C of Maximum Peak Temperature ( $t_p$ ) | 20 seconds maximum  | 30 seconds maximum  |
| Ramp-down Rate ( $T_P$ to $T_L$ )                     | 6°C/seconds maximum | 6°C/seconds maximum |
| Time 25°C to Peak Temperature                         | 6 minutes maximum   | 8 minutes maximum   |

Note: All temperatures refer to the center of the package, measured on the package body surface that is facing up during assembly reflow.

\* For Case Size height > 2.5 mm

\*\* For Case Size height ≤ 2.5 mm



## Storage

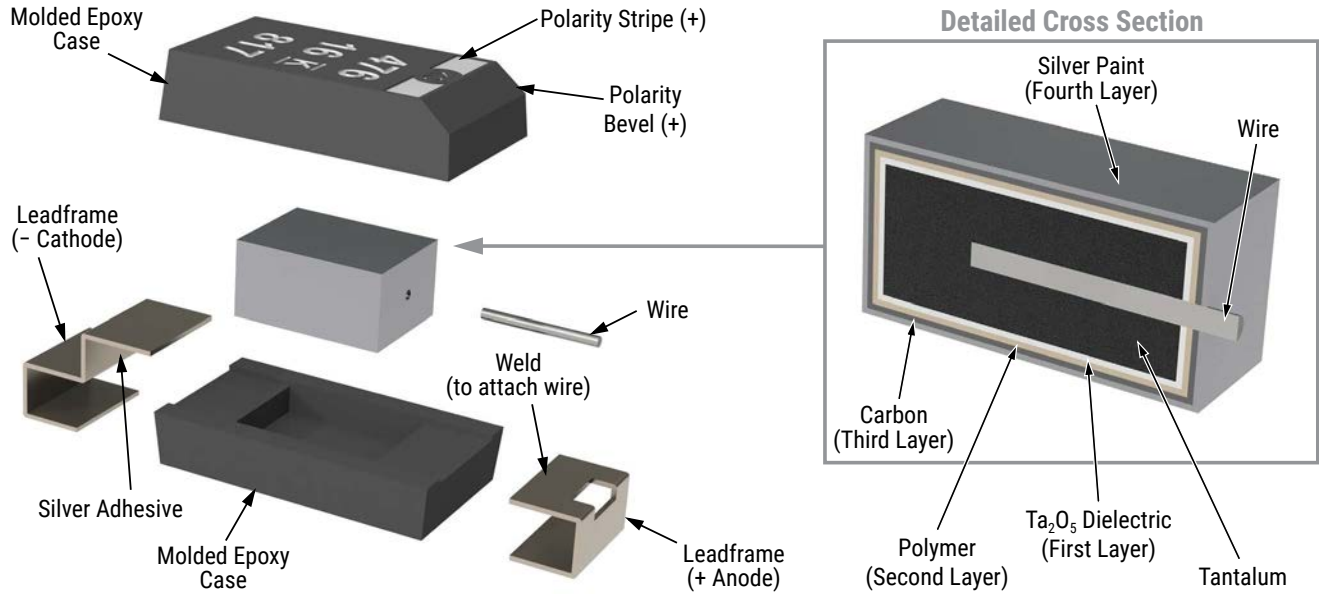
All KO-CAP Series are shipped in moisture barrier bags (MBBs) with desiccant and humidity indicator card (HIC). These parts are classified as MSL3 (Moisture Sensitivity Level 3) per IPC/JEDEC J-STD-020 and packaged per IPC/JEDEC J-STD-033. MSL3 specifies a floor time of 168H at 30°C maximum temperature and 60% relative humidity. Unused capacitors should be sealed in a MBB with fresh desiccant.

The calculated shelf life in a sealed bag would be 12 months from a bag seal date in a storage environment of < 40°C and humidity < 90% RH. It should be 24 months from a bag seal date in a storage environment of < 30°C and humidity < 70% RH.

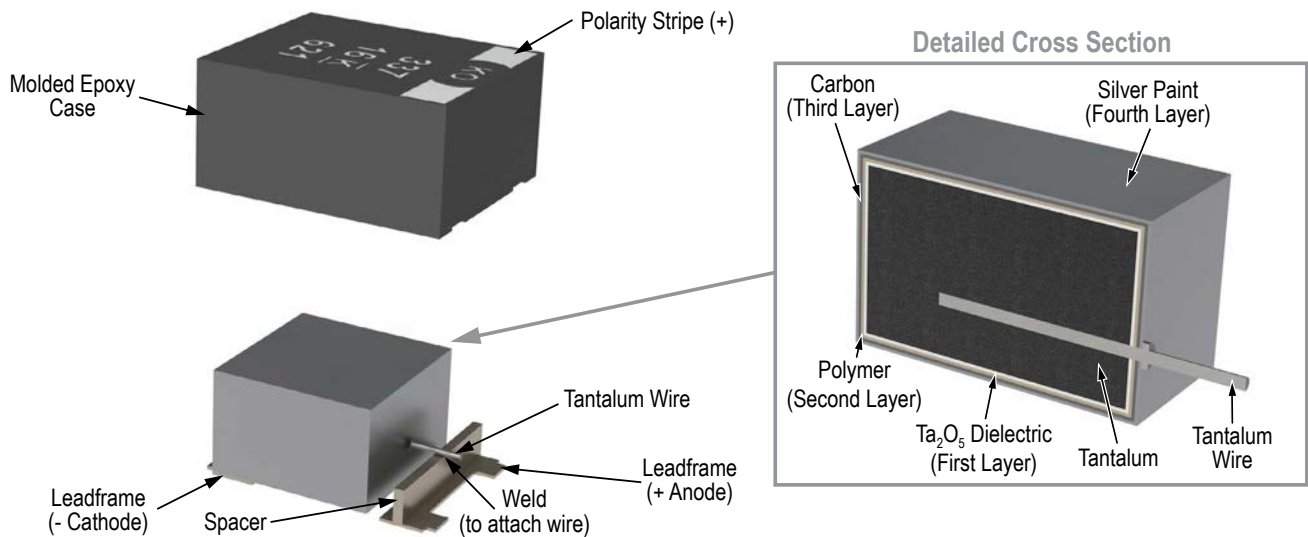
If baking is required, refer to IPC/JEDEC J-STD-033 for bake procedure.

## Construction

### T520/T521/T525/T530

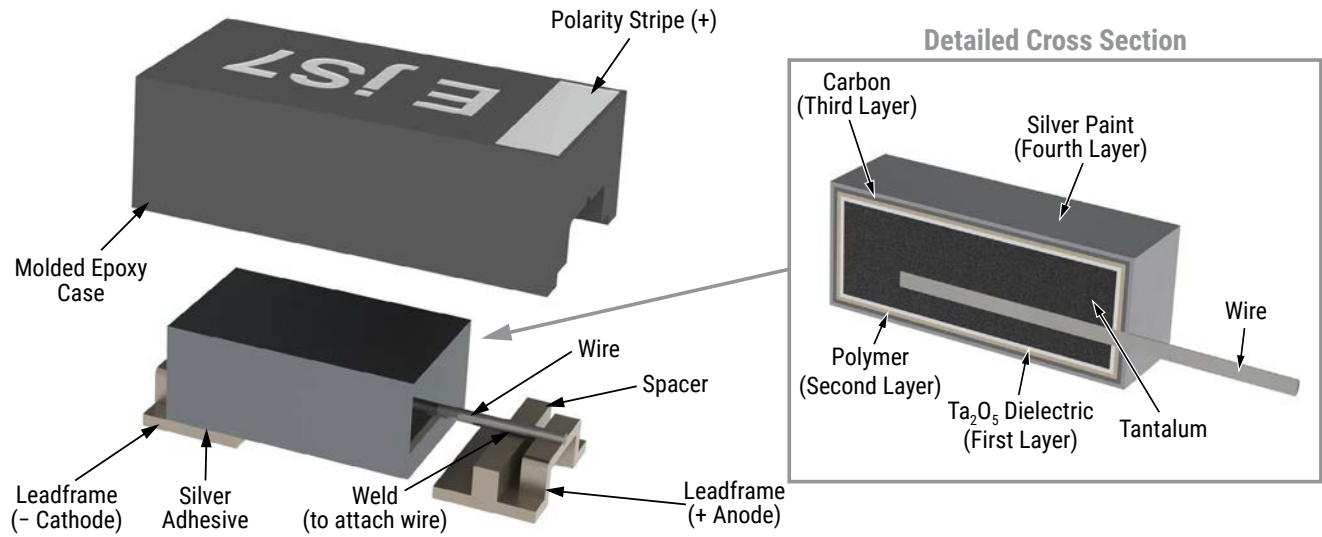


### T523

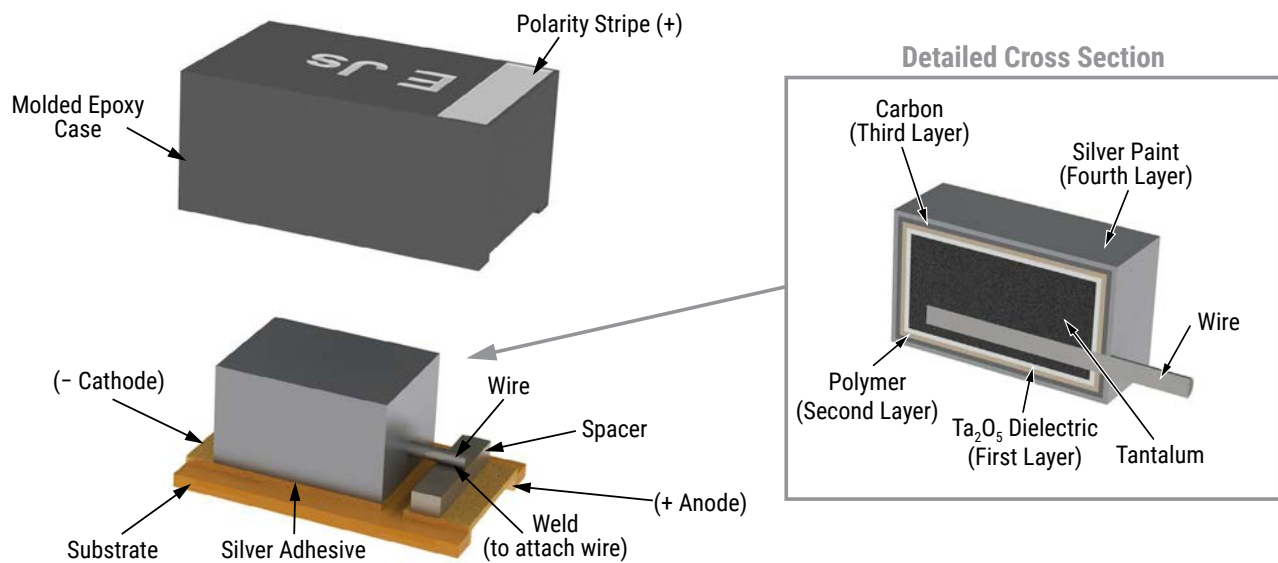


## Construction cont'd

### T527

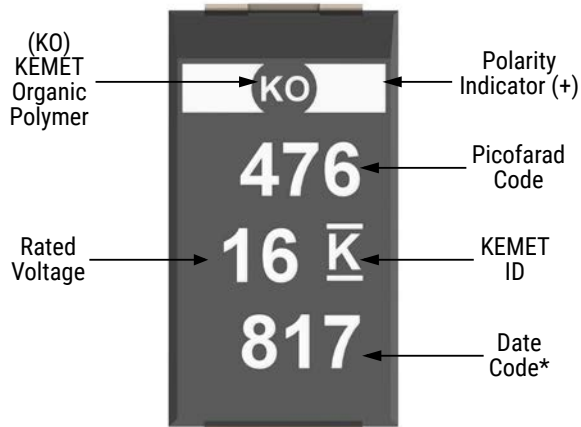


### T529



## Capacitor Marking

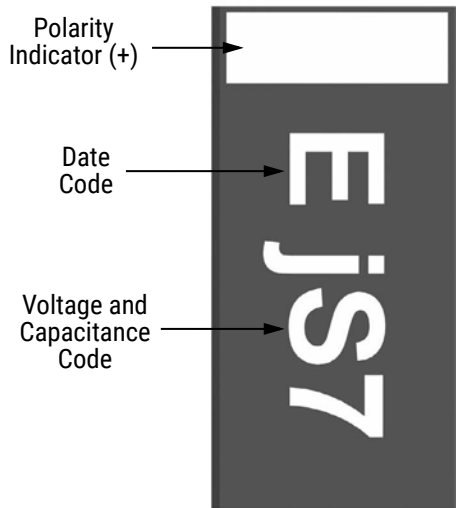
### T520/T521/T523/T525/T530



| Date Code*                                                   |                                                                                    |
|--------------------------------------------------------------|------------------------------------------------------------------------------------|
| 1 <sup>st</sup> digit = Last number of Year                  | 4 = 2014<br>5 = 2015<br>6 = 2016<br>7 = 2017<br>8 = 2018                           |
| 2 <sup>nd</sup> and 3 <sup>rd</sup> digit = Week of the Year | 01 = 1 <sup>st</sup> week of the Year to<br>52 = 52 <sup>nd</sup> week of the Year |

\* 817 = 17<sup>th</sup> week of 2018

### T520A/T527



| Code          | e     | g   | j   | A    |
|---------------|-------|-----|-----|------|
| Rated Voltage | 2.5 V | 4 V | 6 V | 10 V |

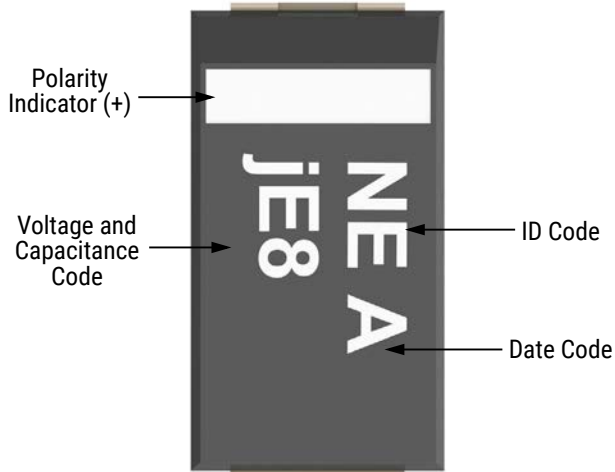
| Code        | A7 | E7 | J7 | N7 | S7 |
|-------------|----|----|----|----|----|
| Capacitance | 10 | 15 | 22 | 33 | 47 |

| Code        | W7 | A8  | E8  | J8  | N8  |
|-------------|----|-----|-----|-----|-----|
| Capacitance | 68 | 100 | 150 | 220 | 330 |

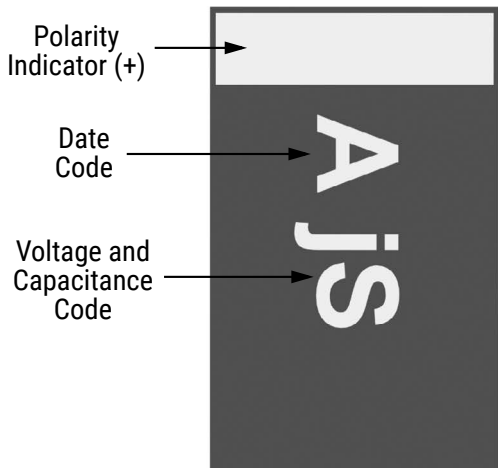
| Date Code* |     |     |     |     |     |     |     |     |     |     |     |     |
|------------|-----|-----|-----|-----|-----|-----|-----|-----|-----|-----|-----|-----|
|            | Jan | Feb | Mar | Apr | May | Jun | Jul | Aug | Sep | Oct | Nov | Dec |
| 2015       | a   | b   | c   | d   | e   | f   | g   | h   | j   | k   | l   | m   |
| 2016       | n   | p   | q   | r   | s   | t   | u   | v   | w   | x   | y   | z   |
| 2017       | A   | B   | C   | D   | E   | F   | G   | H   | J   | K   | L   | M   |
| 2018       | N   | P   | Q   | R   | S   | T   | U   | V   | W   | X   | Y   | Z   |

## Capacitor Marking cont'd

### T520B/T520T



### T529



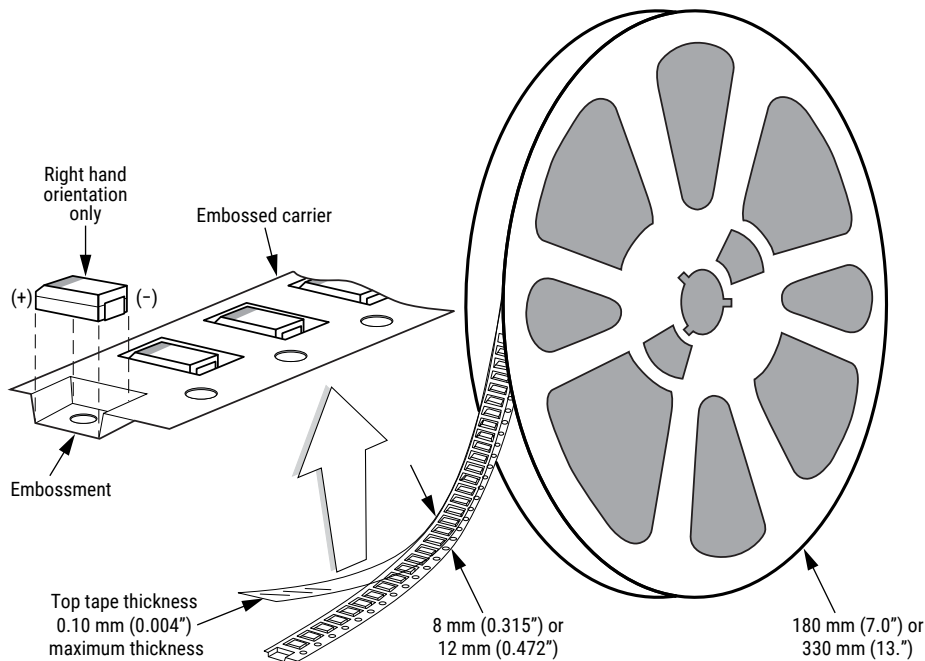
| Code          | J   | A    |
|---------------|-----|------|
| Rated Voltage | 6 V | 10 V |

| Code        | j  | s  | a   |
|-------------|----|----|-----|
| Capacitance | 22 | 47 | 100 |

| Date Code* |     |     |     |     |     |     |     |     |     |     |     |     |
|------------|-----|-----|-----|-----|-----|-----|-----|-----|-----|-----|-----|-----|
|            | Jan | Feb | Mar | Apr | May | Jun | Jul | Aug | Sep | Oct | Nov | Dec |
| 2015       | a   | b   | c   | d   | e   | f   | g   | h   | j   | k   | l   | m   |
| 2016       | n   | p   | q   | r   | s   | t   | u   | v   | w   | x   | y   | z   |
| 2017       | A   | B   | C   | D   | E   | F   | G   | H   | J   | K   | L   | M   |
| 2018       | N   | P   | Q   | R   | S   | T   | U   | V   | W   | X   | Y   | Z   |

## Tape & Reel Packaging Information

KEMET's molded chip capacitor families are packaged in 8 and 12 mm plastic tape on 7" and 13" reels in accordance with *EIA Standard 481: Embossed Carrier Taping of Surface Mount Components for Automatic Handling*. This packaging system is compatible with all tape-fed automatic pick-and-place systems.

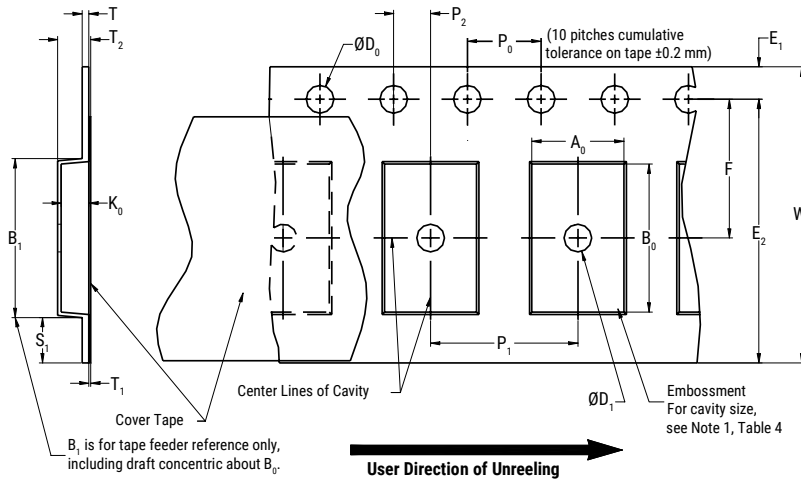


**Table 3 – Packaging Quantity**

| Case Code |         | Tape Width (mm) | 7" Reel* | 13" Reel* |
|-----------|---------|-----------------|----------|-----------|
| KEMET     | EIA     |                 |          |           |
| S         | 3216-12 | 8               | 2,500    | 10,000    |
| T         | 3528-12 | 8               | 3,000    | 10,000    |
| M         | 3528-15 | 8               | 2,500    | 8,000     |
| U         | 6032-15 | 12              | 1,000    | 5,000     |
| L         | 6032-19 | 12              | 1,000    | 3,000     |
| W         | 7343-15 | 12              | 1,000    | 3,000     |
| Z         | 7343-17 | 12              | 1,000    | 3,000     |
| V         | 7343-20 | 12              | 1,000    | 3,000     |
| A         | 3216-18 | 8               | 2,000    | -         |
| B         | 3528-21 | 8               | 2,000    | 8,000     |
| C         | 6032-28 | 12              | 500      | 3,000     |
| D         | 7343-31 | 12              | 500      | 2,500     |
| Q         | 7343-12 | 12              | 1,000    | 3,000     |
| Y         | 7343-40 | 12              | 500      | 2,000     |
| X         | 7343-43 | 12              | 500      | 2,000     |
| E/T428P   | 7360-38 | 12              | 500      | 2,000     |
| H         | 7360-20 | 12              | 1,000    | 2,500     |
| O         | 7360-43 | 12              | 250      | 1,000     |

\* No C-Spec required for 7" reel packaging. C-7280 required for 13" reel packaging.

**Figure 1 – Embossed (Plastic) Carrier Tape Dimensions**



**Table 4 – Embossed (Plastic) Carrier Tape Dimensions**

Metric will govern

| Constant Dimensions – Millimeters (Inches) |                                      |                                  |                            |                           |                           |                       |                                  |                  |                        |
|--------------------------------------------|--------------------------------------|----------------------------------|----------------------------|---------------------------|---------------------------|-----------------------|----------------------------------|------------------|------------------------|
| Tape Size                                  | D <sub>0</sub>                       | D <sub>1</sub> Minimum<br>Note 1 | E <sub>1</sub>             | P <sub>0</sub>            | P <sub>2</sub>            | R Reference<br>Note 2 | S <sub>1</sub> Minimum<br>Note 3 | T Maximum        | T <sub>1</sub> Maximum |
| 8 mm                                       | 1.5 +0.10/-0.0<br>(0.059+0.004/-0.0) | 1.0<br>(0.039)                   | 1.75±0.10<br>(0.069±0.004) | 4.0±0.10<br>(0.157±0.004) | 2.0±0.05<br>(0.079±0.002) | 25.0<br>(0.984)       | 0.600<br>(0.024)                 | 0.600<br>(0.024) | 0.100<br>(0.004)       |
| 12 mm                                      |                                      | 1.5<br>(0.059)                   |                            |                           |                           |                       |                                  |                  |                        |

| Variable Dimensions – Millimeters (Inches) |                                     |                                  |                        |                           |                                                                                  |                        |                 |                                                  |  |
|--------------------------------------------|-------------------------------------|----------------------------------|------------------------|---------------------------|----------------------------------------------------------------------------------|------------------------|-----------------|--------------------------------------------------|--|
| Tape Size                                  | Pitch                               | B <sub>1</sub> Maximum<br>Note 4 | E <sub>2</sub> Minimum | F                         | P <sub>1</sub>                                                                   | T <sub>2</sub> Maximum | W Maximum       | A <sub>0</sub> , B <sub>0</sub> & K <sub>0</sub> |  |
| 8 mm                                       | Single (4 mm)                       | 4.35<br>(0.171)                  | 6.25<br>(0.246)        | 3.5±0.05<br>(0.138±0.002) | 2.0±0.05 or 4.0±0.10<br>(0.079±0.002 or 0.157±0.004)                             | 2.5<br>(0.098)         | 8.3<br>(0.327)  | Note 5                                           |  |
| 12 mm                                      | Single (4 mm)<br>& Double<br>(8 mm) | 8.2<br>(0.323)                   | 10.25<br>(0.404)       | 5.5±0.05<br>(0.217±0.002) | 2.0±0.05 (0.079±0.002) or<br>4.0±0.10 (0.157±0.004) or<br>8.0±0.10 (0.315±0.004) | 4.6<br>(0.181)         | 12.3<br>(0.484) |                                                  |  |

1. The embossment hole location shall be measured from the sprocket hole controlling the location of the embossment. Dimensions of embossment location and hole location shall be applied independent of each other.
2. The tape, with or without components, shall pass around R without damage (see Figure 4).
3. If S<sub>1</sub> < 1.0 mm, there may not be enough area for cover tape to be properly applied (see EIA Standard 481-D, paragraph 4.3, section b).
4. B<sub>1</sub> dimension is a reference dimension for tape feeder clearance only.
5. The cavity defined by A<sub>0</sub>, B<sub>0</sub> and K<sub>0</sub> shall surround the component with sufficient clearance that:
  - (a) the component does not protrude above the top surface of the carrier tape.
  - (b) the component can be removed from the cavity in a vertical direction without mechanical restriction, after the top cover tape has been removed.
  - (c) rotation of the component is limited to 20° maximum for 8 and 12 mm tapes (see Figure 2).
  - (d) lateral movement of the component is restricted to 0.5 mm maximum for 8 mm and 12 mm wide tape (see Figure 3).
  - (e) see Addendum in EIA Standard 481-D for standards relating to more precise taping requirements.

## Packaging Information Performance Notes

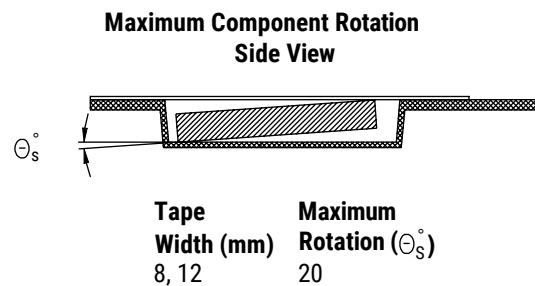
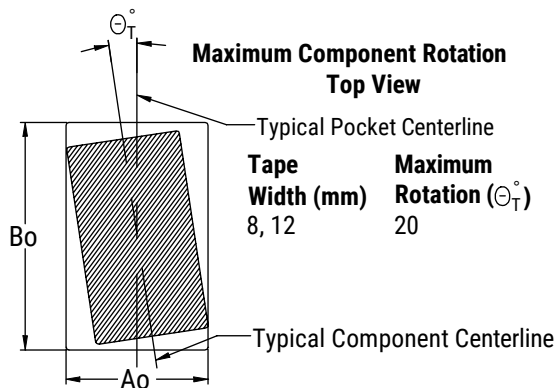
- 1. Cover Tape Break Force:** 1.0 Kg minimum.
- 2. Cover Tape Peel Strength:** The total peel strength of the cover tape from the carrier tape shall be:

| Tape Width | Peel Strength                    |
|------------|----------------------------------|
| 8 mm       | 0.1 to 1.0 Newton (10 to 100 gf) |
| 12 mm      | 0.1 to 1.3 Newton (10 to 130 gf) |

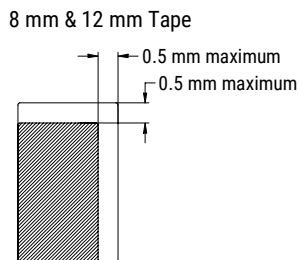
The direction of the pull shall be opposite the direction of the carrier tape travel. The pull angle of the carrier tape shall be 165° to 180° from the plane of the carrier tape. During peeling, the carrier and/or cover tape shall be pulled at a velocity of 300 ±10 mm/minute.

- 3. Labeling:** Bar code labeling (standard or custom) shall be on the side of the reel opposite the sprocket holes. Refer to EIA Standards 556 and 624.

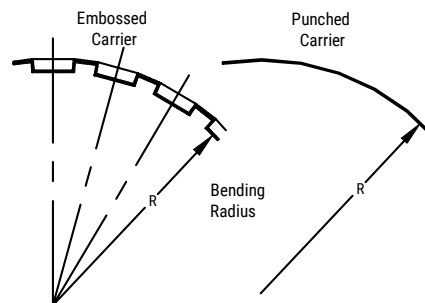
## Figure 2 – Maximum Component Rotation



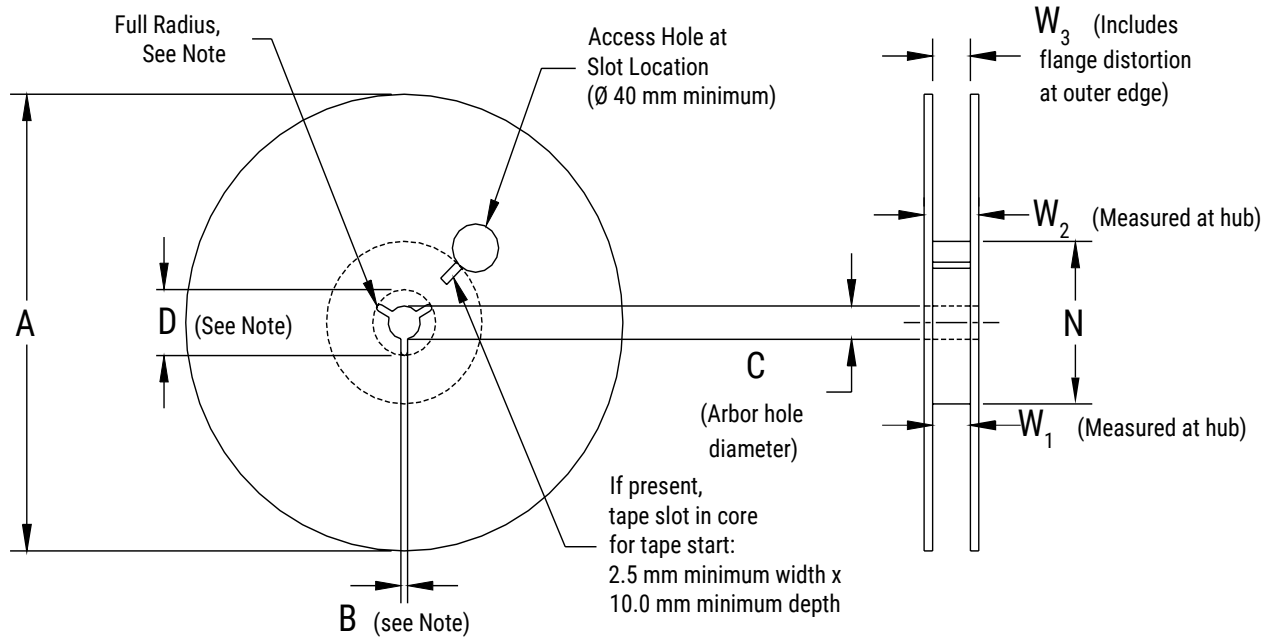
## Figure 3 – Maximum Lateral Movement



## Figure 4 – Bending Radius



**Figure 5 – Reel Dimensions**



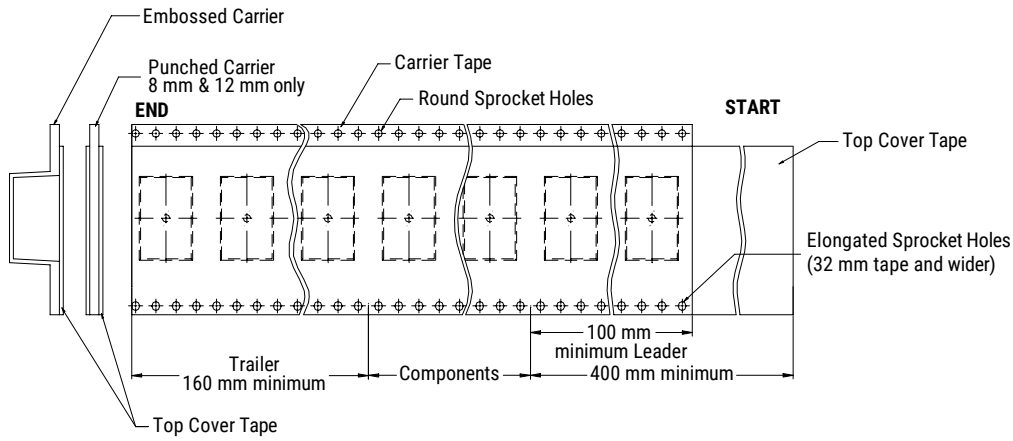
Note: Drive spokes optional; if used, dimensions B and D shall apply.

**Table 5 – Reel Dimensions**

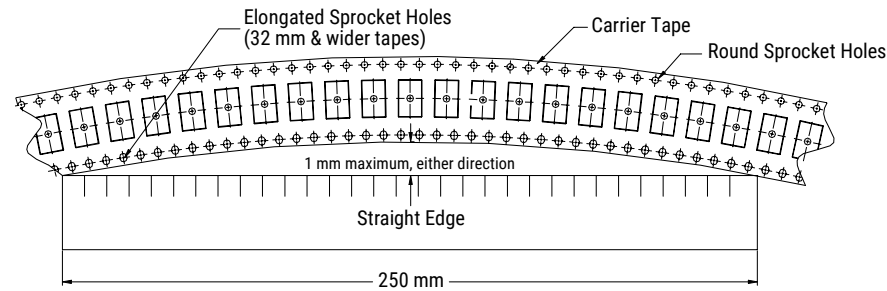
Metric will govern

| Constant Dimensions – Millimeters (Inches) |                            |                                     |                                      |                                                   |
|--------------------------------------------|----------------------------|-------------------------------------|--------------------------------------|---------------------------------------------------|
| Tape Size                                  | A                          | B Minimum                           | C                                    | D Minimum                                         |
| 8 mm                                       | 178±0.20<br>(7.008±0.008)  | 1.5<br>(0.059)                      | 13.0+0.5/-0.2<br>(0.521+0.02/-0.008) | 20.2<br>(0.795)                                   |
| 12 mm                                      | 330±0.20<br>(13.000±0.008) |                                     |                                      |                                                   |
| Variable Dimensions – Millimeters (Inches) |                            |                                     |                                      |                                                   |
| Tape Size                                  | N Minimum                  | W <sub>1</sub>                      | W <sub>2</sub> Maximum               | W <sub>3</sub>                                    |
| 8 mm                                       | 50<br>(1.969)              | 8.4+1.5/-0.0<br>(0.331+0.059/-0.0)  | 14.4<br>(0.567)                      | Shall accommodate tape width without interference |
| 12 mm                                      |                            | 12.4+2.0/-0.0<br>(0.488+0.078/-0.0) | 18.4<br>(0.724)                      |                                                   |

**Figure 6 – Tape Leader & Trailer Dimensions**



**Figure 7 – Maximum Camber**



## KEMET Electronics Corporation Sales Offices

For a complete list of our global sales offices, please visit [www.kemet.com/sales](http://www.kemet.com/sales).

---

### Disclaimer

All product specifications, statements, information and data (collectively, the "Information") in this datasheet are subject to change. The customer is responsible for checking and verifying the extent to which the Information contained in this publication is applicable to an order at the time the order is placed. All Information given herein is believed to be accurate and reliable, but it is presented without guarantee, warranty, or responsibility of any kind, expressed or implied.

Statements of suitability for certain applications are based on KEMET Electronics Corporation's ("KEMET") knowledge of typical operating conditions for such applications, but are not intended to constitute – and KEMET specifically disclaims – any warranty concerning suitability for a specific customer application or use. The Information is intended for use only by customers who have the requisite experience and capability to determine the correct products for their application. Any technical advice inferred from this Information or otherwise provided by KEMET with reference to the use of KEMET's products is given gratis, and KEMET assumes no obligation or liability for the advice given or results obtained.


Although KEMET designs and manufactures its products to the most stringent quality and safety standards, given the current state of the art, isolated component failures may still occur. Accordingly, customer applications which require a high degree of reliability or safety should employ suitable designs or other safeguards (such as installation of protective circuitry or redundancies) in order to ensure that the failure of an electrical component does not result in a risk of personal injury or property damage.

Although all product-related warnings, cautions and notes must be observed, the customer should not assume that all safety measures are indicated or that other measures may not be required.

*KEMET is a registered trademark of KEMET Electronics Corporation.*

## Looking for pricing, stock, or lifecycle information?

Click below to explore more details on WIN SOURCE:

 [View T520W476M016AE045 on WIN SOURCE](#)

 [Kemet Information](#)

## Optimize Your Supply Chain with WIN SOURCE Solutions

-  Global Sourcing Solution
-  Obsolete Management
-  Cost Control Management
-  Shortage Management
-  Alternative Solution
-  Excess Inventory Management