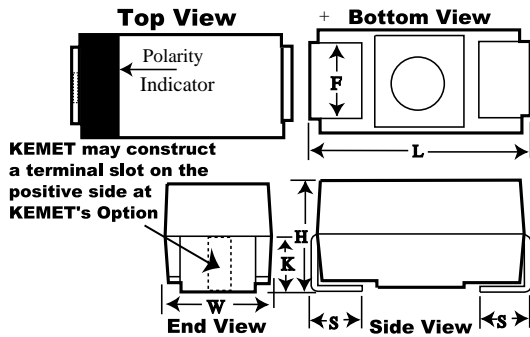




**THE DATASHEET OF  
T495D686M016ZTE150**



B45197A, Tantalum, MnO2 Tantalum, 68 uF, 20%, 16 V, SMD, Molded, Low ESR, Surge Robust, 150 mOhms, 7343, Height Max = 3.1mm



**Dimensions**

Dimensions	
Footprint	7343
L	7.3mm +/-0.3mm
W	4.3mm +/-0.3mm
H	2.8mm +/-0.3mm
S	1.3mm +/-0.3mm
F	2.4mm +/-0.1mm
K	1.8mm TYP

**Packaging Specifications**

<b>Packaging:</b>	T&R, 178mm
<b>Packaging Quantity:</b>	750

**General Information**

<b>Supplier:</b>	KEMET
<b>Series:</b>	B45197A
<b>Dielectric:</b>	MnO2 Tantalum
<b>Style:</b>	SMD Chip
<b>Description:</b>	SMD, Molded, Low ESR, Surge Robust
<b>Features:</b>	Low ESR, Surge Robust
<b>RoHS:</b>	Yes
<b>Termination:</b>	Tin
<b>Miscellaneous:</b>	Closest Kemet Original Series Equivalent: T495D686M016ATE150
<b>Notes:</b>	Obsolete. Old Part Number [Obsolete] Was B45197A3686M409

**Specifications**

<b>Capacitance:</b>	68 uF
<b>Capacitance Tolerance:</b>	20%
<b>Voltage DC:</b>	16 VDC (85C), 10.72 VDC (125C)
<b>Temperature Range:</b>	-55/+125C
<b>Rated Temperature:</b>	85C
<b>Dissipation Factor:</b>	15%
<b>Failure Rate:</b>	N/A
<b>Resistance:</b>	0.15 Ohms (100kHz)
<b>Current:</b>	1000 mAmps (25C), 900 mAmps (85C), 400 mAmps (125C)
<b>Leakage Current:</b>	10.9 uA

## Looking for pricing, stock, or lifecycle information?

Click below to explore more details on WIN SOURCE:

 [View T495D686M016ZTE150 on WIN SOURCE](#)

 [Kemet Information](#)

## Optimize Your Supply Chain with WIN SOURCE Solutions

-  Global Sourcing Solution
-  Obsolete Management
-  Cost Control Management
-  Shortage Management
-  Alternative Solution
-  Excess Inventory Management