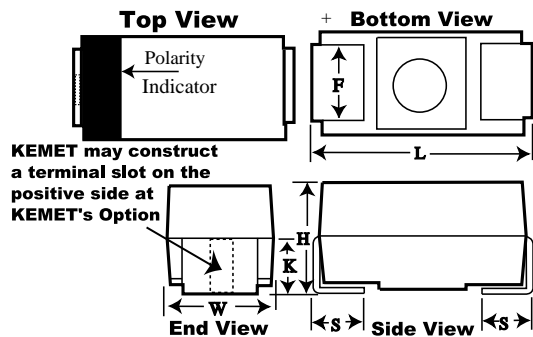




**THE DATASHEET OF  
T491V157K010ZT**



B45194E, Tantalum, MnO2 Tantalum, 150 uF, 10%, 10 V, SMD, Molded, Low Profile, 7343, Height Max = 2mm



**Dimensions**

Footprint	7343
L	7.3mm +/-0.3mm
W	4.3mm +/-0.3mm
H	2mm MAX
S	1.3mm +/-0.3mm
F	2.4mm +/-0.1mm
K	1.7mm TYP

**Packaging Specifications**

Packaging:	T&R, 178mm
Packaging Quantity:	1000

**General Information**

Supplier:	KEMET
Series:	B45194E
Dielectric:	MnO2 Tantalum
Style:	SMD Chip
Description:	SMD, Molded, Low Profile
Features:	Low Profile
RoHS:	Yes
Termination:	Tin
Miscellaneous:	Closest Kemet Original Series Equivalent: T491V157K010AT
Notes:	Obsolete. Old Part Number [Obsolete] Was B45194E2157K409

**Specifications**

Capacitance:	150 uF
Capacitance Tolerance:	10%
Voltage DC:	10 VDC (85C), 6.7 VDC (125C)
Temperature Range:	-55/+125C
Rated Temperature:	85C
Dissipation Factor:	8%
Failure Rate:	N/A
Leakage Current:	15 uA

## Looking for pricing, stock, or lifecycle information?

Click below to explore more details on WIN SOURCE:

 [View T491V157K010ZT on WIN SOURCE](#)

 [Kemet Information](#)

## Optimize Your Supply Chain with WIN SOURCE Solutions

-  Global Sourcing Solution
-  Obsolete Management
-  Cost Control Management
-  Shortage Management
-  Alternative Solution
-  Excess Inventory Management