



SY89833L

3.3V Ultra-Precision 1:4 LVDS Fanout Buffer/Translator with Internal Termination

General Description

The SY89833L is a 3.3V, high-speed 2GHz differential low voltage differential swing (LVDS) 1:4 fanout buffer optimized for ultra-low skew applications. Within device skew is guaranteed to be less than 20ps over supply voltage and temperature.

The differential input buffer has a unique internal termination design that allows access to the termination network through a VT pin. This feature allows the device to easily interface to different logic standards. A VREF-AC reference is included for AC-coupled applications.

The SY89833L is part of Micrel's high-speed clock synchronization family. For 2.5V applications, the SY89832U provides similar functionality while operating from a 2.5V $\pm 5\%$ supply. For applications that require a different I/O combination, consult the Micrel website at www.micrel.com, and choose from a comprehensive product line of high-speed, low-skew fanout buffers, translators and clock generators.

Datasheets and support documentation are available on Micrel's web site at: www.micrel.com.

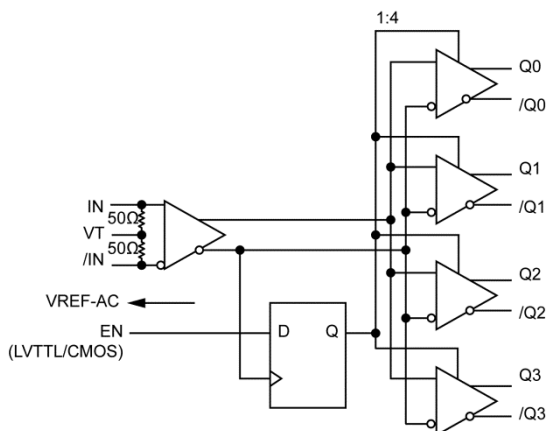
Features

- Guaranteed AC performance over temperature and voltage:
 - DC-to > 2GHz throughput
 - <600ps propagation delay (IN-to-Q)
 - <20ps within-device skew
 - <150ps rise/fall times
- Ultra-low jitter design:
 - 98fs_{RMS} phase jitter
- Patented Any-In input termination and VT pin accepts DC- and AC-coupled inputs
- High-speed LVDS outputs
- 3.3V power supply operation:
 - Industrial temperature range: -40°C to +85°C
- Available in 16-pin (3mm x 3mm) QFN package

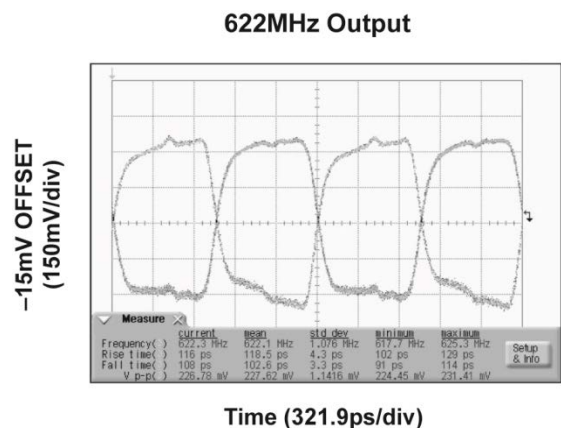
Applications

- Processor clock distribution
- SONET clock distribution
- Fibre Channel clock distribution
- Gigabit Ethernet clock distribution

Functional Block Diagram



Typical Performance



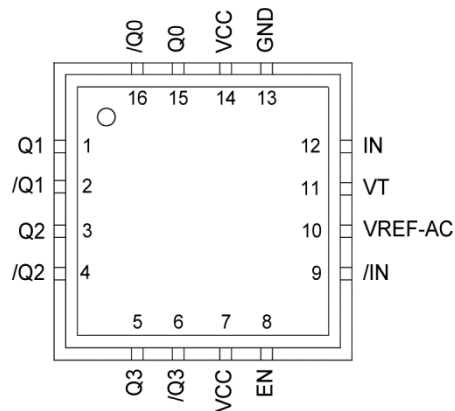
Ordering Information⁽¹⁾

Part Number	Package Type	Operating Range	Package Marking	Lead Finish
SY89833LMG	QFN-16	Industrial	833L with Pb-Free Bar Line Indicator	NiPdAu Pb-Free
SY89833LMG TR ⁽²⁾	QFN-16	Industrial	833L with Pb-Free Bar Line Indicator	NiPdAu Pb-Free

Notes:

- Contact factory for die availability. Dice are guaranteed at $T_A = 25^\circ\text{C}$, DC Electricals only.
- Tape and Reel.

Pin Configuration



16-Pin 3mm x 3mm QFN

Pin Description

Pin Number	Pin Name	Pin Function
15, 16 1, 2 3, 4 5, 6	Q0, /Q0 Q1, /Q1 Q2, /Q2 Q3, /Q3	LVDS Differential Outputs: Normally terminated with 100Ω across the pair (Q, /Q). See "LVDS Outputs" section. Unused outputs should be terminated with a 100Ω resistor across each pair.
8	EN	This single-ended TTL/CMOS-compatible input functions as a synchronous output enable. The synchronous enable ensures that enable/disable will only occur when the outputs are in a logic LOW state. Note that this input is internally connected to a 25kΩ pull-up resistor and will default to logic HIGH state (enabled) if left open.
9, 12	/IN, IN	Differential Inputs: These input pairs are the differential signal inputs to the device. Inputs accept AC- or DC-Coupled differential signals as small as 100mV. Each pin of a pair internally terminates to a VT pin through 50Ω. Note that these inputs will default to an intermediate state if left open. Please refer to the "Input Interface Applications" section for more details.
10	VREF-AC	Reference Voltage: These outputs bias to $V_{CC}-1.4\text{V}$. They are used when AC coupling the inputs (IN, /IN). For AC-Coupled applications, connect VREF-AC to VT pin and bypass with 0.01μF low ESR capacitor to V_{CC} . See "Input Interface Applications" section for more details. Maximum sink/source current is ±1.5mA. Due to the limited drive capability, each VREF-AC pin is only intended to drive its respective VT pin.

Pin Description (Continued)

Pin Number	Pin Name	Pin Function
11	VT	Input Termination Center-Tap: Each side of the differential input pair terminates to a VT pin. The VT pins provide a center-tap to a termination network for maximum interface flexibility. See "Input Interface Applications" section for more details.
13	GND	Ground. GND pins and exposed pad must be connected to the most negative potential of the device ground.
7, 14	VCC	Positive Power Supply: Bypass with 0.1 μ F//0.01 μ F low ESR capacitors and place as close to each VCC pin as possible.

Truth Tables

IN	/IN	EN	Q	/Q
0	1	1	0	1
1	0	1	1	0
X	X	0	0 ⁽³⁾	1 ⁽³⁾

Note:

- On next negative transition of the input signal (IN).

Absolute Maximum Ratings⁽⁴⁾

Supply Voltage (V_{CC})	-0.5V to +4.0V
Input Voltage (V_{IN})	-0.5 to $V_{CC} + 0.3V$
LVDS Output Current (I_{OUT})	+10mA
Input Current	
Source or Sink Current on (I_{VT})	$\pm 2mA$
Maximum Operating Junction Temperature	125°C
Lead Temperature (Soldering, 20 s)	260°C
Storage Temperature (T_S)	-65°C to +150°C

Operating Ratings⁽⁵⁾

Supply Voltage Range	+3.0V to +3.6V
Ambient Temperature (T_A)	-40°C to +85°C
Junction Thermal Resistance ⁽⁶⁾	
QFN (θ_{JA})	
Still-Air	60°C/W
QFN (Ψ_{JB})	33°C/W

Electrical Characteristics⁽⁷⁾

$T_A = -40^\circ\text{C}$ to $+85^\circ\text{C}$, unless otherwise stated.

Symbol	Parameter	Condition	Min.	Typ.	Max.	Units
V_{CC}	Power Supply Voltage Range		3.0	3.3	3.6	V
I_{CC}	Power Supply Current	No load, maximum V_{CC}		75	100	mA
R_{IN}	Input Resistance (IN-to-VT)		45	50	55	Ω
$R_{DIFF-IN}$	Differential Input Resistance (IN-to-/IN)		90	100	110	Ω
V_{IH}	Input HIGH Voltage (IN-to-/IN)		0.1		$V_{CC} + 0.3$	V
V_{IL}	Input LOW Voltage (IN-to-/IN)		-0.3		$V_{IH} - 0.1$	V
V_{IN}	Input Voltage Swing (IN-to-/IN)	Note 8, see Figure 4.	0.1		V_{CC}	V
V_{DIFF_IN}	Differential Input Voltage	Note 8, see Figure 5.	0.2			V
$ I_{IN} $	Input Current (IN, /IN)	Note 8.			45	mA
V_{REF-AC}	Reference Voltage		$V_{CC} - 1.525$	$V_{CC} - 1.425$	$V_{CC} - 1.325$	V

Notes:

- Permanent device damage may occur if absolute maximum ratings are exceeded. This is a stress rating only and functional operation is not implied at conditions other than those detailed in the operational sections of this data sheet. Exposure to absolute maximum rating conditions for extended periods may affect device reliability.
- The data sheet limits are not guaranteed if the device is operated beyond the operating ratings.
- Package thermal resistance assumes exposed pad is soldered (or equivalent) to the device's most negative potential on the PCB. Ψ_{JB} and θ_{JA} values are determined for a 4-layer board in still-air number, unless otherwise stated.
- The circuit is designed to meet the DC specifications shown in the above table after thermal equilibrium has been established.
- Due to the internal termination (see "Input Buffer Structure" section) the input current depends on the applied voltages at IN, /IN and VT inputs. Do not apply a combination of voltages that causes the input current to exceed the maximum limit.

LVDS Outputs DC Electrical Characteristics⁽⁹⁾

$V_{CC} = 3.3V \pm 10\%$, $R_L = 100\Omega$ across the outputs; $T_A = -40^\circ\text{C}$ to $+85^\circ\text{C}$.

Symbol	Parameter	Condition	Min.	Typ.	Max.	Units
V_{OUT}	Output Voltage Swing	See Figure 4.	250	325		mV
V_{DIFF_OUT}	Differential Output Voltage Swing	See Figure 5.	500	650		mV
V_{OCM}	Output Common Mode Voltage		1.125		1.275	V
ΔV_{OCM}	Change in Common Mode Voltage		-50		50	mV

Note:

9. The circuit is designed to meet the DC specifications shown in the above table after thermal equilibrium has been established.

LVTTTL/CMOS DC Electrical Characteristics⁽⁹⁾

$V_{CC} = 3.3V \pm 10\%$, $T_A = -40^\circ\text{C}$ to $+85^\circ\text{C}$.

Symbol	Parameter	Condition	Min.	Typ.	Max.	Units
V_{IH}	Input HIGH Voltage		2.0		V_{CC}	V
V_{IL}	Input LOW Voltage		0		0.8	V
I_{IH}	Input HIGH Current		-125		30	μA
I_{IL}	Input LOW Current				-300	μA

AC Electrical Characteristics⁽¹⁰⁾

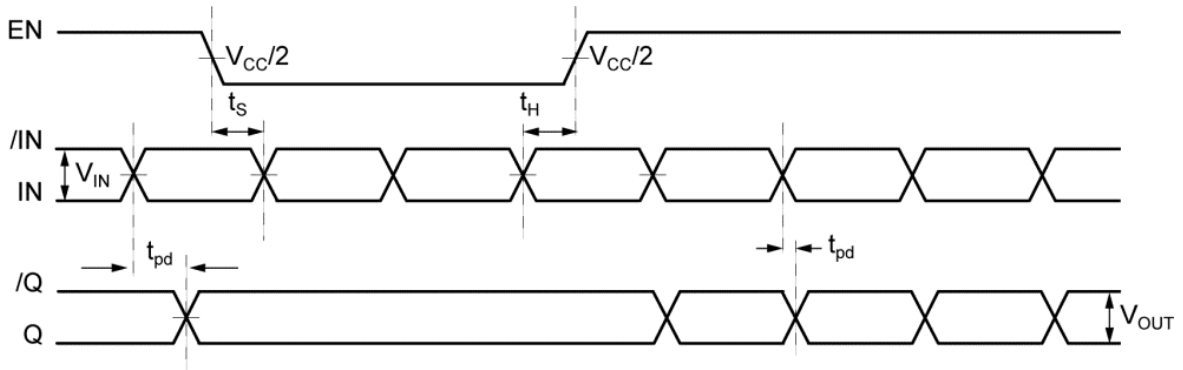
$V_{CC} = 3.3V \pm 10\%$, $R_L = 100\Omega$ across the outputs; $T_A = -40^\circ\text{C}$ to $+85^\circ\text{C}$ unless otherwise stated

Symbol	Parameter	Condition	Min	Typ	Max	Units	
f_{MAX}	Maximum Frequency	$V_{OUT} \geq 200\text{mV}$	2.0			GHz	
t_{pd}	Propagation Delay	IN-to-Q	$V_{IN} < 400\text{mV}$	400	500	600	ps
			$V_{IN} \geq 400\text{mV}$	330	440	530	ps
t_{SKEW}	Within-Device Skew	Note 11		4	20	ps	
	Part-to-Part Skew	Note 12			200	ps	
t_S	Set-up Time	EN to IN, /IN	Note 13	300		ps	
t_H	Hold Time	EN to IN, /IN	Note 13	500		ps	
t_{JITTER}	Additive Jitter	Output = 622MHz Integration Range: 12kHz – 20MHz		98		fs	
t_r, t_f	Output Rise/Fall Times (20% to 80%)	At full output swing.	60	110	190	ps	

Notes:

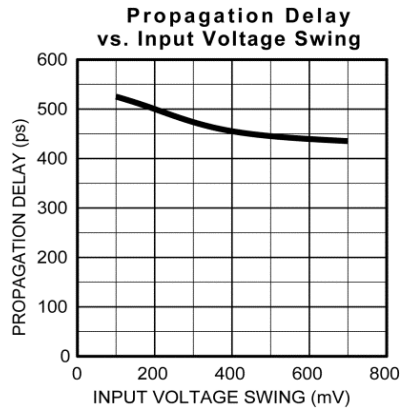
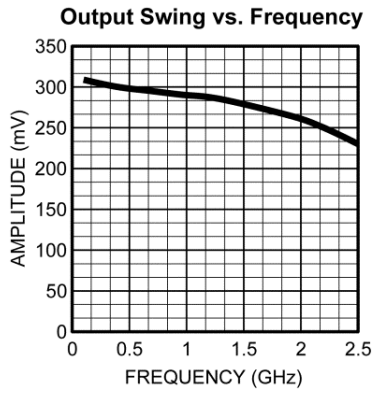
- High-frequency AC parameters are guaranteed by design and characterization.
- Within device skew is measured between two different outputs under identical input transitions.
- Part-to-part skew is defined for two parts with identical power supply voltages at the same temperature and no skew at the edges at the respective inputs.
- Set-up and hold times apply to synchronous applications that intend to enable/disable before the next clock cycle. For asynchronous applications, set-up and hold times do not apply.

Timing Diagram

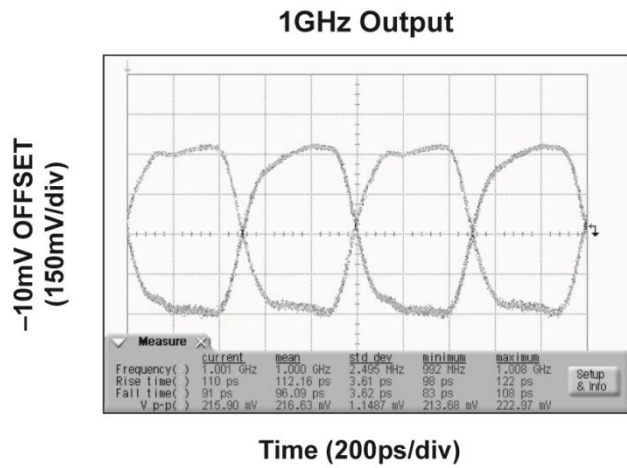
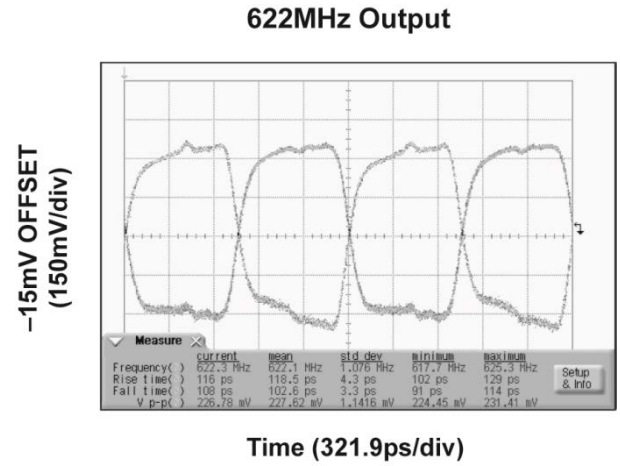
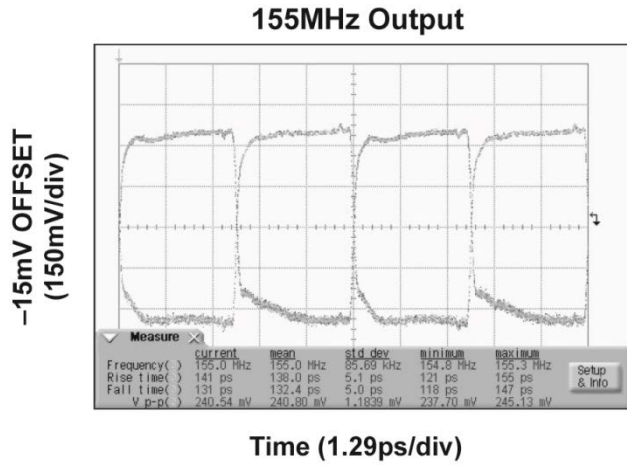


Typical Characteristics

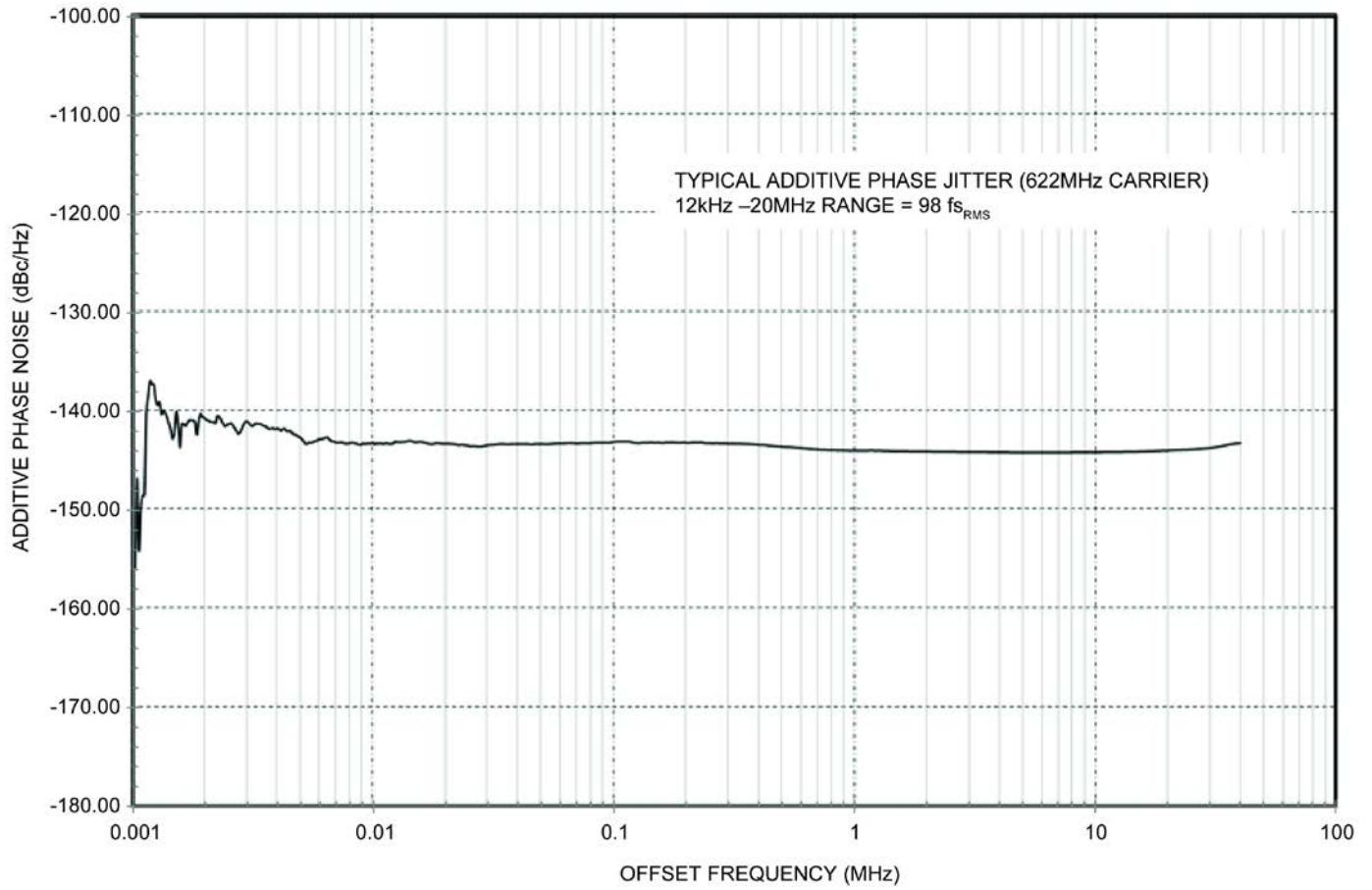
$V_{CC} = 3.3V$, $GND = 0V$, $V_{IN} = 400mV$, $R_L = 100\Omega$ across the outputs; $T_A = 25^\circ C$ unless otherwise stated.



Functional Characteristics



Additive Phase Noise Plot



Input Stage

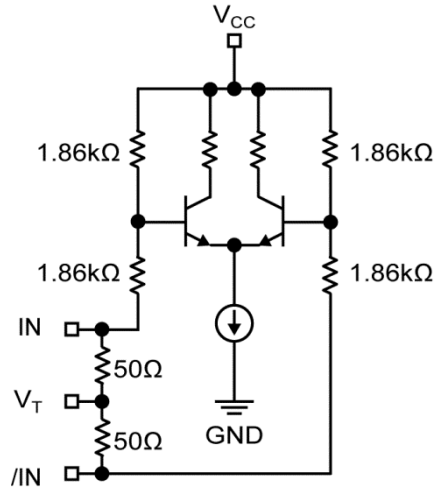


Figure 1. Simplified Differential Input Buffer

LVDS Outputs

LVDS specifies a small swing of 325mV typical, on a nominal 1.20V common mode above ground. The common-mode voltage has tight limits to permit large

variations in ground noise between a LVDS driver and receiver.

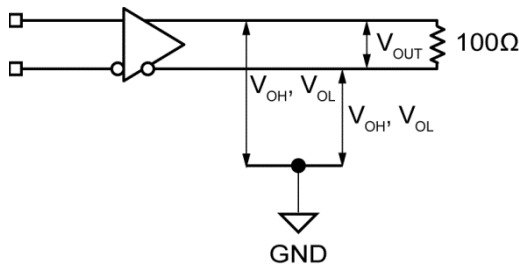


Figure 2. LVDS Differential Measurement

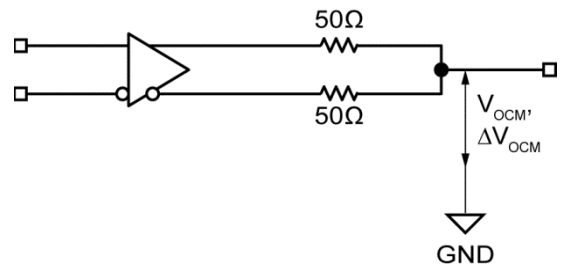


Figure 3. LVDS Common Mode Measurement

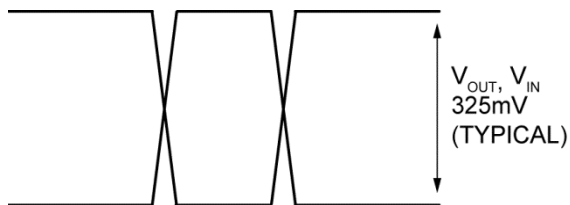


Figure 4. Single-Ended Swing

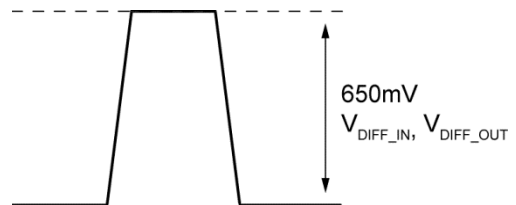


Figure 5. Differential Swing

Input Interface Applications

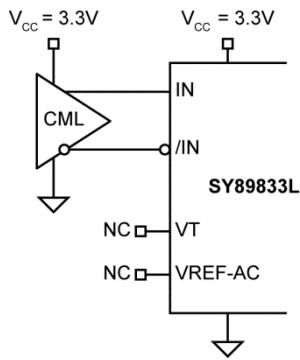


Figure 6. DC-Coupled CML Input Interface

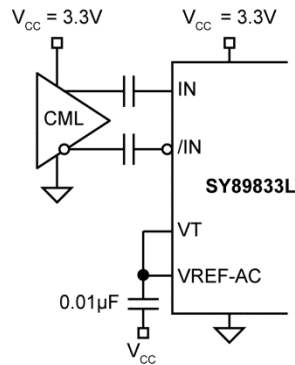


Figure 7. AC-Coupled CML Input Interface

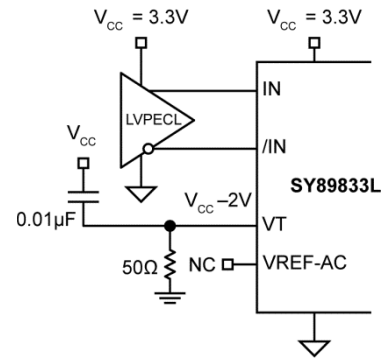


Figure 8. DC-Coupled LVPECL Input Interface

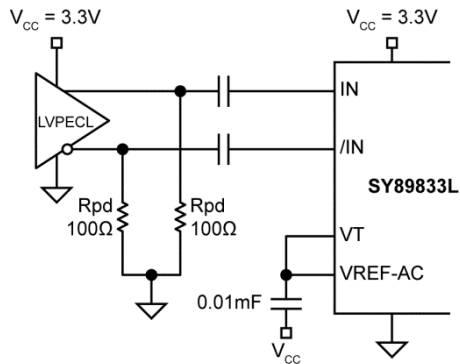


Figure 9. AC-Coupled LVPECL Input Interface

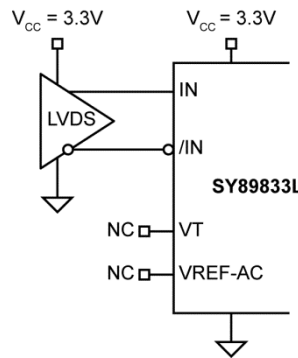


Figure 10. LVDS Input Interface

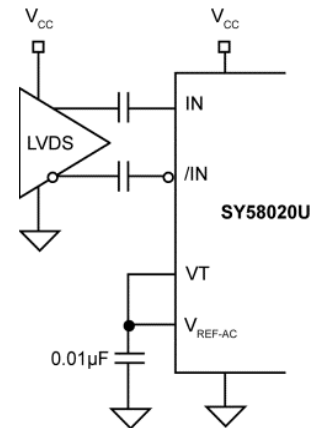
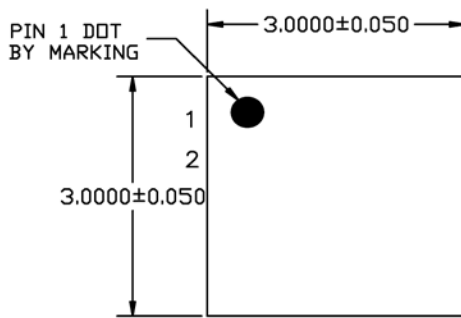
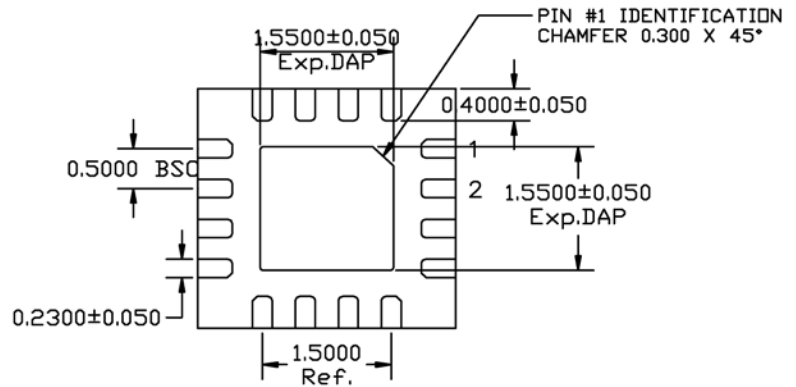


Figure 11. AC-Coupled LVDS Input Interface
 Note: Be certain that the LVDS driver can be AC-coupled.

Package Information⁽¹⁴⁾



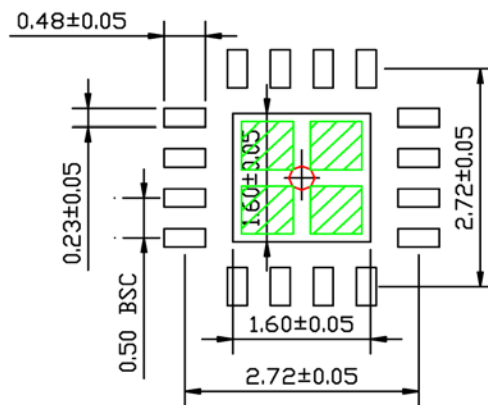
TOP VIEW
NOTE: 1, 2, 3



BOTTOM VIEW
NOTE: 1, 2, 3



SIDE VIEW
NOTE: 1, 2, 3



RECOMMENDED LAND PATTERN
NOTE: 4, 5

NOTE:

1. MAX PACKAGE WARPAGE IS 0.05 MM
2. MAX ALLOWABLE BURR IS 0.076MM IN ALL DIRECTIONS
3. PIN #1 IS ON TOP WILL BE LASER MARKED
4. RED CIRCLE IN LAND PATTERN INDICATE THERMAL VIA. SIZE SHOULD BE 0.30-0.3M IN DIAMETER AND SHOULD BE CONNECTED TO GND FOR MAX THERMAL PERFORMANCE
5. GREEN RECTANGLES (SHADED AREA) INDICATE SOLDER STENCIL OPENING ON EXPOSED PAD AREA. SIZE SHOULD BE 0.60x0.60 MM IN SIZE, 0.20 MM SPACING.

16-Pin 3mm x 3mm QFN (MM)

Note:

14. Package information is correct as of the publication date. For updates and most current information, go to www.micrel.com.

MICREL, INC. 2180 FORTUNE DRIVE SAN JOSE, CA 95131 USA
TEL +1 (408) 944-0800 FAX +1 (408) 474-1000 WEB <http://www.micrel.com>

Micrel, Inc. is a leading global manufacturer of IC solutions for the worldwide high-performance linear and power, LAN, and timing & communications markets. The Company's products include advanced mixed-signal, analog & power semiconductors; high-performance communication, clock management, MEMS-based clock oscillators & crystal-less clock generators, Ethernet switches, and physical layer transceiver ICs. Company customers include leading manufacturers of enterprise, consumer, industrial, mobile, telecommunications, automotive, and computer products. Corporation headquarters and state-of-the-art wafer fabrication facilities are located in San Jose, CA, with regional sales and support offices and advanced technology design centers situated throughout the Americas, Europe, and Asia. Additionally, the Company maintains an extensive network of distributors and reps worldwide.

Micrel makes no representations or warranties with respect to the accuracy or completeness of the information furnished in this datasheet. This information is not intended as a warranty and Micrel does not assume responsibility for its use. Micrel reserves the right to change circuitry, specifications and descriptions at any time without notice. No license, whether express, implied, arising by estoppel or otherwise, to any intellectual property rights is granted by this document. Except as provided in Micrel's terms and conditions of sale for such products, Micrel assumes no liability whatsoever, and Micrel disclaims any express or implied warranty relating to the sale and/or use of Micrel products including liability or warranties relating to fitness for a particular purpose, merchantability, or infringement of any patent, copyright, or other intellectual property right.

Micrel Products are not designed or authorized for use as components in life support appliances, devices or systems where malfunction of a product can reasonably be expected to result in personal injury. Life support devices or systems are devices or systems that (a) are intended for surgical implant into the body or (b) support or sustain life, and whose failure to perform can be reasonably expected to result in a significant injury to the user. A Purchaser's use or sale of Micrel Products for use in life support appliances, devices or systems is a Purchaser's own risk and Purchaser agrees to fully indemnify Micrel for any damages resulting from such use or sale.

© 2005 Micrel, Incorporated.

Looking for pricing, stock, or lifecycle information?

Click below to explore more details on WIN SOURCE:

- ⊖ [View SY89833LMGTR on WIN SOURCE](#)
- ⊖ [Microchip Technology Information](#)

Optimize Your Supply Chain with WIN SOURCE Solutions

- ✓ Global Sourcing Solution
- ✓ Obsolete Management
- ✓ Cost Control Management
- ✓ Shortage Management
- ✓ Alternative Solution
- ✓ Excess Inventory Management