



**THE DATASHEET OF  
74LVQ373QSCX**



## 74LVQ373

### Low Voltage Octal Transparent Latch with 3-STATE Outputs

#### General Description

The LVQ373 consists of eight latches with 3-STATE outputs for bus organized system applications. The latches appear transparent to the data when Latch Enable (LE) is HIGH. When LE is low, the data satisfying the input timing requirements is latched. Data appears on the bus when the Output Enable ( $\overline{OE}$ ) is LOW. When  $\overline{OE}$  is HIGH, the bus output is in the high impedance state.

#### Features

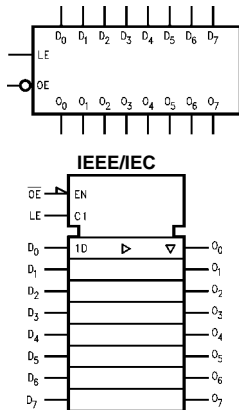
- Ideal for low power/low noise 3.3V applications
- Implements patented EMI reduction circuitry
- Available in SOIC JEDEC, SOIC EIAJ and QSOP packages
- Guaranteed simultaneous switching noise level and dynamic threshold performance
- Improved latch-up immunity
- Guaranteed incident wave switching into 75Ω
- 4 kV minimum ESD immunity

#### Ordering Code:

Order Number	Package Number	Package Description
74LVQ373SC	M20B	20-Lead Small Outline Integrated Circuit (SOIC), JEDEC MS-013, 0.300" Wide
74LVQ373SJ	M20D	20-Lead Small Outline Package (SOP), EIAJ TYPE II, 5.3mm Wide
74LVQ373QSC	MQA20	20-Lead Quarter Size Outline Package (QSOP), JEDEC MO-137, 0.150" Wide

Devices also available in Tape and Reel. Specify by appending suffix letter "X" to the ordering code.

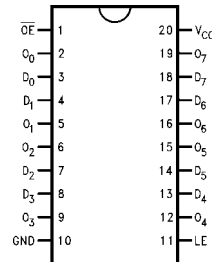
#### Logic Symbols



#### Pin Descriptions

Pin Names	Description
D <sub>0</sub> -D <sub>7</sub>	Data Inputs
LE	Latch Enable Input
$\overline{OE}$	Output Enable Input
O <sub>0</sub> -O <sub>7</sub>	3-STATE Latch Outputs

#### Connection Diagram



#### Truth Table

Inputs			Outputs
LE	$\overline{OE}$	D <sub>n</sub>	O <sub>n</sub>
X	H	X	Z
H	L	L	L
H	L	H	H
L	L	X	O <sub>0</sub>

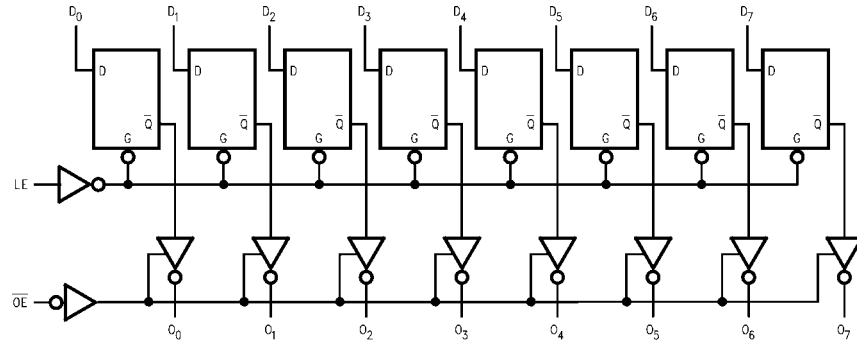
H = HIGH Voltage Level      L = LOW Voltage Level  
Z = High Impedance      X = Immaterial  
O<sub>0</sub> = Previous O<sub>0</sub> before HIGH to Low transition of Latch Enable

## Functional Description

The LVQ373 contains eight D-type latches with 3-STATE standard outputs. When the Latch Enable (LE) input is HIGH, data on the  $D_n$  inputs enters the latches. In this condition the latches are transparent, i.e., a latch output will change state each time its D-type input changes. When LE is LOW, the latches store the information that was present on the D-type inputs a setup time preceding the

HIGH-to-LOW transition of LE. The 3-STATE standard outputs are controlled by the Output Enable ( $\overline{OE}$ ) input. When  $\overline{OE}$  is LOW, the standard outputs are in the 2-state mode. When  $\overline{OE}$  is HIGH, the standard outputs are in the high impedance mode but this does not interfere with entering new data into the latches.

## Logic Diagram



Please note that this diagram is provided only for the understanding of logic operations and should not be used to estimate propagation delays.

Absolute Maximum Ratings <sup>(Note 1)</sup>			Recommended Operating Conditions <sup>(Note 2)</sup>			
Supply Voltage ( $V_{CC}$ )		-0.5V to +7.0V	Supply Voltage ( $V_{CC}$ )		2.0V to 3.6V	
DC Input Diode Current ( $I_{IK}$ )			Input Voltage ( $V_I$ )		0V to $V_{CC}$	
$V_I = -0.5V$		-20 mA	Output Voltage ( $V_O$ )		0V to $V_{CC}$	
$V_I = V_{CC} + 0.5V$		+20 mA	Operating Temperature ( $T_A$ )		-40°C to +85°C	
DC Input Voltage ( $V_I$ )		-0.5V to $V_{CC} + 0.5V$	Minimum Input Edge Rate ( $\Delta V/\Delta t$ )			
DC Output Diode Current ( $I_{OK}$ )			$V_{IN}$ from 0.8V to 2.0V			
$V_O = -0.5V$		-20 mA	$V_{CC}$ @ 3.0V		125 mV/ns	
$V_O = V_{CC} + 0.5V$		+20 mA				
DC Output Voltage ( $V_O$ )		-0.5V to $V_{CC} + 0.5V$				
DC Output Source						
or Sink Current ( $I_O$ )		$\pm 50$ mA				
DC $V_{CC}$ or Ground Current						
( $I_{CC}$ or $I_{GND}$ )		$\pm 400$ mA				
Storage Temperature ( $T_{STG}$ )		-65°C to +150°C				
DC Latch-Up Source or						
Sink Current		$\pm 300$ mA				
<b>DC Electrical Characteristics</b>						
Symbol	Parameter	$V_{CC}$ (V)	$T_A = +25^\circ\text{C}$		Units	Conditions
			Typ	Guaranteed Limits		
$V_{IH}$	Minimum High Level Input Voltage	3.0	1.5	2.0	V	$V_{OUT} = 0.1V$ or $V_{CC} - 0.1V$
$V_{IL}$	Maximum Low Level Input Voltage	3.0	1.5	0.8	V	$V_{OUT} = 0.1V$ or $V_{CC} - 0.1V$
$V_{OH}$	Minimum High Level Output Voltage	3.0	2.99	2.9	V	$I_{OUT} = -50 \mu\text{A}$
		3.0		2.58	V	$V_{IN} = V_{IL}$ or $V_{IH}$ (Note 3) $I_{OH} = -12 \text{ mA}$
$V_{OL}$	Maximum Low Level Output Voltage	3.0	0.002	0.1	V	$I_{OUT} = 50 \mu\text{A}$
		3.0		0.36	V	$V_{IN} = V_{IL}$ or $V_{IH}$ (Note 3) $I_{OL} = 12 \text{ mA}$
$I_{IN}$	Maximum Input Leakage Current	3.6		$\pm 0.1$	$\mu\text{A}$	$V_I = V_{CC}$ , GND
$I_{OLD}$	Minimum Dynamic	3.6			mA	$V_{OLD} = 0.8V$ Max (Note 5)
$I_{OHD}$	Output Current (Note 4)	3.6			mA	$V_{OHD} = 2.0V$ Min (Note 5)
$I_{CC}$	Maximum Quiescent Supply Current	3.6		4.0	$\mu\text{A}$	$V_{IN} = V_{CC}$ or GND
$I_{OZ}$	Maximum 3-STATE Leakage Current	3.6		$\pm 0.25$	$\mu\text{A}$	$V_I$ (OE) = $V_{IL}$ , $V_{IH}$ $V_I = V_{CC}$ , GND $V_O = V_{CC}$ , GND
$V_{OLP}$	Quiet Output Maximum Dynamic $V_{OL}$	3.3	0.4	0.8	V	(Note 6)(Note 7)
$V_{OLV}$	Quiet Output Minimum Dynamic $V_{OL}$	3.3	-0.3	-0.8	V	(Note 6)(Note 7)
$V_{IHD}$	Maximum High Level Dynamic Input Voltage	3.3	1.7	2.0	V	(Note 6)(Note 8)
$V_{ILD}$	Maximum Low Level Dynamic Input Voltage	3.3	1.6	0.8	V	(Note 6)(Note 8)
<b>Note 3:</b> All outputs loaded; thresholds on input associated with output under test.						
<b>Note 4:</b> Maximum test duration 2.0 ms, one output loaded at a time.						
<b>Note 5:</b> Incident wave switching on transmission lines with impedances as low as 75 $\Omega$ for commercial temperature range is guaranteed.						
<b>Note 6:</b> Worst case package.						
<b>Note 7:</b> Max number of outputs defined as (n). Data inputs are driven 0V to 3.3V; one output at GND.						
<b>Note 8:</b> Max number of Data Inputs (n) switching. (n - 1) inputs switching 0V to 3.3V. Input-under-test switching: 3.3V to threshold ( $V_{ILD}$ ), 0V to threshold ( $V_{IHD}$ ), $f = 1 \text{ MHz}$ .						

## AC Electrical Characteristics

Symbol	Parameter	V <sub>CC</sub> (V)	T <sub>A</sub> = +25°C C <sub>L</sub> = 50 pF			T <sub>A</sub> = -40°C to +85°C C <sub>L</sub> = 50 pF		Units
			Min	Typ	Max	Min	Max	
t <sub>PHL</sub>	Propagation Delay	2.7	2.5	9.6	14.8	2.5	16.0	ns
t <sub>PLH</sub>	D <sub>n</sub> to O <sub>n</sub>	3.3 ± 0.3	2.5	8.0	10.5	2.5	11.0	
t <sub>PLH</sub>	Propagation Delay	2.7	2.5	9.6	16.9	2.5	18.0	ns
t <sub>PHL</sub>	LE to O <sub>n</sub>	3.3 ± 0.3	2.5	8.0	12.0	2.5	12.5	
t <sub>PZL</sub>	Output Enable Time	2.7	2.5	10.2	18.3	2.5	19.0	ns
t <sub>PZH</sub>	Output Disable Time	3.3 ± 0.3	2.5	8.5	13.0	2.5	13.5	
t <sub>PHZ</sub>	Output Disable Time	2.7	1.0	10.8	20.4	1.0	21.0	ns
t <sub>PLZ</sub>	Output Disable Time	3.3 ± 0.3	1.0	9.0	14.5	1.0	15.0	
t <sub>OSHL</sub>	Output to Output Skew	2.7		1.0	1.5		1.5	ns
t <sub>OSLH</sub>	(Note 9)	3.3 ± 0.3		1.0	1.5		1.5	

**Note 9:** Skew is defined as the absolute value of the difference between the actual propagation delay for any two separate outputs of the same device. The specification applies to any outputs switching in the same direction, either HIGH-to-LOW (t<sub>OSHL</sub>) or LOW-to-HIGH (t<sub>OSLH</sub>). Parameter guaranteed by design.

## AC Operating Requirements

Symbol	Parameter	V <sub>CC</sub> (V)	T <sub>A</sub> = +25°C C <sub>L</sub> = 50 pF		T <sub>A</sub> = -40°C to +85°C C <sub>L</sub> = 50 pF		Units
			Typ	Guaranteed Minimum	Typ	Guaranteed Minimum	
t <sub>S</sub>	Setup Time, HIGH or LOW	2.7 3.3 ± 0.3	0 0	4.0 3.0	4.5 3.0		ns
t <sub>H</sub>	Hold Time, HIGH or LOW	2.7 3.3 ± 0.3	0 0	1.5 1.5	1.5 1.5		ns
t <sub>W</sub>	LE Pulse Width, HIGH	2.7 3.3 ± 0.3	2.4 2.0	5.0 4.0	6.0 4.0		ns

## Capacitance

Symbol	Parameter	Typ	Units	Conditions
C <sub>IN</sub>	Input Capacitance	4.5	pF	V <sub>CC</sub> = Open
C <sub>PD</sub> (Note 10)	Power Dissipation Capacitance	39	pF	V <sub>CC</sub> = 3.3V

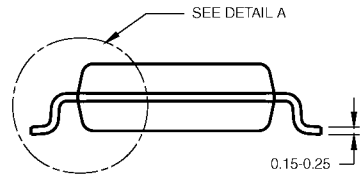
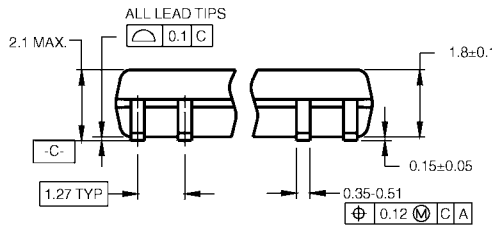
**Note 10:** C<sub>PD</sub> is measured at 10 MHz.

**Physical Dimensions** inches (millimeters) unless otherwise noted



**20-Lead Small Outline Integrated Circuit (SOIC), JEDEC MS-013, 0.300" Wide  
Package Number M20B**

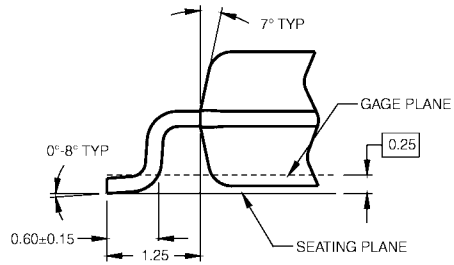
**Physical Dimensions** inches (millimeters) unless otherwise noted (Continued)



DIMENSIONS ARE IN MILLIMETERS

- NOTES:  
 A. CONFORMS TO EIAJ EDR-7320 REGISTRATION, ESTABLISHED IN DECEMBER, 1998.  
 B. DIMENSIONS ARE IN MILLIMETERS.  
 C. DIMENSIONS ARE EXCLUSIVE OF BURRS, MOLD FLASH, AND TIE BAR EXTRUSIONS.

M20DRevB1



DETAIL A

**20-Lead Small Outline Package (SOP), EIAJ TYPE II, 5.3mm Wide Package Number M20D**



## Looking for pricing, stock, or lifecycle information?

Click below to explore more details on WIN SOURCE:

- [View 74LVQ373QSCX on WIN SOURCE](#)
- [Fairchild/ON Semiconductor Information](#)

## Optimize Your Supply Chain with WIN SOURCE Solutions

- ✓ Global Sourcing Solution
- ✓ Obsolete Management
- ✓ Cost Control Management
- ✓ Shortage Management
- ✓ Alternative Solution
- ✓ Excess Inventory Management