



# THE DATASHEET OF STM7E1AR



## 7 E1 channels switch array

### Features

- Main switches max.  $R_{ON}$  less than  $2\ \Omega$
- Provides 7 auxiliary switches with  $R_{ON} < 75\ \Omega$
- 6  $V_{PP}$  amplitude of analog input signal
- Digital inputs are TTL levels compatible

### Applications

- Telecom infrastructure
- Relays replacement
- E1/T1 signals routing
- Loopback hardware diagnostic
- Line card
- Negative rail signal routing

### Description

The STM7E1A consists of 7 identical ISDN E1 channels, each channel corresponding to 4 main low-resistance switches (a and b) and 2 auxiliary switches (c and d). The switches positions in all the channels are identical and controlled by a unique control resource driven by the digital inputs  $L_m$ ,  $L_s$  and  $S_c$ .

In each channel, the TX and RX lines can be switched between a main port or a spare port by the main switches: if both "a" switches are closed and both "b" switches are open, the main port is connected to the line, while if both "a" switches are open and both "b" switches are closed, the spare port is connected to the line.

The 2 auxiliary switches enable to close a local loop between the TX and RX access of a port: if "c" is closed, the spare port RX and TX access is connected between each other to form a local



loop, while if "d" is closed, the main port RX and TX access is connected between each other to form a local loop.

The spare port is only used for test purpose on the system board while the main port is the communication channel. Consequently, a switching from the main port to the spare port occurs very rarely (< 10 times a day).

The power supplies of the chip need to be decoupled properly. This means that at least one external capacitor C1 must be connected in between GND and VPOS, one external capacitor C2 between GND and VNEG, and one external capacitor C3 between each pair of VNEG and VPOS.

**Table 1. Device summary**

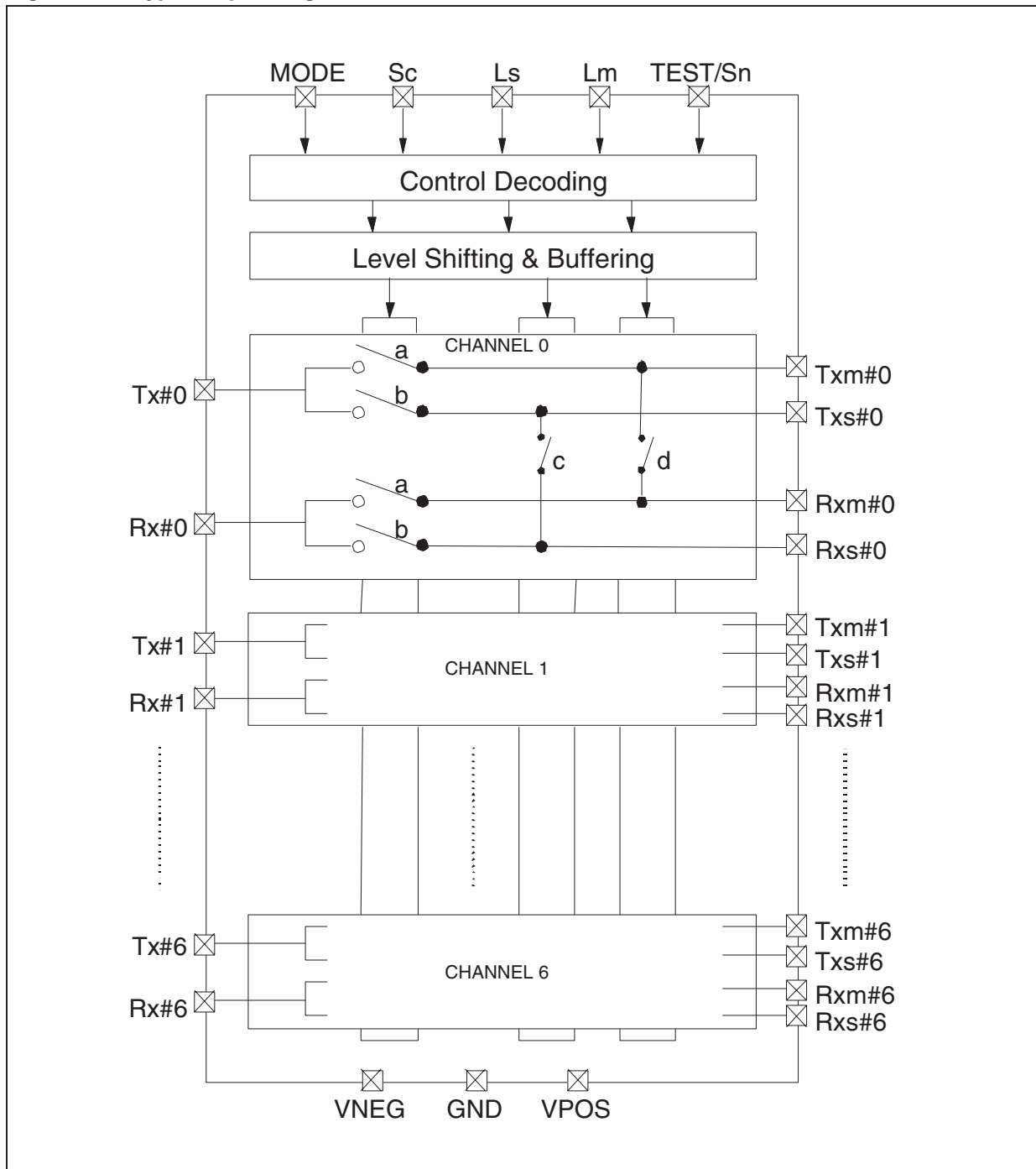
Order code	Temperature range	Package	Packaging
STM7E1AR	-40 to 85 °C	TQFP64 (tape and reel)	1000 parts per reel

# Contents

<b>1</b>	<b>Application circuit</b> .....	<b>3</b>
	1.1 Test mode description (mode = 0, test = 1) .....	5
<b>2</b>	<b>Pin configuration</b> .....	<b>6</b>
<b>3</b>	<b>Maximum ratings</b> .....	<b>9</b>
<b>4</b>	<b>Package mechanical data</b> .....	<b>12</b>
<b>5</b>	<b>Revision history</b> .....	<b>15</b>

# 1 Application circuit

Figure 1. Typical operating circuit



**Table 2. Decoding of functional mode 1 (mode = L)**

Switches	Status		Description
	Sc	a, b	
Main	Sc low	a closed, b open	Main port is connected to the line
	Sc high	a open, b closed	Spare port is connected to the line
Auxiliary	Lm low	d open	Main port local loop open
	Lm high	d closed	Main port local loop closed
	Ls low	c open	Spare port local loop open
	Ls high	c closed	Spare port local loop closed

When closing the main port local loop (Lm high), it is external system responsibility to ensure that the main port has previously been disconnected from the line (Sc has to be high). There is no internal mechanism to ensure this.

When closing the spare port local loop (Ls high), it is external system responsibility to ensure that the spare port has previously been disconnected from the line (Sc has to be high). There is no internal mechanism to ensure this.

**Table 3. Decoding of functional mode 2 (mode = H)**

Input	Outputs	
TEST/Sn	A_TX	B_TX
L	O	C
H	C	O

C = Closed

O = Open

**Table 4. Decoding of functional mode 2 (mode = H)**

Inputs			Outputs			
Sc	Lm	Ls	A_RX	B_RX	c	d
L	L	L	C	C	O	O
L	L	H	C	O	C	O
L	H	L	O	C	O	C
L	H	H	C	O	O	O
H	L	L	O	C	O	O

C = Closed

O = Open

## 1.1 Test mode description (mode = 0, test = 1)

In order to test the main switches (4-point measurement), test modes are foreseen where the main switches can be controlled independently from each other. One can enter in test mode by controlling the Sc, Lm and Ls pins according to the following table.

The digital part and auxiliary switches can be tested in functional mode

**Table 5. Test mode**

Signification	Sc	Lm	Ls
A_TX closed	H	H	L
A_RX closed	L	H	L
B_TX closed	H	L	H
B_RX closed	L	L	H
B_TX & c closed	H	L	L
A_RX & d closed	L	L	L
All main switches open	H	H	H
	L	H	H

*Note: Although there is an internal pull down in the TEST pin, an external hardware connection from TEST to GND is required on the board to work in functional, mode.*



Table 6. Pin description

Pin n°	Symbol	Type	Name and function
1, 17, 33, 47	V <sub>NEG</sub> (1)	P	Negative power supply
2	Txm#2	IOA	Channel 2: TX main port
3	Tx#2	IOA	Channel 2: TX line
4	Txs#2	IOA	Channel 2: TX spare port
5, 12, 21, 25, 29, 38, 52, 56, 60	GND	G	Voltage reference for digital inputs
6	Rxm#3	IOA	Channel 3: RX main port
7	Rx#3	IOA	Channel 3: RX line
8	Rxs#3	IOA	Channel 3: RX spare port
9	Txm#3	IOA	Channel 3: TX main port
10	Tx#3	IOA	Channel 3: TX line
11	Txs#3	IOA	Channel 3: TX spare port
13	Rxm#4	IOA	Channel 4: RX main port
14	Rx#4	IOA	Channel 4: RX line
15	Rxs#4	IOA	Channel 4: RX spare port
16, 34, 48, 64	V <sub>POS</sub> (2)	P	Positive power supply
18	Txm#4	IOA	Channel 4: TX main port
19	Tx#4	IOA	Channel 4: TX line
20	Txs#4	IOA	Channel 4: TX spare port
22	Rxm#5	IOA	Channel 5: RX main port
23	Rx#5	IOA	Channel 5: RX line
24	Rxs#5	IOA	Channel 5: RX spare port
26	Txm#5	IOA	Channel 5: TX main port
27	Tx#5	IOA	Channel 5: TX line
28	Txs#5	IOA	Channel 5: TX spare port
30	Rxm#6	IOA	Channel 6: RX main port
31	Rx#6	IOA	Channel 6: RX line
32	Rxs#6	IOA	Channel 6: RX spare port
35	Sc	I	Control digital input
36	Ls	I	Control digital input
37	Lm	I	Control digital input
39	Txm#6	IOA	Channel 6: TX main port
40	Tx#6	IOA	Channel 6: TX line
41	Txs#6	IOA	Channel 6: TX spare port
42	Mode	I	Control Digital Input
43	Rxm#0	IOA	Channel 0: RX main port

Table 6. Pin description (continued)

Pin n°	Symbol	Type	Name and function
44	Rx#0	IOA	Channel 0: RX line
45	Rxs#0	IOA	Channel 0: RX spare port
46	TEST/Sn	I	Channel 6: RX main port
49	Txm#0	IOA	Channel 0: TX main port
50	Tx#0	IOA	Channel 0: TX line
51	Txs#0	IOA	Channel 0: TX spare port
53	Rxm#1	IOA	Channel 1: RX main port
54	Rx#1	IOA	Channel 1: RX line
55	Rxs#1	IOA	Channel 1: RX spare port
57	Txm#1	IOA	Channel 1: TX main port
58	Tx#1	IOA	Channel 1: TX line
59	Txs#1	IOA	Channel 1: TX spare port
61	Rxm#2	IOA	Channel 2: RX main port
62	Rx#2	IOA	Channel 2: RX line
63	Rxs#2	IOA	Channel 2: RX spare port

Note: 1 All VNEG pins to be connected together on board.

2 All VPOS pins to be connected together on board.

### 3 Maximum ratings

**Table 7. Absolute maximum ratings**

Symbol	Description	Min.	Max.	Unit
V <sub>POS</sub>	Positive power supply voltage	V <sub>NEG</sub> - 0.3	V <sub>NEG</sub> + 7	V
GND	Reference ground	V <sub>NEG</sub> - 0.3	V <sub>NEG</sub> + 7	V
V <sub>IN</sub>	Input voltage for digital inputs and analog input/output pins	V <sub>NEG</sub> - 0.3	V <sub>NEG</sub> + 7	V

*Note:* Absolute maximum ratings are those values beyond which damage to the device may occur. Functional operation under these condition is not implied.

**Table 8. Recommended operating conditions**

Symbol	Parameter	Min.	Typ.	Max.	Unit
V <sub>POS</sub>	Positive power supply voltage	3.3 - 5%		3.3 + 5%	V
V <sub>NEG</sub>	Negative power supply voltage	-3.3 - 5%		-3.3 + 5%	V
T <sub>amb</sub>	Ambient temperature	-25		85	°C
T <sub>J</sub>	Junction temperature	-25		120	°C
I <sub>peak, switch</sub>	Admissible peak current in 1 switch			300	mA
C <sub>Ia</sub>	Load capacitance on ASIC output			70	pF

**Table 9. Digital part specifications**

Symbol	Parameter	Value			Unit
		Min.	Typ.	Max.	
V <sub>IL</sub>	Low input level	0		0.8	V
V <sub>IH</sub>	High input level	2		V <sub>POS</sub>	V
V <sub>IT</sub>	Low-high switching threshold voltage		1.6		V
I <sub>leak</sub>	Input leakage current	-3		3	μA

Table 10. Analog part specifications

Symbol	Parameter	Test condition	Value			Unit
			Min.	Typ.	Max.	
$R_{ON(main)}^{(1)}$	On-resistance of the main switches			1.6	2	$\Omega$
$R_{ON(aux)}^{(1)}$	On-resistance of the auxiliary switches			50	75	$\Omega$
$\Delta R_{ON(main)}^{(1)}$	Difference of $R_{ON}$ between devices	$V_{IN} = 2V, T_A = 25^\circ C$		0.5		$\Omega$
$\Delta R_{ON(main)}^{(1)}$	Difference of $R_{ON}$ between switches of the same device	$V_{IN} = 2V, T_A = 25^\circ C$			0.8	$\Omega$
$R_{OFF}^{(1)}$	Off-resistance of the main and auxiliary switches		100			k $\Omega$
$C_{ON}^{(2)}$	Capacitance at any switch pin, switch ON			120		pF
$C_{OFF}^{(2)}$	Capacitance at any switch pin, switch OFF			40		pF
$A_{peak,signal}^{(1)(3)}$	Peak amplitude of the signal at switch pins		-3		3	$V_p$
$f_{signal}^{(1)(4)}$	Frequency of the signal at switch pins (3dB bandwidth)		50		12000	kHz
Cross-talk <sup>(1)(5)</sup>	Cross-talk between lines			4	8	mV <sub>rms</sub>
t	Switch time of the main switches (a and b)			0.15	1	$\mu s$

1. All the parameters are valid only with a 75  $\Omega$  (5%) load to GND.
2. Not tested in production.
3. Measured with a 5 V DC voltage applied to a closed switch.
4. Measured with a 2  $V_{PP}$  signal.
5. Measured with the line connected to GND at one side with a 75  $\Omega$  resistor and all the other lines driven by a 1 MHz, 2  $V_{PP}$  sine wave signal.

**Note:** During the switching between the main and spare ports, the behavior of the component is not guaranteed: both main switches can be open (break before make).

**Note:** 1 Measured with the line switching from a 2.5 V DC level (main or spare port) to a -2.5 V DC level (spare or main port).

Table 11. Current consumption specifications

Symbol	Parameter	Value			Unit
		Min.	Typ.	Max.	
$P_{\text{main}}^{(1)}$	Maximal average power dissipation in the main switches			40	mW
$P_{\text{aux}}^{(1)}$	Maximal average power dissipation in the auxiliary switches			150	mW
$I_{\text{STDBY}}(\text{VNEG})^{(1)(2)}$	Standby (no switching) current of VNEG	-500		500	$\mu\text{A}$
$I_{\text{STDBY}}(\text{VPOS})^{(1)(2)}$	Standby (no switching) current of VPOS	-500		500	$\mu\text{A}$
$E_{\text{SWITCH}}(\text{VNEG})^{(1)}$	Energy to be delivered to by VPOS when switching	-100		100	nJ
$E_{\text{SWITCH}}(\text{VPOS})^{(1)}$	Energy to be delivered to by VPOS when switching	-100		100	nJ

1. These parameters are not tested in production.

2. Only valid with digital inputs to GND or VPOS levels.

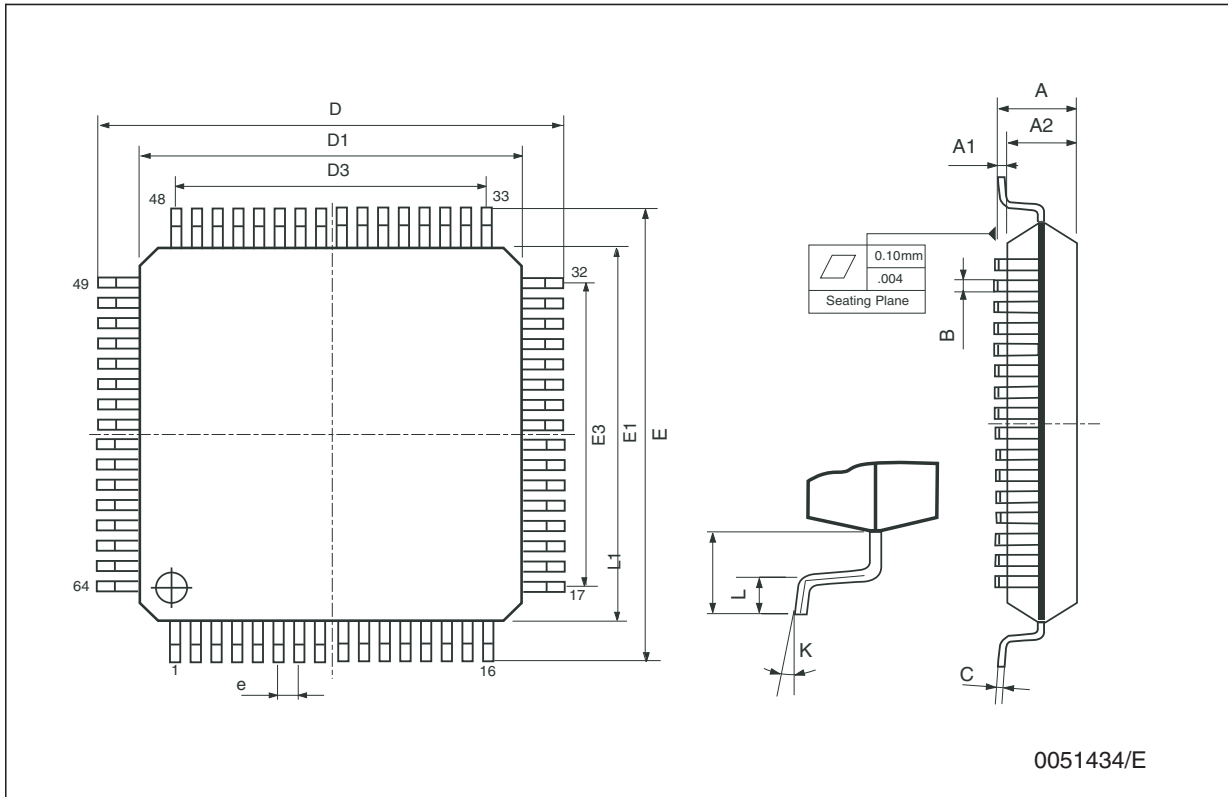
*Note:* This power is not delivered by  $V_{\text{POS}}$  and  $V_{\text{NEG}}$  supplies but by the signal sources.

## 4 Package mechanical data

In order to meet environmental requirements, ST offers these devices in different grades of ECOPACK® packages, depending on their level of environmental compliance. ECOPACK® specifications, grade definitions and product status are available at: [www.st.com](http://www.st.com). ECOPACK® is an ST trademark.

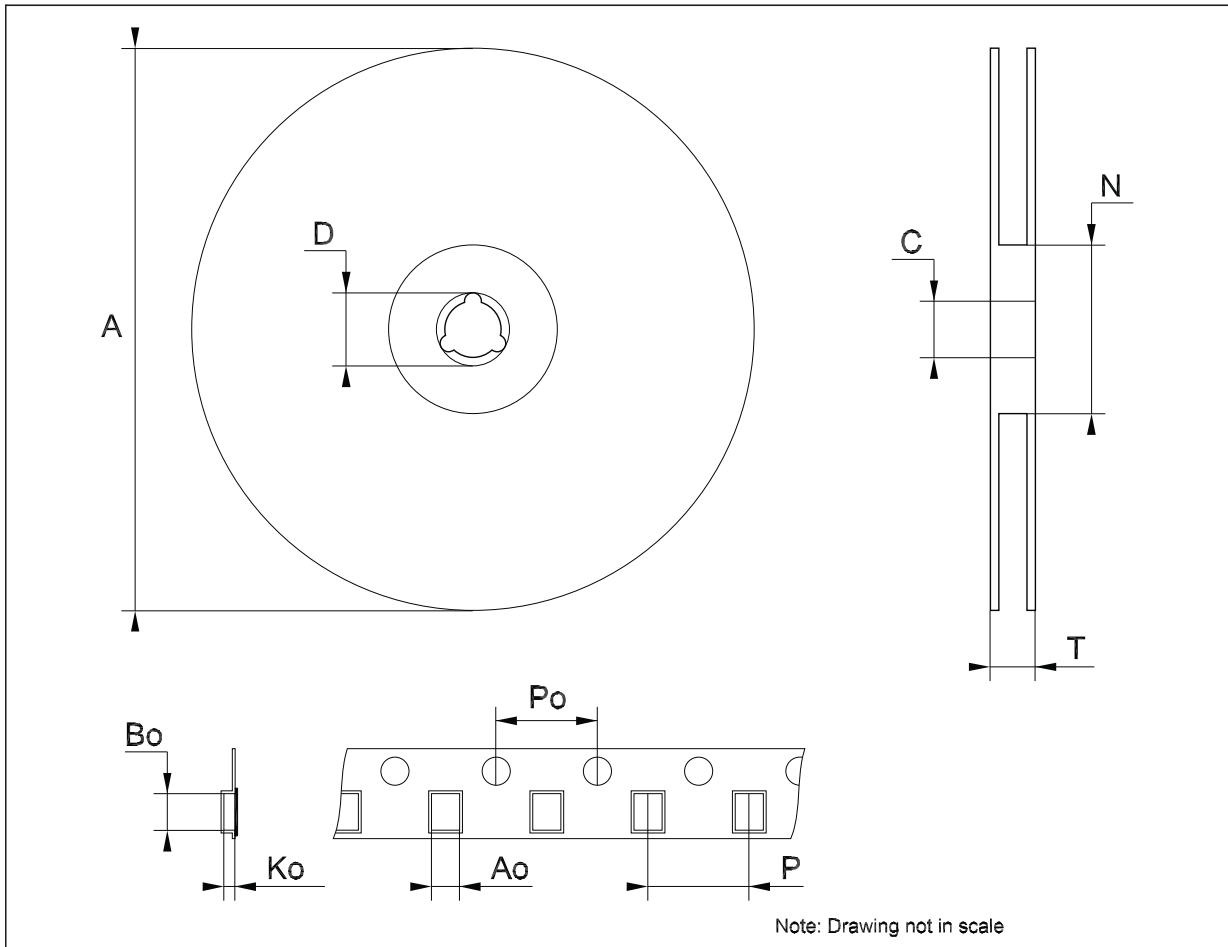
**TQFP64 mechanical data**

Dim.	mm.			inch.		
	Min.	Typ.	Max.	Min.	Typ.	Max.
A			1.6			0.063
A1	0.05		0.15	0.002		0.006
A2	1.35	1.40	1.45	0.053	0.055	0.057
B	0.17	0.22	0.27	0.007	0.009	0.011
C	0.09		0.20	0.004		0.008
D	11.80	12.00	12.20	0.465	0.472	0.480
D1	9.80	10.00	10.20	0.386	0.394	0.402
D3		7.50			0.295	
E	11.80	12.00	12.20	0.465	0.472	0.480
E1	9.80	10.00	10.20	0.386	0.394	0.402
E3		7.50			0.295	
e		0.50			0.020	
L	0.45	0.60	0.75	0.018	0.024	0.030
L1		1.00			0.039	
K	0°	3.5°	7°	0°	3.5°	7°



**Tape & reel TQFP64 mechanical data**

Dim.	mm.			inch.		
	Min.	Typ.	Max.	Min.	Typ.	Max.
A			330			12.992
C	12.8		13.2	0.504		0.519
D	20.2			0.795		
N	60			2.362		
T			30.4			1.196
Ao	12.25		12.45	0.482		0.490
Bo	12.25		12.45	0.482		0.490
Ko	2.1		2.3	0.083		0.091
Po	3.9		4.1	0.153		0.161
P	15.9		16.1	0.626		0.639



## 5 Revision history

Table 12. Document revision history

Date	Revision	Changes
15-Nov-2007	3	Added <i>Table 1 on page 1</i>
01-Oct-2009	4	Modified $I_{leak}$ value <i>Table 9 on page 9</i>

**Please Read Carefully:**

Information in this document is provided solely in connection with ST products. STMicroelectronics NV and its subsidiaries ("ST") reserve the right to make changes, corrections, modifications or improvements, to this document, and the products and services described herein at any time, without notice.

All ST products are sold pursuant to ST's terms and conditions of sale.

Purchasers are solely responsible for the choice, selection and use of the ST products and services described herein, and ST assumes no liability whatsoever relating to the choice, selection or use of the ST products and services described herein.

No license, express or implied, by estoppel or otherwise, to any intellectual property rights is granted under this document. If any part of this document refers to any third party products or services it shall not be deemed a license grant by ST for the use of such third party products or services, or any intellectual property contained therein or considered as a warranty covering the use in any manner whatsoever of such third party products or services or any intellectual property contained therein.

**UNLESS OTHERWISE SET FORTH IN ST'S TERMS AND CONDITIONS OF SALE ST DISCLAIMS ANY EXPRESS OR IMPLIED WARRANTY WITH RESPECT TO THE USE AND/OR SALE OF ST PRODUCTS INCLUDING WITHOUT LIMITATION IMPLIED WARRANTIES OF MERCHANTABILITY, FITNESS FOR A PARTICULAR PURPOSE (AND THEIR EQUIVALENTS UNDER THE LAWS OF ANY JURISDICTION), OR INFRINGEMENT OF ANY PATENT, COPYRIGHT OR OTHER INTELLECTUAL PROPERTY RIGHT.**

**UNLESS EXPRESSLY APPROVED IN WRITING BY AN AUTHORIZED ST REPRESENTATIVE, ST PRODUCTS ARE NOT RECOMMENDED, AUTHORIZED OR WARRANTED FOR USE IN MILITARY, AIR CRAFT, SPACE, LIFE SAVING, OR LIFE SUSTAINING APPLICATIONS, NOR IN PRODUCTS OR SYSTEMS WHERE FAILURE OR MALFUNCTION MAY RESULT IN PERSONAL INJURY, DEATH, OR SEVERE PROPERTY OR ENVIRONMENTAL DAMAGE. ST PRODUCTS WHICH ARE NOT SPECIFIED AS "AUTOMOTIVE GRADE" MAY ONLY BE USED IN AUTOMOTIVE APPLICATIONS AT USER'S OWN RISK.**

Resale of ST products with provisions different from the statements and/or technical features set forth in this document shall immediately void any warranty granted by ST for the ST product or service described herein and shall not create or extend in any manner whatsoever, any liability of ST.

ST and the ST logo are trademarks or registered trademarks of ST in various countries.

Information in this document supersedes and replaces all information previously supplied.

The ST logo is a registered trademark of STMicroelectronics. All other names are the property of their respective owners.

© 2009 STMicroelectronics - All rights reserved

STMicroelectronics group of companies

Australia - Belgium - Brazil - Canada - China - Czech Republic - Finland - France - Germany - Hong Kong - India - Israel - Italy - Japan - Malaysia - Malta - Morocco - Philippines - Singapore - Spain - Sweden - Switzerland - United Kingdom - United States of America

[www.st.com](http://www.st.com)

## Looking for pricing, stock, or lifecycle information?

Click below to explore more details on WIN SOURCE:

 [View STM7E1AR on WIN SOURCE](#)

 [STMicroelectronics](#) Information

## Optimize Your Supply Chain with WIN SOURCE Solutions

-  Global Sourcing Solution
-  Obsolete Management
-  Cost Control Management
-  Shortage Management
-  Alternative Solution
-  Excess Inventory Management