

The SST13LP05 is a fully matched, dual-band power amplifier module (PAM) based on the highly-reliable InGaP/GaAs HBT technology. This PAM provides excellent RF performance, temperature-stable power detectors, and low-current analog on/off control interfaces. The SST13LP05 provides stable RF and power detector performance over a large VCC power supply variation, with an ultra-low shut-down current. The SST13LP05 is ideal for the final stage power amplification in both battery-powered 802.11a/b/g WLAN transmitters and access point applications.

Features

- **High Gain:**
 - Typically 29 dB gain across 2.4-2.5 GHz
 - Typically 29-26 dB gain across 4.9-5.8 GHz/10/12
- **High linear output power:**
 - >25 dBm P1dB (Pulsed single-tone signal) across 2.4-2.5 GHz
 - Meets 802.11b OFDM ACPR requirement up to 23.5 dBm across 2.4-2.5 GHz
 - Meets 802.11g OFDM ACPR requirement up to 23 dBm across 2.4-2.5 GHz
 - Added EVM ~4% up to 19 dBm for 54 Mbps 802.11g signal across 2.4-2.5 GHz
 - >24 dBm P1dB across 4.9-5.8 GHz
 - Meets 802.11a OFDM ACPR requirement up to 22.5 dBm across 4.9-5.8 GHz
 - Added EVM ~4% up to 18 dBm for 54 Mbps 802.11a signal across 4.9-5.8 GHz
- **High power-added efficiency/Low operating current for 802.11a/b/g applications**
 - ~160 mA @ P_{OUT} = 19 dBm for 802.11g
 - ~235 mA @ P_{OUT} = 23.5 dBm for 802.11b
 - ~270 mA @ P_{OUT} = 18 dBm for 802.11a
- **Built-in Ultra-low I_{REF} power-up/down control**
 - I_{REF} < 2 mA
- **High-speed power-up/down**
 - Turn on/off time (10%-90%) <100 ns
 - Typical power-up/down delay with driver delay included <200 ns
- **High temperature stability**
 - ~1 dB gain/power variation between 0°C to +85°C across 2.4-2.5 GHz
 - ~3/1 dB gain/max linear power variation between 0°C to +85°C across 4.9-5.8 GHz
 - ±0.5 dB detector variation between 0°C to +85°C

- **Low shut-down current (< 2 µA)**
- **20 dB dynamic range on-chip power detection**
- **Built-in input/output matching**
- **Packages available**
 - 16-contact LGA package (4mm x 4mm)
- **All non-Pb (lead-free) devices are ROHS compliant.**

Applications

- **WLAN (IEEE 802.11a/g/b)**
- **Japanese WLAN**
- **HyperLAN2**
- **Multimedia**
- **Home RF**
- **Cordless phones**

Product Description

The SST13LP05 is a fully matched, dual-band power amplifier module (PAM) based on the highly-reliable InGaP/GaAs HBT technology. This PAM provides excellent RF performance, temperature-stable power detectors, and low-current analog on/off control interfaces. The SST13LP05 provides stable RF and power detector performance over a large V_{CC} power supply variation, with an ultra-low shut-down current.

With a near-zero Rest of Bill of Materials (RBOM), the SST13LP05 is designed for 802.11a/b/g applications covering frequency bands 2.4-2.5 GHz and 4.9-5.8 GHz for U.S., European, and Japanese markets.

The SST13LP05 has excellent linearity, typically 4% added Error Vector Magnitude (EVM) at 19 dBm output power. This output power is essential for 54 Mbps 802.11g operation while meeting 802.11g spectrum mask at 23 dBm and 802.11b spectrum mask at 23.5 dBm. For 802.11a operation, the SST13LP05 typically demonstrates <4% added EVM at 18 dBm output power while meeting 802.11a spectrum mask at 22.5 dBm.

The SST13LP05 also has wide-range (>20 dB), temperature-stable (± 0.5 dB across 0°C to $+85^{\circ}\text{C}$), directionally-coupled, power detectors which provide a reliable and cost-effective solution to board-level power control. The device's analog on/off control can be driven by an analog or digital control signal from either a transceiver or baseband chip.

These features, coupled with low operating current, make the SST13LP05 ideal for the final stage power amplification in both battery-powered 802.11a/b/g WLAN transmitters and access point applications.

The SST13LP05 is offered in a 16-contact LGA package. See Figure 2 for pin assignments and Table 1 for pin descriptions.

Functional Blocks

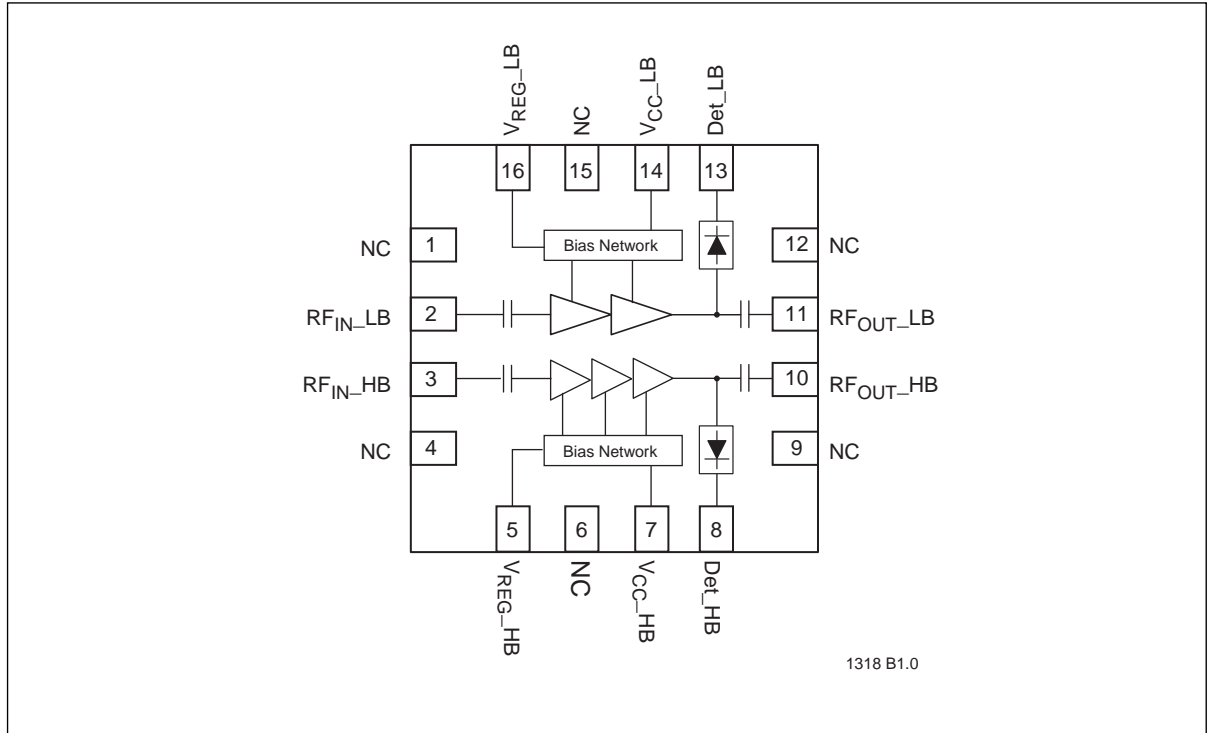


Figure 1: Functional Block Diagram

Pin Assignments

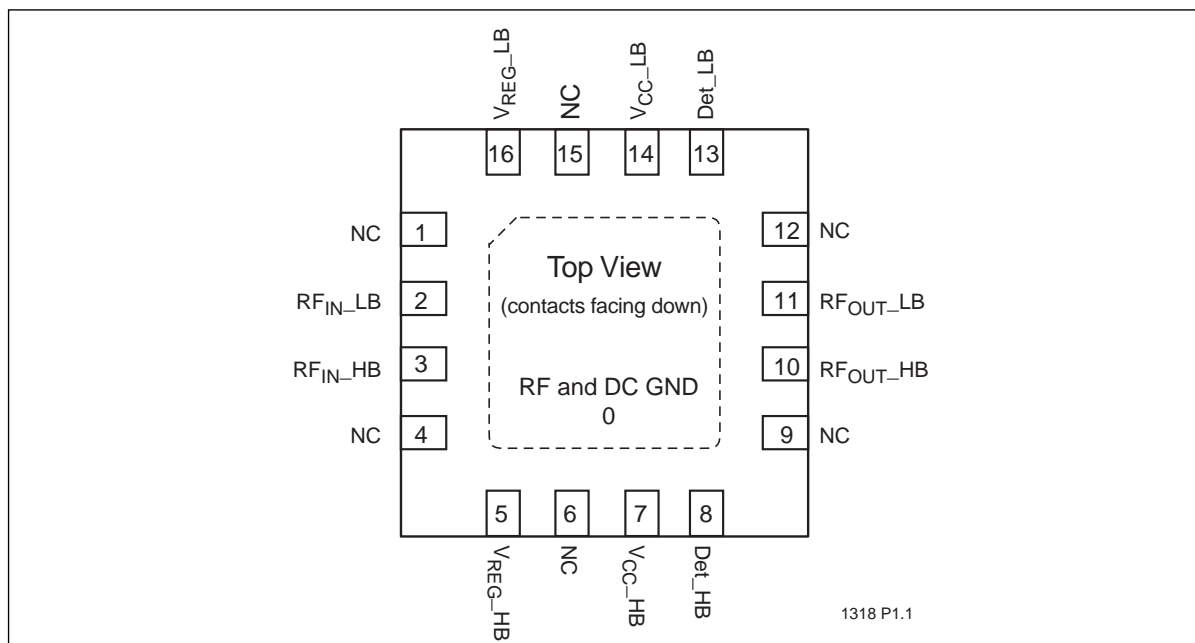


Figure 2: Pin Assignments for 16-contact LGA

Pin Descriptions

Table 1: Pin Description

Symbol	Pin No.	Pin Name	Type	Function
GND	0	Ground		Ground Pad
NC	1	No Connection		Unconnected Pin
RF _{IN_LB}	2		I	50Ω Matched RF Input for Low Band, AC coupled
RF _{IN_HB}	3		I	50Ω Matched RF Input for High Band, AC coupled
NC	4	No Connection		Unconnected Pin
V _{REG_HB}	5	Power Supply	PWR	Analog current control for High Band
NC	6	No Connection		Unconnected Pin
V _{CC_HB}	7	Power Supply	PWR	V _{CC} Power Supply for High Band
DET _{HB}	8		O	Detector Voltage Output for High Band
NC	9	No Connection		Unconnected Pin
RF _{OUT_HB}	10	Power Supply	O/PWR	50Ω Matched RF output for High Band
RF _{OUT_LB}	11	Power Supply	O/PWR	50Ω Matched RF output for Low Band
NC	12	No Connection		Unconnected Pin
DET _{LB}	13		O	Detector Voltage Output for Low Band
V _{CC_LB}	14	Power Supply	PWR	V _{CC} Power Supply for Low Band
NC	15	No Connection		Unconnected Pin
V _{REG_LB}	16	Power Supply	PWR	Analog current control for Low Band

T1.0 75032

Electrical Specifications

The AC and DC specifications for the power amplifier interface signals. Refer to Tables 2 and 4 for the DC voltage and current specifications. Refer to Figures 3 through 22 for the RF performance.

Absolute Maximum Stress Ratings Applied conditions greater than those listed under “Absolute Maximum Stress Ratings” may cause permanent damage to the device. This is a stress rating only and functional operation of the device at these conditions or conditions greater than those defined in the operational sections of this data sheet is not implied. Exposure to absolute maximum stress rating conditions may affect device reliability.

Supply Voltage (V_{CC})	-0.3V to +3.6V
Reference Voltage (V_{REF})	-0.3V to +3.3V
DC supply current (I_{CC})	400 mA
Operating Temperature (T_A)	-40°C to +85°C
Storage Temperature (T_{STG})	-40°C to +120°C
Maximum Junction Temperature (T_J)	+150°C

For 802.11b/g Operation

Table 2: DC Electrical Characteristics

Symbol	Parameter	Min.	Typ	Max.	Unit
V_{CC}	Supply Voltage	3.0	3.3	3.6	V
I_{CC}	Supply Current				
	for 802.11g, 19 dBm		160		mA
	for 802.11b, 23.5 dBm		235		mA
I_{REG}	Analog control current at On state			2	mA
V_{REG}	Reference Voltage		2.95		V

T2.0 75032

Table 3: AC Electrical Characteristics for Configuration

Symbol	Parameter	Min.	Typ	Max.	Unit
F_{L-U}	Frequency range	2.4		2.5	GHz
G	Small signal gain	28	29		dB
G_{VAR1}	Gain variation over temperature 0°C – 85°C	-1		1	dB
G_{VAR2}	Gain flatness over any 50 MHz bandwidth	-0.3		0.3	dB
ACPR	Meet 11b spectrum mask	22	23		dBm
	Meet 11g OFDM 54 Mbps spectrum mask	22	23		dBm
Added EVM	$P_{OUT} = 19$ dBm with 54Mbps			-28	dB
	11g OFDM signal when operating at 3.3V Vcc			4	%
2f, 3f, 4f, 5f	Harmonics at $P_{OUT} = 20$ dBm			-50	dBc
	Spurious non-harmonics at $P_{OUT} = 20$ dBm			-60	dBc
	In/Out return loss at 50 Ω nominal impedance	6			dB

T3.0 75032

For 802.11a Operation

Table 4: DC Electrical Characteristics

Symbol	Parameter	Min.	Typ	Max.	Unit
V _{CC}	Supply Voltage	3	3.3	3.6	V
I _{CC}	Supply Current for 802.11a, 18 dBm		270		mA
I _{REG}	Analog control current at On state			2	μA
V _{REG}	Reference Voltage		2.95		V

T4.1 75032

Table 5: AC Electrical Characteristics for Configuration

Symbol	Parameter	Min.	Typ	Max.	Unit
F _{L-U}	Frequency range	4.92		5.805	GHz
G	Small signal gain across 4.9- 5.8 GHz	26			dB
G _{VAR1}	Gain variation over temperature 0°C – 85°C	-1		1	dB
G _{VAR2}	Gain flatness over any 100 MHz bandwidth	-0.5		0.5	dB
ACPR	Meet 11a OFDM 54 Mbps spectrum mask	22	22.5		dBm
Added EVM	P _{OUT} = 18 dBm with 54Mbps 11aOFDM signal when operating at 3.3V Vcc			-28 4	dB %
2f, 3f, 4f, 5f	Harmonics at 20 dBm			-45	dBc

T5.1 75032

Typical Low Band Performance for 802.11b/g

Test Conditions: $V_{CC} = 3.3V$, $T_A = 25^\circ C$, $V_{REF} = 2.95V$ unless otherwise noted

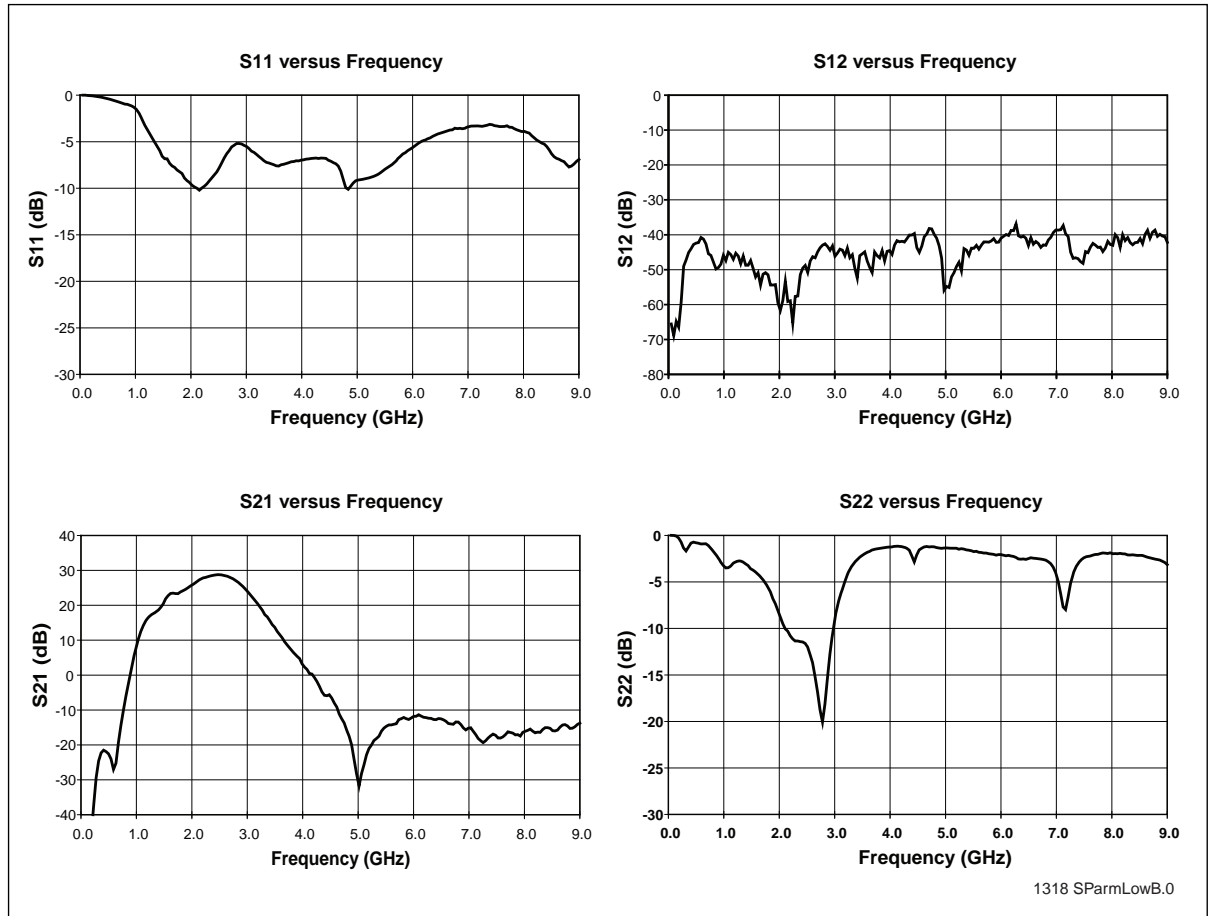


Figure 3: Low Band S-Parameters

Test Conditions: $V_{CC} = 3.3\text{ V}$, $V_{REF} = 2.95\text{ V}$, 54 Mbps 802.11g OFDM signal

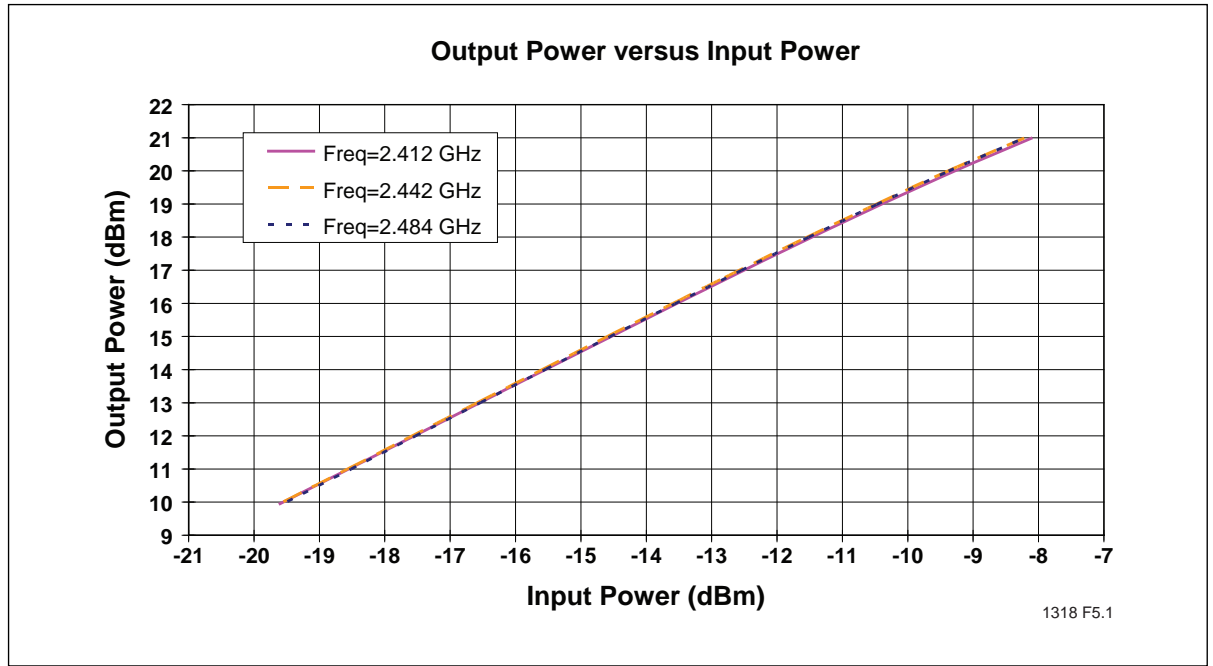


Figure 4: Low Band Output Power versus Input Power

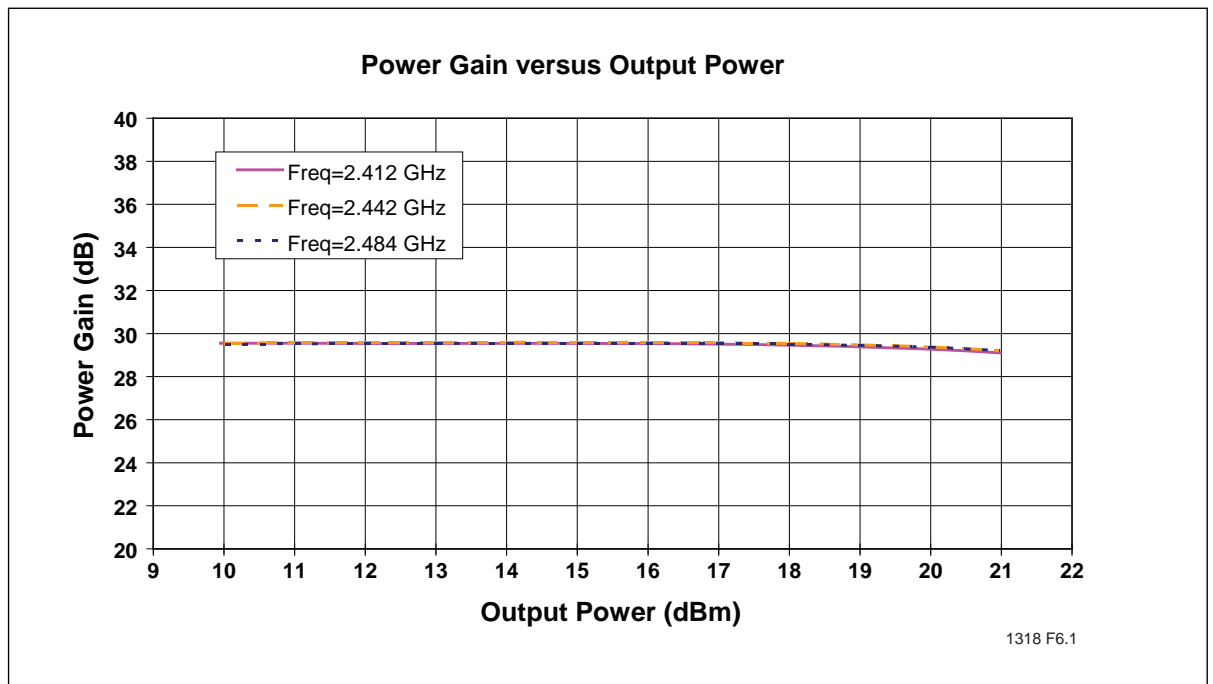


Figure 5: Low Band Power Gain versus Output Power

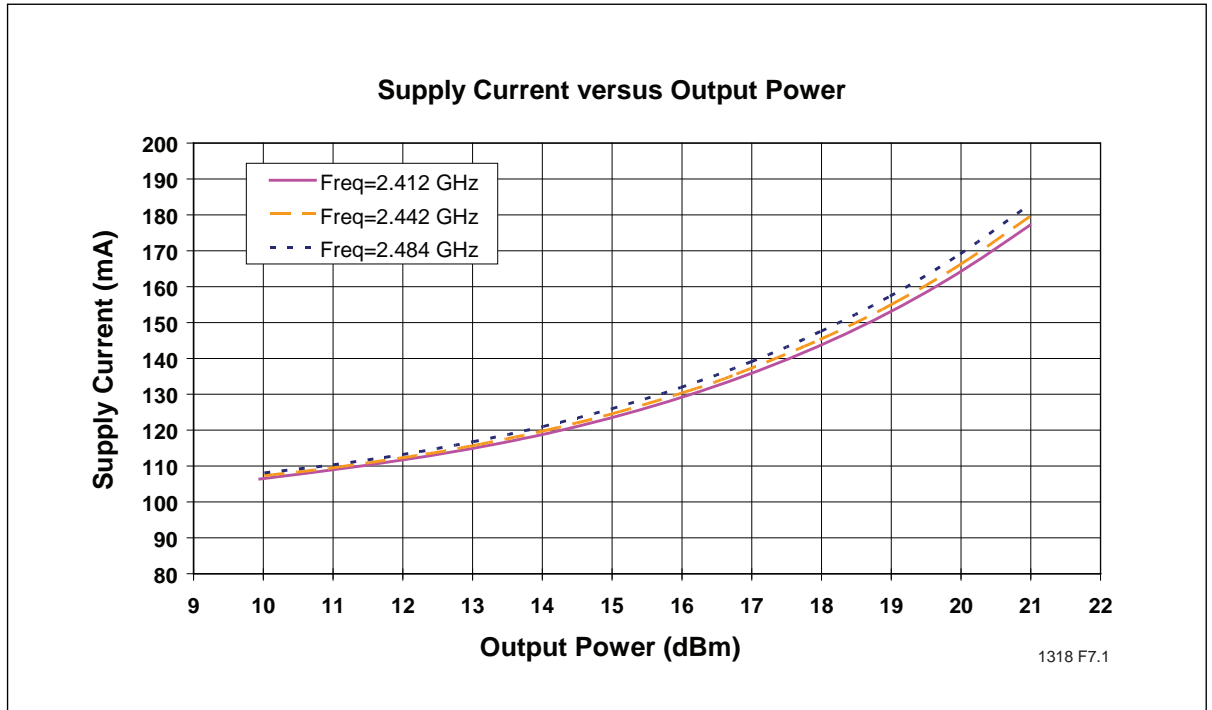


Figure 6: Low Band Supply Current versus Output Power

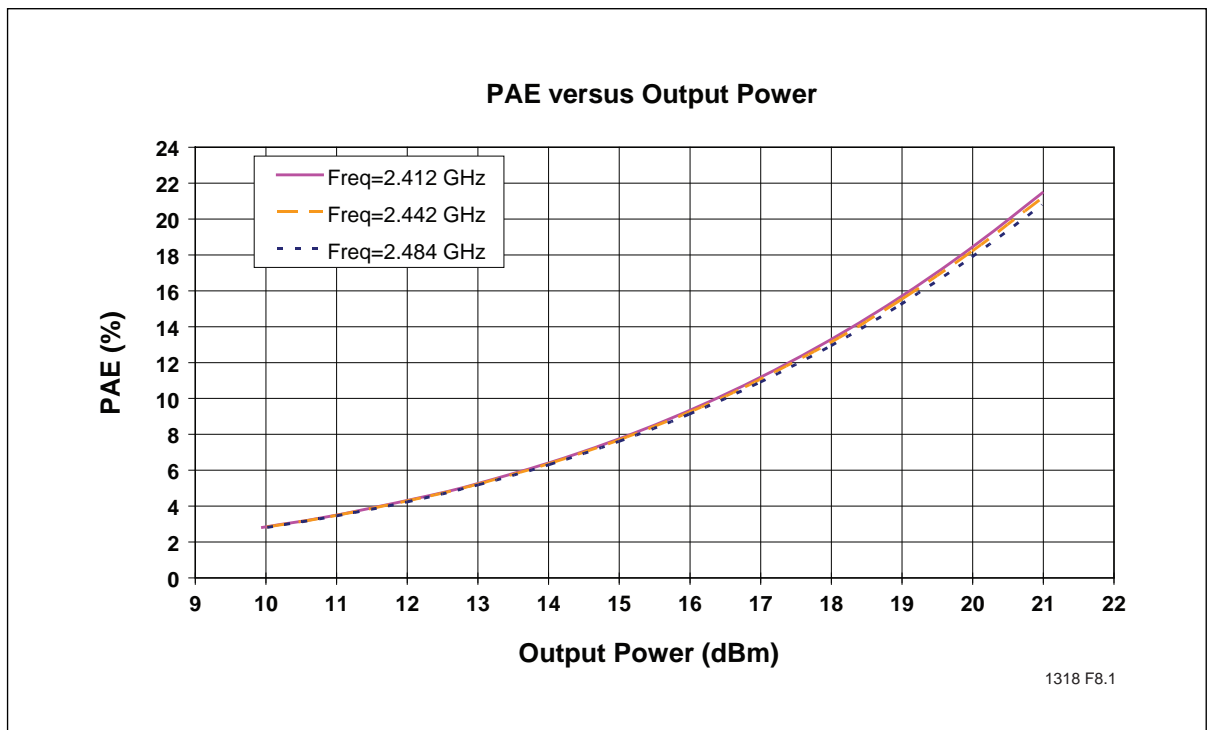


Figure 7: Low Band PAE versus Output Power

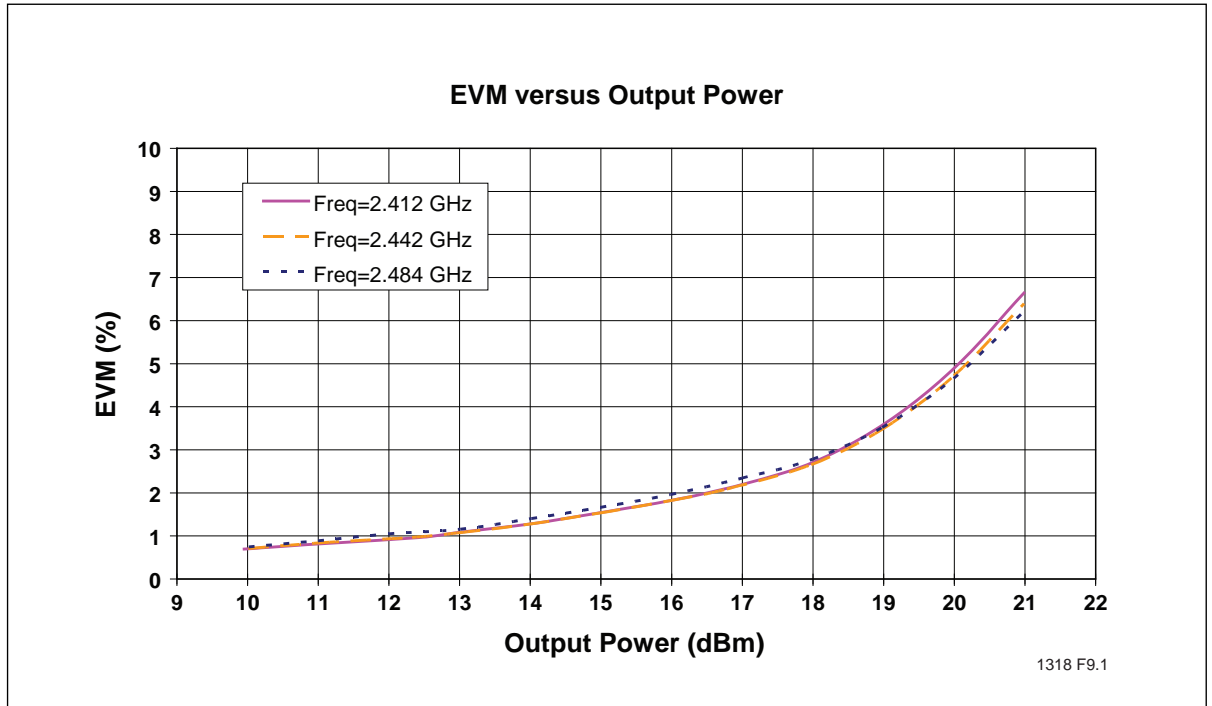


Figure 8: Low Band EMV versus Output Power, Measured with Sequence-plus-data Equalizer Training

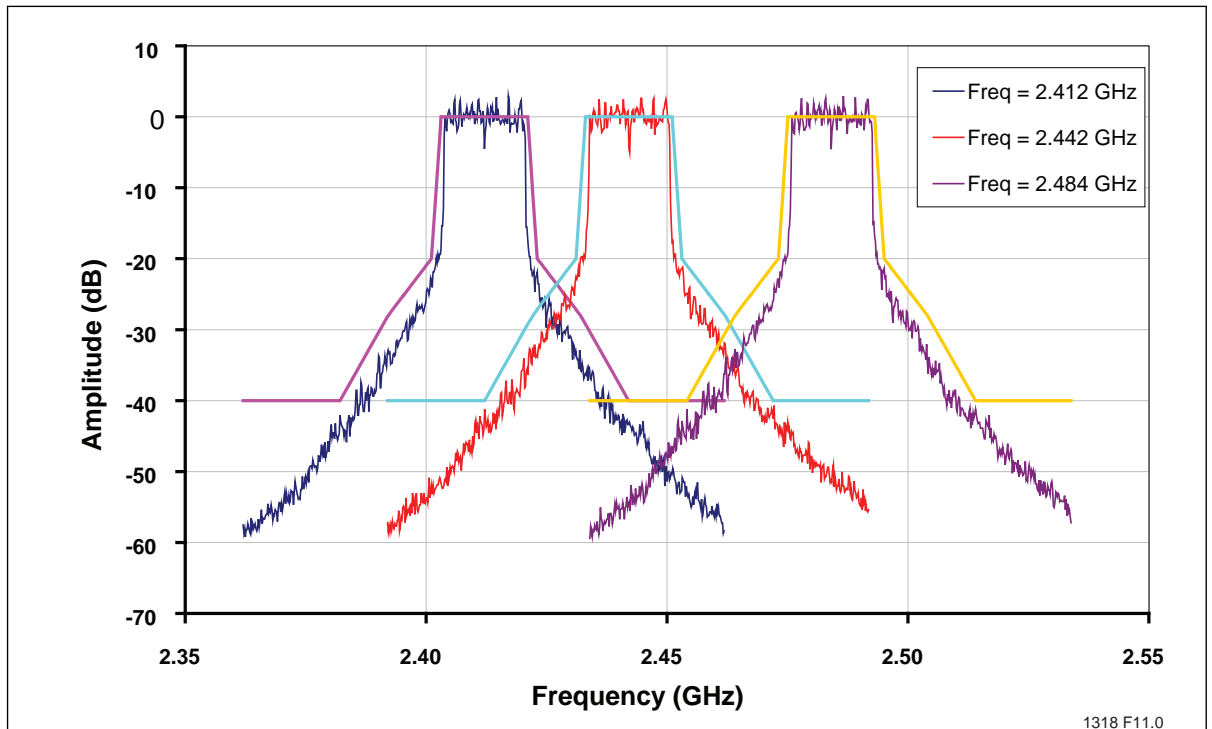


Figure 9: Low Band 802.11b Spectrum Mask at 23 dBm with DC Current of 220 mA

Test Conditions: $V_{CC} = 3.3V$, $V_{REF} = 2.95V$, $T_A = 25^\circ C$, 1 Mbps 802.11b CCK Signal

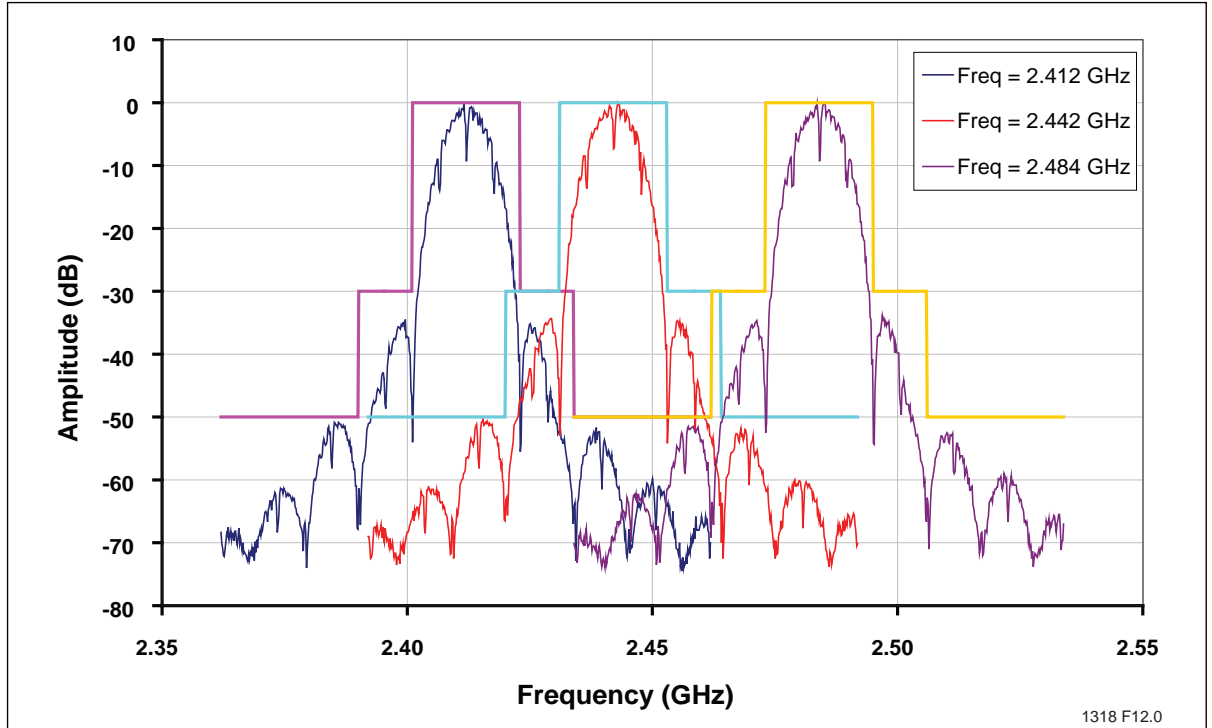


Figure 10: Low Band 802.11b Spectrum Mask at 23.5 dBm with DC Current of 235 mA

Low Band Power Detector Characteristics

Test Conditions: $V_{CC} = 3.3V$, $V_{REF} = 2.95V$, $T_A = 25^\circ C$, 54 Mbps 802.11g OFDM Signal

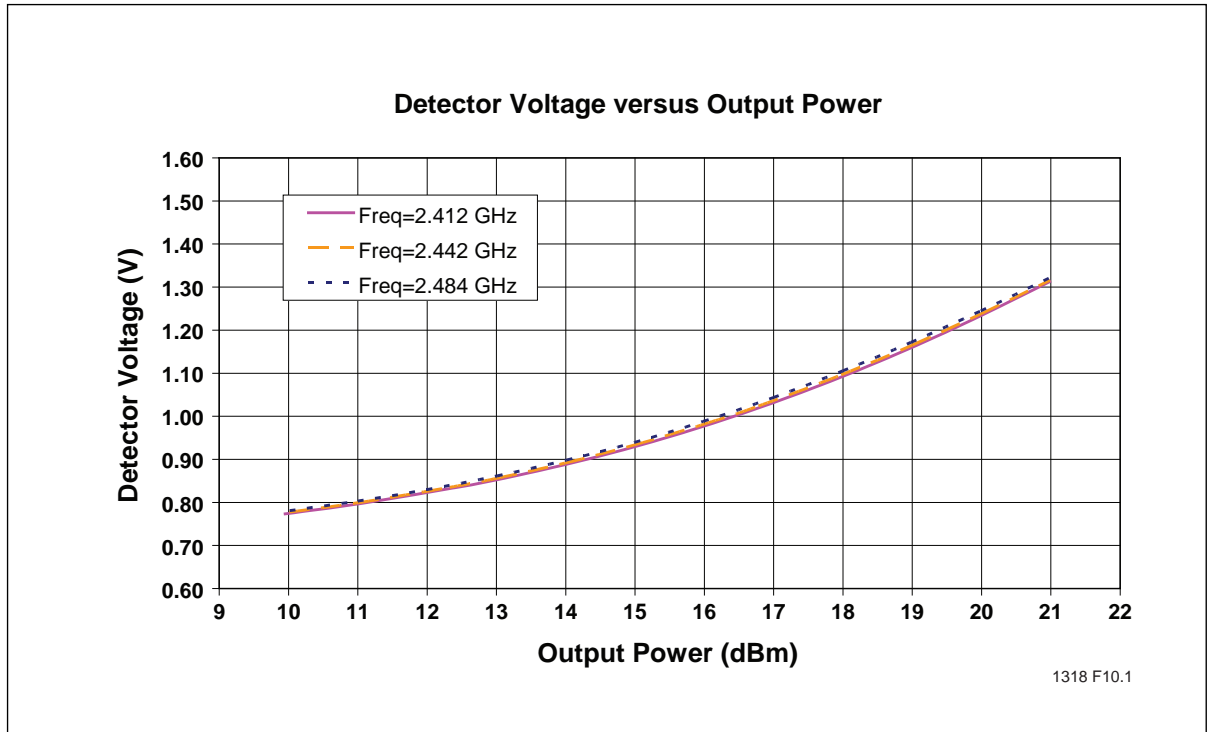


Figure 11: Low Band Detector Voltage versus Output Power

Typical High Band Performance for 802.11a

Test Conditions: $V_{CC} = 3.3V$, $T_A = 25^\circ C$, $V_{REF} = 2.95V$ unless otherwise noted

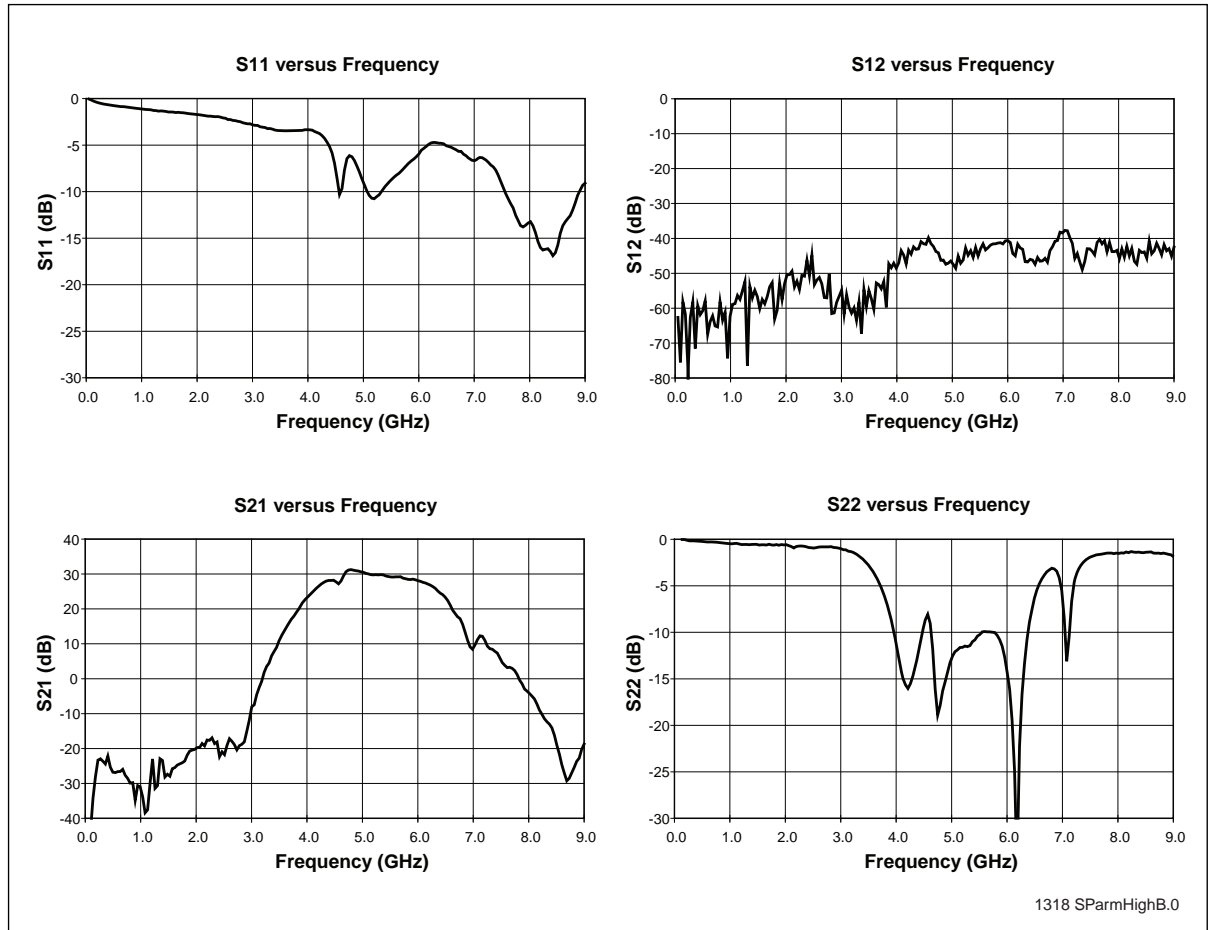


Figure 12: High Band S-Parameters

Test Conditions: $V_{CC} = 3.3V$, $V_{REF} = 2.95V$, 54 Mbps 802.11a OFDM Signal

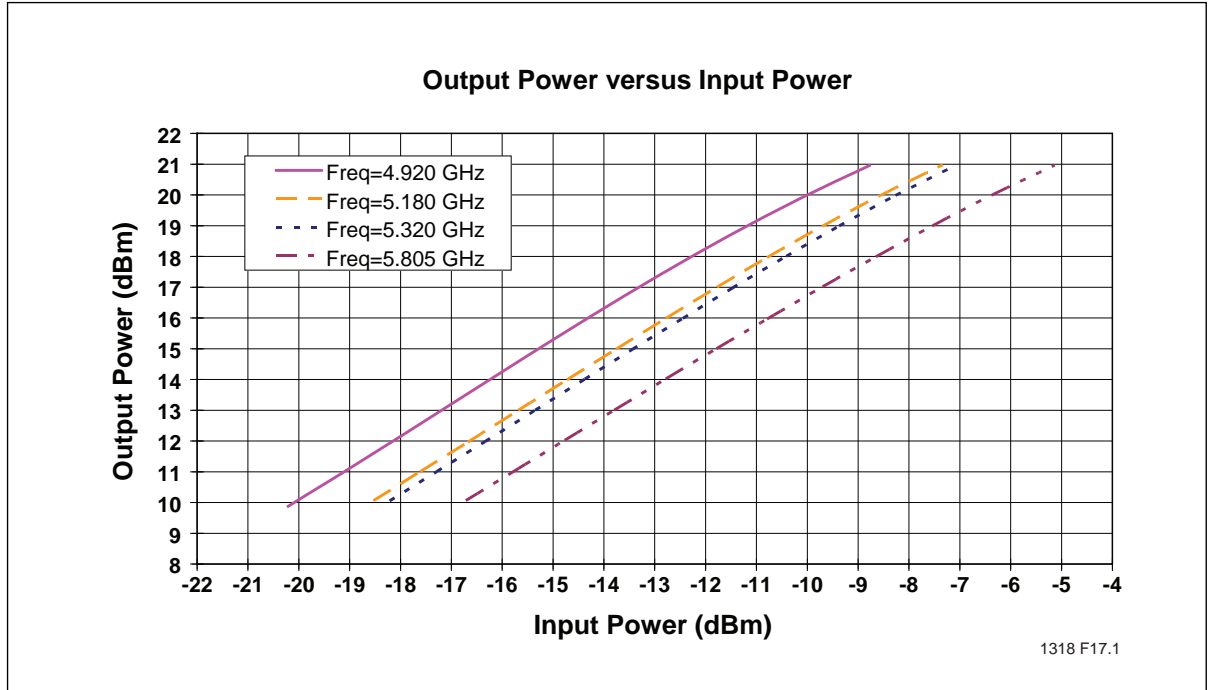


Figure 13: High Band Output Power versus Input Power

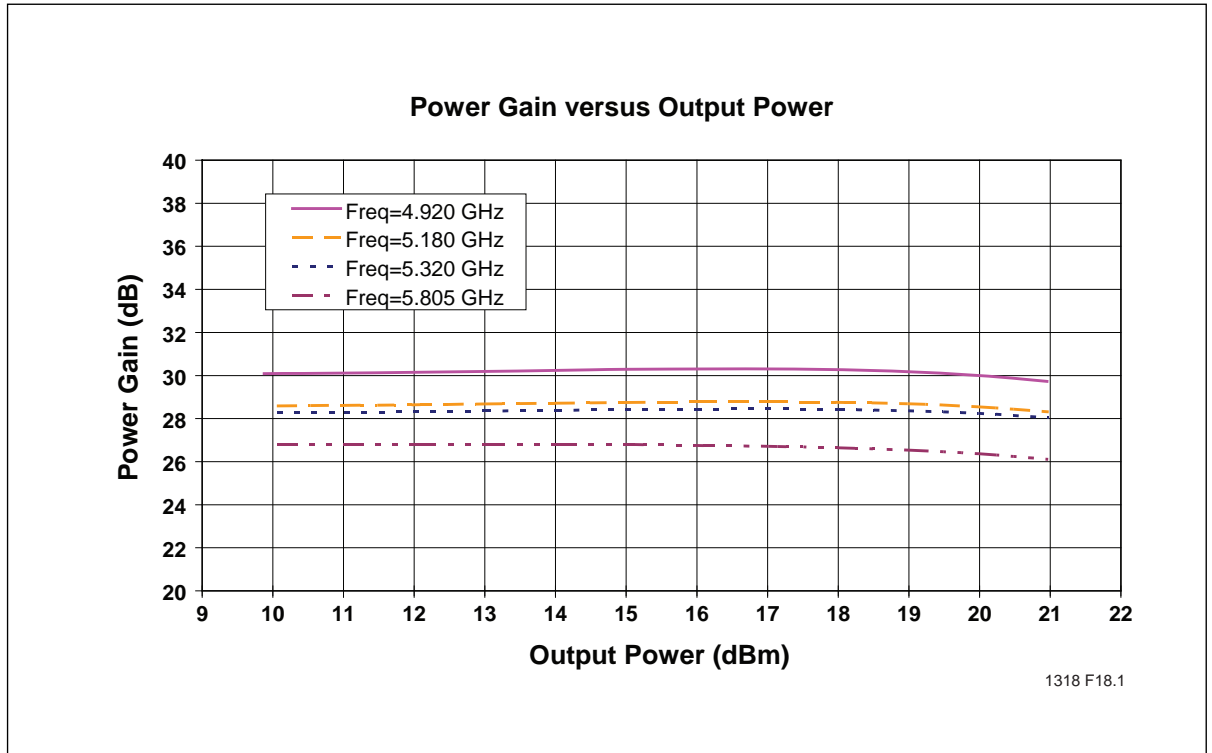


Figure 14:High Band Power Gain versus Output Power

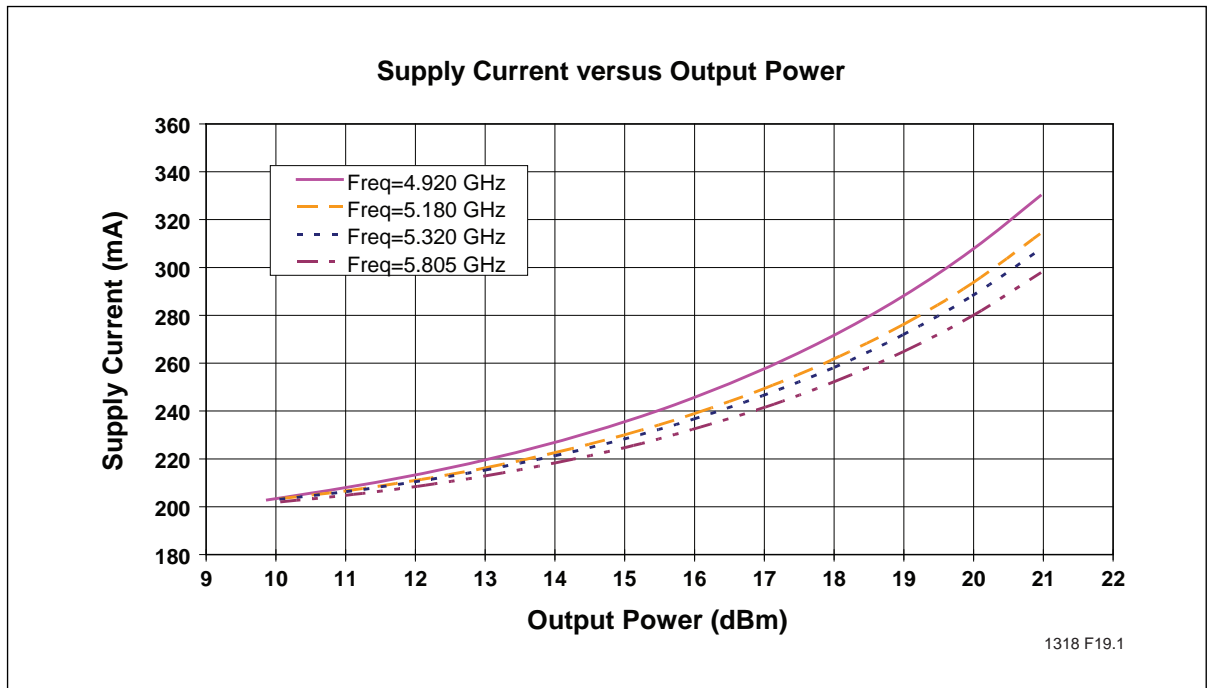


Figure 15:High Band Supply Current versus Output Power

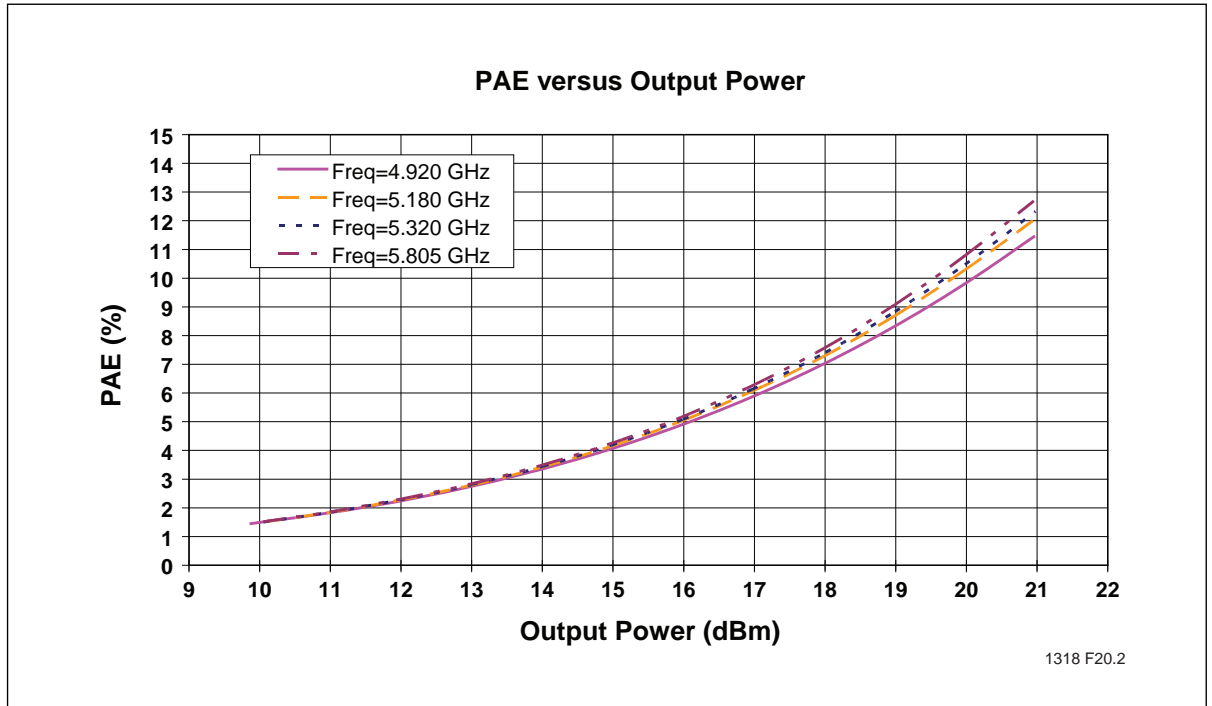


Figure 16: High Band PAE versus Output Power

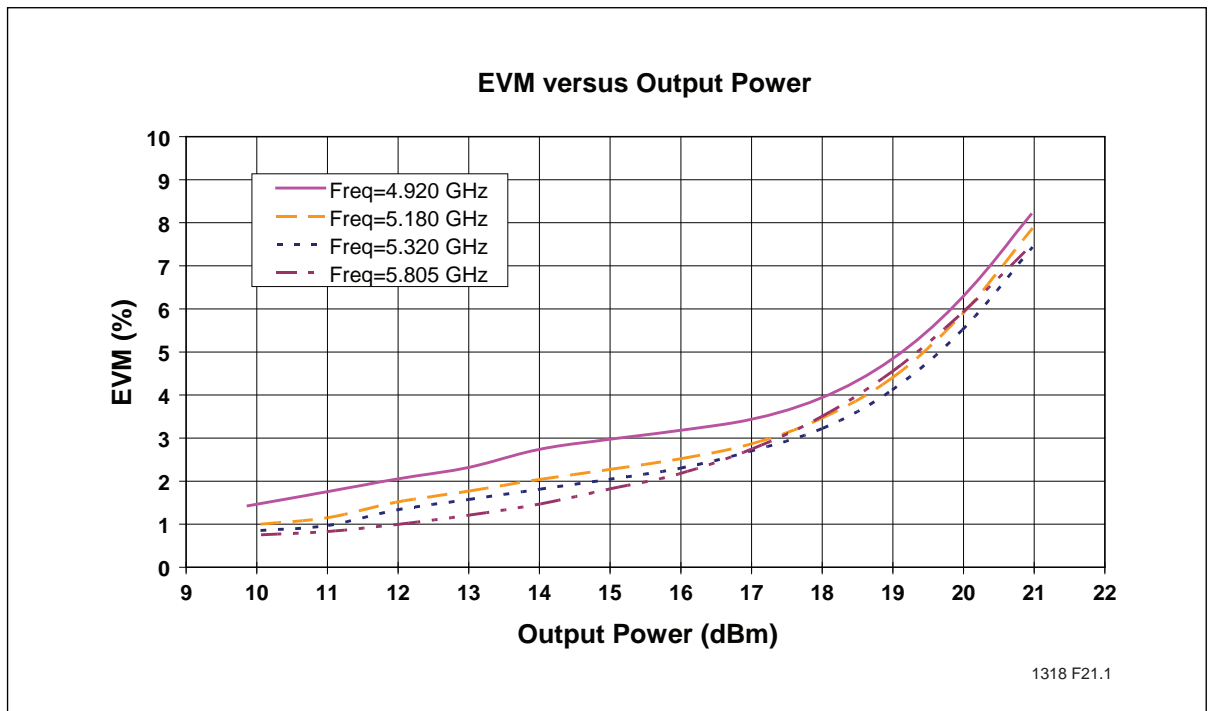


Figure 17: High Band EVM versus Output Power, Measured with Sequence-plus-data Equalizer Training

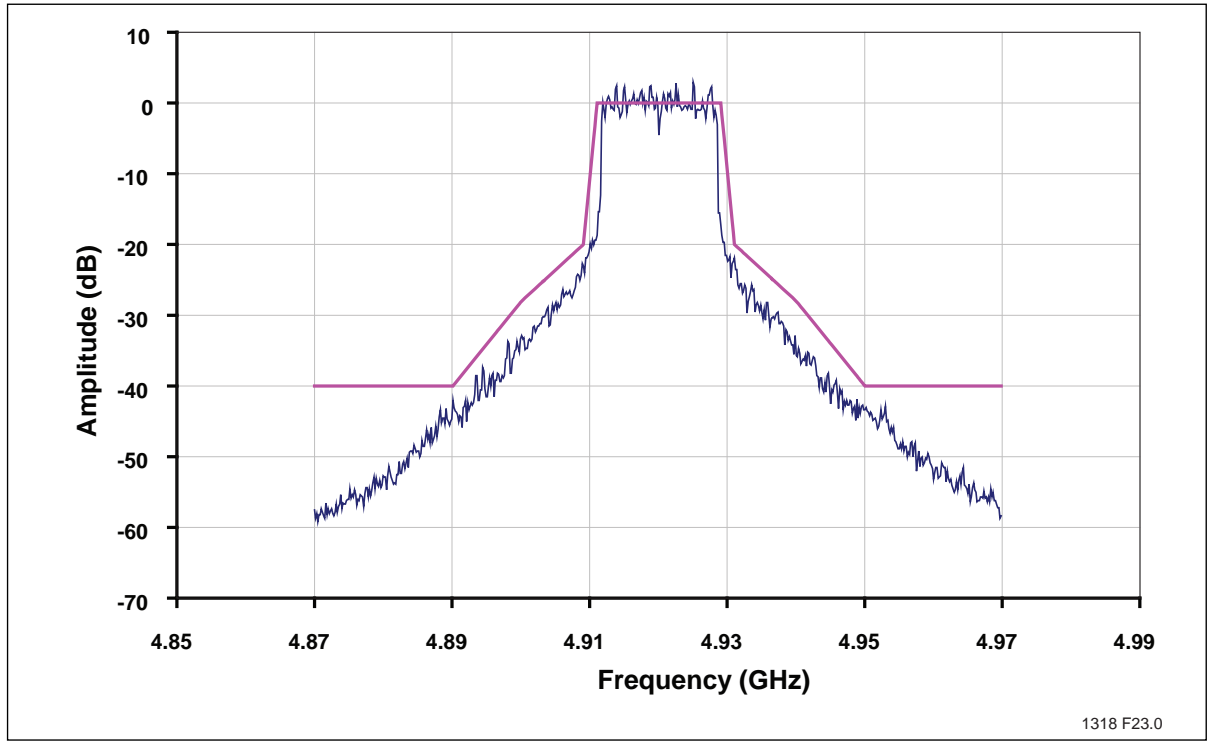


Figure 18: High Band 802.11a Spectrum Mask at 4.92 GHz at Output Power 22.5 dBm with DC Current at 370 mA

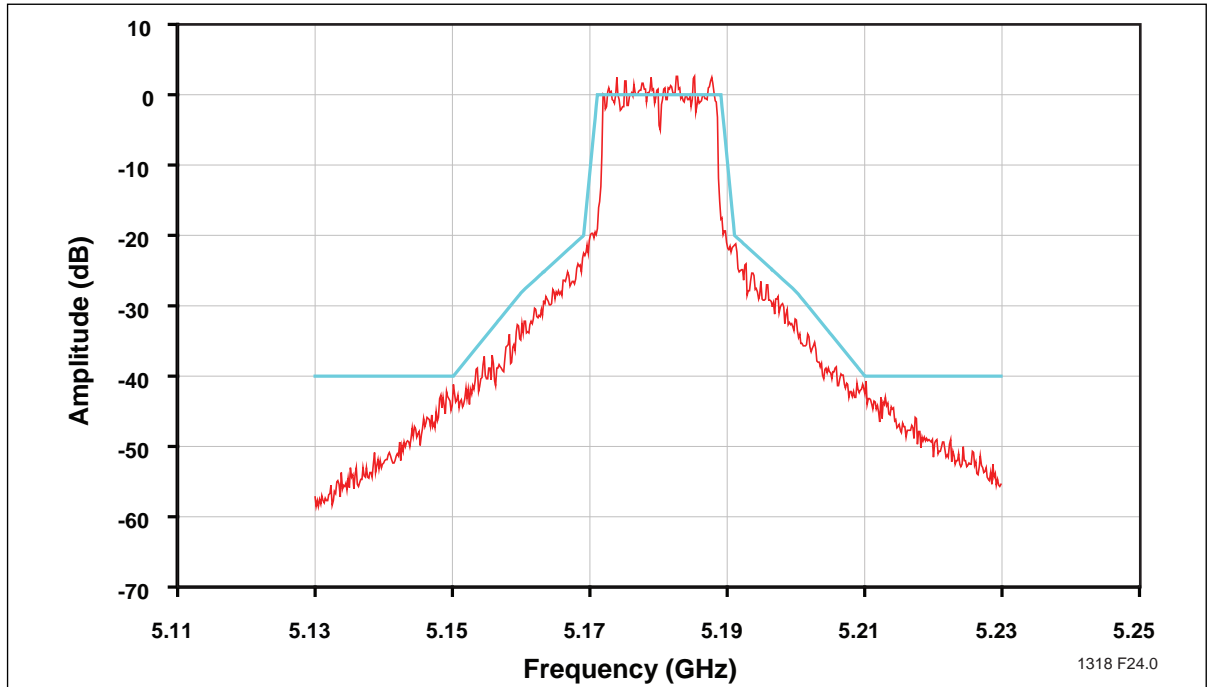


Figure 19: High Band 802.11a Spectrum Mask at 5.18 GHz at Output Power 22.5 dBm with DC Current at 355 mA

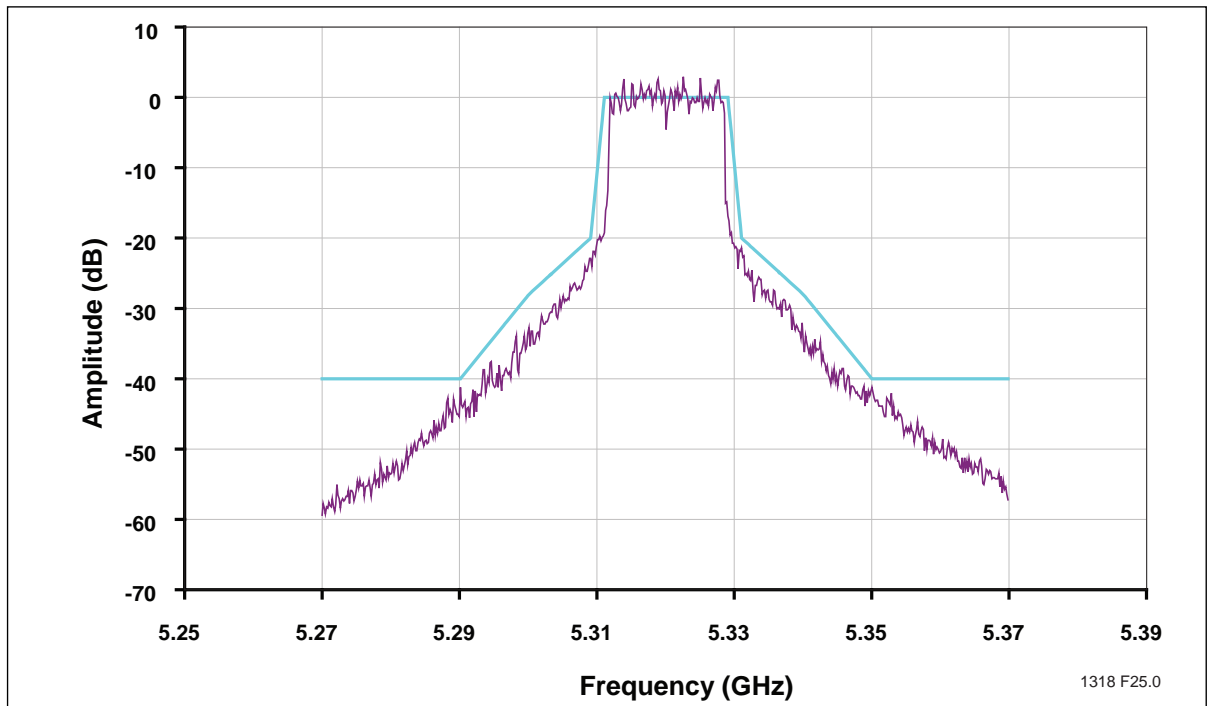


Figure 20: High Band 802.11a Spectrum Mask at 5.32 GHz at Output Power 23 dBm with DC Current at 360 mA

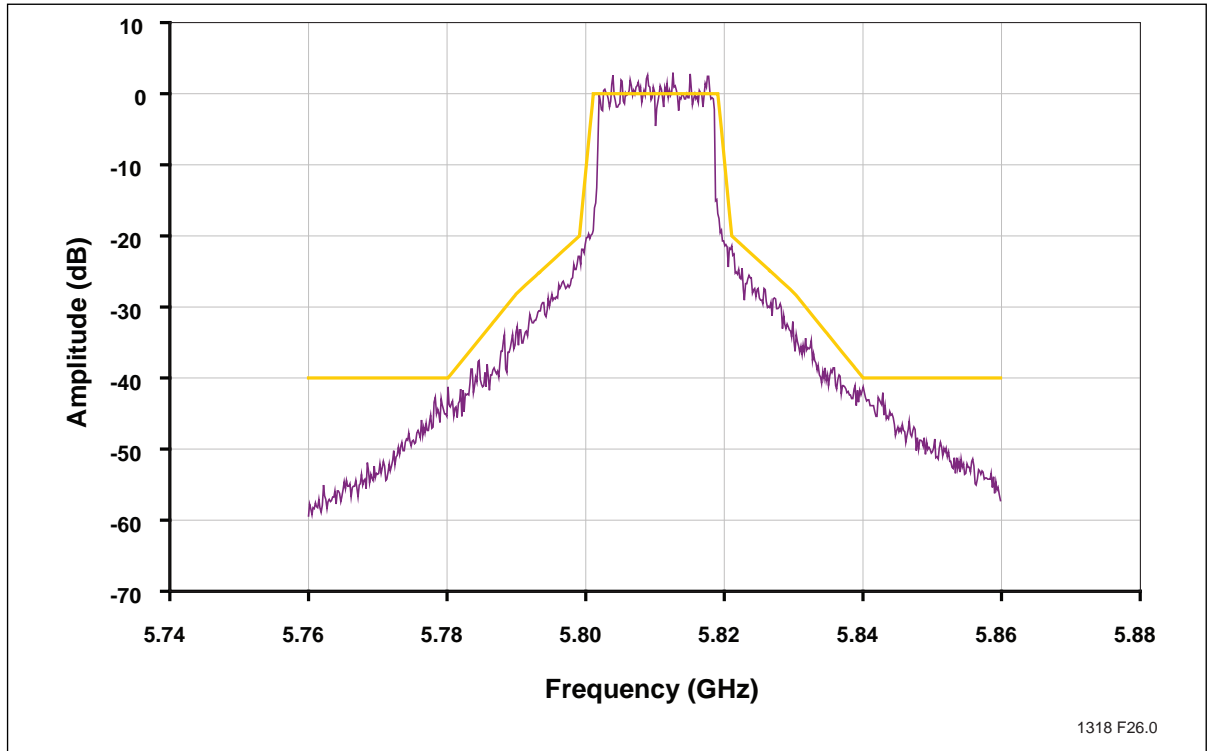


Figure 21: High Band 802.11a Spectrum Mask at 5.805 GHz at Output Power 23 dBm with DC Current at 350 mA

High Band Power Detector Characteristics

Test Conditions: $V_{CC} = 3.3V$, $V_{REF} = 2.95V$, $T_A = 25^\circ C$, 54 Mbps 802.11a OFDM Signal

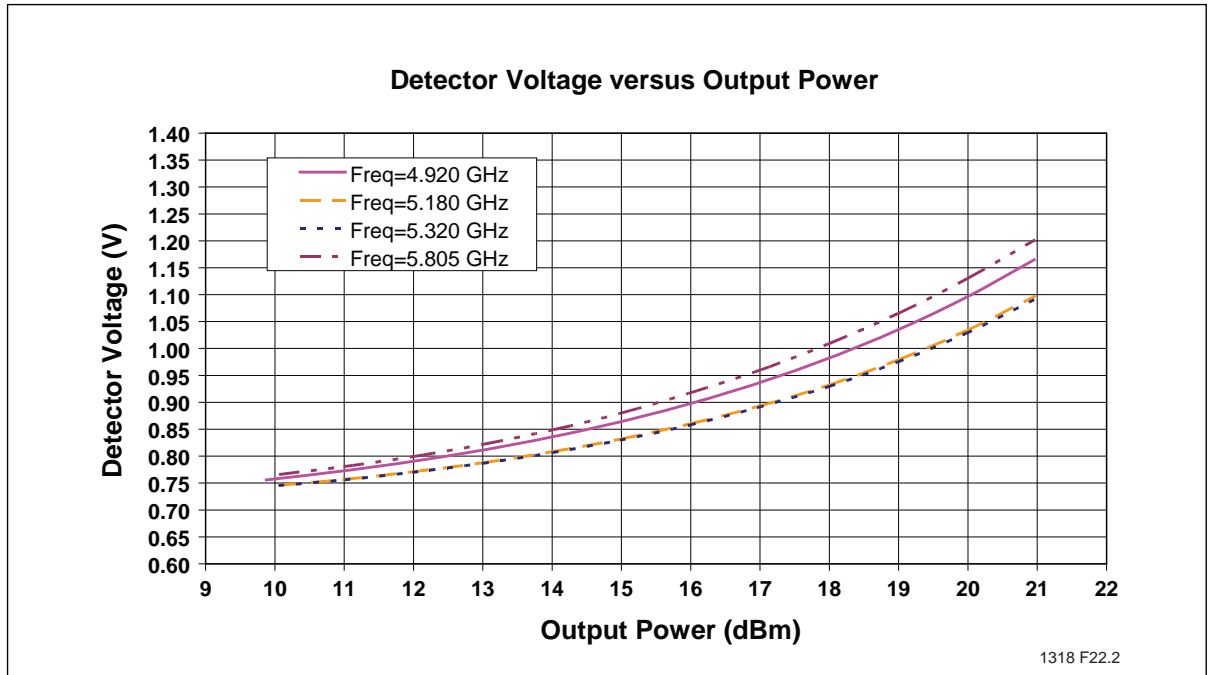


Figure 22: High Band Detector Voltage versus Output Power

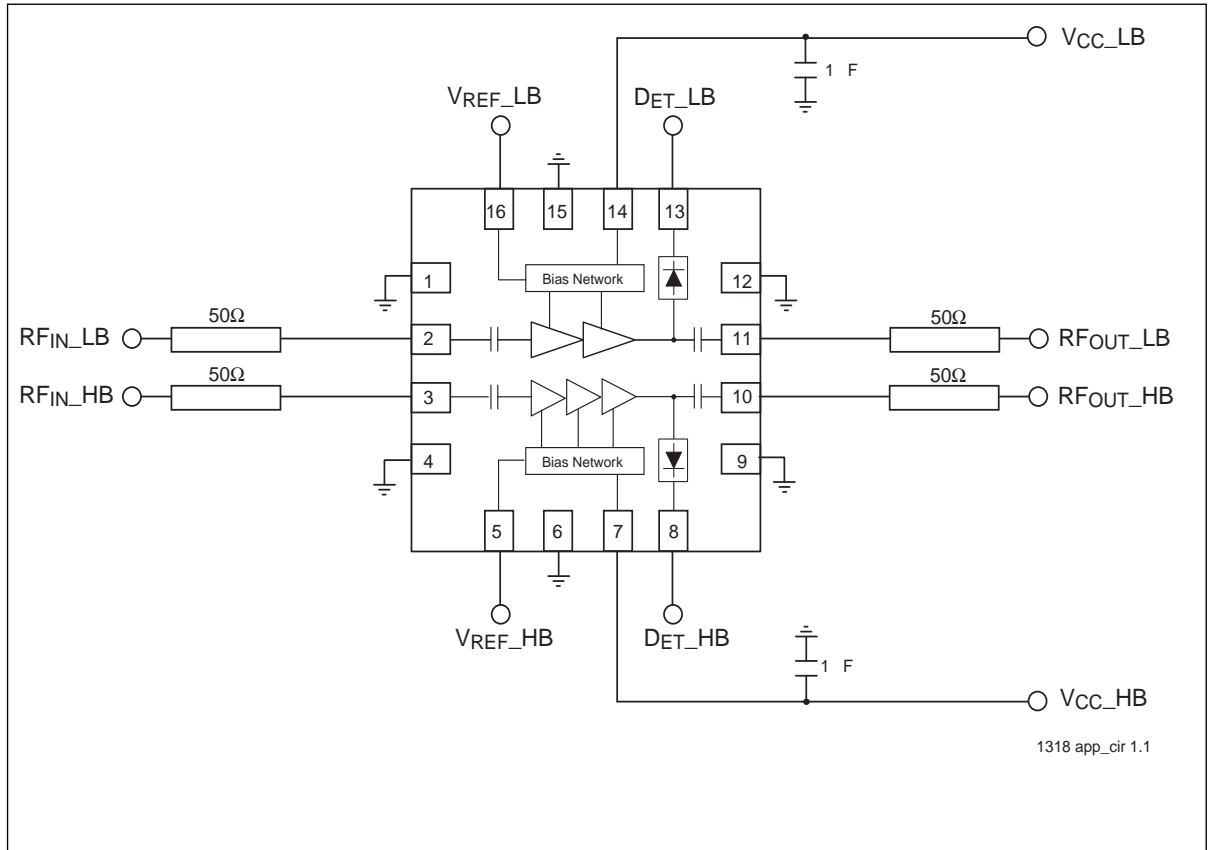
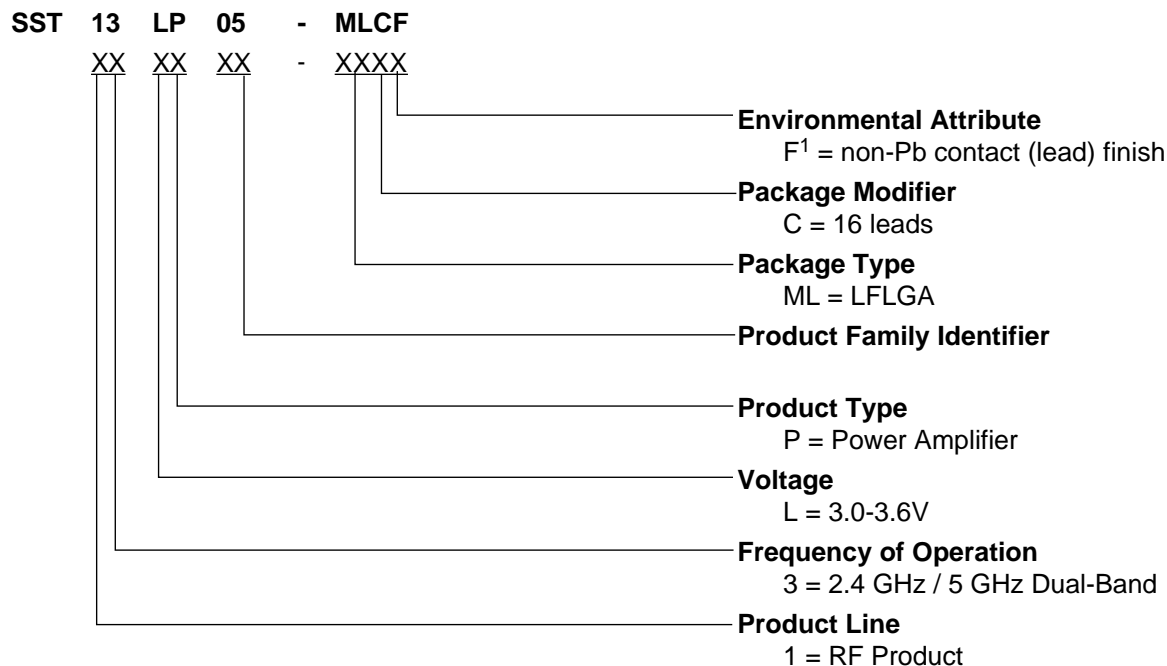


Figure 23: Typical Application Circuit

Product Ordering Information



1. Environmental suffix "F" denotes non-Pb solder. SST non-Pb solder devices are "RoHS Compliant".

Valid combinations for SST13LP05

SST13LP05-MLCF

SST13LP05 Evaluation Kits

SST13LP05-MLCF-K

Note: Consult your SST sales representative to confirm availability of valid combinations.

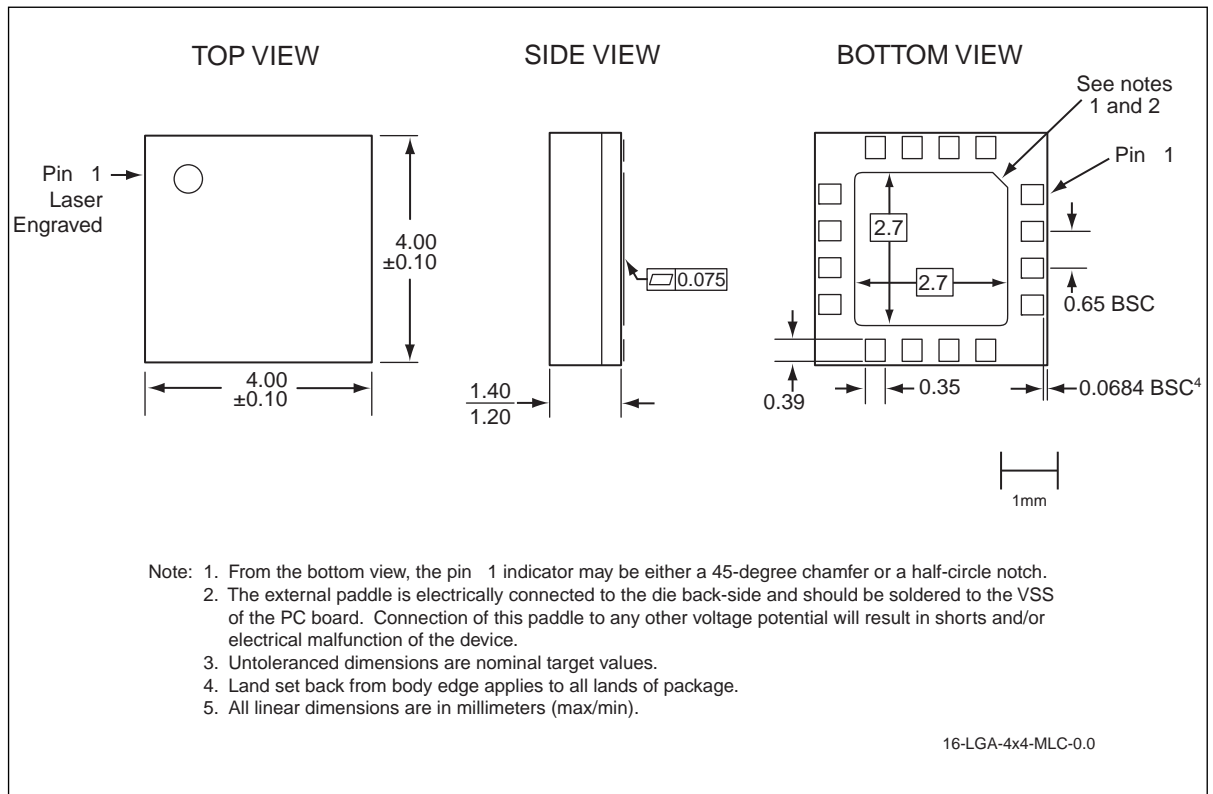


Figure 24: 16-Contact Low-profile, Fine-pitch, Land Grid Array (LFLGA)
SST Package Code: MLC

Table 6:Revision History

Revision	Description	Date
00	<ul style="list-style-type: none"> Initial release of data sheet. 	Dec 2006
01	<ul style="list-style-type: none"> Updated document status from Preliminary Specification to Data Sheet 	Apr 2008
02	<ul style="list-style-type: none"> Updated "Contact Information" on page 24. 	Feb 2009
A	<ul style="list-style-type: none"> Applied new document format Released document under letter revision system Updated Spec number from S71318 to DS75032 	Oct 2012

ISBN:978-1-61341-700-3

© 2012 Silicon Storage Technology, Inc—a Microchip Technology Company. All rights reserved.

SST, Silicon Storage Technology, the SST logo, SuperFlash, MTP, and FlashFlex are registered trademarks of Silicon Storage Technology, Inc. MPF, SQI, Serial Quad I/O, and Z-Scale are trademarks of Silicon Storage Technology, Inc. All other trademarks and registered trademarks mentioned herein are the property of their respective owners.

Specifications are subject to change without notice. Refer to www.microchip.com for the most recent documentation. For the most current package drawings, please see the Packaging Specification located at <http://www.microchip.com/packaging>.

Memory sizes denote raw storage capacity; actual usable capacity may be less.

SST makes no warranty for the use of its products other than those expressly contained in the Standard Terms and Conditions of Sale.

For sales office locations and information, please see www.microchip.com.

Silicon Storage Technology, Inc.
A Microchip Technology Company
www.microchip.com

Looking for pricing, stock, or lifecycle information?

Click below to explore more details on WIN SOURCE:

- ⊖ [View SST13LP05-MLCF on WIN SOURCE](#)
- ⊖ [Microchip Technology Information](#)

Optimize Your Supply Chain with WIN SOURCE Solutions

- ✓ Global Sourcing Solution
- ✓ Obsolete Management
- ✓ Cost Control Management
- ✓ Shortage Management
- ✓ Alternative Solution
- ✓ Excess Inventory Management