



THE DATASHEET OF SP-2C1+





SURFACE MOUNT

Power Splitter/Combiner

SP-2C1+

2 Way-0° 50Ω 640 to 1100 MHz

FEATURES

- Wide bandwidth
- Good isolation, 20 dB typ.
- Excellent VSWR, 1.25:1 typ.
- Excellent power handling, 1.5W
- Small size
- Aqueous washable

APPLICATIONS

- Cellular
- GSM
- Land Mobile
- ISM
- PDC



Generic photo used for illustration purposes only

CASE STYLE: CA531

+RoHS Compliant
 The +Suffix identifies RoHS Compliance.
 See our website for methodologies and qualifications

ELECTRICAL SPECIFICATIONS AT 25°C

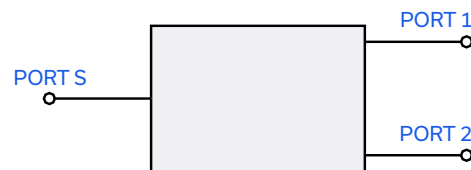
Parameter	Frequency (MHz)	Min.	Typ.	Max.	Units
Frequency Range		640		1100	MHz
Insertion Loss (above 3.0 dB)	640-1100	—	0.4	1.0	dB
Isolation	640-1100	10	20	—	dB
Amplitude Unbalance	640-1100	—	—	0.2	dB
Phase Unbalance	640-1100	—	—	2	deg.
VSWR (Port S)	640-1100	—	1.25	—	:1
VSWR (Port 1)	640-1100	—	1.25	—	:1
VSWR (Port 2)	640-1100	—	1.25	—	:1

MAXIMUM RATINGS

Parameter	Ratings
Operating Temperature	-40 °C to +85 °C
Storage Temperature	-65 °C to +150 °C
Input Power (as a splitter)	1.5 W max.
Internal Dissipation	0.75W max.

Permanent damage may occur if any of these limits are exceeded.

ELECTRICAL SCHEMATIC





SURFACE MOUNT

Power Splitter/Combiner

SP-2C1+

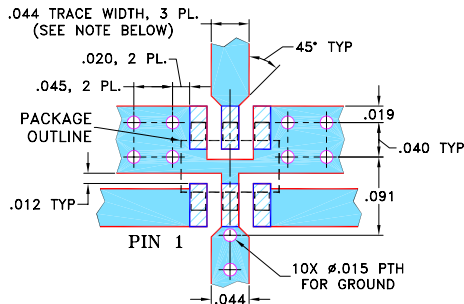
2 Way-0° 50Ω 640 to 1100 MHz

PIN CONNECTIONS

SUM PORT	5
PORT 1	1
PORT 2	3
GROUND	2,4,6

PRODUCT MARKING: N/A

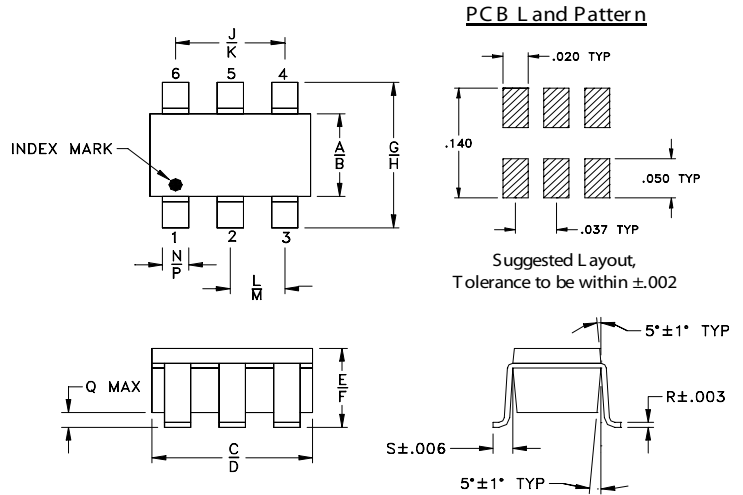
DEMOBOARD MCL P/N: TB-374
SUGGESTED PCB LAYOUT (PL-232)



- NOTES: 1. TRACE WIDTH IS SHOWN FOR ROGERS RO4350B WITH DIELECTRIC THICKNESS .020" ± .0015"; COPPER: 1/2 OZ. EACH SIDE. FOR OTHER MATERIALS TRACE WIDTH MAY NEED TO BE MODIFIED.
2. BOTTOM SIDE OF THE PCB IS CONTINUOUS GROUND PLANE.

- DENOTES PCB COPPER LAYOUT WITH SMOBC (SOLDER MASK OVER BARE COPPER)
- DENOTES COPPER LAND PATTERN FREE OF SOLDER MASK

OUTLINE DRAWING



OUTLINE DIMENSIONS (Inch/mm)

A	B	C	D	E	F	G	H	J
.052	.067	.106	.122	.035	.064	.087	.118	.067
1.32	1.70	2.69	3.10	0.89	1.63	2.21	3.00	1.70
K	L	M	N	P	Q	R	S	wt
.083	.033	.042	.012	.020	.012	.006	.018	grams
2.11	0.84	1.07	0.30	0.51	0.30	0.15	0.46	0.020

TAPE & REEL INFORMATION: F31



SURFACE MOUNT

Power Splitter/Combiner

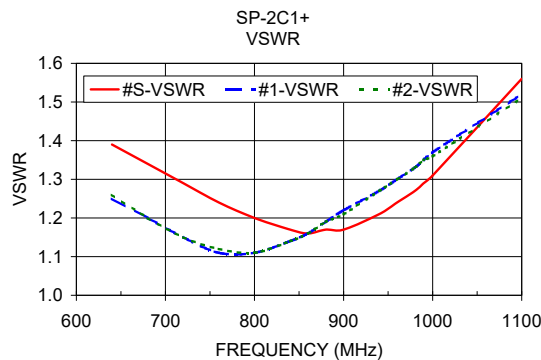
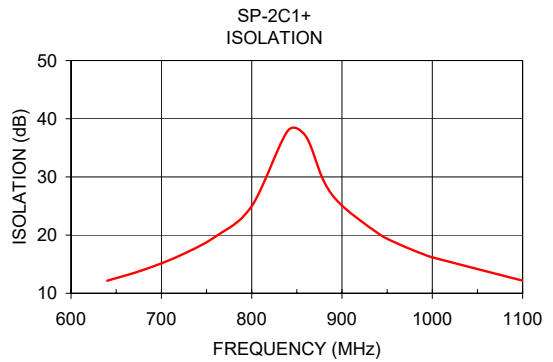
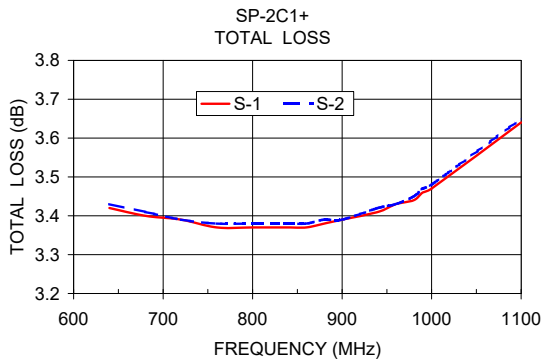
SP-2C1+

2 Way-0° 50Ω 640 to 1100 MHz

TYPICAL PERFORMANCE DATA AND CHARTS

Frequency (MHz)	Total Loss ¹ (dB)		Amplitude Unbalance (dB)	Isolation (dB)	Phase Unbalance (deg.)	VSWR (:1)		
	S-1	S-2				S	1	2
640.00	3.42	3.43	0.01	12.16	0.05	1.39	1.25	1.26
680.00	3.40	3.41	0.01	14.02	0.05	1.34	1.20	1.20
720.00	3.39	3.39	0.01	16.44	0.05	1.29	1.15	1.15
760.00	3.37	3.38	0.01	19.75	0.04	1.24	1.11	1.12
800.00	3.37	3.38	0.01	24.99	0.04	1.20	1.11	1.11
840.00	3.37	3.38	0.01	37.94	0.04	1.17	1.14	1.14
860.00	3.37	3.38	0.01	36.99	0.04	1.16	1.16	1.16
880.00	3.38	3.39	0.01	29.21	0.04	1.17	1.19	1.19
900.00	3.39	3.39	0.01	25.08	0.04	1.17	1.22	1.21
940.00	3.41	3.42	0.01	20.29	0.03	1.21	1.27	1.27
960.00	3.43	3.43	0.01	18.66	0.02	1.24	1.30	1.30
980.00	3.44	3.45	0.01	17.32	0.03	1.27	1.33	1.33
990.00	3.46	3.47	0.01	16.73	0.03	1.29	1.35	1.35
1000.00	3.47	3.48	0.01	16.18	0.03	1.31	1.37	1.36
1100.00	3.64	3.65	0.01	12.18	0.04	1.56	1.52	1.51

1. Total Loss = Insertion Loss + 3dB splitter loss.



ESD Rating

Human Body Model (HBM): Class 1A (250 v to <500 v) in accordance with ANSI/ESD STM 5.1 - 2001
Machine Model (MM): Class M1 (< 100 v) in accordance with ANSI/ESD STM 5.2 - 1999 (pass 50V)


NOTES

- A. Performance and quality attributes and conditions not expressly stated in this specification document are intended to be excluded and do not form a part of this specification document.
- B. Electrical specifications and performance data contained in this specification document are based on Mini-Circuit's applicable established test performance criteria and measurement instructions.
- C. The parts covered by this specification document are subject to Mini-Circuits standard limited warranty and terms and conditions (collectively, "Standard Terms"); Purchasers of this part are entitled to the rights and benefits contained therein. For a full statement of the standard terms and the exclusive rights and remedies thereunder, please visit Mini-Circuits' website at www.minicircuits.com/terms/viewterm.html



Looking for pricing, stock, or lifecycle information?

Click below to explore more details on WIN SOURCE:

 [View SP-2C1+ on WIN SOURCE](#)

 [Mini-Circuits Information](#)

Optimize Your Supply Chain with WIN SOURCE Solutions

-  Global Sourcing Solution
-  Obsolete Management
-  Cost Control Management
-  Shortage Management
-  Alternative Solution
-  Excess Inventory Management