



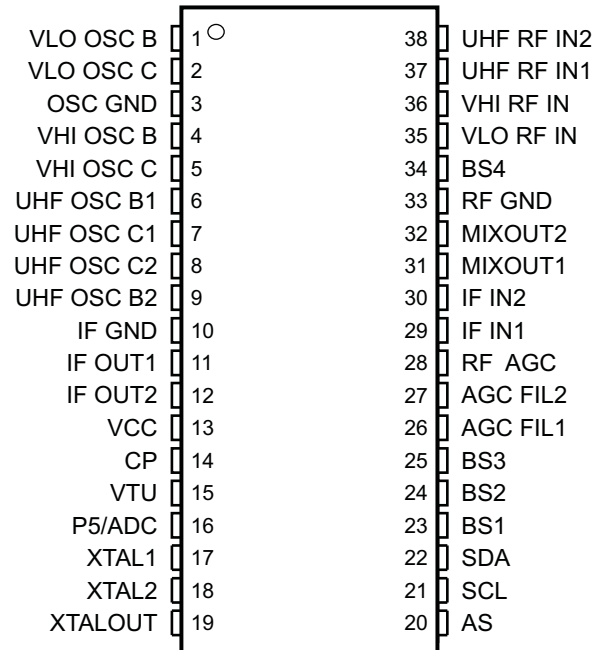
**THE DATASHEET OF  
SN761664DBTR**



## FEATURES

- Low-Phase-Noise Mixer/Oscillator and PLL Synthesizer
- VHF-L, VHF-H, UHF Three-Band Local Oscillator
- External 4-Pin IF Filter Between Mixer Output and IF Amplifier Input
- I<sup>2</sup>C Bus Protocol (Bidirectional Data Transmission)
- 30-V Tuning Voltage Output
- Four NPN-Type Band-Switch Drivers
- One Auxiliary-Port, Five-Level ADC
- RF AGC Detector Circuit
- Crystal Oscillator Output
- Programmable Reference Divider Ratio (24/28/50/64/80/128)
- Standby Mode
- 5-V Power Supply
- 38-Pin Thin Shrink Small-Outline Package (TSSOP)

DBT PACKAGE  
(TOP VIEW)



## APPLICATIONS

- Digital TV
- Digital CATV
- Set-Top Box

## DESCRIPTION

The SN761664 is a low-phase-noise synthesized tuner IC designed for digital TV tuning systems. The circuit consists of a PLL synthesizer, three-band local oscillator and mixer, 30-V output tuning amplifier, and four NPN band-switch drivers, and is available in a small-outline package. A 15-bit programmable counter and reference divider are controlled by I<sup>2</sup>C bus protocol. Tuning-step frequency is selectable by this reference divider ratio for a crystal oscillator.

P0034-02



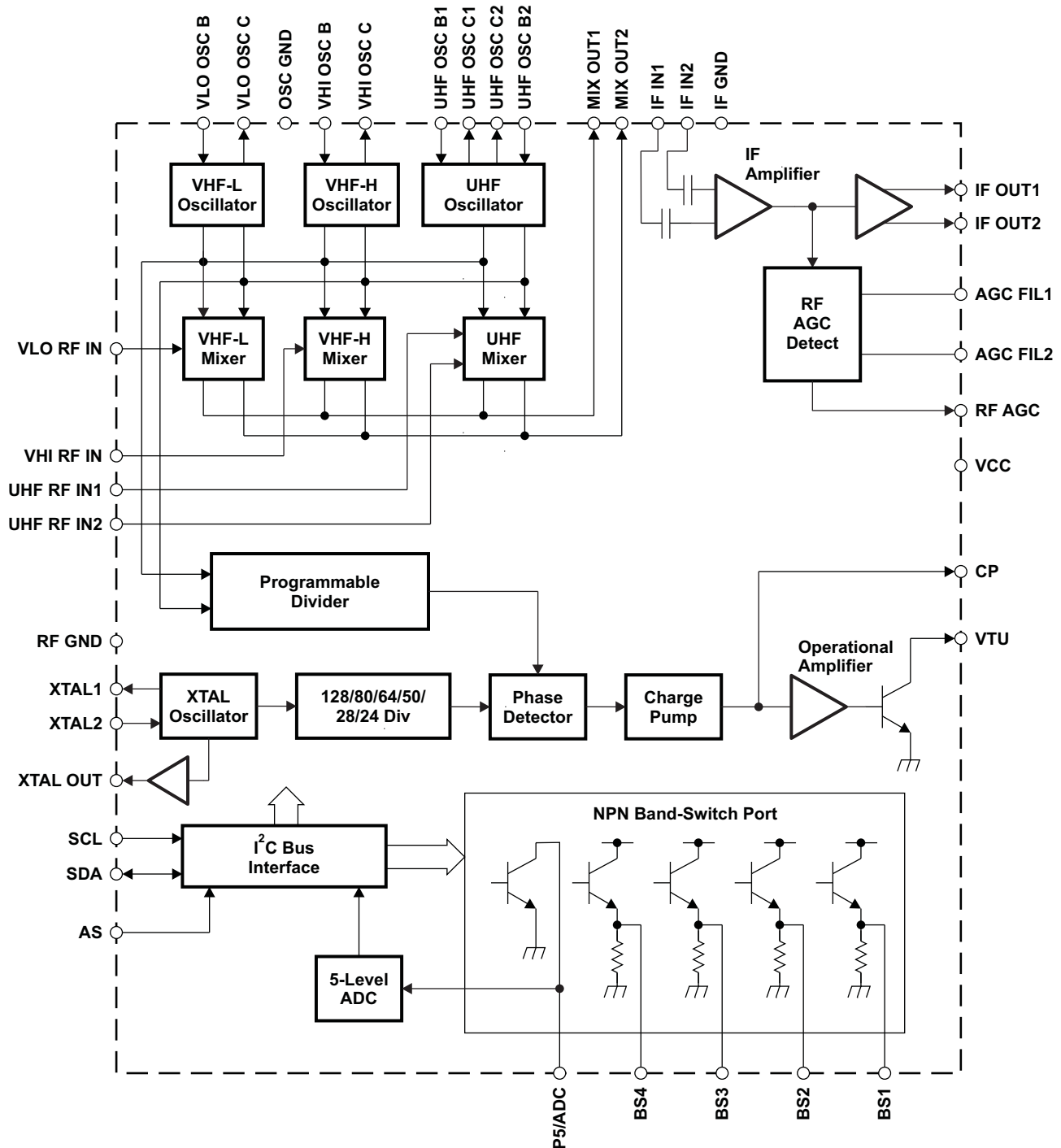
Please be aware that an important notice concerning availability, standard warranty, and use in critical applications of Texas Instruments semiconductor products and disclaimers thereto appears at the end of this data sheet.



This integrated circuit can be damaged by ESD. Texas Instruments recommends that all integrated circuits be handled with appropriate precautions. Failure to observe proper handling and installation procedures can cause damage.

MIXOUT1, MIXOUT2, IF IN1, and IF IN2 (pins 29 – 32) withstand 1.5 kV and all other pins withstand 2 kV, according to the Human-Body Model (1.5 kΩ, 100 pF).

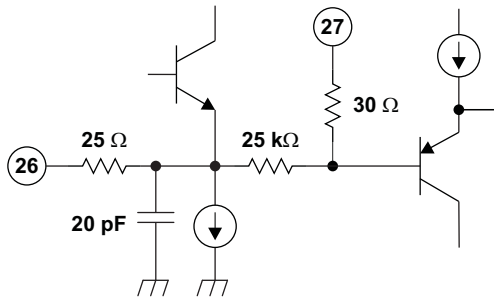
**FUNCTIONAL BLOCK DIAGRAM**



B0089-01

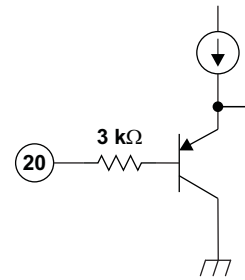
**TERMINAL FUNCTIONS**

TERMINAL NAME		NO.	DESCRIPTION	SCHEMATIC
AGC FIL1		26	Additional peak-hold capacitor	<a href="#">Figure 1</a>
AGC FIL2		27	RF AGC LPF capacitor	<a href="#">Figure 1</a>
AS		20	Address selection input	<a href="#">Figure 2</a>
BS1		23	Band-switch 1 output	<a href="#">Figure 3</a>
BS2		24	Band-switch 2 output	<a href="#">Figure 3</a>
BS3		25	Band-switch 3 output	<a href="#">Figure 3</a>
BS4		34	Band-switch 4 output	<a href="#">Figure 3</a>
IF IN1		29	IF amplifier input	<a href="#">Figure 7</a>
CP		14	Charge-pump output	<a href="#">Figure 4</a>
IF GND		10	IF ground	
IF OUT1		11	IF amplifier output 1	<a href="#">Figure 5</a>
IF OUT2		12	IF amplifier output 2	<a href="#">Figure 5</a>
MIX OUT1		31	Mixer output 1	<a href="#">Figure 6</a>
MIX OUT2		32	Mixer output 2	<a href="#">Figure 6</a>
IF IN2		30	IF amplifier input	<a href="#">Figure 7</a>
OSC GND		3	Oscillator ground	
P5/ADC		16	Port-5 output/ADC input	<a href="#">Figure 8</a>
RF AGC		28	RF AGC output	<a href="#">Figure 9</a>
RF GND		33	RF ground	
SCL		21	Serial clock input	<a href="#">Figure 10</a>
SDA		22	Serial data input/output	<a href="#">Figure 11</a>
UHF OSC B1		6	UHF oscillator base 1	<a href="#">Figure 12</a>
UHF OSC B2		9	UHF oscillator base 2	<a href="#">Figure 12</a>
UHF OSC C1		7	UHF oscillator collector 1	<a href="#">Figure 12</a>
UHF OSC C2		8	UHF oscillator collector 2	<a href="#">Figure 12</a>
UHF RFIN1		37	UHF RF input 1	<a href="#">Figure 13</a>
UHF RFIN2		38	UHF RF input 2	<a href="#">Figure 13</a>
VCC		13	Supply voltage for mixer/oscillator/PLL: 5 V	
VHI OSC B		4	VHF HIGH oscillator base	<a href="#">Figure 14</a>
VHI OSC C		5	VHF HIGH oscillator collector	<a href="#">Figure 14</a>
VHI RFIN		36	VHF-H RF input	<a href="#">Figure 15</a>
VLO OSC B		1	VHF LOW oscillator base	<a href="#">Figure 16</a>
VLO OSC C		2	VHF LOW oscillator collector	<a href="#">Figure 16</a>
VLO RFIN		35	VHF-L RF input	<a href="#">Figure 19</a>
VTU		15	Tuning voltage amplifier output	<a href="#">Figure 4</a>
XTAL1		17	4-MHz crystal oscillator output	<a href="#">Figure 17</a>
XTAL2		18	4-MHz crystal oscillator input	<a href="#">Figure 17</a>
XTALOUT		19	4-MHz oscillator output	<a href="#">Figure 18</a>



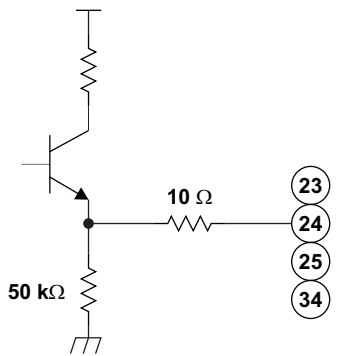
S0139-01

Figure 1.



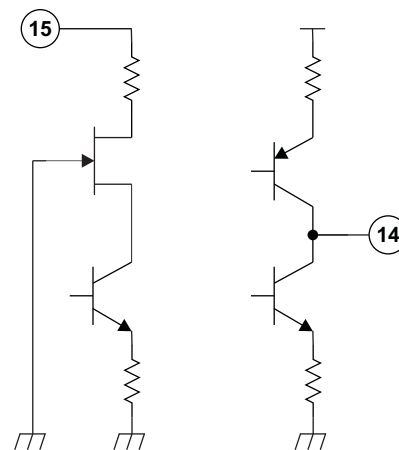
S0136-01

Figure 2.



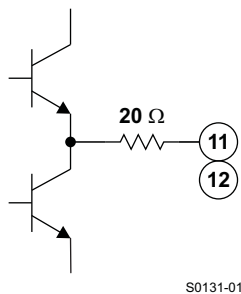
S0138-01

Figure 3.



S0132-01

Figure 4.



S0131-01

Figure 5.

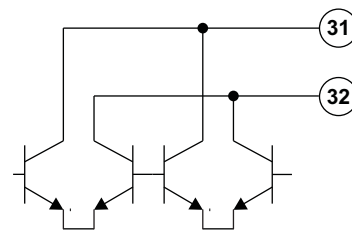


Figure 6.

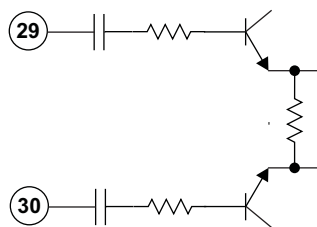
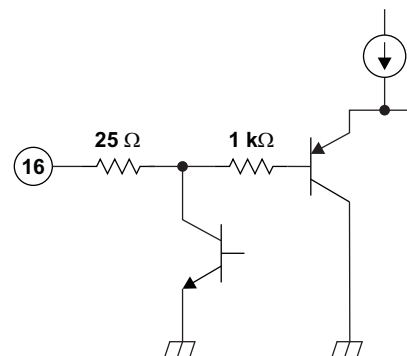
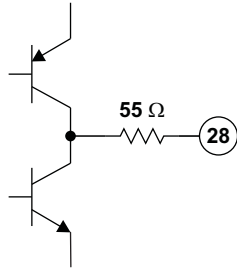


Figure 7.



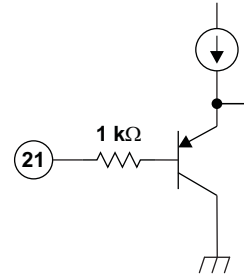
S0133-01

Figure 8.



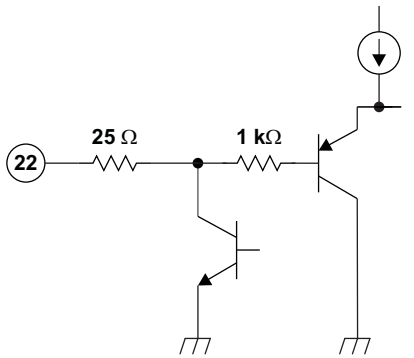
S0140-01

Figure 9.



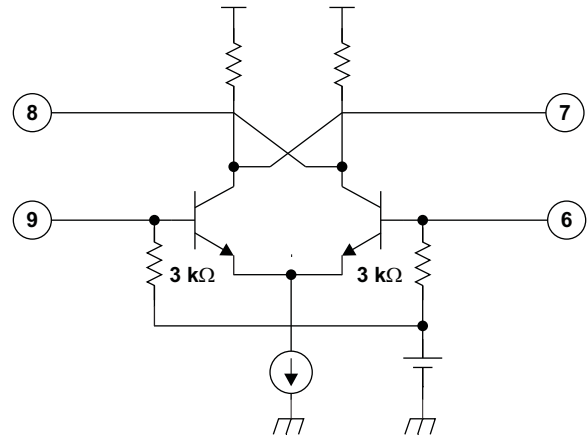
S0136-02

Figure 10.



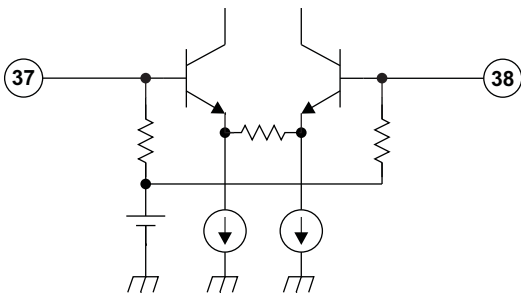
S0137-01

Figure 11.



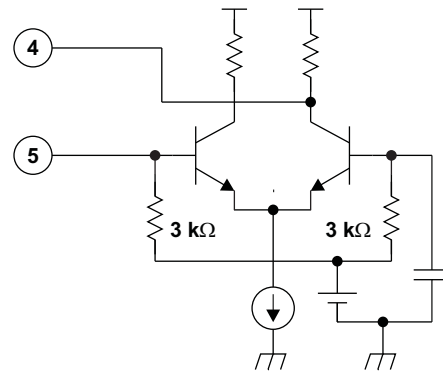
S0130-01

Figure 12.



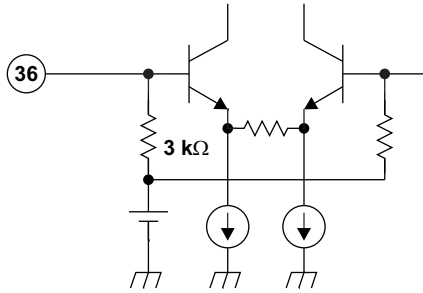
S0142-03

Figure 13.



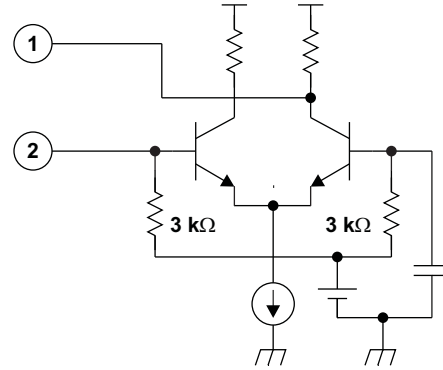
S0129-02

Figure 14.



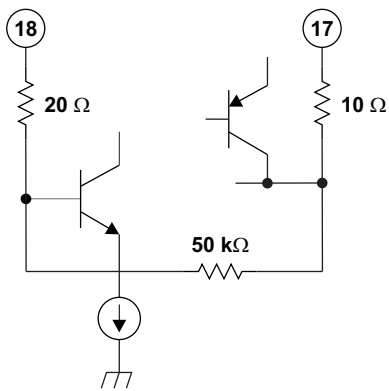
S0142-02

Figure 15.



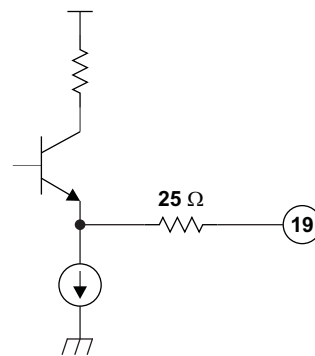
S0129-01

Figure 16.



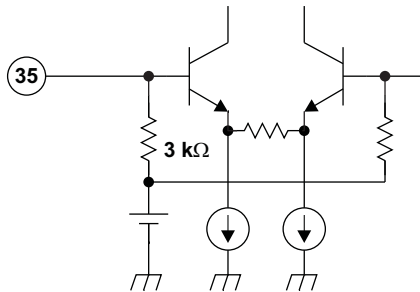
S0134-01

Figure 17.



S0135-01

Figure 18.



S0142-01

Figure 19.

## Absolute Maximum Ratings<sup>(1)</sup>

over operating free-air temperature range (unless otherwise noted)

Supply voltage range, $V_{CC}^{(2)}$	VCC	–0.4 V to 6.5 V
Input voltage 1, $V_{GND}^{(2)}$	RF GND, OSC GND	–0.4 V to 0.4 V
Input voltage 2, $V_{VTU}^{(2)}$	VTU	–0.4 V to 35 V
Input voltage 3, $V_{IN}^{(2)}$	Other pins	–0.4 V to 6.5 V
Continuous total dissipation, $P_D^{(3)}$	$T_A \leq 25^\circ\text{C}$	1276 mW
Operating free-air temperature range, $T_A$		–20°C to 85°C
Storage temperature range, $T_{stg}$		–65°C to 150°C
Maximum junction temperature, $T_J$		150°C
Maximum short-circuit time, $t_{SC(max)}$	Each pin to $V_{CC}$ or to GND	10 s

- (1) Stresses beyond those listed under "absolute maximum ratings" may cause permanent damage to the device. These are stress ratings only, and functional operation of the device at these or any other conditions beyond those indicated under "recommended operating conditions" is not implied. Exposure to absolute-maximum-rated conditions for extended periods may affect device reliability.
- (2) Voltage values are with respect to the IF GND of the circuit.
- (3) Derating factor is 10.2 mW/°C for  $T_A \geq 25^\circ\text{C}$ .

## Recommended Operating Conditions

		MIN	NOM	MAX	UNIT
Supply voltage, $V_{CC}$		4.5	5	5.5	V
Tuning supply voltage, $V_{TU}$			30	33	V
Output current of band switch, $I_{BS}$	One band switch on			10	mA
Output current of port 5, $I_{P5}$				–5	mA
Operating free-air temperature, $T_A$		–20		85	°C

**Electrical Characteristics – Total Device and Serial Interface**

$V_{CC} = 4.5\text{ V to }5.5\text{ V}$ ,  $T_A = -20^\circ\text{C to }85^\circ\text{C}$  (unless otherwise noted)

PARAMETER		TEST CONDITIONS	MIN	TYP	MAX	UNIT
$I_{CC1}$	Supply current 1			75		mA
$I_{CC2}$	Supply current 2	One band switch on ( $I_{BS} = 10\text{ mA}$ )		87		mA
$I_{CC-STBY}$	Standby supply current	STBY = 1		8		mA
$V_{IH}$	High-level input voltage (SCL, SDA)		2.3			V
$V_{IL}$	Low-level input voltage (SCL, SDA)				1.35	V
$I_{IH}$	High-level input current (SCL, SDA)				10	$\mu\text{A}$
$I_{IL}$	Low-level input current (SCL, SDA)		-10			$\mu\text{A}$
$V_{POR}$	Power-on-reset supply voltage (threshold of supply voltage between reset and operation mode)		2.1	2.8	3.5	V
<b>I<sup>2</sup>C Interface</b>						
$V_{ASH}$	Address-select high-input voltage (AS)	$V_{CC} = 5\text{ V}$	4.5		5	V
$V_{ASM1}$	Address-select mid-input 1 voltage (AS)	$V_{CC} = 5\text{ V}$	2		3	V
$V_{ASM2}$	Address-select mid-input 2 voltage (AS)	$V_{CC} = 5\text{ V}$	1		1.5	V
$V_{ASL}$	Address-select low-input voltage (AS)	$V_{CC} = 5\text{ V}$			0.5	V
$I_{ASH}$	Address-select high-input current (AS)				10	$\mu\text{A}$
$I_{ASL}$	Address-select low-input current (AS)		-10			$\mu\text{A}$
$V_{ADC}$	ADC input voltage	See <a href="#">Table 10</a>	0		$V_{CC}$	V
$I_{ADH}$	ADC high-level input current	$V_{ADC} = V_{CC}$			10	$\mu\text{A}$
$I_{ADL}$	ADC low-level input current	$V_{ADC} = 0\text{ V}$	-10			$\mu\text{A}$
$V_{OL}$	Low-level output voltage (SDA)	$V_{CC} = 5\text{ V}$ , $I_{OL} = 3\text{ mA}$			0.4	V
$I_{SDAH}$	High-level output leakage current (SDA)	$V_{SDA} = 5.5\text{ V}$			10	$\mu\text{A}$
$f_{SCL}$	Clock frequency (SCL)			100	400	kHz
$t_{HD-DAT}$	Data hold time	See <a href="#">Figure 20</a>	0			$\mu\text{s}$
$t_{BUF}$	Bus free time		1.3			$\mu\text{s}$
$t_{HD-STA}$	Start hold time		0.6			$\mu\text{s}$
$t_{LOW}$	SCL-low hold time		0.6			$\mu\text{s}$
$t_{HIGH}$	SCL-high hold time		0.6			$\mu\text{s}$
$t_{SU-STA}$	Start setup time		0.6			$\mu\text{s}$
$t_{SU-DAT}$	Data setup time		0.1			$\mu\text{s}$
$t_r$	Rise time (SCL, SDA)				0.3	$\mu\text{s}$
$t_f$	Fall time (SCL, SDA)				0.3	$\mu\text{s}$
$t_{SU-STO}$	Stop setup time		0.6			$\mu\text{s}$

### Electrical Characteristics – PLL and Band Switch

$V_{CC} = 4.5\text{ V to }5.5\text{ V}$ ,  $T_A = -20^\circ\text{C to }85^\circ\text{C}$  (unless otherwise noted)

PARAMETER		TEST CONDITIONS	MIN	TYP	MAX	UNIT
N	Divider ratio	15-bit frequency word	512		32767	
$f_{XTAL}$	Crystal oscillator frequency	$R_{XTAL} = 25\ \Omega$ to $300\ \Omega$		4		MHz
$Z_{XTAL}$	Crystal oscillator input impedance			1.6		k $\Omega$
$V_{XLO}$	XTALOUT output voltage	Load = 10 pF/5.1 k $\Omega$ , $V_{CC} = 5\text{ V}$ , $T_A = 25^\circ\text{C}$		0.37		V <sub>p-p</sub>
$V_{VTUL}$	Tuning amplifier low-level output voltage	$R_L = 20\text{ k}\Omega$ , $V_{TU} = 33\text{ V}$	0.2	0.3	0.46	V
$I_{VTUOFF}$	Tuning amplifier leakage current	Tuning amplifier = off, $V_{TU} = 33\text{ V}$			10	$\mu\text{A}$
$I_{CP11}$	Charge-pump current	CP[1:0] = 11		600		$\mu\text{A}$
$I_{CP10}$		CP[1:0] = 10		350		
$I_{CP01}$		CP[1:0] = 01		140		
$I_{CP00}$		CP[1:0] = 00		70		
$V_{CP}$	Charge-pump output voltage	PLL locked		1.95		V
$I_{CPOFF}$	Charge-pump leakage current	$V_{CP} = 2\text{ V}$ , $T_A = 25^\circ\text{C}$	-15		15	nA
$I_{BS}$	Band-switch driver output current (BS1–BS4)				10	mA
$V_{BS1}$	Band-switch driver output voltage (BS1–BS4)	$I_{BS} = 10\text{ mA}$		3		V
$V_{BS2}$		$I_{BS} = 10\text{ mA}$ , $V_{CC} = 5\text{ V}$ , $T_A = 25^\circ\text{C}$		3.5	3.9	
$I_{BSOFF}$	Band-switch driver leakage current (BS1–BS4)	$V_{BS} = 0\text{ V}$			8	$\mu\text{A}$
$I_{P5}$	Band-switch port sink current (P5/ADC)				-5	mA
$V_{P5ON}$	Band-switch port output voltage (P5/ADC)	$I_{P5} = -2\text{ mA}$ , $V_{CC} = 5\text{ V}$ , $T_A = 25^\circ\text{C}$			0.6	V

### Electrical Characteristics – RF AGC

$V_{CC} = 5\text{ V}$ ,  $T_A = 25^\circ\text{C}$ , measured in [Figure 21](#) reference measurement circuit at 50- $\Omega$  system, IF = 44 MHz, IF filter characteristics:  $f_{peak} = 44\text{ MHz}$  (unless otherwise noted)

PARAMETER		TEST CONDITIONS	TYP	UNIT
$I_{OAGC0}$	RF AGC output current	ATC = 0	300	nA
$I_{OAGC1}$		ATC = 1	9	$\mu\text{A}$
$V_{AGCSP00}$	Start-point IF output level	T1/ATSS = 0, ATP[2:0] = 000	117	dB $\mu\text{V}$
$V_{AGCSP01}$		T1/ATSS = 0, ATP[2:0] = 001	114	
$V_{AGCSP02}$		T1/ATSS = 0, ATP[2:0] = 010	111	
$V_{AGCSP03}$		T1/ATSS = 0, ATP[2:0] = 011	108	
$V_{AGCSP04}$		T1/ATSS = 0, ATP[2:0] = 100	105	
$V_{AGCSP05}$		T1/ATSS = 0, ATP[2:0] = 101	102	
$V_{AGCSP06}$		T1/ATSS = 0, ATP[2:0] = 110	99	
$V_{AGCSP10}$		T1/ATSS = 1, ATP[2:0] = 000	112	
$V_{AGCSP11}$		T1/ATSS = 1, ATP[2:0] = 001	109	
$V_{AGCSP12}$		T1/ATSS = 1, ATP[2:0] = 010	106	
$V_{AGCSP13}$		T1/ATSS = 1, ATP[2:0] = 011	103	
$V_{AGCSP14}$		T1/ATSS = 1, ATP[2:0] = 100	100	
$V_{AGCSP15}$		T1/ATSS = 1, ATP[2:0] = 101	97	
$V_{AGCSP16}$		T1/ATSS = 1, ATP[2:0] = 110	94	

**Electrical characteristics – Mixer, Oscillator, IF Amplifier**

$V_{CC} = 5\text{ V}$ ,  $T_A = 25^\circ\text{C}$ , measured in [Figure 21](#) reference measurement circuit at 50- $\Omega$  system, IF = 44 MHz, IF filter characteristics:  $f_{peak} = 44\text{ MHz}$  (unless otherwise noted)

PARAMETER		TEST CONDITIONS	TYP	UNIT
$G_{c1}$	Conversion gain (mixer-IF amplifier), VHF-LOW	$f_{in} = 57\text{ MHz}^{(1)}$	35	dB
$G_{c3}$		$f_{in} = 171\text{ MHz}^{(1)}$	35	
$G_{c4}$	Conversion gain (mixer-IF amplifier), VHF-HIGH	$f_{in} = 177\text{ MHz}^{(1)}$	35	dB
$G_{c6}$		$f_{in} = 467\text{ MHz}^{(1)}$	35	
$G_{c7}$	Conversion gain (mixer-IF amplifier), UHF	$f_{in} = 473\text{ MHz}^{(1)}$	35	dB
$G_{c9}$		$f_{in} = 864\text{ MHz}^{(1)}$	35	
$NF_1$	Noise figure, VHF-LOW	$f_{in} = 57\text{ MHz}$	9	dB
$NF_3$		$f_{in} = 171\text{ MHz}$	9	
$NF_4$	Noise figure, VHF-HIGH	$f_{in} = 177\text{ MHz}$	9	dB
$NF_6$		$f_{in} = 467\text{ MHz}$	9	
$NF_7$	Noise figure, UHF	$f_{in} = 473\text{ MHz}$	12	dB
$NF_9$		$f_{in} = 864\text{ MHz}$	12	
$CM_1$	1% cross-modulation distortion, VHF-LOW	$f_{in} = 57\text{ MHz}^{(2)}$	79	dB $\mu$ V
$CM_3$		$f_{in} = 171\text{ MHz}^{(2)}$	79	
$CM_4$	1% cross-modulation distortion, VHF-HIGH	$f_{in} = 177\text{ MHz}^{(2)}$	79	dB $\mu$ V
$CM_6$		$f_{in} = 467\text{ MHz}^{(2)}$	79	
$CM_7$	1% cross-modulation distortion, UHF	$f_{in} = 473\text{ MHz}^{(2)}$	77	dB $\mu$ V
$CM_9$		$f_{in} = 864\text{ MHz}^{(2)}$	77	
$V_{IF01}$	IF output voltage, VHF-LOW	$f_{in} = 57\text{ MHz}$	117	dB $\mu$ V
$V_{IF03}$		$f_{in} = 171\text{ MHz}$	117	
$V_{IF04}$	IF output voltage, VHF-HIGH	$f_{in} = 177\text{ MHz}$	117	dB $\mu$ V
$V_{IF06}$		$f_{in} = 467\text{ MHz}$	117	
$V_{IF07}$	IF output voltage, UHF	$f_{in} = 473\text{ MHz}$	117	dB $\mu$ V
$V_{IF09}$		$f_{in} = 864\text{ MHz}$	117	
$\Phi_{PLVL11}$	Phase noise, VHF-LOW	$f_{in} = 57\text{ MHz}$ , Offset = 1 kHz <sup>(3)</sup>	-90	dBc/Hz
$\Phi_{PLVL12}$		$f_{in} = 57\text{ MHz}$ , Offset = 10 kHz <sup>(4)</sup>	-95	
$\Phi_{PLVL31}$		$f_{in} = 171\text{ MHz}$ , Offset = 1 kHz <sup>(5)</sup>	-85	
$\Phi_{PLVL32}$		$f_{in} = 171\text{ MHz}$ , Offset = 10 kHz <sup>(4)</sup>	-95	
$\Phi_{PLVL41}$	Phase noise, VHF-HIGH	$f_{in} = 177\text{ MHz}$ , Offset = 1 kHz <sup>(3)</sup>	-85	dBc/Hz
$\Phi_{PLVL42}$		$f_{in} = 177\text{ MHz}$ , Offset = 10 kHz <sup>(4)</sup>	-90	
$\Phi_{PLVL61}$		$f_{in} = 467\text{ MHz}$ , Offset = 1 kHz <sup>(5)</sup>	-77	
$\Phi_{PLVL62}$		$f_{in} = 467\text{ MHz}$ , Offset = 10 kHz <sup>(4)</sup>	-90	
$\Phi_{PLVL71}$	Phase noise, UHF	$f_{in} = 473\text{ MHz}$ , Offset = 1 kHz <sup>(3)</sup>	-80	dBc/Hz
$\Phi_{PLVL72}$		$f_{in} = 473\text{ MHz}$ , Offset = 10 kHz <sup>(4)</sup>	-85	
$\Phi_{PLVL91}$		$f_{in} = 864\text{ MHz}$ , Offset = 1 kHz <sup>(5)</sup>	-77	
$\Phi_{PLVL92}$		$f_{in} = 864\text{ MHz}$ , Offset = 10 kHz <sup>(4)</sup>	-90	

- (1) RF input level = 70 dB $\mu$ V, differential output
- (2)  $f_{undes} = f_{des} \pm 6\text{ MHz}$ ,  $P_{in} = 80\text{ dB}\mu\text{V}$ , AM 1 kHz, 30%, DES/CM = S/I = 46 dB
- (3) CP[1:0] = 10 (CP current 350  $\mu$ A), RS[2:0] = 011 (reference divider 64)
- (4) CP[1:0] = 00 (CP current 70  $\mu$ A), RS[2:0] = 100 (reference divider 128)
- (5) CP[1:0] = 11 (CP current 600  $\mu$ A), RS[2:0] = 100 (reference divider 128)

## Functional Description

### I<sup>2</sup>C Bus Mode

#### I<sup>2</sup>C Write Mode (R/W = 0)

**Table 1. Write Data Format**

	MSB							LSB	(1)
Address byte (ADB)	1	1	0	0	0	MA1	MA0	R/W = 0	A
Divider byte 1 (DB1)	0	N14	N13	N12	N11	N10	N9	N8	A
Divider byte 2 (DB2)	N7	N6	N5	N4	N3	N2	N1	N0	A
Control byte 1 (CB1)	1	0	ATP2	ATP1	ATP0	RS2	RS1	RS0	A
Band-switch byte (BB)	CP1	CP0	0	P5	BS4	BS3	BS2	BS1	A
Control byte 2 (CB2)	1	1	ATC	STBY	T3	T2	T1/ATSS	T0/XLO	A

(1) A: Acknowledge

**Table 2. Write Data Symbol Description**

SYMBOL	DESCRIPTION	DEFAULT															
MA[1:0]	Address-set bits (see <a href="#">Table 3</a> )																
N[14:0]	Programmable counter set bits $N = N14 \times 2^{14} + N13 \times 2^{13} + \dots + N1 \times 2 + N0$	N14 = N13 = N12 = ... = N0 = 0															
ATP[2:0]	RF AGC start-point control bits (see <a href="#">Table 4</a> )	ATP[2:0] = 011															
RS[2:0]	Reference divider ratio-selection bits (see <a href="#">Table 5</a> )	RS[2:0] = 111															
CP[1:0]	Charge-pump current-set bit (see <a href="#">Table 6</a> )	CP[1:0] = 11															
P5	Port output/ADC input control bit P5 = 0: ADC INPUT P5 = 1: Tr = ON	P5 = 0															
BS[4:1]	Band-switch control bits BS <sub>n</sub> = 0: Tr = OFF BS <sub>n</sub> = 1: Tr = ON  Band selection by BS[1:2] <table border="1" style="margin-left: 20px;"> <thead> <tr> <th>BS1</th> <th>BS2</th> <th></th> </tr> </thead> <tbody> <tr> <td>1</td> <td>0</td> <td>VHF-LO</td> </tr> <tr> <td>0</td> <td>1</td> <td>VHF-HI</td> </tr> <tr> <td>0</td> <td>0</td> <td>UHF</td> </tr> <tr> <td>1</td> <td>1</td> <td>Reserved</td> </tr> </tbody> </table>	BS1	BS2		1	0	VHF-LO	0	1	VHF-HI	0	0	UHF	1	1	Reserved	BS <sub>n</sub> = 0
BS1	BS2																
1	0	VHF-LO															
0	1	VHF-HI															
0	0	UHF															
1	1	Reserved															
ATC	RF AGC current-set bit ATC = 0: Current = 300 nA ATC = 1: Current = 9μA	ATC = 0															
STBY	Power standby mode-control bit STBY = 0: Normal operation STBY = 1: Standby mode/stop MOP function (XTALOUT is available even in standby mode)	STBY = 0															
T3, T2, T1/ATSS, T0/XLO	TEST bits, RFAGC shift bit, XTALOUT control bit (see <a href="#">Table 7</a> )	T[3:0] = 0010															
X	Don't care																

**Table 3. Address Selection**

MA1	MA0	VOLTAGE APPLIED ON AS INPUT
0	0	0 V to 0.1 V <sub>CC</sub> (Low)
0	1	OPEN, or 0.2 V <sub>CC</sub> to 0.3 V <sub>CC</sub> (Mid2)
1	0	0.4 V <sub>CC</sub> to 0.6 V <sub>CC</sub> (Mid1)
1	1	0.9 V <sub>CC</sub> to V <sub>CC</sub> (High)

**Table 4. RF AGC Start Point**

T1/ATSS	ATP2	ATP1	ATP0	IFOUT LEVEL (dB $\mu$ V)
0	0	0	0	117
0	0	0	1	114
0	0	1	0	111
0	0	1	1	108
0	1	0	0	105
0	1	0	1	102
0	1	1	0	99
0	1	1	1	Disabled
1	0	0	0	112
1	0	0	1	109
1	0	1	0	106
1	0	1	1	103
1	1	0	0	100
1	1	0	1	97
1	1	1	0	94
1	1	1	1	Disabled

**Table 5. Reference Divider Ratio**

RS2	RS1	RS0	REFERENCE DIVIDER RATIO
0	0	0	24
0	0	1	28
0	1	0	50
0	1	1	64
1	0	0	128
1	X	1	80

**Table 6. Charge-Pump Current**

CP1	CP0	CHARGE PUMP CURRENT ( $\mu$ A)
0	0	70
0	1	140
1	0	350
1	1	600

**Table 7. Test Bits/XTALOUT Control <sup>(1)</sup>**

T3	T2	T1/ATSS	T0/XLO	DEVICE OPERATION	XTALOUT 4-MHz OUTPUT
0	0	X	0	Normal operation	Enabled
0	0	X	1	Normal operation	Disabled
X	1	X	X	Test mode	Not available
1	X	X	X	Test mode	Not available

(1) RFAGC and XTALOUT are not available in test mode.

### Example I<sup>2</sup>C Data Write Sequences

Telegram examples:

Start-ADB-DB1-DB2-CB1-BB-CB2-Stop  
 Start-ADB-DB1-DB2-Stop  
 Start-ADB-CB1-BB-CB2-Stop  
 Start-ADB-CB1-BB-Stop  
 Start-ADB-CB2-Stop

Abbreviations:

ADB: Address byte  
 BB: Band-switch byte  
 CB1: Control byte 1  
 CB2: Control byte 2  
 DB1: Divider byte 1  
 DB2: Divider byte 2  
 Start: Start condition  
 Stop: Stop condition

### I<sup>2</sup>C Read Mode ( $R/\overline{W} = 1$ )

**Table 8. Read Data Format (A: Acknowledge)**

	MSB							LSB		
Address byte (ADB)	1	1	0	0	0	0	MA1	MA0	$R/\overline{W} = 1$	A
Status byte (SB)	POR	FL	1	1	X		A2	A1	A0	–

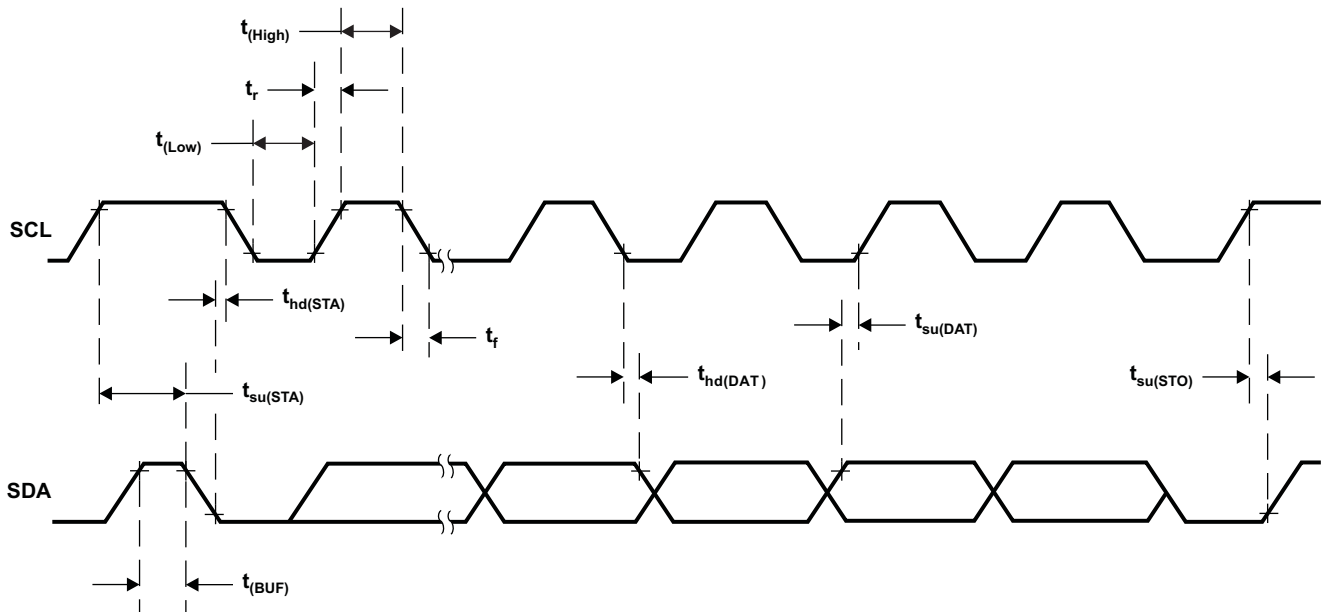
**Table 9. Read Data Symbol Description**

SYMBOL	DESCRIPTION	DEFAULT
MA[1:0]	Address set bits (see <a href="#">Table 3</a> )	
POR	Power-on-reset flag POR set: power on POR reset: end-of-data transmission procedure	POR = 1
FL	In-lock flag PLL locked (FL = 1), unlocked (FL = 0)	
A[2:0]	Digital data of ADC (see <a href="#">Table 10</a> ) Bit P5 must be set to 0.	

Table 10. ADC Level<sup>(1)</sup>

A2	A1	A0	VOLTAGE APPLIED ON ADC INPUT
1	0	0	0.6 V <sub>CC</sub> to V <sub>CC</sub>
0	1	1	0.45 V <sub>CC</sub> to 0.6 V <sub>CC</sub>
0	1	0	0.3 V <sub>CC</sub> to 0.45 V <sub>CC</sub>
0	0	1	0.15 V <sub>CC</sub> to 0.3 V <sub>CC</sub>
0	0	0	0 V to 0.15 V <sub>CC</sub>

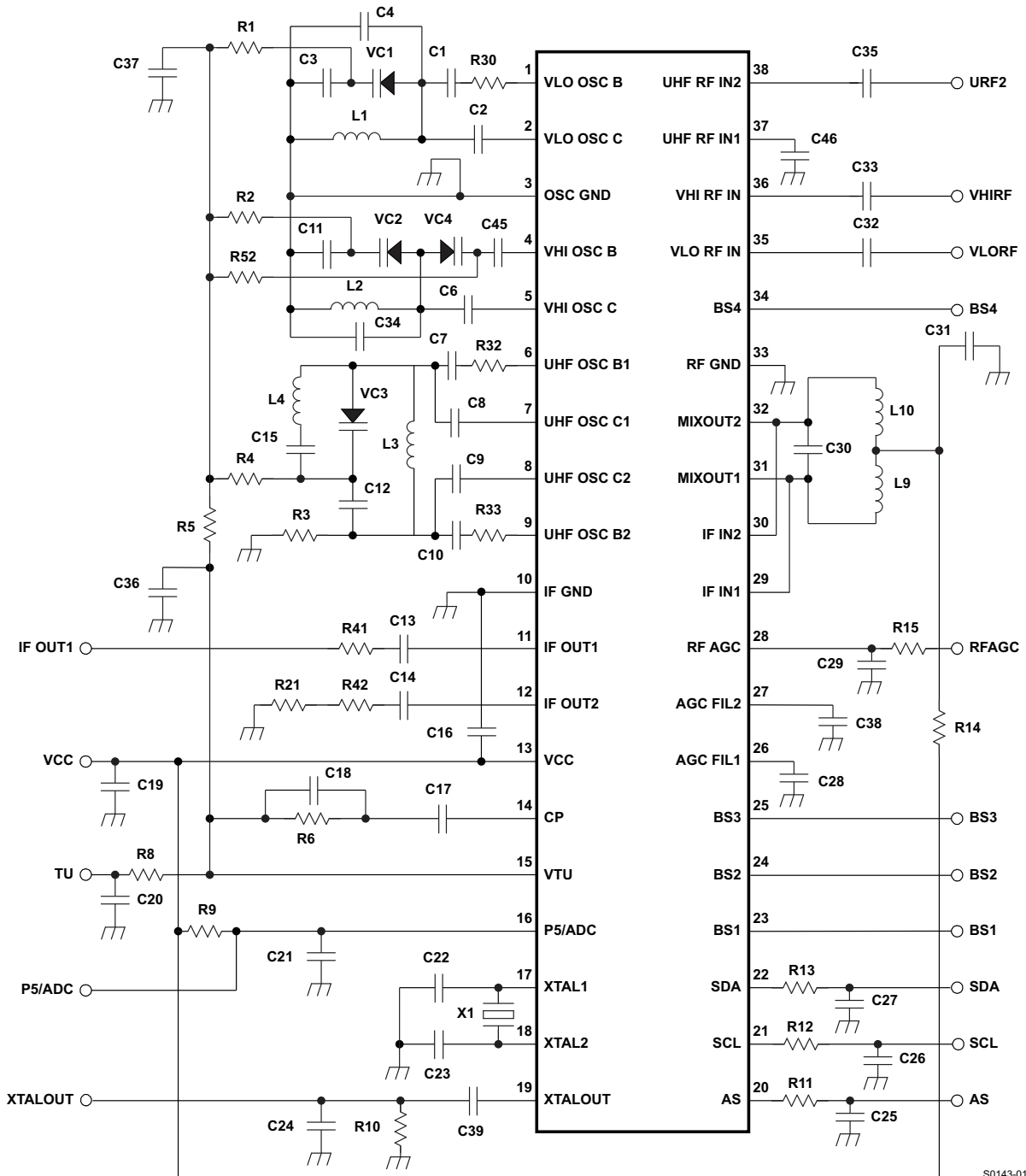
(1) Accuracy is  $0.03 \times V_{CC}$ .



T0101-01

Figure 20. I<sup>2</sup>C Timing Chart

APPLICATION INFORMATION



S0143-01

NOTE: This application information is advisory, and a performance-check is required for actual application circuits. TI assumes no responsibility for the consequences of the use of this circuit, nor for any infringement of patent or patent rights of third parties that may result from its use.

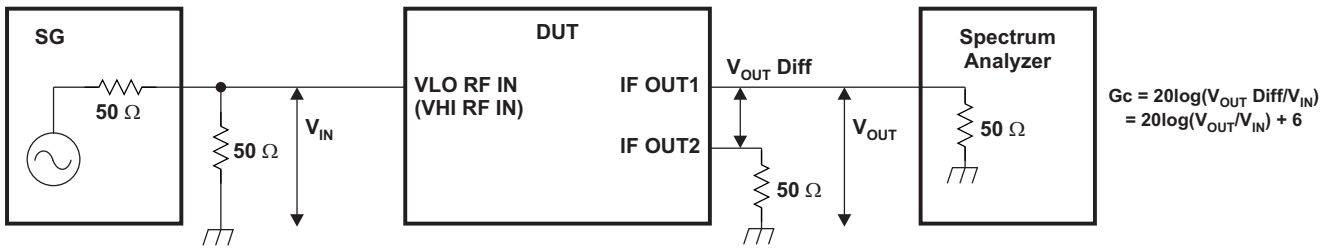
Figure 21. Reference Measurement Circuit

**APPLICATION INFORMATION (continued)**  
**Component Values for Measurement Circuit**

PART NAME	VALUE	PART NAME	VALUE
C1 (VLO OSCB)	1 pF	C39 (XTALOUT)	2.2 nF
C2 (VLO OSCC)	2 pF	C45 (VHI OSC)	7 pF
C3 (VLO OSC)	47 pF	C46 (URF1)	2.2 nF
C4 (VLO OSC)	Open	L1 (VLO OSC)	φ 3,0 mm, 7T, wire 0,32 mm
C6 (VHI OSCC)	5 pF	L2 (VHI OSC)	φ2,0 mm, 3T, wire 0,4 mm
C7 (UHF OSCB1)	1 pF	L3 (UHF OSC)	φ1,8 mm, 3T, wire 0,4 mm
C8 (UHF OSCC1)	1 pF	L4 (UHF OSC)	φ1,8 mm, 3T, wire 0,4 mm
C9 (UHF OSCC2)	1 pF	L9 (MIXOUT)	680 nH (LK1608R68K-T)
C10 (UHF OSCB2)	1 pF	L10 (MIXOUT)	680 nH (LK1608R68K-T)
C11 (VHI OSC)	51 pF	R1 (VLO OSC)	3.3 kΩ
C12 (UHF OSC)	10 pF	R2 (VHI OSC)	3.3 kΩ
C13 (IFOUT)	2.2 nF	R3 (UHF OSC)	2.2 kΩ
C14 (IFOUT)	2.2 nF	R4 (UHF OSC)	1 kΩ
C15 (UHF OSC)	100 pF	R5 (VTU)	3 kΩ
C16 (VCC)	4.7 nF	R6 (CP)	47 kΩ
C17 (CP)	0.01 μF/50 V	R8 (VTU)	20 kΩ
C18 (CP)	22 pF/50 V	R9 (P5/ADC)	Open
C19 (VCC)	2.2 nF	R10 (XTALOUT)	5.1 kΩ
C20 (VTU)	2.2 nF/50 V	R11 (AS)	330 Ω
C21 (P5/ADC)	Open	R12 (SCL)	330 Ω
C22 (XTAL)	27 pF	R13 (SDA)	330 Ω
C23 (XTAL)	27 pF	R14 (VCC)	0
C24 (XTALOUT)	10 pF	R15 (RFAGC)	0
C25 (AS)	Open	R21 (IFOUT)	1 kΩ
C26 (SCL)	Open	R30 (VLO OSC)	10
C27 (SDA)	Open	R32 (UHF OSC)	0
C28 (AGCFIL1)	0.1 μF	R33 (UHF OSC)	0
C29 (RFAGC)	0.15 μF	R41 (IFOUT)	1 kΩ
C30 (MIXOUT)	5 pF	R42 (IFOUT)	0
C31 (MIXOUT)	2.2 nF	R52 (VHI OSC)	3.3 kΩ
C32 (VLORF)	2.2 nF	U1	SN761664
C33 (VHIRF)	2.2 nF	VC1 (VLO OSC)	MA2S374
C34 (VHI OSC)	0.5 pF	VC2 (VHI OSC)	MA2S374
C35 (URF2)	2.2 nF	VC3 (UHF OSC)	MA2S372
C36 (VTU)	Open	VC4 (VHI OSC)	MA2S372
C37 (VTU)	2.2 nF/50 V	X1	4-MHz crystal
C38 (RGCFIL2)	Open		

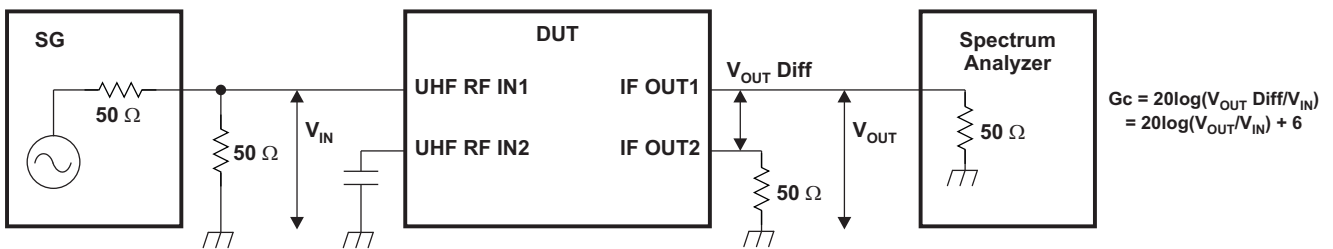
APPLICATION INFORMATION (CONTINUED)

Test Circuits



S0144-01

Figure 22. VHF-Conversion Gain-Measurement Circuit



S0145-01

Figure 23. UHF-Conversion Gain-Measurement Circuit

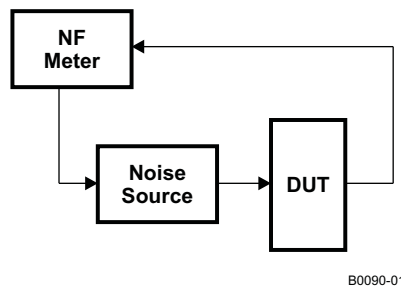


Figure 24. Noise-Figure Measurement Circuit

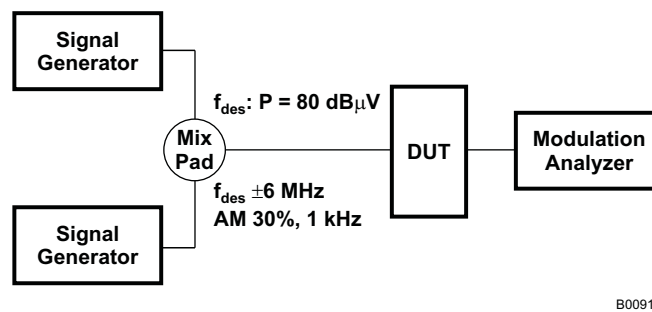


Figure 25. 1% Cross-Modulation Distortion Measurement Circuit

TYPICAL CHARACTERISTICS

Band-Switch Driver Output Voltage (BS1–BS4)

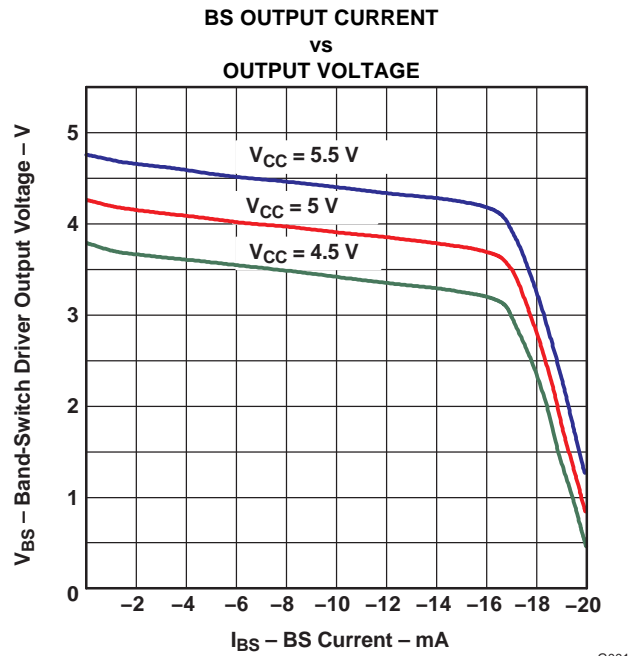


Figure 26. Band-Switch Driver Output Voltage

S-Parameter

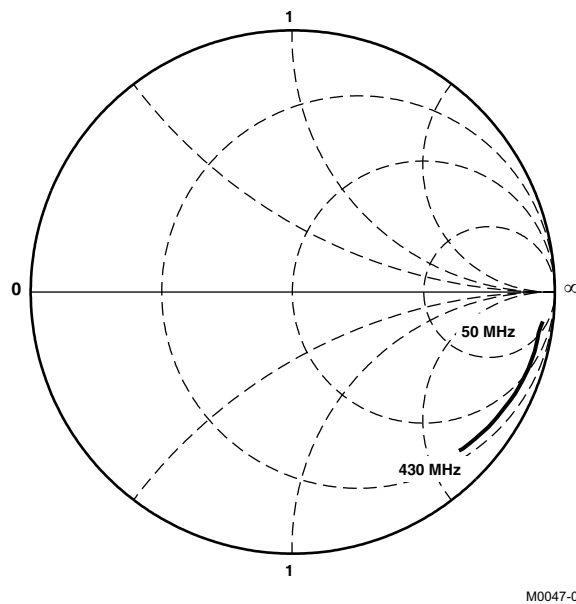
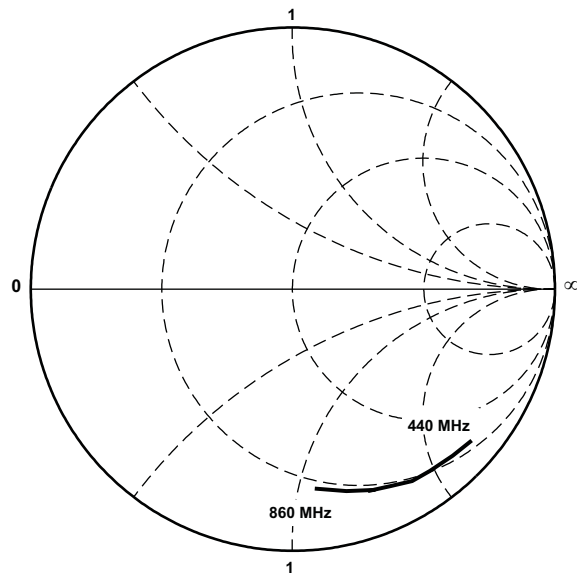


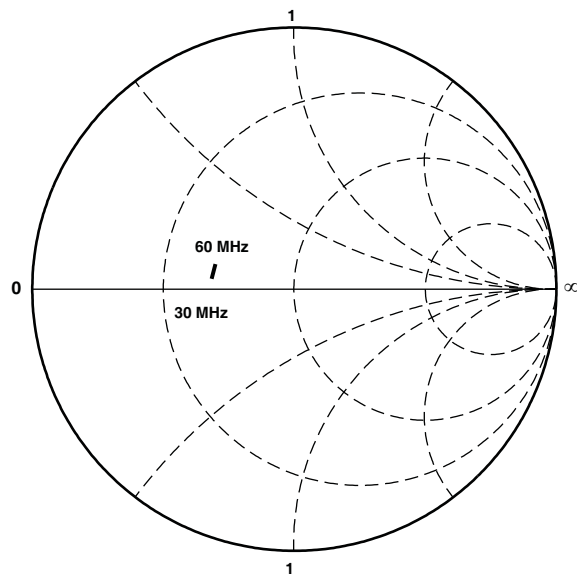
Figure 27. VLO RFIN, VHI RFIN

TYPICAL CHARACTERISTICS (continued)



M0047-02

Figure 28. UHF RFIN



M0047-03

Figure 29. IFOUT

**PACKAGING INFORMATION**

Orderable Device	Status <sup>(1)</sup>	Package Type	Package Drawing	Pins	Package Qty	Eco Plan <sup>(2)</sup>	Lead/ Ball Finish	MSL Peak Temp <sup>(3)</sup>	Samples (Requires Login)
SN761664DBT	OBSOLETE	TSSOP	DBT	38		TBD	Call TI	Call TI	
SN761664DBTG4	OBSOLETE	TSSOP	DBT	38		TBD	Call TI	Call TI	
SN761664DBTR	ACTIVE	TSSOP	DBT	38	2000	Green (RoHS & no Sb/Br)	CU NIPDAU	Level-2-260C-1 YEAR	
SN761664DBTRG4	ACTIVE	TSSOP	DBT	38	2000	Green (RoHS & no Sb/Br)	CU NIPDAU	Level-2-260C-1 YEAR	

<sup>(1)</sup> The marketing status values are defined as follows:

**ACTIVE:** Product device recommended for new designs.

**LIFEBUY:** TI has announced that the device will be discontinued, and a lifetime-buy period is in effect.

**NRND:** Not recommended for new designs. Device is in production to support existing customers, but TI does not recommend using this part in a new design.

**PREVIEW:** Device has been announced but is not in production. Samples may or may not be available.

**OBSOLETE:** TI has discontinued the production of the device.

<sup>(2)</sup> Eco Plan - The planned eco-friendly classification: Pb-Free (RoHS), Pb-Free (RoHS Exempt), or Green (RoHS & no Sb/Br) - please check <http://www.ti.com/productcontent> for the latest availability information and additional product content details.

**TBD:** The Pb-Free/Green conversion plan has not been defined.

**Pb-Free (RoHS):** TI's terms "Lead-Free" or "Pb-Free" mean semiconductor products that are compatible with the current RoHS requirements for all 6 substances, including the requirement that lead not exceed 0.1% by weight in homogeneous materials. Where designed to be soldered at high temperatures, TI Pb-Free products are suitable for use in specified lead-free processes.

**Pb-Free (RoHS Exempt):** This component has a RoHS exemption for either 1) lead-based flip-chip solder bumps used between the die and package, or 2) lead-based die adhesive used between the die and leadframe. The component is otherwise considered Pb-Free (RoHS compatible) as defined above.

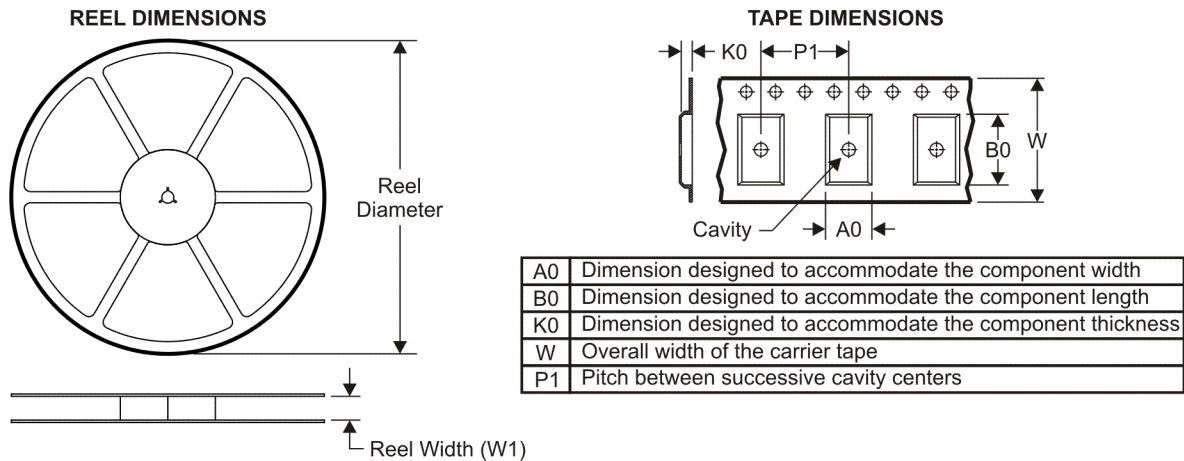
**Green (RoHS & no Sb/Br):** TI defines "Green" to mean Pb-Free (RoHS compatible), and free of Bromine (Br) and Antimony (Sb) based flame retardants (Br or Sb do not exceed 0.1% by weight in homogeneous material)

<sup>(3)</sup> MSL, Peak Temp. -- The Moisture Sensitivity Level rating according to the JEDEC industry standard classifications, and peak solder temperature.

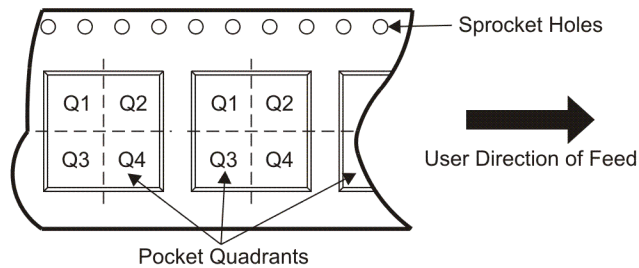
**Important Information and Disclaimer:** The information provided on this page represents TI's knowledge and belief as of the date that it is provided. TI bases its knowledge and belief on information provided by third parties, and makes no representation or warranty as to the accuracy of such information. Efforts are underway to better integrate information from third parties. TI has taken and continues to take reasonable steps to provide representative and accurate information but may not have conducted destructive testing or chemical analysis on incoming materials and chemicals. TI and TI suppliers consider certain information to be proprietary, and thus CAS numbers and other limited information may not be available for release.

In no event shall TI's liability arising out of such information exceed the total purchase price of the TI part(s) at issue in this document sold by TI to Customer on an annual basis.

## TAPE AND REEL INFORMATION



### QUADRANT ASSIGNMENTS FOR PIN 1 ORIENTATION IN TAPE



\*All dimensions are nominal

Device	Package Type	Package Drawing	Pins	SPQ	Reel Diameter (mm)	Reel Width W1 (mm)	A0 (mm)	B0 (mm)	K0 (mm)	P1 (mm)	W (mm)	Pin1 Quadrant
SN761664DBTR	TSSOP	DBT	38	2000	330.0	16.4	6.9	10.2	1.8	12.0	16.0	Q1

**TAPE AND REEL BOX DIMENSIONS**



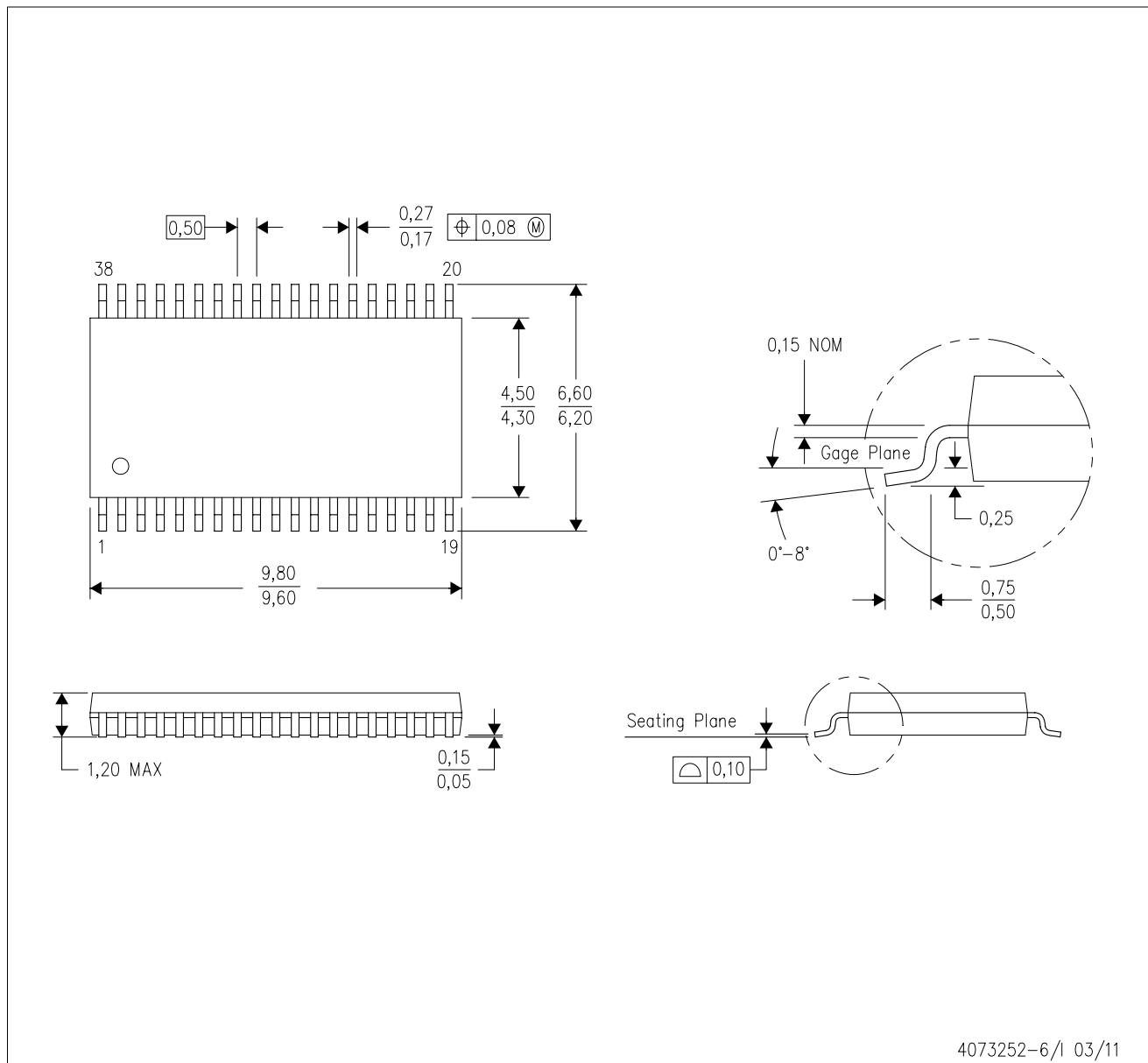
\*All dimensions are nominal

Device	Package Type	Package Drawing	Pins	SPQ	Length (mm)	Width (mm)	Height (mm)
SN761664DBTR	TSSOP	DBT	38	2000	346.0	346.0	33.0

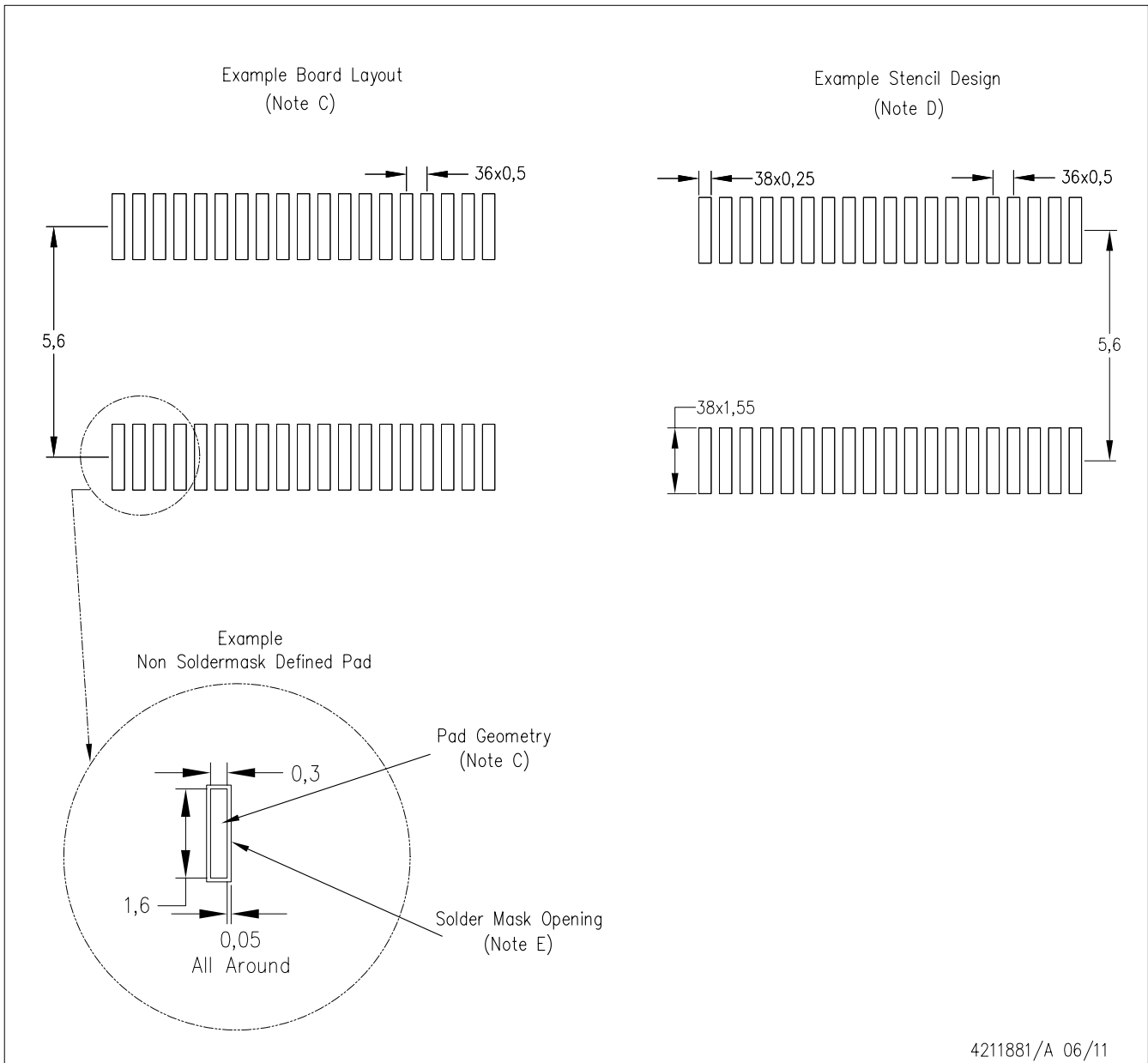
# MECHANICAL DATA

DBT (R-PDSO-G38)

PLASTIC SMALL OUTLINE



- NOTES:
- All linear dimensions are in millimeters. Dimensioning and tolerancing per ASME Y14.5M-1994.
  - This drawing is subject to change without notice.
  - Body dimensions do not include mold flash or protrusion.
  - Falls within JEDEC MO-153.



- NOTES:
- A. All linear dimensions are in millimeters.
  - B. This drawing is subject to change without notice.
  - C. Publication IPC-7351 is recommended for alternate designs.
  - D. Laser cutting apertures with trapezoidal walls and also rounding corners will offer better paste release. Customers should contact their board assembly site for stencil design recommendations. Refer to IPC-7525.
  - E. Customers should contact their board fabrication site for solder mask tolerances between and around signal pads.

## IMPORTANT NOTICE

Texas Instruments Incorporated and its subsidiaries (TI) reserve the right to make corrections, modifications, enhancements, improvements, and other changes to its products and services at any time and to discontinue any product or service without notice. Customers should obtain the latest relevant information before placing orders and should verify that such information is current and complete. All products are sold subject to TI's terms and conditions of sale supplied at the time of order acknowledgment.

TI warrants performance of its hardware products to the specifications applicable at the time of sale in accordance with TI's standard warranty. Testing and other quality control techniques are used to the extent TI deems necessary to support this warranty. Except where mandated by government requirements, testing of all parameters of each product is not necessarily performed.

TI assumes no liability for applications assistance or customer product design. Customers are responsible for their products and applications using TI components. To minimize the risks associated with customer products and applications, customers should provide adequate design and operating safeguards.

TI does not warrant or represent that any license, either express or implied, is granted under any TI patent right, copyright, mask work right, or other TI intellectual property right relating to any combination, machine, or process in which TI products or services are used. Information published by TI regarding third-party products or services does not constitute a license from TI to use such products or services or a warranty or endorsement thereof. Use of such information may require a license from a third party under the patents or other intellectual property of the third party, or a license from TI under the patents or other intellectual property of TI.

Reproduction of TI information in TI data books or data sheets is permissible only if reproduction is without alteration and is accompanied by all associated warranties, conditions, limitations, and notices. Reproduction of this information with alteration is an unfair and deceptive business practice. TI is not responsible or liable for such altered documentation. Information of third parties may be subject to additional restrictions.

Resale of TI products or services with statements different from or beyond the parameters stated by TI for that product or service voids all express and any implied warranties for the associated TI product or service and is an unfair and deceptive business practice. TI is not responsible or liable for any such statements.

TI products are not authorized for use in safety-critical applications (such as life support) where a failure of the TI product would reasonably be expected to cause severe personal injury or death, unless officers of the parties have executed an agreement specifically governing such use. Buyers represent that they have all necessary expertise in the safety and regulatory ramifications of their applications, and acknowledge and agree that they are solely responsible for all legal, regulatory and safety-related requirements concerning their products and any use of TI products in such safety-critical applications, notwithstanding any applications-related information or support that may be provided by TI. Further, Buyers must fully indemnify TI and its representatives against any damages arising out of the use of TI products in such safety-critical applications.

TI products are neither designed nor intended for use in military/aerospace applications or environments unless the TI products are specifically designated by TI as military-grade or "enhanced plastic." Only products designated by TI as military-grade meet military specifications. Buyers acknowledge and agree that any such use of TI products which TI has not designated as military-grade is solely at the Buyer's risk, and that they are solely responsible for compliance with all legal and regulatory requirements in connection with such use.

TI products are neither designed nor intended for use in automotive applications or environments unless the specific TI products are designated by TI as compliant with ISO/TS 16949 requirements. Buyers acknowledge and agree that, if they use any non-designated products in automotive applications, TI will not be responsible for any failure to meet such requirements.

Following are URLs where you can obtain information on other Texas Instruments products and application solutions:

### Products

Audio	<a href="http://www.ti.com/audio">www.ti.com/audio</a>
Amplifiers	<a href="http://amplifier.ti.com">amplifier.ti.com</a>
Data Converters	<a href="http://dataconverter.ti.com">dataconverter.ti.com</a>
DLP® Products	<a href="http://www.dlp.com">www.dlp.com</a>
DSP	<a href="http://dsp.ti.com">dsp.ti.com</a>
Clocks and Timers	<a href="http://www.ti.com/clocks">www.ti.com/clocks</a>
Interface	<a href="http://interface.ti.com">interface.ti.com</a>
Logic	<a href="http://logic.ti.com">logic.ti.com</a>
Power Mgmt	<a href="http://power.ti.com">power.ti.com</a>
Microcontrollers	<a href="http://microcontroller.ti.com">microcontroller.ti.com</a>
RFID	<a href="http://www.ti-rfid.com">www.ti-rfid.com</a>
OMAP Mobile Processors	<a href="http://www.ti.com/omap">www.ti.com/omap</a>
Wireless Connectivity	<a href="http://www.ti.com/wirelessconnectivity">www.ti.com/wirelessconnectivity</a>

### Applications

Communications and Telecom	<a href="http://www.ti.com/communications">www.ti.com/communications</a>
Computers and Peripherals	<a href="http://www.ti.com/computers">www.ti.com/computers</a>
Consumer Electronics	<a href="http://www.ti.com/consumer-apps">www.ti.com/consumer-apps</a>
Energy and Lighting	<a href="http://www.ti.com/energy">www.ti.com/energy</a>
Industrial	<a href="http://www.ti.com/industrial">www.ti.com/industrial</a>
Medical	<a href="http://www.ti.com/medical">www.ti.com/medical</a>
Security	<a href="http://www.ti.com/security">www.ti.com/security</a>
Space, Avionics and Defense	<a href="http://www.ti.com/space-avionics-defense">www.ti.com/space-avionics-defense</a>
Transportation and Automotive	<a href="http://www.ti.com/automotive">www.ti.com/automotive</a>
Video and Imaging	<a href="http://www.ti.com/video">www.ti.com/video</a>

TI E2E Community Home Page

[e2e.ti.com](http://e2e.ti.com)

Mailing Address: Texas Instruments, Post Office Box 655303, Dallas, Texas 75265  
Copyright © 2011, Texas Instruments Incorporated

## Looking for pricing, stock, or lifecycle information?

Click below to explore more details on WIN SOURCE:

 [View SN761664DBTR on WIN SOURCE](#)

 [Texas Instruments](#) Information

## Optimize Your Supply Chain with WIN SOURCE Solutions

-  Global Sourcing Solution
-  Obsolete Management
-  Cost Control Management
-  Shortage Management
-  Alternative Solution
-  Excess Inventory Management