



**THE DATASHEET OF
SN75C1168NSR**

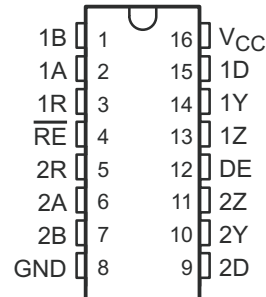
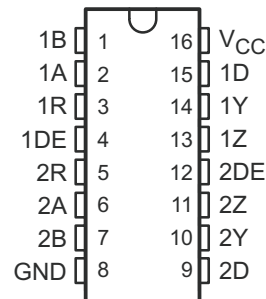


DUAL DIFFERENTIAL DRIVERS AND RECEIVERS

Check for Samples: [SN65C1167](#) [SN75C1167](#) [SN65C1168](#) [SN75C1168](#)

FEATURES

- Meet or Exceed Standards TIA/EIA-422-B and ITU Recommendation V.11
- BiCMOS Process Technology
- Low Supply-Current Requirements: 9 mA Max
- Low Pulse Skew
- Receiver Input Impedance . . . 17 k Ω Typ
- Receiver Input Sensitivity . . . ± 200 mV
- Receiver Common-Mode Input Voltage Range of -7 V to 7 V
- Operate From Single 5-V Power Supply
- Glitch-Free Power-Up/Power-Down Protection
- Receiver 3-State Outputs Active-Low Enable for SN65C1167 and SN75C1167 Only
- Improved Replacements for the MC34050 and MC34051

**SN65C1167 . . . DB OR NS PACKAGE
SN75C1167 . . . DB, N, OR NS PACKAGE
(TOP VIEW)**

**SN65C1168 . . . N, NS, OR PW PACKAGE
SN75C1168 . . . DB, N, NS, OR PW PACKAGE
(TOP VIEW)**


DESCRIPTION

The SN65C1167, SN75C1167, SN65C1168, and SN75C1168 dual drivers and receivers are integrated circuits designed for balanced transmission lines. The devices meet TIA/EIA-422-B and ITU recommendation V.11.

The SN65C1167 and SN75C1167 combine dual 3-state differential line drivers and 3-state differential line receivers, both of which operate from a single 5-V power supply. The driver and receiver have active-high and active-low enables, respectively, which can be connected together externally to function as direction control. The SN65C1168 and SN75C1168 drivers have individual active-high enables.



Please be aware that an important notice concerning availability, standard warranty, and use in critical applications of Texas Instruments semiconductor products and disclaimers thereto appears at the end of this data sheet.

ORDERING INFORMATION

| T _A | PACKAGE ^{(1) (2)} | | ORDERABLE PART NUMBER | TOP-SIDE MARKING |
|----------------|----------------------------|---------------|-----------------------|------------------|
| 0°C to 70°C | PDIP – N | Tube | SN75C1167N | SN75C1167N |
| | | | SN75C1168N | SN75C1168N |
| | SOP – NS | Tape and reel | SN75C1167NSR | 75C1167 |
| | | | SN75C1168NSR | 75C1168 |
| | SSOP – DB | Tape and reel | SN75C1167DBR | CA1167 |
| | | | SN75C1168DBR | CA1168 |
| | TSSOP – PW | Tube | SN75C1168PW | CA1168 |
| | | Tape and reel | SN75C1168PWR | |
| –40°C to 85°C | PDIP – N | Tube | SN65C1168N | SN65C1168N |
| | | | SN65C1167NSR | 65C1167 |
| | SOP – NS | Tape and reel | SN65C1168NSR | 65C1168 |
| | | | SN65C1167DBR | CB1167 |
| | TSSOP – PW | Tube | SN65C1168PW | CB1168 |
| | | Tape and reel | SN65C1168PWR | |

(1) Package drawings, thermal data, and symbolization are available at www.ti.com/sc/packaging.

(2) For the most current package and ordering information, see the Package Option Addendum at the end of this document, or see the TI web site at www.ti.com.

FUNCTION TABLES
Each Driver⁽¹⁾

| INPUT D | ENABLE DE | OUTPUTS | |
|------------|--------------|---------|---|
| | | Y | Z |
| H | H | H | L |
| L | H | L | H |
| X | L | Z | Z |

(1) H = high level, L = low level, X = irrelevant, Z = high impedance

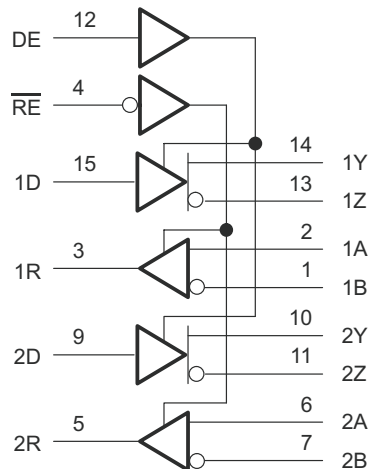
Each Receiver⁽¹⁾

| DIFFERENTIAL INPUTS A – B | ENABLE RE | OUTPUT R |
|---|--------------|-------------|
| $V_{ID} \geq 0.2 \text{ V}$ | L | H |
| $-0.2 \text{ V} < V_{ID} < 0.2 \text{ V}$ | L | ? |
| $V_{ID} \leq -0.2 \text{ V}$ | L | L |
| X | H | Z |
| Open | L | H |

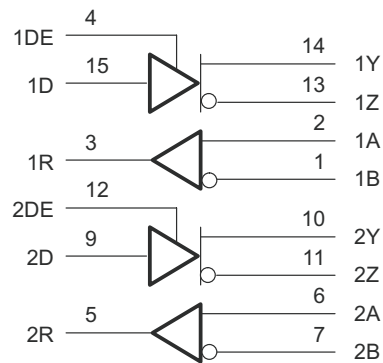
(1) H = high level, L = low level, ? = indeterminate, X = irrelevant, Z = high impedance (off), Open = input disconnected or connected driver off

LOGIC DIAGRAM (POSITIVE LOGIC)

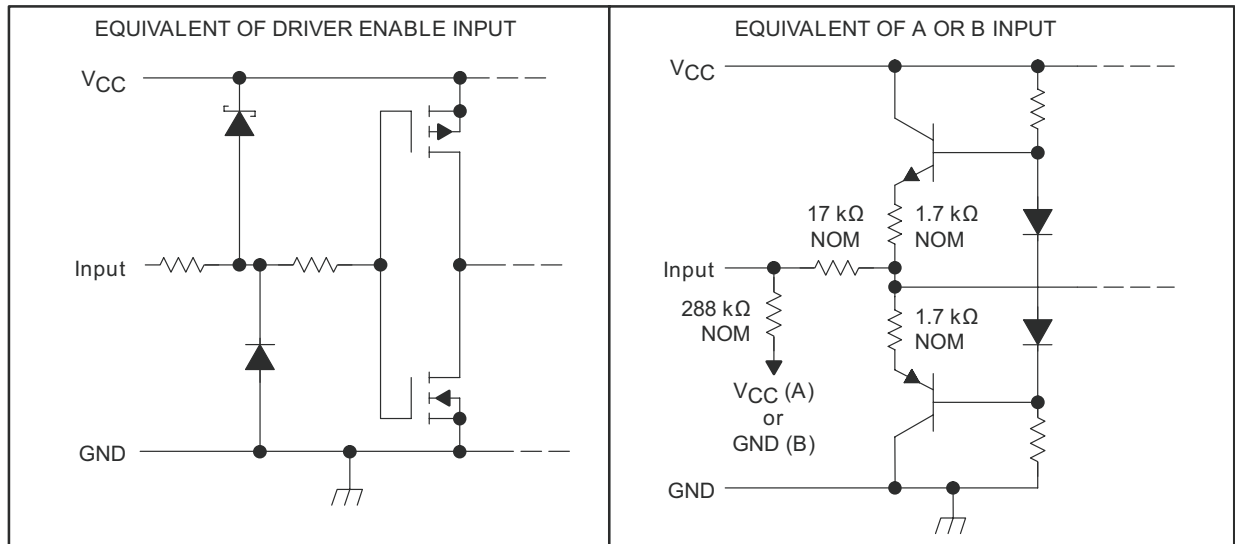
SN65C1167/SN75C1167



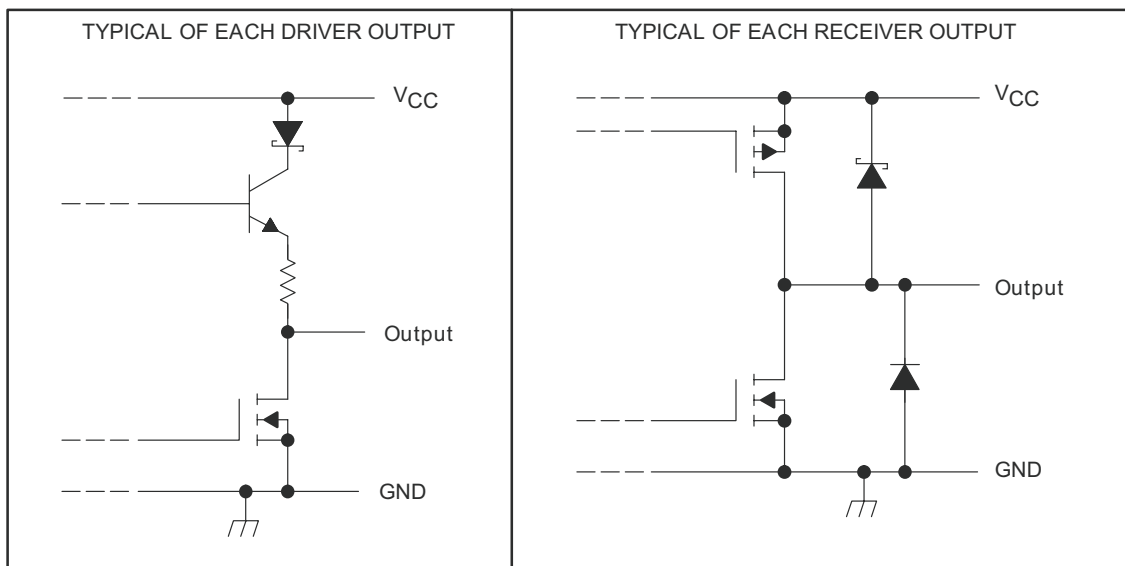
SN65C1168, SN75C1168



SCHEMATIC OF INPUTS



SCHEMATIC OF OUTPUTS



ABSOLUTE MAXIMUM RATINGS⁽¹⁾

over operating free-air temperature range (unless otherwise noted)

| | | MIN | MAX | UNIT | |
|------------------------------------|---|------------------|------|-----------------------|------|
| V _{CC} | Supply voltage range ⁽²⁾ | -0.5 | 7 | V | |
| V _I | Input voltage range | Driver | -0.5 | V _{CC} + 0.5 | V |
| | | A or B, Receiver | -11 | 14 | |
| V _{ID} | Differential input voltage range ⁽³⁾ | Receiver | -14 | 14 | V |
| V _O | Output voltage range | Driver | -0.5 | 7 | V |
| I _{IK} or I _{OK} | Clamp current range | Driver | | ±20 | mA |
| I _O | Output current range | Driver | | ±150 | mA |
| | | Receiver | | ±25 | |
| I _{CC} | Supply current | | 200 | mA | |
| | GND current | | -200 | mA | |
| T _J | Operating virtual junction temperature | | 150 | °C | |
| θ _{JA} | Package thermal impedance ^{(4) (5)} | DB package | | 82 | °C/W |
| | | N package | | 67 | |
| | | NS package | | 64 | |
| | | PW package | | 108 | |
| T _{stg} | Storage temperature range | -65 | 150 | °C | |

- (1) Stresses beyond those listed under "absolute maximum ratings" may cause permanent damage to the device. These are stress ratings only, and functional operation of the device at these or any other conditions beyond those indicated under "recommended operating conditions" is not implied. Exposure to absolute-maximum-rated conditions for extended periods may affect device reliability.
- (2) All voltages values except differential input voltage are with respect to the network GND.
- (3) Differential input voltage is measured at the noninverting terminal with respect to the inverting terminal.
- (4) Maximum power dissipation is a function of T_{J(max)}, θ_{JA}, and T_A. The maximum allowable power dissipation at any allowable ambient temperature is P_D = (T_{J(max)} - T_A)/θ_{JA}. Operating at the absolute maximum T_J of 150°C can affect reliability.
- (5) The package thermal impedance is calculated in accordance with JESD 51-7.

RECOMMENDED OPERATING CONDITIONS

| | | MIN | NOM | MAX | UNIT |
|-----------------|--|----------------------|-----|-----|------|
| V _{CC} | Supply voltage | 4.5 | 5 | 5.5 | V |
| V _{IC} | Common-mode input voltage ⁽¹⁾ | Receiver | | ±7 | V |
| V _{ID} | Differential input voltage | Receiver | | ±7 | V |
| V _{IH} | High-level input voltage | Except A, B | 2 | | V |
| V _{IL} | Low-level input voltage | Except A, B | | 0.8 | V |
| I _{OH} | High-level output current | Receiver | | -6 | mA |
| | | Driver | | -20 | |
| I _{OL} | Low-level output current | Receiver | | 6 | mA |
| | | Driver | | 20 | |
| T _A | Operating free-air temperature | SN75C1167, SN75C1168 | 0 | 70 | °C |
| | | SN65C1167, SN65C1168 | -40 | 85 | |

- (1) Refer to TIA/EIA-422-B for exact conditions.

DRIVER SECTION

Electrical Characteristics⁽¹⁾

over recommended ranges of supply voltage and operating free-air temperature (unless otherwise noted)

| PARAMETER | | TEST CONDITIONS | | MIN | TYP ⁽²⁾ | MAX | UNIT | |
|---------------------|--|--|--|-----|--------------------|-------------|------|---|
| V _{IK} | Input clamp voltage | I _I = -18 mA | | | | -1.5 | V | |
| V _{OH} | High-level output voltage | V _{IH} = 2 V, | V _{IL} = 0.8 V, I _{OH} = -20 mA | 2.4 | 3.4 | | V | |
| V _{OL} | Low-level output voltage | V _{IH} = 2 V, | V _{IL} = 0.8 V, I _{OL} = 20 mA | | 0.2 | 0.4 | V | |
| V _{OD1} | Differential output voltage | I _O = 0 mA | | 2 | | 6 | V | |
| V _{OD2} | Differential output voltage ⁽¹⁾ | R _L = 100 Ω, See Figure 1 | | 2 | 3.1 | | V | |
| Δ V _{OD} | Change in magnitude of differential output voltage | | | | | ±0.4 | V | |
| V _{OC} | Common-mode output voltage | | | | | | ±3 | V |
| Δ V _{OC} | Change in magnitude of common-mode output voltage | | | | | | ±0.4 | V |
| I _{O(OFF)} | Output current with power off | V _{CC} = 0 V | V _O = 6 V V _O = -0.25 V | | | 100 -100 | μA | |
| I _{OZ} | High-impedance-state output current | V _O = 2.5 V V _O = 5 V | | | | 20 -20 | μA | |
| I _{IH} | High-level input current | V _I = V _{CC} or V _{IH} | | | | 1 | μA | |
| I _{IL} | Low-level input current | V _I = GND or V _{IL} | | | | -1 | μA | |
| I _{OS} | Short-circuit output current ⁽³⁾ | V _O = V _{CC} or GND, | | -30 | | -150 | mA | |
| I _{CC} | Supply current (total package) ⁽⁴⁾ | No load, Enabled | V _I = V _{CC} or GND V _I = 2.4 or 0.5 V | | 4 5 | 6 3 | mA | |
| C _i | Input capacitance | | | | 6 | | pF | |

(1) Refer to TIA/EIA-422-B for exact conditions.

(2) All typical values are at V_{CC} = 5 V, and T_A = 25°C.

(3) Not more than one output should be shorted at a time, and the duration of the short circuit should not exceed one second.

(4) This parameter is measured per input, while the other inputs are at V_{CC} or GND.

Switching Characteristics

over recommended ranges of supply voltage and operating free-air temperature (unless otherwise noted)

| PARAMETER | | TEST CONDITIONS | | MIN | TYP ⁽¹⁾ | MAX | UNIT |
|--------------------|---|--|------------------------------|-----|--------------------|-----|------|
| t _{PHL} | Propagation delay time, high- to low-level output | R1 = R2 = 50 Ω, C1 = C2 = C3 = 40 pF, See Figure 2 | R3 = 500 Ω, S1 is open, | | 7 | 12 | ns |
| t _{PLH} | Propagation delay time, low- to high-level output | | | | 7 | 12 | ns |
| t _{sk(p)} | Pulse skew | | | | 0.5 | 4 | ns |
| t _r | Rise time | R1 = R2 = 50 Ω, C1 = C2 = C3 = 40 pF, See Figure 3 | R3 = 500 Ω, S1 is open, | | 5 | 10 | ns |
| t _f | Fall time | | | | 5 | 10 | ns |
| t _{PZH} | Output enable time to high level | R1 = R2 = 50 Ω, C1 = C2 = C3 = 40 pF, See Figure 4 | R3 = 500 Ω, S1 is closed, | | 10 | 19 | ns |
| t _{PZL} | Output enable time to low level | | | | 10 | 19 | ns |
| t _{PHZ} | Output disable time from low level | R1 = R2 = 50 Ω, C1 = C2 = C3 = 40 pF, See Figure 4 | R3 = 500 Ω, S1 is closed, | | 7 | 16 | ns |
| t _{PLZ} | Output disable time from high level | | | | 7 | 16 | ns |

(1) All typical values are at V_{CC} = 5 V, and T_A = 25°C.

RECEIVER SECTION

Electrical Characteristics

over recommended ranges of supply voltage and operating free-air temperature (unless otherwise noted)

| PARAMETER | | TEST CONDITIONS | | MIN | TYP ⁽¹⁾ | MAX | UNIT | |
|-----------|--|-----------------|--|--|--------------------|---------|------------|----|
| V_{IT+} | Positive-going input threshold voltage, differential input | | | | | 0.2 | V | |
| V_{IT-} | Negative-going input threshold voltage, differential input | | | -0.2 ⁽²⁾ | | | V | |
| V_{hys} | Input hysteresis ($V_{IT+} - V_{IT-}$) | | | | 60 | | mV | |
| V_{IK} | Input clamp voltage, \overline{RE} | SN75C1167 | $I_I = -18$ mA | | | -1.5 | V | |
| V_{OH} | High-level output voltage | | $V_{ID} = 200$ mV, $I_{OH} = -6$ mA | 3.8 | 4.2 | | V | |
| V_{OL} | Low-level output voltage | | $V_{ID} = -200$ mV, $I_{OL} = 6$ mA | | 0.1 | 0.3 | V | |
| I_{OZ} | High-impedance-state output current | SN75C1167 | $V_O = V_{CC}$ or GND | | ± 0.5 | ± 5 | μ A | |
| I_I | Line input current | | Other input at 0 V | $V_I = 10$ V | | 1.5 | mA | |
| | | | | $V_I = -10$ V | | -2.5 | | |
| I_I | Enable input current, \overline{RE} | SN75C1167 | $V_I = V_{CC}$ or GND | | | ± 1 | μ A | |
| r_i | Input resistance | | $V_{IC} = -7$ V to 7 V, Other input at 0 V | 4 | 17 | | k Ω | |
| I_{CC} | Supply current (total package) | | No load, Enabled | $V_I = V_{CC}$ or GND | | 4 | 6 | mA |
| | | | | $V_{IH} = 2.4$ V or 0.5 V ⁽³⁾ | | 5 | 9 | |

(1) All typical values are at $V_{CC} = 5$ V and $T_A = 25^\circ\text{C}$.

(2) The algebraic convention, where the less positive (more negative) limit is designated as minimum, is used in this data sheet for common-mode input voltage and threshold voltage levels only.

(3) Refer to TIA/EIA-422-B for exact conditions.

Switching Characteristics

over operating free-air temperature range (unless otherwise noted) ⁽¹⁾

| PARAMETER | | TEST CONDITIONS | | MIN | TYP ⁽²⁾ | MAX | UNIT |
|-----------|---|--|--|-----|--------------------|-----|------|
| t_{PLH} | Propagation delay time, low- to high-level output | See Figure 5 | | 9 | 17 | 27 | ns |
| t_{PHL} | Propagation delay time, high- to low-level output | | | 9 | 17 | 27 | ns |
| t_{TLH} | Transition time, low- to high-level output | $V_{IC} = 0$ V, See Figure 5 | | | 4 | 9 | ns |
| t_{THL} | Transition time, high- to low-level output | | | | 4 | 9 | ns |
| t_{PZH} | Output enable time to high level | $R_L = 1$ kW, See Figure 6 | | | 13 | 22 | ns |
| t_{PZL} | Output enable time to low level | | | | 13 | 22 | ns |
| t_{PHZ} | Output disable time from high level | | | | 13 | 22 | ns |
| t_{PLZ} | Output disable time from low level | | | | 13 | 22 | ns |

(1) Measured per input while the other inputs are at V_{CC} or GND

(2) All typical values are at $V_{CC} = 5$ V and $T_A = 25^\circ\text{C}$.

PARAMETER MEASUREMENT INFORMATION

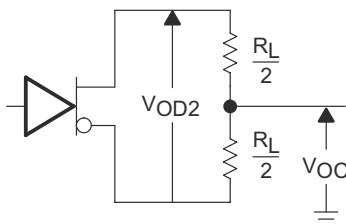


Figure 1. Driver Test Circuit, V_{OD} and V_{OC}

- A. C1, C2, and C3 include probe and jig capacitance.
- B. The input pulse is supplied by a generator having the following characteristics: PRR = 1 MHz, 50% duty cycle, $t_r = t_f \leq 6$ ns.

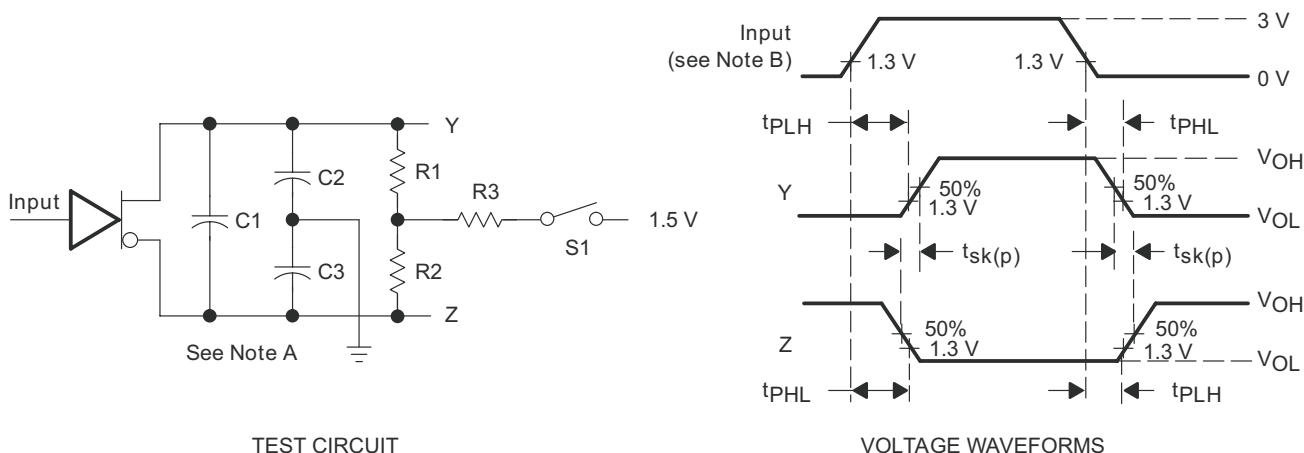


Figure 2. Driver Test Circuit and Voltage Waveforms

- C. C1, C2, and C3 include probe and jig capacitance.
- D. The input pulse is supplied by a generator having the following characteristics: PRR = 1 MHz, 50% duty cycle, $t_r = t_f \leq 6$ ns.

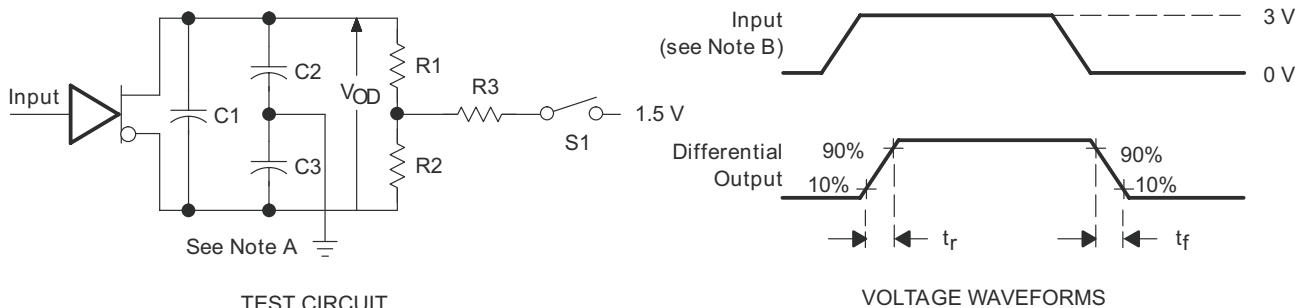


Figure 3. Driver Test Circuit and Voltage Waveforms

- E. C1, C2, and C3 include probe and jig capacitance.
- F. The input pulse is supplied by a generator having the following characteristics: PRR = 1 MHz, 50% duty cycle, $t_r = t_f \leq 6$ ns.

PARAMETER MEASUREMENT INFORMATION (continued)

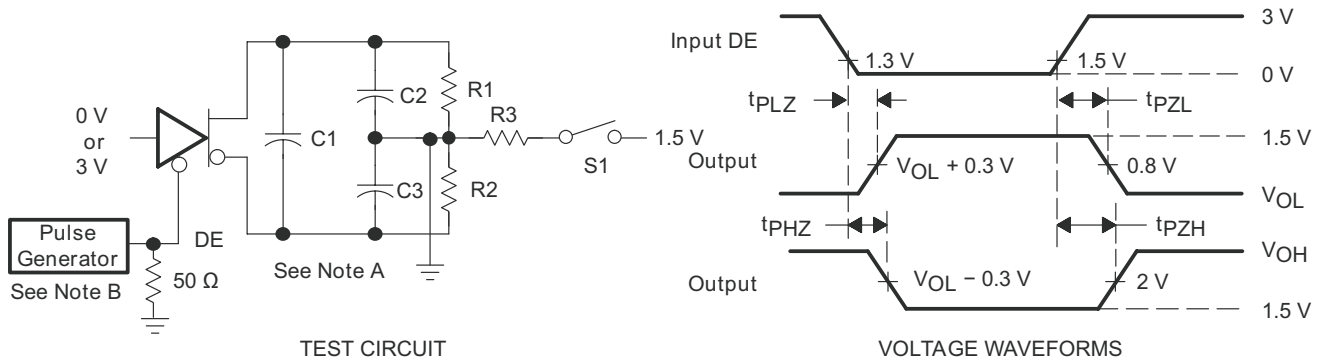


Figure 4. Driver Test Circuit and Voltage Waveforms

- G. C_L includes probe and jig capacitance.
- H. The input pulse is supplied by a generator having the following characteristics: PRR = 1 MHz, 50% duty cycle, $t_r = t_f \leq 6$ ns.

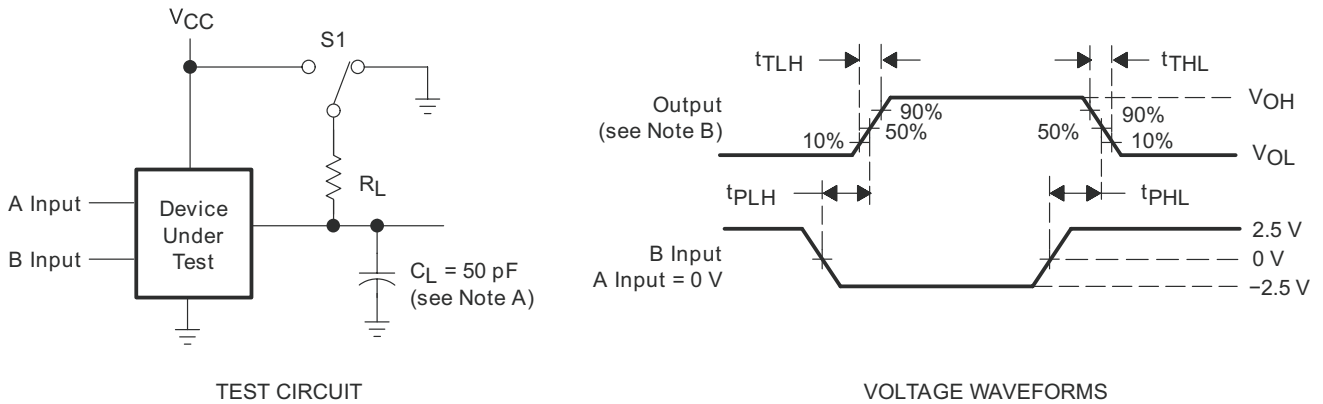


Figure 5. Receiver Test Circuit and Voltage Waveforms

- I. C_L includes probe and jig capacitance.
- J. The input pulse is supplied by a generator having the following characteristics: PRR = 1 MHz, 50% duty cycle, $t_r = t_f \leq 6$ ns.

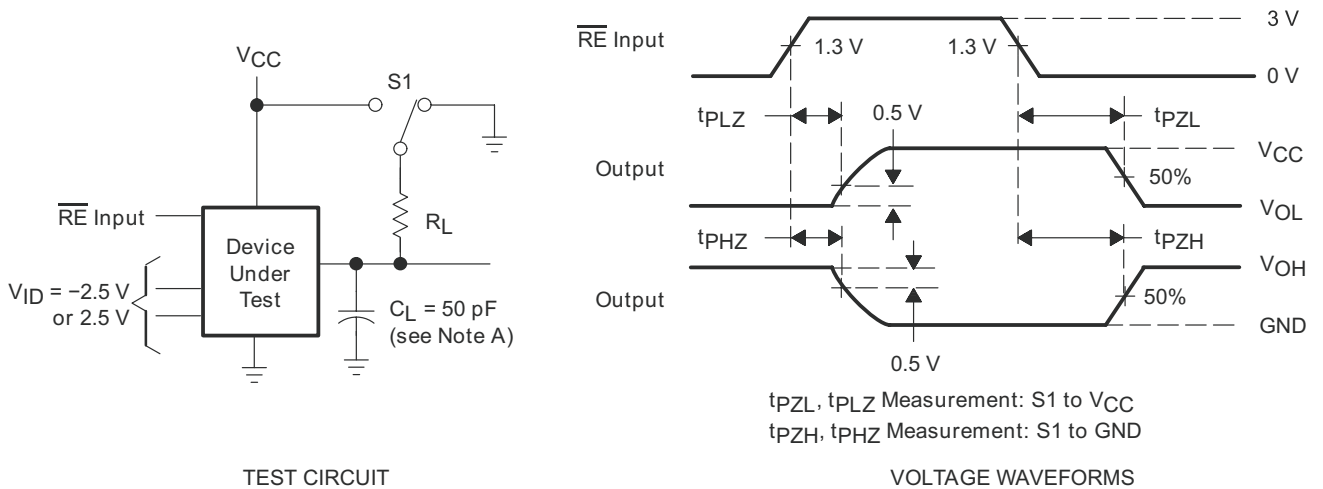


Figure 6. Receiver Test Circuit and Voltage Waveforms

PACKAGING INFORMATION

| Orderable Device | Status (1) | Package Type | Package Drawing | Pins | Package Qty | Eco Plan (2) | Lead/Ball Finish (6) | MSL Peak Temp (3) | Op Temp (°C) | Device Marking (4/5) | Samples |
|------------------|---------------|--------------|--------------------|------|----------------|----------------------------|-------------------------|----------------------|--------------|-------------------------|-------------------------|
| SN65C1167NSR | ACTIVE | SO | NS | 16 | 2000 | Green (RoHS & no Sb/Br) | CU NIPDAU | Level-1-260C-UNLIM | -40 to 85 | 65C1167 | Samples |
| SN65C1167NSRG4 | ACTIVE | SO | NS | 16 | 2000 | Green (RoHS & no Sb/Br) | CU NIPDAU | Level-1-260C-UNLIM | -40 to 85 | 65C1167 | Samples |
| SN65C1168N | ACTIVE | PDIP | N | 16 | 25 | Green (RoHS & no Sb/Br) | CU NIPDAU | N / A for Pkg Type | -40 to 85 | SN65C1168N | Samples |
| SN65C1168NSR | ACTIVE | SO | NS | 16 | 2000 | Green (RoHS & no Sb/Br) | CU NIPDAU | Level-1-260C-UNLIM | -40 to 85 | 65C1168 | Samples |
| SN65C1168NSRG4 | ACTIVE | SO | NS | 16 | 2000 | Green (RoHS & no Sb/Br) | CU NIPDAU | Level-1-260C-UNLIM | -40 to 85 | 65C1168 | Samples |
| SN65C1168PW | ACTIVE | TSSOP | PW | 16 | 90 | Green (RoHS & no Sb/Br) | CU NIPDAU | Level-1-260C-UNLIM | -40 to 85 | CB1168 | Samples |
| SN65C1168PWG4 | ACTIVE | TSSOP | PW | 16 | 90 | Green (RoHS & no Sb/Br) | CU NIPDAU | Level-1-260C-UNLIM | -40 to 85 | CB1168 | Samples |
| SN65C1168PWR | ACTIVE | TSSOP | PW | 16 | 2000 | Green (RoHS & no Sb/Br) | CU NIPDAU | Level-1-260C-UNLIM | -40 to 85 | CB1168 | Samples |
| SN75C1167DB | ACTIVE | SSOP | DB | 16 | 80 | Green (RoHS & no Sb/Br) | CU NIPDAU | Level-1-260C-UNLIM | | CA1167 | Samples |
| SN75C1167DBR | ACTIVE | SSOP | DB | 16 | 2000 | Green (RoHS & no Sb/Br) | CU NIPDAU | Level-1-260C-UNLIM | 0 to 70 | CA1167 | Samples |
| SN75C1167N | ACTIVE | PDIP | N | 16 | 25 | Green (RoHS & no Sb/Br) | CU NIPDAU | N / A for Pkg Type | 0 to 70 | SN75C1167N | Samples |
| SN75C1167NSR | ACTIVE | SO | NS | 16 | 2000 | Green (RoHS & no Sb/Br) | CU NIPDAU | Level-1-260C-UNLIM | 0 to 70 | 75C1167 | Samples |
| SN75C1167NSRG4 | ACTIVE | SO | NS | 16 | 2000 | Green (RoHS & no Sb/Br) | CU NIPDAU | Level-1-260C-UNLIM | 0 to 70 | 75C1167 | Samples |
| SN75C1168DBR | ACTIVE | SSOP | DB | 16 | 2000 | Green (RoHS & no Sb/Br) | CU NIPDAU | Level-1-260C-UNLIM | 0 to 70 | CA1168 | Samples |
| SN75C1168N | ACTIVE | PDIP | N | 16 | 25 | Green (RoHS & no Sb/Br) | CU NIPDAU | N / A for Pkg Type | 0 to 70 | SN75C1168N | Samples |
| SN75C1168NE4 | ACTIVE | PDIP | N | 16 | 25 | Green (RoHS & no Sb/Br) | CU NIPDAU | N / A for Pkg Type | 0 to 70 | SN75C1168N | Samples |
| SN75C1168NSR | ACTIVE | SO | NS | 16 | 2000 | Green (RoHS & no Sb/Br) | CU NIPDAU | Level-1-260C-UNLIM | 0 to 70 | 75C1168 | Samples |

| Orderable Device | Status (1) | Package Type | Package Drawing | Pins | Package Qty | Eco Plan (2) | Lead/Ball Finish (6) | MSL Peak Temp (3) | Op Temp (°C) | Device Marking (4/5) | Samples |
|------------------|---------------|--------------|-----------------|------|-------------|-------------------------|-------------------------|----------------------|--------------|-------------------------|-------------------------|
| SN75C1168NSRG4 | ACTIVE | SO | NS | 16 | 2000 | Green (RoHS & no Sb/Br) | CU NIPDAU | Level-1-260C-UNLIM | 0 to 70 | 75C1168 | Samples |
| SN75C1168PW | ACTIVE | TSSOP | PW | 16 | 90 | Green (RoHS & no Sb/Br) | CU NIPDAU | Level-1-260C-UNLIM | 0 to 70 | CA1168 | Samples |
| SN75C1168PWE4 | ACTIVE | TSSOP | PW | 16 | 90 | Green (RoHS & no Sb/Br) | CU NIPDAU | Level-1-260C-UNLIM | 0 to 70 | CA1168 | Samples |
| SN75C1168PWR | ACTIVE | TSSOP | PW | 16 | 2000 | Green (RoHS & no Sb/Br) | CU NIPDAU | Level-1-260C-UNLIM | 0 to 70 | CA1168 | Samples |
| SN75C1168PWRE4 | ACTIVE | TSSOP | PW | 16 | 2000 | Green (RoHS & no Sb/Br) | CU NIPDAU | Level-1-260C-UNLIM | 0 to 70 | CA1168 | Samples |
| SN75C1168PWRG4 | ACTIVE | TSSOP | PW | 16 | 2000 | Green (RoHS & no Sb/Br) | CU NIPDAU | Level-1-260C-UNLIM | 0 to 70 | CA1168 | Samples |

(1) The marketing status values are defined as follows:

ACTIVE: Product device recommended for new designs.

LIFEBUY: TI has announced that the device will be discontinued, and a lifetime-buy period is in effect.

NRND: Not recommended for new designs. Device is in production to support existing customers, but TI does not recommend using this part in a new design.

PREVIEW: Device has been announced but is not in production. Samples may or may not be available.

OBSOLETE: TI has discontinued the production of the device.

(2) **RoHS:** TI defines "RoHS" to mean semiconductor products that are compliant with the current EU RoHS requirements for all 10 RoHS substances, including the requirement that RoHS substance do not exceed 0.1% by weight in homogeneous materials. Where designed to be soldered at high temperatures, "RoHS" products are suitable for use in specified lead-free processes. TI may reference these types of products as "Pb-Free".

RoHS Exempt: TI defines "RoHS Exempt" to mean products that contain lead but are compliant with EU RoHS pursuant to a specific EU RoHS exemption.

Green: TI defines "Green" to mean the content of Chlorine (Cl) and Bromine (Br) based flame retardants meet JS709B low halogen requirements of <=1000ppm threshold. Antimony trioxide based flame retardants must also meet the <=1000ppm threshold requirement.

(3) MSL, Peak Temp. - The Moisture Sensitivity Level rating according to the JEDEC industry standard classifications, and peak solder temperature.

(4) There may be additional marking, which relates to the logo, the lot trace code information, or the environmental category on the device.

(5) Multiple Device Markings will be inside parentheses. Only one Device Marking contained in parentheses and separated by a "~" will appear on a device. If a line is indented then it is a continuation of the previous line and the two combined represent the entire Device Marking for that device.

(6) Lead/Ball Finish - Orderable Devices may have multiple material finish options. Finish options are separated by a vertical ruled line. Lead/Ball Finish values may wrap to two lines if the finish value exceeds the maximum column width.

Important Information and Disclaimer: The information provided on this page represents TI's knowledge and belief as of the date that it is provided. TI bases its knowledge and belief on information provided by third parties, and makes no representation or warranty as to the accuracy of such information. Efforts are underway to better integrate information from third parties. TI has taken and continues to take reasonable steps to provide representative and accurate information but may not have conducted destructive testing or chemical analysis on incoming materials and chemicals. TI and TI suppliers consider certain information to be proprietary, and thus CAS numbers and other limited information may not be available for release.

In no event shall TI's liability arising out of such information exceed the total purchase price of the TI part(s) at issue in this document sold by TI to Customer on an annual basis.

TAPE AND REEL INFORMATION

QUADRANT ASSIGNMENTS FOR PIN 1 ORIENTATION IN TAPE


*All dimensions are nominal

| Device | Package Type | Package Drawing | Pins | SPQ | Reel Diameter (mm) | Reel Width W1 (mm) | A0 (mm) | B0 (mm) | K0 (mm) | P1 (mm) | W (mm) | Pin1 Quadrant |
|--------------|--------------|-----------------|------|------|--------------------|--------------------|---------|---------|---------|---------|--------|---------------|
| SN65C1167NSR | SO | NS | 16 | 2000 | 330.0 | 16.4 | 8.2 | 10.5 | 2.5 | 12.0 | 16.0 | Q1 |
| SN65C1168NSR | SO | NS | 16 | 2000 | 330.0 | 16.4 | 8.2 | 10.5 | 2.5 | 12.0 | 16.0 | Q1 |
| SN65C1168PWR | TSSOP | PW | 16 | 2000 | 330.0 | 12.4 | 6.9 | 5.6 | 1.6 | 8.0 | 12.0 | Q1 |
| SN75C1168PWR | TSSOP | PW | 16 | 2000 | 330.0 | 12.4 | 6.9 | 5.6 | 1.6 | 8.0 | 12.0 | Q1 |

TAPE AND REEL BOX DIMENSIONS


*All dimensions are nominal

| Device | Package Type | Package Drawing | Pins | SPQ | Length (mm) | Width (mm) | Height (mm) |
|--------------|--------------|-----------------|------|------|-------------|------------|-------------|
| SN65C1167NSR | SO | NS | 16 | 2000 | 367.0 | 367.0 | 38.0 |
| SN65C1168NSR | SO | NS | 16 | 2000 | 367.0 | 367.0 | 38.0 |
| SN65C1168PWR | TSSOP | PW | 16 | 2000 | 367.0 | 367.0 | 35.0 |
| SN75C1168PWR | TSSOP | PW | 16 | 2000 | 367.0 | 367.0 | 35.0 |

DB (R-PDSO-G**)

PLASTIC SMALL-OUTLINE

28 PINS SHOWN



- NOTES: A. All linear dimensions are in millimeters.
 B. This drawing is subject to change without notice.
 C. Body dimensions do not include mold flash or protrusion not to exceed 0,15.
 D. Falls within JEDEC MO-150

N (R-PDIP-T**)

PLASTIC DUAL-IN-LINE PACKAGE

16 PINS SHOWN



- NOTES:
- A. All linear dimensions are in inches (millimeters).
 - B. This drawing is subject to change without notice.
 - Falls within JEDEC MS-001, except 18 and 20 pin minimum body length (Dim A).
 - The 20 pin end lead shoulder width is a vendor option, either half or full width.



4220204/A 02/2017

NOTES:

1. All linear dimensions are in millimeters. Any dimensions in parenthesis are for reference only. Dimensioning and tolerancing per ASME Y14.5M.
2. This drawing is subject to change without notice.
3. This dimension does not include mold flash, protrusions, or gate burrs. Mold flash, protrusions, or gate burrs shall not exceed 0.15 mm per side.
4. This dimension does not include interlead flash. Interlead flash shall not exceed 0.25 mm per side.
5. Reference JEDEC registration MO-153.

EXAMPLE BOARD LAYOUT

PW0016A

TSSOP - 1.2 mm max height

SMALL OUTLINE PACKAGE



LAND PATTERN EXAMPLE
EXPOSED METAL SHOWN
SCALE: 10X



SOLDER MASK DETAILS

4220204/A 02/2017

NOTES: (continued)

- 6. Publication IPC-7351 may have alternate designs.
- 7. Solder mask tolerances between and around signal pads can vary based on board fabrication site.

EXAMPLE STENCIL DESIGN

PW0016A

TSSOP - 1.2 mm max height

SMALL OUTLINE PACKAGE



SOLDER PASTE EXAMPLE
BASED ON 0.125 mm THICK STENCIL
SCALE: 10X

4220204/A 02/2017

NOTES: (continued)

8. Laser cutting apertures with trapezoidal walls and rounded corners may offer better paste release. IPC-7525 may have alternate design recommendations.
9. Board assembly site may have different recommendations for stencil design.

MECHANICAL DATA

NS (R-PDSO-G**)

PLASTIC SMALL-OUTLINE PACKAGE

14-PINS SHOWN



- NOTES:
- A. All linear dimensions are in millimeters.
 - B. This drawing is subject to change without notice.
 - C. Body dimensions do not include mold flash or protrusion, not to exceed 0,15.

IMPORTANT NOTICE AND DISCLAIMER

TI PROVIDES TECHNICAL AND RELIABILITY DATA (INCLUDING DATASHEETS), DESIGN RESOURCES (INCLUDING REFERENCE DESIGNS), APPLICATION OR OTHER DESIGN ADVICE, WEB TOOLS, SAFETY INFORMATION, AND OTHER RESOURCES "AS IS" AND WITH ALL FAULTS, AND DISCLAIMS ALL WARRANTIES, EXPRESS AND IMPLIED, INCLUDING WITHOUT LIMITATION ANY IMPLIED WARRANTIES OF MERCHANTABILITY, FITNESS FOR A PARTICULAR PURPOSE OR NON-INFRINGEMENT OF THIRD PARTY INTELLECTUAL PROPERTY RIGHTS.

These resources are intended for skilled developers designing with TI products. You are solely responsible for (1) selecting the appropriate TI products for your application, (2) designing, validating and testing your application, and (3) ensuring your application meets applicable standards, and any other safety, security, or other requirements. These resources are subject to change without notice. TI grants you permission to use these resources only for development of an application that uses the TI products described in the resource. Other reproduction and display of these resources is prohibited. No license is granted to any other TI intellectual property right or to any third party intellectual property right. TI disclaims responsibility for, and you will fully indemnify TI and its representatives against, any claims, damages, costs, losses, and liabilities arising out of your use of these resources.

TI's products are provided subject to TI's Terms of Sale (www.ti.com/legal/termsofsale.html) or other applicable terms available either on ti.com or provided in conjunction with such TI products. TI's provision of these resources does not expand or otherwise alter TI's applicable warranties or warranty disclaimers for TI products.

Mailing Address: Texas Instruments, Post Office Box 655303, Dallas, Texas 75265
Copyright © 2018, Texas Instruments Incorporated

Looking for pricing, stock, or lifecycle information?

Click below to explore more details on WIN SOURCE:

 [View SN75C1168NSR](#) on WIN SOURCE

 [Texas Instruments](#) Information

Optimize Your Supply Chain with WIN SOURCE Solutions

-  Global Sourcing Solution
-  Obsolete Management
-  Cost Control Management
-  Shortage Management
-  Alternative Solution
-  Excess Inventory Management