



**THE DATASHEET OF
SN74LV4052ADR**



SN74LV4052A Dual 4-Channel Analog Multiplexers and Demultiplexers

1 Features

- 2-V to 5.5-V V_{CC} Operation
- Fast Switching
- High On-Off Output-Voltage Ratio
- Low Crosstalk Between Switches
- Extremely Low Input Current
- Latch-Up Performance Exceeds 100 mA Per JESD 78, Class II
- ESD Protection Exceeds JESD 22:
 - 2000-V Human-Body Model (A114-A)
 - 1000-V Charged-Device Model (C101)

2 Applications

- Telecommunications
- Infotainment
- Signal Gating and Isolation
- Home Appliances
- Programmable Logic Circuits
- Modulation and Demodulation

3 Description

The SN74LV4052A device is a dual, 4-channel CMOS analog multiplexer and demultiplexer that is designed for 2-V to 5.5-V V_{CC} operation.

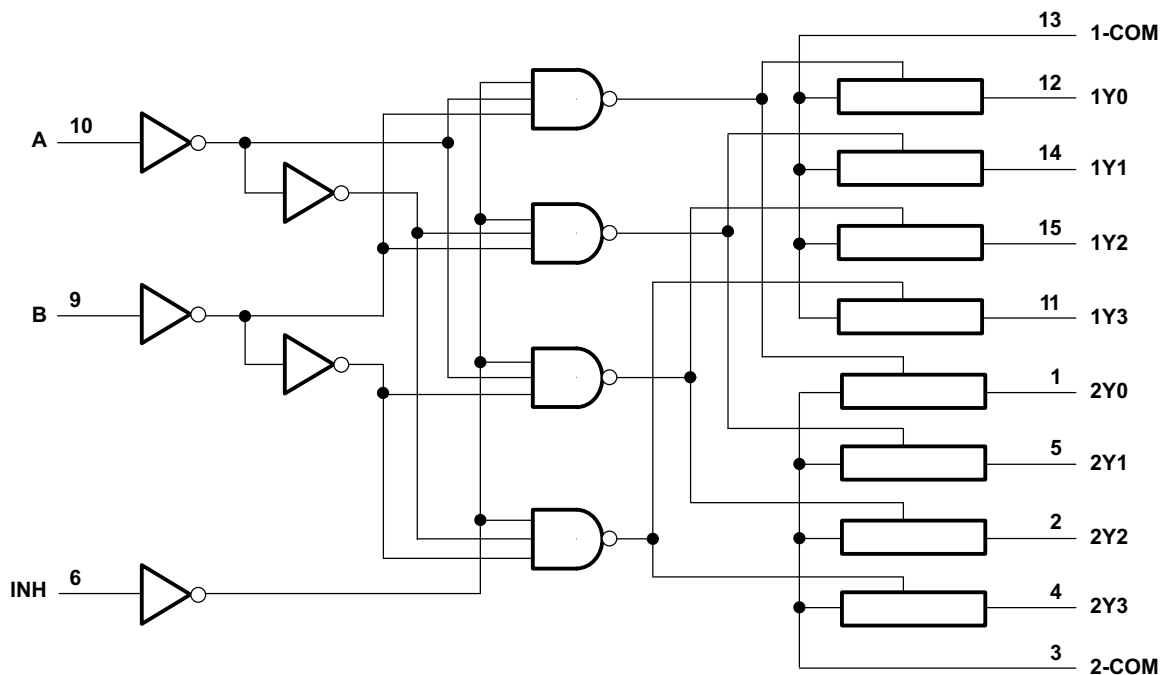
The SN74LV4052A device handles both analog and digital signals. Each channel permits signals with amplitudes up to 5.5 V (peak) to be transmitted in either direction.

Device Information⁽¹⁾

| PART NUMBER | PACKAGE | BODY SIZE (NOM) |
|----------------|------------|--------------------|
| SN74LV4052AD | SOIC (16) | 9.90 mm × 3.91 mm |
| SN74LV4052ADB | SSOP (16) | 6.20 mm × 5.30 mm |
| SN74LV4052ADGV | TVSOP (16) | 3.60 mm × 4.40 mm |
| SN74LV4052ANS | SO (16) | 10.30 mm × 5.30 mm |
| SN74LV4052AN | PDIP (16) | 19.30 mm × 6.35 mm |
| SN74LV4052APW | TSSOP (16) | 5.00 mm × 4.40 mm |
| SN74LV4052ARGY | VQFN (16) | 4.00 mm × 3.50 mm |

(1) For all available packages, see the orderable addendum at the end of the data sheet.

Logic Diagram (Positive Logic)



Copyright © 2016, Texas Instruments Incorporated



Table of Contents

| | | | |
|---|-----------|--|-----------|
| 1 Features | 1 | 8.1 Overview | 12 |
| 2 Applications | 1 | 8.2 Functional Block Diagram | 12 |
| 3 Description | 1 | 8.3 Feature Description | 12 |
| 4 Revision History | 2 | 8.4 Device Functional Modes | 12 |
| 5 Pin Configuration and Functions | 3 | 9 Application and Implementation | 13 |
| 6 Specifications | 4 | 9.1 Application Information | 13 |
| 6.1 Absolute Maximum Ratings | 4 | 9.2 Typical Application | 13 |
| 6.2 ESD Ratings | 4 | 10 Power Supply Recommendations | 15 |
| 6.3 Recommended Operating Conditions | 4 | 11 Layout | 15 |
| 6.4 Thermal Information | 5 | 11.1 Layout Guidelines | 15 |
| 6.5 Electrical Characteristics | 5 | 11.2 Layout Example | 15 |
| 6.6 Switching Characteristics: $V_{CC} = 2.5\text{ V} \pm 0.2\text{ V}$ | 6 | 12 Device and Documentation Support | 16 |
| 6.7 Switching Characteristics: $V_{CC} = 3.3\text{ V} \pm 0.3\text{ V}$ | 6 | 12.1 Documentation Support | 16 |
| 6.8 Switching Characteristics: $V_{CC} = 5\text{ V} \pm 0.5\text{ V}$ | 6 | 12.2 Receiving Notification of Documentation Updates | 16 |
| 6.9 Switching Characteristics: Analog | 7 | 12.3 Community Resource | 16 |
| 6.10 Operating Characteristics | 7 | 12.4 Trademarks | 16 |
| 6.11 Typical Characteristics | 7 | 12.5 Electrostatic Discharge Caution | 16 |
| 7 Parameter Measurement Information | 8 | 12.6 Glossary | 16 |
| 8 Detailed Description | 12 | 13 Mechanical, Packaging, and Orderable Information | 16 |

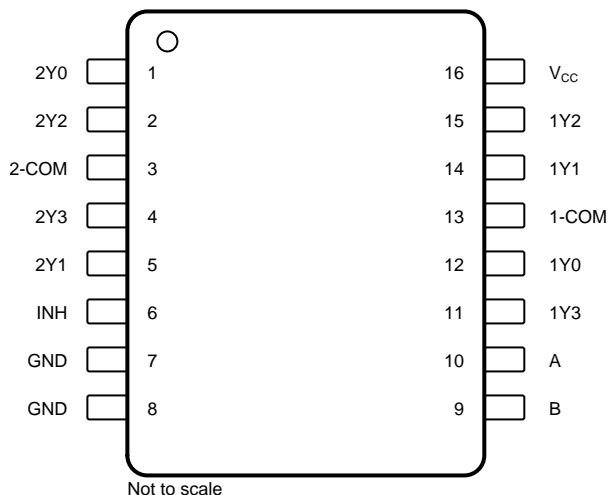
4 Revision History

NOTE: Page numbers for previous revisions may differ from page numbers in the current version.

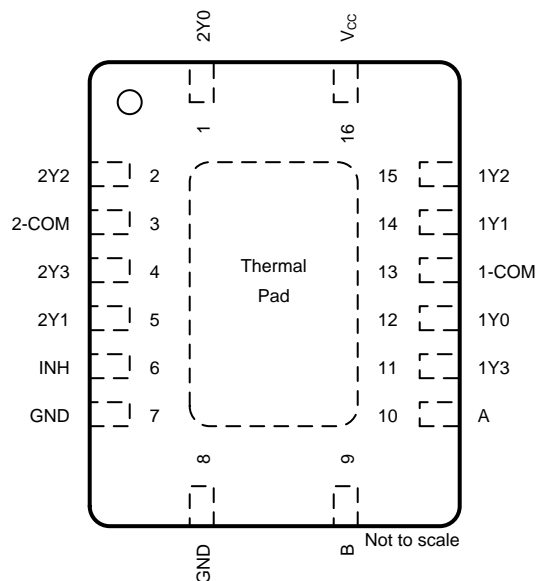
| Changes from Revision J (October 2012) to Revision K | Page |
|--|-------------|
| • Added <i>ESD Ratings</i> table, <i>Feature Description</i> section, <i>Device Functional Modes</i> , <i>Application and Implementation</i> section, <i>Power Supply Recommendations</i> section, <i>Layout</i> section, <i>Device and Documentation Support</i> section, and <i>Mechanical, Packaging, and Orderable Information</i> section | 1 |
| • Deleted <i>Ordering Information</i> table; see <i>Package Option Addendum</i> at the end of the data sheet | 1 |
| • Deleted SN54LV4052A from data sheet | 1 |
| • Changed Package thermal impedance, $R_{\theta JA}$, values in the <i>Thermal Information</i> table From: 73 To: 90.9 (D), From: 82 To: 102.8 (DB), From: 120 To: 125.7 (DGV), From: 67 To: 54.8 (N), From: 64 To: 89.7 (NS), From: 108 To: 113.2 (PW), and From: 39 To: 48.9 (RGY) | 5 |

5 Pin Configuration and Functions

D, DB, DGV, N, NS, or PW Package
16-Pin SOIC, SSOP, TVSOP, SO, PDIP, or TSSOP
 Top View



RGY Package
16-Pin VQFN With Thermal Pad
 Top View



Pin Functions

| PIN | | I/O | DESCRIPTION |
|-----|-----------------|-----|------------------------|
| NO. | NAME | | |
| 1 | 2Y0 | I/O | Port 2 channel 0 |
| 2 | 2Y2 | I/O | Port 2 channel 2 |
| 3 | 2-COM | I/O | Port 2 common channel |
| 4 | 2Y3 | I/O | Port 2 channel 3 |
| 5 | 2Y1 | I/O | Port 2 channel 1 |
| 6 | INH | I | Inhibit input |
| 7 | GND | — | Device ground |
| 8 | GND | — | Device ground |
| 9 | B | I | Logic input selector B |
| 10 | A | I | Logic input selector A |
| 11 | 1Y3 | I/O | Port 1 channel 3 |
| 12 | 1Y0 | I/O | Port 1 channel 0 |
| 13 | 1-COM | I/O | Port 1 common channel |
| 14 | 1Y1 | I/O | Port 1 channel 1 |
| 15 | 1Y2 | I/O | Port 1 channel 2 |
| 16 | V _{CC} | — | Device power |

6 Specifications

6.1 Absolute Maximum Ratings

 over operating free-air temperature range (unless otherwise noted)⁽¹⁾

| | MIN | MAX | UNIT |
|--|------------------------------------|----------------|------|
| Supply voltage, V_{CC} | -0.5 | 7 | V |
| Input voltage, V_I ⁽²⁾ | -0.5 | 7 | V |
| Switch I/O voltage, V_{IO} ⁽²⁾⁽³⁾ | -0.5 | $V_{CC} + 0.5$ | V |
| Input clamp current, I_{IK} | $V_I < 0$ | -20 | mA |
| I/O diode current, I_{IOK} | $V_{IO} < 0$ and $V_{IO} > V_{CC}$ | 50 | mA |
| Switch through current, I_T | $V_{IO} = 0$ to V_{CC} | ±25 | mA |
| Continuous current through V_{CC} or GND | | ±50 | mA |
| Junction temperature, T_J | | 150 | °C |
| Storage temperature, T_{stg} | -65 | 150 | °C |

(1) Stresses beyond those listed under *Absolute Maximum Ratings* may cause permanent damage to the device. These are stress ratings only, which do not imply functional operation of the device at these or any other conditions beyond those indicated under *Recommended Operating Conditions*. Exposure to absolute-maximum-rated conditions for extended periods may affect device reliability.

(2) The input and output negative-voltage ratings may be exceeded if the input and output current ratings are observed.

(3) This value is limited to 5.5 V maximum.

6.2 ESD Ratings

| | VALUE | UNIT |
|-------------------------------------|--|-------|
| $V_{(ESD)}$ Electrostatic discharge | Human body model (HBM), per ANSI/ESDA/JEDEC JS-001 ⁽¹⁾ | ±4000 |
| | Charged-device model (CDM), per JEDEC specification JESD22-C101 ⁽²⁾ | ±2000 |

(1) JEDEC document JEP155 states that 500-V HBM allows safe manufacturing with a standard ESD control process.

(2) JEDEC document JEP157 states that 250-V CDM allows safe manufacturing with a standard ESD control process. Tested on D package

6.3 Recommended Operating Conditions

 see⁽¹⁾

| | MIN | MAX | UNIT |
|--|---------------------------|---------------------|------|
| V_{CC} Supply voltage | 2 ⁽²⁾ | 5.5 | V |
| V_{IH} High-level input voltage (control inputs) | $V_{CC} = 2$ V | 1.5 | V |
| | $V_{CC} = 2.3$ V to 2.7 V | $V_{CC} \times 0.7$ | |
| | $V_{CC} = 3$ V to 3.6 V | $V_{CC} \times 0.7$ | |
| | $V_{CC} = 4.5$ V to 5.5 V | $V_{CC} \times 0.7$ | |
| V_{IL} Low-level input voltage (control inputs) | $V_{CC} = 2$ V | 0.5 | V |
| | $V_{CC} = 2.3$ V to 2.7 V | $V_{CC} \times 0.3$ | |
| | $V_{CC} = 3$ V to 3.6 V | $V_{CC} \times 0.3$ | |
| | $V_{CC} = 4.5$ V to 5.5 V | $V_{CC} \times 0.3$ | |
| V_I Control input voltage | 0 | 5.5 | V |
| V_{IO} Input or output voltage | 0 | V_{CC} | V |
| $\Delta t/\Delta v$ Input transition rise or fall rate | $V_{CC} = 2.3$ V to 2.7 V | 200 | ns/V |
| | $V_{CC} = 3$ V to 3.6 V | 100 | |
| | $V_{CC} = 4.5$ V to 5.5 V | 20 | |
| T_A Operating free-air temperature | -40 | 85 | °C |

(1) All unused inputs of the device must be held at V_{CC} or GND to ensure proper device operation. See *Implications of Slow or Floating CMOS Inputs* (SCBA004).

(2) With supply voltages at or near 2 V, the analog switch on-state resistance becomes very nonlinear. TI recommends that only digital signals be transmitted at these low supply voltages.

6.4 Thermal Information

| THERMAL METRIC ⁽¹⁾ | SN74LV4052A | | | | | | | UNIT |
|---|-------------|-----------|-------------|----------|---------|------------|------------|------|
| | D (SOIC) | DB (SSOP) | DGV (TVSOP) | N (PDIP) | NS (SO) | PW (TSSOP) | RGY (VQFN) | |
| | 16 PINS | 16 PINS | 16 PINS | 16 PINS | 16 PINS | 16 PINS | 16 PINS | |
| $R_{\theta JA}$ Junction-to-ambient thermal resistance | 90.9 | 102.8 | 125.7 | 54.8 | 89.7 | 113.2 | 48.9 | °C/W |
| $R_{\theta JC(top)}$ Junction-to-case (top) thermal resistance | 51.9 | 53.3 | 50.9 | 42.1 | 48.1 | 48.2 | 46.9 | °C/W |
| $R_{\theta JB}$ Junction-to-board thermal resistance | 48 | 53.4 | 57.5 | 34.8 | 50.1 | 58.3 | 25 | °C/W |
| Ψ_{JT} Junction-to-top characterization parameter | 18.6 | 16.5 | 5.6 | 26.9 | 16.7 | 6.3 | 2 | °C/W |
| Ψ_{JB} Junction-to-board characterization parameter | 47.8 | 52.9 | 57 | 34.7 | 49.8 | 57.8 | 25 | °C/W |
| $R_{\theta JC(bot)}$ Junction-to-case (bottom) thermal resistance | — | — | — | — | — | — | 11.7 | °C/W |

(1) For more information about traditional and new thermal metrics, see the [Semiconductor and IC Package Thermal Metrics](#) application report.

6.5 Electrical Characteristics

over operating free-air temperature range (unless otherwise noted)

| PARAMETER | TEST CONDITIONS | MIN | TYP | MAX | UNIT | |
|--|---|--|--|-----------|---------------|----------|
| r_{on} On-state switch resistance | $I_T = 2 \text{ mA}$, $V_I = V_{CC}$ or GND, $V_{INH} = V_{IL}$ (see Figure 2) | $V_{CC} = 2.3 \text{ V}$ | $T_A = 25^\circ\text{C}$ | 43 | 180 | Ω |
| | | | $T_A = -40 \text{ to } 85^\circ\text{C}$ | | 225 | |
| | | $V_{CC} = 3 \text{ V}$ | $T_A = 25^\circ\text{C}$ | 34 | 150 | |
| | | | $T_A = -40 \text{ to } 85^\circ\text{C}$ | | 190 | |
| | | $V_{CC} = 4.5 \text{ V}$ | $T_A = 25^\circ\text{C}$ | 25 | 75 | |
| | | | $T_A = -40 \text{ to } 85^\circ\text{C}$ | | 100 | |
| $r_{on(p)}$ Peak on-state resistance | $I_T = 2 \text{ mA}$, $V_I = V_{CC}$ to GND, $V_{INH} = V_{IL}$ | $V_{CC} = 2.3 \text{ V}$ | $T_A = 25^\circ\text{C}$ | 133 | 500 | Ω |
| | | | $T_A = -40 \text{ to } 85^\circ\text{C}$ | | 600 | |
| | | $V_{CC} = 3 \text{ V}$ | $T_A = 25^\circ\text{C}$ | 63 | 180 | |
| | | | $T_A = -40 \text{ to } 85^\circ\text{C}$ | | 225 | |
| | | $V_{CC} = 4.5 \text{ V}$ | $T_A = 25^\circ\text{C}$ | 35 | 100 | |
| | | | $T_A = -40 \text{ to } 85^\circ\text{C}$ | | 125 | |
| Δr_{on} Difference in on-state resistance between switches | $I_T = 2 \text{ mA}$, $V_I = V_{CC}$ to GND, $V_{INH} = V_{IL}$ | $V_{CC} = 2.3 \text{ V}$ | $T_A = 25^\circ\text{C}$ | 1.5 | 30 | Ω |
| | | | $T_A = -40 \text{ to } 85^\circ\text{C}$ | | 40 | |
| | | $V_{CC} = 3 \text{ V}$ | $T_A = 25^\circ\text{C}$ | 1.1 | 20 | |
| | | | $T_A = -40 \text{ to } 85^\circ\text{C}$ | | 30 | |
| | | $V_{CC} = 4.5 \text{ V}$ | $T_A = 25^\circ\text{C}$ | 0.7 | 15 | |
| | | | $T_A = -40 \text{ to } 85^\circ\text{C}$ | | 20 | |
| I_I Control input current | $V_I = 5.5 \text{ V}$ or GND, and $V_{CC} = 0$ to 5.5 V | $T_A = 25^\circ\text{C}$ | | ± 0.1 | μA | |
| | | $T_A = -40 \text{ to } 85^\circ\text{C}$ | | ± 1 | | |
| $I_{S(off)}$ OFF-state switch leakage current | $V_I = V_{CC}$ and $V_O = \text{GND}$, or $V_I = \text{GND}$ and $V_O = V_{CC}$, $V_{INH} = V_{IH}$, and $V_{CC} = 5.5 \text{ V}$ (see Figure 3) | $T_A = 25^\circ\text{C}$ | | ± 0.1 | μA | |
| | | $T_A = -40 \text{ to } 85^\circ\text{C}$ | | ± 1 | | |
| $I_{S(on)}$ ON-state switch leakage current | $V_I = V_{CC}$ or GND, $V_{INH} = V_{IL}$, and $V_{CC} = 5.5 \text{ V}$ (see Figure 4) | $T_A = 25^\circ\text{C}$ | | ± 0.1 | μA | |
| | | $T_A = -40 \text{ to } 85^\circ\text{C}$ | | ± 1 | | |
| I_{CC} Supply current | $V_I = V_{CC}$ or GND, $V_{CC} = 5.5 \text{ V}$, and $T_A = -40 \text{ to } 85^\circ\text{C}$ | | | 20 | μA | |
| C_{IC} Control input capacitance | $f = 10 \text{ MHz}$, $V_{CC} = 3.3 \text{ V}$, and $T_A = 25^\circ\text{C}$ | | 2.1 | | pF | |
| C_{IS} Common terminal capacitance | $V_{CC} = 3.3 \text{ V}$ and $T_A = 25^\circ\text{C}$ | | 13.1 | | pF | |
| C_{OS} Switch terminal capacitance | $V_{CC} = 3.3 \text{ V}$ and $T_A = 25^\circ\text{C}$ | | 5.6 | | pF | |
| C_F Feedthrough capacitance | $V_{CC} = 3.3 \text{ V}$ and $T_A = 25^\circ\text{C}$ | | 0.5 | | pF | |

6.6 Switching Characteristics: $V_{CC} = 2.5 V \pm 0.2 V$

 over recommended operating free-air temperature range and $V_{CC} = 2.5 V \pm 0.2 V$ (unless otherwise noted)

| PARAMETER | | FROM (INPUT) | TO (OUTPUT) | TEST CONDITIONS | | MIN | TYP | MAX | UNIT |
|------------------------|------------------------|--------------|-------------|---|--|-----|------|-----|------|
| t_{PLH} t_{PHL} | Propagation delay time | COM or Y | Y or COM | $C_L = 15 \text{ pF}$ (see Figure 5) | $T_A = 25^\circ\text{C}$ | | 1.9 | 10 | ns |
| | | | | | $T_A = -40 \text{ to } 85^\circ\text{C}$ | | | 16 | |
| t_{PZH} t_{PZL} | Enable delay time | INH | COM or Y | $C_L = 15 \text{ pF}$ (see Figure 6) | $T_A = 25^\circ\text{C}$ | | 8 | 18 | ns |
| | | | | | $T_A = -40 \text{ to } 85^\circ\text{C}$ | | | 23 | |
| t_{PHZ} t_{PLZ} | Disable delay time | INH | COM or Y | $C_L = 15 \text{ pF}$ (see Figure 6) | $T_A = 25^\circ\text{C}$ | | 8.3 | 18 | ns |
| | | | | | $T_A = -40 \text{ to } 85^\circ\text{C}$ | | | 23 | |
| t_{PLH} t_{PHL} | Propagation delay time | COM or Y | Y or COM | $C_L = 50 \text{ pF}$ (see Figure 5) | $T_A = 25^\circ\text{C}$ | | 3.8 | 12 | ns |
| | | | | | $T_A = -40 \text{ to } 85^\circ\text{C}$ | | | 18 | |
| t_{PZH} t_{PZL} | Enable delay time | INH | COM or Y | $C_L = 50 \text{ pF}$ (see Figure 6) | $T_A = 25^\circ\text{C}$ | | 9.4 | 28 | ns |
| | | | | | $T_A = -40 \text{ to } 85^\circ\text{C}$ | | | 35 | |
| t_{PHZ} t_{PLZ} | Disable delay time | INH | COM or Y | $C_L = 50 \text{ pF}$ (see Figure 6) | $T_A = 25^\circ\text{C}$ | | 12.4 | 28 | ns |
| | | | | | $T_A = -40 \text{ to } 85^\circ\text{C}$ | | | 35 | |

6.7 Switching Characteristics: $V_{CC} = 3.3 V \pm 0.3 V$

 over recommended operating free-air temperature range and $V_{CC} = 3.3 V \pm 0.3 V$ (unless otherwise noted)

| PARAMETER | | FROM (INPUT) | TO (OUTPUT) | TEST CONDITIONS | | MIN | TYP | MAX | UNIT |
|------------------------|------------------------|--------------|-------------|---|--|-----|-----|-----|------|
| t_{PLH} t_{PHL} | Propagation delay time | COM or Y | Y or COM | $C_L = 15 \text{ pF}$ (see Figure 5) | $T_A = 25^\circ\text{C}$ | | 1.2 | 6 | ns |
| | | | | | $T_A = -40 \text{ to } 85^\circ\text{C}$ | | | 10 | |
| t_{PZH} t_{PZL} | Enable delay time | INH | COM or Y | $C_L = 15 \text{ pF}$ (see Figure 6) | $T_A = 25^\circ\text{C}$ | | 5.7 | 12 | ns |
| | | | | | $T_A = -40 \text{ to } 85^\circ\text{C}$ | | | 15 | |
| t_{PHZ} t_{PLZ} | Disable delay time | INH | COM or Y | $C_L = 15 \text{ pF}$ (see Figure 6) | $T_A = 25^\circ\text{C}$ | | 6.6 | 12 | ns |
| | | | | | $T_A = -40 \text{ to } 85^\circ\text{C}$ | | | 15 | |
| t_{PLH} t_{PHL} | Propagation delay time | COM or Y | Y or COM | $C_L = 50 \text{ pF}$ (see Figure 5) | $T_A = 25^\circ\text{C}$ | | 2.5 | 9 | ns |
| | | | | | $T_A = -40 \text{ to } 85^\circ\text{C}$ | | | 12 | |
| t_{PZH} t_{PZL} | Enable delay time | INH | COM or Y | $C_L = 50 \text{ pF}$ (see Figure 6) | $T_A = 25^\circ\text{C}$ | | 6.7 | 20 | ns |
| | | | | | $T_A = -40 \text{ to } 85^\circ\text{C}$ | | | 25 | |
| t_{PHZ} t_{PLZ} | Disable delay time | INH | COM or Y | $C_L = 50 \text{ pF}$ (see Figure 6) | $T_A = 25^\circ\text{C}$ | | 9.5 | 20 | ns |
| | | | | | $T_A = -40 \text{ to } 85^\circ\text{C}$ | | | 25 | |

6.8 Switching Characteristics: $V_{CC} = 5 V \pm 0.5 V$

 over recommended operating free-air temperature range and $V_{CC} = 5 V \pm 0.5 V$ (unless otherwise noted)

| PARAMETER | | FROM (INPUT) | TO (OUTPUT) | TEST CONDITIONS | | MIN | TYP | MAX | UNIT |
|------------------------|------------------------|--------------|-------------|---|--|-----|-----|-----|------|
| t_{PLH} t_{PHL} | Propagation delay time | COM or Y | Y or COM | $C_L = 15 \text{ pF}$ (see Figure 5) | $T_A = 25^\circ\text{C}$ | | 0.7 | 4 | ns |
| | | | | | $T_A = -40 \text{ to } 85^\circ\text{C}$ | | | 7 | |
| t_{PZH} t_{PZL} | Enable delay time | INH | COM or Y | $C_L = 15 \text{ pF}$ (see Figure 6) | $T_A = 25^\circ\text{C}$ | | 4 | 8 | ns |
| | | | | | $T_A = -40 \text{ to } 85^\circ\text{C}$ | | | 10 | |
| t_{PHZ} t_{PLZ} | Disable delay time | INH | COM or Y | $C_L = 15 \text{ pF}$ (see Figure 6) | $T_A = 25^\circ\text{C}$ | | 5 | 8 | ns |
| | | | | | $T_A = -40 \text{ to } 85^\circ\text{C}$ | | | 10 | |
| t_{PLH} t_{PHL} | Propagation delay time | COM or Y | Y or COM | $C_L = 50 \text{ pF}$ (see Figure 5) | $T_A = 25^\circ\text{C}$ | | 1.5 | 6 | ns |
| | | | | | $T_A = -40 \text{ to } 85^\circ\text{C}$ | | | 8 | |
| t_{PZH} t_{PZL} | Enable delay time | INH | COM or Y | $C_L = 50 \text{ pF}$ (see Figure 6) | $T_A = 25^\circ\text{C}$ | | 4.7 | 14 | ns |
| | | | | | $T_A = -40 \text{ to } 85^\circ\text{C}$ | | | 18 | |

Switching Characteristics: $V_{CC} = 5 V \pm 0.5 V$ (continued)

over recommended operating free-air temperature range and $V_{CC} = 5 V \pm 0.5 V$ (unless otherwise noted)

| PARAMETER | | FROM (INPUT) | TO (OUTPUT) | TEST CONDITIONS | | MIN | TYP | MAX | UNIT |
|------------------------|--------------------|--------------|-------------|---|--|-----|-----|-----|------|
| t_{PHZ} t_{PLZ} | Disable delay time | INH | COM or Y | $C_L = 50 \text{ pF}$ (see Figure 6) | $T_A = 25^\circ\text{C}$ | | 6.9 | 14 | ns |
| | | | | | $T_A = -40 \text{ to } 85^\circ\text{C}$ | | | 18 | |

6.9 Switching Characteristics: Analog

over recommended operating free-air temperature range (unless otherwise noted)

| PARAMETER | FROM (INPUT) | TO (OUTPUT) | TEST CONDITIONS | | MIN | TYP | MAX | UNIT |
|--|--------------|-------------|--|--|-----|------|-----|------|
| Frequency response (switch on) | COM or Y | Y or COM | $C_L = 50 \text{ pF}$, $R_L = 600 \Omega$, $f_{in} = 1 \text{ MHz}$ (sine wave) (see Figure 7) ⁽¹⁾ | $V_{CC} = 2.3 \text{ V}$ | | 30 | | MHz |
| | | | | $V_{CC} = 3 \text{ V}$ | | 35 | | |
| | | | | $V_{CC} = 4.5 \text{ V}$ | | 50 | | |
| Crosstalk (between any switches) | COM or Y | Y or COM | $C_L = 50 \text{ pF}$, $R_L = 600 \Omega$, $f_{in} = 1 \text{ MHz}$ (sine wave) (see Figure 8) ⁽²⁾ | $V_{CC} = 2.3 \text{ V}$ | | -45 | | dB |
| | | | | $V_{CC} = 3 \text{ V}$ | | -45 | | |
| | | | | $V_{CC} = 4.5 \text{ V}$ | | -45 | | |
| Crosstalk (control input to signal output) | INH | COM or Y | $C_L = 50 \text{ pF}$, $R_L = 600 \Omega$, $f_{in} = 1 \text{ MHz}$ (sine wave) (see Figure 9) | $V_{CC} = 2.3 \text{ V}$ | | 20 | | mV |
| | | | | $V_{CC} = 3 \text{ V}$ | | 35 | | |
| | | | | $V_{CC} = 4.5 \text{ V}$ | | 65 | | |
| Feedthrough attenuation (switch off) | COM or Y | Y or COM | $C_L = 50 \text{ pF}$, $R_L = 600 \Omega$, $f_{in} = 1 \text{ MHz}$ (sine wave) (see Figure 10) ⁽²⁾ | $V_{CC} = 2.3 \text{ V}$ | | -45 | | dB |
| | | | | $V_{CC} = 3 \text{ V}$ | | -45 | | |
| | | | | $V_{CC} = 4.5 \text{ V}$ | | -45 | | |
| Sine-wave distortion | COM or Y | Y or COM | $C_L = 50 \text{ pF}$, $R_L = 10 \text{ k}\Omega$, $f_{in} = 1 \text{ kHz}$ (sine wave) (see Figure 11) | $V_I = 2 V_{p-p}$ and $V_{CC} = 2.3 \text{ V}$ | | 0.1% | | |
| | | | | $V_I = 2.5 V_{p-p}$ and $V_{CC} = 3 \text{ V}$ | | 0.1% | | |
| | | | | $V_I = 4 V_{p-p}$ and $V_{CC} = 4.5 \text{ V}$ | | 0.1% | | |

- (1) Adjust f_{in} voltage to obtain 0 dBm at output. Increase f_{in} frequency until dB meter reads -3 dB.
- (2) Adjust f_{in} voltage to obtain 0 dBm at input.

6.10 Operating Characteristics

$T_A = 25^\circ\text{C}$

| PARAMETER | TEST CONDITIONS | TYP | UNIT |
|--|--|------|------|
| C_{pd} Power dissipation capacitance | $C_L = 50 \text{ pF}$ and $f = 10 \text{ MHz}$ | 11.8 | pF |

6.11 Typical Characteristics

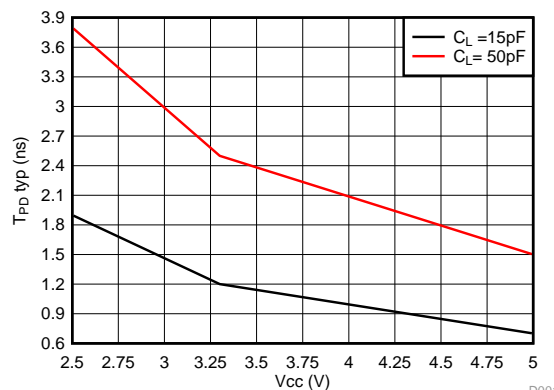


Figure 1. Typical Propagation Delay vs V_{CC}

7 Parameter Measurement Information

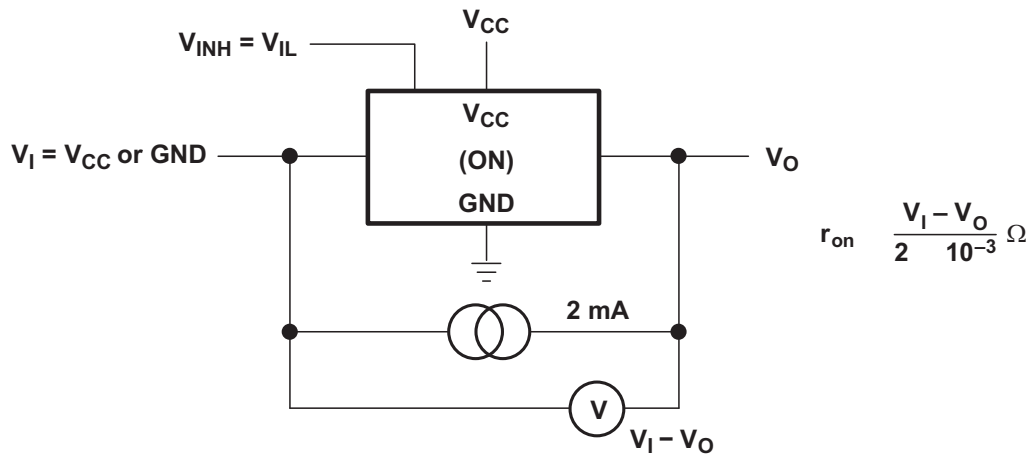
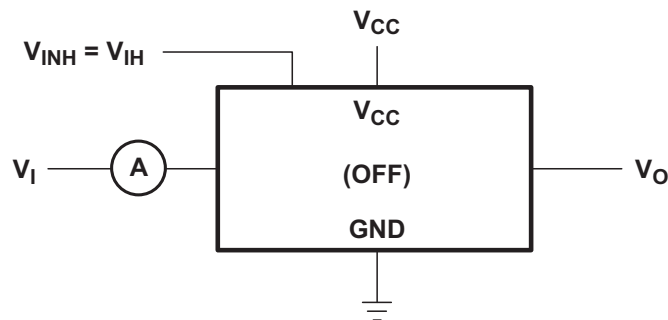


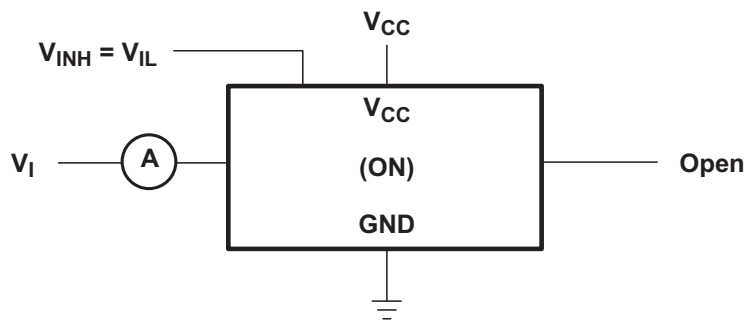
Figure 2. ON-State Resistance Test Circuit



Condition 1: $V_I = 0, V_O = V_{CC}$

Condition 2: $V_I = V_{CC}, V_O = 0$

Figure 3. OFF-State Switch Leakage-Current Test Circuit



$V_I = V_{CC}$ or GND

Figure 4. ON-State Switch Leakage-Current Test Circuit

Parameter Measurement Information (continued)

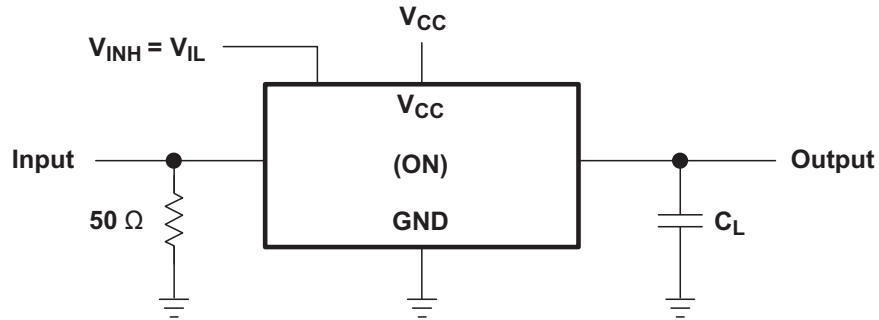


Figure 5. Propagation Delay Time, Signal Input to Signal Output

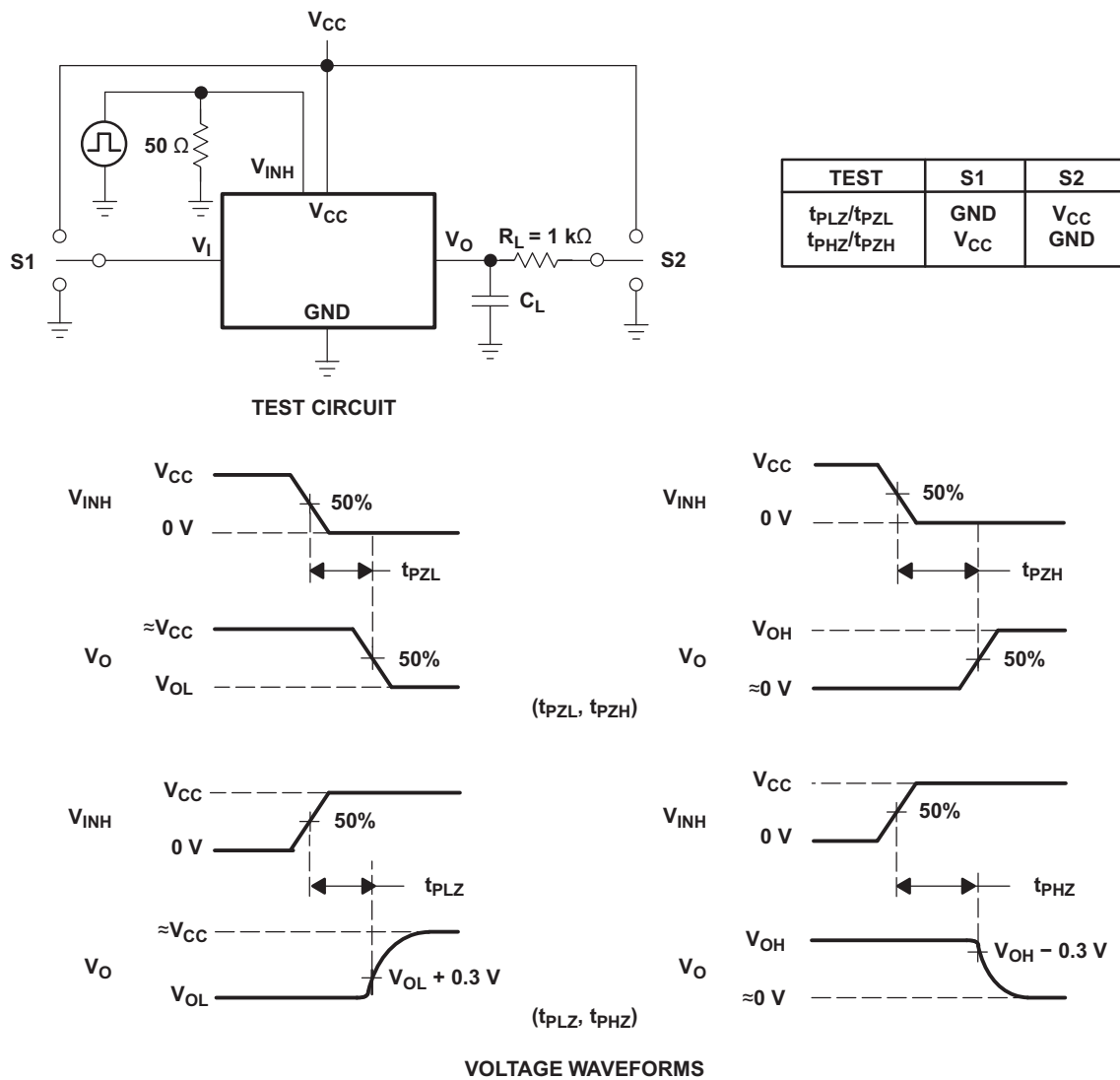


Figure 6. Switching Time (t_{PZL} , t_{PLZ} , t_{PZH} , t_{PHZ}), Control to Signal Output

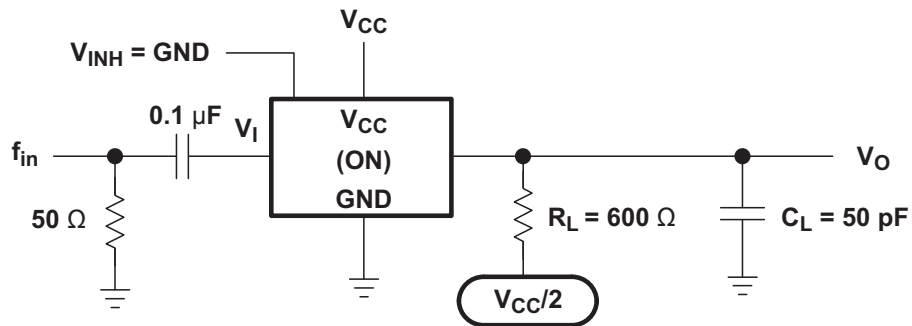
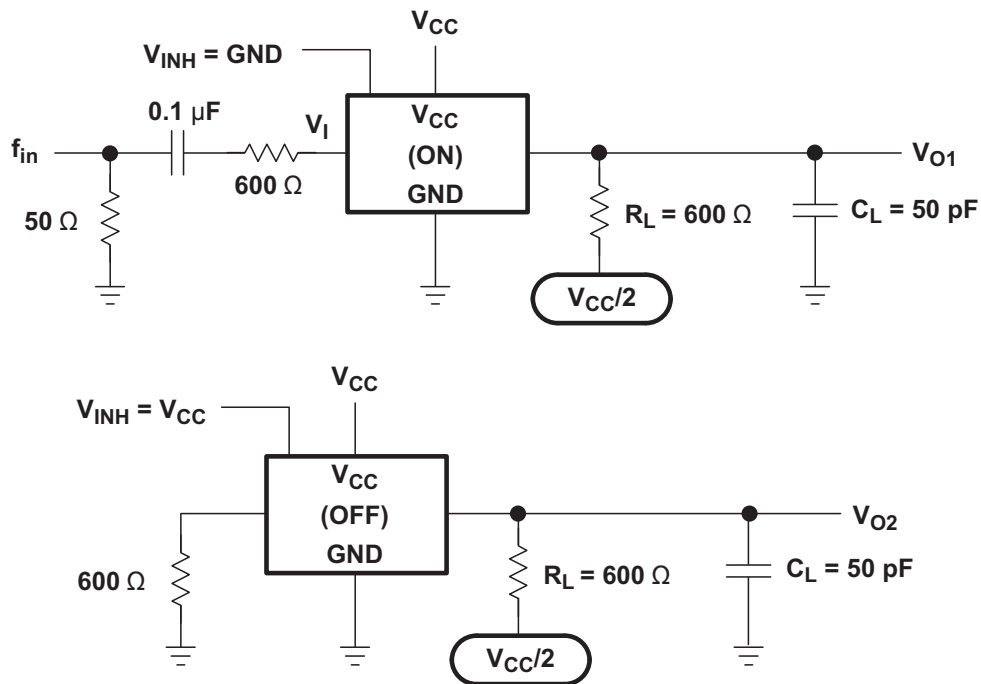
Parameter Measurement Information (continued)

 NOTE A: f_{in} is a sine wave.

Figure 7. Frequency Response (Switch ON)

Figure 8. Crosstalk Between Any Two Switches

Parameter Measurement Information (continued)

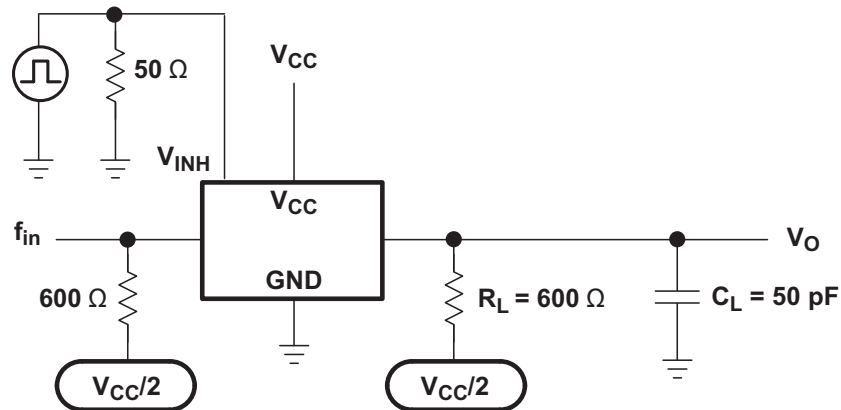


Figure 9. Crosstalk Between Control Input and Switch Output

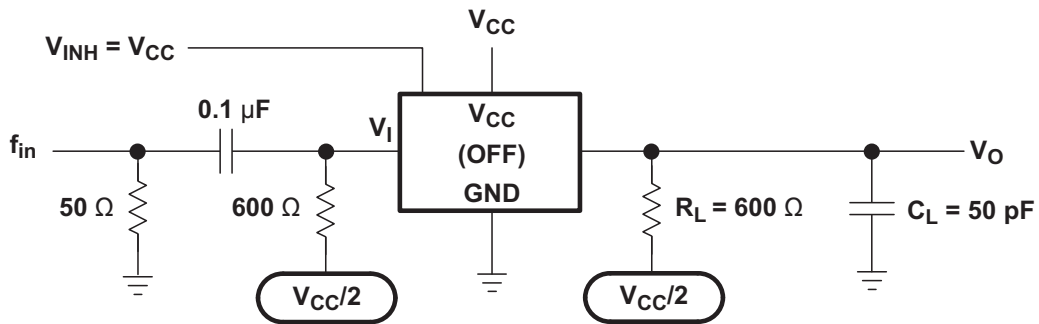


Figure 10. Feedthrough Attenuation (Switch OFF)

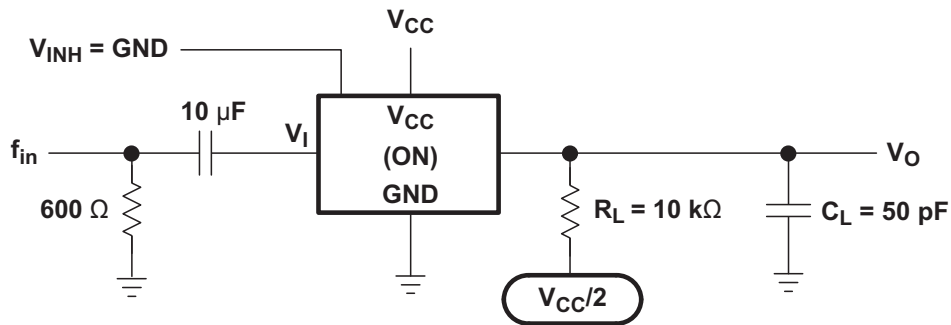


Figure 11. Sine-Wave Distortion

8 Detailed Description

8.1 Overview

The SN74LV4052A device is a dual, 4-channel CMOS analog multiplexer and demultiplexer that is designed for 2-V to 5.5-V V_{CC} operation. It has low input current consumption at the digital input pins and low crosstalk between switches. The active low Inhibit (INH) tri-state all the channels when high and when low, depending on the A and B inputs, one of the four independent input/outputs (nY0 - nY3) connects to the COM channel. The SN74LV4052A is available in multiple package options including TSSOP (PW) and QFN (RGY).

8.2 Functional Block Diagram

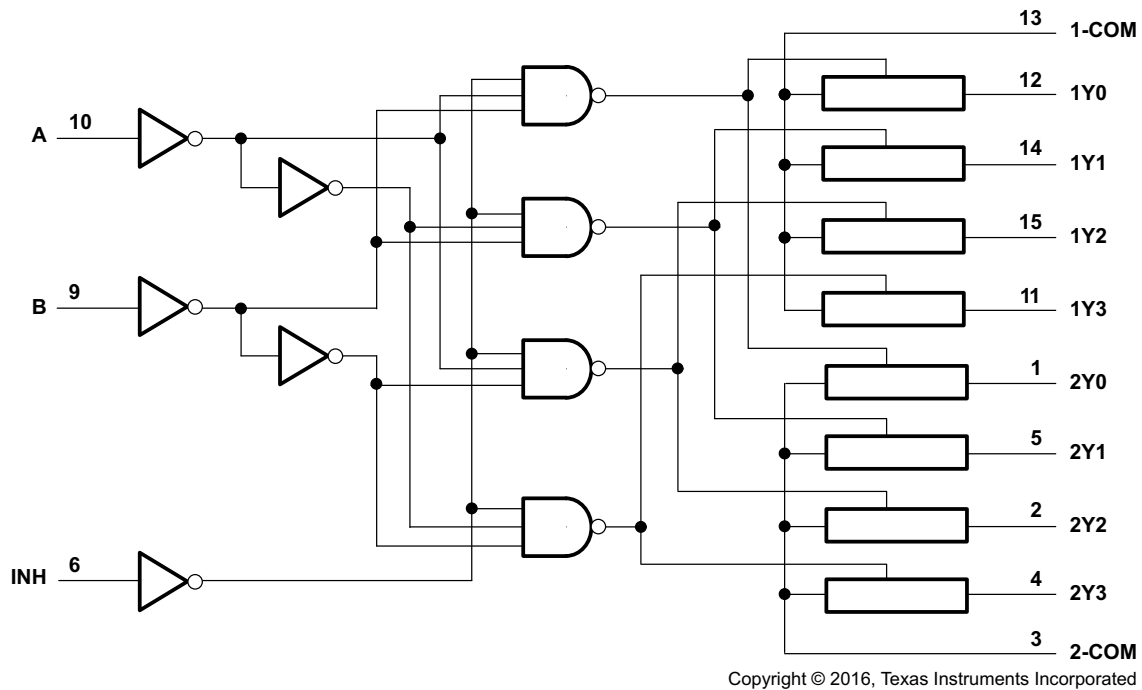


Figure 12. Logic Diagram (Positive Logic)

8.3 Feature Description

- The SN74LV4052A operates from 2-V to 5.5-V V_{CC} with extremely low input current consumption at the CMOS input pins of A, B and INH.
- The SN74LV4052A enables fast switching with low crosstalk between the switches. 5.5 V peak level bidirectional transmission allowed with the either analog or digital signals.

8.4 Device Functional Modes

Table 1 lists the functional modes of SN74LV4052A.

Table 1. Function Table

| INPUTS | | | ON CHANNELS |
|--------|---|---|-------------|
| INH | B | A | |
| L | L | L | 1Y0, 2Y0 |
| L | L | H | 1Y1, 2Y1 |
| L | H | L | 1Y2, 2Y2 |
| L | H | H | 1Y3, 2Y3 |
| H | X | X | None |

9 Application and Implementation

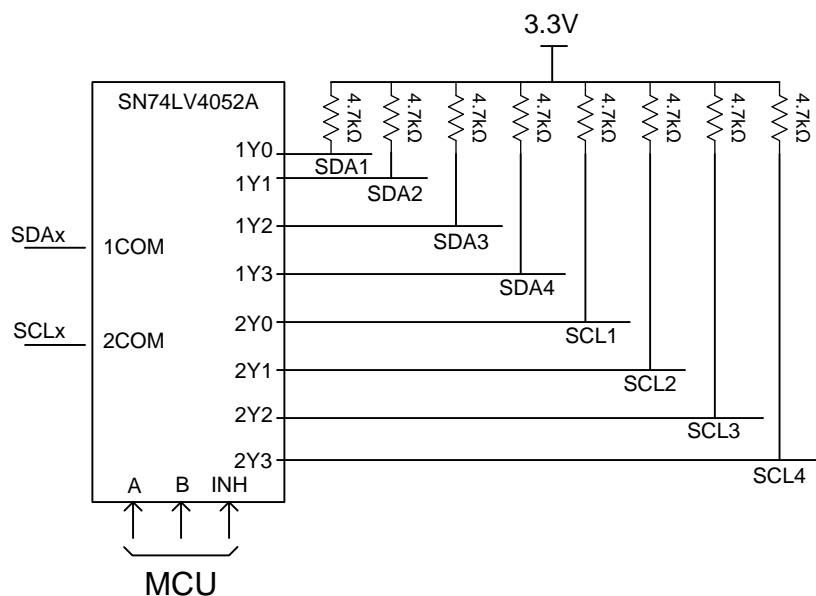
NOTE

Information in the following applications sections is not part of the TI component specification, and TI does not warrant its accuracy or completeness. TI's customers are responsible for determining suitability of components for their purposes. Customers should validate and test their design implementation to confirm system functionality.

9.1 Application Information

Typical applications for the SN74LV4052A include signal gating, chopping, modulation or demodulation (modem), and signal multiplexing for analog-to-digital and digital-to-analog conversion systems.

9.2 Typical Application



Copyright © 2016, Texas Instruments Incorporated

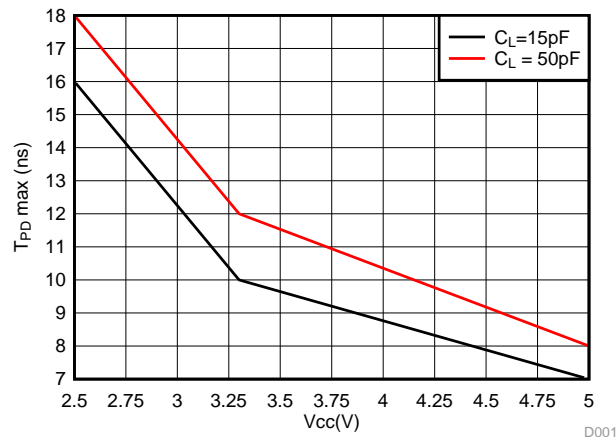
Figure 13. Typical I²C Multiplexing Application

9.2.1 Design Requirements

Designing with the SN74LV4052A device requires a stable input voltage between 2 V and 5.5 V (see [Recommended Operating Conditions](#) for details). Another important design consideration are the characteristics of the signal being multiplexed which ensures no important information is lost due to timing or incompatibility with this device.

9.2.2 Detailed Design Procedure

The SN74LV4052A dual 1- to 4-channel multiplexer is ideal for I²C selection. The I²C data and clock lines are selected using A,B select lines from the MCU. The pullup resistors are selected based on the capability of the driver. Low pullup resistor results in faster rise time; however, it generates additional current during the low state into the driver. See to the [Recommended Operating Conditions](#) of the datasheet for the input transition rates (V_{IH} and V_{IL}) of the CMOS inputs.

Typical Application (continued)
9.2.3 Application Curve

Figure 14. Maximum Propagation Delay vs V_{cc}

10 Power Supply Recommendations

Most systems have a common 3.3-V or 5-V rail that can supply the V_{CC} pin of this device. If this rail is not available, a switched-mode power supply (SMPS) or a low dropout regulator (LDO) can supply this device from a higher-voltage rail.

See the [Recommended Operating Conditions](#) for operating voltage range for this device. Having bypass capacitors of 0.1 μF is highly recommended.

11 Layout

11.1 Layout Guidelines

TI recommends keeping the signal lines as short and as straight as possible (see [Figure 15](#)). Incorporation of microstrip or stripline techniques are also recommended when signal lines are more than 1 in. long. These traces must be designed with a characteristic impedance of either 50- Ω or 75- Ω as required by the application. Do not place this device too close to high-voltage switching components because they may cause interference. Not all PCB traces can be straight and therefore some traces must turn corners. [Figure 16](#) shows progressively better techniques of rounding corners. Only the last example (BEST) maintains constant trace width and minimizes reflections.

11.2 Layout Example

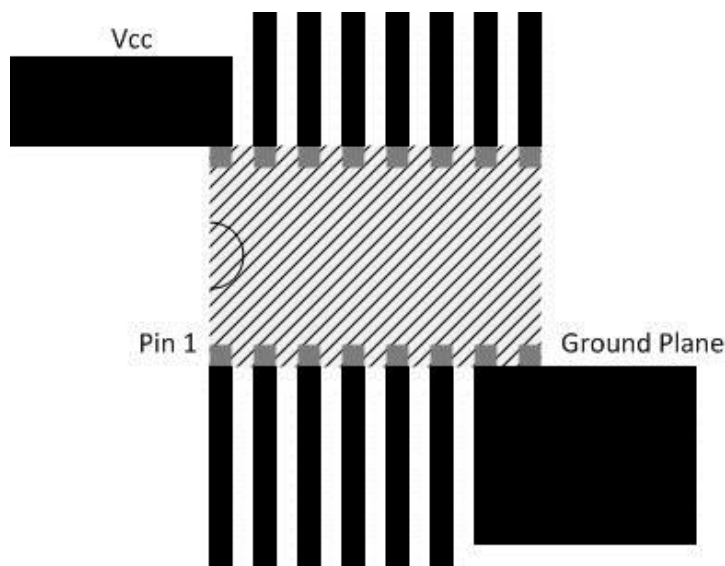


Figure 15. Layout Schematic

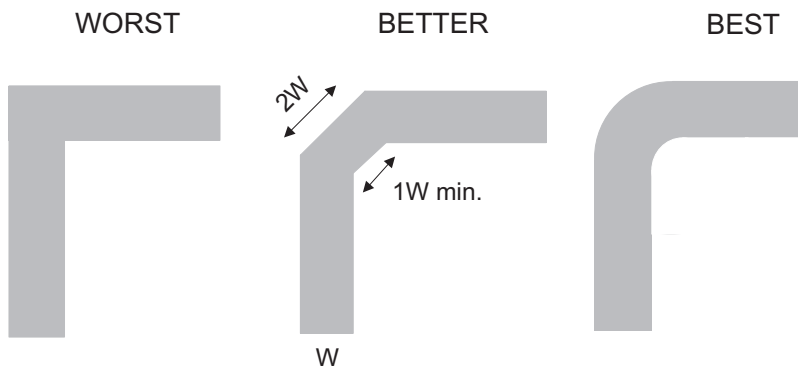


Figure 16. Trace Example

12 Device and Documentation Support

12.1 Documentation Support

12.1.1 Related Documentation

For related documentation, see the following:

[Implications of Slow or Floating CMOS Inputs](#) (SCBA004)

12.2 Receiving Notification of Documentation Updates

To receive notification of documentation updates, navigate to the device product folder on ti.com. In the upper right corner, click on *Alert me* to register and receive a weekly digest of any product information that has changed. For change details, review the revision history included in any revised document.

12.3 Community Resource

The following links connect to TI community resources. Linked contents are provided "AS IS" by the respective contributors. They do not constitute TI specifications and do not necessarily reflect TI's views; see TI's [Terms of Use](#).

TI E2E™ Online Community *TI's Engineer-to-Engineer (E2E) Community*. Created to foster collaboration among engineers. At e2e.ti.com, you can ask questions, share knowledge, explore ideas and help solve problems with fellow engineers.

Design Support *TI's Design Support* Quickly find helpful E2E forums along with design support tools and contact information for technical support.

12.4 Trademarks

E2E is a trademark of Texas Instruments.
All other trademarks are the property of their respective owners.

12.5 Electrostatic Discharge Caution



These devices have limited built-in ESD protection. The leads should be shorted together or the device placed in conductive foam during storage or handling to prevent electrostatic damage to the MOS gates.

12.6 Glossary

[SLYZ022](#) — *TI Glossary*.

This glossary lists and explains terms, acronyms, and definitions.

13 Mechanical, Packaging, and Orderable Information

The following pages include mechanical, packaging, and orderable information. This information is the most current data available for the designated devices. This data is subject to change without notice and revision of this document. For browser-based versions of this data sheet, refer to the left-hand navigation.

PACKAGING INFORMATION

| Orderable Device | Status (1) | Package Type | Package Drawing | Pins | Package Qty | Eco Plan (2) | Lead finish/ Ball material (6) | MSL Peak Temp (3) | Op Temp (°C) | Device Marking (4/5) | Samples |
|------------------|---------------|--------------|-----------------|------|-------------|-----------------|--------------------------------------|----------------------|--------------|-------------------------|---------|
| SN74LV4052AD | LIFEBUY | SOIC | D | 16 | 40 | RoHS & Green | NIPDAU | Level-1-260C-UNLIM | -40 to 85 | LV4052A | |
| SN74LV4052ADBR | NRND | SSOP | DB | 16 | 2000 | RoHS & Green | NIPDAU | Level-1-260C-UNLIM | -40 to 85 | LW052A | |
| SN74LV4052ADBRE4 | NRND | SSOP | DB | 16 | 2000 | RoHS & Green | NIPDAU | Level-1-260C-UNLIM | -40 to 85 | LW052A | |
| SN74LV4052ADGVR | NRND | TVSOP | DGV | 16 | 2000 | RoHS & Green | NIPDAU | Level-1-260C-UNLIM | -40 to 85 | LW052A | |
| SN74LV4052ADR | ACTIVE | SOIC | D | 16 | 2500 | RoHS & Green | NIPDAU SN | Level-1-260C-UNLIM | -40 to 85 | LV4052A | Samples |
| SN74LV4052AN | NRND | PDIP | N | 16 | 25 | RoHS & Green | NIPDAU | N / A for Pkg Type | -40 to 85 | SN74LV4052AN | |
| SN74LV4052ANSR | NRND | SO | NS | 16 | 2000 | RoHS & Green | NIPDAU | Level-1-260C-UNLIM | -40 to 85 | 74LV4052A | |
| SN74LV4052APW | LIFEBUY | TSSOP | PW | 16 | 90 | RoHS & Green | NIPDAU | Level-1-260C-UNLIM | -40 to 85 | LW052A | |
| SN74LV4052APWE4 | LIFEBUY | TSSOP | PW | 16 | 90 | RoHS & Green | NIPDAU | Level-1-260C-UNLIM | -40 to 85 | LW052A | |
| SN74LV4052APWG4 | LIFEBUY | TSSOP | PW | 16 | 90 | RoHS & Green | NIPDAU | Level-1-260C-UNLIM | -40 to 85 | LW052A | |
| SN74LV4052APWR | ACTIVE | TSSOP | PW | 16 | 2000 | RoHS & Green | NIPDAU SN | Level-1-260C-UNLIM | -40 to 85 | LW052A | Samples |
| SN74LV4052APWRE4 | LIFEBUY | TSSOP | PW | 16 | 2000 | RoHS & Green | NIPDAU | Level-1-260C-UNLIM | -40 to 85 | LW052A | |
| SN74LV4052APWRG4 | LIFEBUY | TSSOP | PW | 16 | 2000 | RoHS & Green | NIPDAU | Level-1-260C-UNLIM | -40 to 85 | LW052A | |
| SN74LV4052APWT | LIFEBUY | TSSOP | PW | 16 | 250 | RoHS & Green | NIPDAU | Level-1-260C-UNLIM | -40 to 85 | LW052A | |
| SN74LV4052ARGYR | ACTIVE | VQFN | RGY | 16 | 3000 | RoHS & Green | NIPDAU | Level-2-260C-1 YEAR | -40 to 85 | LW052A | Samples |

(1) The marketing status values are defined as follows:

ACTIVE: Product device recommended for new designs.

LIFEBUY: TI has announced that the device will be discontinued, and a lifetime-buy period is in effect.

NRND: Not recommended for new designs. Device is in production to support existing customers, but TI does not recommend using this part in a new design.

PREVIEW: Device has been announced but is not in production. Samples may or may not be available.

OBSELETE: TI has discontinued the production of the device.

(2) **RoHS:** TI defines "RoHS" to mean semiconductor products that are compliant with the current EU RoHS requirements for all 10 RoHS substances, including the requirement that RoHS substance do not exceed 0.1% by weight in homogeneous materials. Where designed to be soldered at high temperatures, "RoHS" products are suitable for use in specified lead-free processes. TI may reference these types of products as "Pb-Free".

RoHS Exempt: TI defines "RoHS Exempt" to mean products that contain lead but are compliant with EU RoHS pursuant to a specific EU RoHS exemption.

Green: TI defines "Green" to mean the content of Chlorine (Cl) and Bromine (Br) based flame retardants meet JS709B low halogen requirements of <=1000ppm threshold. Antimony trioxide based flame retardants must also meet the <=1000ppm threshold requirement.

(3) MSL, Peak Temp. - The Moisture Sensitivity Level rating according to the JEDEC industry standard classifications, and peak solder temperature.

(4) There may be additional marking, which relates to the logo, the lot trace code information, or the environmental category on the device.

(5) Multiple Device Markings will be inside parentheses. Only one Device Marking contained in parentheses and separated by a "~" will appear on a device. If a line is indented then it is a continuation of the previous line and the two combined represent the entire Device Marking for that device.

(6) Lead finish/Ball material - Orderable Devices may have multiple material finish options. Finish options are separated by a vertical ruled line. Lead finish/Ball material values may wrap to two lines if the finish value exceeds the maximum column width.

Important Information and Disclaimer:The information provided on this page represents TI's knowledge and belief as of the date that it is provided. TI bases its knowledge and belief on information provided by third parties, and makes no representation or warranty as to the accuracy of such information. Efforts are underway to better integrate information from third parties. TI has taken and continues to take reasonable steps to provide representative and accurate information but may not have conducted destructive testing or chemical analysis on incoming materials and chemicals. TI and TI suppliers consider certain information to be proprietary, and thus CAS numbers and other limited information may not be available for release.

In no event shall TI's liability arising out of such information exceed the total purchase price of the TI part(s) at issue in this document sold by TI to Customer on an annual basis.

OTHER QUALIFIED VERSIONS OF SN74LV4052A :

- Automotive : [SN74LV4052A-Q1](#)
- Enhanced Product : [SN74LV4052A-EP](#)

NOTE: Qualified Version Definitions:

- Automotive - Q100 devices qualified for high-reliability automotive applications targeting zero defects
- Enhanced Product - Supports Defense, Aerospace and Medical Applications

TAPE AND REEL INFORMATION

QUADRANT ASSIGNMENTS FOR PIN 1 ORIENTATION IN TAPE


*All dimensions are nominal

| Device | Package Type | Package Drawing | Pins | SPQ | Reel Diameter (mm) | Reel Width W1 (mm) | A0 (mm) | B0 (mm) | K0 (mm) | P1 (mm) | W (mm) | Pin1 Quadrant |
|------------------|--------------|-----------------|------|------|--------------------|--------------------|---------|---------|---------|---------|--------|---------------|
| SN74LV4052ADBR | SSOP | DB | 16 | 2000 | 330.0 | 16.4 | 8.35 | 6.6 | 2.4 | 12.0 | 16.0 | Q1 |
| SN74LV4052ADGVR | TVSOP | DGV | 16 | 2000 | 330.0 | 12.4 | 6.8 | 4.0 | 1.6 | 8.0 | 12.0 | Q1 |
| SN74LV4052ADR | SOIC | D | 16 | 2500 | 330.0 | 16.4 | 6.5 | 10.3 | 2.1 | 8.0 | 16.0 | Q1 |
| SN74LV4052ANSR | SO | NS | 16 | 2000 | 330.0 | 16.4 | 8.2 | 10.5 | 2.5 | 12.0 | 16.0 | Q1 |
| SN74LV4052APWR | TSSOP | PW | 16 | 2000 | 330.0 | 12.4 | 6.9 | 5.6 | 1.6 | 8.0 | 12.0 | Q1 |
| SN74LV4052APWRG4 | TSSOP | PW | 16 | 2000 | 330.0 | 12.4 | 6.9 | 5.6 | 1.6 | 8.0 | 12.0 | Q1 |
| SN74LV4052APWT | TSSOP | PW | 16 | 250 | 330.0 | 12.4 | 6.9 | 5.6 | 1.6 | 8.0 | 12.0 | Q1 |
| SN74LV4052ARGYR | VQFN | RGY | 16 | 3000 | 330.0 | 12.4 | 3.8 | 4.3 | 1.5 | 8.0 | 12.0 | Q1 |

TAPE AND REEL BOX DIMENSIONS


*All dimensions are nominal

| Device | Package Type | Package Drawing | Pins | SPQ | Length (mm) | Width (mm) | Height (mm) |
|------------------|--------------|-----------------|------|------|-------------|------------|-------------|
| SN74LV4052ADBR | SSOP | DB | 16 | 2000 | 356.0 | 356.0 | 35.0 |
| SN74LV4052ADGVR | TVSOP | DGV | 16 | 2000 | 356.0 | 356.0 | 35.0 |
| SN74LV4052ADR | SOIC | D | 16 | 2500 | 340.5 | 336.1 | 32.0 |
| SN74LV4052ANSR | SO | NS | 16 | 2000 | 356.0 | 356.0 | 35.0 |
| SN74LV4052APWR | TSSOP | PW | 16 | 2000 | 356.0 | 356.0 | 35.0 |
| SN74LV4052APWRG4 | TSSOP | PW | 16 | 2000 | 367.0 | 367.0 | 35.0 |
| SN74LV4052APWT | TSSOP | PW | 16 | 250 | 356.0 | 356.0 | 35.0 |
| SN74LV4052ARGYR | VQFN | RGY | 16 | 3000 | 367.0 | 367.0 | 35.0 |

TUBE


*All dimensions are nominal

| Device | Package Name | Package Type | Pins | SPQ | L (mm) | W (mm) | T (μm) | B (mm) |
|-----------------|--------------|--------------|------|-----|--------|--------|--------|--------|
| SN74LV4052AD | D | SOIC | 16 | 40 | 507 | 8 | 3940 | 4.32 |
| SN74LV4052AN | N | PDIP | 16 | 25 | 506 | 13.97 | 11230 | 4.32 |
| SN74LV4052AN | N | PDIP | 16 | 25 | 506 | 13.97 | 11230 | 4.32 |
| SN74LV4052APW | PW | TSSOP | 16 | 90 | 530 | 10.2 | 3600 | 3.5 |
| SN74LV4052APWE4 | PW | TSSOP | 16 | 90 | 530 | 10.2 | 3600 | 3.5 |
| SN74LV4052APWG4 | PW | TSSOP | 16 | 90 | 530 | 10.2 | 3600 | 3.5 |

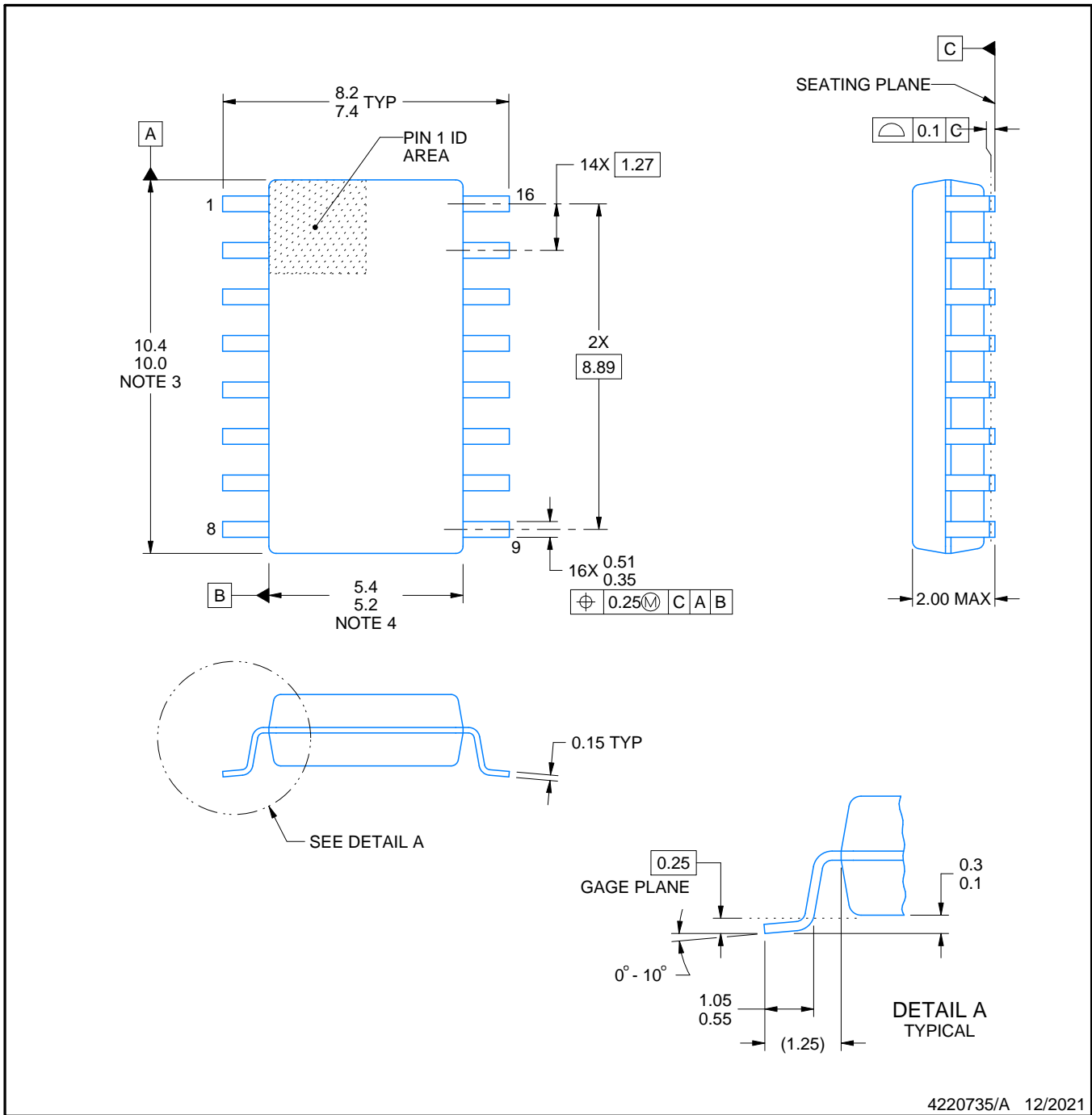


PACKAGE OUTLINE

NS0016A

SOP - 2.00 mm max height

SOP



4220735/A 12/2021

NOTES:

1. All linear dimensions are in millimeters. Dimensions in parenthesis are for reference only. Dimensioning and tolerancing per ASME Y14.5M.
2. This drawing is subject to change without notice.
3. This dimension does not include mold flash, protrusions, or gate burrs. Mold flash, protrusions, or gate burrs shall not exceed 0.15 mm, per side.
4. This dimension does not include interlead flash. Interlead flash shall not exceed 0.25 mm, per side.

EXAMPLE BOARD LAYOUT

NS0016A

SOP - 2.00 mm max height

SOP



4220735/A 12/2021

NOTES: (continued)

5. Publication IPC-7351 may have alternate designs.

6. Solder mask tolerances between and around signal pads can vary based on board fabrication site.

EXAMPLE STENCIL DESIGN

NS0016A

SOP - 2.00 mm max height

SOP



SOLDER PASTE EXAMPLE
BASED ON 0.125 mm THICK STENCIL
SCALE:7X

4220735/A 12/2021

NOTES: (continued)

7. Laser cutting apertures with trapezoidal walls and rounded corners may offer better paste release. IPC-7525 may have alternate design recommendations.
8. Board assembly site may have different recommendations for stencil design.

D (R-PDSO-G16)

PLASTIC SMALL OUTLINE



- NOTES:
- A. All linear dimensions are in inches (millimeters).
 - B. This drawing is subject to change without notice.
 - C. Body length does not include mold flash, protrusions, or gate burrs. Mold flash, protrusions, or gate burrs shall not exceed 0.006 (0,15) each side.
 - D. Body width does not include interlead flash. Interlead flash shall not exceed 0.017 (0,43) each side.
 - E. Reference JEDEC MS-012 variation AC.



4220204/A 02/2017

NOTES:

1. All linear dimensions are in millimeters. Any dimensions in parenthesis are for reference only. Dimensioning and tolerancing per ASME Y14.5M.
2. This drawing is subject to change without notice.
3. This dimension does not include mold flash, protrusions, or gate burrs. Mold flash, protrusions, or gate burrs shall not exceed 0.15 mm per side.
4. This dimension does not include interlead flash. Interlead flash shall not exceed 0.25 mm per side.
5. Reference JEDEC registration MO-153.

EXAMPLE BOARD LAYOUT

PW0016A

TSSOP - 1.2 mm max height

SMALL OUTLINE PACKAGE



LAND PATTERN EXAMPLE
EXPOSED METAL SHOWN
SCALE: 10X



SOLDER MASK DETAILS

4220204/A 02/2017

NOTES: (continued)

- 6. Publication IPC-7351 may have alternate designs.
- 7. Solder mask tolerances between and around signal pads can vary based on board fabrication site.

EXAMPLE STENCIL DESIGN

PW0016A

TSSOP - 1.2 mm max height

SMALL OUTLINE PACKAGE



SOLDER PASTE EXAMPLE
BASED ON 0.125 mm THICK STENCIL
SCALE: 10X

4220204/A 02/2017

NOTES: (continued)

8. Laser cutting apertures with trapezoidal walls and rounded corners may offer better paste release. IPC-7525 may have alternate design recommendations.
9. Board assembly site may have different recommendations for stencil design.

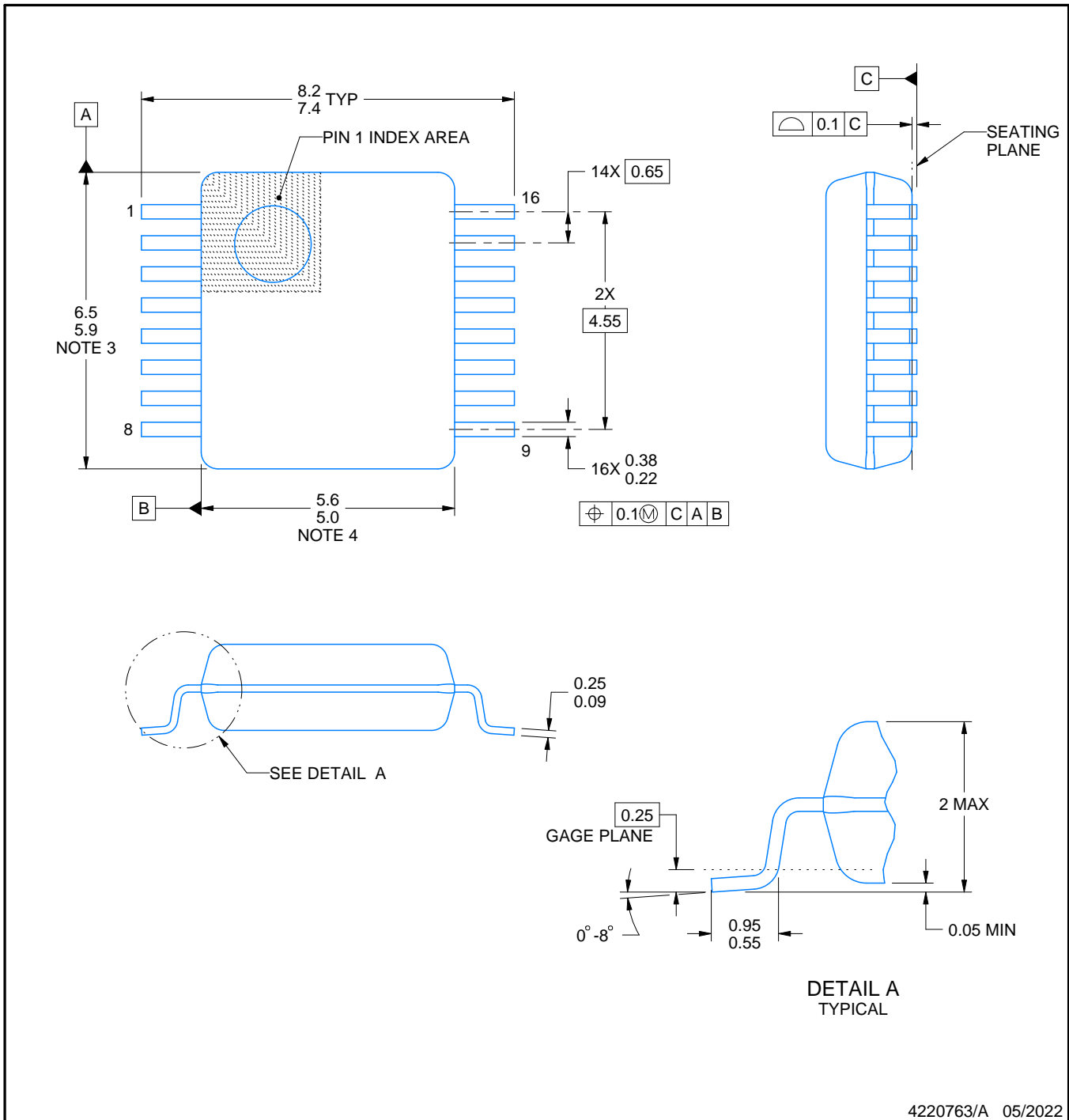
DB0016A



PACKAGE OUTLINE

SSOP - 2 mm max height

SMALL OUTLINE PACKAGE



4220763/A 05/2022

NOTES:

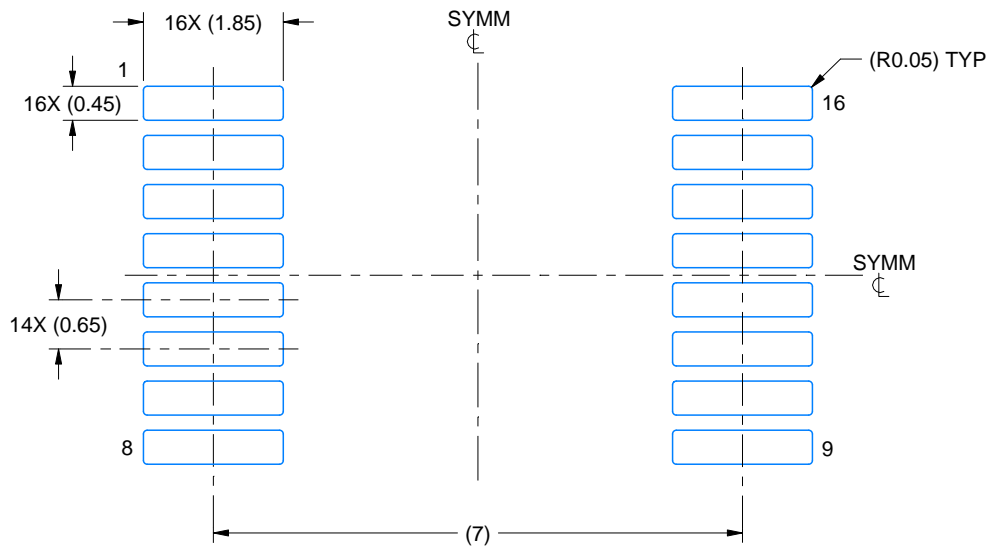
- All linear dimensions are in millimeters. Any dimensions in parenthesis are for reference only. Dimensioning and tolerancing per ASME Y14.5M.
- This drawing is subject to change without notice.
- This dimension does not include mold flash, protrusions, or gate burrs. Mold flash, protrusions, or gate burrs shall not exceed 0.15 mm per side.
- Reference JEDEC registration MO-150.

EXAMPLE BOARD LAYOUT

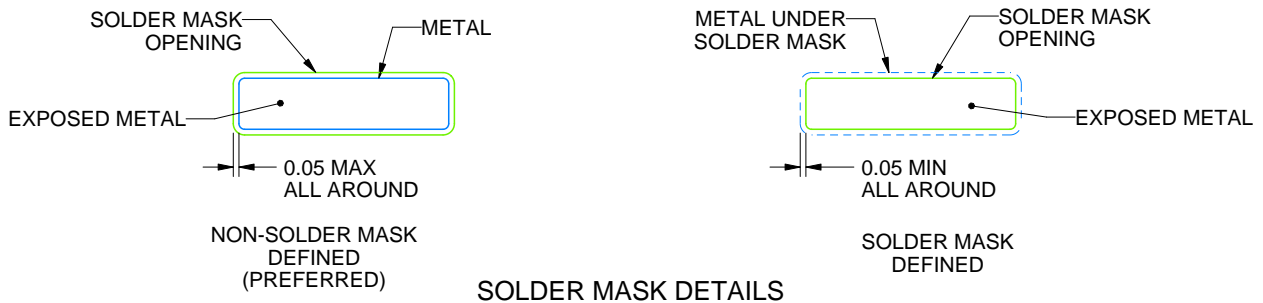
DB0016A

SSOP - 2 mm max height

SMALL OUTLINE PACKAGE



LAND PATTERN EXAMPLE
EXPOSED METAL SHOWN
SCALE: 10X



4220763/A 05/2022

NOTES: (continued)

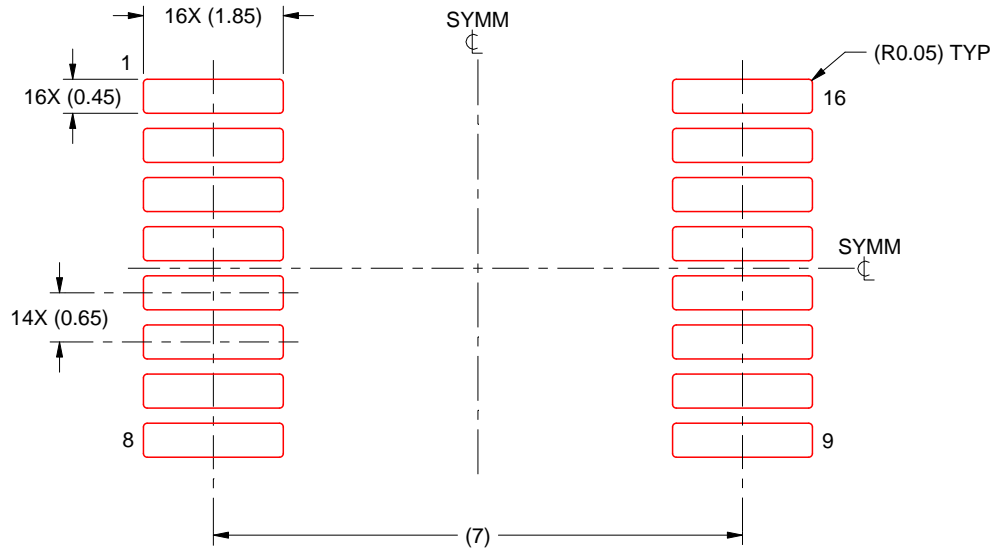
- 5. Publication IPC-7351 may have alternate designs.
- 6. Solder mask tolerances between and around signal pads can vary based on board fabrication site.

EXAMPLE STENCIL DESIGN

DB0016A

SSOP - 2 mm max height

SMALL OUTLINE PACKAGE



SOLDER PASTE EXAMPLE
BASED ON 0.125 mm THICK STENCIL
SCALE: 10X

4220763/A 05/2022

NOTES: (continued)

7. Laser cutting apertures with trapezoidal walls and rounded corners may offer better paste release. IPC-7525 may have alternate design recommendations.
8. Board assembly site may have different recommendations for stencil design.

MECHANICAL DATA

NS (R-PDSO-G**)

PLASTIC SMALL-OUTLINE PACKAGE

14-PINS SHOWN

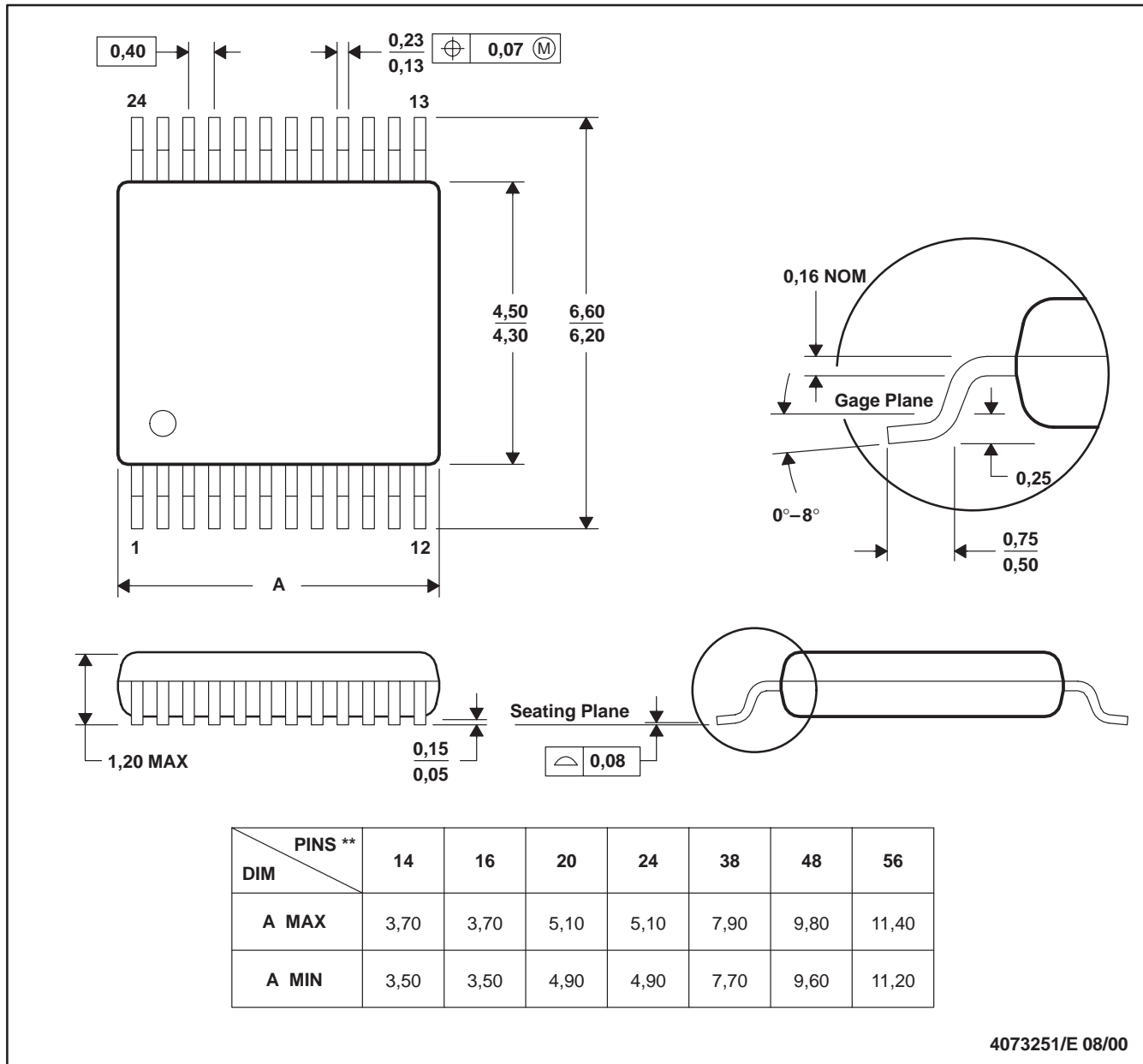


- NOTES:
- A. All linear dimensions are in millimeters.
 - B. This drawing is subject to change without notice.
 - C. Body dimensions do not include mold flash or protrusion, not to exceed 0,15.

DGV (R-PDSO-G**)

PLASTIC SMALL-OUTLINE

24 PINS SHOWN

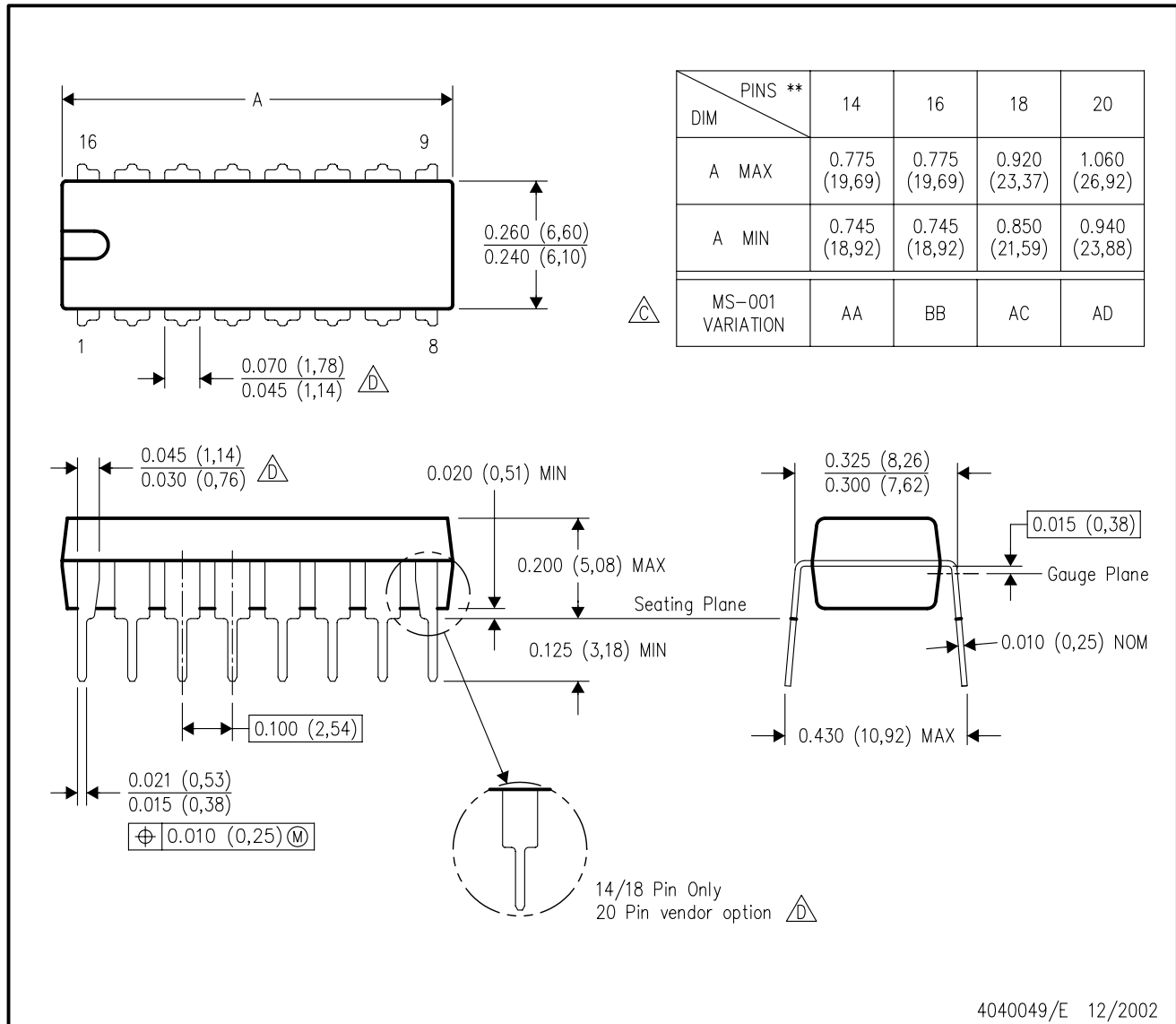


- NOTES: A. All linear dimensions are in millimeters.
 B. This drawing is subject to change without notice.
 C. Body dimensions do not include mold flash or protrusion, not to exceed 0,15 per side.
 D. Falls within JEDEC: 24/48 Pins – MO-153
 14/16/20/56 Pins – MO-194

N (R-PDIP-T**)

PLASTIC DUAL-IN-LINE PACKAGE

16 PINS SHOWN

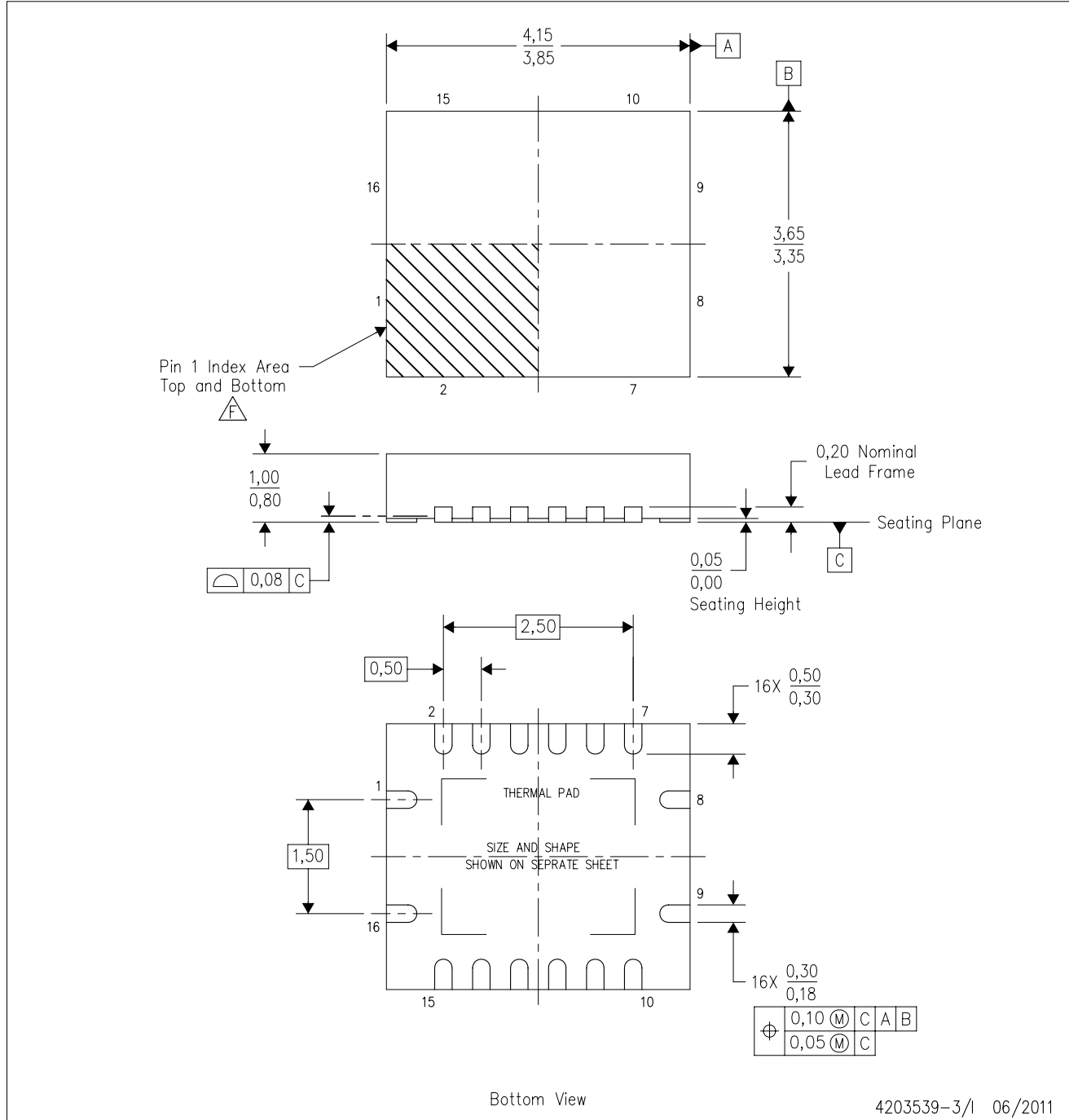


4040049/E 12/2002

- NOTES:
- A. All linear dimensions are in inches (millimeters).
 - B. This drawing is subject to change without notice.
 - $\triangle C$ Falls within JEDEC MS-001, except 18 and 20 pin minimum body length (Dim A).
 - $\triangle D$ The 20 pin end lead shoulder width is a vendor option, either half or full width.

RGY (R-PVQFN-N16)

PLASTIC QUAD FLATPACK NO-LEAD



- NOTES:
- A. All linear dimensions are in millimeters. Dimensioning and tolerancing per ASME Y14.5M-1994.
 - B. This drawing is subject to change without notice.
 - C. QFN (Quad Flatpack No-Lead) package configuration.
 - D. The package thermal pad must be soldered to the board for thermal and mechanical performance.
 - E. See the additional figure in the Product Data Sheet for details regarding the exposed thermal pad features and dimensions.
 - F. Pin 1 identifiers are located on both top and bottom of the package and within the zone indicated. The Pin 1 identifiers are either a molded, marked, or metal feature.
 - G. Package complies to JEDEC MO-241 variation BA.

RGY (R-PVQFN-N16)

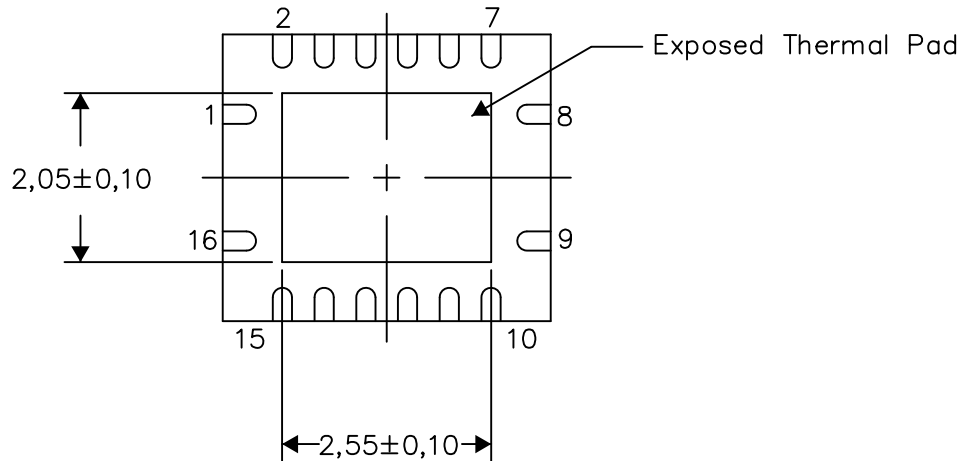
PLASTIC QUAD FLATPACK NO-LEAD

THERMAL INFORMATION

This package incorporates an exposed thermal pad that is designed to be attached directly to an external heatsink. The thermal pad must be soldered directly to the printed circuit board (PCB). After soldering, the PCB can be used as a heatsink. In addition, through the use of thermal vias, the thermal pad can be attached directly to the appropriate copper plane shown in the electrical schematic for the device, or alternatively, can be attached to a special heatsink structure designed into the PCB. This design optimizes the heat transfer from the integrated circuit (IC).

For information on the Quad Flatpack No-Lead (QFN) package and its advantages, refer to Application Report, QFN/SON PCB Attachment, Texas Instruments Literature No. SLUA271. This document is available at www.ti.com.

The exposed thermal pad dimensions for this package are shown in the following illustration.



Bottom View

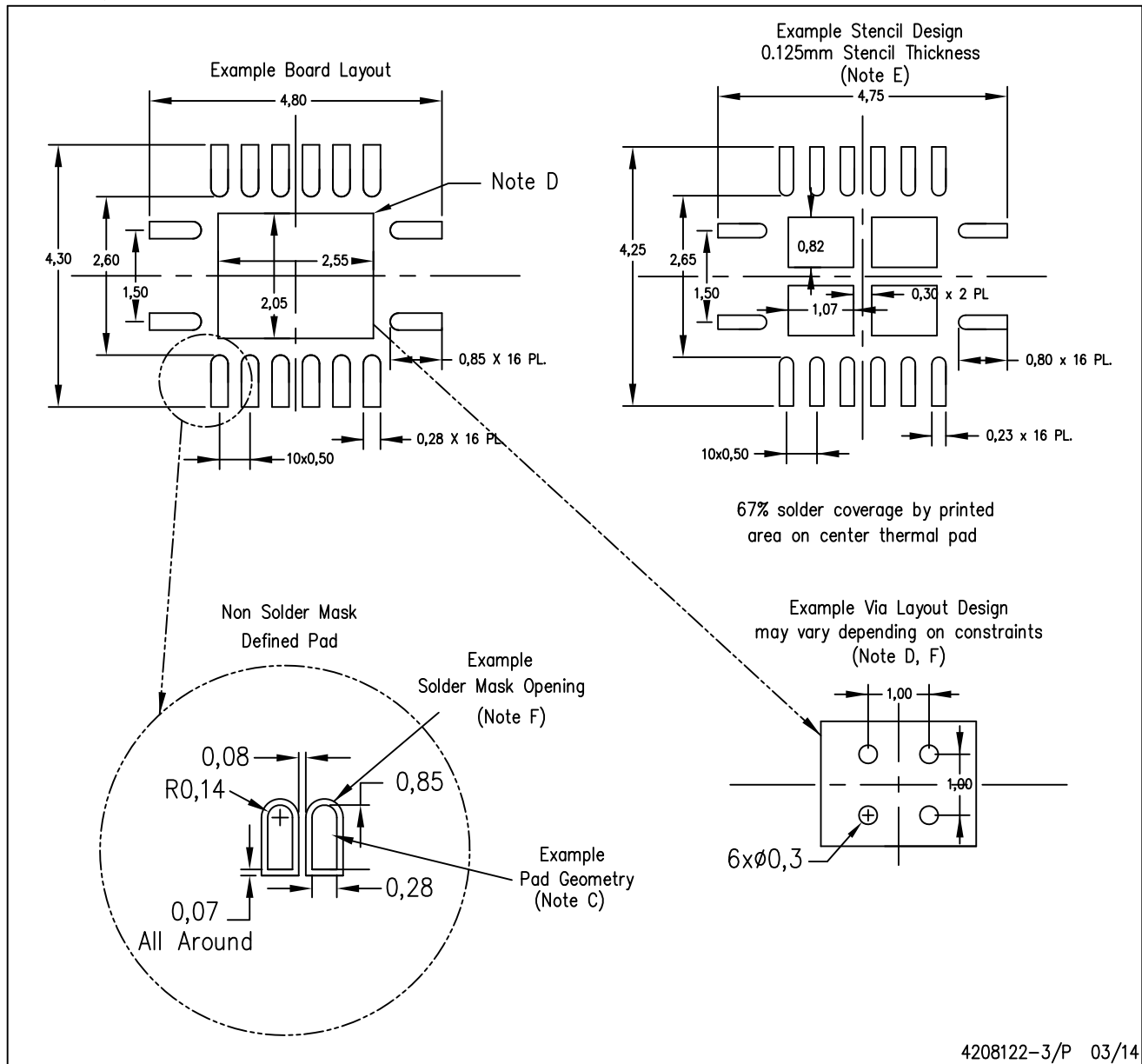
Exposed Thermal Pad Dimensions

4206353-3/P 03/14

NOTE: All linear dimensions are in millimeters

RGY (R-PVQFN-N16)

PLASTIC QUAD FLATPACK NO-LEAD



4208122-3/P 03/14

- NOTES:
- A. All linear dimensions are in millimeters.
 - B. This drawing is subject to change without notice.
 - C. Publication IPC-7351 is recommended for alternate designs.
 - D. This package is designed to be soldered to a thermal pad on the board. Refer to Application Note, Quad Flat-Pack QFN/SON PCB Attachment, Texas Instruments Literature No. SLUA271, and also the Product Data Sheets for specific thermal information, via requirements, and recommended board layout. These documents are available at www.ti.com <<http://www.ti.com>>.
 - E. Laser cutting apertures with trapezoidal walls and also rounding corners will offer better paste release. Customers should contact their board assembly site for stencil design recommendations. Refer to IPC 7525 for stencil design considerations.
 - F. Customers should contact their board fabrication site for minimum solder mask web tolerances between signal pads.

IMPORTANT NOTICE AND DISCLAIMER

TI PROVIDES TECHNICAL AND RELIABILITY DATA (INCLUDING DATA SHEETS), DESIGN RESOURCES (INCLUDING REFERENCE DESIGNS), APPLICATION OR OTHER DESIGN ADVICE, WEB TOOLS, SAFETY INFORMATION, AND OTHER RESOURCES "AS IS" AND WITH ALL FAULTS, AND DISCLAIMS ALL WARRANTIES, EXPRESS AND IMPLIED, INCLUDING WITHOUT LIMITATION ANY IMPLIED WARRANTIES OF MERCHANTABILITY, FITNESS FOR A PARTICULAR PURPOSE OR NON-INFRINGEMENT OF THIRD PARTY INTELLECTUAL PROPERTY RIGHTS.

These resources are intended for skilled developers designing with TI products. You are solely responsible for (1) selecting the appropriate TI products for your application, (2) designing, validating and testing your application, and (3) ensuring your application meets applicable standards, and any other safety, security, regulatory or other requirements.

These resources are subject to change without notice. TI grants you permission to use these resources only for development of an application that uses the TI products described in the resource. Other reproduction and display of these resources is prohibited. No license is granted to any other TI intellectual property right or to any third party intellectual property right. TI disclaims responsibility for, and you will fully indemnify TI and its representatives against, any claims, damages, costs, losses, and liabilities arising out of your use of these resources.

TI's products are provided subject to [TI's Terms of Sale](#) or other applicable terms available either on [ti.com](https://www.ti.com) or provided in conjunction with such TI products. TI's provision of these resources does not expand or otherwise alter TI's applicable warranties or warranty disclaimers for TI products.

TI objects to and rejects any additional or different terms you may have proposed.

Mailing Address: Texas Instruments, Post Office Box 655303, Dallas, Texas 75265
Copyright © 2024, Texas Instruments Incorporated

Looking for pricing, stock, or lifecycle information?

Click below to explore more details on WIN SOURCE:

 [View SN74LV4052ADR on WIN SOURCE](#)

 [Texas Instruments](#) Information

Optimize Your Supply Chain with WIN SOURCE Solutions

-  Global Sourcing Solution
-  Obsolete Management
-  Cost Control Management
-  Shortage Management
-  Alternative Solution
-  Excess Inventory Management