



**THE DATASHEET OF
SN74ALS646ADWRG4**

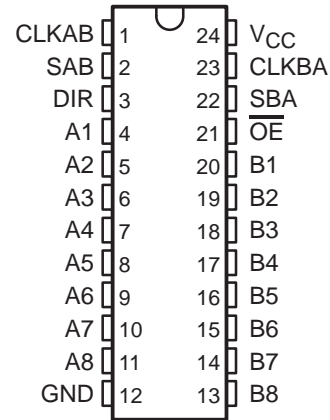


SN54ALS646, SN54ALS648, SN54AS646 SN74ALS646A, SN74ALS648A, SN74AS646, SN74AS648 OCTAL BUS TRANSCEIVERS AND REGISTERS WITH 3-STATE OUTPUTS

SDAS039F – DECEMBER 1983 – REVISED JANUARY 1995

- Independent Registers for A and B Buses
- Multiplexed Real-Time and Stored Data
- Choice of True or Inverting Data Paths
- Choice of 3-State or Open-Collector Outputs
- Package Options Include Plastic Small-Outline (DW) Packages, Ceramic Chip Carriers (FK), and Standard Plastic (NT) and Ceramic (JT) 300-mil DIPs

SN54ALS646, SN54ALS648, SN54AS646 . . . JT PACKAGE
SN74ALS646A, SN74ALS648A, SN74AS646,
SN74AS648 . . . DW OR NT PACKAGE
(TOP VIEW)



DEVICE	OUTPUT	LOGIC
SN54ALS646, SN74ALS646A, 'AS646	3 state	True
SN54ALS648, SN74ALS648A, SN74AS648	3 state	Inverting

description

These devices consist of bus-transceiver circuits with 3-state or open-collector outputs, D-type flip-flops, and control circuitry arranged for multiplexed transmission of data directly from the data bus or from the internal storage registers. Data on the A or B bus is clocked into the registers on the low-to-high transition of the appropriate clock (CLKAB or CLKBA) input. Figure 1 illustrates the four fundamental bus-management functions that can be performed with the octal bus transceivers and registers.

Output-enable (\overline{OE}) and direction-control (DIR) inputs control the transceiver functions. In the transceiver mode, data present at the high-impedance port may be stored in either or both registers.

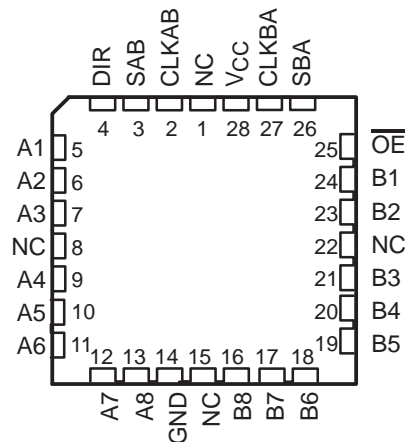
The select-control (SAB and SBA) inputs can multiplex stored and real-time (transparent mode) data. The circuitry used for select control eliminates the typical decoding glitch that occurs in a multiplexer during the transition between stored and real-time data. DIR determines which bus receives data when \overline{OE} is low. In the isolation mode (\overline{OE} high), A data may be stored in one register and/or B data may be stored in the other register.

When an output function is disabled, the input function is still enabled and can be used to store and transmit data. Only one of the two buses, A or B, may be driven at a time.

The -1 version of the SN74ALS646A is identical to the standard version, except that the recommended maximum I_{OL} in the -1 version is increased to 48 mA. There are no -1 versions of the SN54ALS646, SN54ALS648, or SN74ALS648A.

The SN54ALS646, SN54ALS648, and SN54AS646 are characterized for operation over the full military temperature range of -55°C to 125°C . The SN74ALS646A, SN74ALS648A, SN74AS646, and SN74AS648 are characterized for operation from 0°C to 70°C .

SN54ALS646, SN54ALS648, SN54AS646 . . . FK PACKAGE
(TOP VIEW)



NC – No internal connection

SN54ALS646, SN54ALS648, SN54AS646
 SN74ALS646A, SN74ALS648A, SN74AS646, SN74AS648
OCTAL BUS TRANSCEIVERS AND REGISTERS WITH 3-STATE OUTPUTS

SDAS039F – DECEMBER 1983 – REVISED JANUARY 1995

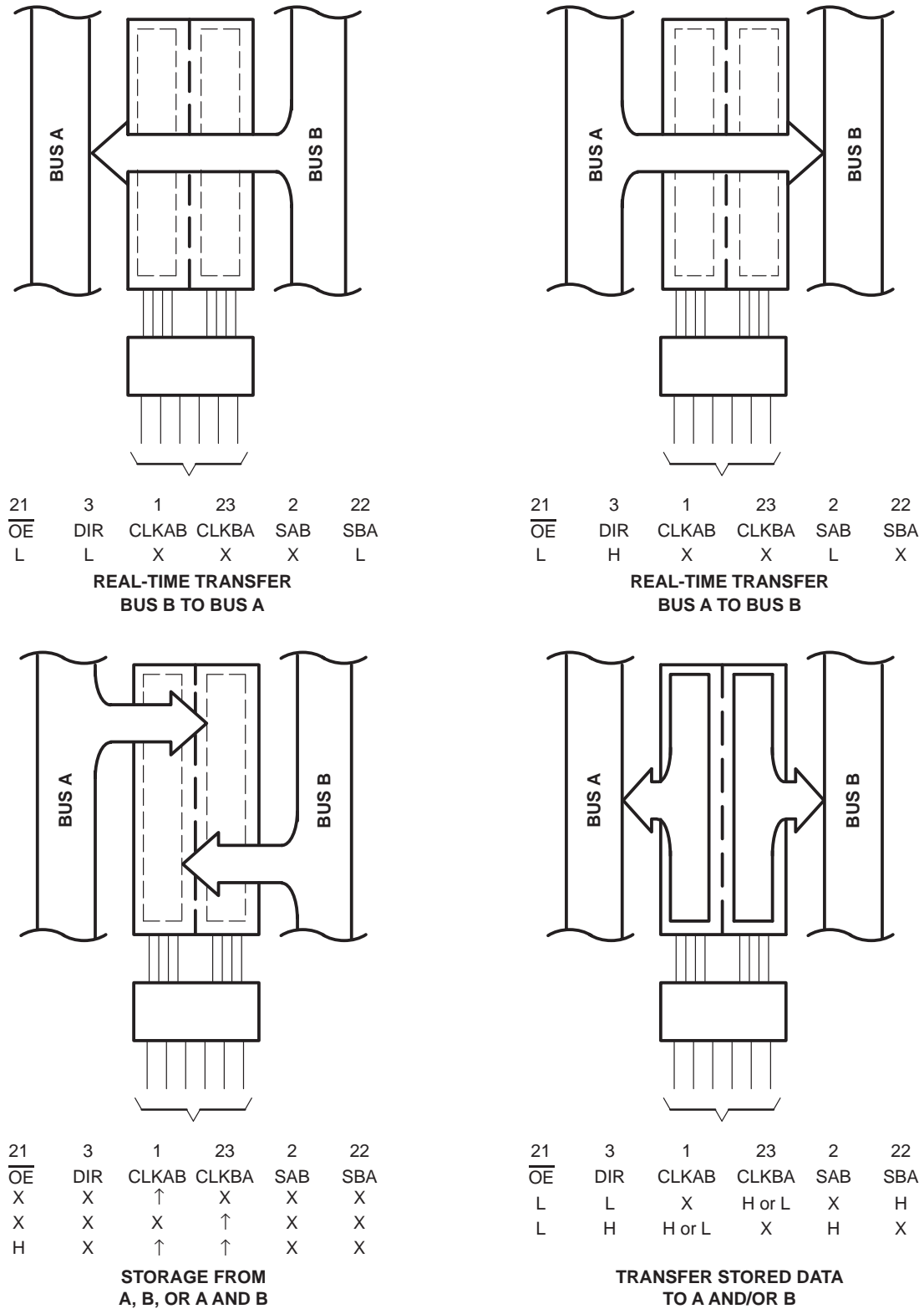


Figure 1. Bus-Management Functions

Pin numbers shown are for the DW, JT, and NT packages.

**SN54ALS646, SN54ALS648, SN54AS646
SN74ALS646A, SN74ALS648A, SN74AS646, SN74AS648
OCTAL BUS TRANSCEIVERS AND REGISTERS WITH 3-STATE OUTPUTS**

SDAS039F – DECEMBER 1983 – REVISED JANUARY 1995

Function Tables

SN54ALS646, SN54AS646, SN74ALS646A, SN74AS646

INPUTS						DATA I/O		OPERATION OR FUNCTION
\overline{OE}	DIR	CLKAB	CLKBA	SAB	SBA	A1–A8	B1–B8	
X	X	↑	X	X	X	Input	Unspecified [†]	Store A, B unspecified [†]
X	X	X	↑	X	X	Unspecified [†]	Input	Store B, A unspecified [†]
H	X	↑	↑	X	X	Input	Input	Store A and B data
H	X	H or L	H or L	X	X	Input disabled	Input disabled	Isolation, hold storage
L	L	X	X	X	L	Output	Input	Real-time B data to A bus
L	L	X	H or L	X	H	Output	Input	Stored B data to A bus
L	H	X	X	L	X	Input	Output	Real-time A data to B bus
L	H	H or L	X	H	X	Input	Output	Stored A data to B bus

[†] The data output functions can be enabled or disabled by various signals at \overline{OE} and DIR. Data input functions are always enabled; i.e., data at the bus terminals is stored on every low-to-high transition of the clock inputs.

SN54ALS648, SN74ALS648A, SN74AS648

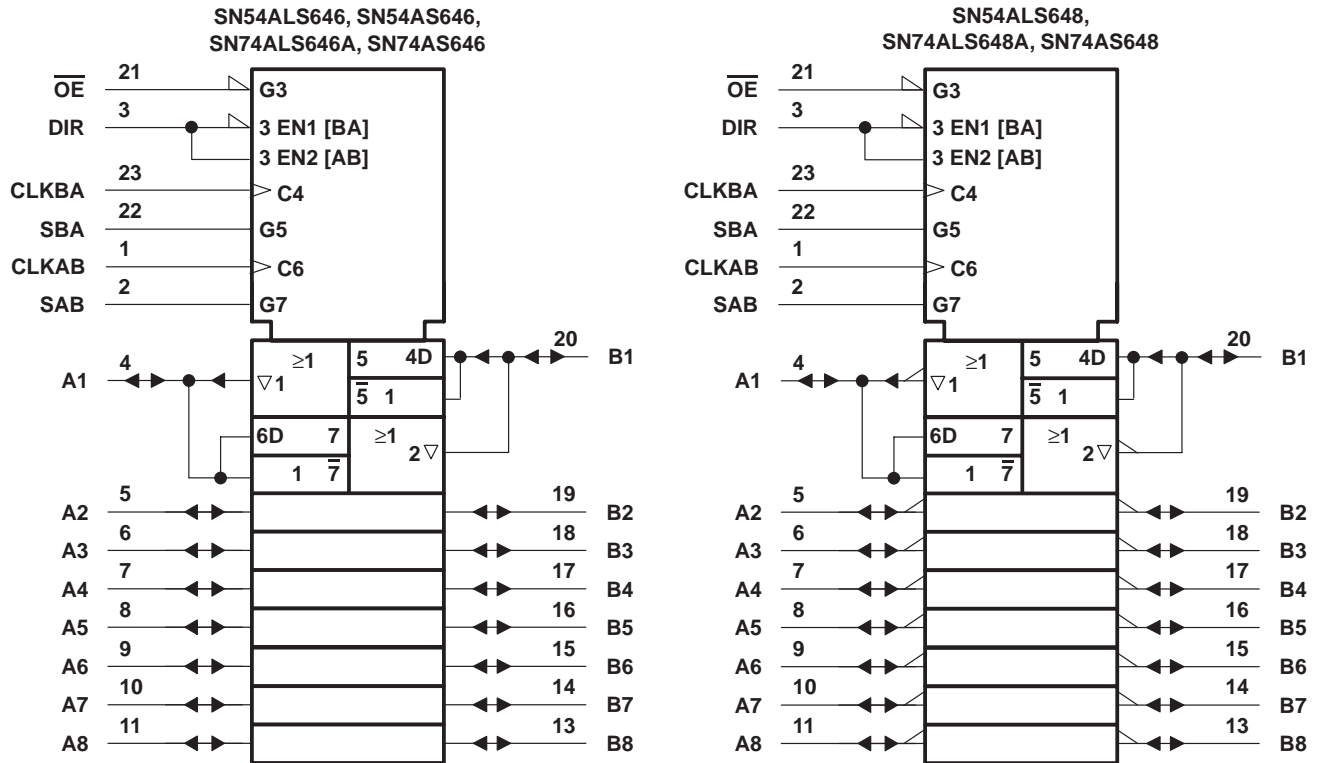
INPUTS						DATA I/O		OPERATION OR FUNCTION
\overline{OE}	DIR	CLKAB	CLKBA	SAB	SBA	A1–A8	B1–B8	
X	X	↑	X	X	X	Input	Unspecified [†]	Store A, B unspecified [†]
X	X	X	↑	X	X	Unspecified [†]	Input	Store B, A unspecified [†]
H	X	↑	↑	X	X	Input	Input	Store A and B data
H	X	H or L	H or L	X	X	Input disabled	Input disabled	Isolation, hold storage
L	L	X	X	X	L	Output	Input	Real-time \overline{B} data to A bus
L	L	X	H or L	X	H	Output	Input	Stored \overline{B} data to A bus
L	H	X	X	L	X	Input	Output	Real-time \overline{A} data to B bus
L	H	H or L	X	H	X	Input	Output	Stored \overline{A} data to B bus

[†] The data output functions can be enabled or disabled by various signals at \overline{OE} and DIR. Data input functions are always enabled; i.e., data at the bus terminals is stored on every low-to-high transition of the clock inputs.

SN54ALS646, SN54ALS648, SN54AS646
 SN74ALS646A, SN74ALS648A, SN74AS646, SN74AS648
 OCTAL BUS TRANSCEIVERS AND REGISTERS WITH 3-STATE OUTPUTS

SDAS039F – DECEMBER 1983 – REVISED JANUARY 1995

logic symbols†

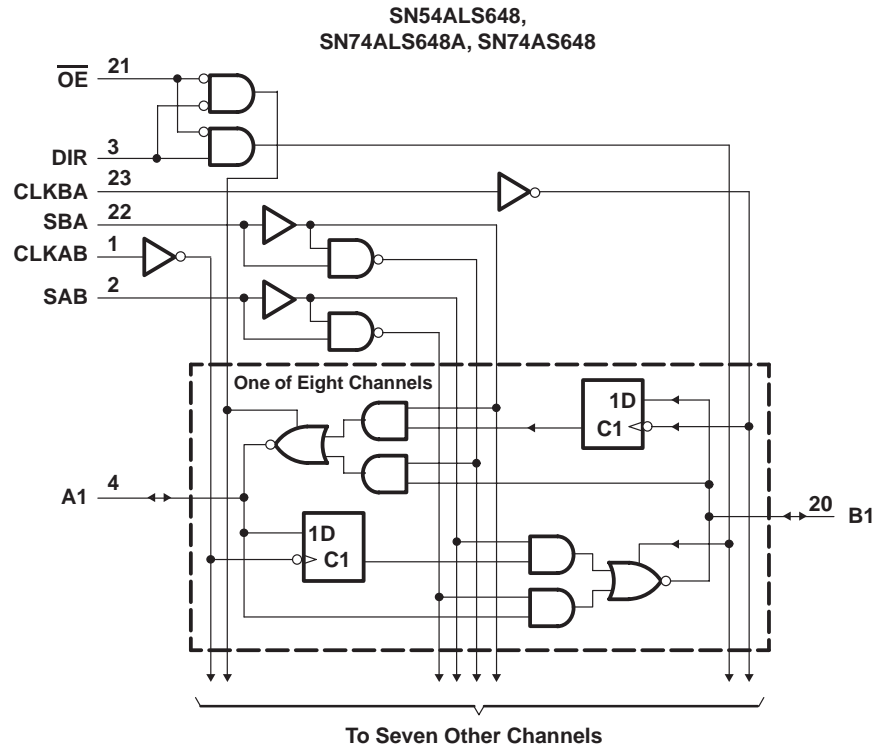
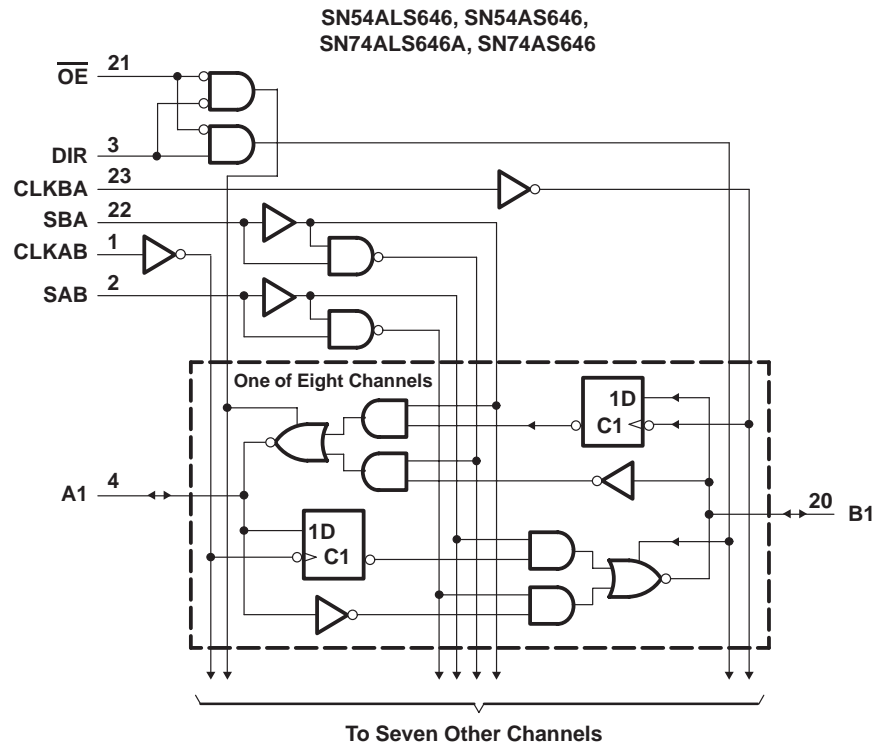


† These symbols are in accordance with ANSI/IEEE Std 91-1984 and IEC Publication 617-12.
 Pin numbers shown are for the DW, JT, and NT packages.

SN54ALS646, SN54ALS648, SN54AS646
SN74ALS646A, SN74ALS648A, SN74AS646, SN74AS648
OCTAL BUS TRANSCEIVERS AND REGISTERS WITH 3-STATE OUTPUTS

SDAS039F – DECEMBER 1983 – REVISED JANUARY 1995

logic diagrams (positive logic)



Pin numbers shown are for the DW, JT, and NT packages.

SN54ALS646, SN54ALS648, SN54AS646
SN74ALS646A, SN74ALS648A, SN74AS646, SN74AS648
OCTAL BUS TRANSCEIVERS AND REGISTERS WITH 3-STATE OUTPUTS

SDAS039F – DECEMBER 1983 – REVISED JANUARY 1995

electrical characteristics over recommended operating free-air temperature range (unless otherwise noted)

PARAMETER	TEST CONDITIONS	SN54ALS646		SN74ALS646A		UNIT	
		MIN	TYP†	MAX	MIN		TYP†
V_{IK}	$V_{CC} = 4.5\text{ V}$, $I_I = -18\text{ mA}$			-1.2		-1.2	V
V_{OH}	$V_{CC} = 4.5\text{ V to }5.5\text{ V}$, $I_{OH} = -0.4\text{ mA}$	$V_{CC}-2$		$V_{CC}-2$		V	
	$V_{CC} = 4.5\text{ V}$	$I_{OH} = -3\text{ mA}$	2.4	3.2	2.4		3.2
		$I_{OH} = -12\text{ mA}$	2				
V_{OL}	$V_{CC} = 4.5\text{ V}$	$I_{OL} = 12\text{ mA}$	0.25	0.4	0.25	0.4	V
		$I_{OL} = 24\text{ mA}$			0.35	0.5	
		$I_{OL} = 48\text{ mA}^\ddagger$			0.35	0.5	
I_I	Control inputs	$V_{CC} = 5.5\text{ V}$	$V_I = 7\text{ V}$	0.1		0.1	mA
	A or B ports		$V_I = 5.5\text{ V}$	0.1		0.1	
I_{IH}	Control inputs	$V_{CC} = 5.5\text{ V}$,	$V_I = 2.7\text{ V}$	20		20	μA
	A or B ports§			20		20	
I_{IL}	Control inputs	$V_{CC} = 5.5\text{ V}$,	$V_I = 0.4\text{ V}$	-0.2		-0.2	mA
	A or B ports§			-0.2		-0.2	
I_{O}^\parallel	$V_{CC} = 5.5\text{ V}$,	$V_O = 2.25\text{ V}$	-20	-112	-30	-112	mA
I_{CC}	$V_{CC} = 5.5\text{ V}$	Outputs high	47	76	47	76	mA
		Outputs low	55	88	55	88	
		Outputs disabled	55	88	55	88	

† All typical values are at $V_{CC} = 5\text{ V}$, $T_A = 25^\circ\text{C}$.

‡ Applies only to the -1 version and only if V_{CC} is maintained between 4.75 V and 5.25 V.

§ For I/O ports, the parameters I_{IH} and I_{IL} include the off-state output current.

¶ The output conditions have been chosen to produce a current that closely approximates one half of the true short-circuit output current, I_{OS} .

SN54ALS646, SN54ALS648, SN54AS646
 SN74ALS646A, SN74ALS648A, SN74AS646, SN74AS648
 OCTAL BUS TRANSCEIVERS AND REGISTERS WITH 3-STATE OUTPUTS

SDAS039F – DECEMBER 1983 – REVISED JANUARY 1995

switching characteristics (see Figure 2)

PARAMETER	FROM (INPUT)	TO (OUTPUT)	V _{CC} = 4.5 V to 5.5 V, C _L = 50 pF, R ₁ = 500 Ω, R ₂ = 500 Ω, T _A = MIN to MAX†				UNIT
			SN54ALS646		SN74ALS646A		
			MIN	MAX	MIN	MAX	
f _{max}			35		40		MHz
t _{PLH}	CLKBA or CLKAB	A or B	10	35	7	30	ns
t _{PHL}			5	20	5	17	
t _{PLH}	A or B	B or A	5	22	3	20	ns
t _{PHL}			3	15	3	12	
t _{PLH}	SBA or SAB‡ (stored data low)	A or B	10	40	7	35	ns
t _{PHL}			5	23	5	20	
t _{PLH}	SBA or SAB‡ (stored data high)	A or B	8	30	6	25	ns
t _{PHL}			5	24	5	20	
t _{PZH}	\overline{OE}	A or B	3	20	2	17	ns
t _{PZL}			5	22	4	20	
t _{PHZ}	\overline{OE}	A or B	1	12	1	10	ns
t _{PLZ}			1	20	2	16	
t _{PZH}	DIR	A or B	5	38	3	30	ns
t _{PZL}			5	30	4	25	
t _{PHZ}	DIR	A or B	1	12	1	10	ns
t _{PLZ}			2	21	2	16	

† For conditions shown MIN or MAX, use the appropriate value specified under recommended operating conditions.

‡ These parameters are measured with the internal output state of the storage register opposite that of the bus input.

SN54ALS646, SN54ALS648, SN54AS646
SN74ALS646A, SN74ALS648A, SN74AS646, SN74AS648
OCTAL BUS TRANSCEIVERS AND REGISTERS WITH 3-STATE OUTPUTS

SDAS039F – DECEMBER 1983 – REVISED JANUARY 1995

absolute maximum ratings over operating free-air temperature range (unless otherwise noted)†

Supply voltage, V_{CC}	7 V
Input voltage, V_I : Control inputs	7 V
I/O ports	5.5 V
Operating free-air temperature range, T_A : SN54ALS648	–55°C to 125°C
SN74ALS648A	0°C to 70°C
Storage temperature range	–65°C to 150°C

† Stresses beyond those listed under “absolute maximum ratings” may cause permanent damage to the device. These are stress ratings only, and functional operation of the device at these or any other conditions beyond those indicated under “recommended operating conditions” is not implied. Exposure to absolute-maximum-rated conditions for extended periods may affect device reliability.

recommended operating conditions

		SN54ALS648			SN74ALS648A			UNIT
		MIN	NOM	MAX	MIN	NOM	MAX	
V_{CC}	Supply voltage	4.5	5	5.5	4.5	5	5.5	V
V_{IH}	High-level input voltage	2			2			V
V_{IL}	Low-level input voltage			0.7			0.8	V
I_{OH}	High-level output current			–12			–15	mA
I_{OL}	Low-level output current			12			24	mA
f_{clock}	Clock frequency	0		35	0		40	MHz
t_w	Pulse duration, CLKBA or CLKAB high or low	14.5			12.5			ns
t_{su}	Setup time, A before CLKAB↑ or B before CLKBA↑	15			10			ns
t_h	Hold time, A after CLKAB↑ or B after CLKBA↑	0			0			ns
T_A	Operating free-air temperature	–55		125	0		70	°C



**SN54ALS646, SN54ALS648, SN54AS646
SN74ALS646A, SN74ALS648A, SN74AS646, SN74AS648
OCTAL BUS TRANSCEIVERS AND REGISTERS WITH 3-STATE OUTPUTS**

SDAS039F – DECEMBER 1983 – REVISED JANUARY 1995

electrical characteristics over recommended operating free-air temperature range (unless otherwise noted)

PARAMETER		TEST CONDITIONS	SN54ALS648		SN74ALS648A		UNIT		
			MIN	TYP†	MAX	MIN		TYP†	MAX
V _{IK}		V _{CC} = 4.5 V, I _I = -18 mA			-1.2			V	
V _{OH}		V _{CC} = 4.5 V to 5.5 V, I _{OH} = -0.4 mA	V _{CC} -2		V _{CC} -2		V		
		V _{CC} = 4.5 V	I _{OH} = -3 mA	2.4	3.2	2.4		3.2	
			I _{OH} = -12 mA	2					
V _{OL}		V _{CC} = 4.5 V	I _{OL} = 12 mA	0.25	0.4	0.25	0.4	V	
			I _{OL} = 24 mA			0.35	0.5		
I _I	Control inputs	V _{CC} = 5.5 V	V _I = 7 V			0.1	0.1	mA	
	A or B ports		V _I = 5.5 V			0.1	0.1		
I _{IH}	Control inputs	V _{CC} = 5.5 V,	V _I = 2.7 V			20	20	μA	
	A or B ports‡					20	20		
I _{IL}	Control inputs	V _{CC} = 5.5 V,	V _I = 0.4 V			-0.2	-0.2	mA	
	A or B ports‡					-0.2	-0.2		
I _O §		V _{CC} = 5.5 V,	V _O = 2.25 V		-20	-112	-30	-112	mA
I _{CC}		V _{CC} = 5.5 V	Outputs high		47	76	47	76	mA
			Outputs low		57	88	57	88	
			Outputs disabled		57	88	57	88	

† All typical values are at V_{CC} = 5 V, T_A = 25°C.

‡ For I/O ports, the parameters I_{IH} and I_{IL} include the off-state output current.

§ The output conditions have been chosen to produce a current that closely approximates one half of the true short-circuit output current, I_{OS}.

**SN54ALS646, SN54ALS648, SN54AS646
SN74ALS646A, SN74ALS648A, SN74AS646, SN74AS648
OCTAL BUS TRANSCEIVERS AND REGISTERS WITH 3-STATE OUTPUTS**

SDAS039F – DECEMBER 1983 – REVISED JANUARY 1995

switching characteristics (see Figure 2)

PARAMETER	FROM (INPUT)	TO (OUTPUT)	V _{CC} = 4.5 V to 5.5 V, C _L = 50 pF, R ₁ = 500 Ω, R ₂ = 500 Ω, T _A = MIN to MAX†				UNIT
			SN54ALS648		SN74ALS648A		
			MIN	MAX	MIN	MAX	
f _{max}			35		40		MHz
t _{PLH}	CLKBA or CLKAB	A or B	8	39	7	33	ns
t _{PHL}			5	23	5	20	
t _{PLH}	A or B	B or A	3	20	2	17	ns
t _{PHL}			2	12	2	10	
t _{PLH}	SBA or SAB‡ (stored data low)	A or B	5	44	5	39	ns
t _{PHL}			4	26	4	22	
t _{PLH}	SBA or SAB‡ (stored data high)	A or B	6	30	6	25	ns
t _{PHL}			6	25	6	21	
t _{PZH}	\overline{OE}	A or B	4	25	2	22	ns
t _{PZL}			4	25	4	22	
t _{PHZ}	\overline{OE}	A or B	1	12	1	10	ns
t _{PLZ}			2	21	2	15	
t _{PZH}	DIR	A or B	4	35	2	27	ns
t _{PZL}			3	25	3	19	
t _{PHZ}	DIR	A or B	1	17	1	14	ns
t _{PLZ}			2	22	2	15	

† For conditions shown MIN or MAX, use the appropriate value specified under recommended operating conditions.

‡ These parameters are measured with the internal output state of the storage register opposite that of the bus input.

SN54ALS646, SN54ALS648, SN54AS646
SN74ALS646A, SN74ALS648A, SN74AS646, SN74AS648
OCTAL BUS TRANSCEIVERS AND REGISTERS WITH 3-STATE OUTPUTS

SDAS039F – DECEMBER 1983 – REVISED JANUARY 1995

electrical characteristics over recommended operating free-air temperature range (unless otherwise noted)

PARAMETER	TEST CONDITIONS	SN54AS646		SN74AS646		UNIT		
		MIN	TYP†	MAX	MIN		TYP†	MAX
V_{IK}	$V_{CC} = 4.5\text{ V}$, $I_I = -18\text{ mA}$			-1.2		-1.2	V	
V_{OH}	$V_{CC} = 4.5\text{ V to }5.5\text{ V}$, $I_{OH} = -2\text{ mA}$	$V_{CC}-2$		$V_{CC}-2$		V		
	$V_{CC} = 4.5\text{ V}$	$I_{OH} = -3\text{ mA}$	2.4	3.2	2.4		3.2	
		$I_{OH} = -12\text{ mA}$	2					
V_{OL}	$V_{CC} = 4.5\text{ V}$	$I_{OL} = 32\text{ mA}$	0.25	0.5			V	
		$I_{OL} = 48\text{ mA}$			0.35	0.5		
I_I	Control inputs	$V_{CC} = 5.5\text{ V}$,	$V_I = 7\text{ V}$		0.1		mA	
	A or B ports	$V_{CC} = 5.5\text{ V}$,	$V_I = 5.5\text{ V}$		0.1			
I_{IH}	Control inputs	$V_{CC} = 5.5\text{ V}$,	$V_I = 2.7\text{ V}$		20		μA	
	A or B ports‡				70			
I_{IL}	Control input	$V_{CC} = 5.5\text{ V}$,	$V_I = 0.4\text{ V}$		-0.5		mA	
	A or B ports‡				-0.75			
$I_{OS}§$	$V_{CC} = 5.5\text{ V}$,	$V_O = 2.25\text{ V}$		-30	-112	-30	-112	mA
I_{CC}	$V_{CC} = 5.5\text{ V}$	Outputs high	120	195	120	195	mA	
		Outputs low	130	211	130	211		
		Outputs disabled	130	211	130	211		

† All typical values are at $V_{CC} = 5\text{ V}$, $T_A = 25\text{ }^\circ\text{C}$.

‡ For I/O ports, the parameters I_{IH} and I_{IL} include the off-state output current.

§ The output conditions have been chosen to produce a current that closely approximates one half of the true short-circuit output current, I_{OS} .

SN54ALS646, SN54ALS648, SN54AS646
 SN74ALS646A, SN74ALS648A, SN74AS646, SN74AS648
 OCTAL BUS TRANSCEIVERS AND REGISTERS WITH 3-STATE OUTPUTS

SDAS039F – DECEMBER 1983 – REVISED JANUARY 1995

switching characteristics (see Figure 2)

PARAMETER	FROM (INPUT)	TO (OUTPUT)	V _{CC} = 4.5 V to 5.5 V, C _L = 50 pF, R ₁ = 500 Ω, R ₂ = 500 Ω, T _A = MIN to MAX†				UNIT
			SN54AS646		SN74AS646		
			MIN	MAX	MIN	MAX	
f _{max} *			75		90		MHz
t _{PLH}	CLKBA or CLKAB	A or B	2	9.5	2	8.5	ns
t _{PHL}			2	10	2	9	
t _{PLH}	A or B	B or A	2	11.5	2	9	ns
t _{PHL}			1	8	1	7	
t _{PLH}	SBA or SAB‡	A or B	2	13.5	2	11	ns
t _{PHL}			2	11	2	9	
t _{PZH}	\overline{OE}	A or B	2	11	2	9	ns
t _{PZL}			3	15	3	14	
t _{PHZ}	\overline{OE}	A or B	2	11	2	9	ns
t _{PLZ}			2	11	2	9	
t _{PZH}	DIR	A or B	3	21	3	16	ns
t _{PZL}			3	24	3	18	
t _{PHZ}	DIR	A or B	2	12	2	10	ns
t _{PLZ}			2	12	2	10	

* On products compliant to MIL-STD-883, Class B, this parameter is based on characterization data but is not production tested.

† For conditions shown MIN or MAX, use the appropriate value specified under recommended operating conditions.

‡ These parameters are measured with the internal output state of the storage register opposite that of the bus input.

SN54ALS646, SN54ALS648, SN54AS646
SN74ALS646A, SN74ALS648A, SN74AS646, SN74AS648
OCTAL BUS TRANSCEIVERS AND REGISTERS WITH 3-STATE OUTPUTS

SDAS039F – DECEMBER 1983 – REVISED JANUARY 1995

absolute maximum ratings over operating free-air temperature range (unless otherwise noted)†

Supply voltage, V_{CC}	7 V
Input voltage, V_I : Control inputs	7 V
I/O ports	5.5 V
Operating free-air temperature range, T_A : SN74AS648	0°C to 70°C
Storage temperature range	–65°C to 150°C

† Stresses beyond those listed under “absolute maximum ratings” may cause permanent damage to the device. These are stress ratings only, and functional operation of the device at these or any other conditions beyond those indicated under “recommended operating conditions” is not implied. Exposure to absolute-maximum-rated conditions for extended periods may affect device reliability.

recommended operating conditions

		SN74AS648			UNIT
		MIN	NOM	MAX	
V_{CC}	Supply voltage	4.5	5	5.5	V
V_{IH}	High-level input voltage	2			V
V_{IL}	Low-level input voltage			0.8	V
I_{OH}	High-level output current			–15	mA
I_{OL}	Low-level output current			48	mA
f_{clock}	Clock frequency	0		90	MHz
t_w	Pulse duration	CLKBA or CLKAB high	5		ns
		CLKBA or CLKAB low	6		
t_{su}	Setup time, A before CLKAB↑ or B before CLKBA↑	6			ns
t_h	Hold time, A after CLKAB↑ or B before CLKBA	0			ns
T_A	Operating free-air temperature	0		70	°C

electrical characteristics over recommended operating free-air temperature range (unless otherwise noted)

PARAMETER		TEST CONDITIONS		SN74AS648			UNIT
				MIN	TYP‡	MAX	
V_{IK}		$V_{CC} = 4.5\text{ V}$,	$I_I = -18\text{ mA}$	–1.2			V
V_{OH}		$V_{CC} = 4.5\text{ V to } 5.5\text{ V}$,	$I_{OH} = -2\text{ mA}$	$V_{CC} - 2$		V	
		$V_{CC} = 4.5\text{ V}$	$I_{OH} = -3\text{ mA}$	2.4	3.2		
		$V_{CC} = 4.5\text{ V}$	$I_{OH} = -15\text{ mA}$	2			
V_{OL}		$V_{CC} = 4.5\text{ V}$,	$I_{OL} = 48\text{ mA}$	0.35	0.5		V
I_I	Control inputs	$V_{CC} = 5.5\text{ V}$	$V_I = 7\text{ V}$			0.1	mA
	A or B ports		$V_I = 5.5\text{ V}$			0.1	
I_{IH}	Control inputs	$V_{CC} = 5.5\text{ V}$,	$V_I = 2.7\text{ V}$			20	µA
	A or B ports§					70	
I_{IL}	Control input	$V_{CC} = 5.5\text{ V}$,	$V_I = 0.4\text{ V}$			–0.5	mA
	A or B ports§					–0.75	
I_{O}^{\parallel}		$V_{CC} = 5.5\text{ V}$,	$V_O = 2.25\text{ V}$	–30	–112		mA
I_{CC}		$V_{CC} = 5.5\text{ V}$	Outputs high	110	185	mA	
			Outputs low	120	195		
			Outputs disabled	120	195		

‡ All typical values are at $V_{CC} = 5\text{ V}$, $T_A = 25\text{ °C}$.

§ For I/O ports, the parameters I_{IH} and I_{IL} include the off-state output current.

¶ The output conditions have been chosen to produce a current that closely approximates one half of the true short-circuit output current, I_{OS} .



SN54ALS646, SN54ALS648, SN54AS646
 SN74ALS646A, SN74ALS648A, SN74AS646, SN74AS648
 OCTAL BUS TRANSCEIVERS AND REGISTERS WITH 3-STATE OUTPUTS

SDAS039F – DECEMBER 1983 – REVISED JANUARY 1995

switching characteristics (see Figure 2)

PARAMETER	FROM (INPUT)	TO (OUTPUT)	V _{CC} = 4.5 V to 5.5 V, C _L = 50 pF, R1 = 500 Ω, R2 = 500 Ω, T _A = MIN to MAX†		UNIT
			SN74AS648		
			MIN	MAX	
f _{max}			90		MHz
t _{PLH}	CLKBA or CLKAB	A or B	2	8.5	ns
t _{PHL}			2	9	
t _{PLH}	A or B	B or A	2	8	ns
t _{PHL}			1	7	
t _{PLH}	SBA or SAB‡	A or B	2	11	ns
t _{PHL}			2	9	
t _{PZH}	\overline{OE}	A or B	2	9	ns
t _{PZL}			3	15	
t _{PHZ}	\overline{OE}	A or B	2	9	ns
t _{PLZ}			2	9	
t _{PZH}	DIR	A or B	3	16	ns
t _{PZL}			3	18	
t _{PHZ}	DIR	A or B	2	10	ns
t _{PLZ}			2	10	

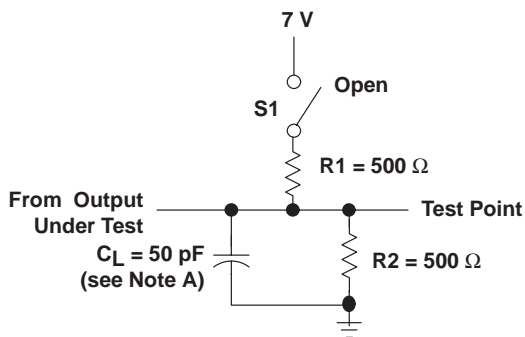
† For conditions shown MIN or MAX, use the appropriate value specified under recommended operating conditions.

‡ These parameters are measured with the internal output state of the storage register opposite that of the bus input.

SN54ALS646, SN54ALS648, SN54AS646
SN74ALS646A, SN74ALS648A, SN74AS646, SN74AS648
OCTAL BUS TRANSCEIVERS AND REGISTERS WITH 3-STATE OUTPUTS

SDAS039F – DECEMBER 1983 – REVISED JANUARY 1995

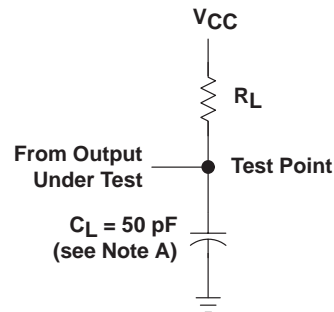
PARAMETER MEASUREMENT INFORMATION



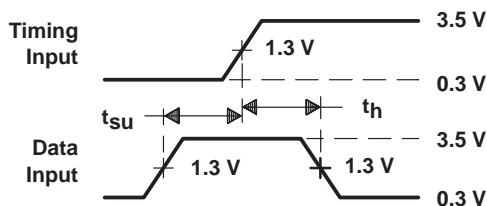
**LOAD CIRCUIT
FOR 3-STATE OUTPUTS**

SWITCH POSITION TABLE

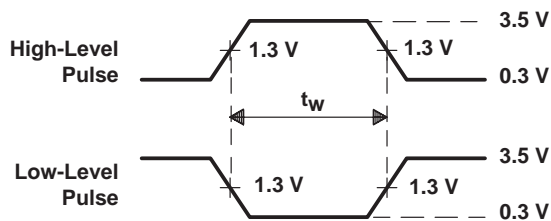
TEST	S1
t_{PLH}	Open
t_{PHL}	Open
t_{PZH}	Open
t_{PZL}	Closed
t_{PHZ}	Open
t_{PLZ}	Closed



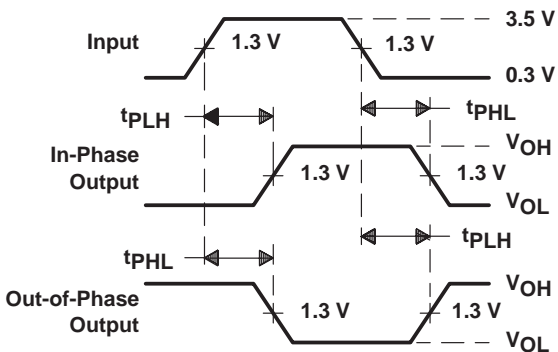
**LOAD CIRCUIT
FOR OPEN-COLLECTOR OUTPUTS**



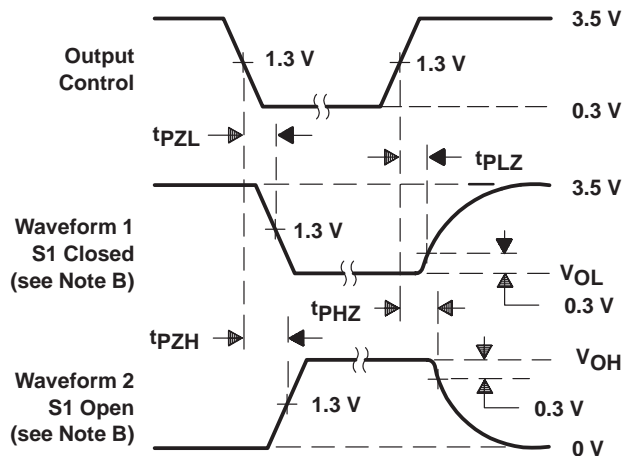
**VOLTAGE WAVEFORMS
SETUP AND HOLD TIMES**



**VOLTAGE WAVEFORMS
PULSE DURATION**



**VOLTAGE WAVEFORMS
PROPAGATION DELAY TIMES**



**VOLTAGE WAVEFORMS
ENABLE AND DISABLE TIMES, 3-STATE OUTPUTS**

- NOTES: A. C_L includes probe and jig capacitance.
B. Waveform 1 is for an output with internal conditions such that the output is low except when disabled by the output control. Waveform 2 is for an output with internal conditions such that the output is high except when disabled by the output control.
C. All input pulses are supplied by generators having the following characteristics: $PRR \leq 1$ MHz, $Z_O = 50 \Omega$, $t_r \leq 2$ ns, $t_f \leq 2$ ns.
D. The outputs are measured one at a time with one transition per measurement.

Figure 2. Load Circuits and Voltage Waveforms

PACKAGING INFORMATION

Orderable Device	Status (1)	Package Type	Package Drawing	Pins	Package Qty	Eco Plan (2)	Lead/Ball Finish (6)	MSL Peak Temp (3)	Op Temp (°C)	Device Marking (4/5)	Samples
5962-8759501LA	ACTIVE	CDIP	JT	24	1	TBD	A42	N / A for Pkg Type	-55 to 125	5962-8759501LA SNJ54AS646JT	Samples
5962-8995601LA	ACTIVE	CDIP	JT	24	1	TBD	A42	N / A for Pkg Type	-55 to 125	5962-8995601LA SNJ54ALS646JT	Samples
5962-9052301LA	ACTIVE	CDIP	JT	24	1	TBD	A42	N / A for Pkg Type	-55 to 125	5962-9052301LA SNJ54ALS648JT	Samples
SN74ALS646ADW	ACTIVE	SOIC	DW	24	25	Green (RoHS & no Sb/Br)	CU NIPDAU	Level-1-260C-UNLIM	0 to 70	ALS646A	Samples
SN74ALS646ADWR	ACTIVE	SOIC	DW	24	2000	Green (RoHS & no Sb/Br)	CU NIPDAU	Level-1-260C-UNLIM	0 to 70	ALS646A	Samples
SN74ALS648ADW	ACTIVE	SOIC	DW	24	25	Green (RoHS & no Sb/Br)	CU NIPDAU	Level-1-260C-UNLIM	0 to 70	ALS648A	Samples
SN74AS646DW	ACTIVE	SOIC	DW	24	25	Green (RoHS & no Sb/Br)	CU NIPDAU	Level-1-260C-UNLIM	0 to 70	AS646	Samples
SNJ54ALS646JT	ACTIVE	CDIP	JT	24	1	TBD	A42	N / A for Pkg Type	-55 to 125	5962-8995601LA SNJ54ALS646JT	Samples
SNJ54ALS648JT	ACTIVE	CDIP	JT	24	1	TBD	A42	N / A for Pkg Type	-55 to 125	5962-9052301LA SNJ54ALS648JT	Samples
SNJ54AS646JT	ACTIVE	CDIP	JT	24	1	TBD	A42	N / A for Pkg Type	-55 to 125	5962-8759501LA SNJ54AS646JT	Samples

(1) The marketing status values are defined as follows:

ACTIVE: Product device recommended for new designs.

LIFEBUY: TI has announced that the device will be discontinued, and a lifetime-buy period is in effect.

NRND: Not recommended for new designs. Device is in production to support existing customers, but TI does not recommend using this part in a new design.

PREVIEW: Device has been announced but is not in production. Samples may or may not be available.

OBsolete: TI has discontinued the production of the device.

(2) **RoHS:** TI defines "RoHS" to mean semiconductor products that are compliant with the current EU RoHS requirements for all 10 RoHS substances, including the requirement that RoHS substance do not exceed 0.1% by weight in homogeneous materials. Where designed to be soldered at high temperatures, "RoHS" products are suitable for use in specified lead-free processes. TI may reference these types of products as "Pb-Free".

RoHS Exempt: TI defines "RoHS Exempt" to mean products that contain lead but are compliant with EU RoHS pursuant to a specific EU RoHS exemption.

Green: TI defines "Green" to mean the content of Chlorine (Cl) and Bromine (Br) based flame retardants meet JS709B low halogen requirements of <=1000ppm threshold. Antimony trioxide based flame retardants must also meet the <=1000ppm threshold requirement.

(3) MSL, Peak Temp. - The Moisture Sensitivity Level rating according to the JEDEC industry standard classifications, and peak solder temperature.

(4) There may be additional marking, which relates to the logo, the lot trace code information, or the environmental category on the device.

(5) Multiple Device Markings will be inside parentheses. Only one Device Marking contained in parentheses and separated by a "~" will appear on a device. If a line is indented then it is a continuation of the previous line and the two combined represent the entire Device Marking for that device.

(6) Lead/Ball Finish - Orderable Devices may have multiple material finish options. Finish options are separated by a vertical ruled line. Lead/Ball Finish values may wrap to two lines if the finish value exceeds the maximum column width.

Important Information and Disclaimer:The information provided on this page represents TI's knowledge and belief as of the date that it is provided. TI bases its knowledge and belief on information provided by third parties, and makes no representation or warranty as to the accuracy of such information. Efforts are underway to better integrate information from third parties. TI has taken and continues to take reasonable steps to provide representative and accurate information but may not have conducted destructive testing or chemical analysis on incoming materials and chemicals. TI and TI suppliers consider certain information to be proprietary, and thus CAS numbers and other limited information may not be available for release.

In no event shall TI's liability arising out of such information exceed the total purchase price of the TI part(s) at issue in this document sold by TI to Customer on an annual basis.

OTHER QUALIFIED VERSIONS OF SN54AS646, SN74AS646 :

- Catalog: [SN74AS646](#)
- Military: [SN54AS646](#)

NOTE: Qualified Version Definitions:

- Catalog - TI's standard catalog product
- Military - QML certified for Military and Defense Applications

TAPE AND REEL INFORMATION



QUADRANT ASSIGNMENTS FOR PIN 1 ORIENTATION IN TAPE



*All dimensions are nominal

Device	Package Type	Package Drawing	Pins	SPQ	Reel Diameter (mm)	Reel Width W1 (mm)	A0 (mm)	B0 (mm)	K0 (mm)	P1 (mm)	W (mm)	Pin1 Quadrant
SN74ALS646ADWR	SOIC	DW	24	2000	330.0	24.4	10.75	15.7	2.7	12.0	24.0	Q1

TAPE AND REEL BOX DIMENSIONS

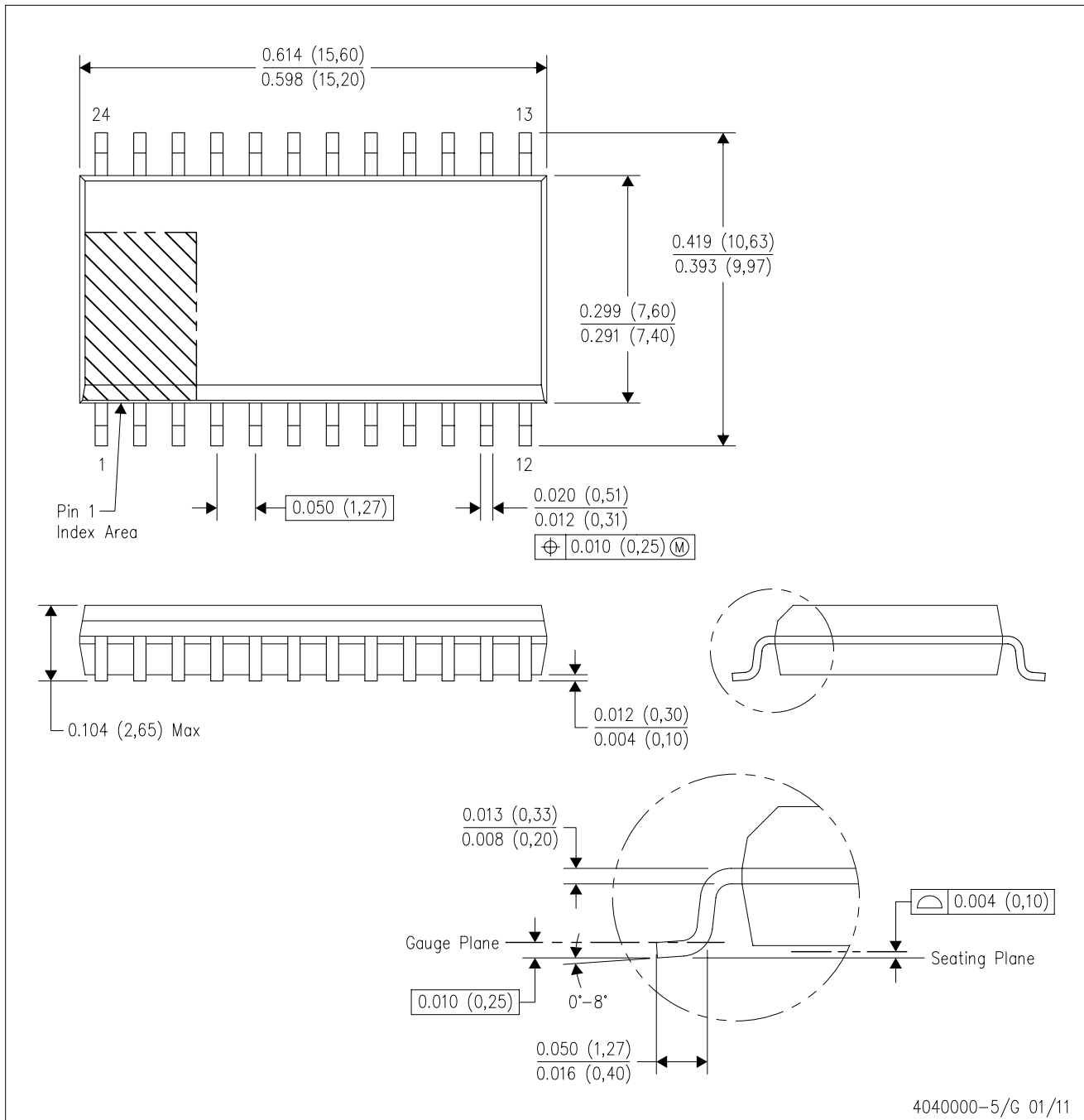


*All dimensions are nominal

Device	Package Type	Package Drawing	Pins	SPQ	Length (mm)	Width (mm)	Height (mm)
SN74ALS646ADWR	SOIC	DW	24	2000	350.0	350.0	43.0

DW (R-PDSO-G24)

PLASTIC SMALL OUTLINE

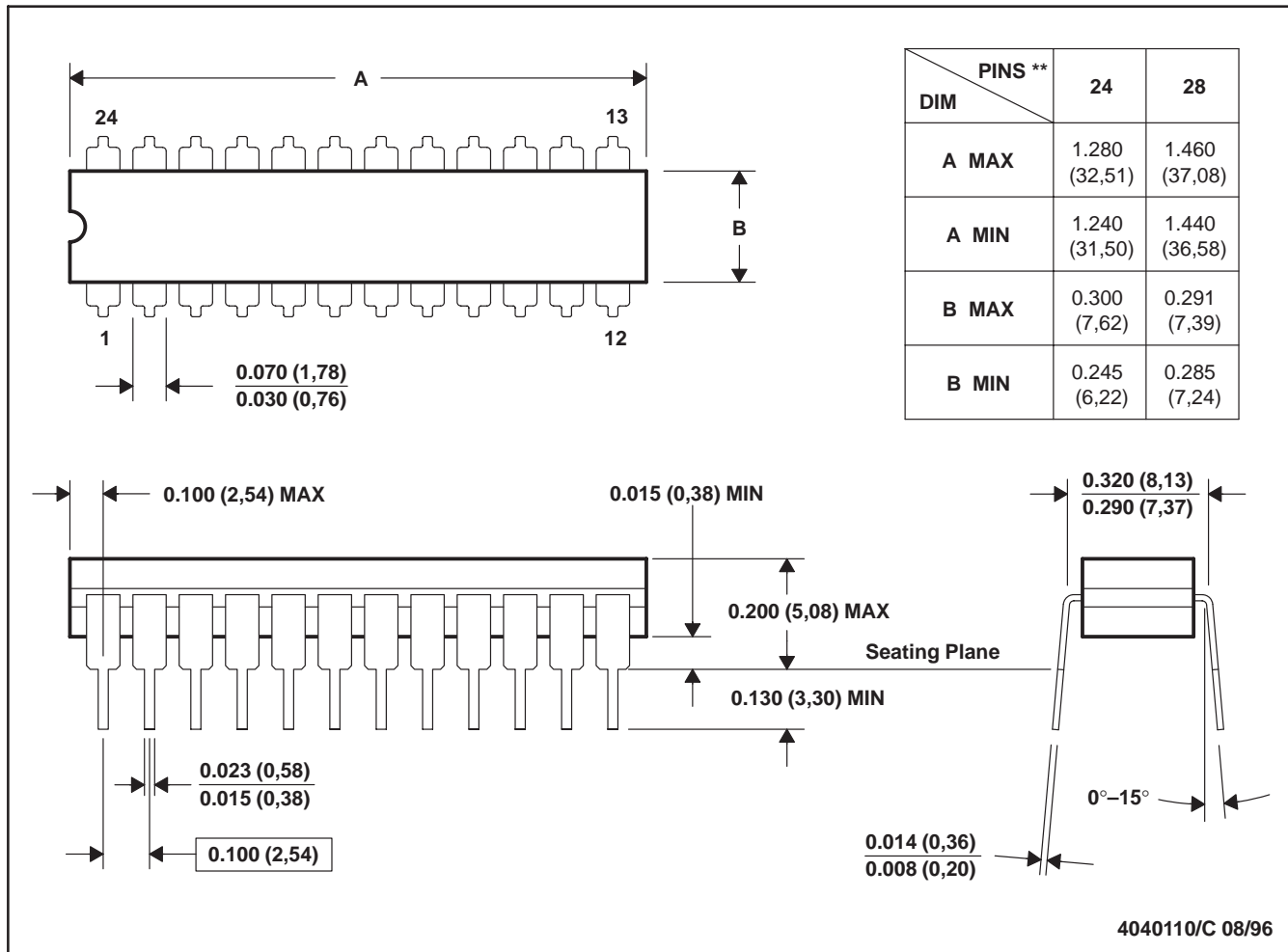


- NOTES:
- A. All linear dimensions are in inches (millimeters). Dimensioning and tolerancing per ASME Y14.5M-1994.
 - B. This drawing is subject to change without notice.
 - C. Body dimensions do not include mold flash or protrusion not to exceed 0.006 (0,15).
 - D. Falls within JEDEC MS-013 variation AD.

JT (R-GDIP-T**)

CERAMIC DUAL-IN-LINE

24 LEADS SHOWN



- NOTES: A. All linear dimensions are in inches (millimeters).
 B. This drawing is subject to change without notice.
 C. This package can be hermetically sealed with a ceramic lid using glass frit.
 D. Index point is provided on cap for terminal identification.
 E. Falls within MIL STD 1835 GDIP3-T24, GDIP4-T28, and JEDEC MO-058 AA, MO-058 AB

IMPORTANT NOTICE AND DISCLAIMER

TI PROVIDES TECHNICAL AND RELIABILITY DATA (INCLUDING DATASHEETS), DESIGN RESOURCES (INCLUDING REFERENCE DESIGNS), APPLICATION OR OTHER DESIGN ADVICE, WEB TOOLS, SAFETY INFORMATION, AND OTHER RESOURCES "AS IS" AND WITH ALL FAULTS, AND DISCLAIMS ALL WARRANTIES, EXPRESS AND IMPLIED, INCLUDING WITHOUT LIMITATION ANY IMPLIED WARRANTIES OF MERCHANTABILITY, FITNESS FOR A PARTICULAR PURPOSE OR NON-INFRINGEMENT OF THIRD PARTY INTELLECTUAL PROPERTY RIGHTS.

These resources are intended for skilled developers designing with TI products. You are solely responsible for (1) selecting the appropriate TI products for your application, (2) designing, validating and testing your application, and (3) ensuring your application meets applicable standards, and any other safety, security, or other requirements. These resources are subject to change without notice. TI grants you permission to use these resources only for development of an application that uses the TI products described in the resource. Other reproduction and display of these resources is prohibited. No license is granted to any other TI intellectual property right or to any third party intellectual property right. TI disclaims responsibility for, and you will fully indemnify TI and its representatives against, any claims, damages, costs, losses, and liabilities arising out of your use of these resources.

TI's products are provided subject to TI's Terms of Sale (www.ti.com/legal/termsofsale.html) or other applicable terms available either on ti.com or provided in conjunction with such TI products. TI's provision of these resources does not expand or otherwise alter TI's applicable warranties or warranty disclaimers for TI products.

Mailing Address: Texas Instruments, Post Office Box 655303, Dallas, Texas 75265
Copyright © 2019, Texas Instruments Incorporated

Looking for pricing, stock, or lifecycle information?

Click below to explore more details on WIN SOURCE:

 [View SN74ALS646ADWRG4 on WIN SOURCE](#)

 [Texas Instruments](#) Information

Optimize Your Supply Chain with WIN SOURCE Solutions

-  Global Sourcing Solution
-  Obsolete Management
-  Cost Control Management
-  Shortage Management
-  Alternative Solution
-  Excess Inventory Management