



**THE DATASHEET OF
SN74AHC374PWR**



SNx4AHC374 Octal Edge-Triggered D-Type Flip-Flops With 3-State Outputs

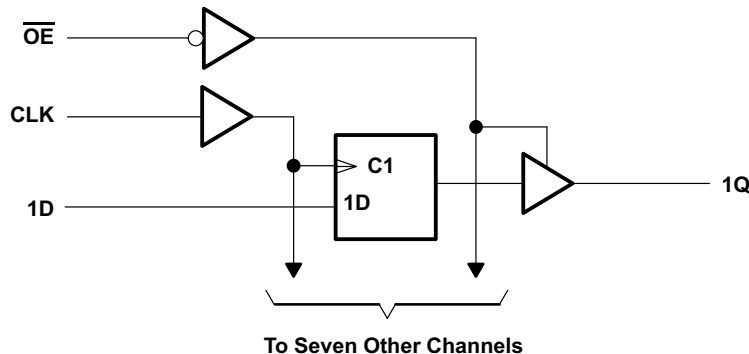
1 Features

- Operating Range 2-V to 5.5-V V_{CC}
- 3-State Outputs Drive Bus Lines Directly
- Latch-Up Performance Exceeds 250 mA Per JESD 17
- On Products Compliant to MIL-PRF-38535, All Parameters Are Tested Unless Otherwise Noted. On All Other Products, Production Processing Does Not Necessarily Include Testing of All Parameters.
- ESD Protection Exceeds JESD 22
 - 2000-V Human-Body Model
 - 200-V Machine Model
 - 1500-V Charged-Device Model

2 Applications

- Printers
- Network Switches
- Tests and Measurements
- Wireless Infrastructure
- Motor Controls
- Server Motherboards

4 Simplified Schematic



3 Description

The SNx4AHC374 devices are octal edge-triggered D-type flip-flops that feature 3-state outputs designed specifically for driving highly capacitive or relatively low-impedance loads. These devices are particularly suitable for implementing buffer registers, I/O ports, bidirectional bus drivers, and working registers.

Device Information⁽¹⁾

| PART NUMBER | PACKAGE | BODY SIZE (NOM) |
|-------------|------------|--------------------|
| SNx4AHC374 | SSOP (20) | 7.50 mm × 5.30 mm |
| | TVSOP (20) | 5.00 mm × 4.40 mm |
| | SOIC (20) | 12.80 mm × 7.50 mm |
| | PDIP (20) | 25.40 mm × 6.35 mm |
| | TSSOP (20) | 6.50 mm × 4.40 mm |

(1) For all available packages, see the orderable addendum at the end of the data sheet.



Table of Contents

| | | | |
|---|----------|--|-----------|
| 1 Features | 1 | 8 Parameter Measurement Information | 9 |
| 2 Applications | 1 | 9 Detailed Description | 10 |
| 3 Description | 1 | 9.1 Overview | 10 |
| 4 Simplified Schematic | 1 | 9.2 Functional Block Diagram | 10 |
| 5 Revision History | 2 | 9.3 Feature Description | 10 |
| 6 Pin Configuration and Functions | 3 | 9.4 Device Functional Modes | 10 |
| 7 Specifications | 4 | 10 Application and Implementation | 11 |
| 7.1 Absolute Maximum Ratings | 4 | 10.1 Application Information | 11 |
| 7.2 ESD Ratings | 4 | 10.2 Typical Application | 11 |
| 7.3 Recommended Operating Conditions | 4 | 11 Power Supply Recommendations | 12 |
| 7.4 Thermal Information | 5 | 12 Layout | 13 |
| 7.5 Electrical Characteristics | 5 | 12.1 Layout Guidelines | 13 |
| 7.6 Timing Requirements, $V_{CC} = 3.3\text{ V} \pm 0.3\text{ V}$ | 5 | 12.2 Layout Example | 13 |
| 7.7 Timing Requirements, $V_{CC} = 5\text{ V} \pm 0.5\text{ V}$ | 6 | 13 Device and Documentation Support | 13 |
| 7.8 Switching Characteristics, $V_{CC} = 3.3\text{ V} \pm 0.3\text{ V}$ | 6 | 13.1 Related Links | 13 |
| 7.9 Switching Characteristics, $V_{CC} = 5\text{ V} \pm 0.5\text{ V}$ | 7 | 13.2 Trademarks | 13 |
| 7.10 Noise Characteristics | 7 | 13.3 Electrostatic Discharge Caution | 13 |
| 7.11 Operating Characteristics | 7 | 13.4 Glossary | 13 |
| 7.12 Typical Characteristics | 8 | 14 Mechanical, Packaging, and Orderable Information | 13 |

5 Revision History

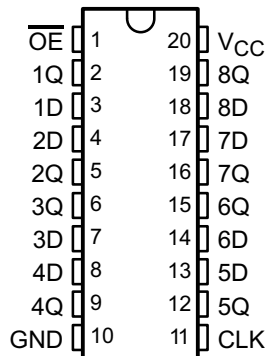
Changes from Revision I (July 2003) to Revision J

Page

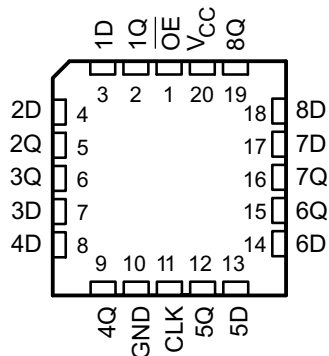
| | |
|--|----------------------|
| <ul style="list-style-type: none"> • Added <i>Applications</i>, <i>Device Information</i> table, <i>Pin Functions</i> table, <i>ESD Ratings</i> table, <i>Thermal Information</i> table, <i>Typical Characteristics</i>, <i>Feature Description</i> section, <i>Device Functional Modes</i>, <i>Application and Implementation</i> section, <i>Power Supply Recommendations</i> section, <i>Layout</i> section, <i>Device and Documentation Support</i> section, and <i>Mechanical, Packaging, and Orderable Information</i> section. • Deleted <i>Ordering Information</i> table. • Added Military Disclaimer to <i>Features</i> list. • Changed MAX operating temperature to 125°C in <i>Recommended Operating Conditions</i> table. | 1 1 1 4 |
|--|----------------------|

6 Pin Configuration and Functions

SN54AHC374 . . . J OR W PACKAGE
SN74AHC374 . . . DB, DGV, DW, N, NS, OR PW PACKAGE
(TOP VIEW)



SN54AHC374 . . . FK PACKAGE
(TOP VIEW)



Pin Functions

| PIN | | TYPE | DESCRIPTION |
|-----|-----------------|------|---------------|
| NO. | NAME | | |
| 1 | \overline{OE} | I | Output Enable |
| 2 | 1Q | O | 1Q Output |
| 3 | 1D | I | 1D Input |
| 4 | 2D | I | 2D Input |
| 5 | 2Q | O | 2Q Output |
| 6 | 3Q | O | 3Q Output |
| 7 | 3D | I | 3D Input |
| 8 | 4D | I | 4D Input |
| 9 | 4Q | O | 4Q Output |
| 10 | GND | — | Ground |
| 11 | CLK | I | Clock Pin |
| 12 | 5Q | O | 5Q Output |
| 13 | 5D | I | 5D Input |
| 14 | 6D | I | 6D Input |
| 15 | 6Q | O | 6Q Output |
| 16 | 7Q | O | 7Q Output |
| 17 | 7D | I | 7D Input |
| 18 | 8D | I | 8D Input |
| 19 | 8Q | O | 8Q Output |
| 20 | V _{CC} | — | Power Pin |

7 Specifications

7.1 Absolute Maximum Ratings⁽¹⁾

over operating free-air temperature range (unless otherwise noted)

| | | MIN | MAX | UNIT |
|--|-------------------------------------|-----------------------------|----------------|------|
| V_{CC} | Supply voltage range | -0.5 | 7 | V |
| V_I | Input voltage range ⁽²⁾ | -0.5 | 7 | V |
| V_O | Output voltage range ⁽²⁾ | -0.5 | $V_{CC} + 0.5$ | V |
| I_{IK} | Input clamp current | $V_I < 0$ | -20 | mA |
| I_{OK} | Output clamp current | $V_O < 0$ or $V_O > V_{CC}$ | ±20 | mA |
| I_O | Continuous output current | $V_O = 0$ to V_{CC} | ±25 | mA |
| Continuous current through V_{CC} or GND | | | ±75 | mA |
| T_{stg} | Storage temperature range | -65 | 150 | °C |

- (1) Stresses beyond those listed under *Absolute Maximum Ratings* may cause permanent damage to the device. These are stress ratings only, and functional operation of the device at these or any other conditions beyond those indicated under *Recommended Operating Conditions* is not implied. Exposure to absolute-maximum-rated conditions for extended periods may affect device reliability.
- (2) The input and output voltage ratings may be exceeded if the input and output current ratings are observed.

7.2 ESD Ratings

| | | VALUE | UNIT |
|--------------------|--|-------|------|
| $V_{(ESD)}$ | Electrostatic discharge | | |
| | Human body model (HBM), per ANSI/ESDA/JEDEC JS-001, all pins ⁽¹⁾ | 2000 | V |
| | Charged device model (CDM), per JEDEC specification JESD22-C101, all pins ⁽²⁾ | 1500 | |
| Machine Model (MM) | 200 | | |

- (1) JEDEC document JEP155 states that 500-V HBM allows safe manufacturing with a standard ESD control process.
- (2) JEDEC document JEP157 states that 250-V CDM allows safe manufacturing with a standard ESD control process.

7.3 Recommended Operating Conditions

 over operating free-air temperature range (unless otherwise noted)⁽¹⁾

| | | SN54AHC374 | | SN74AHC374 | | UNIT |
|---------------------|------------------------------------|--|----------|------------|----------|------|
| | | MIN | MAX | MIN | MAX | |
| V_{CC} | Supply voltage | 2 | 5.5 | 2 | 5.5 | V |
| V_{IH} | High-level input voltage | $V_{CC} = 2\text{ V}$ | 1.5 | 1.5 | | V |
| | | $V_{CC} = 3\text{ V}$ | 2.1 | 2.1 | | |
| | | $V_{CC} = 5.5\text{ V}$ | 3.85 | 3.85 | | |
| V_{IL} | Low-level input voltage | $V_{CC} = 2\text{ V}$ | | 0.5 | 0.5 | V |
| | | $V_{CC} = 3\text{ V}$ | | 0.9 | 0.9 | |
| | | $V_{CC} = 5.5\text{ V}$ | | 1.65 | 1.65 | |
| V_I | Input voltage | 0 | 5.5 | 0 | 5.5 | V |
| V_O | Output voltage | 0 | V_{CC} | 0 | V_{CC} | V |
| I_{OH} | High-level output current | $V_{CC} = 2\text{ V}$ | | -50 | -50 | μA |
| | | $V_{CC} = 3.3\text{ V} \pm 0.3\text{ V}$ | | -4 | -4 | mA |
| | | $V_{CC} = 5\text{ V} \pm 5.5\text{ V}$ | | -8 | -8 | |
| I_{OL} | Low-level output current | $V_{CC} = 2\text{ V}$ | | 50 | 50 | μA |
| | | $V_{CC} = 3.3\text{ V} \pm 0.3\text{ V}$ | | 4 | 4 | mA |
| | | $V_{CC} = 5\text{ V} \pm 5.5\text{ V}$ | | 8 | 8 | |
| $\Delta t/\Delta v$ | Input transition rise or fall rate | $V_{CC} = 3.3\text{ V} \pm 0.3\text{ V}$ | | 100 | 100 | ns/V |
| | | $V_{CC} = 5\text{ V} \pm 5.5\text{ V}$ | | 20 | 20 | |
| T_A | Operating free-air temperature | -55 | 125 | -40 | 125 | °C |

- (1) All unused inputs of the device must be held at V_{CC} or GND to ensure proper device operation. Refer to the TI application report, *Implications of Slow or Floating CMOS Inputs (SCBA004)*.

7.4 Thermal Information

| THERMAL METRIC ⁽¹⁾ | | SN74AHC374 | | | | | | UNIT |
|-------------------------------|--|------------|-------|------|------|------|-------|------|
| | | DB | DGV | DW | N | NS | PW | |
| | | 20 PINS | | | | | | |
| R _{θJA} | Junction-to-ambient thermal resistance | 97.9 | 117.2 | 79.4 | 53.3 | 79.2 | 103.3 | °C/W |
| R _{θJC(top)} | Junction-to-case (top) thermal resistance | 59.6 | 32.7 | 45.7 | 40.0 | 45.7 | 37.8 | |
| R _{θJB} | Junction-to-board thermal resistance | 53.1 | 58.7 | 46.9 | 34.2 | 46.8 | 54.3 | |
| ψ _{JT} | Junction-to-top characterization parameter | 21.3 | 1.15 | 18.7 | 26.4 | 19.3 | 2.9 | |
| ψ _{JB} | Junction-to-board characterization parameter | 52.7 | 58.0 | 46.5 | 34.1 | 46.4 | 53.8 | |

(1) For more information about traditional and new thermal metrics, see the *IC Package Thermal Metrics* application report ([SPRA953](#)).

7.5 Electrical Characteristics

over recommended operating free-air temperature range (unless otherwise noted)

| PARAMETER | TEST CONDITIONS | V _{CC} | T _A = 25°C | | | SN54AHC374 | | SN74AHC374 | | | | UNIT |
|-----------------|--|-----------------|-----------------------|-----|-------|---------------|-------------------|---------------|------|----------------|-----|------|
| | | | | | | –40°C to 85°C | | –40°C to 85°C | | –40°C to 125°C | | |
| | | | MIN | TYP | MAX | MIN | MAX | MIN | MAX | MIN | MAX | |
| V _{OH} | I _{OH} = –50 μA | 2 V | 1.9 | 2 | 1.9 | | 1.9 | | 1.9 | | V | |
| | | 3 V | 2.9 | 3 | 2.9 | | 2.9 | | 2.9 | | | |
| | | 4.5 V | 4.4 | 4.5 | 4.4 | | 4.4 | | 4.4 | | | |
| | I _{OH} = –4 mA | 3 V | 2.58 | | 2.48 | | 2.48 | | 2.48 | | | |
| | I _{OH} = –8 mA | 4.5 V | 3.94 | | 3.8 | | 3.8 | | 3.8 | | | |
| V _{OL} | I _{OL} = 50 μA | 2 V | | | 0.1 | | 0.1 | | 0.1 | | V | |
| | | 3 V | | | 0.1 | | 0.1 | | 0.1 | | | |
| | | 4.5 V | | | 0.1 | | 0.1 | | 0.1 | | | |
| | I _{OL} = 4 mA | 3 V | | | 0.36 | | 0.5 | | 0.44 | | | |
| | I _{OL} = 8 mA | 4.5 V | | | 0.36 | | 0.5 | | 0.44 | | | |
| I _I | V _I = 5.5 V or GND | 0 V to 5.5 V | | | ±0.1 | | ±1 ⁽¹⁾ | | ±1 | | μA | |
| I _{OZ} | V _I = V _{IH} or V _{IL} V _O = V _{CC} or GND | 5.5 V | | | ±0.25 | | ±2.5 | | ±2.5 | | μA | |
| I _{CC} | V _I = V _{CC} or GND, I _O = 0 | 5.5 V | | | 4 | | 40 | | 40 | | μA | |
| C _i | V _I = V _{CC} or GND | 5 V | | | 4 | | | | 10 | | pF | |
| C _o | V _O = V _{CC} or GND | 5 V | | | 6 | | | | | | pF | |

(1) On products compliant to MIL-PRF-38535, this parameter is not production tested at V_{CC} = 0 V.

7.6 Timing Requirements, V_{CC} = 3.3 V ± 0.3 V

over recommended operating free-air temperature range (unless otherwise noted) (see [Figure 3](#))

| PARAMETER | T _A = 25°C | SN54AHC374 | | SN74AHC374 | | | | UNIT | | |
|-----------------|---------------------------------|------------|-----|---------------|-----|---------------|-----|------|----------------|-----|
| | | | | –40°C to 85°C | | –40°C to 85°C | | | –40°C to 125°C | |
| | | MIN | MAX | MIN | MAX | MIN | MAX | | MIN | MAX |
| t _w | Pulse duration, CLK high or low | 5 | | 5.5 | | 5.5 | | 6.5 | | ns |
| t _{su} | Setup time, data before CLK↑ | 4.5 | | 4 | | 4 | | 4.5 | | ns |
| t _h | Hold time, data after CLK↑ | 2 | | 2 | | 2 | | 2.5 | | ns |

7.7 Timing Requirements, $V_{CC} = 5\text{ V} \pm 0.5\text{ V}$

 over recommended operating free-air temperature range (unless otherwise noted) (see [Figure 3](#))

| PARAMETER | $T_A = 25^\circ\text{C}$ | SN54AHC374 | | SN74AHC374 | | | | UNIT |
|---|--------------------------|---------------|-----|---------------|-----|----------------|-----|------|
| | | –40°C to 85°C | | –40°C to 85°C | | –40°C to 125°C | | |
| | | MIN | MAX | MIN | MAX | MIN | MAX | |
| t_w Pulse duration, CLK high or low | 5 | 5 | 5 | 5 | 5.5 | ns | | |
| t_{su} Setup time, data before CLK \uparrow | 3 | 3 | 3 | 3 | 3 | ns | | |
| t_h Hold time, data after CLK \uparrow | 2 | 2 | 2 | 2 | 2 | ns | | |

7.8 Switching Characteristics, $V_{CC} = 3.3\text{ V} \pm 0.3\text{ V}$

 over recommended operating free-air temperature range (unless otherwise noted) (see [Figure 3](#))

| PARAMETER | FROM (INPUT) | TO (OUTPUT) | LOAD CAPACITANCE | $T_A = 25^\circ\text{C}$ | | SN54AHC374 | | SN74AHC374 | | | | UNIT |
|-------------|-----------------|-------------|----------------------|--------------------------|---------------------|------------------|---------------------|---------------|------|----------------|------|------|
| | | | | –40°C to 85°C | | –40°C to 85°C | | –40°C to 85°C | | –40°C to 125°C | | |
| | | | | MIN | TYP | MAX | MIN | MAX | MIN | MAX | MIN | |
| f_{MAX} | | | $C_L = 15\text{ pF}$ | 80 ⁽¹⁾ | 130 ⁽¹⁾ | | 70 ⁽¹⁾ | 70 | 70 | | MHz | |
| | | | $C_L = 50\text{ pF}$ | 55 | 85 | | 50 | 50 | 50 | | | |
| t_{PLH} | CLK | Q | $C_L = 15\text{ pF}$ | 8.1 ⁽¹⁾ | 12.7 ⁽¹⁾ | 1 ⁽¹⁾ | 15 ⁽¹⁾ | 1 | 15 | 1 | 16.5 | ns |
| t_{PHL} | | | | 8.1 ⁽¹⁾ | 12.7 ⁽¹⁾ | 1 ⁽¹⁾ | 15 ⁽¹⁾ | 1 | 15 | 1 | 16.5 | |
| t_{PZH} | \overline{OE} | Q | $C_L = 15\text{ pF}$ | 7.1 ⁽¹⁾ | 11 ⁽¹⁾ | 1 ⁽¹⁾ | 13 ⁽¹⁾ | 1 | 13 | 1 | 14 | ns |
| t_{PZL} | | | | 7.1 ⁽¹⁾ | 11 ⁽¹⁾ | 1 ⁽¹⁾ | 13 ⁽¹⁾ | 1 | 13 | 1 | 14 | |
| t_{PHZ} | \overline{OE} | Q | $C_L = 15\text{ pF}$ | 7.5 ⁽¹⁾ | 10.5 ⁽¹⁾ | 1 ⁽¹⁾ | 12.5 ⁽¹⁾ | 1 | 12.5 | 1 | 13.5 | ns |
| t_{PLZ} | | | | 7.5 ⁽¹⁾ | 10.5 ⁽¹⁾ | 1 ⁽¹⁾ | 12.5 ⁽¹⁾ | 1 | 12.5 | 1 | 13.5 | |
| t_{PLH} | CLK | Q | $C_L = 50\text{ pF}$ | 10.6 | 16.2 | 1 | 18.5 | 1 | 18.5 | 1 | 20 | ns |
| t_{PHL} | | | | 10.6 | 16.2 | 1 | 18.5 | 1 | 18.5 | 1 | 20 | |
| t_{PZH} | \overline{OE} | Q | $C_L = 50\text{ pF}$ | 9.6 | 14.5 | 1 | 16.5 | 1 | 16.5 | 1 | 17.5 | ns |
| t_{PZL} | | | | 9.6 | 14.5 | 1 | 16.5 | 1 | 16.5 | 1 | 17.5 | |
| t_{PHZ} | \overline{OE} | Q | $C_L = 50\text{ pF}$ | 10.2 | 14 | 1 | 16 | 1 | 16 | 1 | 17 | ns |
| t_{PLZ} | | | | 10.2 | 14 | 1 | 16 | 1 | 16 | 1 | 17 | |
| $t_{sk(o)}$ | | | $C_L = 50\text{ pF}$ | | 1.5 ⁽²⁾ | | | | 1.5 | | ns | |

(1) On products compliant to MIL-PRF-38535, this parameter is not production tested.

(2) On products compliant to MIL-PRF-38535, this parameter does not apply.

7.9 Switching Characteristics, $V_{CC} = 5 V \pm 0.5 V$

 over recommended operating free-air temperature range (unless otherwise noted) (see [Figure 3](#))

| PARAMETER | FROM (INPUT) | TO (OUTPUT) | LOAD CAPACITANCE | $T_A = 25^\circ\text{C}$ | | | SN54AHC374 | | SN74AHC374 | | | | UNIT |
|-------------|-----------------|-------------|-----------------------|--------------------------|--------------------|--------------------|--------------------|--------------------|---------------|------|----------------|------|------|
| | | | | | | | –40°C to 85°C | | –40°C to 85°C | | –40°C to 125°C | | |
| | | | | MIN | TYP | MAX | MIN | MAX | MIN | MAX | MIN | MAX | |
| f_{MAX} | | | $C_L = 15 \text{ pF}$ | 130 ⁽¹⁾ | 185 ⁽¹⁾ | | 110 ⁽¹⁾ | | 110 | | 110 | MHz | |
| | | | $C_L = 50 \text{ pF}$ | 85 | 120 | | 75 | | 75 | | 75 | | |
| t_{PLH} | CLK | Q | $C_L = 15 \text{ pF}$ | | 5.4 ⁽¹⁾ | 8.1 ⁽¹⁾ | 1 ⁽¹⁾ | 9.5 ⁽¹⁾ | 1 | 9.5 | 1 | 10.5 | ns |
| t_{PHL} | | | | | 5.4 ⁽¹⁾ | 8.1 ⁽¹⁾ | 1 ⁽¹⁾ | 9.5 ⁽¹⁾ | 1 | 9.5 | 1 | 10.5 | |
| t_{PZH} | \overline{OE} | Q | $C_L = 15 \text{ pF}$ | | 5.1 ⁽¹⁾ | 7.6 ⁽¹⁾ | 1 ⁽¹⁾ | 9 ⁽¹⁾ | 1 | 9 | 1 | 10 | ns |
| t_{PZL} | | | | | 5.1 ⁽¹⁾ | 7.6 ⁽¹⁾ | 1 ⁽¹⁾ | 9 ⁽¹⁾ | 1 | 9 | 1 | 10 | |
| t_{PHZ} | \overline{OE} | Q | $C_L = 15 \text{ pF}$ | | 4.6 ⁽¹⁾ | 6.8 ⁽¹⁾ | 1 ⁽¹⁾ | 8 ⁽¹⁾ | 1 | 8 | 1 | 9 | ns |
| t_{PLZ} | | | | | 4.6 ⁽¹⁾ | 6.8 ⁽¹⁾ | 1 ⁽¹⁾ | 8 ⁽¹⁾ | 1 | 8 | 1 | 9 | |
| t_{PLH} | CLK | Q | $C_L = 50 \text{ pF}$ | | 6.9 | 10.1 | 1 | 11.5 | 1 | 11.5 | 1 | 12.5 | ns |
| t_{PHL} | | | | | 6.9 | 10.1 | 1 | 11.5 | 1 | 11.5 | 1 | 12.5 | |
| t_{PZH} | \overline{OE} | Q | $C_L = 50 \text{ pF}$ | | 6.6 | 9.6 | 1 | 11 | 1 | 11 | 1 | 12 | ns |
| t_{PZL} | | | | | 6.6 | 9.6 | 1 | 11 | 1 | 11 | 1 | 12 | |
| t_{PHZ} | \overline{OE} | Q | $C_L = 50 \text{ pF}$ | | 6.1 | 8.8 | 1 | 10 | 1 | 10 | 1 | 11 | ns |
| t_{PLZ} | | | | | 6.1 | 8.8 | 1 | 10 | 1 | 10 | 1 | 11 | |
| $t_{sk(o)}$ | | | $C_L = 50 \text{ pF}$ | | | 1 ⁽²⁾ | | | | 1 | | 1.5 | ns |

(1) On products compliant to MIL-PRF-38535, this parameter is not production tested.

(2) On products compliant to MIL-PRF-38535, this parameter does not apply.

7.10 Noise Characteristics

 $V_{CC} = 5 V$, $C_L = 50 \text{ pF}$, $T_A = 25^\circ\text{C}$ ⁽¹⁾

| PARAMETER | | SN74AHC374 | | | UNIT |
|-------------|--|------------|------|------|------|
| | | MIN | TYP | MAX | |
| $V_{OL(P)}$ | Quiet output, maximum dynamic V_{OL} | | 0.5 | 1 | V |
| $V_{OL(V)}$ | Quiet output, minimum dynamic V_{OL} | | –0.5 | –0.8 | V |
| $V_{OH(V)}$ | Quiet output, minimum dynamic V_{OH} | | 4 | | V |
| $V_{IH(D)}$ | High-level dynamic input voltage | | 3.5 | | V |
| $V_{IL(D)}$ | Low-level dynamic input voltage | | | 1.5 | V |

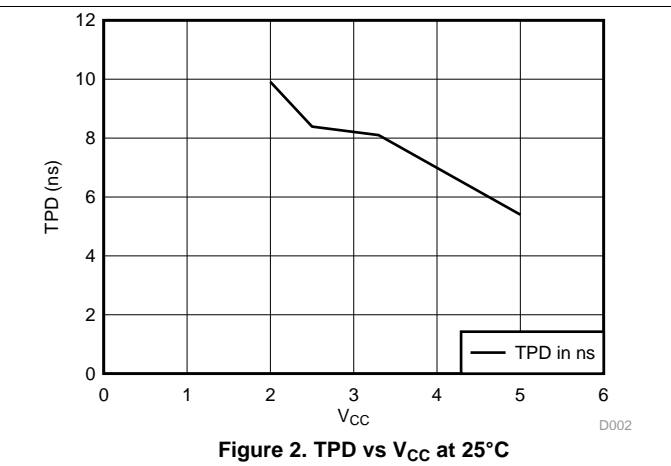
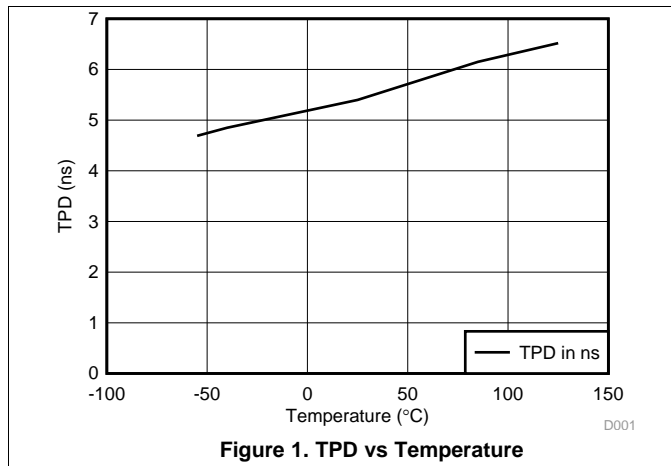
(1) Characteristics are for surface-mount packages only.

7.11 Operating Characteristics

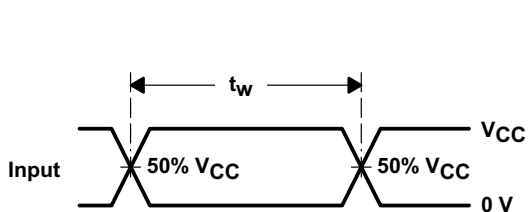
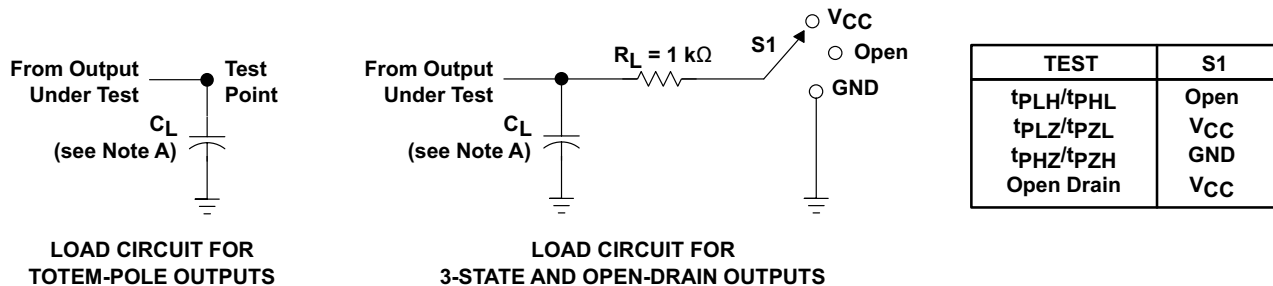
 $V_{CC} = 5 V$, $T_A = 25^\circ\text{C}$

| PARAMETER | TEST CONDITIONS | TYP | UNIT |
|-----------|---|-----|------|
| C_{pd} | Power dissipation capacitance No load, $f = 1 \text{ MHz}$ | 32 | pF |

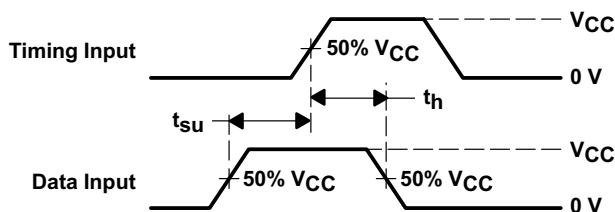
7.12 Typical Characteristics



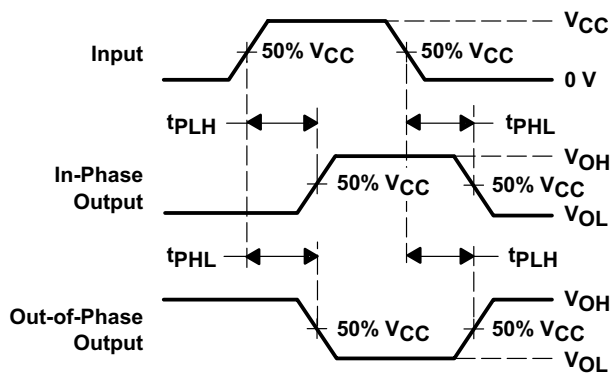
8 Parameter Measurement Information



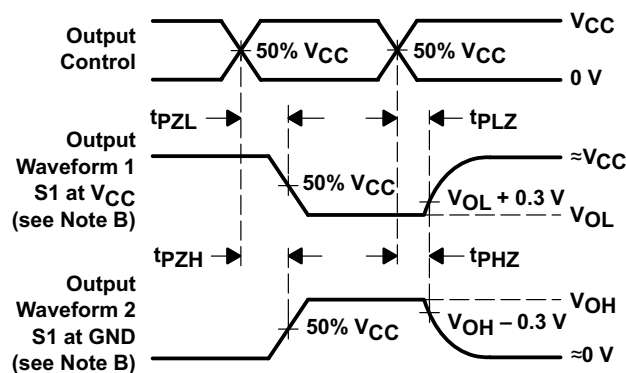
VOLTAGE WAVEFORMS PULSE DURATION



VOLTAGE WAVEFORMS SETUP AND HOLD TIMES



VOLTAGE WAVEFORMS PROPAGATION DELAY TIMES INVERTING AND NONINVERTING OUTPUTS



VOLTAGE WAVEFORMS ENABLE AND DISABLE TIMES LOW- AND HIGH-LEVEL ENABLING

- NOTES: A. C_L includes probe and jig capacitance.
 B. Waveform 1 is for an output with internal conditions such that the output is low except when disabled by the output control. Waveform 2 is for an output with internal conditions such that the output is high except when disabled by the output control.
 C. All input pulses are supplied by generators having the following characteristics: $PRR \leq 1\text{ MHz}$, $Z_O = 50\ \Omega$, $t_r \leq 3\text{ ns}$, $t_f \leq 3\text{ ns}$.
 D. The outputs are measured one at a time with one input transition per measurement.
 E. All parameters and waveforms are not applicable to all devices.

Figure 3. Load Circuit and Voltage Waveforms

9 Detailed Description

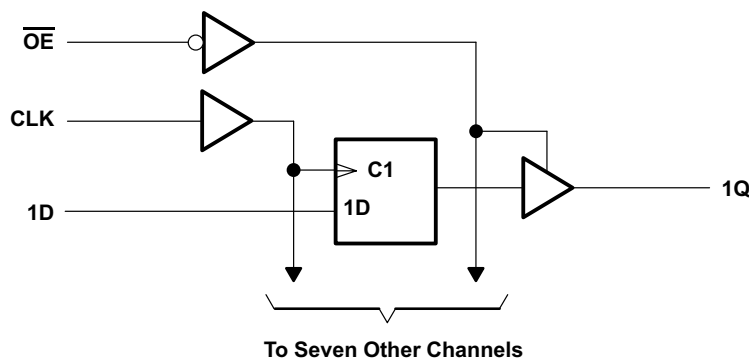
9.1 Overview

The SNx4AHC374 devices are octal edge-triggered D-type flip-flops that feature 3-state outputs designed specifically for driving highly capacitive or relatively low-impedance loads. These devices are particularly suitable for implementing buffer registers, I/O ports, bidirectional bus drivers, and working registers.

On the positive transition of the clock (CLK) input, the Q outputs are set to the logic levels of the data (D) inputs.

A buffered output-enable (\overline{OE}) input can be used to place the eight outputs in either a normal logic state (high or low) or the high-impedance state. In the high-impedance state, the outputs neither load nor drive the bus lines significantly. The high-impedance state and the increased drive provide the capability to drive bus lines without interface or pull-up components.

9.2 Functional Block Diagram



9.3 Feature Description

- Wide operating voltage range
 - Operates from 2 V to 5.5 V
- Allows down-voltage translation
 - Inputs accept voltages to 5.5 V
- Slow edges reduce output ringing

9.4 Device Functional Modes

**Table 1. Function Table
(Each Flip-Flop)**

| INPUTS | | | OUTPUT Q |
|-----------------|--------|---|-------------|
| \overline{OE} | CLK | D | |
| L | ↑ | H | H |
| L | ↑ | L | L |
| L | H or L | X | Q_0 |
| H | X | X | Z |

10 Application and Implementation

NOTE

Information in the following applications sections is not part of the TI component specification, and TI does not warrant its accuracy or completeness. TI's customers are responsible for determining suitability of components for their purposes. Customers should validate and test their design implementation to confirm system functionality.

10.1 Application Information

SNx4AHC374 is a low-drive CMOS device that can be used for a multitude of bus interface type applications where output ringing is a concern. The low drive and slow edge rates will minimize overshoot and undershoot on the outputs. The inputs are tolerant to 5.5 V at any valid V_{CC} . This feature makes it ideal for translating down to the V_{CC} level. Figure 5 shows the reduction in ringing compared to higher drive parts such as AC.

10.2 Typical Application

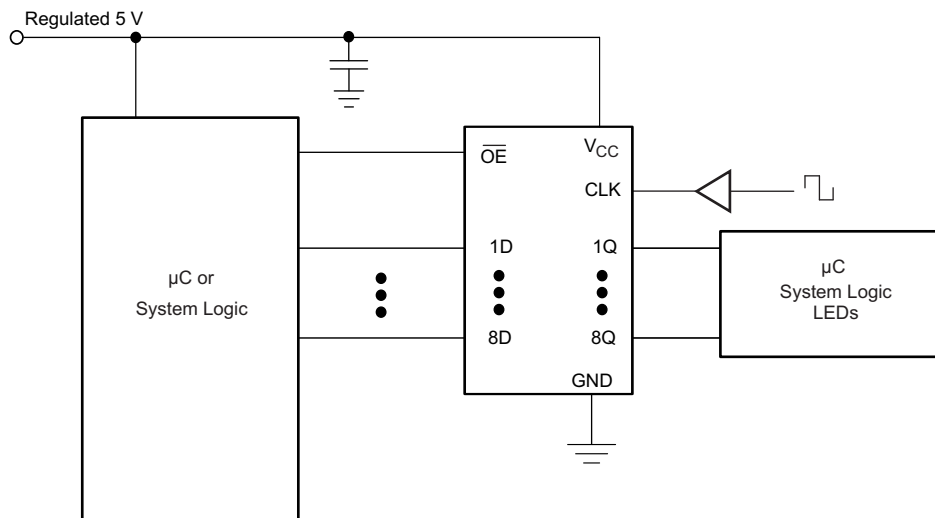


Figure 4. Typical Application Schematic

10.2.1 Design Requirements

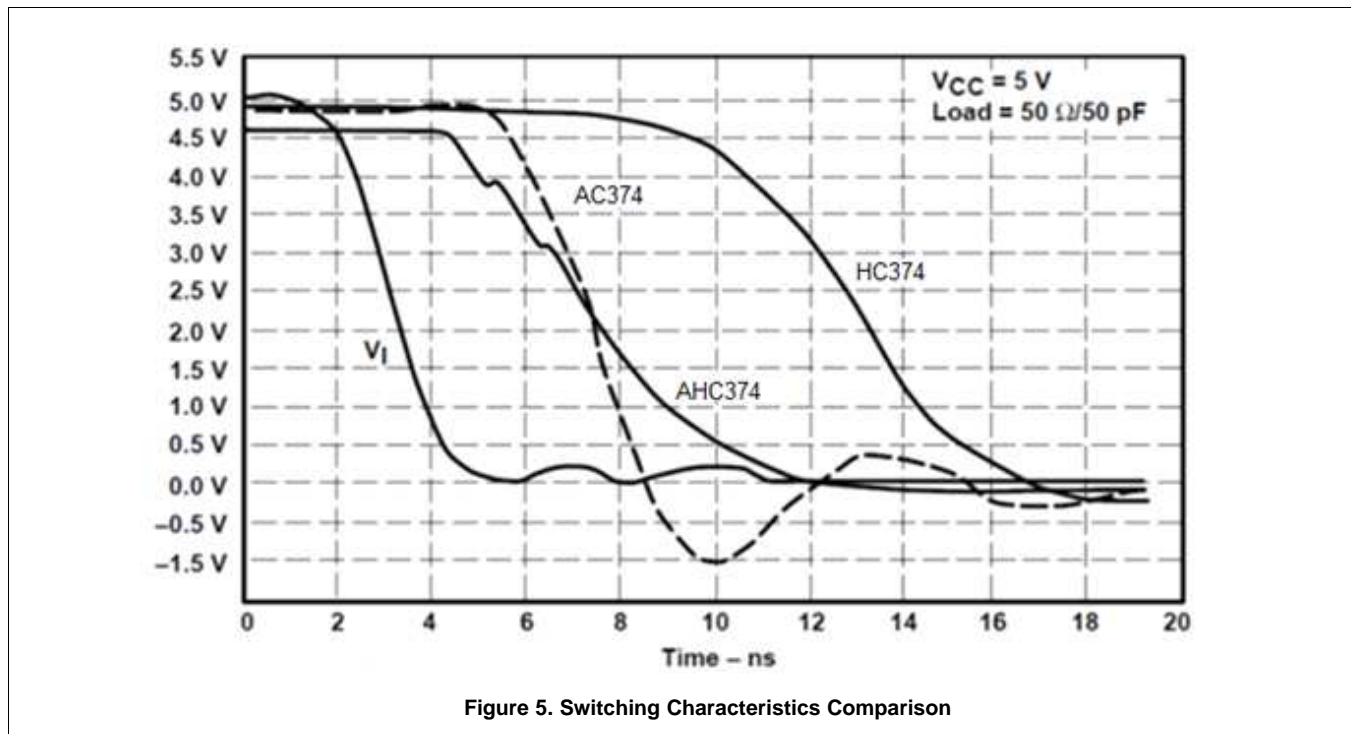
This device uses CMOS technology and has balanced output drive. Care should be taken to avoid bus contention because it can drive currents that would exceed maximum limits. The high drive will also create fast edges into light loads, so routing and load conditions should be considered to prevent ringing.

10.2.2 Detailed Design Procedure

1. Recommended Input Conditions
 - For rise time and fall time specifications, see $\Delta t/\Delta V$ in the [Recommended Operating Conditions](#) table.
 - For specified High and low levels, see V_{IH} and V_{IL} in the [Recommended Operating Conditions](#) table.
 - Inputs are overvoltage tolerant allowing them to go as high as 5.5 V at any valid V_{CC} .
2. Recommend Output Conditions
 - Load currents should not exceed 25 mA per output and 75 mA total for the part.
 - Outputs should not be pulled above V_{CC} .

Typical Application (continued)

10.2.3 Application Curves



11 Power Supply Recommendations

The power supply can be any voltage between the MIN and MAX supply voltage rating located in the [Recommended Operating Conditions](#) table.

Each V_{CC} pin should have a good bypass capacitor to prevent power disturbance. For devices with a single supply, 0.1 μF is recommended. If there are multiple V_{CC} pins, 0.01 μF or 0.022 μF is recommended for each power pin. It is acceptable to parallel multiple bypass caps to reject different frequencies of noise. A 0.1 μF and 1 μF are commonly used in parallel. The bypass capacitor should be installed as close to the power pin as possible for best results.

12 Layout

12.1 Layout Guidelines

When using multiple bit logic devices, inputs should not float. In many cases, functions or parts of functions of digital logic devices are unused. Some examples are when only two inputs of a triple-input AND gate are used, or when only 3 of the 4-buffer gates are used. Such input pins should not be left unconnected because the undefined voltages at the outside connections result in undefined operational states.

Specified in Figure 6 are rules that must be observed under all circumstances. All unused inputs of digital logic devices must be connected to a high or low bias to prevent them from floating. The logic level that should be applied to any particular unused input depends on the function of the device. Generally they will be tied to GND or V_{CC} , whichever makes more sense or is more convenient. It is acceptable to float outputs unless the part is a transceiver. If the transceiver has an output enable pin, it will disable the outputs section of the part when asserted. This will not disable the input section of the I/Os so they also cannot float when disabled.

12.2 Layout Example

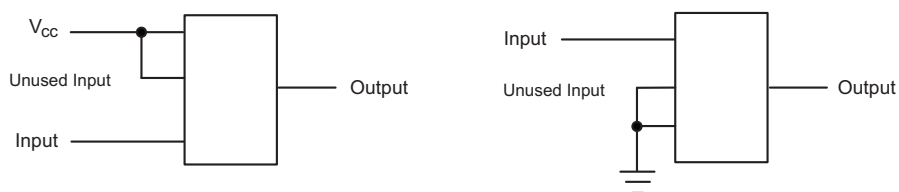


Figure 6. Layout Diagram

13 Device and Documentation Support

13.1 Related Links

The table below lists quick access links. Categories include technical documents, support and community resources, tools and software, and quick access to sample or buy.

Table 2. Related Links

| PARTS | PRODUCT FOLDER | SAMPLE & BUY | TECHNICAL DOCUMENTS | TOOLS & SOFTWARE | SUPPORT & COMMUNITY |
|------------|----------------------------|----------------------------|----------------------------|----------------------------|----------------------------|
| SN54AHC374 | Click here | Click here | Click here | Click here | Click here |
| SN74AHC374 | Click here | Click here | Click here | Click here | Click here |

13.2 Trademarks

All trademarks are the property of their respective owners.

13.3 Electrostatic Discharge Caution



These devices have limited built-in ESD protection. The leads should be shorted together or the device placed in conductive foam during storage or handling to prevent electrostatic damage to the MOS gates.

13.4 Glossary

[SLYZ022](#) — TI Glossary.

This glossary lists and explains terms, acronyms, and definitions.

14 Mechanical, Packaging, and Orderable Information

The following pages include mechanical, packaging, and orderable information. This information is the most current data available for the designated devices. This data is subject to change without notice and revision of this document. For browser-based versions of this data sheet, refer to the left-hand navigation.

PACKAGING INFORMATION

| Orderable Device | Status (1) | Package Type | Package Drawing | Pins | Package Qty | Eco Plan (2) | Lead/Ball Finish (6) | MSL Peak Temp (3) | Op Temp (°C) | Device Marking (4/5) | Samples |
|------------------|---------------|--------------|-----------------|------|-------------|----------------------------|-------------------------|----------------------|--------------|--------------------------------------|-------------------------|
| 5962-9686401Q2A | ACTIVE | LCCC | FK | 20 | 1 | TBD | POST-PLATE | N / A for Pkg Type | -55 to 125 | 5962-9686401Q2A SNJ54AHC 374FK | Samples |
| 5962-9686401QRA | ACTIVE | CDIP | J | 20 | 1 | TBD | A42 | N / A for Pkg Type | -55 to 125 | 5962-9686401QR A SNJ54AHC374J | Samples |
| 5962-9686401QSA | ACTIVE | CFP | W | 20 | 1 | TBD | A42 | N / A for Pkg Type | -55 to 125 | 5962-9686401QS A SNJ54AHC374W | Samples |
| SN74AHC374DBR | ACTIVE | SSOP | DB | 20 | 2000 | Green (RoHS & no Sb/Br) | CU NIPDAU | Level-1-260C-UNLIM | -40 to 125 | HA374 | Samples |
| SN74AHC374DBRG4 | ACTIVE | SSOP | DB | 20 | 2000 | Green (RoHS & no Sb/Br) | CU NIPDAU | Level-1-260C-UNLIM | -40 to 125 | HA374 | Samples |
| SN74AHC374DW | ACTIVE | SOIC | DW | 20 | 25 | Green (RoHS & no Sb/Br) | CU NIPDAU | Level-1-260C-UNLIM | -40 to 125 | AHC374 | Samples |
| SN74AHC374DWR | ACTIVE | SOIC | DW | 20 | 2000 | Green (RoHS & no Sb/Br) | CU NIPDAU | Level-1-260C-UNLIM | -40 to 125 | AHC374 | Samples |
| SN74AHC374N | ACTIVE | PDIP | N | 20 | 20 | Pb-Free (RoHS) | CU NIPDAU | N / A for Pkg Type | -40 to 125 | SN74AHC374N | Samples |
| SN74AHC374NSR | ACTIVE | SO | NS | 20 | 2000 | Green (RoHS & no Sb/Br) | CU NIPDAU | Level-1-260C-UNLIM | -40 to 125 | AHC374 | Samples |
| SN74AHC374PW | ACTIVE | TSSOP | PW | 20 | 70 | Green (RoHS & no Sb/Br) | CU NIPDAU | Level-1-260C-UNLIM | -40 to 125 | HA374 | Samples |
| SN74AHC374PWE4 | ACTIVE | TSSOP | PW | 20 | 70 | Green (RoHS & no Sb/Br) | CU NIPDAU | Level-1-260C-UNLIM | -40 to 125 | HA374 | Samples |
| SN74AHC374PWR | ACTIVE | TSSOP | PW | 20 | 2000 | Green (RoHS & no Sb/Br) | CU NIPDAU | Level-1-260C-UNLIM | -40 to 125 | HA374 | Samples |
| SN74AHC374PWRG4 | ACTIVE | TSSOP | PW | 20 | 2000 | Green (RoHS & no Sb/Br) | CU NIPDAU | Level-1-260C-UNLIM | -40 to 125 | HA374 | Samples |
| SNJ54AHC374FK | ACTIVE | LCCC | FK | 20 | 1 | TBD | POST-PLATE | N / A for Pkg Type | -55 to 125 | 5962-9686401Q2A SNJ54AHC 374FK | Samples |

| Orderable Device | Status (1) | Package Type | Package Drawing | Pins | Package Qty | Eco Plan (2) | Lead/Ball Finish (6) | MSL Peak Temp (3) | Op Temp (°C) | Device Marking (4/5) | Samples |
|------------------|---------------|--------------|-----------------|------|-------------|-----------------|-------------------------|----------------------|--------------|-------------------------------------|----------------|
| SNJ54AHC374J | ACTIVE | CDIP | J | 20 | 1 | TBD | A42 | N / A for Pkg Type | -55 to 125 | 5962-9686401QR A SNJ54AHC374J | Samples |
| SNJ54AHC374W | ACTIVE | CFP | W | 20 | 1 | TBD | A42 | N / A for Pkg Type | -55 to 125 | 5962-9686401QS A SNJ54AHC374W | Samples |

(1) The marketing status values are defined as follows:

ACTIVE: Product device recommended for new designs.

LIFEBUY: TI has announced that the device will be discontinued, and a lifetime-buy period is in effect.

NRND: Not recommended for new designs. Device is in production to support existing customers, but TI does not recommend using this part in a new design.

PREVIEW: Device has been announced but is not in production. Samples may or may not be available.

OBSOLETE: TI has discontinued the production of the device.

(2) **RoHS:** TI defines "RoHS" to mean semiconductor products that are compliant with the current EU RoHS requirements for all 10 RoHS substances, including the requirement that RoHS substance do not exceed 0.1% by weight in homogeneous materials. Where designed to be soldered at high temperatures, "RoHS" products are suitable for use in specified lead-free processes. TI may reference these types of products as "Pb-Free".

RoHS Exempt: TI defines "RoHS Exempt" to mean products that contain lead but are compliant with EU RoHS pursuant to a specific EU RoHS exemption.

Green: TI defines "Green" to mean the content of Chlorine (Cl) and Bromine (Br) based flame retardants meet JS709B low halogen requirements of <=100ppm threshold. Antimony trioxide based flame retardants must also meet the <=1000ppm threshold requirement.

(3) MSL, Peak Temp. - The Moisture Sensitivity Level rating according to the JEDEC industry standard classifications, and peak solder temperature.

(4) There may be additional marking, which relates to the logo, the lot trace code information, or the environmental category on the device.

(5) Multiple Device Markings will be inside parentheses. Only one Device Marking contained in parentheses and separated by a "~" will appear on a device. If a line is indented then it is a continuation of the previous line and the two combined represent the entire Device Marking for that device.

(6) Lead/Ball Finish - Orderable Devices may have multiple material finish options. Finish options are separated by a vertical ruled line. Lead/Ball Finish values may wrap to two lines if the finish value exceeds the maximum column width.

Important Information and Disclaimer:The information provided on this page represents TI's knowledge and belief as of the date that it is provided. TI bases its knowledge and belief on information provided by third parties, and makes no representation or warranty as to the accuracy of such information. Efforts are underway to better integrate information from third parties. TI has taken and continues to take reasonable steps to provide representative and accurate information but may not have conducted destructive testing or chemical analysis on incoming materials and chemicals. TI and TI suppliers consider certain information to be proprietary, and thus CAS numbers and other limited information may not be available for release.

In no event shall TI's liability arising out of such information exceed the total purchase price of the TI part(s) at issue in this document sold by TI to Customer on an annual basis.

OTHER QUALIFIED VERSIONS OF SN54AHC374, SN74AHC374 :

- Catalog: [SN74AHC374](#)
- Military: [SN54AHC374](#)

NOTE: Qualified Version Definitions:

- Catalog - TI's standard catalog product
- Military - QML certified for Military and Defense Applications

TAPE AND REEL INFORMATION

QUADRANT ASSIGNMENTS FOR PIN 1 ORIENTATION IN TAPE


*All dimensions are nominal

| Device | Package Type | Package Drawing | Pins | SPQ | Reel Diameter (mm) | Reel Width W1 (mm) | A0 (mm) | B0 (mm) | K0 (mm) | P1 (mm) | W (mm) | Pin1 Quadrant |
|---------------|--------------|-----------------|------|------|--------------------|--------------------|---------|---------|---------|---------|--------|---------------|
| SN74AHC374DBR | SSOP | DB | 20 | 2000 | 330.0 | 16.4 | 8.2 | 7.5 | 2.5 | 12.0 | 16.0 | Q1 |
| SN74AHC374DWR | SOIC | DW | 20 | 2000 | 330.0 | 24.4 | 10.8 | 13.3 | 2.7 | 12.0 | 24.0 | Q1 |
| SN74AHC374NSR | SO | NS | 20 | 2000 | 330.0 | 24.4 | 8.4 | 13.0 | 2.5 | 12.0 | 24.0 | Q1 |
| SN74AHC374PWR | TSSOP | PW | 20 | 2000 | 330.0 | 16.4 | 6.95 | 7.1 | 1.6 | 8.0 | 16.0 | Q1 |

TAPE AND REEL BOX DIMENSIONS


*All dimensions are nominal

| Device | Package Type | Package Drawing | Pins | SPQ | Length (mm) | Width (mm) | Height (mm) |
|---------------|--------------|-----------------|------|------|-------------|------------|-------------|
| SN74AHC374DBR | SSOP | DB | 20 | 2000 | 367.0 | 367.0 | 38.0 |
| SN74AHC374DWR | SOIC | DW | 20 | 2000 | 367.0 | 367.0 | 45.0 |
| SN74AHC374NSR | SO | NS | 20 | 2000 | 367.0 | 367.0 | 45.0 |
| SN74AHC374PWR | TSSOP | PW | 20 | 2000 | 367.0 | 367.0 | 38.0 |

FK (S-CQCC-N**)

LEADLESS CERAMIC CHIP CARRIER

28 TERMINAL SHOWN



| NO. OF TERMINALS ** | A | | B | |
|---------------------|------------------|------------------|------------------|------------------|
| | MIN | MAX | MIN | MAX |
| 20 | 0.342 (8,69) | 0.358 (9,09) | 0.307 (7,80) | 0.358 (9,09) |
| 28 | 0.442 (11,23) | 0.458 (11,63) | 0.406 (10,31) | 0.458 (11,63) |
| 44 | 0.640 (16,26) | 0.660 (16,76) | 0.495 (12,58) | 0.560 (14,22) |
| 52 | 0.740 (18,78) | 0.761 (19,32) | 0.495 (12,58) | 0.560 (14,22) |
| 68 | 0.938 (23,83) | 0.962 (24,43) | 0.850 (21,6) | 0.858 (21,8) |
| 84 | 1.141 (28,99) | 1.165 (29,59) | 1.047 (26,6) | 1.063 (27,0) |



4040140/D 01/11

- NOTES:
- All linear dimensions are in inches (millimeters).
 - This drawing is subject to change without notice.
 - This package can be hermetically sealed with a metal lid.
 - Falls within JEDEC MS-004

MECHANICAL DATA

NS (R-PDSO-G**)

PLASTIC SMALL-OUTLINE PACKAGE

14-PINS SHOWN



- NOTES:
- A. All linear dimensions are in millimeters.
 - B. This drawing is subject to change without notice.
 - C. Body dimensions do not include mold flash or protrusion, not to exceed 0,15.

J (R-GDIP-T**)

14 LEADS SHOWN

CERAMIC DUAL IN-LINE PACKAGE



| DIM \ PINS ** | 14 | 16 | 18 | 20 |
|---------------|------------------------|------------------------|------------------------|------------------------|
| A | 0.300 (7,62) BSC | 0.300 (7,62) BSC | 0.300 (7,62) BSC | 0.300 (7,62) BSC |
| B MAX | 0.785 (19,94) | .840 (21,34) | 0.960 (24,38) | 1.060 (26,92) |
| B MIN | — | — | — | — |
| C MAX | 0.300 (7,62) | 0.300 (7,62) | 0.310 (7,87) | 0.300 (7,62) |
| C MIN | 0.245 (6,22) | 0.245 (6,22) | 0.220 (5,59) | 0.245 (6,22) |



4040083/F 03/03



- NOTES:
- All linear dimensions are in inches (millimeters).
 - This drawing is subject to change without notice.
 - This package is hermetically sealed with a ceramic lid using glass frit.
 - Index point is provided on cap for terminal identification only on press ceramic glass frit seal only.
 - Falls within MIL STD 1835 GDIP1-T14, GDIP1-T16, GDIP1-T18 and GDIP1-T20.

PW (R-PDSO-G20)

PLASTIC SMALL OUTLINE



4040064-5/G 02/11

- NOTES:
- A. All linear dimensions are in millimeters. Dimensioning and tolerancing per ASME Y14.5M-1994.
 - B. This drawing is subject to change without notice.
 -  Body length does not include mold flash, protrusions, or gate burrs. Mold flash, protrusions, or gate burrs shall not exceed 0,15 each side.
 -  Body width does not include interlead flash. Interlead flash shall not exceed 0,25 each side.
 - E. Falls within JEDEC MO-153

PW (R-PDSO-G20)

PLASTIC SMALL OUTLINE



- NOTES:
- A. All linear dimensions are in millimeters.
 - B. This drawing is subject to change without notice.
 - C. Publication IPC-7351 is recommended for alternate design.
 - D. Laser cutting apertures with trapezoidal walls and also rounding corners will offer better paste release. Customers should contact their board assembly site for stencil design recommendations. Refer to IPC-7525 for other stencil recommendations.
 - E. Customers should contact their board fabrication site for solder mask tolerances between and around signal pads.

N (R-PDIP-T**)

PLASTIC DUAL-IN-LINE PACKAGE

16 PINS SHOWN



- NOTES:
- A. All linear dimensions are in inches (millimeters).
 - B. This drawing is subject to change without notice.
 - Falls within JEDEC MS-001, except 18 and 20 pin minimum body length (Dim A).
 - The 20 pin end lead shoulder width is a vendor option, either half or full width.

DW0020A



PACKAGE OUTLINE

SOIC - 2.65 mm max height

SOIC



NOTES:

1. All linear dimensions are in millimeters. Dimensions in parenthesis are for reference only. Dimensioning and tolerancing per ASME Y14.5M.
2. This drawing is subject to change without notice.
3. This dimension does not include mold flash, protrusions, or gate burrs. Mold flash, protrusions, or gate burrs shall not exceed 0.15 mm per side.
4. This dimension does not include interlead flash. Interlead flash shall not exceed 0.43 mm per side.
5. Reference JEDEC registration MS-013.

EXAMPLE BOARD LAYOUT

DW0020A

SOIC - 2.65 mm max height

SOIC



LAND PATTERN EXAMPLE
SCALE:6X



SOLDER MASK DETAILS

4220724/A 05/2016

NOTES: (continued)

- 6. Publication IPC-7351 may have alternate designs.
- 7. Solder mask tolerances between and around signal pads can vary based on board fabrication site.

EXAMPLE STENCIL DESIGN

DW0020A

SOIC - 2.65 mm max height

SOIC



SOLDER PASTE EXAMPLE
BASED ON 0.125 mm THICK STENCIL
SCALE:6X

4220724/A 05/2016

NOTES: (continued)

8. Laser cutting apertures with trapezoidal walls and rounded corners may offer better paste release. IPC-7525 may have alternate design recommendations.
9. Board assembly site may have different recommendations for stencil design.

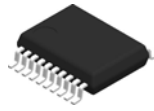
W (R-GDFP-F20)

CERAMIC DUAL FLATPACK



- NOTES:
- A. All linear dimensions are in inches (millimeters).
 - B. This drawing is subject to change without notice.
 - C. This package can be hermetically sealed with a ceramic lid using glass frit.
 - D. Index point is provided on cap for terminal identification only.
 - E. Falls within Mil-Std 1835 GDFP2-F20

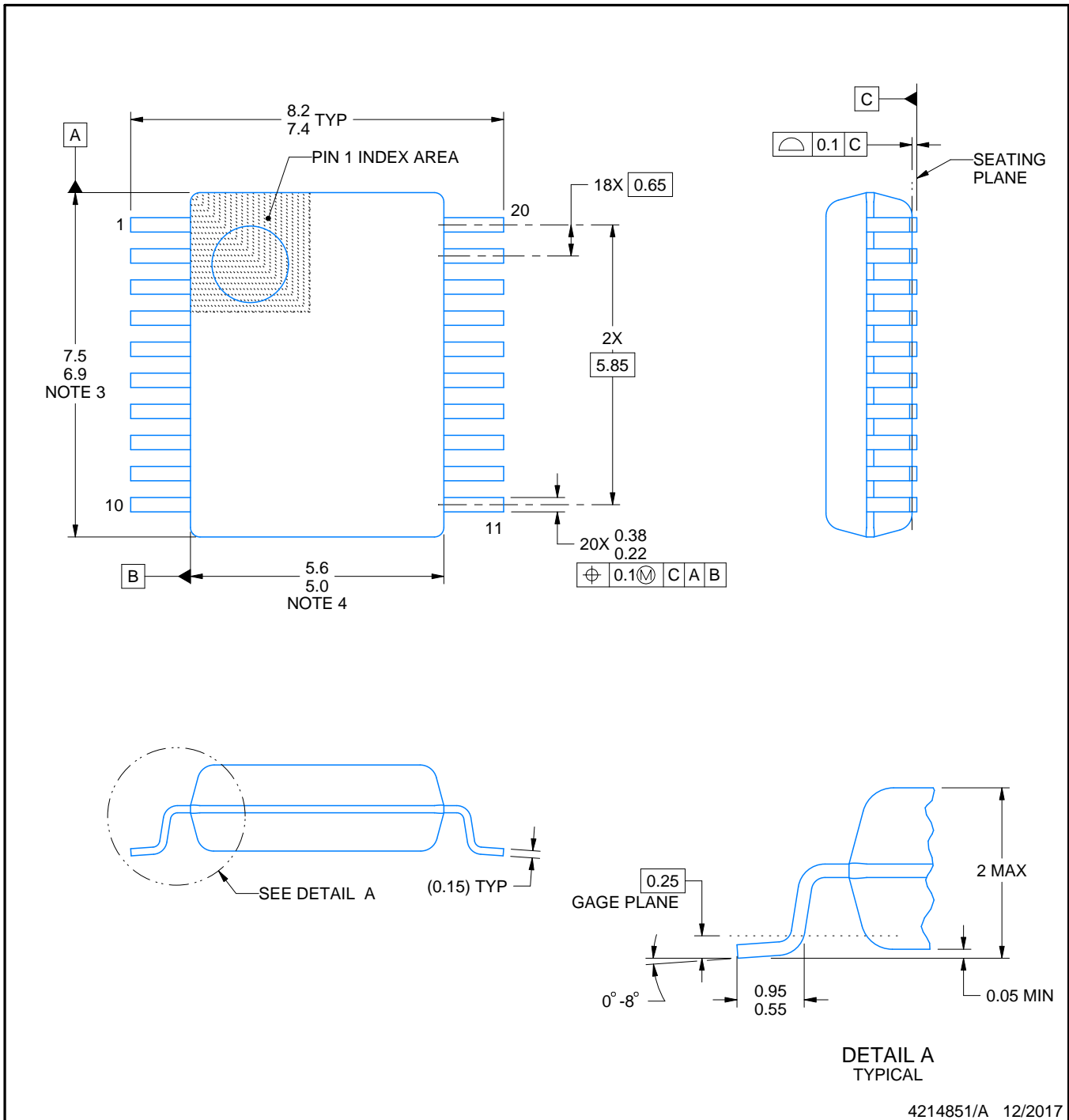
DB0020A



PACKAGE OUTLINE

TSSOP - 2 mm max height

SMALL OUTLINE PACKAGE



4214851/A 12/2017

NOTES:

1. All linear dimensions are in millimeters. Any dimensions in parenthesis are for reference only. Dimensioning and tolerancing per ASME Y14.5M.
2. This drawing is subject to change without notice.
3. This dimension does not include mold flash, protrusions, or gate burrs. Mold flash, protrusions, or gate burrs shall not exceed 0.15 mm per side.
4. This dimension does not include interlead flash. Interlead flash shall not exceed 0.25 mm per side.
5. Reference JEDEC registration MO-150.

EXAMPLE BOARD LAYOUT

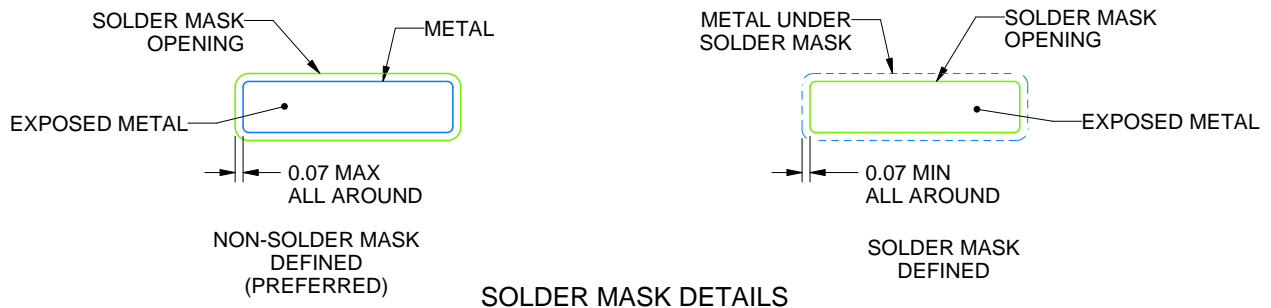
DB0020A

TSSOP - 2 mm max height

SMALL OUTLINE PACKAGE



LAND PATTERN EXAMPLE
EXPOSED METAL SHOWN
SCALE: 10X



SOLDER MASK DETAILS

4214851/A 12/2017

NOTES: (continued)

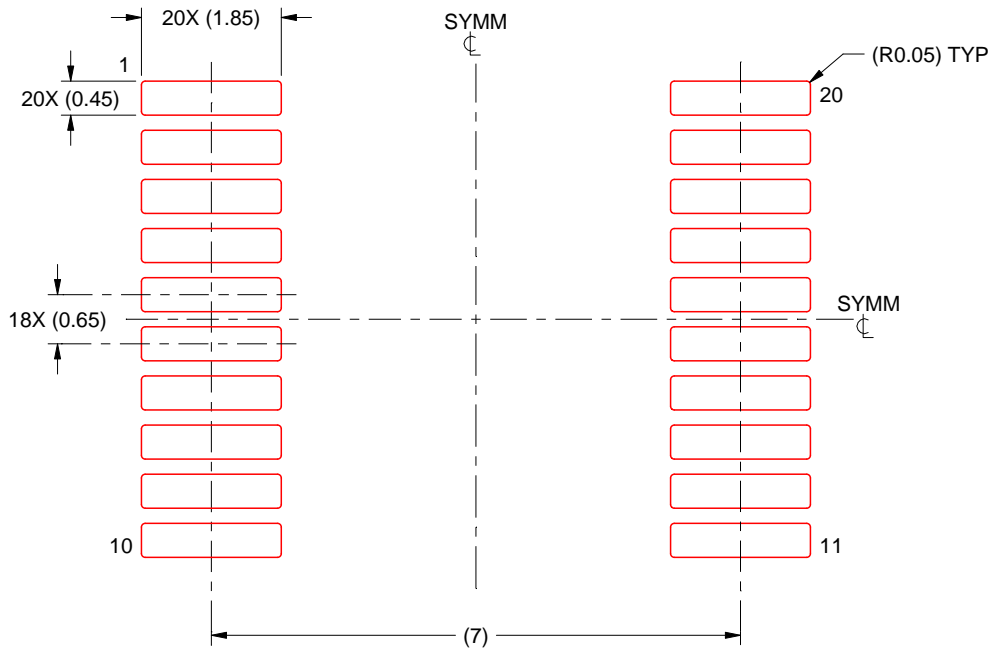
- 6. Publication IPC-7351 may have alternate designs.
- 7. Solder mask tolerances between and around signal pads can vary based on board fabrication site.

EXAMPLE STENCIL DESIGN

DB0020A

TSSOP - 2 mm max height

SMALL OUTLINE PACKAGE



SOLDER PASTE EXAMPLE
BASED ON 0.125 mm THICK STENCIL
SCALE: 10X

4214851/A 12/2017

NOTES: (continued)

8. Laser cutting apertures with trapezoidal walls and rounded corners may offer better paste release. IPC-7525 may have alternate design recommendations.
9. Board assembly site may have different recommendations for stencil design.

IMPORTANT NOTICE AND DISCLAIMER

TI PROVIDES TECHNICAL AND RELIABILITY DATA (INCLUDING DATASHEETS), DESIGN RESOURCES (INCLUDING REFERENCE DESIGNS), APPLICATION OR OTHER DESIGN ADVICE, WEB TOOLS, SAFETY INFORMATION, AND OTHER RESOURCES "AS IS" AND WITH ALL FAULTS, AND DISCLAIMS ALL WARRANTIES, EXPRESS AND IMPLIED, INCLUDING WITHOUT LIMITATION ANY IMPLIED WARRANTIES OF MERCHANTABILITY, FITNESS FOR A PARTICULAR PURPOSE OR NON-INFRINGEMENT OF THIRD PARTY INTELLECTUAL PROPERTY RIGHTS.



These resources are intended for skilled developers designing with TI products. You are solely responsible for (1) selecting the appropriate TI products for your application, (2) designing, validating and testing your application, and (3) ensuring your application meets applicable standards, and any other safety, security, or other requirements. These resources are subject to change without notice. TI grants you permission to use these resources only for development of an application that uses the TI products described in the resource. Other reproduction and display of these resources is prohibited. No license is granted to any other TI intellectual property right or to any third party intellectual property right. TI disclaims responsibility for, and you will fully indemnify TI and its representatives against, any claims, damages, costs, losses, and liabilities arising out of your use of these resources.

TI's products are provided subject to TI's Terms of Sale (www.ti.com/legal/termsofsale.html) or other applicable terms available either on ti.com or provided in conjunction with such TI products. TI's provision of these resources does not expand or otherwise alter TI's applicable warranties or warranty disclaimers for TI products.

Mailing Address: Texas Instruments, Post Office Box 655303, Dallas, Texas 75265
Copyright © 2019, Texas Instruments Incorporated

Looking for pricing, stock, or lifecycle information?

Click below to explore more details on WIN SOURCE:

-  [View SN74AHC374PWR on WIN SOURCE](#)
-  [Texas Instruments](#) Information

Optimize Your Supply Chain with WIN SOURCE Solutions

-  Global Sourcing Solution
-  Obsolete Management
-  Cost Control Management
-  Shortage Management
-  Alternative Solution
-  Excess Inventory Management