



**THE DATASHEET OF
74GTLPH16612GRG4**

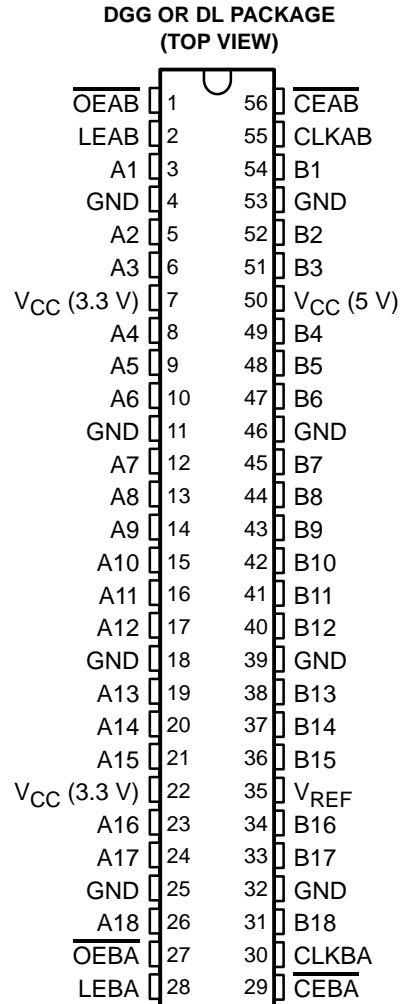


SN74GTLPH16612

18-BIT LVTTTL-TO-GTLP UNIVERSAL BUS TRANSCEIVER

SCES326C – MARCH 2000 – REVISED AUGUST 2001

- Member of Texas Instruments' Widebus™ Family
- UBT™ Transceiver Combines D-Type Latches and D-Type Flip-Flops for Operation in Transparent, Latched, Clocked, or Clock-Enabled Mode
- OEC™ Circuitry Improves Signal Integrity and Reduces Electromagnetic Interference
- Bidirectional Interface Between GTLP Signal Levels and LVTTTL Logic Levels
- LVTTTL Interfaces are 5-V Tolerant
- Medium-Drive GTLP Outputs (34 mA)
- LVTTTL Outputs (–32 mA/64 mA)
- GTLP Rise and Fall Times Designed for Optimal Data-Transfer Rate and Signal Integrity in Distributed Loads
- I_{off} Supports Partial-Power-Down Mode Operation
- Bus Hold on A-Port Inputs
- Distributed V_{CC} and GND Pins Minimize High-Speed Switching Noise
- Latch-Up Performance Exceeds 100 mA Per JESD 78, Class II
- ESD Protection Exceeds JESD 22
 - 2000-V Human-Body Model (A114-A)
 - 200-V Machine Model (A115-A)
 - 1000-V Charged-Device Model (C101)



description

The SN74GTLPH16612 is a medium-drive, 18-bit UBT™ transceiver that provides LVTTTL-to-GTLP and GTLP-to-LVTTTL signal-level translation. It allows for transparent, latched, clocked, or clock-enabled modes of data transfer. This device provides a high-speed interface between cards operating at LVTTTL logic levels and backplanes operating at GTLP signal levels. High-speed (about two times faster than standard LVTTTL or TTL) backplane operation is a direct result of the reduced output swing (<1 V), reduced input threshold levels, and OEC™ circuitry. These improvements minimize bus-settling time and have been designed and tested using several backplane models.

GTLP is a TI™ derivative of the Gunning Transceiver Logic (GTL) JEDEC standard JESD 8-3. The ac specification of the SN74GTLPH16612 is given only at the preferred higher noise-margin GTLP, but the user has the flexibility of using this device at either GTL ($V_{TT} = 1.2$ V and $V_{REF} = 0.8$ V) or GTLP ($V_{TT} = 1.5$ V and $V_{REF} = 1$ V) signal levels.

The B port normally operates at GTLP levels, while the A-port and control inputs are compatible with LVTTTL logic levels and are 5-V tolerant. V_{REF} is the reference input voltage for the B port.

To improve signal integrity, the SN74GTLPH16612 B-port output transition time is optimized for distributed backplane loads.



Please be aware that an important notice concerning availability, standard warranty, and use in critical applications of Texas Instruments semiconductor products and disclaimers thereto appears at the end of this data sheet.

OEC, TI, UBT, and Widebus are trademarks of Texas Instruments.

PRODUCTION DATA information is current as of publication date. Products conform to specifications per the terms of Texas Instruments standard warranty. Production processing does not necessarily include testing of all parameters.



POST OFFICE BOX 655303 • DALLAS, TEXAS 75265

Copyright © 2001, Texas Instruments Incorporated

SN74GTLPH16612

18-BIT LVTTTL-TO-GTLP UNIVERSAL BUS TRANSCEIVER

SCES326C – MARCH 2000 – REVISED AUGUST 2001

description (continued)

V_{CC} (5 V) supplies the internal and GTLP circuitry, while V_{CC} (3.3 V) supplies the LVTTTL output buffers.

To ensure the high-impedance state during power up or power down, \overline{OE} should be tied to V_{CC} through a pullup resistor; the minimum value of the resistor is determined by the current-sinking capability of the driver.

Active bus-hold circuitry holds unused or undriven LVTTTL data inputs at a valid logic state. Use of pullup or pulldown resistors with the bus-hold circuitry is not recommended.

This device is fully specified for partial-power-down applications using I_{off} . The I_{off} circuitry disables the outputs, preventing damaging current backflow through the device when it is powered down.

ORDERING INFORMATION

TA	PACKAGE†		ORDERABLE PART NUMBER	TOP-SIDE MARKING
–40°C to 85°C	SSOP – DL	Tube	SN74GTLPH16612DL	GTLPH16612
		Tape and reel	SN74GTLPH16612DLR	
	TSSOP – DGG	Tape and reel	SN74GTLPH16612GR	GTLPH16612

† Package drawings, standard packing quantities, thermal data, symbolization, and PCB design guidelines are available at www.ti.com/sc/package.

functional description

The SN74GTLPH16612 is a medium-drive (34 mA), 18-bit UBT transceiver, containing D-type latches and D-type flip-flops to allow data flow in transparent, latched, clocked, and clock-enabled modes can replace any of the functions shown in Table 1. Data polarity is noninverting.

Table 1. SN74GTLPH16612 UBT Transceiver Replacement Functions

FUNCTION	8 BIT	9 BIT	10 BIT	16 BIT	18 BIT
Transceiver	'245, '623, '645	'863	'861	'16245, '16623	'16863
Buffer/driver	'241, '244, '541		'827	'16241, '16244, '16541	'16825
Latched transceiver	'543			'16543	'16472
Latch	'373, '573	'843	'841	'16373	'16843
Registered transceiver	'646, '652			'16646, '16652	'16474
Flip-flop	'374, '574		'821	'16374	
Standard UBT					'16500, '16501
Universal bus driver					'16835
Registered transceiver with clock enable	'2952			'16470, '16952	
Flip-flop with clock enable	'377	'823			'16823
Standard UBT with clock enable					'16600, '16601
SN74GTLPH16612 UBT transceiver replaces all above functions					

Data flow in each direction is controlled by the clock enables (\overline{CEAB} and \overline{CEBA}), latch enables (LEAB and LEBA), clock (CLKAB and CLKBA), and output enables (\overline{OEAB} and \overline{OEBA}).

For A-to-B data flow, when \overline{CEAB} is low, the device operates on the low-to-high transition of CLKAB for the flip-flop and on the high-to-low transition of LEAB for the latch path, i.e., if \overline{CEAB} and LEAB are low, the A data is latched, regardless of the state of CLKAB (high or low) and if LEAB is high, the device is in transparent mode. When \overline{OEAB} is low, the outputs are active. When \overline{OEAB} is high, the outputs are in the high-impedance state.

The data flow for B-to-A is similar to that of A-to-B, except that \overline{CEBA} , \overline{OEBA} , LEBA, and CLKBA are used.



SN74GTLPH16612

18-BIT LVTTL-TO-GTLP UNIVERSAL BUS TRANSCEIVER

SCES326C – MARCH 2000 – REVISED AUGUST 2001

FUNCTION TABLE†

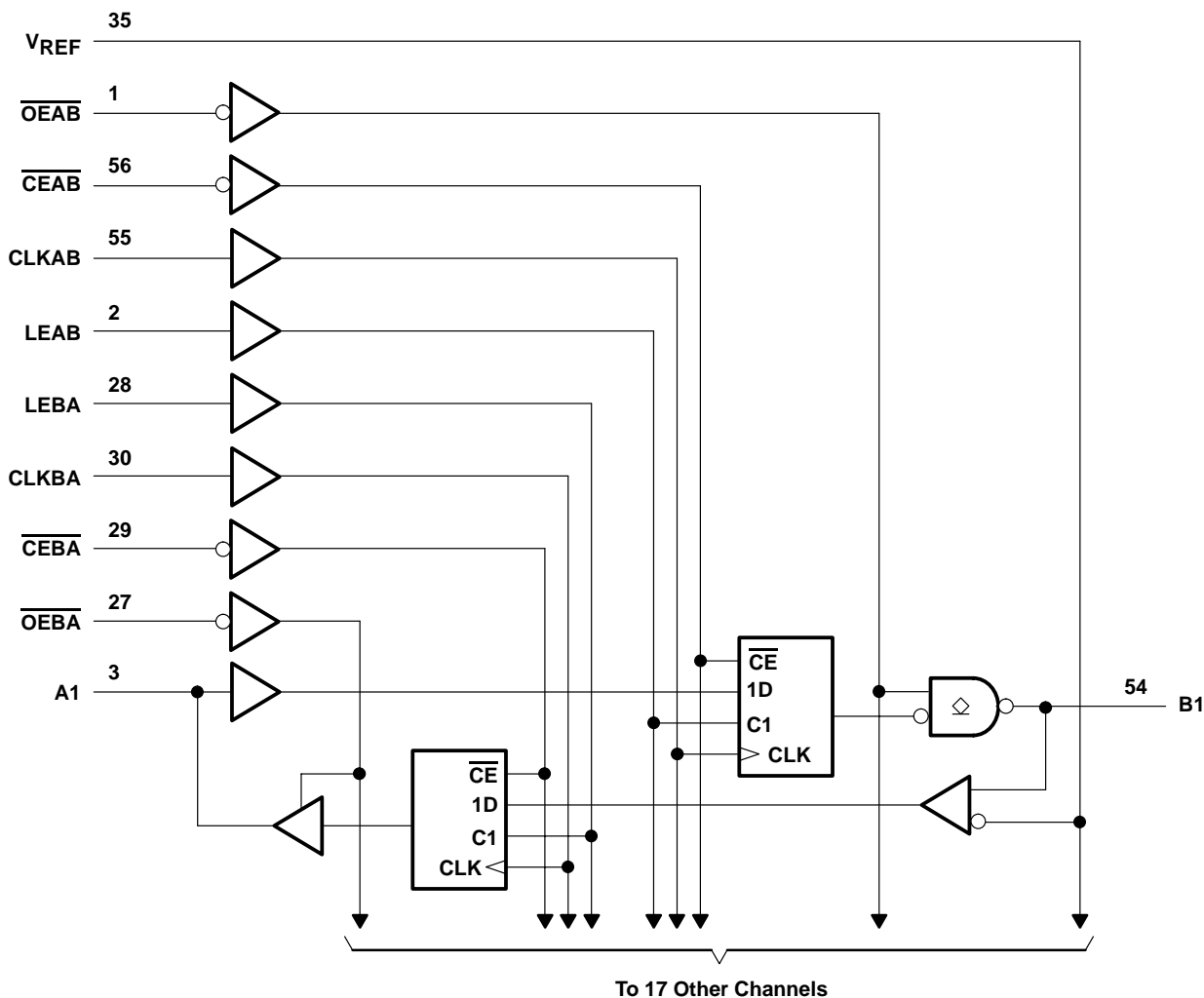
INPUTS					OUTPUT B	MODE
CEAB	OEAB	LEAB	CLKAB	A		
X	H	X	X	X	Z	Isolation
L	L	L	H	X	B ₀ ‡	Latched storage of A data
L	L	L	L	X	B ₀ §	
X	L	H	X	L	L	True transparent
X	L	H	X	H	H	
L	L	L	↑	L	L	Clocked storage of A data
L	L	L	↑	H	H	
H	L	L	X	X	B ₀ §	Clock inhibit

† A-to-B data flow is shown. B-to-A data flow is similar, but uses CEBA, OEBA, LEBA, and CLKBA. The condition when OEAB and OEBA are both low at the same time is not recommended.

‡ Output level before the indicated steady-state input conditions were established, provided that CLKAB was high before LEAB went low.

§ Output level before the indicated steady-state input conditions were established.

logic diagram (positive logic)



SN74GTLPH16612

18-BIT LVTTTL-TO-GTLP UNIVERSAL BUS TRANSCEIVER

SCES326C – MARCH 2000 – REVISED AUGUST 2001

absolute maximum ratings over operating free-air temperature range (unless otherwise noted)†

Supply voltage range, V_{CC} : 3.3 V	-0.5 V to 4.6 V
5 V	-0.5 V to 7 V
Input voltage range, V_I (see Note 1): A port and control inputs	-0.5 V to 7 V
B port and V_{REF}	-0.5 V to 4.6 V
Voltage range applied to any output in the high-impedance or power-off state, V_O		
(see Note 1): A port	-0.5 V to 7 V
B port	-0.5 V to 4.6 V
Current into any output in the low state, I_O : A port	128 mA
B port	80 mA
Current into any A port output in the high state, I_O (see Note 2)	64 mA
Continuous current through each V_{CC} or GND	± 100 mA
Input clamp current, I_{IK} ($V_I < 0$)	-50 mA
Output clamp current, I_{OK} ($V_O < 0$)	-50 mA
Package thermal impedance, θ_{JA} (see Note 3): DGG package	64°C/W
DL package	56°C/W
Storage temperature range, T_{stg}	-65°C to 150°C

† Stresses beyond those listed under “absolute maximum ratings” may cause permanent damage to the device. These are stress ratings only, and functional operation of the device at these or any other conditions beyond those indicated under “recommended operating conditions” is not implied. Exposure to absolute-maximum-rated conditions for extended periods may affect device reliability.

- NOTES: 1. The input and output negative-voltage ratings may be exceeded if the input and output clamp-current ratings are observed.
 2. This current flows only when the output is in the high state and $V_O > V_{CC}$.
 3. The package thermal impedance is calculated in accordance with JESD 51-7.

recommended operating conditions (see Notes 4 through 7)

		MIN	NOM	MAX	UNIT		
V_{CC}	Supply voltage	3.3 V	3.15	3.3	3.45	V	
		5 V	4.75	5	5.25		
V_{TT}	Termination voltage	GTLP	1.14	1.2	1.26	V	
		GTL	1.35	1.5	1.65		
V_{REF}	Reference voltage	GTLP	0.74	0.8	0.87	V	
		GTL	0.87	1	1.1		
V_I	Input voltage	B port	V_{TT}			V	
		Except B port	V_{CC} 5.5				
V_{IH}	High-level input voltage	B port	$V_{REF} + 50$ mV			V	
		Except B port	2				
V_{IL}	Low-level input voltage	B port	$V_{REF} - 50$ mV			V	
		Except B port	0.8				
I_{IK}	Input clamp current				-18	mA	
I_{OH}	High-level output current	A port				-32	mA
I_{OL}	Low-level output current	A port				64	mA
		B port				34	
T_A	Operating free-air temperature				-40	85	°C

- NOTES: 4. All unused control inputs of the device must be held at V_{CC} or GND to ensure proper device operation. Refer to the TI application report *Implications of Slow or Floating CMOS Inputs*, literature number SCBA004.
 5. Normal connection sequence is GND first, $V_{CC} = 5$ V second, and $V_{CC} = 3.3$ V, I/O, control inputs, V_{TT} , and V_{REF} (any order) last.
 6. V_{TT} and R_{TT} can be adjusted to accommodate backplane impedances if the dc recommended I_{OL} ratings are not exceeded.
 7. V_{REF} can be adjusted to optimize noise margins, but normally is two-thirds V_{TT} .



SN74GTLPH16612

18-BIT LVTTTL-TO-GTLP UNIVERSAL BUS TRANSCEIVER

SCES326C – MARCH 2000 – REVISED AUGUST 2001

electrical characteristics over recommended operating free-air temperature range (unless otherwise noted)

PARAMETER		TEST CONDITIONS			MIN	TYP†	MAX	UNIT
V _{IK}		V _{CC} (3.3 V) = 3.15 V, V _{CC} (5 V) = 4.75 V, I _I = -18 mA					-1.2	V
V _{OH}	A port	V _{CC} (3.3 V) = 3.15 V to 3.45 V, V _{CC} (5 V) = 4.75 V to 5.25 V		I _{OH} = -100 μA	V _{CC} (3.3 V)		-0.2	V
		V _{CC} (3.3 V) = 3.15 V, V _{CC} (5 V) = 4.75 V		I _{OH} = -8 mA		2.4		
				I _{OH} = -32 mA		2		
V _{OL}	A port	V _{CC} (3.3 V) = 3.15 V, V _{CC} (5 V) = 4.75 V		I _{OL} = 100 μA			0.2	V
				I _{OL} = 16 mA			0.4	
				I _{OL} = 32 mA			0.5	
				I _{OL} = 64 mA			0.55	
	B port	V _{CC} (3.3 V) = 3.15 V, V _{CC} (5 V) = 4.75 V		I _{OL} = 34 mA			0.65	
I _I	Control inputs	V _{CC} (3.3 V) = 0 or 3.45 V, V _{CC} (5 V) = 0 or 5.25 V, V _I = 5.5 V					10	μA
	A port	V _{CC} (3.3 V) = 3.45 V, V _{CC} (5 V) = 5.25 V		V _I = 5.5 V			20	
				V _I = V _{CC} (3.3 V)			1	
				V _I = 0			-30	
	B port	V _{CC} (3.3 V) = 3.45 V, V _{CC} (5 V) = 5.25 V		V _I = V _{CC} (3.3 V)			5	
				V _I = 0			-5	
I _{off}		V _{CC} = 0, V _I or V _O = 0 to 4.5 V					100	μA
I _I (hold)	A port	V _{CC} (3.3 V) = 3.15 V, V _{CC} (5 V) = 4.75 V		V _I = 0.8 V			75	μA
				V _I = 2 V			-75	
				V _I = 0 to V _{CC} (3.3 V)‡			±500	
I _{OZH}	A port	V _{CC} (3.3 V) = 3.45 V, V _{CC} (5 V) = 5.25 V, V _O = V _{CC} (3.3 V)					1	μA
	B port	V _{CC} (3.3 V) = 3.45 V, V _{CC} (5 V) = 5.25 V, V _O = 1.5 V					10	
I _{OZL}	A port	V _{CC} (3.3 V) = 3.45 V, V _{CC} (5 V) = 5.25 V, V _O = 0					-1	μA
	B port	V _{CC} (3.3 V) = 3.45 V, V _{CC} (5 V) = 5.25 V, V _O = 0.65 V					-10	
I _{CC} (3.3 V)	A or B port	V _{CC} (3.3 V) = 3.45 V, V _{CC} (5 V) = 5.25 V, I _O = 0, V _I = V _{CC} (3.3 V) or GND§, V _I = V _{TT} or GND¶		Outputs high			1	mA
				Outputs low			5	
				Outputs disabled			1	
I _{CC} (5 V)	A or B port	V _{CC} (3.3 V) = 3.45 V, V _{CC} (5 V) = 5.25 V, I _O = 0, V _I = V _{CC} (3.3 V) or GND§, V _I = V _{TT} or GND¶		Outputs high			120	mA
				Outputs low			120	
				Outputs disabled			120	
ΔI _{CC} (3.3 V)#		V _{CC} (3.3 V) = 3.45 V, V _{CC} (5 V) = 5.25 V, One A-port or control input at 2.7 V, Other A-port or control inputs at V _{CC} (3.3 V) or GND					1	mA
C _i	Control inputs	V _I = 3.15 V or 0					4	pF
C _{io}	A port	V _O = 3.15 V or 0					8.5	pF
	B port	V _O = 1.5 V or 0					8	

† All typical values are at V_{CC} (3.3 V) = 3.3 V, V_{CC} (5 V) = 5 V, T_A = 25°C.

‡ This is the bus-hold maximum dynamic current. It is the minimum overdrive current required to switch the input from one state to another.

§ This is the V_I for A-port or control inputs.

¶ This is the V_I for B port.

This is the increase in supply current for each input that is at the specified TTL voltage level rather than V_{CC} or GND.



SN74GTLPH16612

18-BIT LVTTTL-TO-GTLP UNIVERSAL BUS TRANSCEIVER

SCES326C – MARCH 2000 – REVISED AUGUST 2001

timing requirements over recommended ranges of supply voltage and operating free-air temperature, $V_{TT} = 1.5\text{ V}$ and $V_{REF} = 1\text{ V}$ for GTLP (unless otherwise noted) (see Figure 1)

		MIN	MAX	UNIT
f_{clock}	Clock frequency		85	MHz
t_w	Pulse duration	LEAB or LEBA high	3.3	ns
		CLKAB or CLKBA high or low	5.7	
t_{su}	Setup time	A before CLKAB \uparrow	1	ns
		B before CLKBA \uparrow	1.8	
		A before LEAB \downarrow	0.5	
		B before LEBA \downarrow	1.2	
		$\overline{\text{CEAB}}$ before CLKAB \uparrow	1.2	
		$\overline{\text{CEBA}}$ before CLKBA \uparrow	1.4	
t_h	Hold time	A after CLKAB \uparrow	1.9	ns
		B after CLKBA \uparrow	0.5	
		A after LEAB \downarrow	2.7	
		B after LEBA \downarrow	3.5	
		$\overline{\text{CEAB}}$ after CLKAB \uparrow	1.2	
		$\overline{\text{CEBA}}$ after CLKBA \uparrow	1.1	

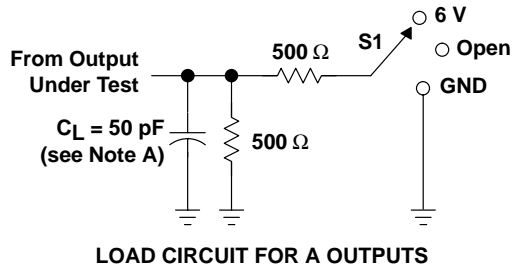
switching characteristics over recommended ranges of supply voltage and operating free-air temperature, $V_{TT} = 1.5\text{ V}$ and $V_{REF} = 1\text{ V}$ for GTLP (see Figure 1)

PARAMETER	FROM (INPUT)	TO (OUTPUT)	MIN	TYP†	MAX	UNIT
f_{max}			85			MHz
t_{PLH}	A	B	2.5		6.9	ns
t_{PHL}			2.5		6.9	
t_{PLH}	LEAB	B	3.2		7.3	ns
t_{PHL}			3.2		7.3	
t_{PLH}	CLKAB	B	3.4		7.8	ns
t_{PHL}			3.4		7.8	
t_{en}	$\overline{\text{OEAB}}$	B	2.8		7	ns
t_{dis}			2.8		7	
t_r	Transition time, B outputs (20% to 80%)		2.6			ns
t_f	Transition time, B outputs (80% to 20%)		2.6			ns
t_{PLH}	B	A	1.5		5.7	ns
t_{PHL}			1.5		5.7	
t_{PLH}	LEBA	A	1.8		5.7	ns
t_{PHL}			1.8		5.7	
t_{PLH}	CLKBA	A	2.3		5.5	ns
t_{PHL}			2.3		5.5	
t_{en}	$\overline{\text{OEBA}}$	A	1.8		6.1	ns
t_{dis}			1.8		6.1	

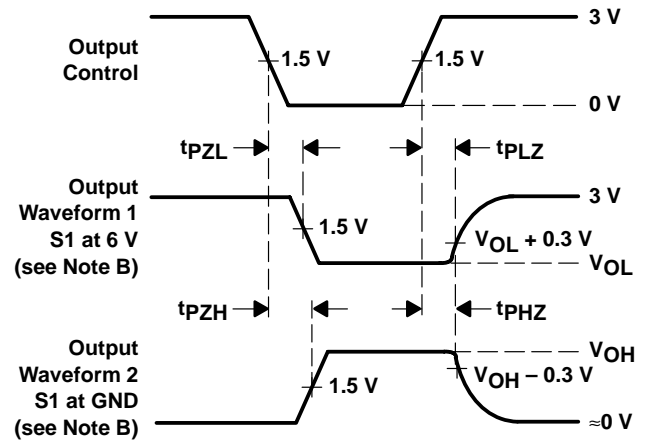
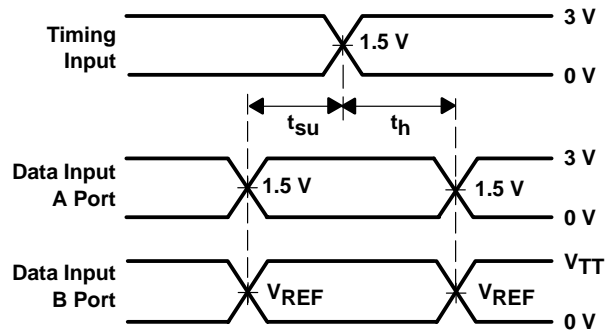
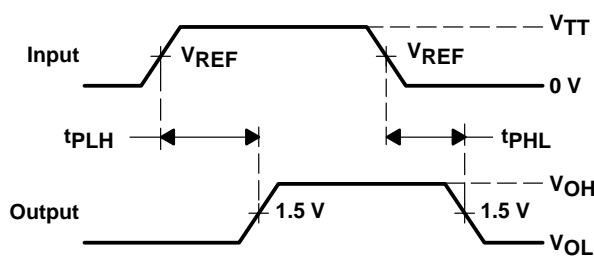
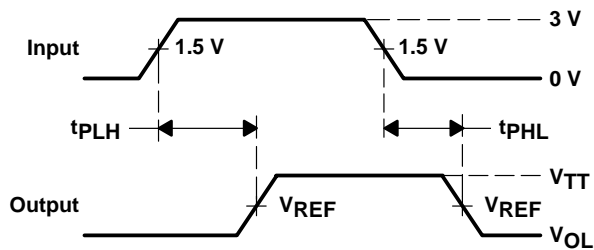
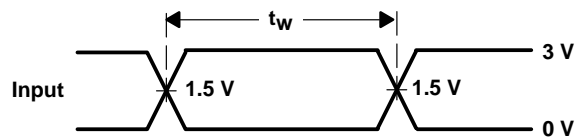
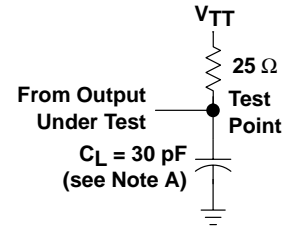
† All typical values are at $V_{CC} (3.3\text{ V}) = 3.3\text{ V}$, $V_{CC} (5\text{ V}) = 5\text{ V}$, $T_A = 25^\circ\text{C}$.



PARAMETER MEASUREMENT INFORMATION



TEST	S1
t_{PLH}/t_{PHL}	Open
t_{PLZ}/t_{PZL}	6 V
t_{PHZ}/t_{PZH}	GND



- NOTES: A. C_L includes probe and jig capacitance.
 B. Waveform 1 is for an output with internal conditions such that the output is low except when disabled by the output control. Waveform 2 is for an output with internal conditions such that the output is high except when disabled by the output control.
 C. All input pulses are supplied by generators having the following characteristics: PRR $\leq 10 \text{ MHz}$, $Z_O = 50 \Omega$, $t_r \leq 2.5 \text{ ns}$, $t_f \leq 2.5 \text{ ns}$.
 D. The outputs are measured one at a time with one transition per measurement.

Figure 1. Load Circuits and Voltage Waveforms

SN74GTLPH16612 18-BIT LVTTL-TO-GTLP UNIVERSAL BUS TRANSCEIVER

SCES326C – MARCH 2000 – REVISED AUGUST 2001

DISTRIBUTED-LOAD BACKPLANE SWITCHING CHARACTERISTICS

The previous switching characteristics table shows the switching characteristics of the device into a lumped load (Figure 1). However, the designer's backplane application probably is a distributed load. The physical representation is shown in Figure 2. This backplane, or distributed load, can be approximated closely to an RLC circuit, as shown in Figure 3. This device has been designed for optimum performance in this RLC circuit. The following switching characteristics table shows the switching characteristics of the device into the RLC load, to help the designer better understand the performance of the GTLP device in this typical backplane. See www.ti.com/sc/gtlp for more information.

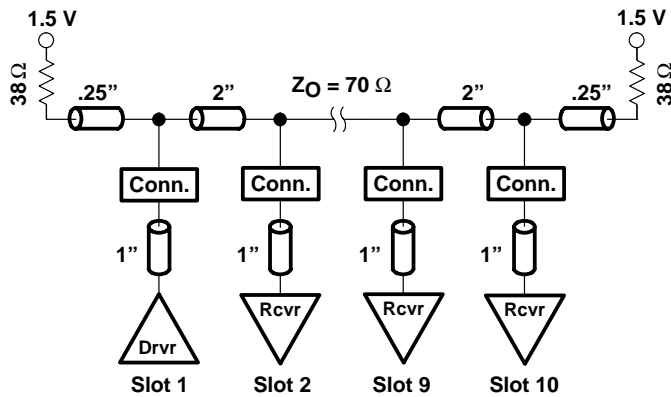


Figure 2. Medium-Drive Test Backplane

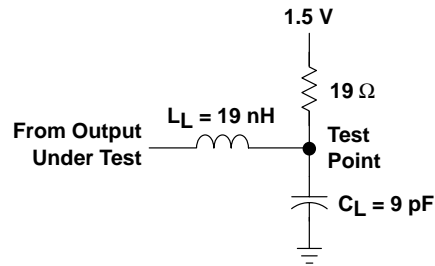


Figure 3. Medium-Drive RLC Network

switching characteristics over recommended ranges of supply voltage and operating free-air temperature, $V_{TT} = 1.5\text{ V}$ and $V_{REF} = 1\text{ V}$ for GTLP (see Figure 3)

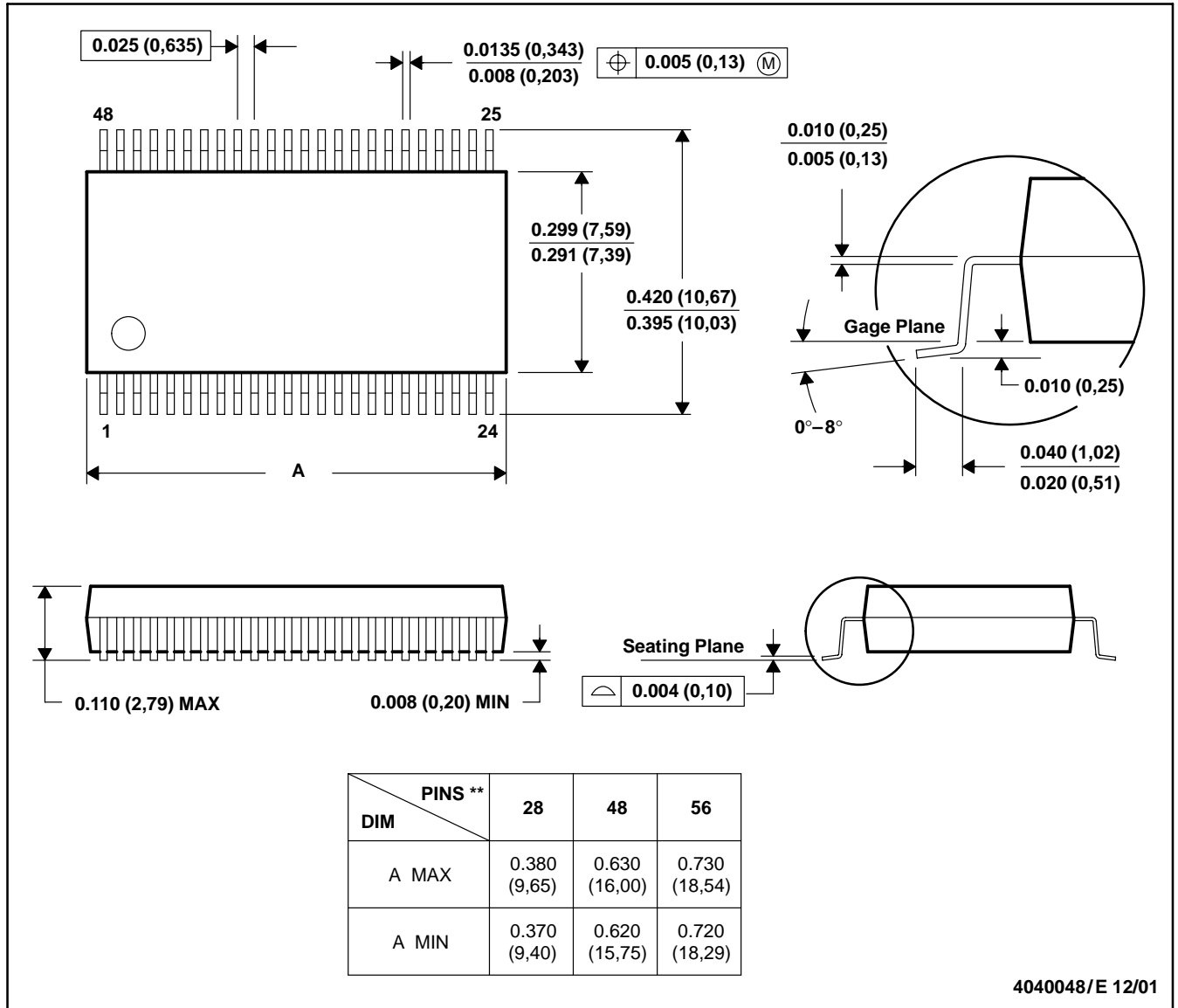
PARAMETER	FROM (INPUT)	TO (OUTPUT)	MIN	TYP†	UNIT
f_{max}			85		MHz
t_{PLH}	A	B		3.6	ns
t_{PHL}			3.6		
t_{PLH}	LEAB	B		4.3	ns
t_{PHL}			4.3		
t_{PLH}	CLKAB	B		4.4	ns
t_{PHL}			4.4		
t_{en}	\overline{OEAB}	B		4.1	ns
t_{dis}			4.3		
t_r	Rise time, B outputs (20% to 80%)			1.4	ns
t_f	Fall time, B outputs (80% to 20%)			2.1	ns

† All typical values are at $V_{CC} = 3.3\text{ V}$, $T_A = 25^\circ\text{C}$. All values are derived from TI SPICE models.

DL (R-PDSO-G**)

PLASTIC SMALL-OUTLINE PACKAGE

48 PINS SHOWN



- NOTES: A. All linear dimensions are in inches (millimeters).
 B. This drawing is subject to change without notice.
 C. Body dimensions do not include mold flash or protrusion not to exceed 0.006 (0,15).
 D. Falls within JEDEC MO-118

DGG (R-PDSO-G**)

PLASTIC SMALL-OUTLINE PACKAGE

48 PINS SHOWN



- NOTES: A. All linear dimensions are in millimeters.
 B. This drawing is subject to change without notice.
 C. Body dimensions do not include mold protrusion not to exceed 0,15.
 D. Falls within JEDEC MO-153

IMPORTANT NOTICE

Texas Instruments Incorporated and its subsidiaries (TI) reserve the right to make corrections, modifications, enhancements, improvements, and other changes to its products and services at any time and to discontinue any product or service without notice. Customers should obtain the latest relevant information before placing orders and should verify that such information is current and complete. All products are sold subject to TI's terms and conditions of sale supplied at the time of order acknowledgment.

TI warrants performance of its hardware products to the specifications applicable at the time of sale in accordance with TI's standard warranty. Testing and other quality control techniques are used to the extent TI deems necessary to support this warranty. Except where mandated by government requirements, testing of all parameters of each product is not necessarily performed.

TI assumes no liability for applications assistance or customer product design. Customers are responsible for their products and applications using TI components. To minimize the risks associated with customer products and applications, customers should provide adequate design and operating safeguards.

TI does not warrant or represent that any license, either express or implied, is granted under any TI patent right, copyright, mask work right, or other TI intellectual property right relating to any combination, machine, or process in which TI products or services are used. Information published by TI regarding third-party products or services does not constitute a license from TI to use such products or services or a warranty or endorsement thereof. Use of such information may require a license from a third party under the patents or other intellectual property of the third party, or a license from TI under the patents or other intellectual property of TI.

Reproduction of information in TI data books or data sheets is permissible only if reproduction is without alteration and is accompanied by all associated warranties, conditions, limitations, and notices. Reproduction of this information with alteration is an unfair and deceptive business practice. TI is not responsible or liable for such altered documentation.

Resale of TI products or services with statements different from or beyond the parameters stated by TI for that product or service voids all express and any implied warranties for the associated TI product or service and is an unfair and deceptive business practice. TI is not responsible or liable for any such statements.

Mailing Address:

Texas Instruments
Post Office Box 655303
Dallas, Texas 75265

Looking for pricing, stock, or lifecycle information?

Click below to explore more details on WIN SOURCE:

 [View 74GTLPH16612GRG4 on WIN SOURCE](#)

 [Texas Instruments](#) Information

Optimize Your Supply Chain with WIN SOURCE Solutions

-  Global Sourcing Solution
-  Obsolete Management
-  Cost Control Management
-  Shortage Management
-  Alternative Solution
-  Excess Inventory Management