



**THE DATASHEET OF  
74F193PC**



# 74F193

## Up/Down Binary Counter with Separate Up/Down Clocks

### General Description

The 74F193 is an up/down modulo-16 binary counter. Separate Count Up and Count Down Clocks are used, and in either counting mode the circuits operate synchronously. The outputs change state synchronously with the LOW-to-HIGH transitions on the clock inputs. Separate Terminal Count Up and Terminal Count Down outputs are provided

that are used as the clocks for subsequent stages without extra logic, thus simplifying multi-stage counter designs. Individual preset inputs allow the circuit to be used as a programmable counter. Both the Parallel Load ( $\overline{PL}$ ) and the Master Reset (MR) inputs asynchronously override the clocks.

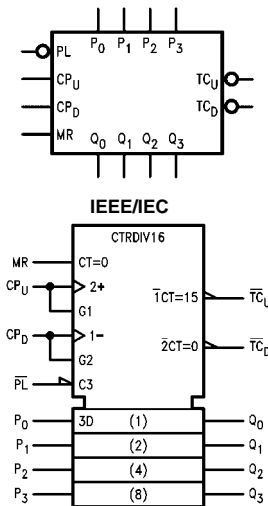
### Ordering Code:

Order Number	Package Number	Package Description
74F193SC	M16A	16-Lead Small Outline Integrated Circuit (SOIC), JEDEC MS-012, 0.150 Narrow
74F193SJ (Note 1)	M16D	16-Lead Small Outline Package (SOP), EIAJ TYPE II, 5.3mm Wide
74F193PC	N16E	16-Lead Plastic Dual-In-Line Package (PDIP), JEDEC MS-001, 0.300 Wide

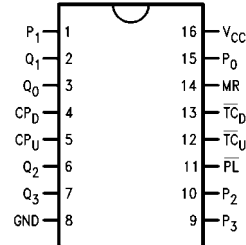
Devices also available in Tape and Reel. Specify by appending suffix letter "X" to the ordering code.

**Note 1:** Device not available in Tape and Reel.

### Logic Symbols



### Connection Diagram



74F193 Up/Down Binary Counter with Separate Up/Down Clocks

## Unit Loading/Fan Out

Pin Names	Description	U.L. HIGH/LOW	Input $I_{IH}/I_{IL}$ Output $I_{OH}/I_{OL}$
CP <sub>U</sub>	Count Up Clock Input (Active Rising Edge)	1.0/3.0	20 $\mu$ A/-1.8 mA
CP <sub>D</sub>	Count Down Clock Input (Active Rising Edge)	1.0/3.0	20 $\mu$ A/-1.8 mA
MR	Asynchronous Master Reset Input (Active HIGH)	1.0/1.0	20 $\mu$ A/-0.6 mA
$\overline{PL}$	Asynchronous Parallel Load Input (Active LOW)	1.0/1.0	20 $\mu$ A/-0.6 mA
P <sub>0</sub> -P <sub>3</sub>	Parallel Data Inputs	1.0/1.0	20 $\mu$ A/-0.6 mA
Q <sub>0</sub> -Q <sub>3</sub>	Flip-Flop Outputs	50/33.3	-1 mA/20 mA
$\overline{TC}_D$	Terminal Count Down (Borrow) Output (Active LOW)	50/33.3	-1 mA/20 mA
$\overline{TC}_U$	Terminal Count Up (Carry) Output (Active LOW)	50/33.3	-1 mA/20 mA

## Functional Description

The 74F193 is a 4-bit binary synchronous up/down (reversible) counter. It contains four edge-triggered flip-flops, with internal gating and steering logic to provide master reset, individual preset, count up and count down operations.

A LOW-to-HIGH transition on the CP input to each flip-flop causes the output to change state. Synchronous switching, as opposed to ripple counting, is achieved by driving the steering gates of all stages from a common Count Up line and a common Count Down line, thereby causing all state changes to be initiated simultaneously. A LOW-to-HIGH transition on the Count Up input will advance the count by one; a similar transition on the Count Down input will decrease the count by one. While counting with one clock input, the other should be held HIGH, as indicated in the Function Table.

The Terminal Count Up ( $\overline{TC}_U$ ) and Terminal Count Down ( $\overline{TC}_D$ ) outputs are normally HIGH. When the circuit has reached the maximum count state 15, the next HIGH-to-LOW transition of the Count Up Clock will cause  $\overline{TC}_U$  to go LOW.  $\overline{TC}_U$  will stay LOW until CP<sub>U</sub> goes HIGH again, thus effectively repeating the Count Up Clock, but delayed by two gate delays. Similarly, the  $\overline{TC}_D$  output will go LOW when the circuit is in the zero state and the Count Down Clock goes LOW. Since the  $\overline{TC}$  outputs repeat the clock waveforms, they can be used as the clock input signals to the next higher order circuit in a multistage counter.

$$\overline{TC}_U = Q_0 \cdot Q_1 \cdot Q_2 \cdot Q_3 \cdot \overline{CP}_U$$

$$\overline{TC}_D = \overline{Q}_0 \cdot \overline{Q}_1 \cdot \overline{Q}_2 \cdot \overline{Q}_3 \cdot \overline{CP}_D$$

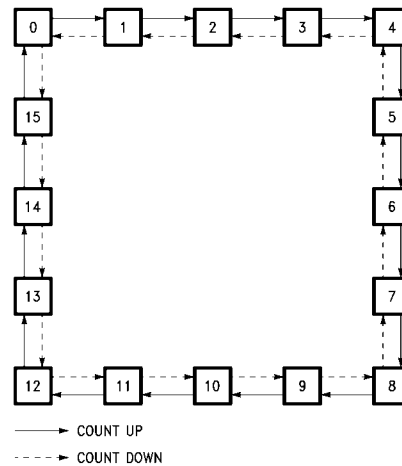
The 74F193 has an asynchronous parallel load capability permitting the counter to be preset. When the Parallel Load ( $\overline{PL}$ ) and the Master Reset (MR) inputs are LOW, information present on the Parallel Data input (P<sub>0</sub>-P<sub>3</sub>) is loaded into the counter and appears on the outputs regardless of the conditions of the clock inputs. A HIGH signal on the Master Reset input will disable the preset gates, override both clock inputs, and latch each Q output in the LOW state. If one of the clock inputs is LOW during and after a reset or load operation, the next LOW-to-HIGH transition of that clock will be interpreted as a legitimate signal and will be counted.

## Function Table

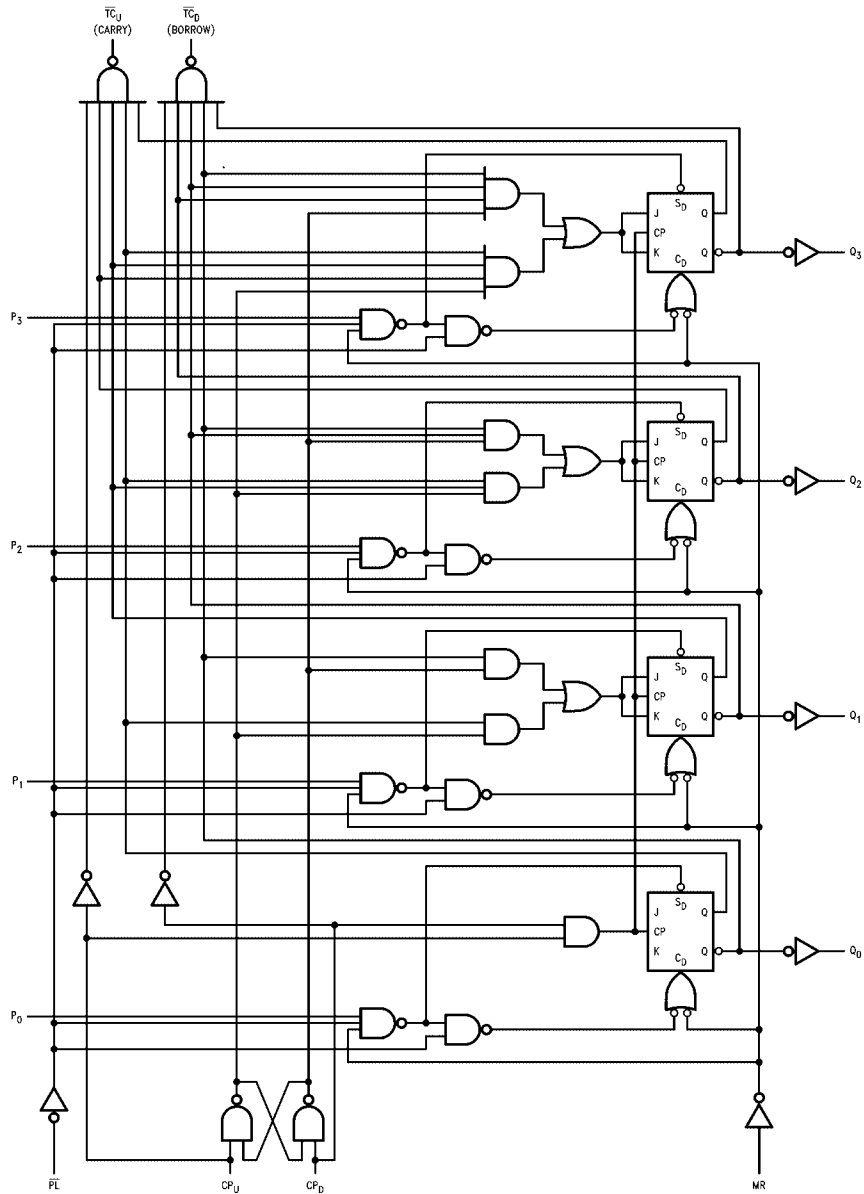
MR	$\overline{PL}$	CP <sub>U</sub>	CP <sub>D</sub>	Mode
H	X	X	X	Reset (Asyn.)
L	L	X	X	Preset (Asyn.)
L	H	H	H	No Change
L	H	$\nearrow$	H	Count Up
L	H	H	$\nearrow$	Count Down

H = HIGH Voltage Level  
L = LOW Voltage Level  
X = Immaterial  
 $\nearrow$  = LOW-to-HIGH Clock Transition

## State Diagram



Logic Diagram



Please note that this diagram is provided only for the understanding of logic operations and should not be used to estimate propagation delays.

**Absolute Maximum Ratings** (Note 2)

Storage Temperature	-65°C to +150°C
Ambient Temperature under Bias	-55°C to +125°C
Junction Temperature under Bias	-55°C to +150°C
V <sub>CC</sub> Pin Potential to Ground Pin	-0.5V to +7.0V
Input Voltage (Note 3)	-0.5V to +7.0V
Input Current (Note 3)	-30 mA to +5.0 mA
Voltage Applied to Output in HIGH State (with V <sub>CC</sub> = 0V)	
Standard Output	-0.5V to V <sub>CC</sub>
3-STATE Output	-0.5V to +5.5V
Current Applied to Output in LOW State (Max)	twice the rated I <sub>OL</sub> (mA)

**Recommended Operating Conditions**

Free Air Ambient Temperature	0°C to +70°C
Supply Voltage	+4.5V to +5.5V

**Note 2:** Absolute maximum ratings are values beyond which the device may be damaged or have its useful life impaired. Functional operation under these conditions is not implied.

**Note 3:** Either voltage limit or current limit is sufficient to protect inputs.

**DC Electrical Characteristics**

Symbol	Parameter	Min	Typ	Max	Units	V <sub>CC</sub>	Conditions
V <sub>IH</sub>	Input HIGH Voltage	2.0			V		Recognized as a HIGH Signal
V <sub>IL</sub>	Input LOW Voltage			0.8	V		Recognized as a LOW Signal
V <sub>CD</sub>	Input Clamp Diode Voltage			-1.2	V	Min	I <sub>IN</sub> = -18 mA
V <sub>OH</sub>	Output HIGH Voltage	10% V <sub>CC</sub>	2.5		V	Min	I <sub>OH</sub> = -1 mA
		5% V <sub>CC</sub>	2.7				I <sub>OH</sub> = -1 mA
V <sub>OL</sub>	Output LOW Voltage	10% V <sub>CC</sub>		0.5	V	Min	I <sub>OL</sub> = 20 mA
I <sub>IH</sub>	Input HIGH Current			5.0		Max	V <sub>IN</sub> = 2.7V
I <sub>BVI</sub>	Input HIGH Current Breakdown Test			100	μA	Max	V <sub>IN</sub> = 7.0V
				7.0			
I <sub>CEX</sub>	Output HIGH Leakage Current			50	μA	Max	V <sub>OUT</sub> = V <sub>CC</sub>
V <sub>ID</sub>	Input Leakage Test	4.75			V	0.0	I <sub>ID</sub> = 1.9 μA All Other Pins Grounded
I <sub>OD</sub>	Output Leakage Circuit Current			3.75	μA	0.0	V <sub>IOD</sub> = 150 mV All Other Pins Grounded
I <sub>IL</sub>	Input LOW Current			-0.6	mA	Max	V <sub>IN</sub> = 0.5V (MR, $\overline{PL}$ , P <sub>n</sub> ) V <sub>IN</sub> = 0.5V (CP <sub>U</sub> , CP <sub>D</sub> )
				-1.8			
I <sub>OS</sub>	Output Short-Circuit Current	-60		-150	mA	Max	V <sub>OUT</sub> = 0V
I <sub>CC</sub>	Power Supply Current		38	55	mA	Max	

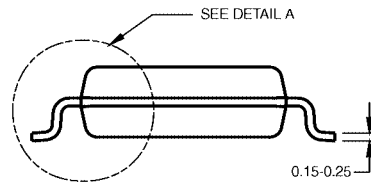
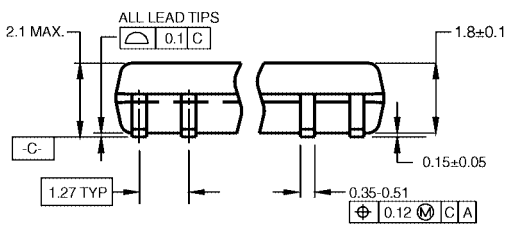
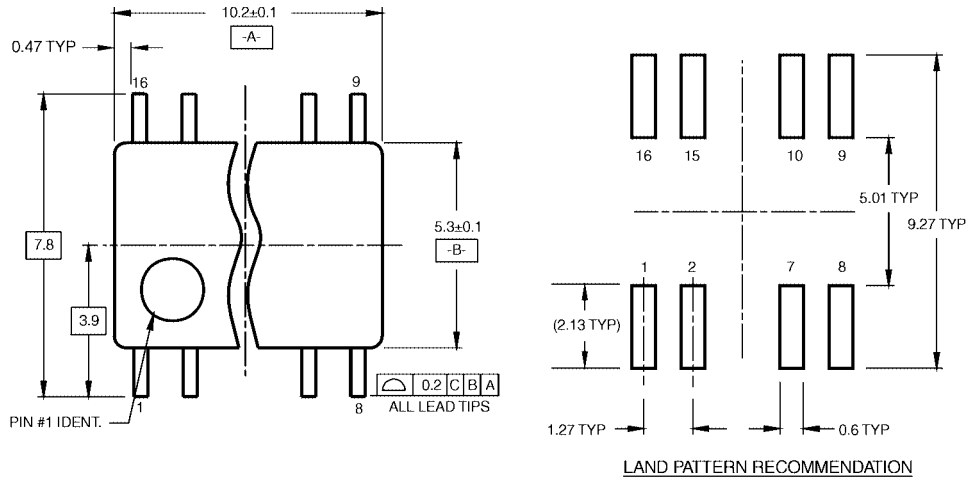
AC Electrical Characteristics							
Symbol	Parameter	T <sub>A</sub> = +25°C V <sub>CC</sub> = +5.0V C <sub>L</sub> = 50 pF			T <sub>A</sub> = 0°C to +70°C V <sub>CC</sub> = +5.0V C <sub>L</sub> = 50 pF		Units
		Min	Typ	Max	Min	Max	
t <sub>MAX</sub>	Maximum Count Frequency	100	125		90		MHz
t <sub>PLH</sub>	Propagation Delay	4.0	7.0	9.0	4.0	10.0	ns
t <sub>PHL</sub>	CP <sub>U</sub> or CP <sub>D</sub> to TC <sub>U</sub> or TC <sub>D</sub>	3.5	6.0	8.0	3.5	9.0	
t <sub>PLH</sub>	Propagation Delay	4.0	6.5	8.5	4.0	9.5	ns
t <sub>PHL</sub>	CP <sub>U</sub> or CP <sub>D</sub> to Q <sub>n</sub>	5.5	9.5	12.5	5.5	13.5	
t <sub>PLH</sub>	Propagation Delay	3.0	4.5	7.0	3.0	8.0	ns
t <sub>PHL</sub>	P <sub>n</sub> to Q <sub>n</sub>	6.0	11.0	14.5	6.0	15.5	
t <sub>PLH</sub>	Propagation Delay	5.0	8.5	11.0	5.0	12.0	ns
t <sub>PHL</sub>	PL to Q <sub>n</sub>	5.5	10.0	13.0	5.5	14.0	
t <sub>PHL</sub>	Propagation Delay MR to Q <sub>n</sub>	5.5	11.0	14.5	5.5	15.5	ns
t <sub>PLH</sub>	Propagation Delay MR to TC <sub>U</sub>	6.0	10.5	13.5	6.0	14.5	
t <sub>PHL</sub>	Propagation Delay MR to TC <sub>D</sub>	6.0	11.5	14.5	6.0	15.5	
t <sub>PLH</sub>	Propagation Delay	7.0	12.0	15.5	7.0	16.5	ns
t <sub>PHL</sub>	PL to TC <sub>U</sub> or TC <sub>D</sub>	7.0	11.5	14.5	7.0	15.5	
t <sub>PLH</sub>	Propagation Delay	7.0	11.5	14.5	7.0	15.5	ns
t <sub>PHL</sub>	P <sub>n</sub> to TC <sub>U</sub> or TC <sub>D</sub>	6.5	11.0	14.0	6.5	15.0	

AC Operating Requirements						
Symbol	Parameter	T <sub>A</sub> = +25°C V <sub>CC</sub> = +5.0V		T <sub>A</sub> = 0°C to +70°C V <sub>CC</sub> = +5.0V		Units
		Min	Max	Min	Max	
t <sub>S</sub> (H)	Setup Time, HIGH or LOW	4.5		5.0		ns
t <sub>S</sub> (L)	P <sub>n</sub> to PL	4.5		5.0		
t <sub>H</sub> (H)	Hold Time, HIGH or LOW	2.0		2.0		
t <sub>H</sub> (L)	P <sub>n</sub> to PL	2.0		2.0		ns
t <sub>W</sub> (L)	PL Pulse Width, LOW	6.0		6.0		
t <sub>W</sub> (L)	CP <sub>U</sub> or CP <sub>D</sub> Pulse Width, LOW	5.0		5.0		ns
t <sub>W</sub> (L)	CP <sub>U</sub> or CP <sub>D</sub> Pulse Width, LOW (Change of Direction)	10.0		10.0		
t <sub>W</sub> (H)	MR Pulse Width, HIGH	6.0		6.0		ns
t <sub>REC</sub>	Recovery Time PL to CP <sub>U</sub> or CP <sub>D</sub>	6.0		6.0		
t <sub>REC</sub>	Recovery Time MR to CP <sub>U</sub> or CP <sub>D</sub>	4.0		4.0		ns



**Physical Dimensions** inches (millimeters) unless otherwise noted (Continued)



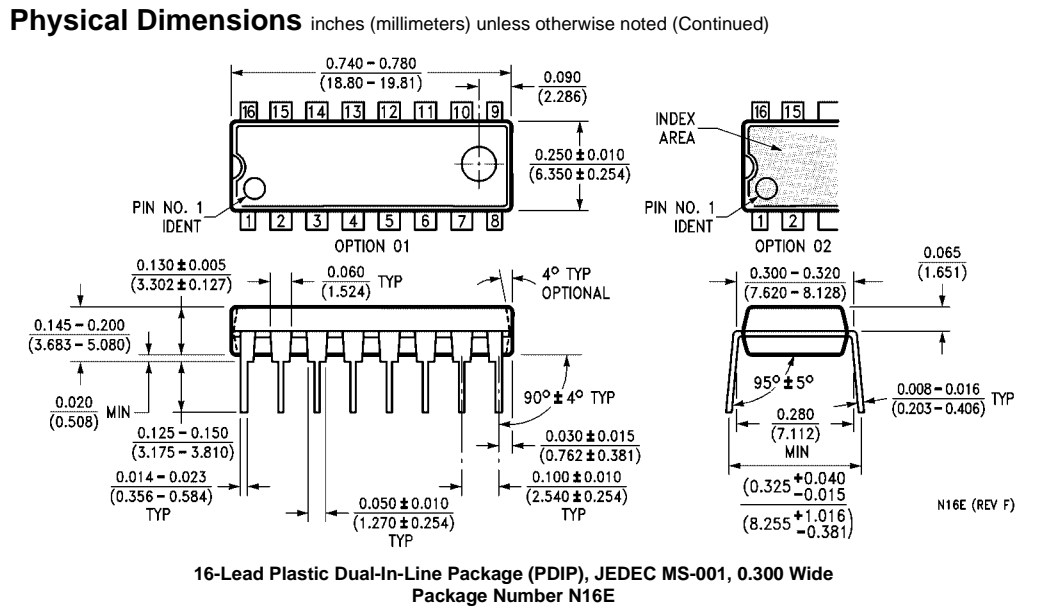
DIMENSIONS ARE IN MILLIMETERS

- NOTES:  
 A. CONFORMS TO EIAJ EDR-7320 REGISTRATION, ESTABLISHED IN DECEMBER, 1998.  
 B. DIMENSIONS ARE IN MILLIMETERS.  
 C. DIMENSIONS ARE EXCLUSIVE OF BURRS, MOLD FLASH, AND TIE BAR EXTRUSIONS.

M16DRevB1



**16-Lead Small Outline Package (SOP), EIAJ TYPE II, 5.3mm Wide  
 Package Number M16D**



Fairchild does not assume any responsibility for use of any circuitry described, no circuit patent licenses are implied and Fairchild reserves the right at any time without notice to change said circuitry and specifications.

**LIFE SUPPORT POLICY**

FAIRCHILD'S PRODUCTS ARE NOT AUTHORIZED FOR USE AS CRITICAL COMPONENTS IN LIFE SUPPORT DEVICES OR SYSTEMS WITHOUT THE EXPRESS WRITTEN APPROVAL OF THE PRESIDENT OF FAIRCHILD SEMICONDUCTOR CORPORATION. As used herein:

1. Life support devices or systems are devices or systems which, (a) are intended for surgical implant into the body, or (b) support or sustain life, and (c) whose failure to perform when properly used in accordance with instructions for use provided in the labeling, can be reasonably expected to result in a significant injury to the user.
2. A critical component in any component of a life support device or system whose failure to perform can be reasonably expected to cause the failure of the life support device or system, or to affect its safety or effectiveness.

[www.fairchildsemi.com](http://www.fairchildsemi.com)

## Looking for pricing, stock, or lifecycle information?

Click below to explore more details on WIN SOURCE:

- ⊖ [View 74F193PC on WIN SOURCE](#)
- ⊖ [Fairchild/ON Semiconductor Information](#)

## Optimize Your Supply Chain with WIN SOURCE Solutions

- ✓ Global Sourcing Solution
- ✓ Obsolete Management
- ✓ Cost Control Management
- ✓ Shortage Management
- ✓ Alternative Solution
- ✓ Excess Inventory Management