

PRODUCT SUMMARY

SKY81296: 2.4 A/2 A Dual Independent Flash LED Driver with TrueFlash™

Applications

- LED photo flash with Movie/Torch mode
- Camera-enabled mobile devices
- Cell phones/smartphones
- Digital still cameras
- Multimedia mobile phones

Features

- Input voltage range: 2.5 V to 5.5 V
- Up to 1.5 A regulated output current, up to 2.4 A/2 A total combined output current from both outputs
- TrueFlash™:
 - Independent control of each LED using I²C and Flash enable pins
 - Each flash LED can be configured separately in flash, movie mode, or notification mode
 - Enables sophisticated flash management to optimize image quality
- Up to 90% efficiency
- Input voltage monitoring and dynamic flash current control with readback
- 2.75 MHz switching frequency
- Soft-start and input current limit
- Separate flash enable/flash inhibit
- Programmable blinking LED notification
- Fast Mode Plus 1 MHz I²C programming:
 - Flash and Movie mode (MM) current
 - Input voltage monitor with programmable thresholds
 - Current read-back in input voltage monitor operation
 - Programmable safety timer
 - Fault read back
- Fault protection:
 - Integrated flash safety timer
 - Over-voltage protection (open LED, open circuit)
 - Short circuit
 - Over-temperature protection
 - Programmable inductor current limit
 - Flash mode input voltage monitor
 - Open-drain fault output
- -40 °C to +85 °C temperature range
- Small WLCSP (20-bump, 1.75 mm × 2.30 mm, 0.4 mm pitch)

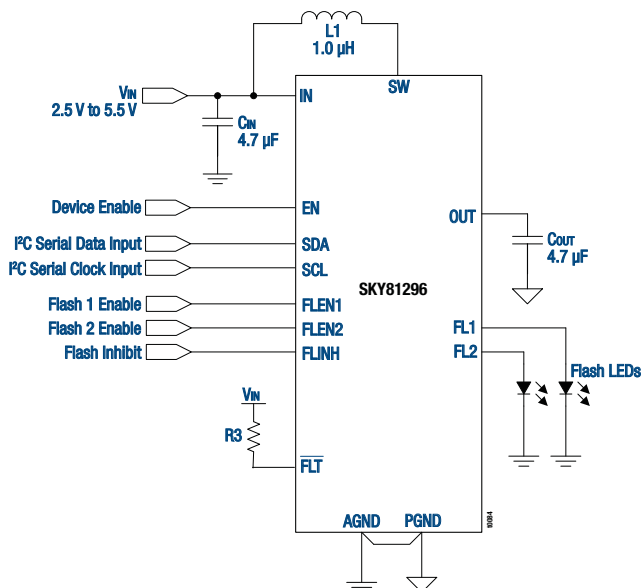


Figure 1. SKY81296 Typical Application Circuit



Skyworks Green™ products are compliant with all applicable legislation and are halogen-free. For additional information, refer to *Skyworks Definition of Green™*, document number SQ04-0074.

Ordering Information

Model Name	Package	Manufacturing Part Number	Evaluation Board Part Number
SKY81296 2.4 A Dual Flash LED Driver with I ² C Control Interface	1.75 mm × 2.30 mm, 20-bump WLCSP	SKY81296-11-001	SKY81296-EVB
SKY81296 2 A Dual Flash LED Driver with I ² C Control Interface	1.75 mm × 2.30 mm, 20-bump WLCSP	SKY81296-12-001	SKY81296-EVB

Copyright © 2014-2015 Skyworks Solutions, Inc. All Rights Reserved.

Information in this document is provided in connection with Skyworks Solutions, Inc. (“Skyworks”) products or services. These materials, including the information contained herein, are provided by Skyworks as a service to its customers and may be used for informational purposes only by the customer. Skyworks assumes no responsibility for errors or omissions in these materials or the information contained herein. Skyworks may change its documentation, products, services, specifications or product descriptions at any time, without notice. Skyworks makes no commitment to update the materials or information and shall have no responsibility whatsoever for conflicts, incompatibilities, or other difficulties arising from any future changes.

No license, whether express, implied, by estoppel or otherwise, is granted to any intellectual property rights by this document. Skyworks assumes no liability for any materials, products or information provided hereunder, including the sale, distribution, reproduction or use of Skyworks products, information or materials, except as may be provided in Skyworks Terms and Conditions of Sale.

THE MATERIALS, PRODUCTS AND INFORMATION ARE PROVIDED “AS IS” WITHOUT WARRANTY OF ANY KIND, WHETHER EXPRESS, IMPLIED, STATUTORY, OR OTHERWISE, INCLUDING FITNESS FOR A PARTICULAR PURPOSE OR USE, MERCHANTABILITY, PERFORMANCE, QUALITY OR NON-INFRINGEMENT OF ANY INTELLECTUAL PROPERTY RIGHT; ALL SUCH WARRANTIES ARE HEREBY EXPRESSLY DISCLAIMED. SKYWORKS DOES NOT WARRANT THE ACCURACY OR COMPLETENESS OF THE INFORMATION, TEXT, GRAPHICS OR OTHER ITEMS CONTAINED WITHIN THESE MATERIALS. SKYWORKS SHALL NOT BE LIABLE FOR ANY DAMAGES, INCLUDING BUT NOT LIMITED TO ANY SPECIAL, INDIRECT, INCIDENTAL, STATUTORY, OR CONSEQUENTIAL DAMAGES, INCLUDING WITHOUT LIMITATION, LOST REVENUES OR LOST PROFITS THAT MAY RESULT FROM THE USE OF THE MATERIALS OR INFORMATION, WHETHER OR NOT THE RECIPIENT OF MATERIALS HAS BEEN ADVISED OF THE POSSIBILITY OF SUCH DAMAGE.



Skyworks products are not intended for use in medical, lifesaving or life-sustaining applications, or other equipment in which the failure of the Skyworks products could lead to personal injury, death, physical or environmental damage. Skyworks customers using or selling Skyworks products for use in such applications do so at their own risk and agree to fully indemnify Skyworks for any damages resulting from such improper use or sale.

Customers are responsible for their products and applications using Skyworks products, which may deviate from published specifications as a result of design defects, errors, or operation of products outside of published parameters or design specifications. Customers should include design and operating safeguards to minimize these and other risks. Skyworks assumes no liability for applications assistance, customer product design, or damage to any equipment resulting from the use of Skyworks products outside of stated published specifications or parameters.

Skyworks, the Skyworks symbol, and “Breakthrough Simplicity” are trademarks or registered trademarks of Skyworks Solutions, Inc., in the United States and other countries. Third-party brands and names are for identification purposes only, and are the property of their respective owners. Additional information, including relevant terms and conditions, posted at www.skyworksinc.com, are incorporated by reference.

Looking for pricing, stock, or lifecycle information?

Click below to explore more details on WIN SOURCE:

-  [View SKY81296-11-001 on WIN SOURCE](#)
-  [Skyworks Solutions Inc. Information](#)

Optimize Your Supply Chain with WIN SOURCE Solutions

-  Global Sourcing Solution
-  Obsolete Management
-  Cost Control Management
-  Shortage Management
-  Alternative Solution
-  Excess Inventory Management