



THE DATASHEET OF 74ACT109SCX



74AC109, 74ACT109 Dual \overline{JK} Positive Edge-Triggered Flip-Flop

Features

- I_{CC} reduced by 50%
- Outputs source/sink 24mA
- ACT109 has TTL-compatible inputs

General Description

The AC/ACT109 consists of two high-speed completely independent transition clocked \overline{JK} flip-flops. The clocking operation is independent of rise and fall times of the clock waveform. The \overline{JK} design allows operation as a D-Type flip-flop (refer to AC/ACT74 data sheet) by connecting the J and \overline{K} inputs together.

Asynchronous Inputs:

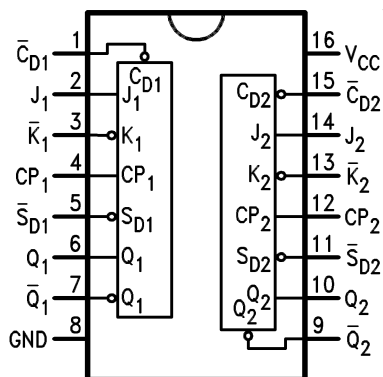
- LOW input to \overline{S}_D (Set) sets Q to HIGH level
- LOW input to \overline{C}_D (Clear) sets Q to LOW level
- Clear and Set are independent of clock
- Simultaneous LOW on \overline{C}_D and \overline{S}_D makes both Q and \overline{Q} HIGH

Ordering Information

| Order Number | Package Number | Package Description |
|--------------|----------------|--|
| 74AC109SC | M16A | 16-Lead Small Outline Integrated Circuit (SOIC), JEDEC MS-012, 0.150" Narrow |
| 74AC109SJ | M16D | 16-Lead Small Outline Package (SOP), EIAJ TYPE II, 5.3mm Wide |
| 74AC109MTC | MTC16 | 16-Lead Thin Shrink Small Outline Package (TSSOP), JEDEC MO-153, 4.4mm Wide |
| 74ACT109SC | M16A | 16-Lead Small Outline Integrated Circuit (SOIC), JEDEC MS-012, 0.150" Narrow |
| 74AC109MTC | MTC16 | 16-Lead Thin Shrink Small Outline Package (TSSOP), JEDEC MO-153, 4.4mm Wide |
| 74ACT109PC | N16E | 16-Lead Plastic Dual-In-Line Package (PDIP), JEDEC MS-001, 0.300" Wide |

Device also available in Tape and Reel. Specify by appending suffix letter "X" to the ordering number.

Connection Diagram

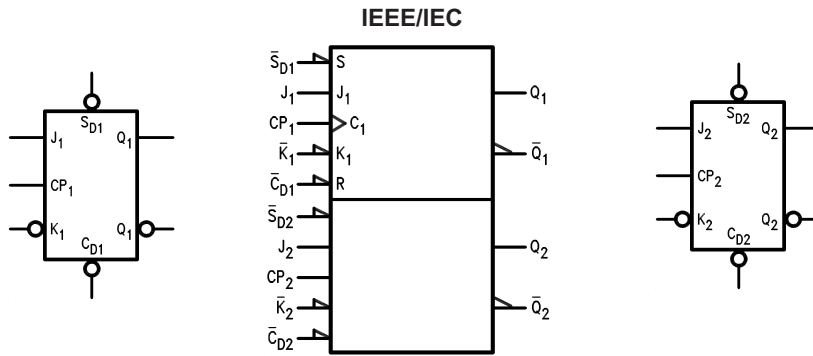


Pin Descriptions

| Pin Names | Description |
|--|---------------------|
| $J_1, J_2, \overline{K}_1, \overline{K}_2$ | Data Inputs |
| CP_1, CP_2 | Clock Pulse Inputs |
| $\overline{C}_{D1}, \overline{C}_{D2}$ | Direct Clear Inputs |
| $\overline{S}_{D1}, \overline{S}_{D2}$ | Direct Set Inputs |
| $Q_1, Q_2, \overline{Q}_1, \overline{Q}_2$ | Outputs |

FACT™ is a trademark of Fairchild Semiconductor Corporation.

Logic Symbols



Truth Table

Each half.

| Inputs | | | | | Outputs | |
|-------------|-------------|----|---|---|---------|-------------|
| \bar{S}_D | \bar{C}_D | CP | J | K | Q | \bar{Q} |
| L | H | X | X | X | H | L |
| H | L | X | X | X | L | H |
| L | L | X | X | X | H | H |
| H | H | ↗ | L | L | L | H |
| H | H | ↗ | H | L | Toggle | |
| H | H | ↗ | L | H | Q_0 | \bar{Q}_0 |
| H | H | ↗ | H | H | H | L |
| H | H | L | X | X | Q_0 | \bar{Q}_0 |

H = HIGH Voltage Level

L = LOW Voltage Level

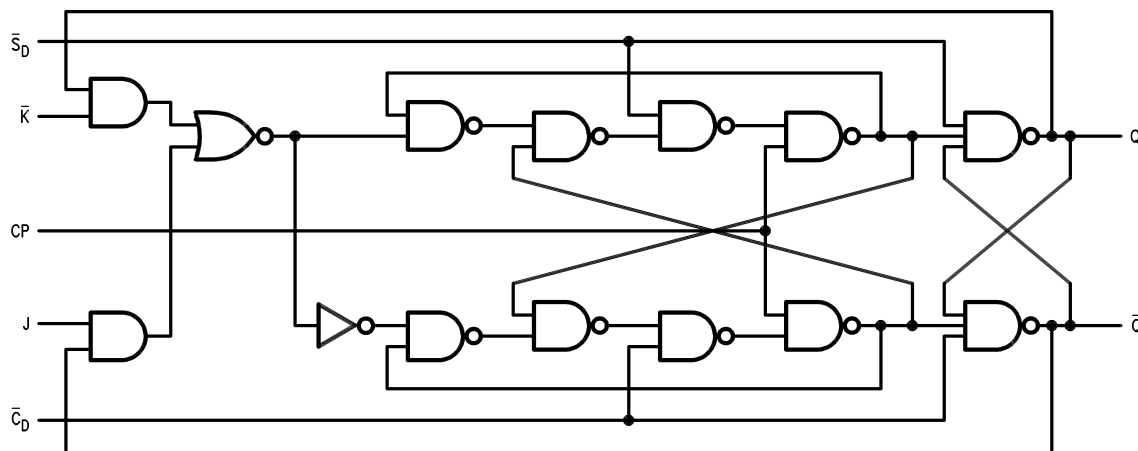
↗ = LOW-to-HIGH Transition

X = Immaterial

$Q_0(\bar{Q}_0)$ = Previous $Q_0(\bar{Q}_0)$ before LOW-to-HIGH Transition of Clock

Logic Diagram

One half shown.



Please note that this diagram is provided only for the understanding of logic operations and should not be used to estimate propagation delays.

Absolute Maximum Ratings

Stresses exceeding the absolute maximum ratings may damage the device. The device may not function or be operable above the recommended operating conditions and stressing the parts to these levels is not recommended. In addition, extended exposure to stresses above the recommended operating conditions may affect device reliability. The absolute maximum ratings are stress ratings only.

| Symbol | Parameter | Rating |
|-----------------------|---|--------------------------|
| V_{CC} | Supply Voltage | -0.5V to +7.0V |
| I_{IK} | DC Input Diode Current $V_I = -0.5V$ $V_I = V_{CC} + 0.5V$ | -20mA +20mA |
| V_I | DC Input Voltage | -0.5V to $V_{CC} + 0.5V$ |
| I_{OK} | DC Output Diode Current $V_O = -0.5V$ $V_O = V_{CC} + 0.5V$ | -20mA +20mA |
| V_O | DC Output Voltage | -0.5V to $V_{CC} + 0.5V$ |
| I_O | DC Output Source or Sink Current | $\pm 50mA$ |
| I_{CC} or I_{GND} | DC V_{CC} or Ground Current per Output Pin | $\pm 50mA$ |
| T_{STG} | Storage Temperature | -65°C to +150°C |
| T_J | Junction Temperature | 140°C |

Recommended Operating Conditions

The Recommended Operating Conditions table defines the conditions for actual device operation. Recommended operating conditions are specified to ensure optimal performance to the datasheet specifications. Fairchild does not recommend exceeding them or designing to absolute maximum ratings.

| Symbol | Parameter | Rating |
|-----------------------|--|------------------------------|
| V_{CC} | Supply Voltage AC ACT | 2.0V to 6.0V 4.5V to 5.5V |
| V_I | Input Voltage | 0V to V_{CC} |
| V_O | Output Voltage | 0V to V_{CC} |
| T_A | Operating Temperature | -40°C to +85°C |
| $\Delta V / \Delta t$ | Minimum Input Edge Rate, AC Devices: V_{IN} from 30% to 70% of V_{CC} , V_{CC} @ 3.3V, 4.5V, 5.5V | 125mV/ns |
| $\Delta V / \Delta t$ | Minimum Input Edge Rate, ACT Devices: V_{IN} from 0.8V to 2.0V, V_{CC} @ 4.5V, 5.5V | 125mV/ns |

DC Electrical Characteristics for AC

| Symbol | Parameter | V _{CC} (V) | Conditions | T _A = +25°C | | T _A = -40°C to +85°C | | Units | | |
|--------------------------------|---|------------------------|---|--|-------------------|---------------------------------|------|-------|------|--|
| | | | | Typ. | Guaranteed Limits | | | | | |
| V _{IH} | Minimum HIGH Level Input Voltage | 3.0 | V _{OUT} = 0.1V or V _{CC} - 0.1V | 1.5 | 2.1 | 2.1 | | V | | |
| | | 4.5 | | 2.25 | 3.15 | 3.15 | | | | |
| | | 5.5 | | 2.75 | 3.85 | 3.85 | | | | |
| V _{IL} | Maximum LOW Level Input Voltage | 3.0 | V _{OUT} = 0.1V or V _{CC} - 0.1V | 1.5 | 0.9 | 0.9 | | V | | |
| | | 4.5 | | 2.25 | 1.35 | 1.35 | | | | |
| | | 5.5 | | 2.75 | 1.65 | 1.65 | | | | |
| V _{OH} | Minimum HIGH Level Output Voltage | 3.0 | I _{OUT} = -50μA | 2.99 | 2.9 | 2.9 | | V | | |
| | | 4.5 | | 4.49 | 4.4 | 4.4 | | | | |
| | | 5.5 | | 5.49 | 5.4 | 5.4 | | | | |
| | | 3.0 | V _{IN} = V _{IL} or V _{IH} : I _{OH} = -12mA | | | 2.56 | 2.46 | | | |
| | | 4.5 | | I _{OH} = -24mA | | | 3.86 | | 3.76 | |
| | | 5.5 | | I _{OH} = -24mA ⁽¹⁾ | | | 4.86 | | 4.76 | |
| V _{OL} | Maximum LOW Level Output Voltage | 3.0 | I _{OUT} = 50μA | 0.002 | 0.1 | 0.1 | | V | | |
| | | 4.5 | | 0.001 | 0.1 | 0.1 | | | | |
| | | 5.5 | | 0.001 | 0.1 | 0.1 | | | | |
| | | 3.0 | V _{IN} = V _{IL} or V _{IH} : I _{OL} = 12mA | | | 0.36 | 0.44 | | | |
| | | 4.5 | | I _{OL} = 24mA | | | 0.36 | | 0.44 | |
| | | 5.5 | | I _{OL} = 24mA ⁽¹⁾ | | | 0.36 | | 0.44 | |
| I _{IN} ⁽³⁾ | Maximum Input Leakage Current | 5.5 | V _I = V _{CC} , GND | | ±0.1 | ±1.0 | | μA | | |
| I _{OLD} | Minimum Dynamic Output Current ⁽²⁾ | 5.5 | V _{OLD} = 1.65V Max. | | | 75 | | mA | | |
| I _{OHD} | | | V _{OHD} = 3.85V Min. | | | -75 | | mA | | |
| I _{CC} ⁽³⁾ | Maximum Quiescent Supply Current | 5.5 | V _{IN} = V _{CC} or GND | | 2.0 | 20.0 | | μA | | |

Notes:

1. All outputs loaded; thresholds on input associated with output under test.
2. Maximum test duration 2.0ms, one output loaded at a time.
3. I_{IN} and I_{CC} @ 3.0V are guaranteed to be less than or equal to the respective limit @ 5.5V V_{CC}.

DC Electrical Characteristics for ACT

| Symbol | Parameter | V _{CC} (V) | Conditions | T _A = +25°C | | T _A = -40°C to +85°C | | Units |
|------------------|---|------------------------|---|------------------------|-------------------|---------------------------------|--|-------|
| | | | | Typ. | Guaranteed Limits | | | |
| V _{IH} | Minimum HIGH Level Input Voltage | 4.5 | V _{OUT} = 0.1V or V _{CC} - 0.1V | 1.5 | 2.0 | 2.0 | | V |
| | | 5.5 | | 1.5 | 2.0 | 2.0 | | |
| V _{IL} | Maximum LOW Level Input Voltage | 4.5 | V _{OUT} = 0.1V or V _{CC} - 0.1V | 1.5 | 0.8 | 0.8 | | V |
| | | 5.5 | | 1.5 | 0.8 | 0.8 | | |
| V _{OH} | Minimum HIGH Level Output Voltage | 4.5 | I _{OUT} = -50μA | 4.49 | 4.4 | 4.4 | | V |
| | | 5.5 | | 5.49 | 5.4 | 5.4 | | |
| | | 4.5 | V _{IN} = V _{IL} or V _{IH} ; I _{OH} = -24mA | | 3.86 | 3.76 | | |
| | | 5.5 | I _{OH} = -24mA ⁽⁴⁾ | | 4.86 | 4.76 | | |
| V _{OL} | Maximum LOW Level Output Voltage | 4.5 | I _{OUT} = 50μA | 0.001 | 0.1 | 0.1 | | V |
| | | 5.5 | | 0.001 | 0.1 | 0.1 | | |
| | | 4.5 | V _{IN} = V _{IL} or V _{IH} ; I _{OL} = 24mA | | 0.36 | 0.44 | | |
| | | 5.5 | I _{OL} = 24mA ⁽⁴⁾ | | 0.36 | 0.44 | | |
| I _{IN} | Maximum Input Leakage Current | 5.5 | V _I = V _{CC} , GND | | ±0.1 | ± 1.0 | | μA |
| I _{CCT} | Maximum I _{CC} /Input | 5.5 | V _I = V _{CC} - 2.1V | 0.6 | | 1.5 | | mA |
| I _{OLD} | Minimum Dynamic Output Current ⁽⁵⁾ | 5.5 | V _{OLD} = 1.65V Max. | | | 75 | | mA |
| I _{OHD} | | | V _{OHD} = 3.85V Min. | | | -75 | | mA |
| I _{CC} | Maximum Quiescent Supply Current | 5.5 | V _{IN} = V _{CC} or GND | | 2.0 | 20.0 | | μA |

Notes:

- All outputs loaded; thresholds on input associated with output under test.
- Maximum test duration 2.0ms, one output loaded at a time.

AC Electrical Characteristics for AC

| Symbol | Parameter | V _{CC} (V) ⁽⁶⁾ | T _A = +25°C, C _L = 50pF | | | T _A = -40°C to +85°C, C _L = 50pF | | Units |
|------------------|---|------------------------------------|--|------|------|---|------|-------|
| | | | Min. | Typ. | Max. | Min. | Max. | |
| f _{MAX} | Maximum Clock Frequency | 3.3 | 125 | 150 | | 100 | | MHz |
| | | 5.0 | 150 | 175 | | 125 | | |
| t _{PLH} | Propagation Delay, CP _n to Q _n or \bar{Q}_n | 3.3 | 4.0 | 8.0 | 13.5 | 3.5 | 16.0 | ns |
| | | 5.0 | 2.5 | 6.0 | 10.0 | 2.0 | 10.5 | |
| t _{PHL} | Propagation Delay, CP _n to Q _n or \bar{Q}_n | 3.3 | 3.0 | 8.0 | 14.0 | 3.0 | 14.5 | ns |
| | | 5.0 | 2.0 | 6.0 | 10.0 | 1.5 | 10.5 | |
| t _{PLH} | Propagation Delay, \bar{C}_{Dn} or \bar{S}_{Dn} to Q _n or \bar{Q}_n | 3.3 | 3.0 | 8.0 | 12.0 | 2.5 | 13.0 | ns |
| | | 5.0 | 2.5 | 6.0 | 9.0 | 2.0 | 10.0 | |
| t _{PHL} | Propagation Delay, \bar{C}_{Dn} or \bar{S}_{Dn} to Q _n or \bar{Q}_n | 3.3 | 3.0 | 10.0 | 12.0 | 3.0 | 13.5 | ns |
| | | 5.0 | 2.0 | 7.5 | 9.5 | 2.0 | 10.5 | |

Note:

6. Voltage range 3.3 is 3.3V ± 0.3V. Voltage range 5.0 is 5.0V ± 0.5V.

AC Operating Requirements for AC

| Symbol | Parameter | V _{CC} (V) ⁽⁷⁾ | T _A = +25°C, C _L = 50pF | | T _A = -40°C to +85°C, C _L = 50 pF | | Units |
|------------------|--|------------------------------------|--|--------------------|--|--|-------|
| | | | Typ. | Guaranteed Minimum | | | |
| t _S | Setup Time, HIGH or LOW, J _n or \bar{K}_n to CP _n | 3.3 | 3.5 | 6.5 | 7.5 | | ns |
| | | 5.0 | 2.0 | 4.5 | 5.0 | | |
| t _H | Hold Time, HIGH or LOW, J _n or \bar{K}_n to CP _n | 3.3 | -1.5 | 0 | 0 | | ns |
| | | 5.0 | -0.5 | 0.5 | 0.5 | | |
| t _W | Pulse Width, \bar{C}_{Dn} or \bar{S}_{Dn} | 3.3 | 2.0 | 7.0 | 7.5 | | ns |
| | | 5.0 | 2.0 | 4.5 | 5.0 | | |
| t _{REC} | Recovery Time, \bar{C}_{Dn} or \bar{S}_{Dn} to CP _n | 3.3 | -2.5 | 0 | 0 | | ns |
| | | 5.0 | -1.5 | 0 | 0 | | |

Note:

7. Voltage range 3.3 is 3.3V ± 0.3V. Voltage range 5.0 is 5.0V ± 0.5V

AC Electrical Characteristics for ACT

| Symbol | Parameter | V _{CC} (V) ⁽⁸⁾ | T _A = +25°C, C _L = 50pF | | | T _A = -40°C to +85°C, C _L = 50pF | | Units |
|------------------|---|------------------------------------|--|------|------|---|------|-------|
| | | | Min. | Typ. | Max. | Min. | Max. | |
| f _{MAX} | Maximum Clock Frequency | 5.0 | 145 | 210 | | 125 | | MHz |
| t _{PLH} | Propagation Delay, CP _n to Q _n or \bar{Q}_n | 5.0 | 4.0 | 7.0 | 11.0 | 3.5 | 13.0 | ns |
| t _{PHL} | Propagation Delay, CP _n to Q _n or \bar{Q}_n | 5.0 | 3.0 | 6.0 | 10.0 | 2.5 | 11.5 | ns |
| t _{PLH} | Propagation Delay, \bar{C}_{Dn} or \bar{S}_{Dn} to Q _n or \bar{Q}_n | 5.0 | 2.5 | 5.5 | 9.5 | 2.0 | 10.5 | ns |
| t _{PHL} | Propagation Delay | 5.0 | 2.5 | 6.0 | 10.0 | 2.0 | 11.5 | ns |
| | \bar{C}_{Dn} or \bar{S}_{Dn} to Q _n or \bar{Q}_n | | | | | | | |

Note:

8. Voltage range 5.0 is 5.0V ± 0.5V

AC Operating Requirements for ACT

| Symbol | Parameter | V _{CC} (V) ⁽⁹⁾ | T _A = +25°C, C _L = 50pF | | T _A = -40°C to +85°C, C _L = 50pF | | Units |
|------------------|--|------------------------------------|--|--------------------|---|--|-------|
| | | | Typ. | Guaranteed Minimum | | | |
| t _S | Setup Time, HIGH or LOW, J _n or \bar{K}_n to CP _n | 5.0 | 0.5 | 2.0 | 2.5 | | ns |
| t _H | Hold Time, HIGH or LOW, J _n or \bar{K}_n to CP _n | 5.0 | 0 | 2.0 | 2.0 | | ns |
| t _W | Pulse Width, CP _n or \bar{C}_{Dn} or \bar{S}_{Dn} | 5.0 | 3.0 | 5.0 | 6.0 | | ns |
| t _{rec} | Recovery Time, \bar{C}_{Dn} or \bar{S}_{Dn} to CP _n | 5.0 | -2.5 | 0 | 0 | | ns |

Note:

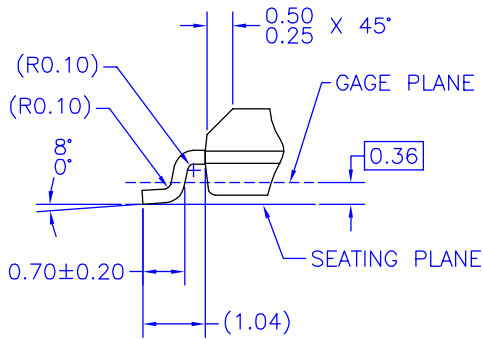
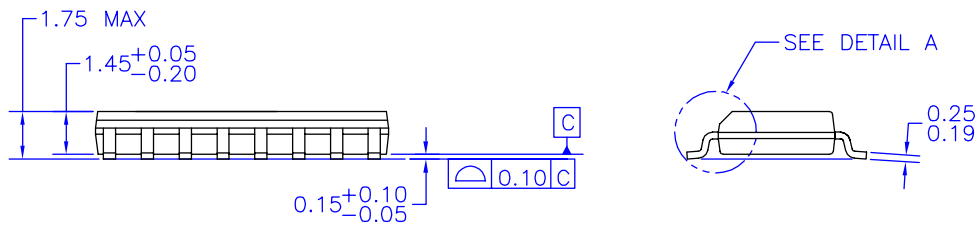
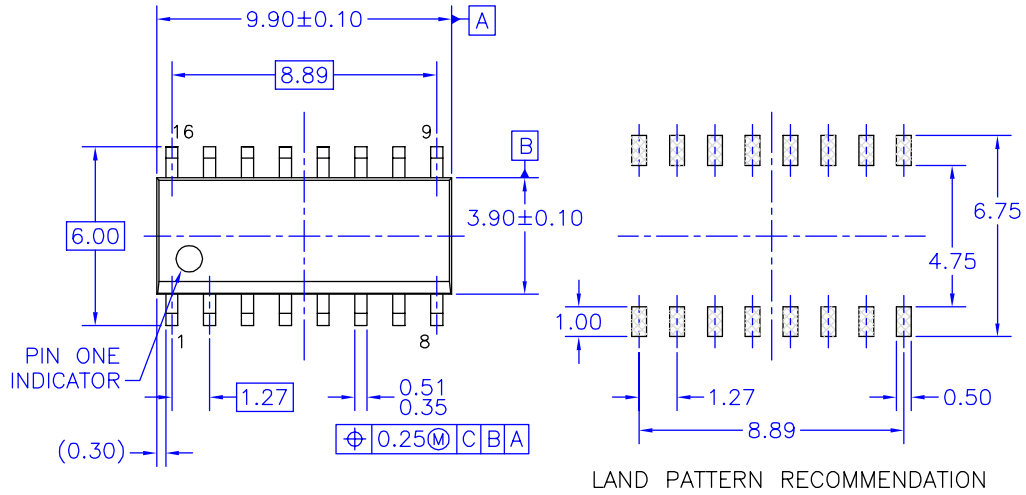
9. Voltage range 5.0 is 5.0V ± 0.5V

Capacitance

| Symbol | Parameter | Conditions | Typ. | Units |
|-----------------|-------------------------------|------------------------|------|-------|
| C _{IN} | Input Capacitance | V _{CC} = OPEN | 4.5 | pF |
| C _{PD} | Power Dissipation Capacitance | V _{CC} = 5.0V | 35.0 | pF |

Physical Dimensions

Dimensions are in millimeters unless otherwise noted.



DETAIL A
SCALE: 2:1

NOTES: UNLESS OTHERWISE SPECIFIED

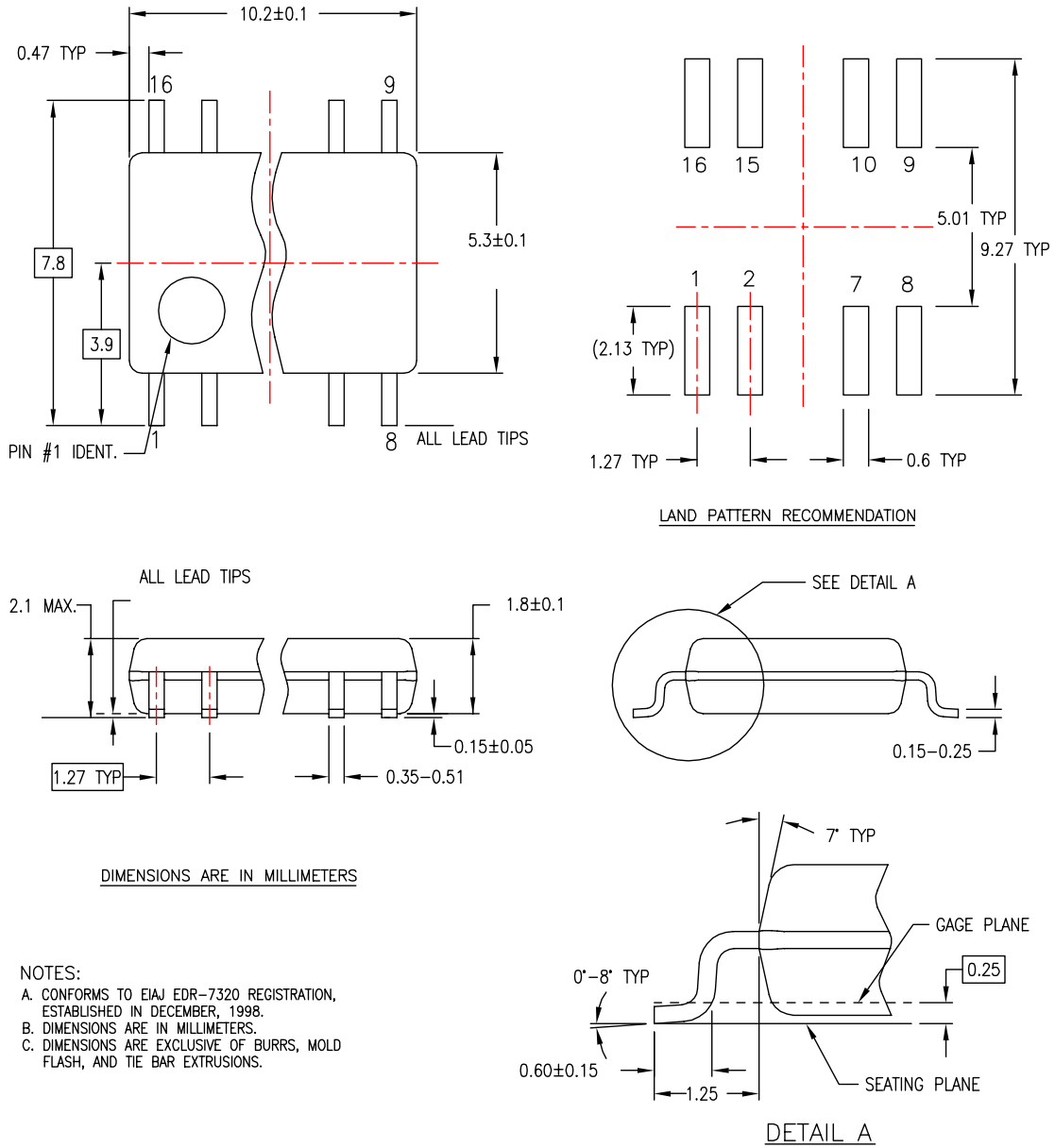
- A) THIS PACKAGE CONFORMS TO JEDEC MS-012, VARIATION AC, ISSUE C, DATED MAY 1990.
- B) ALL DIMENSIONS ARE IN MILLIMETERS.
- C) DIMENSIONS DO NOT INCLUDE MOLD FLASH OR BURRS.
- D) STANDARD LEAD FINISH:
200 MICRONS / 5.08 MICRONS MIN. LEAD/TIN (SOLDER) ON COPPER.

M16AREVK

Figure 1. 16-Lead Small Outline Integrated Circuit (SOIC), JEDEC MS-012, 0.150" Narrow Package Number M16A

Physical Dimensions (Continued)

Dimensions are in millimeters unless otherwise noted.



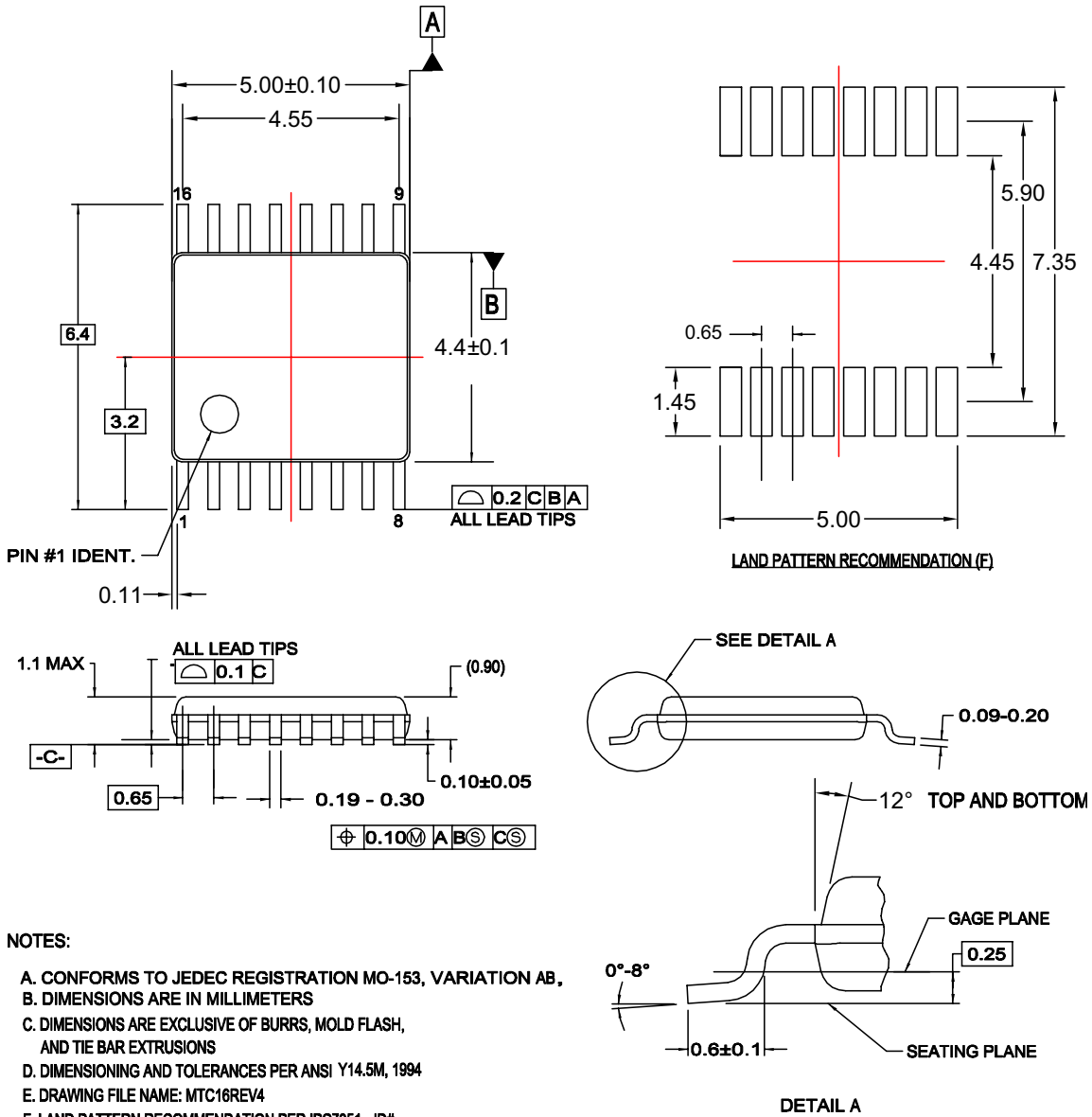
- NOTES:
- A. CONFORMS TO EIAJ EDR-7320 REGISTRATION, ESTABLISHED IN DECEMBER, 1998.
 - B. DIMENSIONS ARE IN MILLIMETERS.
 - C. DIMENSIONS ARE EXCLUSIVE OF BURRS, MOLD FLASH, AND TIE BAR EXTRUSIONS.

M16DREVC

Figure 2. 16-Lead Small Outline Package (SOP), EIAJ TYPE II, 5.3mm Wide Package Number M16D

Physical Dimensions (Continued)

Dimensions are in millimeters unless otherwise noted.



NOTES:

- A. CONFORMS TO JEDEC REGISTRATION MO-153, VARIATION AB,
- B. DIMENSIONS ARE IN MILLIMETERS
- C. DIMENSIONS ARE EXCLUSIVE OF BURRS, MOLD FLASH, AND TIE BAR EXTRUSIONS
- D. DIMENSIONING AND TOLERANCES PER ANSI Y14.5M, 1994
- E. DRAWING FILE NAME: MTC16REV4
- F. LAND PATTERN RECOMMENDATION PER IPC7351 - ID# TSOP65P640X110-16N

MTC16rev4

Figure 3. 16-Lead Thin Shrink Small Outline Package (TSSOP), JEDEC MO-153, 4.4mm Wide Package Number MTC16

Physical Dimensions (Continued)

Dimensions are in inches (millimeters) unless otherwise noted.

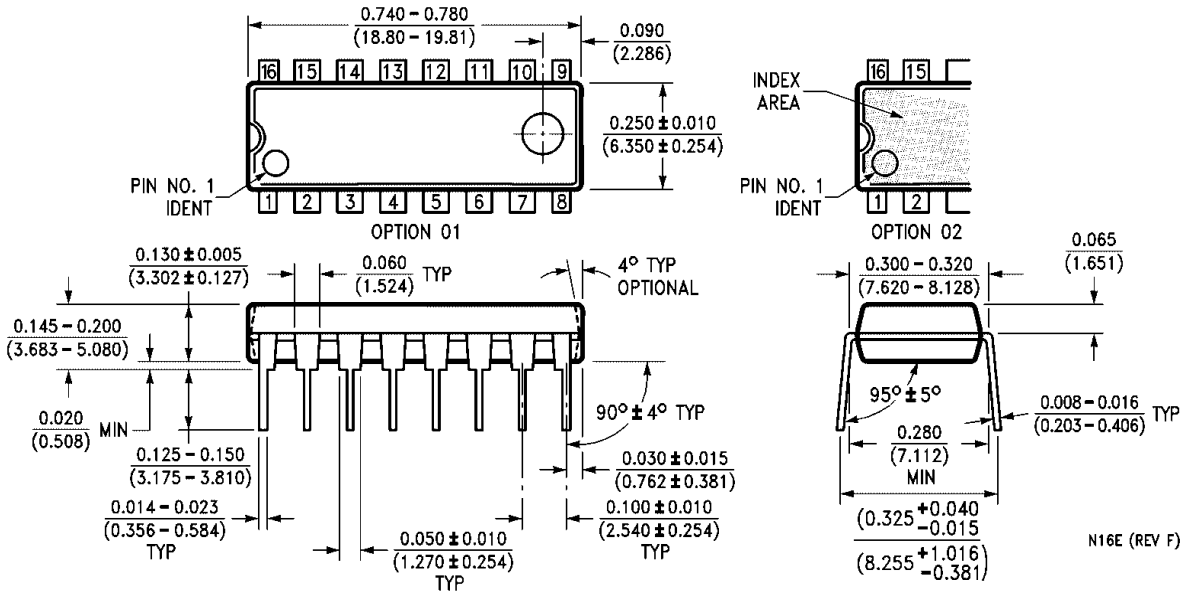


Figure 4. 16-Lead Plastic Dual-In-Line Package (PDIP), JEDEC MS-001, 0.300" Wide Package Number N16E

TRADEMARKS

The following are registered and unregistered trademarks Fairchild Semiconductor owns or is authorized to use and is not intended to be an exhaustive list of all such trademarks.

| | | | |
|--|--------------------------------|---|-----------------------------|
| ACEx [®] | HiSeC [™] | Programmable Active Droop [™] | TinyLogic [®] |
| Across the board. Around the world. [™] | <i>i-Lo</i> [™] | QFET [®] | TINYOPTO [™] |
| ActiveArray [™] | ImpliedDisconnect [™] | QS [™] | TinyPower [™] |
| Bottomless [™] | IntelliMAX [™] | QT Optoelectronics [™] | TinyWire [™] |
| Build it Now [™] | ISOPLANAR [™] | Quiet Series [™] | TruTranslation [™] |
| CoolFET [™] | MICROCOUPLER [™] | RapidConfigure [™] | μSerDes [™] |
| CROSSVOLT [™] | MicroPak [™] | RapidConnect [™] | UHC [®] |
| CTL [™] | MICROWIRE [™] | ScalarPump [™] | UniFET [™] |
| Current Transfer Logic [™] | MSX [™] | SMART START [™] | VCX [™] |
| DOME [™] | MSXPro [™] | SPM [®] | Wire [™] |
| E ² CMOS [™] | OCX [™] | STEALTH [™] | |
| EcoSPARK [®] | OCXPro [™] | SuperFET [™] | |
| EnSigna [™] | OPTOLOGIC [®] | SuperSOT [™] -3 | |
| FACT Quiet Series [™] | OPTOPLANAR [®] | SuperSOT [™] -6 | |
| FACT [®] | PACMAN [™] | SuperSOT [™] -8 | |
| FAST [®] | POP [™] | SyncFET [™] | |
| FASTr [™] | Power220 [®] | TCM [™] | |
| FPS [™] | Power247 [®] | The Power Franchise [®] | |
| FRFET [®] | PowerEdge [™] |  ™ | |
| GlobalOptoisolator [™] | PowerSaver [™] | TinyBoost [™] | |
| GTO [™] | PowerTrench [®] | TinyBuck [™] | |

DISCLAIMER

FAIRCHILD SEMICONDUCTOR RESERVES THE RIGHT TO MAKE CHANGES WITHOUT FURTHER NOTICE TO ANY PRODUCTS HEREIN TO IMPROVE RELIABILITY, FUNCTION OR DESIGN. FAIRCHILD DOES NOT ASSUME ANY LIABILITY ARISING OUT OF THE APPLICATION OR USE OF ANY PRODUCT OR CIRCUIT DESCRIBED HEREIN; NEITHER DOES IT CONVEY ANY LICENSE UNDER ITS PATENT RIGHTS, NOR THE RIGHTS OF OTHERS. THESE SPECIFICATIONS DO NOT EXPAND THE TERMS OF FAIRCHILD'S WORLDWIDE TERMS AND CONDITIONS, SPECIFICALLY THE WARRANTY THEREIN, WHICH COVERS THESE PRODUCTS.

LIFE SUPPORT POLICY

FAIRCHILD'S PRODUCTS ARE NOT AUTHORIZED FOR USE AS CRITICAL COMPONENTS IN LIFE SUPPORT DEVICES OR SYSTEMS WITHOUT THE EXPRESS WRITTEN APPROVAL OF FAIRCHILD SEMICONDUCTOR CORPORATION.

As used herein:

1. Life support devices or systems are devices or systems which, (a) are intended for surgical implant into the body or (b) support or sustain life, and (c) whose failure to perform when properly used in accordance with instructions for use provided in the labeling, can be reasonably expected to result in a significant injury of the user.
2. A critical component in any component of a life support, device, or system whose failure to perform can be reasonably expected to cause the failure of the life support device or system, or to affect its safety or effectiveness.

PRODUCT STATUS DEFINITIONS

Definition of Terms

| Datasheet Identification | Product Status | Definition |
|--------------------------|------------------------|--|
| Advance Information | Formative or In Design | This datasheet contains the design specifications for product development. Specifications may change in any manner without notice. |
| Preliminary | First Production | This datasheet contains preliminary data; supplementary data will be published at a later date. Fairchild Semiconductor reserves the right to make changes at any time without notice to improve design. |
| No Identification Needed | Full Production | This datasheet contains final specifications. Fairchild Semiconductor reserves the right to make changes at any time without notice to improve design. |
| Obsolete | Not In Production | This datasheet contains specifications on a product that has been discontinued by Fairchild Semiconductor. The datasheet is printed for reference information only. |

Rev. I24

Looking for pricing, stock, or lifecycle information?

Click below to explore more details on WIN SOURCE:

 [View 74ACT109SCX on WIN SOURCE](#)

 [Fairchild/ON Semiconductor](#) Information

Optimize Your Supply Chain with WIN SOURCE Solutions

-  Global Sourcing Solution
-  Obsolete Management
-  Cost Control Management
-  Shortage Management
-  Alternative Solution
-  Excess Inventory Management